

# Built-in Oven

## Installation Manual

HBE5453UC



**BOSCH**

Invented for life



# Table of Contents

<b>▲ Safety Definitions</b> .....	<b>3</b>	<b>Removing Packaging</b> .....	<b>5</b>
<b>IMPORTANT SAFETY INSTRUCTIONS</b> .....	<b>4</b>	<b>Dimensions and Cabinet Requirements</b> .....	<b>6</b>
Appliance Handling Safety .....	4	Appliance Dimensions .....	6
Safety Codes and Standards .....	4	Cabinet Dimensions .....	6
Electric Safety .....	4	<b>Install Appliance</b> .....	<b>7</b>
Related Equipment Safety .....	4	Electrical Installation .....	7
Proposition 65 Warning: .....	4	Mount to cabinet .....	8
Transport .....	4	Check the Installation .....	8
<b>Before you begin</b> .....	<b>5</b>	<b>Bosch® Support</b> .....	<b>9</b>
Tools and parts needed .....	5	Before Calling Service .....	9
Parts included .....	5	Data Plate .....	9
Power Requirements .....	5	Service .....	9
Preparing the units .....	5	Parts and Accessories .....	9

This Bosch Appliance is made by  
BSH Home Appliances Corporation  
1901 Main Street, Suite 600  
Irvine, CA 92614

Questions?

1-800-944-2904

[www.bosch-home.com/us](http://www.bosch-home.com/us)

We look forward to hearing from you!

---

## Safety Definitions

---

### WARNING

---

This indicates that death or serious injuries may occur as a result of non-observance of this warning.

---

---

### CAUTION

---

This indicates that minor or moderate injuries may occur as a result of non-observance of this warning.

---

**NOTICE:** This indicates that damage to the appliance or property may occur as a result of non-compliance with this advisory.

**Note:** This alerts you to important information and/or tips.

# ⚠ IMPORTANT SAFETY INSTRUCTIONS

## READ AND SAVE THESE INSTRUCTIONS

### WARNING

If the information in this manual is not followed exactly, fire or shock may result causing property damage or personal injury.

### WARNING

Do not repair, replace or remove any part of the appliance unless specifically recommended in the manuals. Improper installation, service or maintenance can cause injury or property damage. Refer to this manual for guidance. All other servicing should be done by an authorized servicer.

## Appliance Handling Safety

Unit is heavy and requires at least two people or proper equipment to move.

Do not lift appliance by door handle.



Hidden surfaces may have sharp edges. Use caution when reaching behind or under appliance.

## Safety Codes and Standards

This appliance complies with the latest version of one or more of the following standards:

- CAN/CSA C22.2 No. 61 - Household Cooking Ranges
- UL 858 - Household Electric Ranges
- CAN/CSA C22.2 No. 150 - Microwave Ovens
- UL 923 - Microwave Cooking Appliances
- CSA C22.2 No. 64 - Household Cooking and Liquid-Heating Appliances
- UL 1026 - Electric Household Cooking and Food Serving Appliances

It is the responsibility of the owner and the installer to determine if additional requirements and/or standards apply to specific installations.

## Electric Safety

### WARNING

Before you plug in an electrical cord or turn on power supply, make sure all controls are in the OFF position.

If required by the National Electrical Code (or Canadian Electrical Code), this appliance must be installed on a separate branch circuit.

Installer – show the owner the location of the circuit breaker or fuse. Mark it for easy reference.

INSTALLER: LEAVE THESE INSTRUCTIONS WITH THE APPLIANCE AFTER INSTALLATION IS COMPLETE.

IMPORTANT: SAVE THESE INSTRUCTIONS FOR THE LOCAL ELECTRICAL INSPECTOR'S USE.

Before installing, turn power OFF at the service panel. Lock service panel to prevent power from being turned ON accidentally.

Refer to data plate for more information. See “Data Plate” under “Service” for data plate location.

Be sure your appliance is properly installed and grounded by a qualified technician. Installation, electrical connections and grounding must comply with all applicable codes.

## Related Equipment Safety

Remove all tape and packaging before using the appliance. Destroy the packaging after unpacking the appliance. Never allow children to play with packaging material

Never modify or alter the construction of the appliance. For example, do not remove leveling legs, panels, wire covers or anti-tip brackets/screws.

Before starting up the appliance, remove any packaging material and adhesive film from the cooking compartment and the door.

## Proposition 65 Warning:

This product may contain a chemical known to the State of California, which can cause cancer or reproductive harm. Therefore, the packaging of your product may bear the following label as required by California:

### STATE OF CALIFORNIA PROPOSITION 65 WARNING:

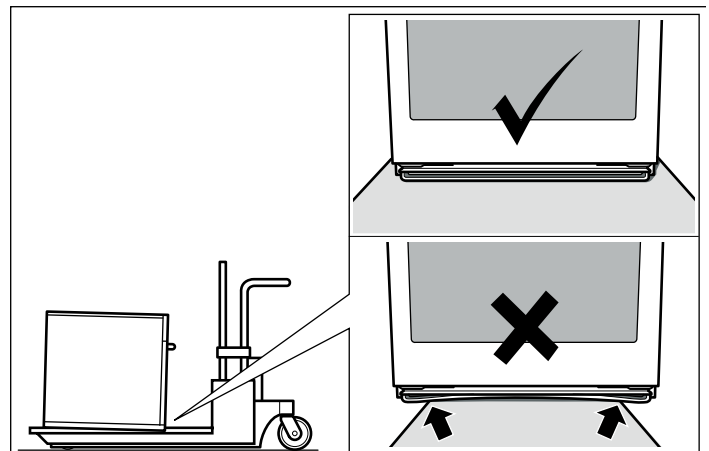


**WARNING**

Cancer and Reproductive Harm - [www.P65Warnings.ca.gov](http://www.P65Warnings.ca.gov)

## Transport

To avoid damage to the oven vent, use the transport method shown in the picture below.



---

# Before you begin

## Tools and parts needed

- Philips head screwdriver
- 1/8" drill bit and drill
- Measuring tape

## Parts included

Built-in oven

## Power Requirements

The outlet must be properly grounded in accordance with all applicable codes.

## Preparing the units

- Safe use of this appliance can only be guaranteed if it has been installed professionally in accordance with these installation instructions. The installer shall be liable for damages incurred as a result of incorrect installation.
- Fitted units must be heat-resistant up to 195°F (90°C), and adjacent unit fronts up to 160°F (70°C).
- Cut-out work on the units and worktop should be performed before fitting the appliances. Remove any shavings as they may impair the function of the electrical components.

---

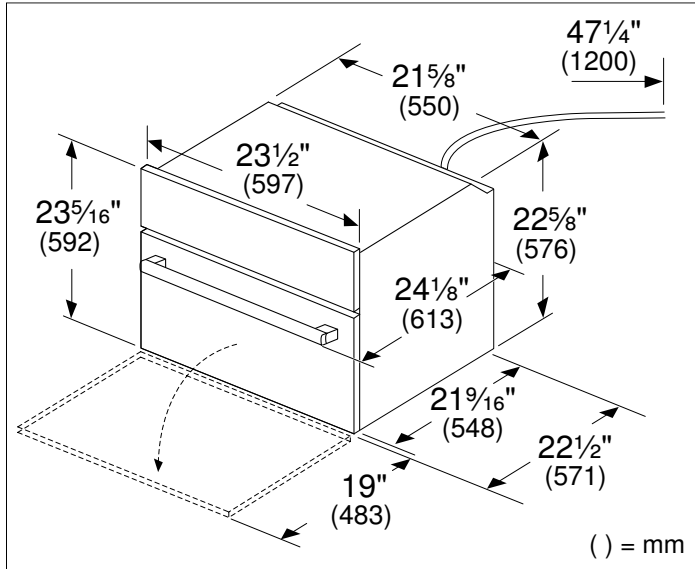
# Removing Packaging

**NOTICE:** To prevent damage to your floor keep the unit in its packaging base until ready to be placed in the cabinet opening. Do not slide the unit across the flooring. Different models use different packaging materials. Actual brackets may look differently. Bracket remains in packaging base.

1. Cut straps on outside of box.
2. Remove cardboard box.
3. Remove all top and side cardboard and Styrofoam braces.
4. Place oven in front of cabinets where it is to be installed.

# Dimensions and Cabinet Requirements

## Appliance Dimensions



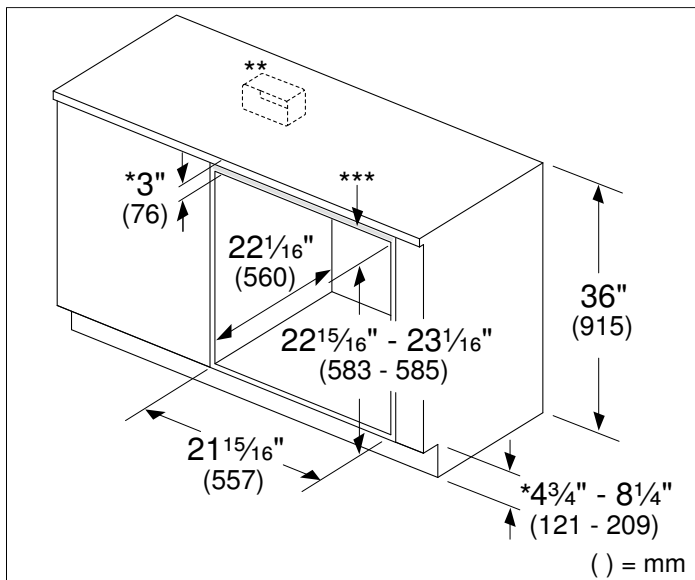
## Cabinet Dimensions

### General Cabinet Requirements

All models require:

- $\frac{1}{4}"$  (6.4 mm) space between the side of the appliance and an adjacent wall or cabinet door when installed at the end of a cabinet run.
- The cabinet base must be flat and capable of supporting a weight of at least 150 lbs (68 kg).

### Unit under the counter

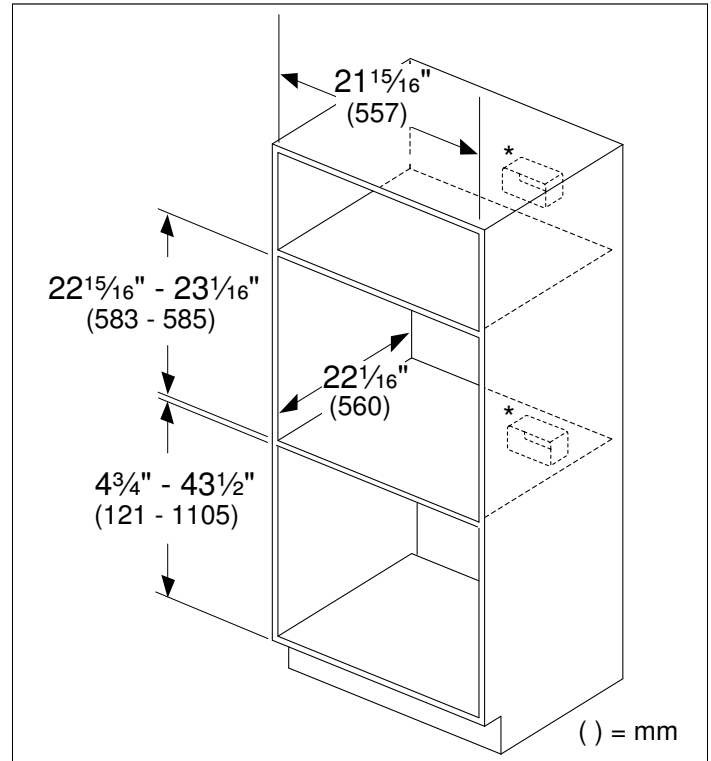


- \* Includes  $\frac{3}{4}"$  (19 mm) base plate
- \*\* For singel ovens installed under a countertop, the junction box may be located to the left, or the right of the unit, within reach of the power conduit.

\*\*\* This part of furniture must be present, straight and have no gap with the lateral parts. The minimum height is  $\frac{3}{8}"$  (9 mm).

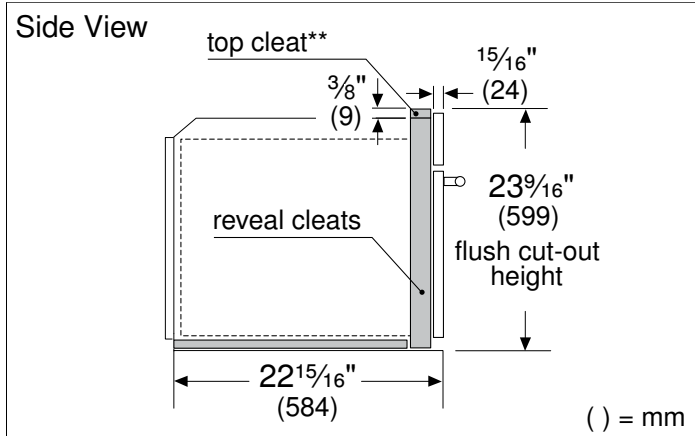
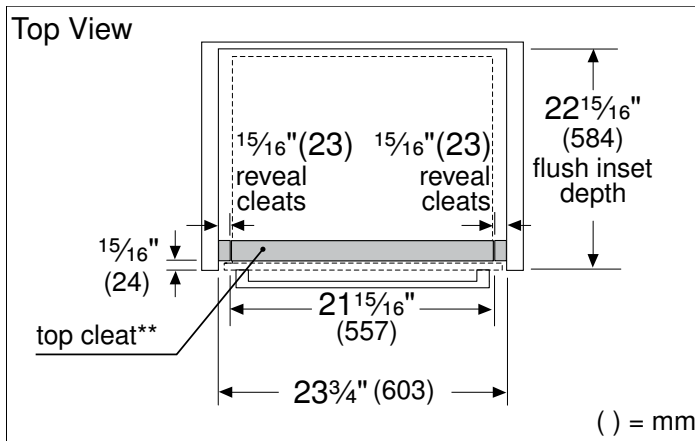
If the built-in oven is installed underneath a cooktop, pay attention to the installation instructions of the cooktop.

### Wall mounted unit



\* For wall installations, the junction box may be located above or below the unit within reach of the power conduit.

## Flush installation



- \* Flush installation requires a  $\frac{3}{16}$ " (5 mm) high x  $21\frac{15}{16}$ " (557 mm) wide x  $22\frac{1}{16}$ " (560 mm) deep baseplate underneath the unit body.
- \*\* Flush installation under the counter requires a top cleats  $\frac{3}{8}$ " (9 mm) high x  $21\frac{15}{16}$ " (557 mm) wide. This part of furniture must be present, straight and have no gap with the lateral parts.

## Install Appliance

### Electrical Installation

All model ovens on the front cover are dual rated, designed to be connected to either 208/240V AC, 60 Hz, 4 wire, single-phase power supply.

Model	Dedicated circuit required
HBE5453UC	20 AMP

The electrical supply should be a 4-wire single-phase AC. Install a suitable conduit box (not furnished). An appropriately-sized, UL-listed conduit connector must be used to correctly attach the conduit to the junction box.

**NOTICE:** Local Codes may vary; installation, electrical connections and grounding must comply with all applicable local codes.

If local codes permit grounding through the electrical supply neutral, connect both the white neutral wire and the bare ground wire from the oven to the white neutral electrical supply wire.

### CAUTION

- The appliance must be disconnected from the power supply during all installation work.
- The appliance must only be connected with the power cable provided.
- Protection against contact must be ensured by the installation.

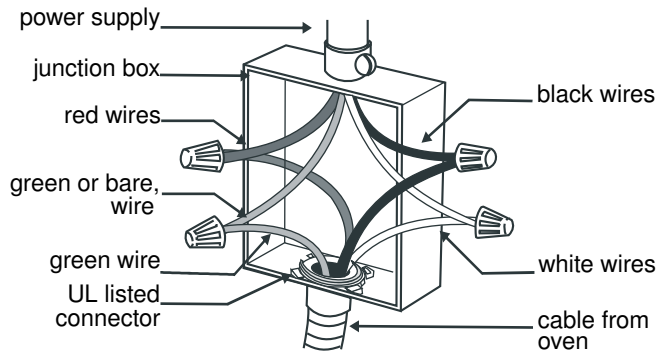
### Electrical Connection

The four-wire connection is preferred, but where local codes permit, the three wire connection is also acceptable.

### WARNING

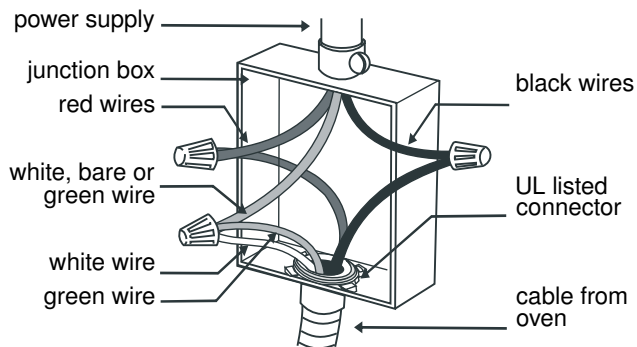
When connected to a 4 or 5-wire, 120/208-Volt 3-phase power supply, the phase C conductor is not required for the operation of the appliance.

## Four-wire Connection Ungrounded Neutral



- Connect the red oven wire to the red electrical supply wire (hot wire).
- Connect the black oven wire to the black electrical supply wire (hot wire).
- Connect the white neutral oven wire to the white neutral (not bare or green ground) electrical supply wire.
- Connect the green ground oven wire to the bare or green ground electrical supply wire.

## Three-wire Connection Grounded Neutral



- Connect red wire from oven to red wire in junction box.
- Connect black wire from oven to black wire in junction box.
- Connect both green ground wire and white wire from oven to white, green or bare neutral wire in junction box.

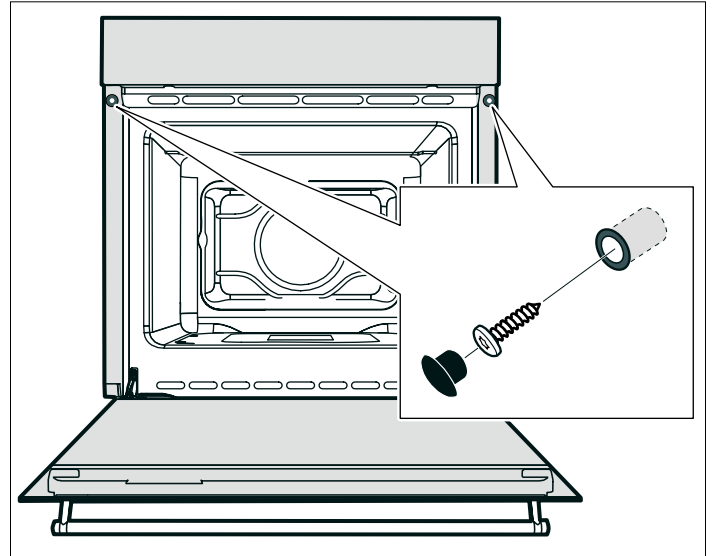
The conduit cable, where connected at the oven, swivels. Rotate conduit cable upward (or downward) and direct through hole prepared in cabinet to attach to junction box.

To maintain serviceability, the flex conduit must not be shortened and should be routed to permit temporary removal of the oven.

## Mount to cabinet

**NOTICE:** Before installing the appliance, be sure to verify the cabinet dimensions and electrical connections.

**Note:** The appliance is heavy. It is advisable to install it with a second person.



1. Fully insert the appliance and centre it.

**NOTICE:** Do not kink the connecting cable or route it over sharp edges.

2. Remove the rubber profiles.
3. In the holes there are plastic sleeves which are required for fastening.
4. Secure the appliance to the cabinet using 2 screws.
5. Reinsert the rubber profiles.

## Check the Installation

### ▲ WARNING

Before you plug in an electrical cord or turn on power supply, make sure all controls are in the OFF position.

Switch on the circuit breaker.

Verify that elements function properly.



# Bosch® Support

## Before Calling Service

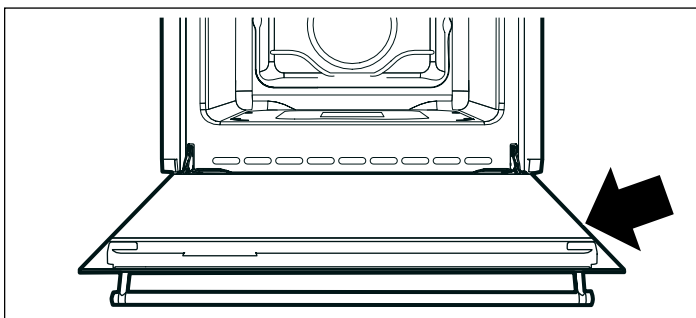
See the Use and Care Manual for troubleshooting information. Refer to the “Statement of Limited Product Warranty” in the Use and Care Manual.

To reach a service representative, see the contact information at the front of the manual or in the following section. Please be prepared with the information printed on your product rating label prior to calling.

## Data Plate

The data plate shows the model and serial number. Refer to the data plate on the appliance when requesting service.

The data plate can be found at the right side of the appliance door.



To avoid having to search for each piece of information when calling, you can enter the four items needed in the spaces provided below.

---

**Model No.**

---

**FD-No.**

---

**Date of Purchase**

---

**Customer Service** ☎

---

Keep your invoice or escrow papers for warranty validation if service is needed.

## Service

We realize that you have made a considerable investment in your kitchen. We are dedicated to supporting you and your appliance so that you have many years of creative cooking.

Please don't hesitate to contact our Customer Support Department if you have any questions or in the unlikely event that your Bosch® appliance needs service. Our service team is ready to assist you.

### USA

800-944-2904

[www.bosch-home.com/us/support](http://www.bosch-home.com/us/support)

### Canada

800-944-2904

[www.bosch-home.ca/en/support](http://www.bosch-home.ca/en/support)

## Parts and Accessories

Parts, filters, descalers, stainless steel cleaners and more can be purchased in the Bosch® eShop or by phone.

### USA

[www.bosch-home.com/us/store](http://www.bosch-home.com/us/store)

### Canada

Marcone 800-482-6022

or

Reliable Parts 800-941-9217

# Table des matières

<b>▲ Définitions de sécurité .....</b>	<b>11</b>	<b>Exigences en matière de dimensions et d'armoire ..</b>	<b>15</b>
<b>IMPORTANTES CONSIGNES DE SÉCURITÉ .....</b>	<b>12</b>	Dimensions de l'appareil .....	15
Sécurité de manutention des appareils .....	12	Dimensions de la découpe des armoires .....	15
Codes et normes de sécurité .....	12	<b>Installation de l'appareil .....</b>	<b>16</b>
Sécurité électrique .....	12	Installation électrique .....	16
Sécurité apparentée concernant l'équipement .....	12	Installation sur un caisson .....	17
Avertissement issu de la proposition 65 : .....	13	Vérification de l'installation .....	17
Transport .....	13	<b>Soutien Bosch® .....</b>	<b>18</b>
<b>Avant de commencer .....</b>	<b>14</b>	Avant d'appeler le service de réparations .....	18
Outils et pièces nécessaires .....	14	Plaque signalétique .....	18
Pièces comprises .....	14	Service .....	18
Exigences électriques .....	14	Pièces et accessoires .....	18
Préparation du meuble .....	14		
<b>Pour enlever l'emballage .....</b>	<b>14</b>		

Cet appareil électroménager Bosch est fabriqué par  
BSH Home Appliances Corporation  
1901 Main Street, Suite 600  
Irvine, CA 92614

**Vous avez des questions?**

**1 800 944-2904**

[www.bosch-home.com/us](http://www.bosch-home.com/us)

Nous nous ferons un plaisir de vous servir!

---

## Définitions de sécurité

---

### AVERTISSEMENT

---

Ceci indique que le non-respect de cet avertissement peut entraîner des blessures graves, voire la mort.

---

---

### ATTENTION

---

Ceci indique que le non-respect de cet avertissement peut entraîner des blessures légères ou de gravité moyenne.

---

**AVIS :** Ceci indique que la non-conformité à cet avis de sécurité peut entraîner des dégâts matériels ou endommager l'appareil.

**Remarque :** Ceci vous signale des informations et/ou indications importantes.

# **IMPORTANTES CONSIGNES DE SÉCURITÉ**

## LIRE ET CONSERVER CES INSTRUCTIONS

---

### AVERTISSEMENT

---

Si l'information de ce guide n'est pas suivie exactement, il peut en résulter un incendie ou un choc électrique causant des dommages à la propriété, des blessures ou la mort.

---

---

### AVERTISSEMENT

---

Ne réparez, remplacez, ni ne retirez aucune partie de l'appareil, excepté si les manuels recommandent de le faire. Une installation, un entretien ou une inspection incorrects peuvent occasionner des blessures ou des dommages matériels. Reportez-vous au présent manuel pour obtenir des indications. Toute autre intervention doit être effectuée par un technicien agréé.

---

### Sécurité de manutention des appareils

Cet appareil est lourd et il faut au moins deux personnes ou l'équipement approprié pour le déplacer.

Ne pas soulever l'appareil par la poignée de la porte.



Certaines surfaces peuvent avoir des bords tranchants. Faire attention en étendant le bras derrière l'appareil ou en dessous.

### Codes et normes de sécurité

Cet appareil est conforme aux plus récentes versions de l'une ou plus des normes suivantes :

- CAN/CSA C22.2 No. 61 - Cuisinières pour usage ménager (Household Cooking Ranges)
- UL 858 - Cuisinières électriques domestiques (Household Electric Ranges)
- CAN/CSA C22.2 No. 150 - Fours à micro-ondes (Microwave Ovens)
- UL 923 - Appareils de cuisson à micro-ondes (Microwave Cooking Appliances)
- CSA C22.2 No. 64 - Appareils de cuisson domestique et de chauffage des liquides (Household Cooking and Liquid-Heating Appliances)
- UL 1026 - Appareils électriques domestiques pour la cuisson et la préparation des aliments (Electric Household Cooking and Food Serving Appliances)

Il incombe au propriétaire et à l'installateur de déterminer si des exigences et/ou normes additionnelles s'appliquent pour des installations spécifiques.

### Sécurité électrique

---

#### AVERTISSEMENT

---

Avant tout raccordement de cordon électrique ou toute mise sous tension, assurez-vous que toutes les commandes sont en position OFF (d'arrêt).

---

S'il y a lieu, conformément au Code national de l'électricité (ou au Code canadien de l'électricité), cet appareil doit être installé sur un circuit de dérivation séparé.

Installateur – Indiquer au propriétaire l'emplacement du disjoncteur ou du fusible. Identifier sa position pour pouvoir le retrouver facilement.

**INSTALLATEUR : LAISSEZ CES INSTRUCTIONS AVEC L'APPAREIL APRÈS UNE FOIS L'INSTALLATION TERMINÉE.**

**IMPORTANT : CONSERVER CES INSTRUCTIONS POUR L'USAGE DE L'INSPECTEUR ÉLECTRIQUE LOCAL.**

Avant l'installation, mettre l'appareil hors service au panneau de service. Verrouiller le panneau d'entrée d'électricité pour éviter que le courant ne soit accidentellement rétabli.

Pour plus d'informations, se reporter à la plaque signalétique. Pour connaître l'emplacement de la plaque signalétique, voir "Plaque signalétique" sous "Entretien". S'assurer que l'appareil est installé et mis à la terre par un technicien qualifié. L'installation, les connexions électriques et la mise à la terre doivent être conformes à tous les codes applicables.

### Sécurité apparentée concernant l'équipement

Retirer le ruban adhésif et l'emballage avant d'utiliser l'appareil. Détruire l'emballage après avoir déballé l'appareil. Ne jamais laisser les enfants jouer avec les matériaux de conditionnement.

Ne jamais modifier ni altérer la configuration de l'appareil. Par exemple, ne pas retirer les pieds de nivellement, les panneaux, les couvercles de câblage ou les fixations/vis antibasculement.

Avant d'allumer l'appareil, retirez tout matériel d'emballage ou pellicule adhésive du compartiment de cuisson et de la porte.

# ⚠ **IMPORTANTES CONSIGNES DE SÉCURITÉ**

## LIRE ET CONSERVER CES INSTRUCTIONS

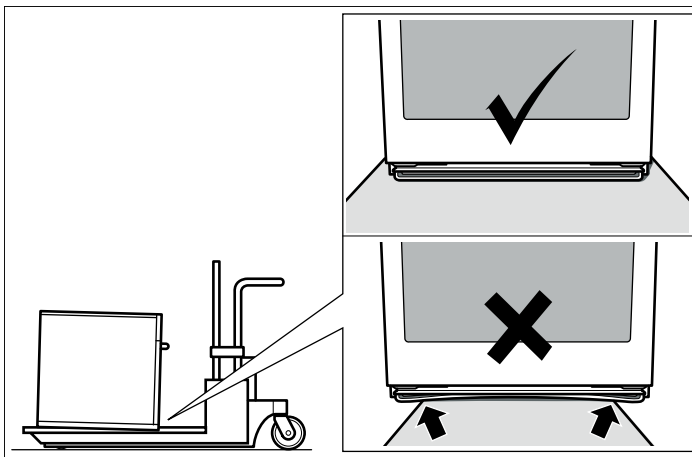
### **Avertissement issu de la proposition 65 :**

Ce produit pourrait contenir un produit chimique reconnu par l'État de la Californie comme cancérigène ou ayant des effets nocifs sur la reproduction. Par conséquent, l'emballage de votre produit pourrait porter l'étiquette suivante, comme requis par la Californie :

**AVERTISSEMENT ISSUE DE LA PROPOSITION 65 DE L'ÉTAT DE LA CALIFORNIE :**  
**⚠ AVERTISSEMENT**  
Cancer et dommages à la reproduction  
[www.P65Warnings.ca.gov](http://www.P65Warnings.ca.gov)

### **Transport**

Pour éviter tout dommage à l'événement du four, utiliser la méthode de transport illustrée ci-dessous.



---

# Avant de commencer

## Outils et pièces nécessaires

- Tournevis cruciforme
- Mèche de 1/8 po (3 mm) et perceuse
- Ruban à mesurer

## Pièces comprises

Four encastré

## Exigences électriques

La prise doit être correctement reliée à la terre selon tous les codes applicables.

## Préparation du meuble

- Uniquement une installation effectuée selon cette notice de montage garantit une utilisation en toute sécurité. En cas de dommages résultant d'une installation incorrecte, l'installateur est responsable.
- Les meubles d'encastrement doivent résister à une température jusqu'à 90 °C, la façade des meubles voisins jusqu'à 70 °C.
- Effectuer tous les travaux de découpe sur le meuble et sur le plan de travail avant d'encastrer les appareils. Retirer les copeaux, ils peuvent compromettre le bon fonctionnement des composants électriques.

---

# Pour enlever l'emballage

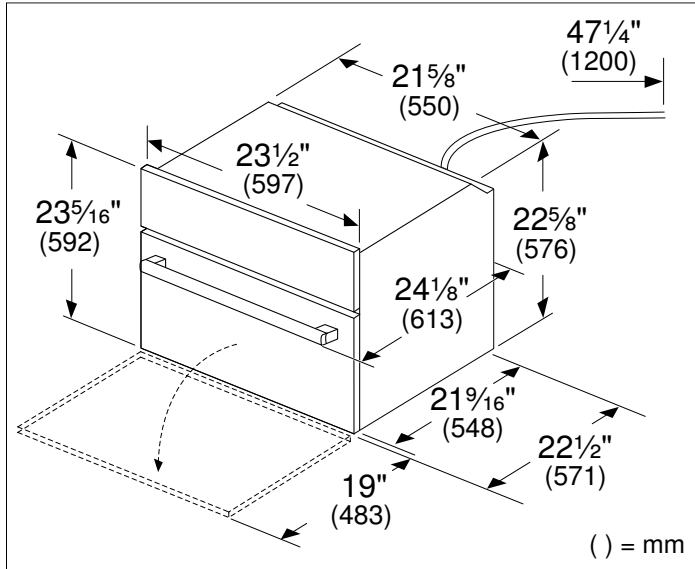
**AVIS :** Pour éviter d'endommager le plancher, laissez l'unité dans la portion inférieure de l'emballage jusqu'au moment de le placer dans l'ouverture de l'armoire. Ne pas faire glisser l'unité sur le plancher.

Différents emballages sont employés selon les modèles. Les supports peuvent avoir l'air différents. Les supports restent dans la base de l'emballage.

1. Couper les attaches à l'extérieur de la boîte.
2. Enlever la boîte de carton.
3. Retirer le carton sur le dessus et sur les côtés ainsi que les pièces d'arrimage en styromousse.
4. Placez le four devant l'armoire à l'endroit où il sera installé.

# Exigences en matière de dimensions et d'armoire

## Dimensions de l'appareil



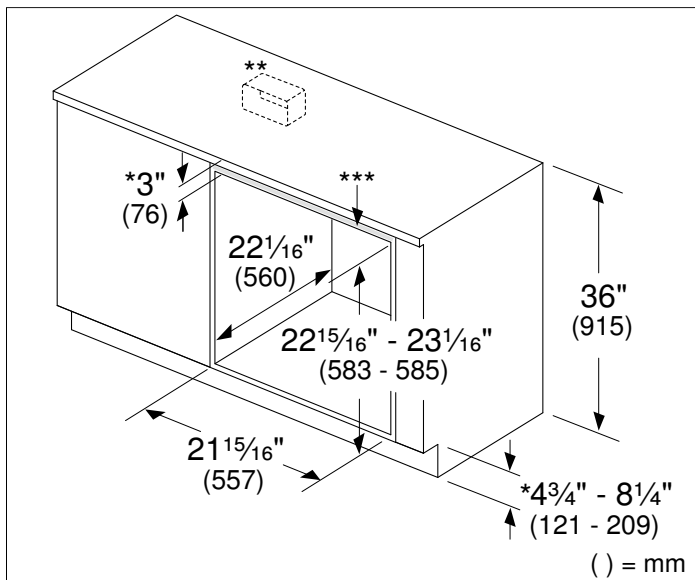
## Dimensions de la découpe des armoires

### Exigences générales concernant le meuble

Tous les modèles exigent :

- Un espace de 1/4 po (6.4 mm) entre la paroi latérale du four et le mur adjacent ou la porte de l'armoire s'il l'unité est installée à la fin d'une série d'armoire.
- La base du caisson doit être plate et capable de supporter un poids d'au moins 150 lb (68 kg).

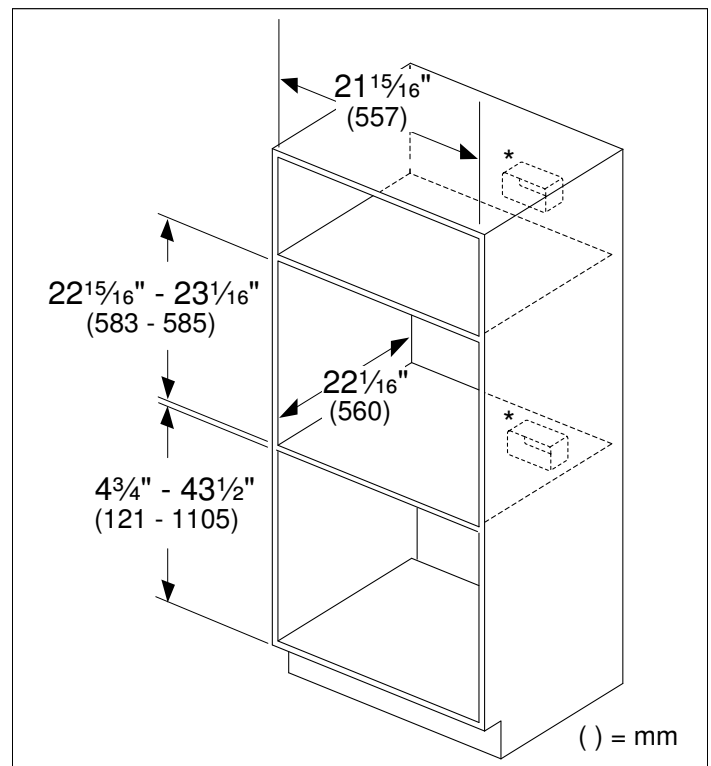
### Unité sous le comptoir



- \* Comprend une plaque de base de 3/4 po (19 mm)
- \*\* Pour les fours simples installés sous un comptoir, la boîte de jonction peut être située à la gauche ou à la droite de l'appareil, à portée du câble d'alimentation.
- \*\*\* Cette partie de meubles doit être présent, droite et sans espace avec les parties latérales. La hauteur minimale est de 3/8 po (9 mm).

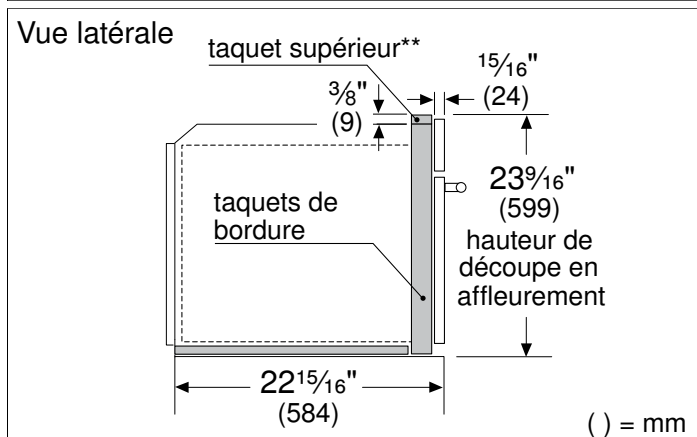
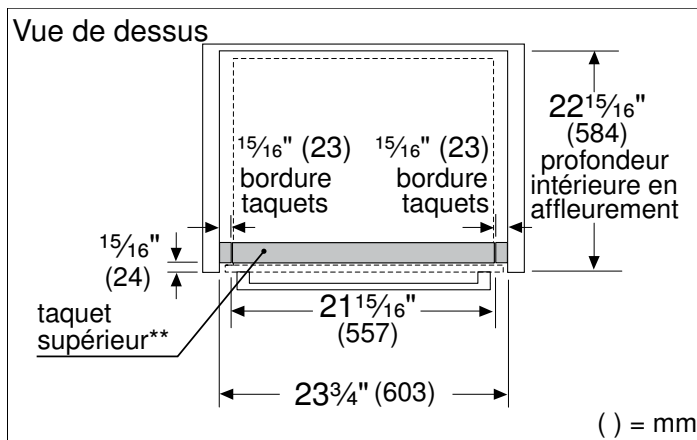
Si le four encastrable est encastré sous une table de cuisson, respecter la notice de montage de la table de cuisson.

### Unité murale



- \* Pour les installations sur un mur, la boîte de jonction peut être située au-dessus ou en dessous de l'appareil, à portée du câble d'alimentation.

## Installation affleurante



\* Une installation en affleurement nécessite une plaque de base d'une hauteur de  $\frac{3}{16}$  po (5 mm), d'une largeur de  $21\frac{15}{16}$  po (557 mm) et d'une profondeur de  $22\frac{1}{16}$  po (560 mm) sous la partie principale de l'unité.

\*\* Une installation en affleurement en dessous du comptoir nécessite un taquet supérieur d'une hauteur de  $\frac{3}{8}$  po (9 mm), d'une largeur de  $21\frac{15}{16}$  po (557 mm). Cette partie de meubles doit être présente, droite et sans espace avec les parties latérales.

## Installation de l'appareil

### Installation électrique

Tous les modèles de four mentionnés sur la couverture avant du guide d'installation sont à double intensité et désignés pour le branchement sur un réseau électrique monophasé à 4 fils de 208/240 V c.a., 60 Hz.

Modèle	Circuit dédié requis
HBE5453UC	20 A

L'alimentation électrique doit être un courant alternatif monophasé à 4 fils. Installez une boîte de dérivation appropriée (non fournie). Un raccord de conduit homologué UL de calibre approprié doit être utilisé pour fixer correctement le conduit à la boîte de jonction.

**AVIS :** Les codes locaux peuvent varier; l'installation, les raccordements électriques et la mise à la terre doivent se conformer à tous les codes locaux en vigueur.

Si les codes locaux autorisent la mise à la terre au moyen d'un point neutre d'alimentation électrique, raccordez à la fois le fil neutre blanc et le fil de terre dénudé du four au fil d'alimentation électrique neutre blanc.

### ⚠ ATTENTION

- Pour tous les travaux de montage, l'appareil doit être mis hors tension
- L'appareil doit uniquement être raccordé au moyen du câble de raccordement fourni.
- L'encastrement doit garantir la protection contre les contacts accidentels.

### Raccordement électrique

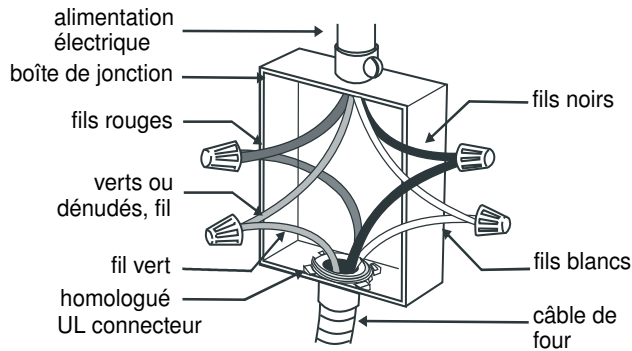
La connexion de circuit terminal à 4 fils est recommandée, mais là où les codes le permettent, la connexion à 3 fils est acceptable.

### ⚠ AVERTISSEMENT

Pour un raccordement à une source d'alimentation triphasée de 120/208 V à 4 ou 5 fils, le conducteur de phase C n'est pas requis pour faire fonctionner l'appareil.

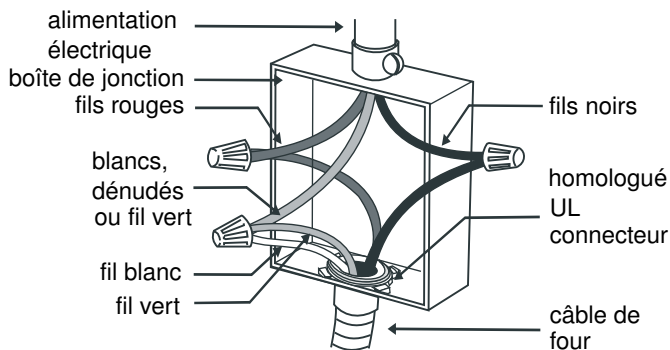


## Raccordement à quatre fils Neutre non mis à la terre



- Raccordez le fil rouge du four au fil d'alimentation électrique rouge (fil sous tension).
- Raccordez le fil noir du four au fil d'alimentation électrique noir (fil sous tension).
- Raccordez le fil neutre blanc du four au fil d'alimentation électrique neutre blanc (pas au fil de mise à la terre nu ou vert).
- Raccordez le fil de mise à la terre vert du four au fil de mise à la terre nu ou vert de l'alimentation électrique.

## Raccordement à trois fils Neutre mis à la terre



- Raccordez le fil rouge du four au fil rouge dans la boîte de raccordement.
- Raccordez le fil noir du four au fil noir dans la boîte de raccordement.
- Branchez le fil vert de mise à la terre et le fil blanc du four au fil blanc, vert ou dénudé mis à la terre dans la boîte de raccordement.

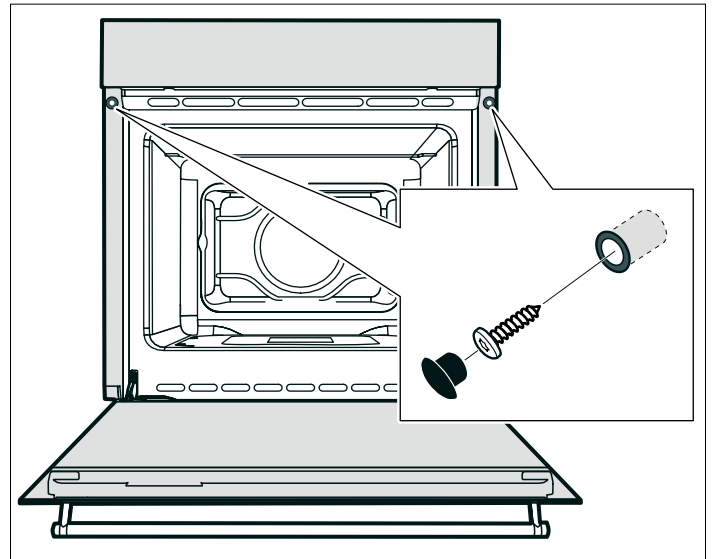
Le câble de raccordement, au niveau du four, pivote. Faites pivoter le câble de raccordement vers le haut (ou vers le bas) et faites passer celui-ci à travers le trou préparé dans l'armoire pour le fixer à la boîte de raccordement.

Pour faciliter l'entretien, le conduit flexible ne doit pas être raccourci et doit être acheminé de manière à faciliter le déplacement provisoire du four.

## Installation sur un caisson

**AVIS :** Avant d'installer l'appareil, prendre soin de vérifier la dimension du coffret et les raccordements électriques.

**Remarque :** L'appareil est lourd. Pour l'insérer dans la découpe, faite-vous aider par une autre personne.



1. Gerät ganz einschieben und mittig ausrichten.

**AVIS :** Anschlussleitungen und -kabel nicht knicken oder mit scharfen Kanten in Berührung bringen.

2. Abdeckgummis entfernen.
3. In den Bohrungen befinden sich Kunststoffhülsen, die zur Befestigung erforderlich sind.
4. Gerät mit 2 Schrauben am Einbaumöbel befestigen.
5. Abdeckgummis wieder einsetzen.

## Vérification de l'installation

### ▲ AVERTISSEMENT

Avant tout raccordement de cordon électrique ou toute mise sous tension, assurez-vous que toutes les commandes sont en position OFF (d'arrêt).

Mettre le disjoncteur en circuit.

Vérifier que les éléments fonctionnent correctement.

# Soutien Bosch®

## Avant d'appeler le service de réparations

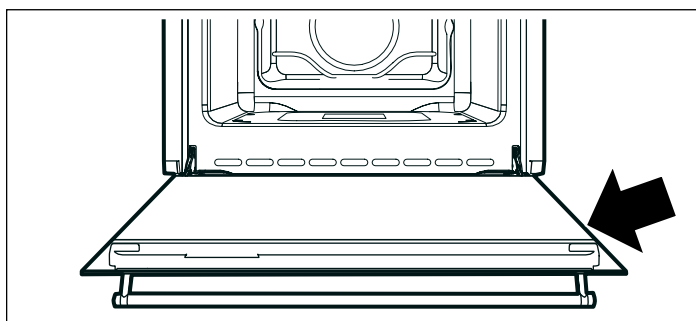
Consultez le manuel d'utilisation et d'entretien pour les renseignements de dépannage. Consultez l'« Énoncé de garantie limitée du produit » dans le manuel d'utilisation et d'entretien.

Pour communiquer avec un représentant en réparations, consultez les coordonnées au début du manuel ou dans la section qui suit. Lorsque vous téléphonez, soyez prêt à fournir les informations imprimées sur l'étiquette de cote du produit.

## Plaque signalétique

La plaque signalétique affiche le modèle et le numéro de série. Consultez la plaque signalétique de l'appareil lorsque vous sollicitez une réparation.

La plaque signalétique se trouve sur le côté droit à l'intérieur de la porte de l'appareil.



Pour éviter de devoir chercher chaque information lors de votre appel, vous pouvez inscrire les quatre éléments requis dans les espaces fournis ci-dessous.

---

**Numéro de modèle**

---

**Numéro FD**

---

**Date d'achat**

---

**Service après-vente** ☎

---

Conservez votre facture ou votre contrat aux fins de validation de garantie si jamais vous avez besoin d'une réparation.

## Service

Nous réalisons que vous avez effectué un investissement considérable dans votre cuisine. Nous nous engageons à offrir tout le support dont vous et votre appareil avez besoin afin que vous puissiez profiter pleinement de votre appareil.

Ne pas hésiter à contacter notre département de service à la clientèle si vous avez des questions ou dans le cas peu probable que votre appareil Bosch® ait besoin d'entretien. Notre équipe de service est prête à vous aider.

### USA

800-944-2904

[www.bosch-home.com/us/support](http://www.bosch-home.com/us/support)

### Canada

800-944-2904

[www.bosch-home.ca/en/support](http://www.bosch-home.ca/en/support)

## Pièces et accessoires

Les pièces, les filtres, les décalamineuses, les nettoyeurs en acier inoxydable et plus encore peuvent être achetés dans le magasin en ligne Bosch ou par téléphone.

### USA

[www.bosch-home.com/us/store](http://www.bosch-home.com/us/store)

### Canada

Marcone 800-482-6022

ou

Reliable Parts 800-941-9217

# Índice

<b>▲ Definiciones de seguridad .....</b>	<b>20</b>	<b>Quitar el embalaje .....</b>	<b>23</b>
<b>INSTRUCCIONES DE SEGURIDAD IMPORTANTES .</b>	<b>21</b>	<b>Dimensiones y requisitos del gabinete .....</b>	<b>24</b>
Seguridad de manejo del electrodoméstico .....	21	Dimensiones del electrodoméstico .....	24
Códigos y normas de seguridad .....	21	Dimensiones del hueco para el gabinete .....	24
Seguridad eléctrica .....	21	<b>Montaje del electrodoméstico .....</b>	<b>25</b>
Seguridad de los equipos relacionados .....	21	Instalación eléctrica .....	25
Advertencia en virtud de la Proposición 65: .....	22	Unidad empotrada en gabinete .....	26
Transporte .....	22	Pruebe la instalación .....	26
<b>Antes de empezar .....</b>	<b>23</b>	<b>Soporte de Bosch® .....</b>	<b>27</b>
Herramientas y piezas necesarias .....	23	Antes de llamar al servicio técnico .....	27
Piezas incluidas .....	23	Placa de características .....	27
Requisitos de electricidad .....	23	Servicio técnico .....	27
Preparación de los muebles .....	23	Piezas y accesorios .....	27

Este electrodoméstico de Bosch es hecho por  
BSH Home Appliances Corporation  
1901 Main Street, Suite 600  
Irvine, CA 92614

¿Preguntas?

1-800-944-2904

[www.bosch-home.com/us](http://www.bosch-home.com/us)

¡Esperamos oír de usted!

---

## Definiciones de seguridad

---

### **ADVERTENCIA**

Esto indica que pueden producirse heridas graves o incluso la muerte si no se cumple con esta advertencia.

---

---

### **ATENCION**

Esto indica que pueden producirse heridas leves o moderadas si no se cumple con esta advertencia.

---

**AVISO:** Esto indica que pueden producirse daños en el aparato o en los bienes si no se cumple con este aviso.

**Nota:** Esto alerta sobre información o sugerencias importantes.

# INSTRUCCIONES DE SEGURIDAD IMPORTANTES

## LEA Y CONSERVE ESTAS INSTRUCCIONES

### ADVERTENCIA

Si no sigue la información de este manual exactamente, se puede ocasionar un incendio o una descarga eléctrica que puede causar daños materiales o lesiones personales.

### ADVERTENCIA

No reparar, sustituir ni quitar ninguna pieza del electrodoméstico a menos que se recomiende de forma específica en los manuales. Una instalación, servicio o mantenimiento inadecuados pueden causar lesiones o daños materiales. Consultar este manual para recibir ayuda. Todos los demás servicios debe realizarlos un agente autorizado.

## Seguridad de manejo del electrodoméstico

La unidad es pesada y se requieren al menos dos personas o un equipo adecuado para trasladarla. No levante el electrodoméstico tomándolo del asa de la puerta.



Las superficies ocultas pueden tener bordes filosos. Proceda con cuidado al intentar tomar el electrodoméstico por la parte trasera o desde abajo.

## Códigos y normas de seguridad

Este electrodoméstico cumple con la última versión de una o varias de las siguientes normas:

- CAN/CSA C22.2 No. 61 - Estufas de uso doméstico (Household Cooking Ranges)
- UL 858 - Estufas eléctricas de uso doméstico (Household Electric Ranges)
- CAN/CSA C22.2 N.º 150 - Hornos de microondas (Microwave Ovens)
- UL 923 - Electrodomésticos de cocción por microondas (Microwave Cooking Appliances)
- CSA C22.2 N.º 64 - Electrodomésticos para cocinar y para calentar líquidos de uso doméstico (Household Cooking and Liquid-Heating Appliances)
- UL 1026 - Electrodomésticos para cocinar y para servir alimentos eléctricos de uso doméstico (Electric Household Cooking and Food Serving Appliances)

Es responsabilidad del propietario y del instalador determinar si se aplican otros requisitos o normas en instalaciones específicas.

## Seguridad eléctrica

### ADVERTENCIA

Antes de enchufar un cable eléctrico o activar el suministro eléctrico, asegurarse de que todos los controles están en la posición OFF.

Si el Código Nacional Eléctrico (o el Código Eléctrico Canadiense) así lo requiere, este electrodoméstico debe instalarse en un circuito derivado por separado.

El instalador debe mostrar al propietario la ubicación del disyuntor o el fusible. Márquela para recordarla más fácilmente.

INSTALADOR: DEJE ESTAS INSTRUCCIONES CON EL ELECTRODOMÉSTICO CUANDO HAYA FINALIZADO LA INSTALACIÓN.

IMPORTANTE: CONSERVE ESTAS INSTRUCCIONES PARA USO DEL INSPECTOR DE ELECTRICIDAD LOCAL.

Antes de realizar la instalación, apague la alimentación eléctrica en el panel de servicio. Trabe el panel de servicio para impedir que se encienda accidentalmente la alimentación eléctrica.

Para obtener más información, consulte la placa de datos. Para conocer la ubicación de la placa de datos, consulte la sección "Placa de datos" debajo de "Servicio técnico".

Asegúrese de que el electrodoméstico sea correctamente instalado y conectado a tierra por un técnico calificado. La instalación, las conexiones eléctricas y la conexión a tierra deben cumplir con todos los códigos correspondientes.

## Seguridad de los equipos relacionados

Retire toda la cinta y el embalaje antes de usar el electrodoméstico. Destruya el embalaje después de desembalar el electrodoméstico. Nunca deje que los niños jueguen con el material de embalaje.

Nunca modifique ni altere la construcción del electrodoméstico. Por ejemplo, no retire las patas niveladoras, paneles, cubiertas para cables ni soportes/tornillos antivuelco.

Antes de encender el electrodoméstico, retirar cualquier material de embalaje o lámina adhesiva del compartimento de cocción y de la puerta.

# ⚠ INSTRUCCIONES DE SEGURIDAD IMPORTANTES

LEA Y CONSERVE ESTAS INSTRUCCIONES

## Advertencia en virtud de la Proposición 65:

Este producto puede contener un químico que el Estado de California reconoce como potencialmente cancerígeno o causante de daños reproductivos. Por tanto, su producto debe llevar en su embalaje la siguiente etiqueta de conformidad con la legislación de California:

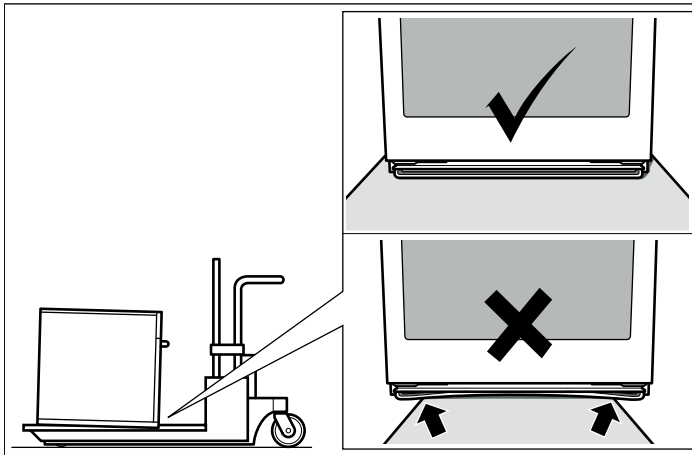
**ADVERTENCIA EN VIRTUD DE LA PROPOSICIÓN 65 DEL ESTADO DE CALIFORNIA:**

**⚠ ADVERTENCIA**

Cáncer y daño reproductivo - [www.P65Warnings.ca.gov](http://www.P65Warnings.ca.gov)

## Transporte

Para evitar el daño a la abertura del horno, utiliza el método del transporte mostrado en el dibujo abajo.



---

## Antes de empezar

### Herramientas y piezas necesarias

- Destornillador con cabeza Phillips
- Taladro y broca de taladro de 1/8 pulg.
- Cinta métrica

### Piezas incluidas

Horno empotrado

### Requisitos de electricidad

La toma de corriente debe tener la conexión a tierra adecuada de conformidad con todos los códigos correspondientes.

### Preparación de los muebles

- Solo un montaje profesional según estas instrucciones de montaje garantiza un uso correcto del aparato. En caso de daños debido a un montaje erróneo, la responsabilidad será del instalador.
- Los muebles de montaje deben poder resistir una temperatura de hasta 90 °C, y la parte frontal de los muebles adyacentes, hasta 70 °C.
- Realizar todos los trabajos de corte en los muebles y en la cubierta antes de montar el aparato. Retirar las virutas; de lo contrario podrían afectar el funcionamiento de los componentes eléctricos.

---

## Quitar el embalaje

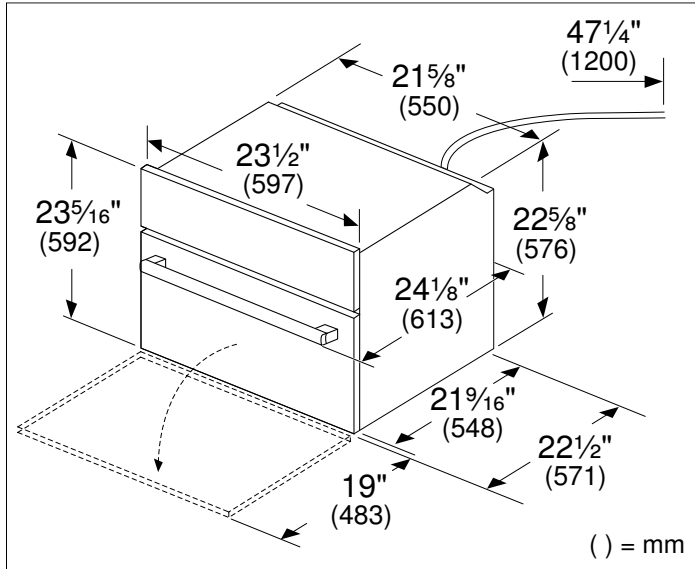
**AVISO:** Para evitar que se dañe su piso, mantenga la unidad en su base de embalaje hasta que esté lista para ser colocada en la abertura del gabinete. No arrastre la unidad por el piso.

Los distintos modelos utilizan distintos materiales de embalaje. Es posible que los soportes reales tengan un aspecto distinto. El soporte permanece en la base de embalaje.

1. Corte las correas que se encuentran fuera de la caja.
2. Retire la caja de cartón.
3. Retire todas las abrazaderas superiores y laterales de cartón y Styrofoam.
4. Coloque el horno delante de los gabinetes, en el lugar donde se instalará.

# Dimensiones y requisitos del gabinete

## Dimensiones del electrodoméstico



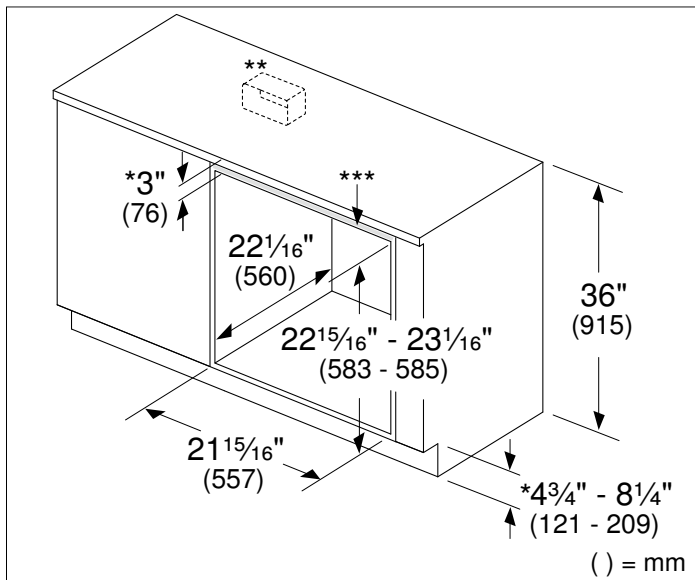
## Dimensiones del hueco para el gabinete

### Requisitos generales del gabinete

Todos los modelos requieren:

- Un espacio de 1/4 pulg. (6.4 mm) entre el costado del horno y una pared adyacente o la puerta del gabinete, cuando está instalado al final de un tramo de gabinetes.
- La base del gabinete debe ser plana y capaz de soportar un peso de, al menos, 68 kg.

### Unidad instalada bajo cubierta



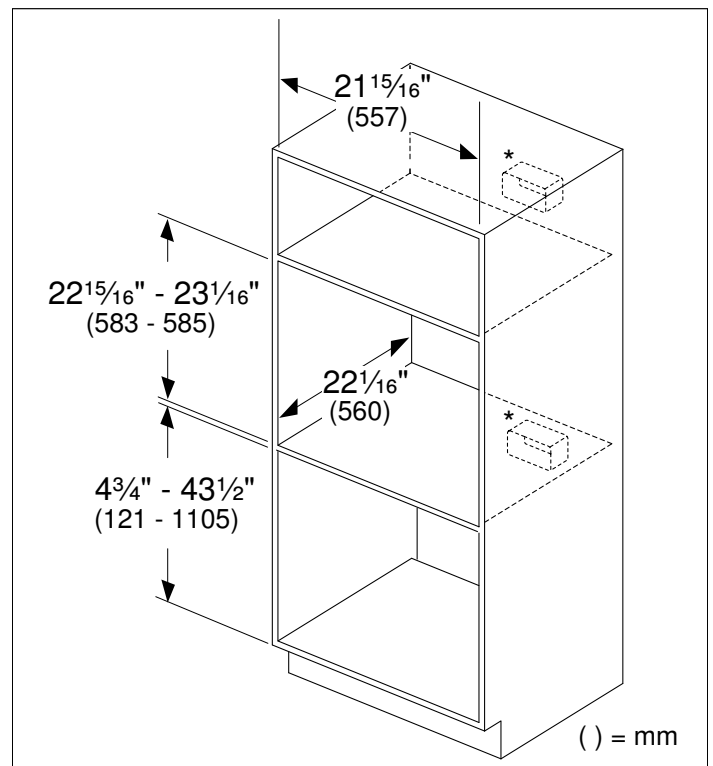
\* Incluye una placa base de 3/4" (19 mm)

\*\* Si el horno se instala debajo de la cubierta, la caja de conexiones debe estar situada a la izquierda o a la derecha de la unidad, al alcance de los conductos de alimentación.

\*\*\* Esta parte del mueble debe estar presente, recta y sin separaciones con las partes laterales. La altura mínima es de 3/8" (9 mm).

Si el horno se monta debajo de una placa de cocción, observar las instrucciones de montaje de dicha placa de cocción.

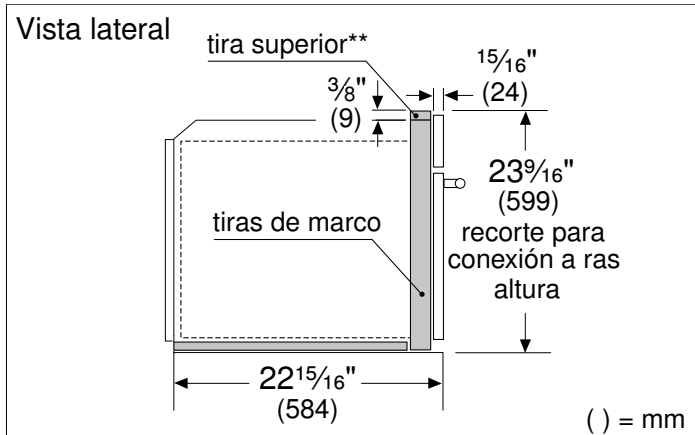
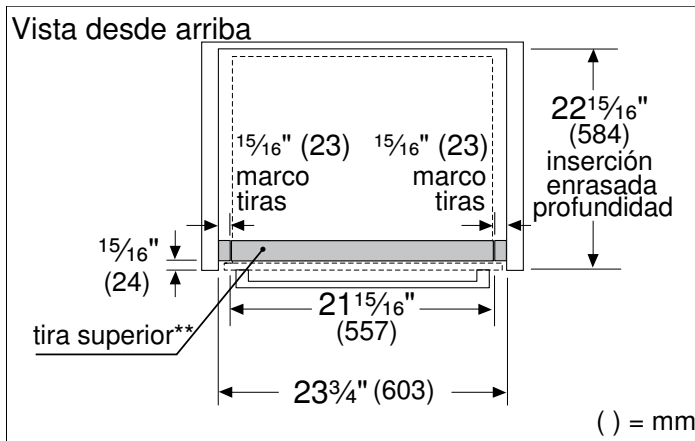
### Unidad montada en la pared



\* En caso de montaje en pared, la caja de conexiones debe estar situada por encima o por debajo de la unidad, al alcance de los conductos de alimentación.



## Instalación a ras



\* La instalación enrasada requiere una bandeja encajable de  $\frac{3}{16}$ " (5 mm) de altura x  $21\frac{15}{16}$ " (557 mm) de ancho x  $22\frac{1}{16}$ " (560 mm) de profundidad bajo el cuerpo.

\*\* La instalación enrasada bajo la cubierta requiere una tira superior de  $\frac{3}{8}$ " (9 mm) de altura x  $21\frac{15}{16}$ " (557 mm) de ancho. Esta parte del mueble debe estar presente, recta y sin separaciones con las partes laterales.

## Montaje del electrodoméstico

### Instalación eléctrica

Todos los modelos de horno cuentan con la clasificación dual en la tapa frontal, y han sido diseñados para conectarse a 208/240 V CA, 60 Hz, a una red de alimentación monofásica de 4 cables.

Modelo	Circuito específico requerido
HBE5453UC	20 A

El suministro eléctrico debe ser de corriente alterna monofásica, de 4 cables. Instalar una caja para conductos conduit adecuada (no viene incluida). Debe utilizarse un conector para tubos conduit de tamaño adecuado, registrado en UL, para unir correctamente el tubo conduit a la caja de conexiones.

**AVISO:** Las normas locales pueden variar. La instalación, las conexiones eléctricas y la conexión a tierra deben cumplir con todas las normas locales vigentes.

Si las normas locales permiten efectuar la conexión a tierra a través del conductor neutral de la red de suministro, conectar el cable blanco neutral y el cable a tierra del horno con el cable blanco neutral de la red de suministro.

### ⚠ ATENCION

- El aparato debe estar sin tensión para poder realizar los trabajos de montaje
- El aparato solo puede conectarse con el cable de conexión suministrado.
- La protección contra contacto accidental debe garantizarse mediante el montaje.

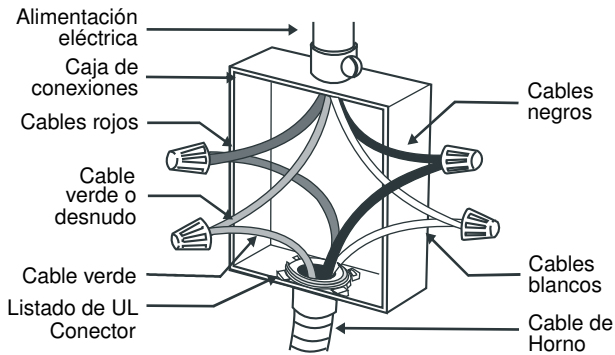
### Conexión eléctrica

La conexión del circuito con cuatro hilos es preferible pero donde los códigos locales lo permiten, se acepta también una conexión con tres hilos.

### ⚠ ADVERTENCIA

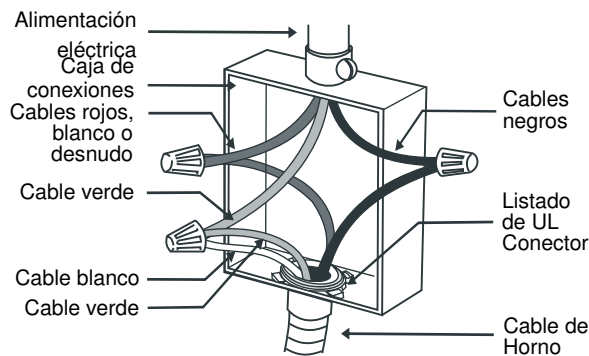
Si se conecta a una fuente de alimentación trifásica de 4 o 5 hilos y 120/208 V, el conductor de fase C no es necesario para el funcionamiento del aparato.

## Conexión de cuatro cables Neutro sin conexión a tierra



- Conectar el cable rojo del horno al cable rojo del suministro eléctrico (cable con corriente).
- Conectar el cable negro del horno al cable negro del suministro eléctrico (cable con corriente).
- Conectar el cable neutro blanco del horno al cable neutro blanco del suministro eléctrico (no al cable de conexión a tierra desnudo o verde).
- Conectar el cable de conexión a tierra verde del horno al cable de conexión a tierra desnudo o verde del suministro eléctrico.

## Conexión de tres cables Neutro con conexión a tierra



- Conectar el cable rojo del horno al cable rojo en la caja de conexiones.
- Conectar el cable negro del horno al cable negro en la caja de conexiones.
- Conectar tanto el cable de conexión a tierra verde como el cable blanco del horno al cable neutro desnudo, blanco o verde en la caja de conexiones.

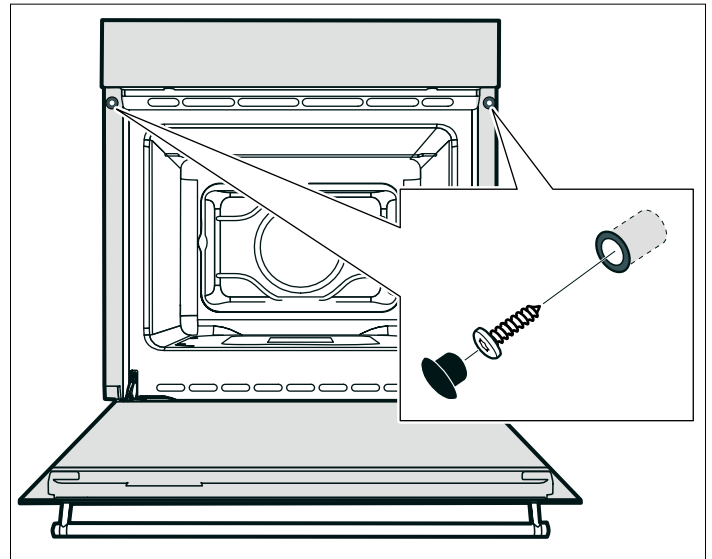
El cable del conduit, donde está conectado en el horno, gira. Girar el cable del conduit hacia arriba (o hacia abajo) y dirigirlo a través del orificio preparado en el gabinete para fijarlo en la caja de conexiones.

Para mantener la capacidad de servicio, el conduit flexible no se debe acortar y se debe extender para permitir la retirada temporal del horno.

## Unidad empotrada en gabinete

**AVISO:** Antes de instalar el aparato, asegúrese de verificar las dimensiones del gabinete y las conexiones eléctricas.

**Nota:** El aparato pesa demasiado. Se aconseja dos personas para insertarlo.



1. Gerät ganz einschieben und mittig ausrichten.

**AVISO:** Anschlussleitungen und -kabel nicht knicken oder mit scharfen Kanten in Berührung bringen.

2. Abdeckgummis entfernen.
3. In den Bohrungen befinden sich Kunststoffhülsen, die zur Befestigung erforderlich sind.
4. Gerät mit 2 Schrauben am Einbaumöbel befestigen.
5. Abdeckgummis wieder einsetzen.

## Pruebe la instalación

### ▲ ADVERTENCIA

Antes de enchufar un cable eléctrico o activar el suministro eléctrico, asegurarse de que todos los controles están en la posición OFF.

Encienda el disyuntor.

Verifique que los elementos funcionen correctamente.

# Soporte de Bosch®

## Antes de llamar al servicio técnico

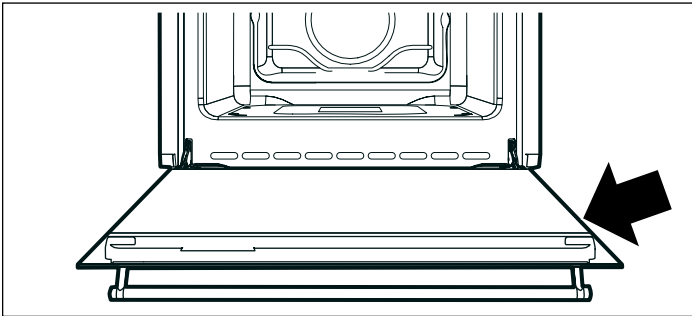
Para obtener información sobre solución de problemas, ver el Manual de uso y cuidado. Ver la «Declaración de garantía limitada del producto» en el Manual de uso y cuidado.

Para ponerse en contacto con un representante del servicio técnico, ver la información de contacto en la portada del manual o en la siguiente sección. Antes de llamar, tener preparada la información que aparece en la placa de características del producto.

## Placa de características

La placa de característica incluye información sobre el modelo y el número de serie del aparato. Si se solicita información al Servicio de Asistencia Técnica, deberá facilitarse la información indicada en la placa.

La placa de características se encuentra en el lateral derecho de la puerta aparato.



Para no perder tiempo buscando los distintos datos solicitados durante la llamada, estos pueden introducirse previamente en los espacios libres abajo.

---

**N.º de producto**

---

**N.º de fabricación**

---

**Fecha de compra**

---

**Servicio de  
Asistencia  
Técnica** ☎

---

Conservar la factura o los documentos de compra que confirmen la validación de la garantía, en caso de que el aparato necesite ser reparado.

## Servicio técnico

Sabemos que usted ha realizado una inversión considerable en su cocina. Nos dedicamos a brindar asistencia a usted y a su aparato de manera que tenga muchos años de cocina creativa.

No dude en comunicarse con nuestro Departamento de Atención al Cliente si tiene alguna pregunta o en el caso poco probable de que su aparato Bosch® necesite servicio técnico. Nuestro equipo de servicio técnico está listo para asistirlo.

### EUA

800-944-2904

[www.bosch-home.com/us/support](http://www.bosch-home.com/us/support)

### Canadá

800-944-2904

[www.bosch-home.ca/en/support](http://www.bosch-home.ca/en/support)

## Piezas y accesorios

Puede comprar piezas, filtros, productos para eliminar el sarro, limpiadores para acero inoxidable y más artículos en la tienda electrónica de Bosch® o por teléfono.

### EUA

[www.bosch-home.com/us/store](http://www.bosch-home.com/us/store)

### Canadá

Marcone 800-482-6022

o

Reliable Parts 800-941-9217



**9001503735**

991202



**BOSCH**

Invented for life

1901 Main Street, Suite 600 • Irvine, CA 92614 • 800-944-2904  
[www.bosch-home.com](http://www.bosch-home.com) • © 2019 BSH Home Appliances