

Installation instructions 2
Instructions d'installation 14
Instrucciones de instalación 26

**HOODS HCP30651UC, HCP36651UC,
HCP80641UC, HCP86641UC**



Hotte aspirante HCP30651UC, HCP36651UC, HCP80641UC, HCP86641UC
Campanas extractoras HCP30651UC, HCP36651UC, HCP80641UC, HCP86641UC



Table of Contents

Safety Definitions	3
IMPORTANT SAFETY INSTRUCTIONS	4
General notes	4
Fire Safety	4
Burn Prevention	5
Child Safety	5
Cleaning Safety	6
Safe use	6
Proper Installation and Maintenance	6
State of California Proposition 65 Warnings	7
Causes for damages	7
Protecting the environment	7
General notes	7
Fan operation	7
Ventilation line	7
Electrical connection	8
Before You Begin	8
Tools and Parts Needed	8
Parts Included	8
Appliance dimensions	9
Safety clearances	9
Fan operation	9
Ventilation line	9
Checking the wall	10
Installation Procedure	10
Preparing the installation	10
Fitting the wall retainer	10
Making the ceiling breakthrough	10
Making the wall breakthrough	10
Mounting the back-pressure flap	11
Mounting the recirculation model (only for circulating-air mode)	11
Connect Electrical Supply	12
Attaching flue duct	12
Removing the appliance	13

Additional information on products, accessories, replacement parts and services can be found at www.bosch-home.com and in the online shop www.bosch-home.com/us/store

Safety Definitions

▲ WARNING

This indicates that death or serious injuries may occur as a result of non-observance of this warning.

▲ CAUTION

This indicates that minor or moderate injuries may occur as a result of non-observance of this warning.

NOTICE: This indicates that damage to the appliance or property may occur as a result of non-compliance with this advisory.

Note: This alerts you to important information and/or tips.



IMPORTANT SAFETY INSTRUCTIONS

READ AND SAVE THESE INSTRUCTIONS

WARNING

When properly cared for, your new appliance has been designed to be safe and reliable. Read all instructions carefully before use. These precautions will reduce the risk of burns, electric shock, fire, and injury to persons. When using kitchen appliances, basic safety precautions must be followed, including those in the following pages.

General notes

Examine the appliance after unpacking it. In the event of transport damage, do not plug it in.

WARNING

TO REDUCE THE RISK OF FIRE, ELECTRIC SHOCK, OR INJURY TO PERSONS, OBSERVE THE FOLLOWING:

- Use this unit only in the manner intended by the manufacturer. If you have questions, contact the manufacturer.
- Before servicing or cleaning unit, switch power off at service panel and lock the service panel to prevent power from being switched on accidentally.

When the service panel cannot be locked, securely fasten a prominent warning device, such as a tag, to the service panel.

WARNING

WARNING – TO REDUCE THE RISK OF FIRE, ELECTRIC SHOCK, OR INJURY TO PERSONS, OBSERVE THE FOLLOWING

- Installation work and electrical wiring must be done by qualified person(s) in accordance with all applicable codes and standards, including fire-rated construction.
 - Sufficient air is needed for proper combustion and exhausting of gases through the flue (chimney) of fuel burning equipment to prevent back-drafting. Follow the heating equipment manufacturer's guideline and safety standards such as those published by the National Fire Protection Association (NFPA), and the American Society for Heating, Refrigeration and Air Conditioning Engineers (ASHRAE), and the local code authorities.
 - When cutting or drilling into wall or ceiling, do not damage electrical wiring and other hidden utilities.
 - Ducted fans must always be vented to the outdoors.
-

This appliance is not intended for operation with an external clock timer or a remote control.
Do not use extension cord for installation.
Have an appropriate fire extinguisher available, nearby, highly visible, and easily accessible near the appliance.

Fire Safety

WARNING

To reduce risk of fire and to properly exhaust air, be sure to duct air outside. Do not vent exhaust air into spaces within walls, ceilings, attics, crawl spaces or garages.

WARNING

To reduce the risk of fire, use only metal ductwork.

Always have a working smoke detector near the kitchen.

WARNING

TO REDUCE THE RISK OF A RANGE TOP GREASE FIRE:

- a. Never leave surface units unattended at high settings. Boil overs cause smoking and greasy spillovers that may ignite. Heat oils slowly on low or medium settings.
- b. Always turn hood ON when cooking at high heat or when flambéing food (i.e. Crepes Suzette, Cherries Jubilee, Peppercorn Beef Flambé).
- c. Clean ventilating fans frequently. Grease should not be allowed to accumulate on fan or filter.
- d. Use proper pan size. Always use cookware appropriate for the size of the surface element.

Do not flambé under the extractor hood or work with a naked flame. When switched on, the extractor hood draws flames into the filter. There is a risk of fire due to deposits on the grease filter!

CAUTION

For general ventilating use only. Do not use to exhaust hazardous or explosive materials and vapors.

In the event that personal clothing or hair catches fire, drop and roll immediately to extinguish flames.
Smother flames from food fires other than grease fires with baking soda. Never use water on cooking fires.

IMPORTANT SAFETY INSTRUCTIONS

READ AND SAVE THESE INSTRUCTIONS

WARNING

TO REDUCE THE RISK OF INJURY TO PERSONS IN THE EVENT OF A RANGE TOP GREASE FIRE, OBSERVE THE FOLLOWING:^a

- SMOTHER FLAMES with a close-fitting lid, cookie sheet, or metal tray, then turn off the burner. BE CAREFUL TO PREVENT BURNS. If the flames do not go out immediately, EVACUATE AND CALL THE FIRE DEPARTMENT.
- NEVER PICK UP A FLAMING PAN – You may be burned.
- DO NOT USE WATER, including wet dishcloths or towels – a violent steam explosion may result.
- Use an extinguisher ONLY if:
 - You know you have a Class ABC extinguisher, and you already know how to operate it.
 - The fire is small and contained in the area where it started.
 - The fire department is being called.

^a Based on “Kitchen Fire Safety Tips” published by NFPA.

Whenever possible, do not operate the ventilation system during a cooktop fire. However, do not reach through fire to turn it off.

WARNING

RISK OF FIRE

When gas burners are in operation without any cookware placed on them, they can build up a lot of heat. A ventilation appliance installed above the cooker may become damaged or catch fire. Only operate the gas burners with cookware on them.

WARNING

RISK OF FIRE

During simultaneous use of multiple gas burners, a great deal of heat is created. A ventilation device located above it can become damaged or catch fire. Never use two gas burners together at maximum heat for longer than 15 minutes. One large burner with over 17,000 Btu/hr (5 kW) (wok) is equal to the wattage of two gas burners.

WARNING

RISK OF FIRE

Hot oil and fat catch fire fast. Never leave hot oil and fat unsupervised. Never extinguish a fire with water. Switch off the cooking position. Suffocate flames carefully with a lid, a fire blanket or similar.

WARNING

RISK OF FIRE

Grease deposits in the grease filter can ignite.

Clean the grease filter at least every two months or as frequently as necessary.

Never operate the appliance without the grease filter.

WARNING

RISK OF FIRE

Grease deposits in the grease filter can catch fire. Never work with a naked flame near the appliance (e.g. flambéing). Install the unit near a heat-producing appliance for solid fuels (e.g. wood or coal) only if there is a closed, non-detachable cover. There must be no flying sparks.

Burn Prevention

WARNING

RISK OF BURNS

The accessible parts get hot during operation. Never touch hot parts. Keep children away.

Child Safety

When children become old enough to use the appliance, it is the responsibility of the parents or legal guardians to ensure that they are instructed in safe practices by qualified persons.

Remove all tape and packaging before using the appliance. Destroy the packaging after unpacking the appliance. Never allow children to play with packaging material.

Do not allow anyone to climb, stand, lean, sit, or hang on any part of an appliance, especially a door, warming drawer, or storage drawer. This can damage the appliance, and the unit may tip over, potentially causing severe injury.

Do not allow children to use this appliance unless closely supervised by an adult. Children and pets should not be left alone or unattended in the area where the appliance is in use. They should never be allowed to play in its vicinity, whether or not the appliance is in use.

CAUTION

Items of interest to children should not be stored in an appliance, in cabinets above an appliance or on the backsplash. Children climbing on an appliance to reach items could be seriously injured.

IMPORTANT SAFETY INSTRUCTIONS

READ AND SAVE THESE INSTRUCTIONS

Cleaning Safety

WARNING

Be sure the entire appliance (including the grease filters and light bulbs, if applicable) has cooled and grease has solidified before attempting to clean any part of the appliance.

Do not use steam cleaners to clean the appliance.

Safe use

WARNING

Do not repair, replace or remove any part of the appliance unless specifically recommended in the manuals. Improper installation, service or maintenance can cause injury or property damage. Refer to this manual for guidance. All other servicing should be done by an authorized technician.

WARNING

RISK OF INJURY

Items placed on the appliance may fall down. Do not place any objects on the appliance.

Proper Installation and Maintenance

Have the installer show you the location of the circuit breaker or fuse. Mark it for easy reference.

This appliance must be properly installed and grounded by a qualified technician. Connect only to properly grounded outlet. Refer to Installation Instructions for details.

This appliance is intended for normal family household use only. It is not approved for outdoor use. See the Statement of Limited Warranty. If you have any questions, contact the manufacturer.

Do not store or use corrosive chemicals, vapors, flammables or nonfood products in or near this appliance. It is specifically designed for use when heating or cooking food. The use of corrosive chemicals in heating or cleaning will damage the appliance and could result in injury.

Do not operate this appliance if it is not working properly, or if it has been damaged. Contact an authorized servicer.

Do not repair or replace any part of the appliance unless specifically recommended in this manual. Refer all servicing to a factory authorized service center.

CAUTION

Grease left on filters can remelt and move into the vent.

CAUTION

Turn power off at breaker before removing a damaged bulb. Do not touch the bulbs immediately after use. The bulbs will remain hot for several minutes.

WARNING

Make sure the appliance and lights are cool and power to the appliance has been turned off before replacing the light bulb(s). Failure to do so could result in electrical shock or burns. The lenses (if equipped) must be in place when using the appliance. The lenses (if equipped) serve to protect the light bulb from breaking. The lenses (if equipped) are made of glass. Handle carefully to avoid breaking. Broken glass can cause an injury.

Hidden surfaces may have sharp edges. Use caution when reaching behind or under appliance.

WARNING

When the hood is operated in exhaust-air mode simultaneously with a different burner which also makes use of the same chimney (such as gas, oil or coal-fired heaters, continuous-flow heaters, hot-water boilers) care must be taken to ensure that there is an adequate supply of fresh air which will be needed by the burner for combustion.

Safe operation is possible provided that the under pressure in the room where the burner is installed does not exceed 4 Pa (0.04 mbar).

This can be achieved if combustion air can flow through non-lockable openings, e.g. in doors, windows and via the air-intake/exhaust-air wall box or by other technical measures, such as reciprocal interlocking, etc.

WARNING

Avoid carbon monoxide poisoning – Provide adequate air intake so combustion gases are not drawn back into the room.

An air-intake/exhaust-air wall box by itself is no guarantee that the limiting value will not be exceeded.

Note: When assessing the overall requirement, the combined ventilation system for the entire household must be taken into consideration. This rule does not apply to the use of cooking appliances, such as cooktops and ovens.

Proposition 65 Warning

This product may contain a chemical known to the State of California, which can cause cancer or reproductive harm. Therefore, the packaging of your product may bear the following label as required by California:

STATE OF CALIFORNIA PROPOSITION 65 WARNING:

▲ WARNING

Cancer and reproductive harm - www.P65Warnings.ca.gov.

Causes for damages

▲ CAUTION

Risk of damage due to corrosion. Always turn appliance on when cooking to avoid condensation buildup. Condensation can lead to corrosion damages.

Always replace burnt out bulbs immediately to avoid an overload of the remaining bulbs.

Risk of damage due to the presence of humidity into the electronic circuitry. Never clean operator controls with a wet cloth.

Surface damage due to incorrect cleaning. Clean stainless steel surfaces in the grain direction only. Do not use any stainless steel cleaners for operator controls.

Surface damage due to strong or abrasive cleaning agents. Never use strong and abrasive cleaning agents.

Risk of damage from condensation back flow. Install exhaust vent at a slight downward slope away from the appliance (1° slope).

Protecting the environment

Unpack the appliance and dispose of the packaging in line with environmental requirements.

General notes

Fan operation

Note: Ventilation may not exit through an already operational smoke or exhaust chimney, nor a duct used for ventilating furnace installation areas.

- If the ventilation is intended to pass through a smoke or exhaust chimney that is not in operation, the responsible area heating inspector must give approval.
- If the ventilation passes through an external wall, use a telescope wall sleeve.

Ventilation line

Note: The manufacturer is not responsible for any issues associated with the pipe section.

- The device achieves its optimum performance by means of a short, straight exhaust air pipe and as large a pipe diameter as possible.
- The optimum extraction performance is not achieved and fan noise is increased if exhaust air pipes are long and rough and if there is a large number of pipe bends or diameters less than 8" (203 mm).
- The pipes or hoses for laying the exhaust air line must consist of non-combustible material.

Round pipes

An inner diameter of 8" (203 mm) is recommended.

Electrical connection

▲ WARNING

RISK OF ELECTRIC SHOCK

Parts inside the appliance can have sharp edges. The connection cable can be damaged. Do not bend or pinch connection cables during installation.

Before connecting the appliance, turn off power circuit at service panel and lock out panel before wiring this appliance.

Requirement: 120 VAC, 60 Hz 15 A. (see rating plate).

The appliance complies with protection class 1 and must only be operated in conjunction with a protective conductor terminal.

An all-pole isolating switch with at least a 3 mm contact gap must be fitted in the installation. This must remain accessible after installation.

Only a qualified electrician who takes the appropriate regulations into account may lay or replace the connecting cable.

Follow all standards, regulations and laws.

Ensure that the electrical connection meets the requirements of the latest version of all applicable standards, regulations and laws in the appropriate country, especially the following standards: National Electrical Code, ANSI/NFPA 70*, or CSA Standards C22.1-94, Canadian Electrical Code, Part 1 and C22.2 No.0-M91**.

Have a qualified electrical technician check the grounding of the appliance.

Do not ground to a gas line.

No fuse protection in the neutral or grounding circuit.

Keep these installation instructions. Only connect the appliance with a copper conductor. If possible, connect the appliance to a metal cable guide directly to the fuse box.

Ensure that the wire diameter meets the requirements of the latest version of all applicable standards and laws in the appropriate country, especially the following standards: National Electrical Code, ANSI/NFPA 70*, or CSA Standards C22.1-94, Canadian Electrical Code, Part 1 and C22.2 No.0-M91**.

Put a protecting hose that is listed in the U.L. or C.S.A. on both ends of the connecting cable, that is, on the appliance and on the fuse box.

For copies of the standards listed, contact:

* National Fire Protection Association Batterymarch Park Quincy, Massachusetts 02269

** CSA International 8501 East Pleasant Valley Road Cleveland, Ohio 44131-5575

Before You Begin

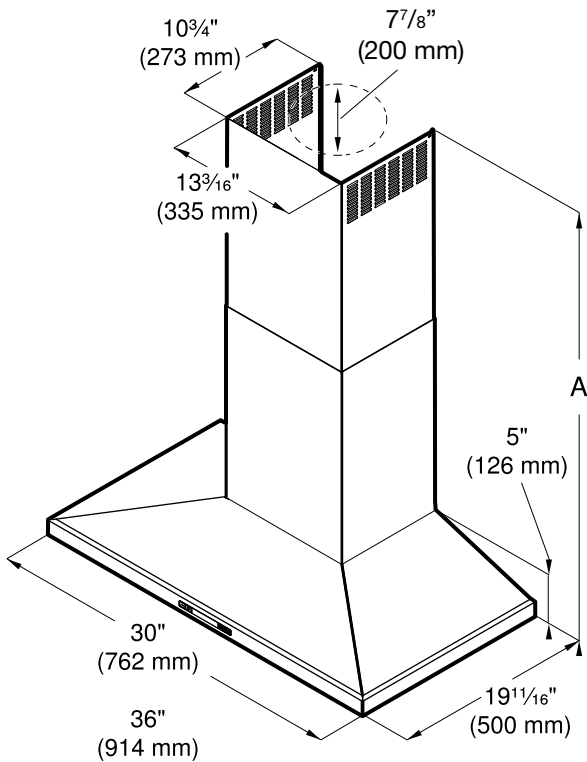
Tools and Parts Needed

- Measuring tape
- Pencil
- Phillips screwdriver (Posidrive) #2
- Drill with the following bits: 5/16" (7.9 mm) and 3/8" (9.5 mm)
- Spirit-level
- Aluminum tape (DO NOT use insulating tape)
- Exhaust channel (configuration depends on the installation situation)
- Additional sheet metal screws (if necessary for installation of the exhaust air duct)
- Saw

Parts Included

- Extractor hood with fan, back-pressure flap
- Lamp, already installed
- Metal grease filter
- Flue duct
- Drill template
- 1x angle bracket for the flue duct
- Installation manual and instructions for use
- 6x screws, 5x45 mm
- 8x screws, 4x8 mm
- 2x washers
- 2x hollow wall plugs, 8x40 mm
- 4x hollow wall plugs, 10x50 mm
- Torx adapter, 10 & 20

Appliance dimensions



- A Only for circulating-air mode:
 *Max. 42 9/16" (1081 mm)
 *Min. 28 1/4" (718 mm)
 Only for ducted operation:
 *Max. 38 7/8" (988 mm)
 *Min. 24 9/16" (625 mm)

Safety clearances

⚠ WARNING

RISK OF FIRE

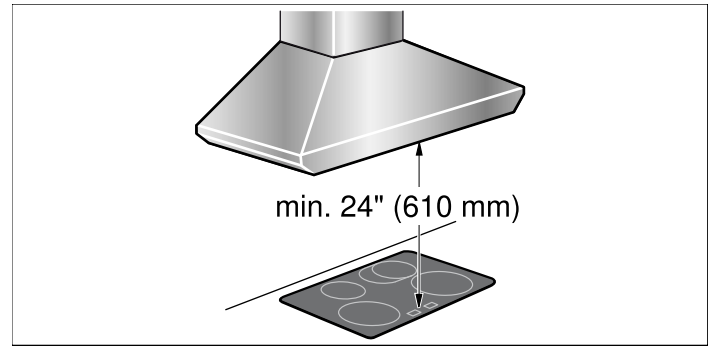
Grease deposits in the grease filter can catch fire. The given safety clearance must be observed to avoid heat buildup. Observe the specifications for your cooking appliance. If gas and electric cooktops are used together, the largest given clearance applies.

The appliance may only be installed directly next to a cabinet or wall on one side. The wall or cabinet clearance must be at least 2" (50 mm).

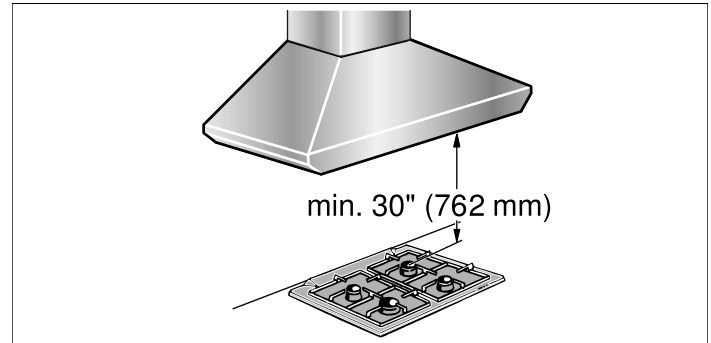
The clearance between the shelf on the cooktop and the bottom of the extractor hood may not be less than 24" (610 mm) in the case of electric cooktops and 30" (760 mm) in case of gas or combined ranges.

If the installation instructions for the gas cooking appliance specify a larger distance, this must be taken into account.

Electrical cooktop



Gas cooktop



Fan operation

Note: Ventilation may not exit through an already operational smoke or exhaust chimney, nor a duct used for ventilating furnace installation areas.

- If the ventilation is intended to pass through a smoke or exhaust chimney that is not in operation, the responsible area heating inspector must give approval.
- If the ventilation passes through an external wall, use a telescope wall sleeve.

Ventilation line

Note: The device manufacturer is not responsible for the operation or complaints associated with the pipe section.

- The ventilation opening and the exhaust air ducts must be made according to the local requirements.
- The device achieves its optimum performance by means of a short, straight exhaust air pipe and as large a pipe diameter as possible.
- As a result of long rough exhaust air pipes, many pipe bends or too-small diameters, the optimum extraction performance is not achieved and fan noise is increased.
- The pipes or hoses for laying the exhaust air line must consist of non-combustible material.
- Smooth the connection area of the pipes before installation.
- Seal the connection points of the pipes appropriately.

Round pipes

An inner diameter of Ø 8" (203 mm) is recommended.

Checking the wall

- The wall must be level, vertical and adequately load-bearing.
- The depth of the bore holes must be the same length as the screws. The wall plugs must have a secure grip.
- The enclosed screws and wall plugs are suitable for solid brickwork. Suitable fasteners must be used for other structures.

Installation Procedure

▲ CAUTION

Ensure that there are no electric wires, gas or water pipes in the area where holes are to be made. If you are not sure, consult a qualified installer.

Preparing the installation

1. Mark a vertical center line on the wall from the ceiling to the lower edge of the extractor hood.
2. Align the drill template on the center line and the bottom edge of the extractor hood and glue on.
3. Mark positions for the screws and the contour of the attachment area.
4. Mark holes for the flue's angle brackets. The center of the angle bracket is marked with a hole. Place the angle brackets in the center of the center line, align them horizontally and mark the positions of the holes.

Fitting the wall retainer

1. Drill holes with Ø 5/16" (7.9 mm) for the angle bracket.
2. Press in the wall plugs flush with the wall.
3. Screw screws (5x34 mm) into the wall plugs by hand in order to spread the plugs apart.
4. Unscrew screws.
5. Screw on the angle bracket for the flue duct.

Making the ceiling breakthrough

1. Using a spirit level, extend the center line of the drill template to the ceiling.
2. Mark the ceiling breakthrough (Ø 8 1/2" (216 mm)) at least 4 5/8" (117 mm) away from the wall.

Making the wall breakthrough

1. Using a spirit level, extend the center line of the drill template to the ceiling.
2. Depending on the curved section of the wall breakthrough (Ø 8 1/2" (216 mm)) mark at least 26 1/2" (660 mm) above the bottom edge of the extractor hood.

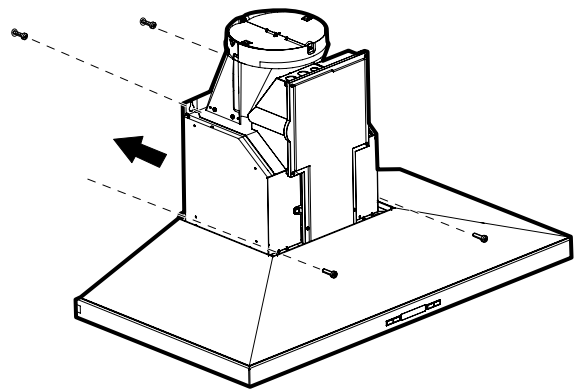
Mounting the extractor hood on the wall

▲ WARNING

RISK OF INJURY

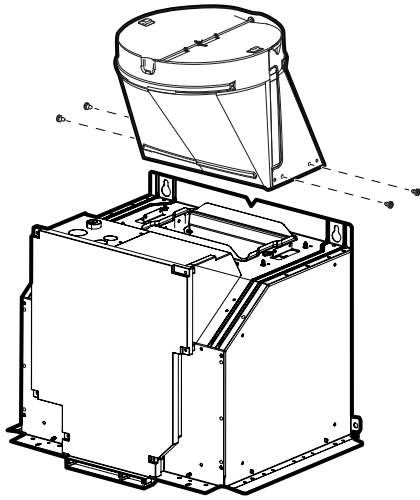
The appliance is heavy. To move the appliance, 2 people are required. Use only suitable tools and equipment.

1. Initially remove the protective foil from the back of the appliance and, following installation, remove foil completely.
2. Mark the upper holes on the wall.
Note: Ensure that the holes are horizontal and aligned centered on the center line.
3. Drill the upper holes. Adhere to a distance of 1/4" (6 mm) between the wall and screw head.
4. Remove grease filters.
5. Hang the extractor hood on the upper screws on the wall.
6. Mark holes for the lower holes.
7. Remove the extractor hood from the wall.
8. Drill the lower holes.
9. Hang the extractor hood on the upper screws on the wall.
10. Tighten the upper and lower screws by hand.



Mounting the back-pressure flap

Using 4 screws (4x8 mm), attach the back-pressure flap to the extractor hood.



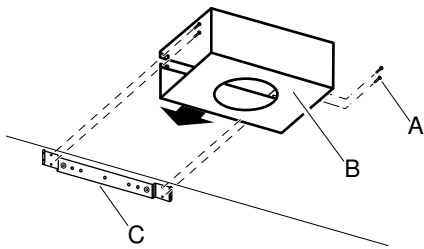
Connecting the air extractor (only for ducted operation)

Note: If an aluminum pipe is used, smooth the connection area beforehand.

1. Attach exhaust air pipe and seal.
2. Check whether the back-pressure flap works.

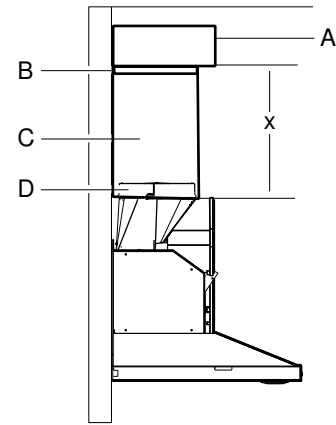
Mounting the recirculation model (only for circulating-air mode)

1. Use 4 screws (4x8 mm) to screw the housing to the angle bracket.



A	Screws
B	Recirculation module
C	Angle bracket

2. Measure the distance (x) between the bottom edge of the housing for the recirculation module and the bottom edge of the back-pressure flap.



A	Recirculation module
B	Clamps
C	Flue duct
D	Exhaust air duct

3. Shorten the exhaust air pipe to the length measured.
4. Remove the recirculation module.
5. Push the exhaust air pipe onto the bottom side of the recirculation module.
6. Position the recirculation module with exhaust air pipe over the air extraction duct of the extractor hood.
7. Use 4 screws to fasten the recirculation module to the angle bracket.
8. Secure connections with clamps.

Connect Electrical Supply

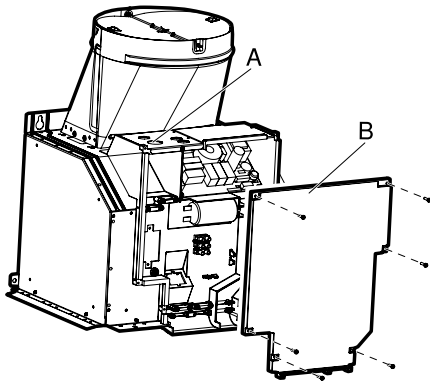
⚠ WARNING

RISK OF ELECTRIC SHOCK

Before wiring the appliance, interrupt the main electrical circuit at the electrical control cabinet. A circuit with 120 VAC, 15 or 20 Ampere is required. Grounding notes: this appliance is equipped with a distributor box with 3 cables. Use the green-yellow cable for grounding the appliance. Connect the green-yellow cable to the grounding cable on the house connection to prevent electric shock. Do not under any circumstances damage or remove the green-yellow cable. Non-adherence can cause deadly injuries or electric shock.

Installation work and electrical wiring must be done by qualified person(s) in accordance with all applicable codes and standards, including fire-rated construction.

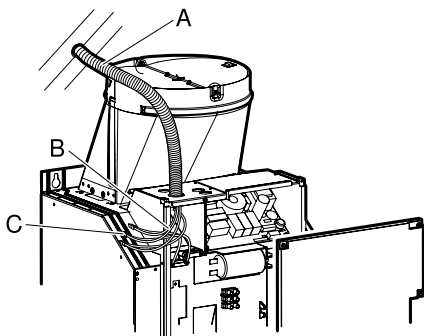
1. Remove the left cable passage and the cover of the motor controller. Fasten the connecting piece for the installation pipe (listed in cULUS) to the cable passage.



A Cable passage

B Cover of the motor controller

2. Connect 1/2" (12.7 mm) installation pipe to motor controller.



A Installation pipe

B Power connection

C Cable connector listed in UL

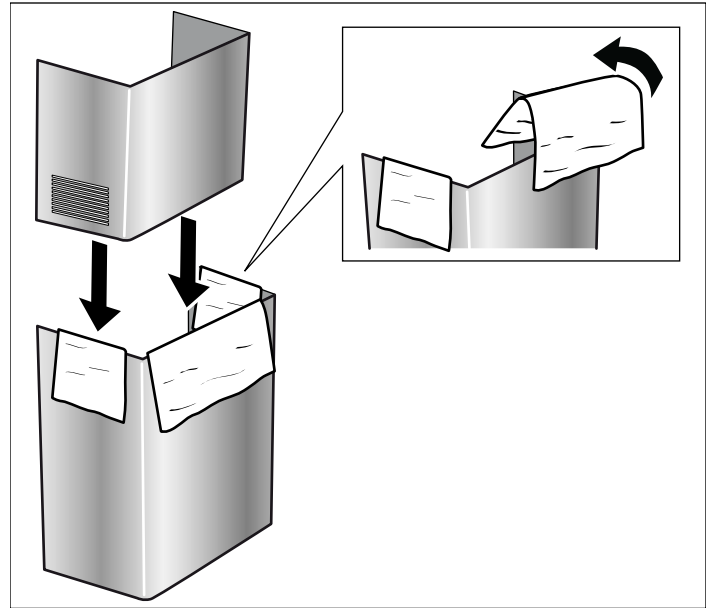
Attaching flue duct

Hidden surfaces may have sharp edges. Use caution when reaching behind or under appliance.

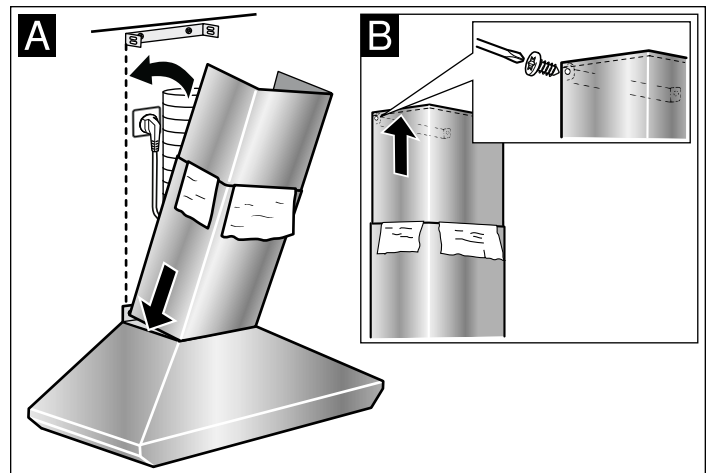
1. Remove the protective foil from both flue ducts.
2. Push one flue duct into the other.

Notes

- To prevent scratches, lay paper over the edges of the lower flue duct to protect the surface.
- For ducted operation, turn the upper flue duct so that the ventilation slots point downward.



3. Remove the protective foil from the extractor hood.
4. Place flue ducts on the appliance.
5. Push the inner flue duct upwards and attach it to the angle brackets on the left and right.
6. Screw the flue duct to the sides of the angle bracket using two screws.



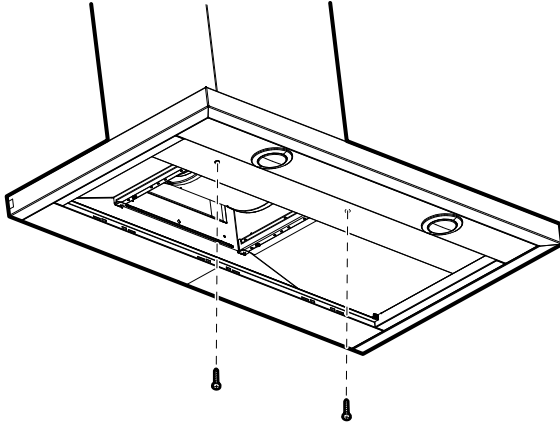
A Upper flue duct

B Lower flue duct

C Screws

D Angle bracket

7. Fasten the lower part of the flue duct using two screws.



8. Install metal-mesh grease filter.

Removing the appliance

1. Remove the metal-mesh grease filter.
2. Loosen the flue duct.
3. Disconnect the appliance from the power supply.
4. Loosen the exhaust air lines.
5. Loosen screws for fastening the appliance.
6. Remove the appliance.

Table de Matières

Définitions de Sécurité	15
CONSIGNES DE SÉCURITÉ IMPORTANTES	16
Instructions générales	16
Sécurité-incendie	16
Prévention des brûlures	17
Sécurité des enfants	18
Consignes en matière de nettoyage	18
Sécurité à l'utilisation	18
Installation et entretien corrects	18
Avertissements de la Proposition 65 de l'État de la Californie	19
Causes des dommages	19
Protection de l'environnement	19
Instructions générales	20
Mode évacuation	20
Conduit d'évacuation	20
Branchement électrique	20
Avant de commencer	21
Outils et pièces nécessaires	21
Pièces comprises	21
Cotes de l'appareil	21
Distances de sécurité	22
Mode évacuation	22
Conduit d'évacuation	22
Vérifier le mur	22
Procédure d'installation	23
Préparer l'installation	23
Montage de la fixation murale	23
Percement du plafond	23
Percement du mur	23
Montage du volet anti-refoulement	23
Montage du module de recirculation (uniquement en cas de mode recirculation)	24
Brancher l'alimentation électrique	24
Monter le capot de cheminée	25
Dépose de l'appareil	25

Vous trouverez des informations supplémentaires concernant les produits, accessoires, pièces de rechange et services sur Internet sous : www.bosch-home.com et la boutique en ligne : www.bosch-eshop.com

Définitions de Sécurité

▲ AVERTISSEMENT

Le non-respect de cet avertissement peut entraîner la mort ou des blessures graves.

▲ ATTENTION

Le non-respect de cet avertissement peut entraîner des blessures mineures ou modérées.

AVIS : Vous indique que des dommages à l'appareil ou aux biens peuvent survenir si vous ne respectez pas cet avertissement.

Remarque : Vous signale des informations importantes ou des conseils.



CONSIGNES DE SÉCURITÉ IMPORTANTES

LIRE ET CONSERVER CES INSTRUCTIONS

AVERTISSEMENT

Votre nouvel appareil a été conçu pour un fonctionnement sûr et fiable si vous en prenez bien soin. Lire attentivement toutes les consignes avant l'emploi. Ces précautions réduiront les risques de brûlures, de choc électrique, d'incendie et de lésions corporelles. Lors de l'utilisation d'un appareil électroménager, quelques précautions de sécurité élémentaires doivent être observées, y compris celles qui figurent aux pages suivantes.

Instructions générales

Contrôler l'appareil après l'avoir déballé. Si l'appareil a été endommagé durant le transport, ne pas le brancher.

AVERTISSEMENT

AFIN DE RÉDUIRE LES RISQUES D'INCENDIE, DE CHOC ÉLECTRIQUE OU DE BLESSURES CORPORELLES, VEUILLEZ SUIVRE LES INSTRUCTIONS SUIVANTES :

- Utilisez cet appareil seulement de manière conforme à l'usage prévu par le fabricant. Si vous avez des questions, contactez le fabricant.
 - Avant le nettoyage ou l'entretien de l'appareil, mettez-le hors tension sur le tableau électrique et verrouillez les dispositifs de sectionnement afin d'empêcher toute remise sous tension accidentelle.
S'il est impossible de verrouiller les dispositifs de sectionnement, fixez de manière sûre au tableau électrique un dispositif d'alerte bien visible, par exemple une étiquette.
-

AVERTISSEMENT

ATTENTION – AFIN DE RÉDUIRE LES RISQUES D'INCENDIE, DE CHOC ÉLECTRIQUE OU DE BLESSURES CORPORELLES, VEUILLEZ SUIVRE LES INSTRUCTIONS SUIVANTES :

- Les travaux d'installation et de raccordement électrique doivent être effectués par une personne qualifiée, conformément aux codes et standards de construction, y compris ceux concernant le feu.
- Assurez-vous que l'aération est suffisante pour permettre la combustion et l'évacuation des gaz par le conduit de cheminée d'un appareil à combustible afin de prévenir le refoulement d'air. Respectez les instructions du fabricant de l'appareil de chauffage et les normes de sécurité, comme celles publiées par la National Fire Protection Association (NFPA) et par la American Society for Heating, Refrigeration and Air Conditioning Engineers (ASHRAE), ainsi que par les autorités locales.

- Lorsque vous faites une ouverture dans un mur ou un plafond, veillez à ne pas endommager les fils électriques ou les conduites qui y sont dissimulés.
 - Les soufflantes canalisées doivent donner sur l'extérieur.
-

Cet appareil n'est pas destiné à être utilisé avec un programmateur externe ou une télécommande. Ne pas utiliser une rallonge pour l'installation. Veillez à avoir à portée de main un extincteur d'incendie en bon état de marche, placé visiblement près de l'appareil et facile d'accès.

Sécurité-incendie

AVERTISSEMENT

Pour réduire le risque de feu et pour évacuer correctement l'air, évacuez l'air vers l'extérieur. N'évacuez pas l'air dans les murs, les plafonds, les greniers, les vides sanitaires ou les garages.

AVERTISSEMENT

Pour réduire les risques de feu, utiliser uniquement des gaines en métal.

Toujours avoir un détecteur de fumée en état de marche près de la cuisine.

AVERTISSEMENT

POUR RÉDUIRE LE RISQUE D'INCENDIE DE GRAISSE DE CUISINIÈRE:

- a. Ne laissez jamais la surface de cuisson sans surveillance à des températures élevées. Les débordements causent de la fumée et les résidus graisseux peuvent s'enflammer.. Faites chauffer les huiles lentement à feu doux ou moyen.
- b. Faites toujours fonctionner la hotte lorsque vous cuisinez à feu vif.
- c. Nettoyez les ventilateurs régulièrement. Ne laissez pas la graisse s'accumuler sur le ventilateur ou sur le filtre.
- d. Utilisez des casseroles de taille appropriée. Utilisez toujours des récipients adaptés à la taille de la surface de cuisson.

Ne flambez jamais sous la hotte aspirante et ne travaillez jamais avec une flamme nue. Une hotte aspirante en marche aspire les flammes dans le filtre. Une hotte aspirante en marche aspire les flammes dans le filtre. Ne flambez jamais sous la hotte aspirante et ne travaillez jamais avec une flamme nue. Une hotte aspirante en marche aspire les flammes dans le filtre. Les dépôts de graisse sur les filtre risquent alors de s'enflammer!

CONSIGNES DE SÉCURITÉ IMPORTANTES

LIRE ET CONSERVER CES INSTRUCTIONS

ATTENTION

Appareil conçu exclusivement pour la ventilation générale. Ne pas utiliser pour évacuer des matières et vapeurs dangereuses ou explosives.

Si des vêtements s'enflamment, rouler par terre immédiatement pour éteindre les flammes.

Étouffez les flammes d'un feu d'aliments autre qu'un feu de graisse à l'aide de bicarbonate de soude. Ne jamais utiliser d'eau sur les feux de cuisson.

AVERTISSEMENT

POUR RÉDUIRE LE RISQUE DE LÉSIONS CORPORELLES EN CAS D'UN FEU DE FRITURE SUR UNE CUISINIÈRE, OBSERVER CE QUI SUIT :

- ÉTOUFFER LES FLAMMES à l'aide d'un couvercle bien hermétique, d'une tôle à biscuits ou d'un plateau en métal, puis éteindre le brûleur. FAIRE ATTENTION À NE PAS SE BRÛLER. Si les flammes ne s'éteignent pas immédiatement, ÉVACUER LES LIEUX ET FAIRE APPEL AU SERVICE D'INCENDIE.
 - NE JAMAIS SOULEVER UNE POÊLE EN FLAMMES – Vous pourriez vous brûler.
 - NE PAS UTILISER D'EAU, y compris les chiffons ou serviettes mouillées - une violente explosion de vapeur pourrait se produire.
 - Utiliser UNIQUEMENT un extincteur si :
 - Vous savez que vous avez un extincteur de classe ABC et comment l'utiliser.
 - Le feu est petit et circonscrit à la zone où il a débuté.
 - Le service d'incendie est appelé.
 - Si l'on peut combattre le feu en ayant le dos vers une sortie.
-

Dans la mesure du possible, ne pas faire fonctionner le système de ventilation lorsqu'un feu se déclenche sur une table de cuisson. Toutefois, ne pas passer la main à travers le feu pour mettre le système de ventilation hors tension.

AVERTISSEMENT

RISQUE D'INCENDIE

Les brûleurs gaz dégagent une forte chaleur lorsqu'aucun récipient n'est posé dessus. Ils peuvent alors endommager les appareils de ventilation. Utiliser les brûleurs gaz uniquement lorsqu'un récipient est placé dessus.

AVERTISSEMENT

RISQUE D'INCENDIE

Lors du fonctionnement simultané de plusieurs foyers gaz il y a une forte production de chaleur. Un appareil de ventilation monté au-dessus peut être endommagé ou prendre feu. Ne faites jamais fonctionner en même temps deux foyers gaz à feu vif pendant plus de 15 minutes. Un brûleur grande puissance de plus de 17,000 Btu/hr (5 kW) (wok) chauffe autant que deux brûleurs gaz.

AVERTISSEMENT

RISQUE D'INCENDIE

L'huile et la graisse très chaudes s'enflamment rapidement. Ne jamais laisser de l'huile et de la graisse chaudes sans surveillance. Ne jamais éteindre un incendie avec de l'eau. Éteindre le foyer. Étouffer les flammes avec précaution au moyen d'un couvercle, d'une couverture antifeu ou équivalent.

AVERTISSEMENT

RISQUE D'INCENDIE

Les dépôts se trouvant dans le filtre à graisse peuvent s'enflammer.

Nettoyer le filtre à graisse au moins tous les 2 mois ou aussi souvent que nécessaire.

Ne jamais faire fonctionner l'appareil sans son filtre à graisse.

AVERTISSEMENT

RISQUE D'INCENDIE

Les dépôts se trouvant dans le filtre à graisse peuvent s'enflammer. Ne jamais cuisiner à proximité de l'appareil avec une flamme ouverte (par exemple pour faire flamber). Installer l'appareil près d'un foyer pour combustibles solides (bois ou charbon par exemple) seulement s'il y a un couvercle fermé et non amovible. Il ne faut pas qu'il se produise de projection d'étincelles.

Prévention des brûlures

AVERTISSEMENT

RISQUE DE BRÛLURE

Les parties accessibles chauffent lorsque la table est allumée. Ne touchez jamais aux parties très chaudes. Tenez les enfants à distance.

CONSIGNES DE SÉCURITÉ IMPORTANTES

LIRE ET CONSERVER CES INSTRUCTIONS

Sécurité des enfants

Lorsque les enfants sont assez âgés pour utiliser l'appareil, il incombe aux parents ou tuteurs légaux de veiller à ce qu'ils soient formés aux pratiques sécuritaires par des personnes qualifiées.

Enlever le ruban adhésif et l'emballage avant d'utiliser l'appareil. Détruire l'emballage après avoir déballé l'appareil. Ne jamais laisser les enfants jouer avec les matériaux de conditionnement.

Ne permettre à personne de grimper, rester debout, s'appuyer, s'asseoir ou se pencher sur toute partie d'un appareil, notamment une porte, un tiroir-réchaud ou un tiroir de rangement. Ceci peut endommager l'appareil qui risque de basculer et causer des blessures sérieuses.

Ne pas permettre aux enfants d'utiliser cet appareil sauf sous la surveillance attentive d'un adulte. Ne pas laisser les enfants et les animaux seuls ou sans surveillance lorsque l'appareil est en service. Ne jamais les laisser jouer aux alentours de l'appareil, que ce dernier soit en service ou non.

ATTENTION

Les articles d'intérêt pour les enfants ne doivent pas être rangés dans un appareil électroménager, dans les armoires au-dessus de l'appareil ou sur le dossier. Les enfants peuvent grimper sur l'appareil pour atteindre ces objets et se blesser sérieusement.

Consignes en matière de nettoyage

AVERTISSEMENT

S'assurer que l'appareil a complètement refroidi (y compris les filtres à graisse et les ampoules, le cas échéant) et que la graisse s'est solidifiée avant de tenter de nettoyer une quelconque partie de l'appareil.

Ne pas utiliser de nettoyeur à vapeur pour nettoyer l'appareil.

Sécurité à l'utilisation

AVERTISSEMENT

Ne pas réparer ni remplacer toute pièce de l'appareil à moins que cela ne soit expressément recommandé dans ce manuel. Ne jamais modifier ni altérer la configuration de l'appareil. Toute installation, réparation ou maintenance inadéquate peut entraîner des blessures ou des dommages matériels. Se reporter à ce manuel pour obtenir des conseils sur la façon de procéder. Toute réparation doit être effectuée par un centre de réparation autorisé par l'usine.

AVERTISSEMENT

RISQUE DE BLESSURE

Des objets posés sur l'appareil risquent de tomber. Ne pas déposer d'objets sur l'appareil.

Installation et entretien corrects

Demandez à l'installateur de vous montrer où se trouve le disjoncteur ou le fusible. Identifier sa position pour pouvoir le retrouver facilement.

Cet appareil doit être adéquatement installé et mis à la terre par un technicien agréé. Branchez l'appareil uniquement dans une prise correctement reliée à la terre. Pour plus de détails, reportez-vous à la notice d'installation.

Cet appareil est destiné uniquement à une utilisation domestique normale. Il n'est pas homologué pour un usage en extérieur. Voyez la énoncé de la garantie limitée. Si vous avez des questions, communiquez avec le fabricant.

Ne pas entreposer ni utiliser de produits chimiques corrosifs, vapeurs, substances inflammables ou produits non alimentaires à l'intérieur ou à proximité de l'appareil. Il a été spécialement conçu pour être utilisé pendant le chauffage et la cuisson des aliments. L'emploi de produits chimiques corrosifs pour chauffer ou nettoyer l'appareil endommagera ce dernier et peut provoquer des blessures.

Ne pas se servir de cet appareil s'il ne fonctionne pas correctement ou s'il est endommagé. Communiquer avec un réparateur autorisé.

Ne pas réparer ni remplacer toute pièce de l'appareil à moins que cela ne soit spécifiquement recommandé par ce manuel. Toute réparation doit être effectuée par un centre de réparation autorisé par l'usine.

ATTENTION

La graisse restant sur les filtres peut se fondre à nouveau et se déplacer à l'intérieur de l'évent.

ATTENTION

Couper le courant au niveau du disjoncteur avant d'enlever une ampoule grillée. Ne pas toucher les ampoules immédiatement après les avoir utilisées. Elles restent chaudes pendant quelques minutes.

AVERTISSEMENT

S'assurer que l'appareil et les ampoules ont refroidi et que le courant qui alimente l'appareil a été coupé avant de changer une ou plusieurs ampoules. Le non respect de cette instruction peut entraîner un choc électrique ou des brûlures. Les lentilles (le cas échéant) doivent être mises en place lors de l'utilisation de l'appareil. Les lentilles (le cas échéant) permettent d'éviter que les ampoules ne se brisent. Les lentilles (le cas échéant) sont en verre. Manipuler avec précaution pour éviter les cassures. Le verre brisé peut être une cause de blessures.

Certaines surfaces peuvent avoir des bords tranchants. Faire attention en étendant le bras derrière l'appareil ou en dessous.

AVERTISSEMENT

Lorsque la hotte aspirante est utilisée en mode d'évacuation d'air simultanément avec un brûleur différent utilisant également la même cheminée, (tels des appareils de chauffage au gaz, à l'huile ou au charbon, des chauffe-eau instantanés ou des chaudières à eau chaude), veillez à ce que l'apport d'air frais soit suffisant pour assurer la combustion adéquate du brûleur.

Un fonctionnement sans risque est possible si la sous-pression dans la pièce où le brûleur est installé ne dépasse pas 4 Pa (0,04 mbar).

On peut y parvenir en acheminant l'air requis pour la combustion à travers des ouvertures non verrouillables, par exemple dans les portes et fenêtres, et en association avec des boîtiers muraux d'admission/d'évacuation d'air fixées au mur ou grâce à d'autres mesures techniques telles qu'un verrouillage réciproque, etc.

AVERTISSEMENT

Évitez l'intoxication au monoxyde de carbone. – Prévoyez une admission d'air adéquate pour empêcher l'aspiration des gaz de combustion dans la pièce.

Un boîtier mural air d'admission/air d'échappement ne peut garantir que la valeur limite ne sera pas dépassée.

Remarque : Lorsque vous évaluez les exigences globales, vous devez tenir compte du système combiné d'aération de la maison au complet. Cette règle ne s'applique pas aux appareils de cuisson, comme les surfaces de cuisson et les fours.

Avertissement issu de la proposition 65

Ce produit pourrait contenir un produit chimique reconnu par l'État de la Californie comme cancérigène ou ayant des effets nocifs sur la reproduction. Par conséquent, l'emballage de votre produit pourrait porter l'étiquette suivante, comme requis par la Californie:

AVERTISSEMENT ISSUE DE LA PROPOSITION 65 DE L'ÉTAT DE LA CALIFORNIE :

⚠ AVERTISSEMENT

Cancer et dommages à la reproduction –
www.P65Warnings.ca.gov

Causes des dommages

⚠ ATTENTION

Risque de détérioration par la corrosion. Toujours allumer l'appareil pendant la cuisson afin d'éviter la formation de condensation. Cette dernière peut provoquer de la corrosion.

Remplacer immédiatement les ampoules défectueuses, afin d'empêcher une surcharge des ampoules restantes. Risque de détérioration par pénétration d'humidité dans l'électronique. Ne jamais nettoyer les commandes avec un chiffon humide.

Détérioration de la surface par un nettoyage inapproprié. Nettoyer les surfaces en inox seulement dans le sens du métal. Ne pas utiliser de nettoyant à inox pour les organes de commande.

Détérioration des surfaces par les produits de nettoyage agressifs ou abrasifs. Ne jamais utiliser de produits de nettoyage agressifs ou abrasifs.

Risque d'endommagement par le reflux de condensat. Installer le canal d'évacuation d'air légèrement incliné vers le bas à partir de l'appareil (1° de pente).

Protection de l'environnement

Déballer l'appareil et jeter l'emballage dans le respect de l'environnement.

Instructions générales

Mode évacuation

Remarque : Il ne faut pas rejeter l'air usé dans une cheminée d'évacuation en service, ni dans un conduit servant à la ventilation de pièces où sont installés des foyers.

- Pour rejeter l'air dans un conduit de fumées qui n'est pas en service, il faut demander l'accord du maître ramoneur compétent.
- Si l'air est évacué à travers le mur extérieur de l'habitation, il faut utiliser un caisson mural télescopique.

Conduit d'évacuation

Remarque : Le fabricant de l'appareil n'assume aucune garantie pour les problèmes dus à la tuyauterie.

- L'appareil atteint sa puissance maximale si le tuyau d'évacuation est court et droit et a un diamètre le plus grand possible.
- L'emploi de tuyaux d'évacuation longs et à surface rugueuse, comportant de nombreux coudes ou ayant un diamètre inférieur à 203 mm (8"), empêche l'appareil d'atteindre sa puissance d'aspiration maximale et le bruit de fonctionnement est plus fort.
- Les tuyaux rigides et souples utilisés pour le conduit d'évacuation doivent être fabriqués dans un matériau non inflammable.

Tuyaux ronds

Un diamètre intérieur de 203 mm (8") est préconisé.

Branchement électrique

▲ AVERTISSEMENT

RISQUE DE CHOC ÉLECTRIQUE

Les pièces se trouvant dans l'appareil peuvent présenter des arêtes vives. Le cordon de branchement peut être endommagé. Ne pas couder ni coincer le cordon de branchement pendant la pose.

Avant de raccorder l'appareil, éteignez le circuit électrique au niveau du panneau de service et verrouillez-le avant de câbler cet appareil.
Condition requise: 120 VCA, 60 Hz 15 A.
(voir la plaque signalétique).

L'appareil répond à la classe de protection I et doit uniquement être utilisé avec une prise de terre.

Un sectionneur omnipolaire avec un interstice d'ouverture de contact d'au moins 3 mm doit être présent dans l'installation. Celui-ci doit encore être accessible après l'encastrement.

Seul un électricien agréé est habilité à installer ou à remplacer le câble de raccordement, en respectant les prescriptions en vigueur.

Respecter toutes les normes et lois en vigueur.

Veiller à ce que le raccordement électrique réponde aux exigences de toutes les normes et lois applicables dans le pays correspondant et aux spécifications des éditions les plus récentes des normes suivantes : National Electrical Code, ANSI/NFPA 70*, ou normes CSA C22.1-94, Code canadien de l'électricité, partie 1 et C22.2 No.0-M91**.

Faire contrôler par un électricien le raccordement à la terre de l'appareil.

Ne pas mettre à la terre avec une canalisation de gaz.

S'assurer de ne pas avoir de fusible dans le circuit électrique neutre ou de mise à la terre.

Conserver la notice de montage. Raccorder l'appareil uniquement avec un câblage de cuivre. Raccorder l'appareil si possible avec un guide de câble métallique directement au boîtier à fusibles.

Le diamètre du fil doit répondre aux exigences de toutes les normes et lois applicables dans le pays correspondant et aux spécifications des éditions les plus récentes des normes suivantes : National Electrical Code ANSI/NFPA 70*, ou normes CSA C22.1-94, Code canadien de l'électricité, partie 1 et C22.2 No. 0-M91**.

Fixer une gaine de protection figurant dans la liste U.L. ou C.S.A. aux deux extrémités du câble de raccordement, à savoir au niveau de l'appareil et au boîtier à fusibles.

Vous pouvez obtenir des copies des normes mentionnées auprès de :

* National Fire Protection Association Batterymarch Park Quincy, Massachusetts 02269

** CSA International 8501 East Pleasant Valley Road Cleveland, Ohio 44131-5575

Avant de commencer

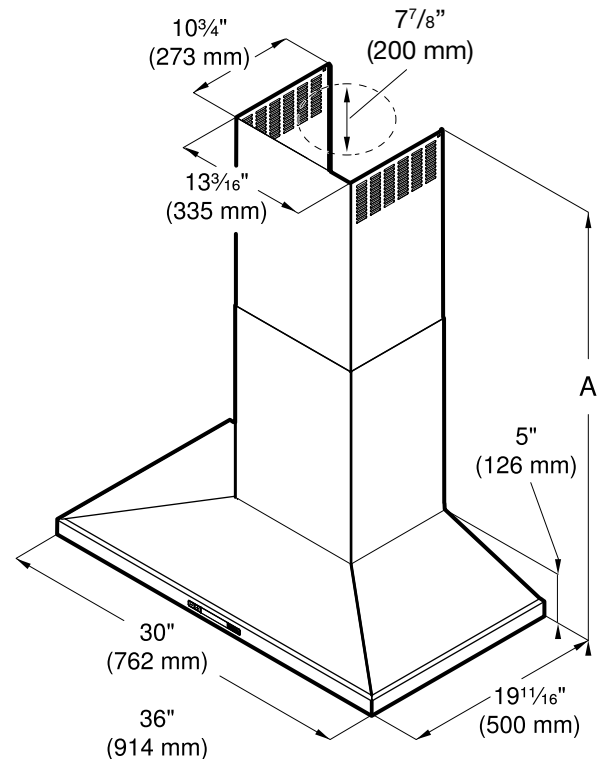
Outils et pièces nécessaires

- Décamètre à ruban
- Crayon
- Tournevis Phillips (Posidrive) #2
- Perceuse avec les forets suivants : 5/16" (7,9 mm) et 3/8" (9,5 mm)
- Niveau à bulle
- Ruban en aluminium (NE PAS utiliser un ruban isolant)
- Canal d'évacuation d'air (la configuration dépend de la situation de montage).
- Vis à tôle supplémentaires (si nécessaires pour l'installation du conduit d'évacuation)
- Scie

Pièces comprises

- Hotte aspirante avec ventilateur, volet anti-refoulement
- Lampe, déjà montée
- Filtre à graisse en métal
- Capot de cheminée
- Gabarit de perçage
- 1 cornière de retenue pour le capot de cheminée
- Notice d'utilisation et d'installation
- 6 vis, 5x45 mm
- 8 vis, 4x8 mm
- 2 rondelles de calage
- 2 chevilles pour corps creux, 8x40 mm
- 4 chevilles pour corps creux, 10x50 mm
- Adaptateur Torx, 10 & 20

Cotes de l'appareil



A	Uniquement en cas de mode recirculation de l'air : *Max. 42 9/16" (1081 mm) *Min. 28 1/4" (718 mm)
	Uniquement en cas de mode évacuation de l'air : *Max. 38 7/8" (988 mm) *Min. 24 9/16" (625 mm)

Distances de sécurité

▲ AVERTISSEMENT

RISQUE D'INCENDIE

Les dépôts de graisse dans le filtre à graisse peuvent s'enflammer. La distance de sécurité recommandée doit être respectée afin d'éviter une accumulation de chaleur. Veuillez respecter les spécifications de votre appareil de cuisson. Si des cuisinières électriques et à gaz sont utilisées ensemble, la plus grande distance indiquée s'applique.

L'appareil peut seulement être installé directement contre un mur ou une armoire sur un côté.

L'espacement du mur ou de l'armoire doit être d'au moins 2" (50 mm).

La distance entre la surface de rangement sur la table de cuisson et le dessous de la hotte ne doit pas être inférieure à 24" (610 mm) pour les tables de cuisson électriques et 30" (760 mm) pour les cuisinières à gaz ou combinées.

Si les instructions pour l'installation de l'appareil de cuisson au gaz spécifient une plus grande distance, celle-ci doit être prise en compte.

Table de cuisson électrique

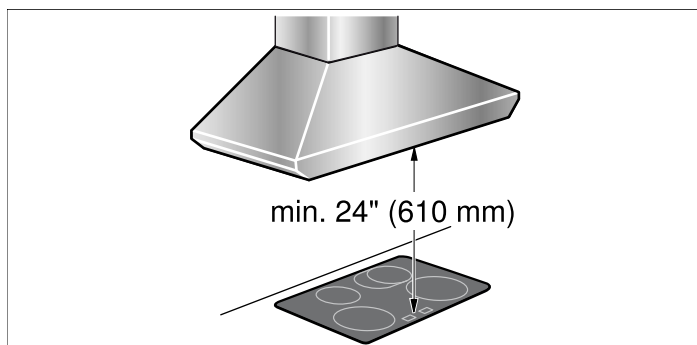
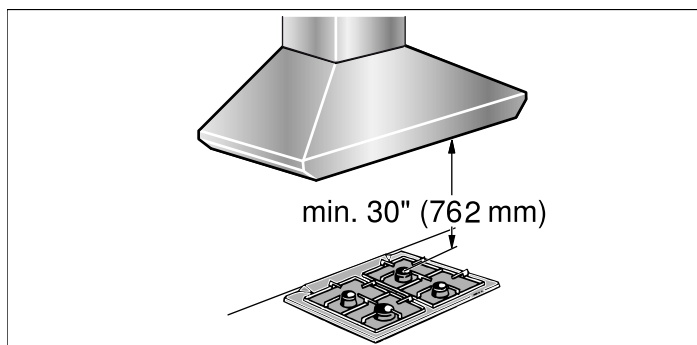


Table de cuisson au gaz



Mode évacuation

Remarque : Il ne faut pas rejeter l'air usé dans une cheminée d'évacuation en service, ni dans un conduit servant à la ventilation de pièces où sont installés des foyers.

- Pour rejeter l'air dans un conduit de fumées qui n'est pas en service, il faut demander l'accord du maître ramoneur compétent.
- Si l'air est évacué à travers le mur extérieur de l'habitation, il faut utiliser un caisson mural télescopique.

Conduit d'évacuation

Remarque : Le fabricant de l'appareil n'est pas responsable du fonctionnement ou des plaintes liés au parcours des conduits.

- L'ouverture d'évacuation d'air et les conduits d'évacuation doivent être exécutés en fonction des conditions locales.
- L'appareil atteindra un rendement supérieur si le conduit d'évacuation est court et droit et que son diamètre est grand.
- Des conduits d'évacuation d'air longs, aux parois rugueuses, comportant plusieurs coudes ou des diamètres trop petits, empêchent d'atteindre une puissance d'aspiration optimale et le ventilateur devient plus bruyant.
- Les tuyaux rigides ou souples constituant le conduit d'évacuation doivent être en matériau ininflammable.
- Lisser la zone de raccordement des tuyaux avant le montage.
- Étancher les zones de jonction.

Tuyaux ronds

Nous recommandons un diamètre intérieur de Ø 8" (203 mm).

Vérifier le mur

- Le mur doit être plat, vertical et offrir une portance suffisante.
- La profondeur des trous percés doit être adaptée à la longueur des vis. Les chevilles doivent offrir une retenue sûre.
- Les vis et chevilles fournies conviennent pour la maçonnerie massive. En présence d'autres matériaux de construction, il faut utiliser des moyens de fixation correspondants.

Procédure d'installation

▲ ATTENTION

Veillez à ce qu'il n'y ait pas de conduites électriques, ou tuyaux de gaz et d'eau au niveau des perçages.

Si vous n'êtes pas sûr, consultez un installateur qualifié.

Préparer l'installation

1. Du plafond au bord inférieur de la hotte aspirante, tracer une ligne médiane verticale sur le mur.
2. Aligner le gabarit de perçage à la ligne médiane et au bord inférieur de la hotte et le coller.
3. Marquer les emplacements des vis et le contour de la zone d'accrochage.
4. Marquer les perçages pour les cornières de retenue de la cheminée. Le milieu des cornières de retenue est repéré par un perçage. Appliquer les cornières de retenue de façon centrée à la ligne médiane, les aligner horizontalement et marquer l'emplacement des perçages.

Montage de la fixation murale

1. Percer les trous avec le foret de $\varnothing 5/16"$ (7,9 mm) pour la cornière de retenue.
2. Enfoncer les chevilles à fleur du mur.
3. Visser les vis (5x45 mm) à la main dans les chevilles, afin d'écartier la cheville.
4. Dévisser les vis.
5. Visser la cornière pour la cheminée.

Percement du plafond

1. Prolonger la ligne médiane du gabarit de perçage vers le plafond à l'aide d'un niveau à bulle.
2. Marquer le perçage du plafond ($\varnothing 8 1/2"$ (216 mm)) à une distance d'au moins $4 5/8"$ (117 mm) du mur.

Percement du mur

1. Prolonger la ligne médiane du gabarit de perçage vers le plafond à l'aide d'un niveau à bulle.
2. En fonction du coude, marquer le perçage du mur ($\varnothing 8 1/2"$ (216 mm)) à une distance d'au moins $26 1/2"$ (660 mm) au-dessus du bord supérieur de la hotte.

Monter la hotte aspirante au mur

▲ AVERTISSEMENT

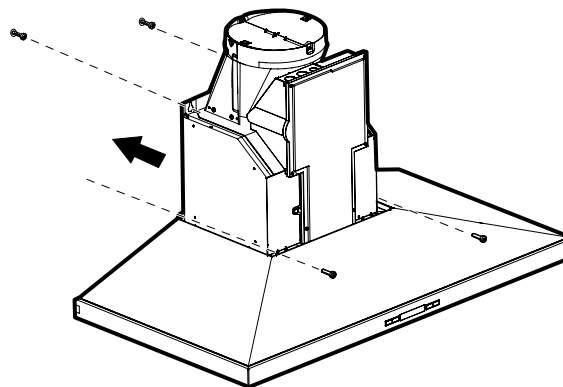
RISQUE DE BLESSURE

L'appareil est lourd. 2 personnes sont nécessaires pour déplacer l'appareil. Utiliser exclusivement des moyens appropriés.

1. Retirer d'abord le film protecteur du dos de l'appareil, puis intégralement une fois le montage achevé.
2. Marquer les perçages supérieurs sur le mur.

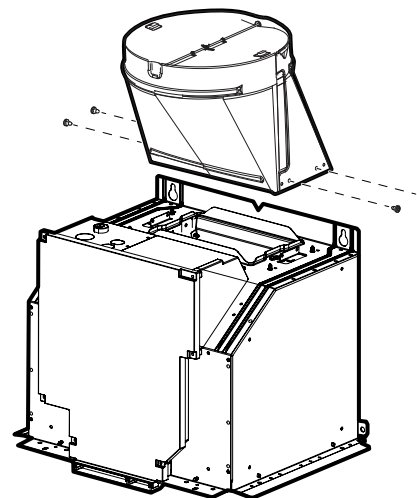
Remarque : S'assurer que les perçages sont alignés horizontalement et de manière centrée à la ligne médiane.

3. Percer les trous supérieurs. Respecter une distance de $1/4"$ (6 mm) entre le mur et la tête de la vis.
4. Enlever le filtre à graisse.
5. Accrocher la hotte au mur aux vis supérieures.
6. Marquer les perçages inférieurs.
7. Enlever la hotte du mur.
8. Percer les trous inférieurs.
9. Accrocher la hotte au mur aux vis supérieures.
10. Serrer les vis supérieures et inférieures à la main.



Montage du volet anti-refoulement

Visser le volet anti-refoulement sur la hotte à l'aide de 4 vis (4x8 mm).



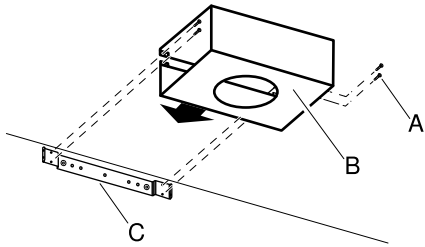
Effectuer le raccordement de l'évacuation de l'air (uniquement en cas de mode évacuation de l'air)

Remarque : En cas d'utilisation d'un tuyau en aluminium, lisser au préalable la zone de raccordement.

1. Fixer le tuyau d'évacuation et l'étancher.
2. Vérifier si le volet anti-refoulement fonctionne.

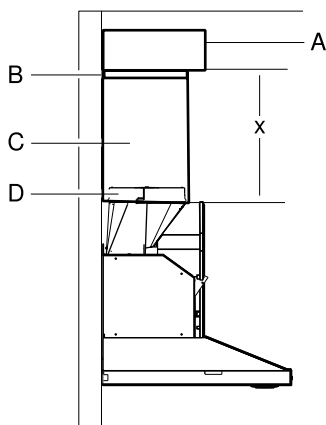
Montage du module de recirculation (uniquement en cas de mode recirculation)

1. Visser le boîtier pour le module de recirculation sur la cornière de retenue à l'aide de 4 vis (4x8 mm).



A	Vis
B	Module de recirculation
C	Cornière de retenue

2. Mesurer la distance (x) entre le bord inférieur du boîtier pour le module de recirculation et le bord inférieur du volet anti-refoulement.



A	Module de recirculation
B	Colliers
C	Capot de cheminée
D	Canal d'évacuation d'air

3. Raccourcir le tuyau d'évacuation à la longueur mesurée.
4. Enlever le module de recirculation.
5. Pousser le tuyau d'évacuation sur la face inférieure du module de recirculation.
6. Positionner le module de recirculation avec le tuyau d'évacuation sur le canal d'évacuation.

7. Fixer le module de recirculation sur la cornière de retenue à l'aide de 4 vis.
8. Assurer les jonctions avec les colliers.

Brancher l'alimentation électrique

⚠ AVERTISSEMENT

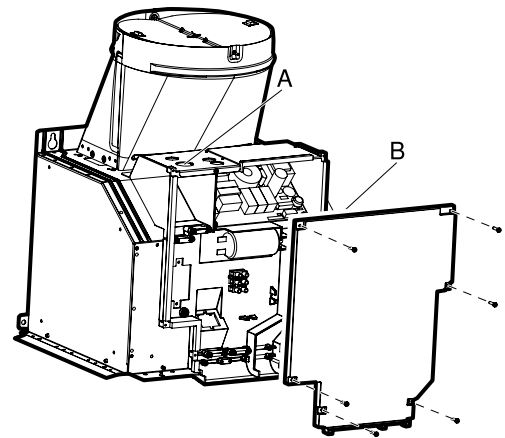
RISQUE D'ÉLECTROCUTION

Avant de procéder au câblage de l'appareil, couper le circuit électrique principal au boîtier électrique. Un circuit électrique de 120 VAC, 15 ou 20 ampères est nécessaire.

Indications pour la mise à la terre : Cet appareil est équipé d'un boîtier de distribution avec 3 câbles. Utiliser le câble vert-jaune pour la mise à la terre de l'appareil. Relier le câble vert-jaune au câble de mise à la terre du raccordement domestique, afin d'éviter une décharge électrique. N'endommager ou n'enlever en aucun cas le câble vert-jaune. Le non-respect peut conduire à des blessures mortelles ou des décharges électriques.

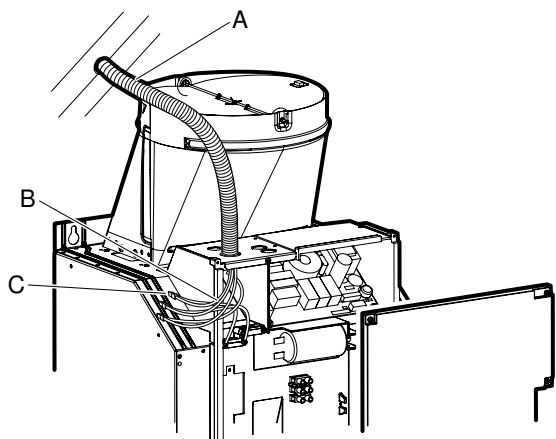
Les travaux d'installation et de raccordement électrique doivent être effectués par une personne qualifiée, conformément aux codes et standards de construction, y compris ceux concernant le feu.

1. Enlever le passage de câbles côté gauche et le couvercle de la commande du moteur. Fixer la pièce de raccordement pour la gaine d'installation (dans la liste cULUS) au passage de câbles.



A	Passage de câbles
B	Couvercle de la commande du moteur

2. Raccorder la gaine d'installation de 1/2" (12,7 mm) à la commande du moteur.



A	Gaine d'installation
B	Raccordement électrique
C	Connecteurs de câbles indiqués dans la liste UL

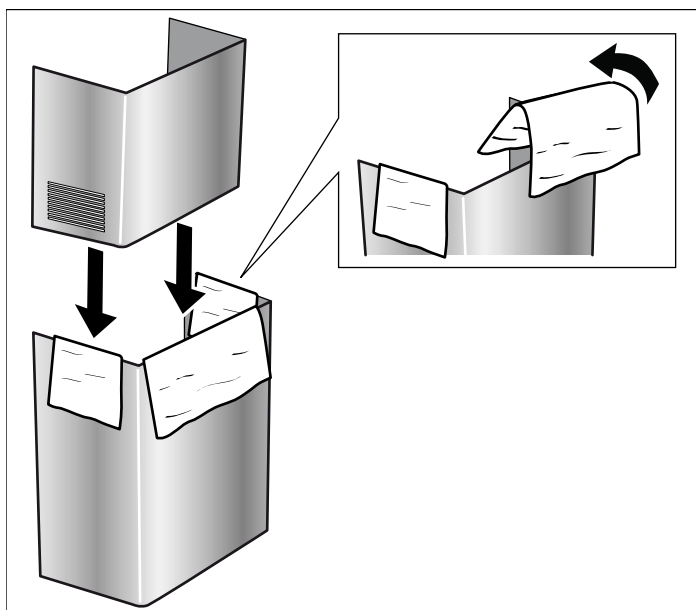
Monter le capot de cheminée

Certaines surfaces peuvent avoir des bords tranchants. Faire attention en étendant le bras derrière l'appareil ou en dessous.

1. Retirer les films protecteurs recouvrant les deux capots de cheminée.
2. Faire coulisser les capots de cheminée l'un dans l'autre.

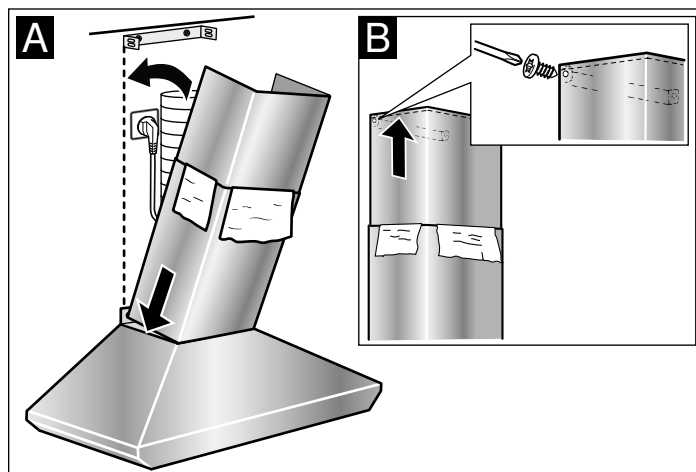
Remarques

- Pour éviter des rayures, poser du papier, à titre de protection, sur les bords du capot extérieur.
- En mode évacuation de l'air, tourner le capot de cheminée de façon à que les fentes d'aération se trouvent en bas.



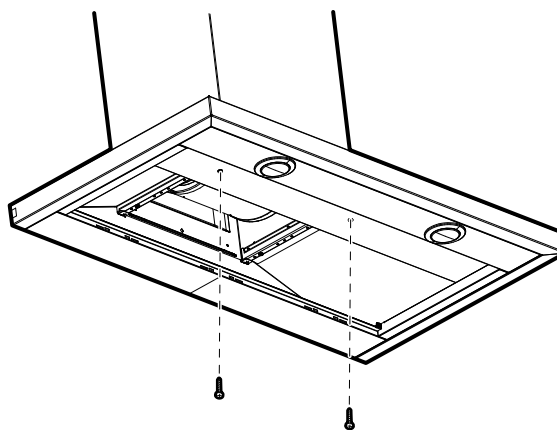
3. Retirer les films protecteurs recouvrant la hotte.
4. Poser les capots de cheminée sur l'appareil.
5. Pousser le capot de cheminée intérieur vers le haut et l'accrocher sur les côtés gauche et droit à la cornière de retenue.

6. À l'aide de deux vis, visser le capot de cheminée latéralement sur la cornière de retenue.



A	Capot de cheminée supérieur
B	Capot de cheminée inférieur
C	Vis
D	Cornière de retenue

7. Fixer la partie inférieure du capot de cheminée à l'aide de deux vis.



8. Mettre en place le filtre à graisse en métal.

Dépose de l'appareil

1. Retirer le filtre à graisse en métal.
2. Détacher le capot de cheminée.
3. Mettre l'appareil hors tension.
4. Détacher les conduits d'évacuation.
5. Desserrer les vis pour la fixation de l'appareil.
6. Enlever l'appareil.

Contenido

Definiciones de Seguridad	27
INSTRUCCIONES DE SEGURIDAD IMPORTANTES ..	28
Indicaciones generales	28
Seguridad para evitar incendios	28
Prevención de quemaduras	29
Seguridad de los niños	30
Seguridad en la limpieza	30
Seguridad durante su uso	30
Instalación y mantenimiento adecuados	30
Advertencias en virtud de la Proposición 65 del estado de California	31
Causas de daños	31
Protección del medio ambiente	31
Información general	32
Funcionamiento con extracción de aire	32
Conducto de escape	32
Conexión eléctrica	32
Antes de empezar	33
Herramientas y piezas necesarias	33
Piezas incluidas	33
Dimensiones del equipo	33
Distancias de seguridad	34
Funcionamiento con extracción de aire	34
Conducto de escape	34
Revisar la pared	34
Procedimiento de instalación	35
Preparativos de la instalación	35
Montaje del soporte de la pared	35
Realización de la perforación del techo	35
Realización de la perforación mural	35
Montaje de la válvula de retención	35
Montaje del módulo de recirculación (solo con funcionamiento en recirculación)	36
Conexión de la alimentación eléctrica	36
Montaje del revestimiento de la chimenea	37
Desmontaje del aparato	37

Encontrará más información sobre productos, accesorios, piezas de repuesto y servicios en internet: www.bosch-home.com y también en la tienda online: www.bosch-home.com/us/store

Definiciones de Seguridad

▲ ADVERTENCIA

Esto indica que se pueden producir lesiones graves o la muerte si no se cumple con esta advertencia.

▲ ATENCION

Esto indica que pueden producirse lesiones leves o moderadas si no se cumple con esta advertencia.

AVISO: esto indica que puede producirse un daño al electrodoméstico o a la propiedad como resultado de la falta de cumplimiento de este aviso.

Nota: Esto lo alerta sobre información y/o consejos importantes.

INSTRUCCIONES DE SEGURIDAD IMPORTANTES

LEA Y CONSERVE ESTAS INSTRUCCIONES

ADVERTENCIA

Su nuevo electrodoméstico ha sido diseñado para ser seguro y confiable si recibe el cuidado adecuado. Lea atentamente todas las instrucciones antes de usarlo. Estas precauciones reducirán el riesgo de quemaduras, descarga eléctrica, incendio y lesiones a personas. Al utilizar electrodomésticos de cocina, se deben tomar precauciones de seguridad básicas, incluidas las que se encuentran en las páginas siguientes.

Indicaciones generales

Una vez retirado el embalaje, revise el aparato. No lo conecte si ha sufrido daños durante el transporte.

ADVERTENCIA

PARA REDUCIR EL RIESGO DE INCENDIO, CHOQUE ELÉCTRICO O LESIONES A LAS PERSONAS, OBSERVE LAS SIGUIENTES RECOMENDACIONES:

- Utilice esta unidad sólo de la manera indicada por el fabricante. Si tiene preguntas, póngase en contacto con el fabricante.
 - Antes de reparar o limpiar la unidad, desconecte el suministro eléctrico en el panel de servicio y bloquee el servicio desconectando las conexiones para evitar que se encienda accidentalmente.
Cuando no pueda bloquearse la desconexión del servicio, coloque un aviso prominente de advertencia, como un letrero, en el panel de servicio.
-

ADVERTENCIA

ADVERTENCIA – PARA REDUCIR EL RIESGO DE INCENDIO, CHOQUE ELÉCTRICO O LESIONES A LAS PERSONAS, OBSERVE LAS SIGUIENTES RECOMENDACIONES

- El trabajo de instalación y el cableado eléctrico deben realizarse por personal calificado conforme a todos los códigos y estándares aplicables, incluyendo construcción contra incendios.
 - Se requiere suficiente aire para la combustión y escape adecuado de gases por el conducto (chimenea) del equipo que quema combustible para evitar la contracorriente. Siga la directriz y las normas de seguridad del fabricante de equipos de calefacción, como las publicadas por La Asociación Nacional para la Protección contra Incendios (NFPA, por sus siglas en inglés) y la Sociedad Americana de Ingenieros en Calefacción, Refrigeración y Aire Acondicionado (ASHRAE, por sus siglas en inglés) y las autoridades locales correspondientes.
 - Al cortar o perforar la pared o el techo, no dañe el cableado eléctrico u otras instalaciones ocultas.
 - Los ventiladores entubados siempre deben ser ventilados hacia el exterior.
-

Este electrodoméstico no fue diseñado para ser usado con un temporizador externo ni con un control remoto. No utilice cable de extensión para la instalación de su campana.

Tenga un extinguidor de incendio disponible, cerca, en un área fácilmente visible y accesible, cerca del electrodoméstico.

Seguridad para evitar incendios

ADVERTENCIA

Para reducir el riesgo de incendio y para hacer que el aire salga al exterior correctamente, asegúrese de que haya un conducto que lo dirija hacia afuera. No dirija el aire de salida hacia lugares cerrados, espacios dentro de paredes, techos, áticos, huecos sanitarios o garajes.

ADVERTENCIA

A fin de reducir el riesgo de incendio, utilizar únicamente conducciones de metal.

Siempre tenga un detector de humo en funcionamiento cerca de la cocina.

ADVERTENCIA

PARA REDUCIR EL RIESGO DE INCENDIO OCASIONADO POR LA GRASA EN LA ESTUFA:

- a. Nunca deje las unidades de la superficie sin vigilancia en valores altos. Los derrames por hervor producen humos y salpicaduras grasosas que pueden prenderse fuego. Caliente los aceites despacio a temperaturas bajas o medianas.
- b. Siempre encienda la campana al cocinar a una temperatura alta.
- c. Limpie los ventiladores extractores con frecuencia. No se debe permitir la acumulación de la grasa en el ventilador ni en el filtro.
- d. Use el tamaño de cacerola adecuado. Siempre use utensilios de cocina apropiados para el tamaño del elemento de la superficie.

No flambee alimentos bajo la campana no decorativa ni trabaje con la llama abierta. Cuando está encendida, la campana extractora atrae las llamas hacia el filtro. ¡Siempre existe el riesgo de incendio debido a los depósitos en el filtro de grasa!

ATENCIÓN

Solo para la ventilación general. No utilizar para la extracción de sustancias y vapores peligrosos o explosivos.

En el caso de que su ropa se prenda fuego, arrójese al piso y ruede de inmediato para extinguir las llamas. Sofoque las llamas provocadas por alimentos que se prenden fuego, que no sean incendios ocasionados por grasa, con bicarbonato de sodio. Nunca use agua en incendios ocasionados al cocinar.

INSTRUCCIONES DE SEGURIDAD IMPORTANTES

LEA Y CONSERVE ESTAS INSTRUCCIONES

ADVERTENCIA

PARA REDUCIR EL RIESGO DE LESIONES A PERSONAS EN CASO DE INCENDIO OCASIONADO POR GRASA EN LA ESTUFA, SIGA ESTAS INDICACIONES:

- SOFOQUE LAS LLAMAS con una tapa que ajuste correctamente, una placa para galletas u otra bandeja de metal; luego, apague la hornilla. ASEGÚRESE DE PREVENIR LAS QUEMADURAS. Si las llamas no se apagan de inmediato, EVACUE EL ÁREA Y LLAME AL DEPARTAMENTO DE BOMBEROS.
- NUNCA LEVANTE UNA OLLA EN LLAMAS ya que se puede quemar.
- NO USE AGUA, ni toallas o repasadores húmedos, ya que puede ocasionar una violenta explosión por vapor.
- Use un extinguidor SÓLO si:
 - Sabe que tiene un extinguidor Clase ABC y ya sabe cómo usarlo.
 - El incendio es pequeño y se limita al área donde se originó.
 - Alguien llamó al departamento de bomberos.
 - Puede combatir el incendio de espaldas a una salida.

Si es posible, no ponga el sistema de ventilación en funcionamiento si hay un incendio en la placa. Pero no atraviese el fuego con la mano para apagarla.

ADVERTENCIA

RIESGO DE INCENDIO

Los quemadores de gas en los que no se haya colocado ningún recipiente para cocinar encima, generan gran cantidad de calor durante su funcionamiento. Eso puede dañar o incendiar el aparato de ventilación situado encima. Utilizar los quemadores de gas únicamente colocando encima recipientes para cocinar.

ADVERTENCIA

PELIGRO DE INCENDIO

Cuando se usan simultáneamente varios quemadores de gas se genera mucho calor. Eso puede dañar o incendiar el aparato de ventilación situado encima. No utilizar simultáneamente durante más de 15 minutos dos zonas de cocción de gas con una llama grande. Un quemador grande con más de 17,000 Btu/hr (5 kW) (wok) equivale a la potencia de dos quemadores de gas.

ADVERTENCIA

PELIGRO DE INCENDIO

El aceite y la grasa calientes son altamente inflamables. Nunca deje aceite ni grasa calientes sin supervisión. Nunca extinga un incendio con agua. Apague la zona de cocina. Sofoque las llamas con cuidado con una tapa, una manta ignífuga o un objeto similar.

ADVERTENCIA

PELIGRO DE INCENDIO

Los depósitos de grasa en el filtro de grasa se pueden incendiar.

Limpie el filtro de grasa por lo menos cada dos meses o tan frecuentemente como sea necesario.

Nunca haga funcionar el equipo sin filtro de grasa.

ADVERTENCIA

PELIGRO DE INCENDIO

Los depósitos de grasa en el filtro de grasa se pueden incendiar. Nunca trabaje con flama abierta cerca del equipo (por ejemplo con platillos flameados). Solamente instale el equipo cerca de un fogón para sustancias sólidas (p. ej. madera o carbón) si está disponible una cubierta cerrada que no se pueda quitar. No deben volar las chispas.

Prevención de quemaduras

ADVERTENCIA

RIESGO DE QUEMADURAS

Al estar en funcionamiento, las partes accesibles se calientan mucho. Nunca toque las partes calientes. Mantenga alejados a los niños.

INSTRUCCIONES DE SEGURIDAD IMPORTANTES

LEA Y CONSERVE ESTAS INSTRUCCIONES

Seguridad de los niños

Cuando los niños tienen la edad adecuada para utilizar el electrodoméstico, es responsabilidad legal de los padres o tutores legales asegurarse de que reciban las instrucciones sobre prácticas seguras por parte de personas calificadas.

Retire toda la cinta y el embalaje antes de usar el electrodoméstico. Destruya el embalaje después de desembalar el electrodoméstico. Nunca deje que los niños jueguen con el material de embalaje.

No deje que nadie se suba, pare, incline, sienta o cuelgue de cualquier parte de un electrodoméstico, especialmente una puerta, cajón calentador o cajón para almacenamiento. Esto puede dañar el electrodoméstico, y la unidad puede caerse y, posiblemente, causar lesiones graves.

No permita que niños utilicen este electrodoméstico, a menos que sean supervisados de cerca por un adulto. Los niños y las mascotas no deben quedar solos o sin vigilancia en el área donde se utilice el electrodoméstico. Nunca se les debe permitir jugar cerca del electrodoméstico, independientemente de que esté en funcionamiento o no.

ATENCIÓN

Los objetos de interés para niños no deben almacenarse en un electrodoméstico, en gabinetes sobre un electrodoméstico ni en la placa antisalpicaduras. Si los niños se suben a un electrodoméstico para alcanzar estos objetos, podrían sufrir lesiones graves.

Seguridad en la limpieza

ADVERTENCIA

Asegúrese de que todo el electrodoméstico (incluidos los filtros de grasa y los focos, si corresponde) se haya enfriado y la grasa se haya solidificado antes de intentar limpiar cualquier parte del electrodoméstico.

No use limpiadores a vapor para limpiar el aparato.

Seguridad durante su uso

ADVERTENCIA

No repare ni reemplace ninguna parte del electrodoméstico, a menos que esté específicamente recomendado en este manual. Nunca modifique ni altere la construcción del electrodoméstico. La instalación, servicio técnico o mantenimiento incorrectos pueden causar lesiones o daños materiales. Consulte este manual para su orientación. Remita todas las reparaciones a un centro de servicio técnico autorizado por la fábrica.

ADVERTENCIA

RIESGO DE LESIONES

Los objetos situados sobre el aparato pueden caerse. No colocar objetos sobre el aparato.

Instalación y mantenimiento adecuados

Pídale al instalador que le muestre la ubicación del disyuntor o el fusible. Márquela para recordarla más fácilmente.

Este electrodoméstico debe ser correctamente instalado y conectado a tierra por un técnico calificado. Conéctelo sólo a una toma de corriente eléctrica correctamente conectada a tierra. Para obtener más información, consulte las Instrucciones de instalación.

Este electrodoméstico ha sido diseñado para uso doméstico normal únicamente. No está aprobado para uso en exteriores. Consulte la declaración de garantía limitada del producto. Si tiene alguna pregunta, comuníquese con el fabricante.

No almacene ni utilice productos químicos corrosivos, vapores, materiales inflamables ni productos no alimenticios dentro de este electrodoméstico ni cerca de él. Está específicamente diseñado para calentar o cocinar alimentos. El uso de productos químicos corrosivos al calentar o limpiar dañará el electrodoméstico y podría causar lesiones.

No utilice este electrodoméstico si no funciona correctamente o si ha sido dañado. Comuníquese con un centro de servicio técnico autorizado.

No repare ni cambie ninguna parte del electrodoméstico, a menos que se recomiende específicamente en este manual. Remita todas las reparaciones a un centro de servicio técnico autorizado por la fábrica.

ATENCIÓN

La grasa acumulada en los filtros puede volver a derretirse y entrar en la abertura de ventilación.

ATENCIÓN

Apague la alimentación eléctrica en el disyuntor antes de retirar un foco dañado. No toque los focos inmediatamente después de que hayan estado en uso. Los focos permanecen calientes durante varios minutos.

ADVERTENCIA

Asegúrese de que el electrodoméstico y las luces se hayan enfriado, y de que la alimentación eléctrica del electrodoméstico esté apagada antes de cambiar el (los) foco(s). No hacerlo podría ocasionar una descarga eléctrica o quemaduras. La lente (si viene incorporada) debe estar en su lugar al usar el electrodoméstico. La lente (si viene incorporada) sirve para proteger el foco contra roturas. La lente (si viene incorporada) es de vidrio. Manipúlela con cuidado para que no se rompa. El vidrio roto podría causar una lesión.

Las superficies ocultas pueden tener bordes filosos. Proceda con cuidado al intentar tomar el electrodoméstico por la parte trasera o desde abajo.

ADVERTENCIA

Cuando se utiliza la campana en modo de aire de escape simultáneamente con un quemador diferente que también usa la misma chimenea (como calentadores a gas, aceite o carbón, calentadores de flujo continuo, calentadores de agua) se debe asegurar que haya un suministro de aire fresco suficiente para las necesidades de combustión del quemador.

La operación segura es posible siempre que la subpresión de la habitación donde está instalado el quemador no supere los 4 Pa (0.04 mbar).

Esto es posible si el aire de combustión puede circular a través de aberturas que no puedan trabarse, como ser en puertas y ventanas, y a través de cajas de entrada/salida de aire en la pared, o mediante otras medidas técnicas, como enclavamiento recíproco, etc.

ADVERTENCIA

Evite la intoxicación por monóxido de carbono: proporcione una entrada de aire suficiente para que los gases de la combustión no vuelvan a ingresar en la habitación.

Una caja de entrada/salida de aire en la pared por sí sola no garantiza que no se superará el valor límite.

Nota: Al evaluar el requisito total, se debe tener en cuenta el sistema de ventilación combinado para todo el hogar. Esta norma no se aplica al uso de aparatos de cocina, como parrillas y hornos.

Advertencia en virtud de la Proposición 65

Este producto puede contener un químico que el Estado de California reconoce como potencialmente cancerígeno o causante de daños reproductivos. Por tanto, su producto debe llevar en su embalaje la siguiente etiqueta de conformidad con la legislación de California:

ADVERTENCIA EN VIRTUD DE LA PROPOSICIÓN 65 DEL ESTADO DE CALIFORNIA:

ADVERTENCIA

Cáncer y daño reproductivo - www.P65Warnings.ca.gov.

Causas de daños

ATENCION

Peligro de daños por corrosión. Encender siempre el aparato cuando se vaya a cocinar con el fin de evitar la formación de agua condensada. El agua condensada puede conllevar daños por corrosión.

Cambiar de inmediato las lámparas defectuosas para evitar una sobrecarga en las demás.

Peligro de daños por humedad que penetre en el sistema eléctrico. Nunca limpie los elementos de operación con trapos mojados.

Daño en la superficie por limpieza inadecuada. Limpie las superficies de acero inoxidable solamente en dirección del tallado original. No utilice limpiador para acero inoxidable para elementos de servicio.

Daño en la superficie por productos de limpieza agresivos o por frotación. Nunca use productos de limpieza agresivos o por frotación.

Peligro de daños por recirculación del vapor condensado. Instalar el canal de salida de aire del aparato ligeramente inclinado hacia abajo (1° de desnivel).

Protección del medio ambiente

Saque el equipo de su empaque y elimine éste de forma ecológica.

Información general

Funcionamiento con extracción de aire

Nota: La emisión de los gases no se debe canalizar hacia una chimenea de humo o de gases de escape que esté en funcionamiento, ni hacia un tiro que sirva para sacar el aire de las habitaciones donde haya equipos con fuego.

- Si los gases de escape se van a canalizar hacia una chimenea de humo o de gases de escape que no esté en funcionamiento, se tiene que conseguir la aprobación del especialista en chimeneas correspondiente.
- Si las emisiones de gases se canalizan a través del muro externo, se tiene que utilizar una caja telescópica para muros.

Conducto de escape

Nota: El fabricante no asume ninguna garantía por las reclamaciones debidas a la tubería.

- El equipo consigue su mejor funcionamiento con un tubo de escape corto, recto y con el diámetro del tubo lo más grande posible.
- Con tubos de escape largos, ásperos, con muchos dobleces, o tubería de diámetro menor a 8" (203 mm) no se alcanza la potencia de succión óptima y el ruido del ventilador es más alto.
- Las tuberías o los tubos para el tendido de la línea de escape deben hacerse de material no combustible.

Tubos redondos

Se recomienda un diámetro interior de 8" (203 mm).

Conexión eléctrica

▲ ADVERTENCIA

PELIGRO DE DESCARGA ELÉCTRICA

Los componentes dentro del equipo pueden tener bordes filosos. Puede dañarse el cable de conexión. No retorcer ni constreñir el cable durante la instalación.

Apague el circuito de alimentación en el panel de servicio y bloquee el panel antes de cablear este aparato. Requisito: 120 VAC, 60 Hz 15 A. (ver placa de características).

El aparato pertenece a la clase de protección I y solo puede utilizarse conectado a una conexión con conductor de toma a tierra.

Para la instalación se necesita un dispositivo de separación omnipolar con una abertura de contacto de 3 mm como mínimo. Este dispositivo debe estar accesible incluso después del montaje.

La colocación o la sustitución del cable de conexión solo puede llevarla a cabo un técnico electricista observando las instrucciones pertinentes.

Seguir todas las normas y disposiciones legales.

Asegurarse de que la conexión eléctrica satisface las exigencias de todas las normas y disposiciones legales aplicables en cada país relativas a las últimas versiones de las siguientes normas: Código Eléctrico Nacional (NEC), ANSI/NFPA 70* o estándares CSA C22.1-94, Código Eléctrico Canadiense (CEC), parte 1 y C22.2 n.º 0-M91**.

Solicitar a un instalador eléctrico que compruebe la toma a tierra del aparato.

No conectar a tierra con conducto de gas.

No debe colocarse ningún fusible en el circuito eléctrico neutro o en el de toma a tierra.

Conservar las instrucciones de montaje. Conectar el aparato solo con cable de cobre. De ser posible, conectar el aparato con una guía de cable metálica directamente a la caja de fusibles.

El diámetro del alambre debe cumplir las exigencias de todas las normas y disposiciones legales aplicables en cada país relativas a las últimas versiones de las siguientes normas: Código Eléctrico Nacional (NEC), ANSI/NFPA 70* o estándares CSA C22.1-94, Código Eléctrico Canadiense (CEC), parte 1 y C22.2 n.º 0-M91**.

Colocar un tubo aislante, incluido en la lista U.L. o C.S.A., en los dos extremos del cable de conexión, es decir, en el aparato y en la caja de fusibles.

Hay disponible una copia de las normas en cuestión en:

* National Fire Protection Association Batterymarch Park Quincy, Massachusetts 02269

** CSA International 8501 East Pleasant Valley Road Cleveland, Ohio 44131-5575

Antes de empezar

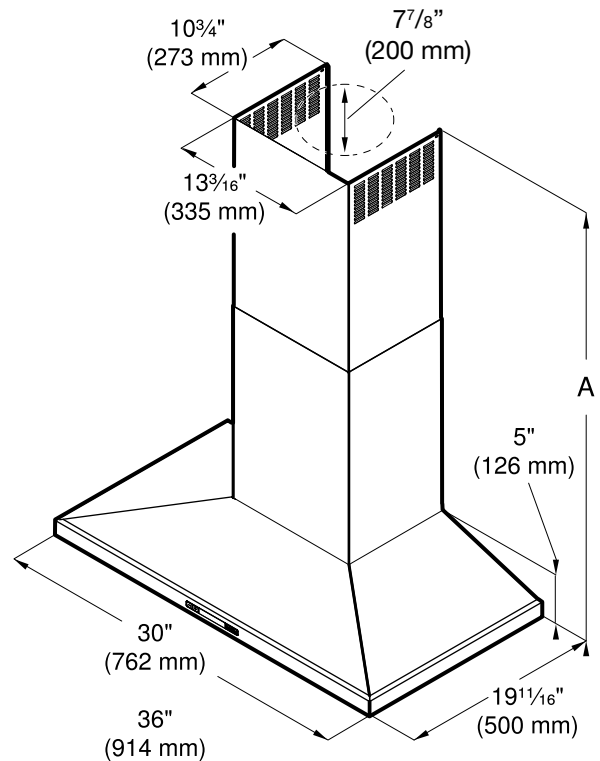
Herramientas y piezas necesarias

- Cinta métrica
- Lápiz
- Desarmador Phillips (Posidrive) #2
- Taladro con las siguientes brocas: 5/16" (7,9 mm) y 3/8" (9,5 mm)
- Nivel de burbuja
- Cinta de aluminio (NO usar cinta aislante)
- Conducto de salida de aire (la configuración depende de la situación de montaje).
- Además, tornillos para chapa (en caso de que sea necesario para la instalación del conducto de salida del aire)
- Sierra

Piezas incluidas

- Campana extractora con ventilador, válvula de retención
- Lámpara, ya montada
- Filtro de metal antigrasa
- Revestimiento de la chimenea
- Plantilla para taladrar
- 1 escuadra de sujeción para el revestimiento de la chimenea
- Instrucciones de uso e instrucciones de instalación
- 6 tornillos, 5x45 mm
- 8 tornillos, 4x8 mm
- 2 arandelas
- 2 taquetes huecos, 8x40 mm
- 4 taquetes huecos, 10x50 mm
- Adaptador torx, 10 y 20

Dimensiones del equipo



-
- A Solo con funcionamiento en recirculación:
*Max. 42 9/16" (1081 mm)
*Min. 28 1/4" (718 mm)
- Solo con funcionamiento en salida de aire al exterior:
*Max. 38 7/8" (988 mm)
*Min. 24 9/16" (625 mm)
-

Distancias de seguridad

▲ ADVERTENCIA

RIESGO DE INCENDIO

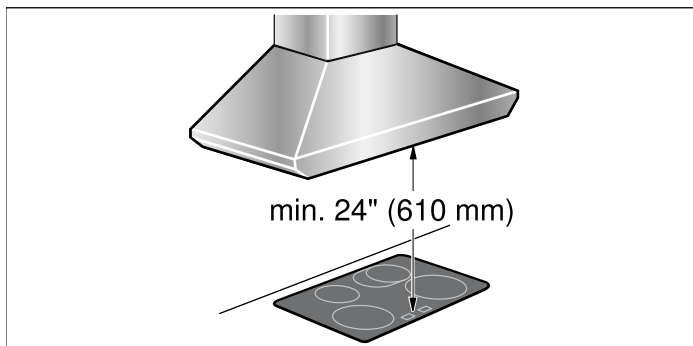
Los depósitos de grasa en el filtro antigrasa pueden incendiarse. Se debe observar el espacio libre de seguridad dado para evitar la acumulación de calor. Tener en cuenta las especificaciones de su aparato de cocción. Si se usan conjuntamente placas de cocción eléctricas y de gas, entonces aplicará el mayor espacio libre indicado.

El aparato solo se podrá instalar directamente junto a un gabinete o pared a un lado. El espacio libre de la pared o del gabinete debe ser por lo menos de 2" (50 mm).

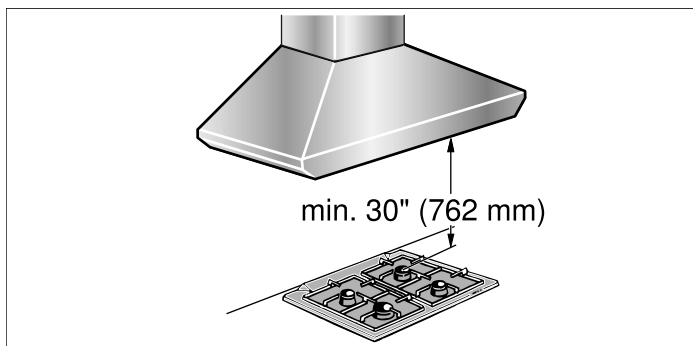
La distancia entre las superficies de apoyo sobre la placa de cocción y la parte inferior de la campana extractora no debe superar 24" (610 mm), en caso de placas de cocción eléctricas, y 30" (760 mm), en caso de estufas de gas o combinadas.

Cuando las instrucciones de instalación de la estufa de gas establecen una distancia mayor, esta deberá tenerse en cuenta.

Placa de cocción eléctrica



Placa de cocción de gas



Funcionamiento con extracción de aire

Nota: La emisión de los gases no se debe canalizar hacia una chimenea de humo o de gases de escape que esté en funcionamiento, ni hacia un tiro que sirva para sacar el aire de las habitaciones donde haya equipos con fuego.

- Si los gases de escape se van a canalizar hacia una chimenea de humo o de gases de escape que no esté en funcionamiento, se tiene que conseguir la aprobación del especialista en chimeneas correspondiente.
- Si las emisiones de gases se canalizan a través del muro externo, se tiene que utilizar una caja telescópica para muros.

Conducto de escape

Nota: El fabricante del aparato no es responsable de la operación o quejas asociadas con el segmento de conductos.

- La abertura de salida de aire y los conductos del aire de salida deben estar montados conforme a los requerimientos locales.
- El aparato alcanza su potencia óptima con un conducto de salida de aire rectilíneo y corto y con un diámetro grande de conducto en la medida de lo posible.
- Con conductos de salida de aire largos y rugosos, muchos codos de tubo o diámetros de tubo de un tamaño demasiado pequeño, no se consigue la capacidad de aspiración óptima y los ruidos del ventilador serán mayores.
- Los conductos o mangueras para el tendido del conducto de salida del aire deben estar fabricados con material ignífugo.
- Antes del montaje, pulir previamente la zona de empalme de los conductos.
- Obturar los puntos de unión de los tubos.

Conductos cilíndricos

Se recomienda un diámetro interior de Ø 8" (203 mm).

Revisar la pared

- La pared debe ser plana, vertical y tener suficiente capacidad de carga.
- La profundidad de los agujeros debe ser equivalente a la longitud de los tornillos. Los taquetes deben quedar bien sujetos.
- Los tornillos y taquetes suministrados son apropiados para mampostería sólida. Para otro tipo de construcciones se deberán utilizar medios de fijación apropiados.

Procedimiento de instalación

▲ ATENCION

Asegurarse de que no haya cables eléctricos o tuberías de gas o agua en el área donde se va a taladrar.

Si no está seguro, consulte a un técnico calificado.

Preparativos de la instalación

1. Dibujar en la pared una línea central vertical desde el techo hasta el borde inferior de la campana extractora.
2. Colocar la plantilla para taladrar en el eje central y en el borde inferior de la campana extractora y pegarla.
3. Dibujar las posiciones para los tornillos y el contorno de la zona de enganche.
4. Dibujar los agujeros para la escuadra de fijación de la chimenea. El centro de la escuadra de fijación está marcado con un agujero. Colocar las escuadras de sujeción en el medio del eje central, alinearlas horizontalmente y marcar la posición de los agujeros.

Montaje del soporte de la pared

1. Perforar agujeros de $\varnothing 5/16"$ (7,9 mm) para la escuadra de fijación.
2. Introducir los taquetes de forma que queden enrasados con la pared.
3. Atornillar con la mano los tornillos (5x45 mm) en los taquetes para que estos últimos se abran.
4. Desatornillar los tornillos.
5. Atornillar la escuadra de sujeción para la chimenea.

Realización de la perforación del techo

1. Con ayuda de un nivel de burbuja, alargar hasta el techo el eje central de la plantilla para taladrar.
2. Dibujar la perforación de techo ($\varnothing 8 1/2"$ (216 mm)) a una distancia de al menos $4 5/8"$ (117 mm) de la pared.

Realización de la perforación mural

1. Con ayuda de un nivel de burbuja, alargar hasta el techo el eje central de la plantilla para taladrar.
2. Teniendo en cuenta el codo del tubo, dibujar la perforación mural ($\varnothing 8 1/2"$ (216 mm)) a, al menos, $26 1/2"$ (660 mm) por encima el borde inferior de la campana.

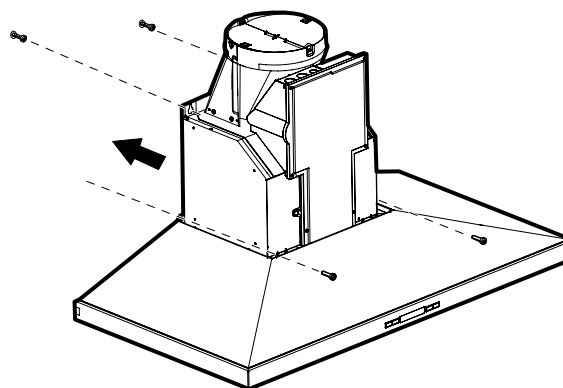
Montaje de la campana en la pared

▲ ADVERTENCIA

RIESGO DE LESIONES

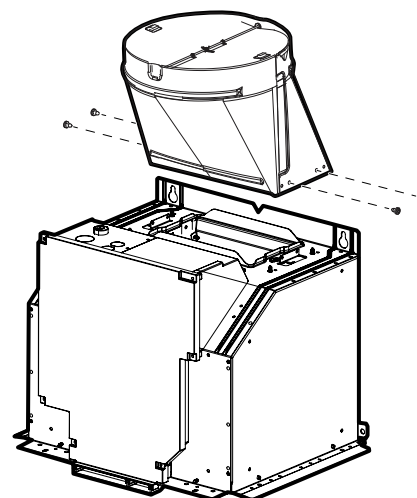
El aparato es pesado. Para mover el aparato se necesitan 2 personas. Utilizar únicamente los medios auxiliares apropiados.

1. Retirar la lámina protectora del aparato primero en la parte posterior y por completo una vez finalizado el montaje.
2. Marcar los agujeros superiores sobre la pared.
Nota: Asegurarse de que los agujeros estén alineados horizontalmente en el eje central.
3. Perforar los agujeros superiores. Dejar una distancia de $1/4"$ (6 mm) entre la pared y la cabeza del tornillo.
4. Retirar el filtro antigrasa.
5. Colgar la campana en la pared por los tornillos superiores.
6. Dibujar los agujeros inferiores.
7. Retirar la campana de la pared.
8. Perforar los agujeros inferiores.
9. Colgar la campana en la pared por los tornillos superiores.
10. Apretar los tornillos superiores e inferiores con la mano.



Montaje de la válvula de retención

Atornillar la válvula de retención con 4 tornillos (4x8 mm) a la campana extractora.



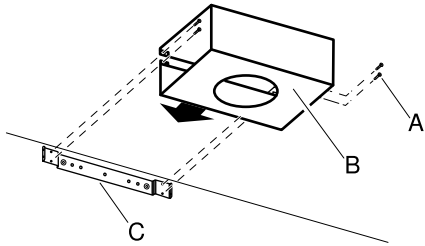
Realización de la conexión de salida de aire al exterior (solo con funcionamiento en salida de aire al exterior)

Nota: Si se utiliza un conducto de aluminio, pulir previamente la zona de conexión.

1. Fijar y sellar el conducto de salida de aire.
2. Comprobar si la válvula de retención funciona.

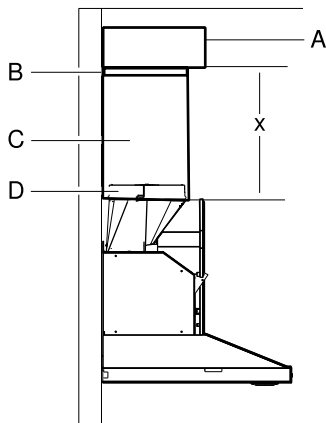
Montaje del módulo de recirculación (solo con funcionamiento en recirculación)

1. Atornillar la carcasa del módulo de recirculación con 4 tornillos (4x8 mm) a la escuadra de fijación.



A	Tornillos
B	Módulo de recirculación
C	Escuadra de sujeción

2. Medir la distancia (x) entre el borde inferior de la carcasa del módulo de recirculación y el borde inferior de la válvula de retención.



A	Módulo de recirculación
B	Abrazaderas
C	Revestimiento de la chimenea
D	Conducto de evacuación

3. Acortar el conducto de salida de aire a la longitud medida.
4. Retirar el módulo de recirculación.
5. Desplazar el conducto de salida de aire a la parte inferior del módulo de recirculación.
6. Colocar el módulo de recirculación con el conducto de salida de aire sobre el conducto de evacuación de la campana extractora.

7. Fijar el módulo de recirculación con 4 tornillos a la escuadra de fijación.
8. Asegurar las uniones con abrazaderas.

Conexión de la alimentación eléctrica

⚠ ADVERTENCIA

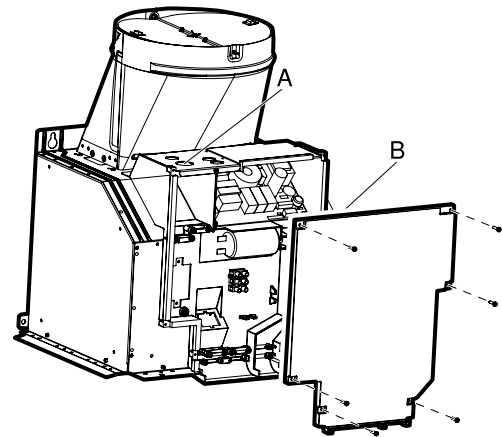
RIESGO DE DESCARGA ELÉCTRICA

Antes de realizar la instalación de cableado del aparato, interrumpir el circuito principal de corriente del gabinete eléctrico de distribución. Será necesario un circuito con 120 VAC, 15 o 20 amperios.

Consejos para la toma a tierra: este aparato está provisto de una caja de distribución con 3 cables. Usar el cable verde-amarillo para la toma a tierra del aparato. Conectar el cable verde-amarillo con el cable de toma a tierra de la conexión de la vivienda para evitar una descarga eléctrica. No dañar o eliminar el cable verde-amarillo bajo ninguna circunstancia. La no observancia puede derivar en heridas o riesgo de electrocución.

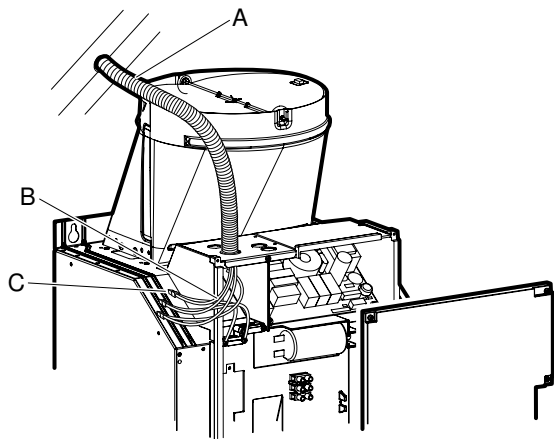
El trabajo de instalación y el cableado eléctrico deben realizarse por personal calificado conforme a todos los códigos y estándares aplicables, incluyendo construcción contra incendios.

1. Retirar la boquilla de paso izquierda y la cubierta del control del motor. Fijar la pieza de conexión del conducto de instalación (incluido en la lista cULUS) a la boquilla de paso.



A	Boquilla de paso
B	Cubierta del control del motor

2. Conectar el conducto de instalación de 1/2" (12,7 mm) al control del motor.



- | | |
|---|---|
| A | Conducto de instalación |
| B | Toma de corriente |
| C | Conector de cable incluido en la lista UL |

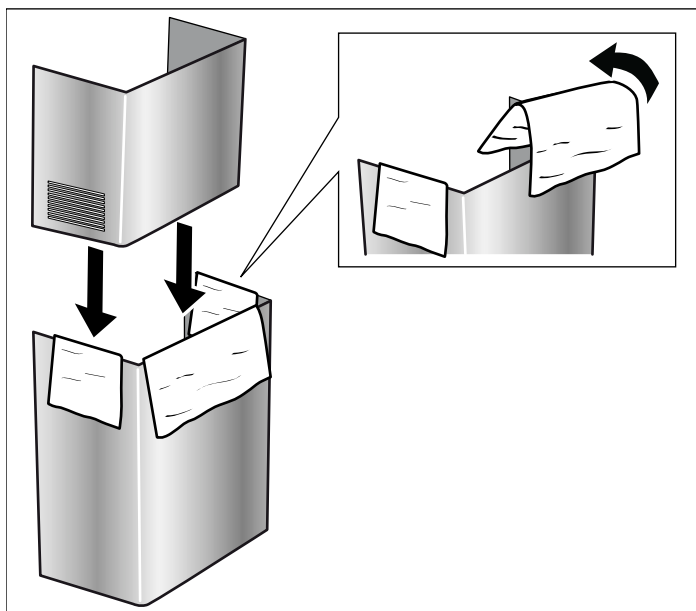
Montaje del revestimiento de la chimenea

Las superficies ocultas pueden tener bordes filosos. Proceda con cuidado al intentar tomar el electrodoméstico por la parte trasera o desde abajo.

1. Retirar las láminas protectoras ubicadas en ambos revestimientos de la chimenea.
2. Desplazar entre sí los revestimientos de la chimenea.

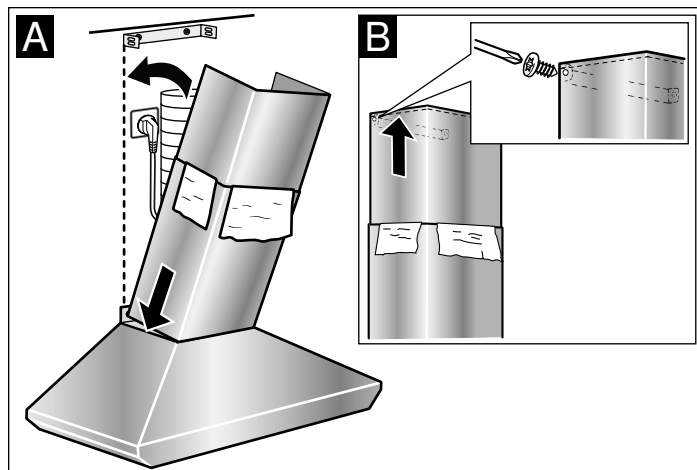
Notas

- Para evitar raspaduras, colocar papel a modo de protección sobre los bordes del revestimiento exterior de la chimenea.
- Con funcionamiento en salida de aire al exterior, girar el revestimiento superior de la chimenea de tal forma que las rejillas de ventilación estén situadas en la parte inferior.



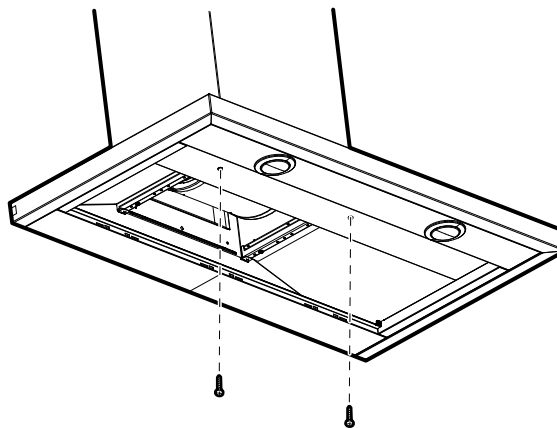
3. Retirar las láminas protectoras de la campana de extracción.
4. Colocar los revestimientos de la chimenea sobre el aparato.

5. Desplazar hacia arriba el revestimiento interior de la chimenea y engancharlo a la izquierda y a la derecha en la escuadra de sujeción.
6. Atornillar el revestimiento de la chimenea con dos tornillos laterales en la escuadra de sujeción.



- | | |
|---|---------------------------------------|
| A | Revestimiento superior de la chimenea |
| B | Revestimiento inferior de la chimenea |
| C | Tornillos |
| D | Escuadra de sujeción |

7. Fijar la parte inferior del revestimiento de la chimenea con dos tornillos.



8. Montar el filtro de metal antigrasa.

Desmontaje del aparato

1. Desmontar el filtro de metal antigrasa.
2. Retirar el revestimiento de la chimenea.
3. Desconectar el aparato de la corriente.
4. Soltar los conductos del aire de salida.
5. Desatornillar los tornillos que fijan el aparato.
6. Extraer el aparato.

LI31VD
01/19
9001381240
931122



BOSCH

1901 Main Street, Suite 600 • Irvine, CA 92614 • 800-944-2904
www.bosch-home.com • © 2019 BSH Home Appliances