

# Built-In Microwave Oven

Installation Manual

HMB57152UC, HMB50152UC, HMB50162UC



**BOSCH**

Invented for life



# Table of Contents

<b>Safety Definitions</b> .....	<b>2</b>	<b>Dimensions and Cabinet Requirements</b> .....	<b>6</b>
<b>IMPORTANT SAFETY INSTRUCTIONS</b> .....	<b>3</b>	General Cabinet Requirements .....	6
Appliance Handling Safety .....	3	Outlet Area .....	6
Safety Codes and Standards .....	3	Dimensions for 30" Wall-Mounted Units .....	6
Electric Safety .....	3	Dimensions for 27" Wall-Mounted Units .....	7
Microwave Safety .....	3	<b>Electrical Installation</b> .....	<b>8</b>
GROUNDING INSTRUCTIONS .....	4	<b>Install Appliance</b> .....	<b>8</b>
Related Equipment Safety .....	4	Mount to Cabinet .....	8
State of California Proposition 65 Warnings .....	4	<b>Testing Operation</b> .....	<b>8</b>
<b>Before you begin</b> .....	<b>5</b>	<b>Bosch® Support</b> .....	<b>9</b>
Tools and parts needed .....	5	Before Calling Service .....	9
Parts included .....	5	Data Plate .....	9
Power Requirements .....	5	Service .....	9
<b>Checklist for Installation</b> .....	<b>5</b>	Parts and Accessories .....	9
<b>Removing Packaging</b> .....	<b>5</b>		

Questions?  
1-800-944-2904  
www.bosch-home.com  
1901 Main Street, Suite 600  
Irvine, CA 92614  
We look forward to hearing from you!

## Safety Definitions

---

### **▲ WARNING**

This indicates that death or serious injuries may occur as a result of non-observance of this warning.

---

---

### **▲ CAUTION**

This indicates that minor or moderate injuries may occur as a result of non-observance of this warning.

---

**NOTICE:** This indicates that damage to the appliance or property may occur as a result of non-compliance with this advisory.

**Note:** This alerts you to important information and/or tips.

# **IMPORTANT SAFETY INSTRUCTIONS**

## READ AND SAVE THESE INSTRUCTIONS

INSTALLER: LEAVE THESE INSTRUCTIONS WITH THE APPLIANCE AFTER INSTALLATION IS COMPLETE.

IMPORTANT: SAVE THESE INSTRUCTIONS FOR THE LOCAL ELECTRICAL INSPECTOR'S USE.

---

### **WARNING**

---

If the information in this manual is not followed exactly, fire or shock may result causing property damage or personal injury.

---

---

### **WARNING**

---

Do not repair, replace or remove any part of the appliance unless specifically recommended in the manuals. Improper installation, service or maintenance can cause injury or property damage. Refer to this manual for guidance. All other servicing should be done by an authorized servicer.

---

## **Appliance Handling Safety**

Unit is heavy and requires at least two people or proper equipment to move.

Do not lift appliance by door handle.

Hidden surfaces may have sharp edges. Use caution when reaching behind or under appliance.

## **Safety Codes and Standards**

This appliance complies with the latest version of one or more of the following standards:

- CAN/CSA C22.2 No. 61 - Household Cooking Ranges
- UL 858 - Household Electric Ranges
- CAN/CSA C22.2 No. 150 - Microwave Ovens
- UL 923 - Microwave Cooking Appliances
- UL 507 - Electric Fans
- CAN/CSA C22.2 No. 113 - Fans and Ventilators
- CSA C22.2 No. 64 - Household Cooking and Liquid-Heating Appliances
- UL 1026 - Electric Household Cooking and Food Serving Appliances

It is the responsibility of the owner and the installer to determine if additional requirements and/or standards apply to specific installations.

## **Electric Safety**

---

### **WARNING**

---

Before you plug in an electrical cord or turn on power supply, make sure all controls are in the OFF position.

---

For appliances equipped with a cord and plug, do not cut or remove the ground prong. It must be plugged into

a matching grounding type receptacle to avoid electrical shock. If there is any doubt as to whether the wall receptacle is properly grounded, the customer should have it checked by a qualified electrician.

If required by the National Electrical Code (or Canadian Electrical Code), this appliance must be installed on a separate branch circuit.

Installer – show the owner the location of the circuit breaker or fuse. Mark it for easy reference.

Before installing, turn power OFF at the service panel. Lock service panel to prevent power from being turned ON accidentally.

Be sure your appliance is properly installed and grounded by a qualified technician. Installation, electrical connections and grounding must comply with all applicable codes.

## **Microwave Safety**

PRECAUTIONS TO BE OBSERVED BEFORE AND DURING SERVICING TO AVOID POSSIBLE EXPOSURE TO EXCESSIVE MICROWAVE ENERGY

- Do not operate or allow the oven to be operated with the door open.
- Make the following safety checks on all ovens to be serviced before activating the magnetron or other microwave source, and make repairs as necessary:
  1. Interlock operation
  2. Proper door closing
  3. Seal and sealing surfaces (arcing, wear, and other damage)
  4. Damage to or loosening of hinges and latches
  5. Evidence of dropping or abuse
- Before turning on microwave power for any service test or inspection within the microwave generating compartments, check the magnetron, wave guide or transmission line, and cavity for proper alignment, integrity, and connection.
- Any damaged or misadjusted components in the interlock, monitor, door seal, and microwave generation and transmission systems shall be repaired, replaced, or adjusted by procedures described in this manual before the oven is released to the owner.
- A microwave leakage check to verify compliance with the Federal Performance Standard should be performed on each oven prior to release to the owner.

# **IMPORTANT SAFETY INSTRUCTIONS**

READ AND SAVE THESE INSTRUCTIONS

## **GROUNDING INSTRUCTIONS**

This appliance must be grounded. Grounding reduces the risk of electric shock by providing a safe pathway for electric current in the event of a short circuit.

This appliance is equipped with a cord having a grounding wire with a grounding plug. The plug must be plugged into an outlet that is properly installed and grounded.

---

### **WARNING**

Improper grounding can result in a risk of electric shock. Consult a qualified electrician if the grounding instructions are not completely understood, or if doubt exists as to whether the appliance is properly grounded. Do not use an extension cord. If the power supply cord is too short, have a qualified electrician install an outlet near the appliance.

---

## **Related Equipment Safety**

Remove all tape and packaging before using the appliance. Destroy the packaging after unpacking the appliance. Never allow children to play with packaging material.

Never modify or alter the construction of the appliance. For example, do not remove leveling legs, panels, wire covers or anti-tip brackets/screws.

---

### **WARNING**

To reduce the risk of fire, use only metal ductwork.

---

### **CAUTION**

For general ventilating use only. Do not use to exhaust hazardous or explosive materials and vapors.

---

## **State of California Proposition 65 Warnings**

---

### **WARNING**

This product contains chemicals known to the State of California to cause cancer, birth defects or other reproductive harm.

---

# Before you begin

## Tools and parts needed

- Philips head screwdriver
- 1/8" drill bit and drill
- Measuring tape

## Parts included

- Microwave oven
- Philips head screws

## Power Requirements

The outlet must be properly grounded in accordance with all applicable codes.

It can be installed in the back wall directly behind the appliance.

You can also connect your appliance directly to a compatible conventional Built-in Oven. Refer to separate Combination Instructions.

---

# Checklist for Installation

Use this checklist to verify that you have completed each step of the installation process. This can help you avoid common mistakes.

Refer to detailed instructions for each step in the sections following this checklist.

1. Before installing the appliance, be sure to verify the cabinet dimensions are correct for your appliance and that the required electrical connections are present. Make sure the electrical conduit provided on the appliance is able to reach to the point of connection.  
*Section: Dimensions and Cabinet Requirements*
2. Move the appliance into place in front of the cabinet opening.  
*Section: Removing Packaging*

3. Remove packaging materials, leaving the bottom packaging on the appliance to avoid damage to the floor.  
*Section: Removing Packaging*
4. Team-lift the appliance directly into the cabinet cutout.  
*Section: Install Appliance, "Mount to Cabinet"*
5. Slide the appliance all the way into place.  
*Section: Install Appliance, "Mount to Cabinet"*
6. Fasten the appliance to the cabinet opening with the screws supplied.  
*Section: Install Appliance, "Mount to Cabinet"*

Always read and follow the complete installation instructions contained in this manual.

---

# Removing Packaging

**NOTICE:** To prevent damage to your floor keep the unit in its packaging base until ready to be placed in the cabinet opening. Do not slide the unit across the flooring. Different models use different packaging materials. Bracket remains in packaging base.

1. Cut straps on outside of box.
2. Remove cardboard box.
3. Remove all top and side cardboard and Styrofoam braces.
4. Place oven in front of cabinets where it is to be installed.

**NOTICE:** To avoid damage to the microwave oven, do not grip or use the door or door handle while the microwave oven is being handled.

# Dimensions and Cabinet Requirements

## General Cabinet Requirements

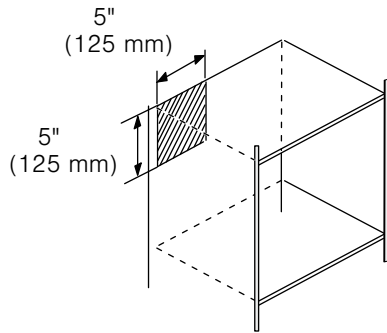
Cabinet requirements vary depending on the model to be installed. Please consult the section *Dimensions* for the details pertaining to your particular model.

### All models require:

- 1/4" (6.4 mm) space between the side of the appliance and an adjacent wall or cabinet door when installed at the end of a cabinet run.
- The cabinet base must be flat and capable of supporting the weight of your appliance when in use. See the appropriate weight for your model in the *Dimensions* section pertaining to your particular model. For combination units consult the section *Cabinet Dimension Requirements* in the installation manual of your combination appliance.
- The appliance door will overlap the furniture below by approx. 3/16" (5 mm) when opened. If necessary, you can elevate the appliance position by adding a panel in the required thickness on top of the supporting base. The supporting base must be level and securely fixed to the cabinet.

## Outlet Area

The outlet can be located anywhere within the shaded area. Anywhere within the shaded area, the minimal distance between the appliance and the wall is 1 3/4 in (45 mm).

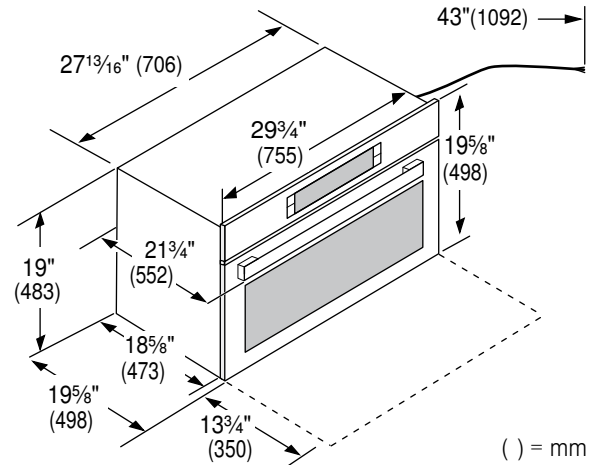


## Dimensions for 30" Wall-Mounted Units

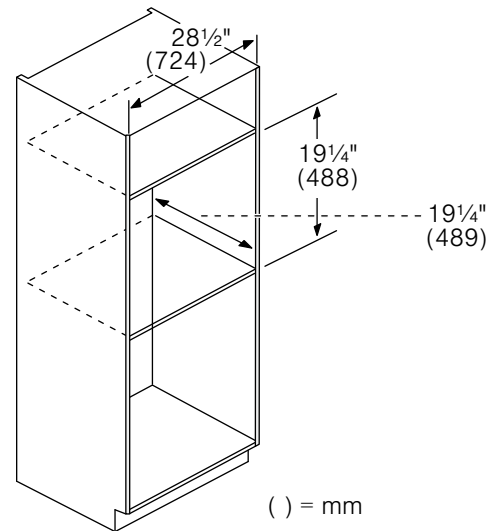
HMB50152UC

HMB50162UC

### Appliance Dimensions



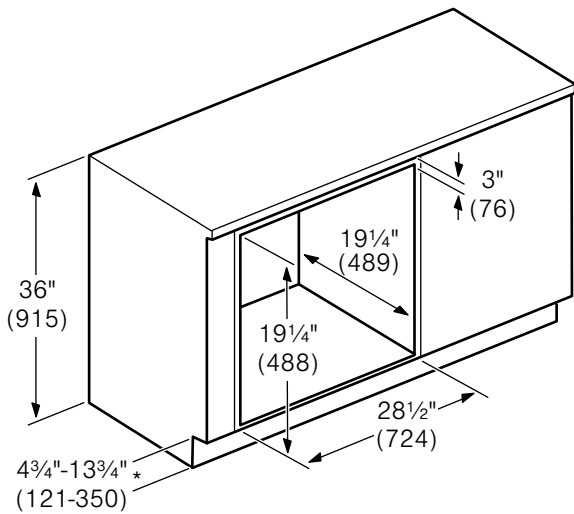
### Cabinet Dimensions



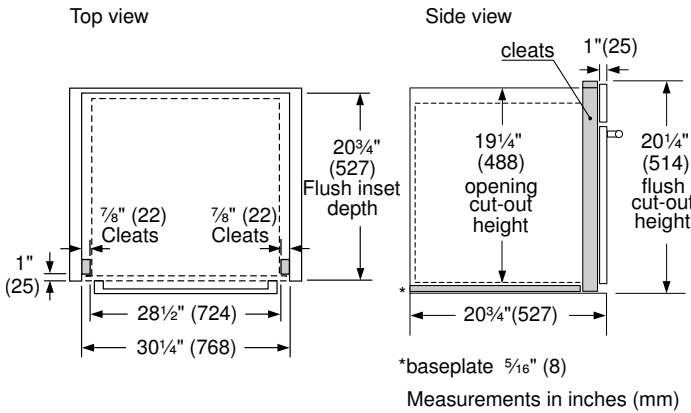
**NOTICE:** The cabinet base must be flat and capable of supporting a weight of at least 142 lbs (64.1 kg).



## Under counter dimensions 30" units



## Flush installation 30" units

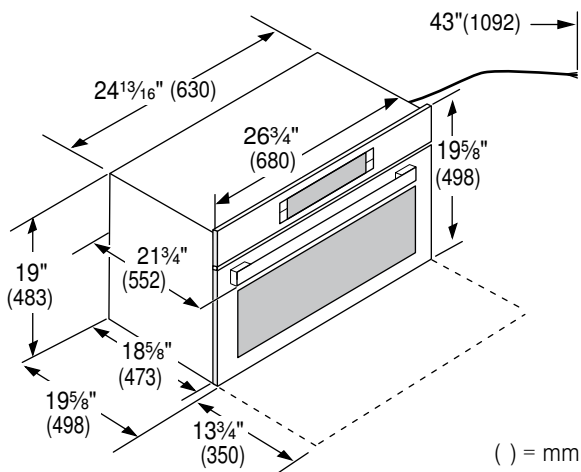


Flush installation also requires:

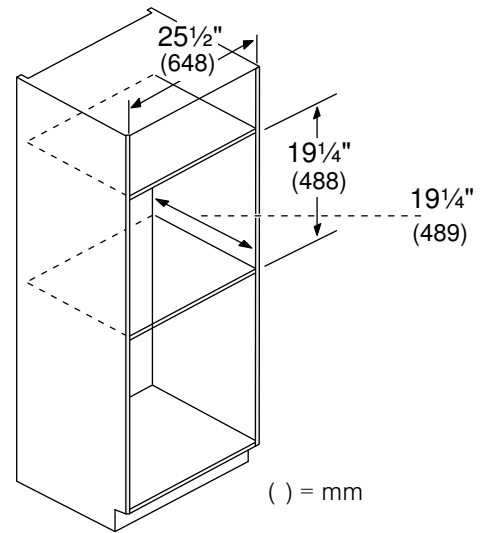
- two side cleats to be attached inside the cabinet frame, recessed from the front
- a  $5/16$ " (8 mm) baseplate underneath the unit body.

## Dimensions for 27" Wall-Mounted Units HMB57152UC

### Appliance Dimensions

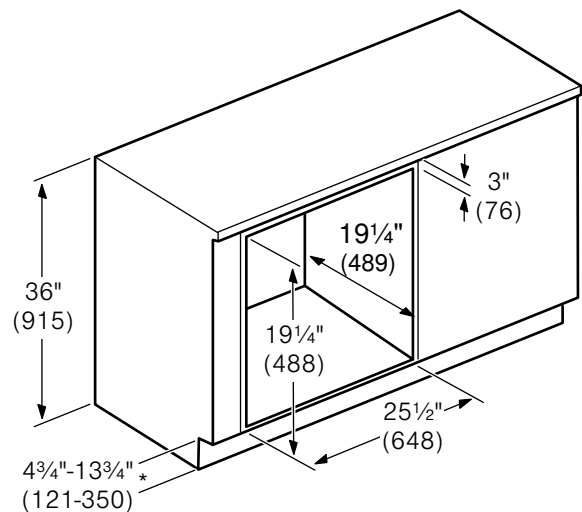


## Cabinet Dimensions

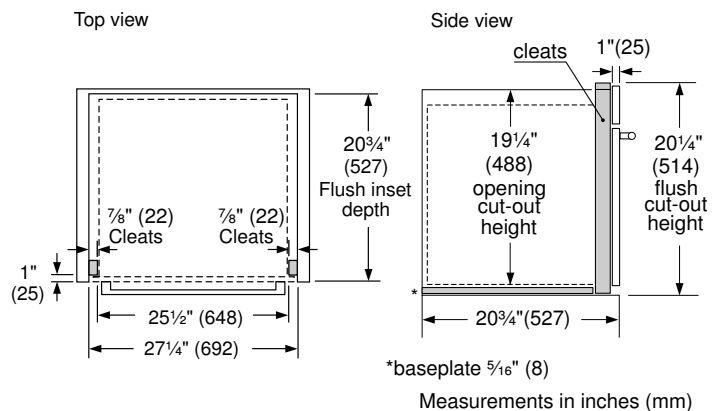


**NOTICE:** The cabinet base must be flat and capable of supporting a weight of at least 142 lbs (64.1 kg).

## Under counter dimensions 27" units



## Flush installation 27" units



Flush installation also requires:

- two side cleats to be attached inside the cabinet frame, recessed from the front
- a  $5/16$ " (8 mm) baseplate underneath the unit body.

# Electrical Installation

The model stated on the front cover is rated at 120V AC, 60 Hz and uses a NEMA 5-15 plug to connect to a dedicated 120 V microwave circuit.

Model	Connection	Circuit Requirements	
HMB57152UC	NEMA 5-15	120 V, 60 Hz	15 Amps
HMB50152UC	NEMA 5-15	120 V, 60 Hz	15 Amps
HMB50162UC	NEMA 5-15	120 V, 60 Hz	15 Amps

Electrical Requirements:

- a three prong grounded outlet
- 120 V, 60 Hz, AC only
- 15 Amp electrical supply with a fuse or a circuit breaker

This product must be connected to a supply circuit of the proper voltage and frequency. Wire size must conform to the requirements of the National Electric Code or the prevailing local code for this rating. The power supply cord and plug should be brought to a separate 20-amp branch circuit single grounded outlet. The outlet box should be located in the area behind the appliance (see section *Cabinet Dimensions*). The outlet box and supply circuit should be installed by a qualified electrician and conform to the National Electrical Code or the prevailing local code.

The voltage used must be the same as specified on this microwave oven. Using a higher voltage is dangerous and may result in a fire or oven damage. Using a lower voltage will cause slow cooking. The manufacturer is not responsible for any damages resulting from the use of the oven with any voltage other than specified.

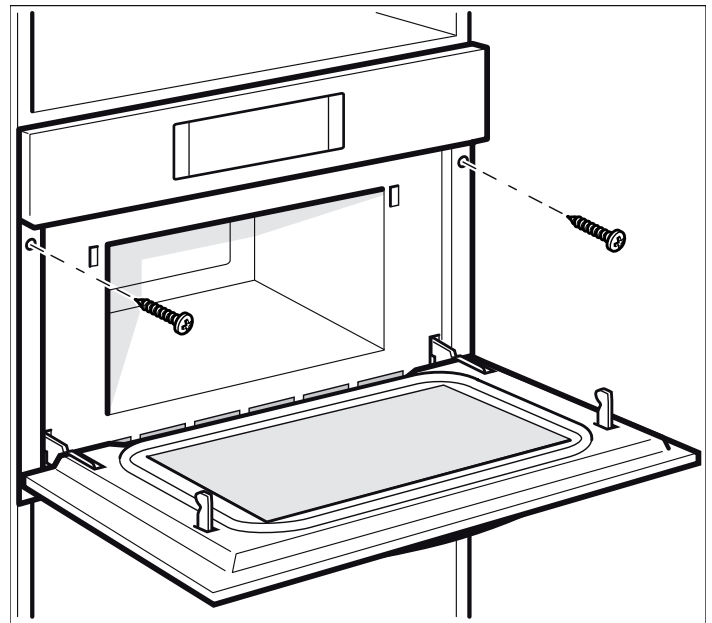
# Install Appliance

**Note:** The appliance is heavy. It is advisable to install it with a second person.

**NOTICE:** Before installing the appliance, be sure to verify the cabinet dimensions and electrical connections.

## Mount to Cabinet

1. Fully insert the appliance and center it. Do not kink the electrical cable.
2. Screw the appliance into place.



# Testing Operation

1. Turn on power at the breaker.
2. Test the microwave:  
Place a cup of water into the oven cavity. Follow the instructions in the Use and Care Manual on how to heat a beverage.
3. Verify that the oven light comes on and the water is heated.
4. If any of the tests do not result as explained above, contact Service for assistance. Otherwise, the installation is complete at this time.



# Bosch® Support

## Before Calling Service

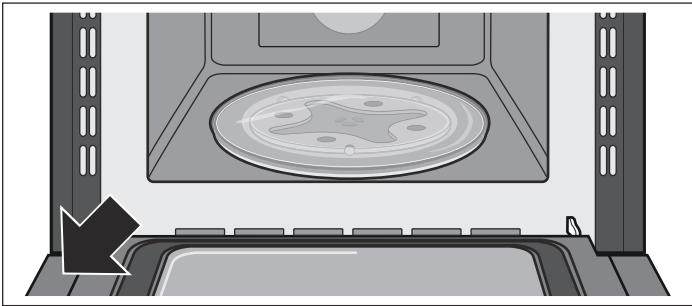
See the Use and Care Manual for troubleshooting information. Refer to the “Statement of Limited Product Warranty” in the Use and Care Manual.

To reach a service representative, see the contact information at the front of the manual or in the following section. Please be prepared with the information printed on your product data plate prior to calling.

## Data Plate

The data plate shows the model and serial number. Refer to the data plate on the appliance when requesting service.

The data plate can be found on the inside of the appliance door.



To avoid having to search for each piece of information when calling, you can enter the four items needed in the spaces provided below.

<b>Model No.</b>
<b>FD-No.</b>
<b>Date of Purchase</b>
<b>Customer Service</b> ☎

Keep your invoice or escrow papers for warranty validation if service is needed.

## Service

We realize that you have made a considerable investment in your kitchen. We are dedicated to supporting you and your appliance so that you have many years of creative cooking.

Please don't hesitate to contact our Customer Support Department if you have any questions or in the unlikely event that your Bosch® appliance needs service. Our service team is ready to assist you.

### USA

800-944-2904

[www.bosch-home.com/us/support](http://www.bosch-home.com/us/support)

### Canada

800-944-2904

[www.bosch-home.ca/en/support](http://www.bosch-home.ca/en/support)

## Parts and Accessories

Parts, filters, descalers, stainless steel cleaners and more can be purchased in the Bosch® eShop or by phone.

### USA

[www.bosch-home.com/us/store](http://www.bosch-home.com/us/store)

### Canada

Marcone 800-482-6022

or

Reliable Parts 800-941-9217

# Table de Matières

<b>Définitions de Sécurité</b> .....	<b>10</b>	<b>Exigences en matière de dimensions et d'armoire ..</b>	<b>14</b>
<b>CONSIGNES DE SÉCURITÉ IMPORTANTES</b> .....	<b>11</b>	Exigences générales concernant le meuble .....	14
Sécurité de manipulation de l'appareil .....	11	Zone de la prise de courant .....	14
Codes et normes de sécurité .....	11	Dimensions pour les unités installées au mur de 30 po (76 cm). .....	14
Sécurité électrique .....	11	Dimensions pour les unités installées au mur de 27 po (68,5 cm) .....	15
Sécurité des micro-ondes .....	11	<b>Installation électrique</b> .....	<b>16</b>
<b>INSTRUCTIONS DE MISE À LA TERRE</b> .....	<b>12</b>	<b>Installation de l'appareil</b> .....	<b>17</b>
Sécurité apparentée concernant l'équipement .....	12	Fixation à l'armoire .....	17
Avertissements de la Proposition 65 de l'État de la Californie .....	12	<b>Opération d'essai</b> .....	<b>17</b>
<b>Avant de commencer</b> .....	<b>13</b>	<b>Soutien Bosch®</b> .....	<b>18</b>
Outils et pièces nécessaires .....	13	Avant d'appeler le service de dépannage .....	18
Pièces comprises .....	13	Plaque signalétique .....	18
Exigences électriques .....	13	Service .....	18
<b>Liste de contrôle pour l'installation</b> .....	<b>13</b>	Pièces et accessoires .....	18
<b>Pour enlever l'emballage</b> .....	<b>13</b>		

Question ?  
1-800-944-2904  
www.bosch-home.com  
1901 Main Street, Suite 600  
Irvine, CA 92614  
  
Nous attendons de vos nouvelles.

## Définitions de Sécurité

---

### **▲ AVERTISSEMENT**

---

Le non-respect de cet avertissement peut entraîner la mort ou des blessures graves.

---

---

### **▲ ATTENTION**

---

Le non-respect de cet avertissement peut entraîner des blessures mineures ou modérées.

---

**AVIS :** Vous indique que des dommages à l'appareil ou aux biens peuvent survenir si vous ne respectez pas cet avertissement.

**Remarque :** Vous signale des informations importantes ou des conseils.

# **CONSIGNES DE SÉCURITÉ IMPORTANTES**

## LIRE ET CONSERVER CES CONSIGNES

INSTALLATEUR : LAISSEZ CES INSTRUCTIONS AVEC L'APPAREIL APRÈS UNE FOIS L'INSTALLATION TERMINÉE.

IMPORTANT : CONSERVER CES INSTRUCTIONS POUR L'USAGE DE L'INSPECTEUR ÉLECTRIQUE LOCAL.

---

### AVERTISSEMENT

Si l'information de ce guide n'est pas suivie exactement, il peut en résulter un incendie ou un choc électrique causant des dommages à la propriété, des blessures ou la mort.

---

### AVERTISSEMENT

Ne pas réparer ni remplacer toute pièce de l'appareil à moins que cela ne soit expressément recommandé dans ce manuel. Ne jamais modifier ni altérer la configuration de l'appareil. Toute installation, réparation ou maintenance inadéquate peut entraîner des blessures ou des dommages matériels. Se reporter à ce manuel pour obtenir des conseils sur la façon de procéder. Toute réparation doit être effectuée par un centre de réparation autorisé par l'usine.

## Sécurité de manipulation de l'appareil

Cet appareil est lourd et il faut au moins deux personnes ou l'équipement approprié pour le déplacer.

Ne pas soulever l'appareil par la poignée de la porte. Certaines surfaces peuvent avoir des bords tranchants. Faire attention en étendant le bras derrière l'appareil ou en dessous.

## Codes et normes de sécurité

Cet appareil est conforme à la version la plus récente de l'une ou plusieurs des normes suivantes :

- CAN/CSA C22.2 No. 61 - Cuisinières pour usage ménager (Household Cooking Ranges)
- UL 858 - Cuisinières électriques domestiques (Household Electric Ranges)
- CAN/CSA C22.2 No. 150 - Fours à micro-ondes (Microwave Ovens)
- UL 923 - Appareils de cuisson à micro-ondes (Microwave Cooking Appliances)
- UL 507 - Ventilateurs électrique (Electric Fans)
- CAN/CSA C22.2 No. 113 - Ventilateurs et soufflantes (Fans and Ventilators)
- CSA C22.2 No. 64 - Appareils de cuisson domestique et de chauffage des liquides (Household Cooking and Liquid-Heating Appliances)
- UL 1026 - Appareils électriques domestiques pour la cuisson et la préparation des aliments (Electric Household Cooking and Food Serving Appliances)

Il incombe au propriétaire et à l'installateur de déterminer si des exigences et/ou normes additionnelles s'appliquent pour des installations spécifiques.

## Sécurité électrique

---

### AVERTISSEMENT

Avant de brancher un cordon électrique ou de mettre l'appareil sous tension, s'assurer que les commandes sont en position d'ARRÊT.

Pour les appareils dotés d'un cordon et d'une fiche, ne pas couper ou enlever la broche de mise à la terre. Le cordon doit être branché dans une prise de courant adaptée de type mise à la terre pour éviter tout risque d'électrocution. S'il y a un doute en ce qui concerne la mise à la terre de la prise murale, le client devra s'adresser à un électricien qualifié.

S'il y a lieu, conformément au Code national de l'électricité (ou au Code canadien de l'électricité), cet appareil doit être installé sur un circuit de dérivation séparé.

Installateur – Indiquer au propriétaire l'emplacement du disjoncteur ou du fusible. Identifier sa position pour pouvoir le retrouver facilement.

Avant l'installation, mettre l'appareil hors service au panneau de service. Verrouiller le panneau d'entrée d'électricité pour éviter que le courant ne soit accidentellement rétabli.

S'assurer que l'appareil est installé et mis à la terre par un technicien qualifié. L'installation, les connexions électriques et la mise à la terre doivent être conformes à tous les codes applicables.

## Sécurité des micro-ondes

PRÉCAUTIONS À SUIVRE AVANT ET PENDANT L'ENTRETIEN POUR ÉVITER TOUT RISQUE D'EXPOSITION AUX MICRO-ONDES

- Ne pas utiliser ou ne pas permettre l'utilisation du four avec la porte ouverte.
  - Effectuer les vérifications de sécurité suivantes sur tous les fours faisant l'objet d'un entretien avant d'activer la magnétron ou autre source micro-ondes, et effectuer les réparations selon le besoin :
1. Fonctionnement de l'interverrouillage
  2. Fermeture appropriée des portes
  3. Joint d'étanchéité et surfaces étanches (production d'arcs électriques, usure et autres dommages)
  4. Dommages aux charnières et loquet ou leur desserrement
  5. Signe de chute ou d'abus
- Avant de mettre sous tension le micro-ondes pour tout test de service ou inspection dans les compartiments générateurs de micro-ondes, vérifier le magnétron, le guide d'onde ou la ligne de transmission, et la cavité pour l'alignement, intégrité, raccordement approprié.

# **CONSIGNES DE SÉCURITÉ IMPORTANTES**

## LIRE ET CONSERVER CES CONSIGNES

- Tout composant endommagés ou mal réglé dans l'interverrouillage, moniteur, joint d'étanchéité de porte et système de génération et de transmission de micro-ondes doit être réparé, remplacé ou réglé selon les procédures décrites dans ce manuel avant que le four ne puisse être remis à son propriétaire.
- Une vérification de fuite de micro-ondes pour vérifier la conformité avec les normes de rendement fédérales doit être effectuée sur chaque four avant sa remise au propriétaire.

### **Avertissements de la Proposition 65 de l'État de la Californie**

---

#### **AVERTISSEMENT**

---

Ce produit contient des produits chimiques connus de l'État de la Californie pour causer le cancer, des anomalies congénitales ou d'autres problèmes de reproduction.

---

### **INSTRUCTIONS DE MISE À LA TERRE**

Cet appareil doit être mis à la terre. En cas de court-circuit électrique, la mise à la terre réduira le risque de choc électrique en offrant au courant électrique un fil d'évacuation.

Cet appareil est muni d'un cordon électrique comportant un conducteur de terre et une prise de mise à la terre. La fiche doit être branchée dans une prise qui a été installée et mise à la terre de façon appropriée.

---

#### **AVERTISSEMENT**

---

Une mise à la terre inadéquate peut entraîner un risque d'électrocution. Consultez un électricien qualifié si vous ne comprenez pas parfaitement les instructions de mise à la terre ou si vous avez des doutes quant à la qualité de mise à la terre. N'utilisez pas de rallonge. Si le cordon d'alimentation est trop court, demandez à un électricien ou un technicien qualifié d'installer une prise à proximité de l'appareil.

---

### **Sécurité apparentée concernant l'équipement**

Enlever le ruban adhésif et l'emballage avant d'utiliser l'appareil. Détruire l'emballage après avoir déballé l'appareil. Ne jamais laisser les enfants jouer avec les matériaux de conditionnement.

Ne jamais modifier ni altérer la configuration de l'appareil. Par exemple, ne pas retirer les pieds de nivellement, les panneaux, les couvercles de câblage ou les fixations/vis antibasculement.

---

#### **AVERTISSEMENT**

---

Pour réduire les risques de feu, utiliser uniquement des gaines en métal.

---

---

#### **ATTENTION**

---

Appareil conçu exclusivement pour la ventilation générale. Ne pas utiliser pour évacuer des matières et vapeurs dangereuses ou explosives.

---

---

# Avant de commencer

## Outils et pièces nécessaires

- Tournevis cruciforme
- Mèche de 1/8 po (3 mm) et perceuse
- Ruban à mesurer

## Pièces comprises

- Four à micro-ondes
- Vis à tête Philips

## Exigences électriques

La prise doit être correctement reliée à la terre selon tous les codes applicables.

Il peut être installé dans le mur arrière directement derrière l'appareil.

Vous pouvez également raccorder votre appareil directement à un four intégré conventionnel compatible. Voyez les instructions séparées des appareils combinés.

---

# Liste de contrôle pour l'installation

Utilisez cette liste de contrôle pour vérifier que vous avez terminé chaque étape du processus d'installation. Cela peut vous aider à éviter des erreurs communes.

Voyez les instructions détaillées pour chaque étape dans les sections suivant cette liste de contrôle.

1. Avant d'installer l'appareil, assurez-vous de vérifier que les dimensions du caisson sont correctes pour votre appareil et que les connexions électriques requises sont présentes. Assurez-vous que le conduit électrique fourni sur l'appareil est en mesure de joindre le point de raccordement.

*Section : Exigences sur les dimensions et le caisson*

2. Déplacez l'appareil devant l'avant de l'ouverture du caisson.

*Section : Retrait de l'emballage*

3. Retirez les matériaux d'emballage, en laissant l'emballage du fond de l'appareil pour éviter d'endommager le plancher.

*Section : Retrait de l'emballage*

4. L'équipe soulève l'appareil directement dans la découpe du caisson.

*Section : Installation de l'appareil, "Montage sur le caisson"*

5. Glissez l'appareil en place complètement.

*Section : Installation de l'appareil, "Montage sur le caisson"*

6. Fixez l'appareil dans l'ouverture du caisson avec les vis fournies.

*Section : Installation de l'appareil, "Montage sur le caisson"*

Lisez et suivez toujours les instructions d'installation complètes contenues dans ce manuel.

---

# Pour enlever l'emballage

**AVIS :** Pour éviter d'endommager le plancher, laissez l'unité dans la portion inférieure de l'emballage jusqu'au moment de le placer dans l'ouverture de l'armoire. Ne pas faire glisser l'unité sur le plancher.

Différents emballages sont employés selon les modèles. Les supports restent dans la base de l'emballage.

1. Couper les attaches à l'extérieur de la boîte.
2. Enlever la boîte de carton.
3. Retirer le carton sur le dessus et sur les côtés ainsi que les pièces d'arrimage en styromousse.
4. Placez le four devant l'armoire à l'endroit où il sera installé.

**AVIS :** Pour éviter d'endommager le four à micro-ondes, ne saisissez pas ou n'utilisez pas la porte ou la poignée de porte pendant que le four à micro-ondes est manipulé.

# Exigences en matière de dimensions et d'armoire

## Exigences générales concernant le meuble

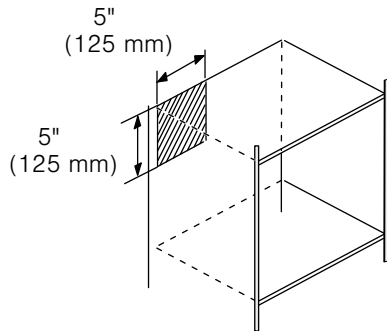
Les exigences concernant le meuble dépendent du modèle à poser. Veuillez consulter le chapitre *Dimensions* pour obtenir des précisions sur votre modèle.

### Tous les modèles exigent :

- Un espace de  $\frac{1}{4}$  po (6.4 mm) entre la paroi latérale du four et le mur adjacent ou la porte de l'armoire s'il l'unité est installée à la fin d'une série d'armoire.
- La base du caisson doit être plate et en mesure de soutenir le poids de l'appareil lorsqu'il est en utilisation. Voyez le poids approprié pour votre modèle dans la section *Dimensions* propre à votre modèle particulier. Pour les unités combinées, consultez la section *Exigences sur les dimensions du caisson* dans le manuel d'installation de votre appareil combiné.
- La porte de l'appareil chevauchera le meuble ci-dessous d'environ  $\frac{3}{16}$  po (5 mm) à son ouverture. Au besoin, vous pouvez élever l'appareil en ajoutant un panneau de l'épaisseur requise sur le haut de la base de support. La base de support doit être de niveau et fixée solidement au caisson.

## Zone de la prise de courant

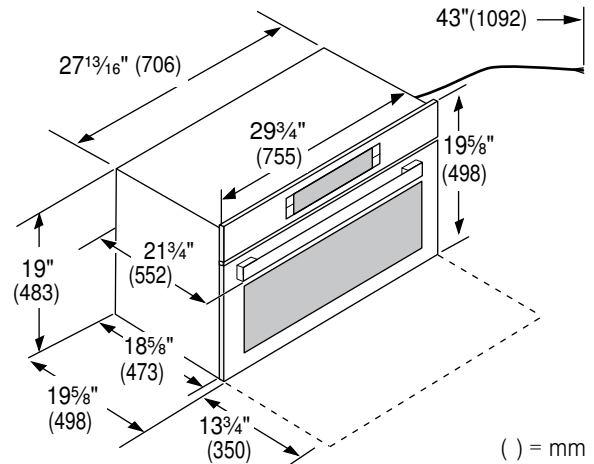
La prise peut être située partout dans la zone ombrée. Dans toute la zone ombrée, la distance minimale entre l'appareil et le mur doit être de  $1\frac{3}{4}$  po (45 mm).



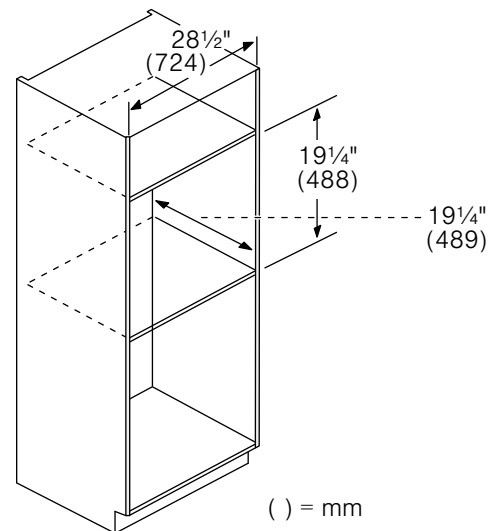
## Dimensions pour les unités installées au mur de 30 po (76 cm).

HMB50152UC  
HMB50162UC

### Dimensions de l'appareil



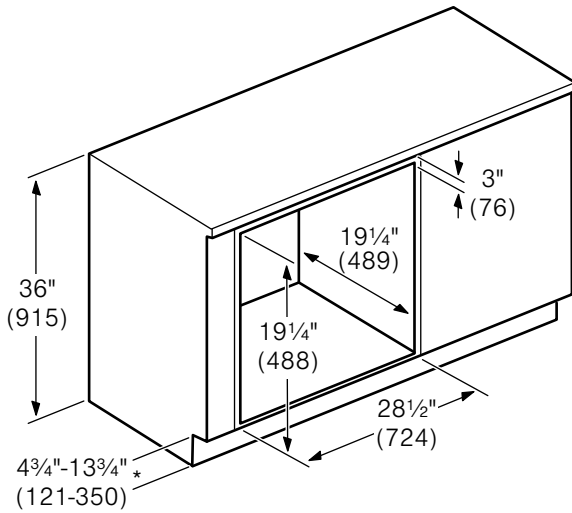
### Dimensions de la découpe des armoires



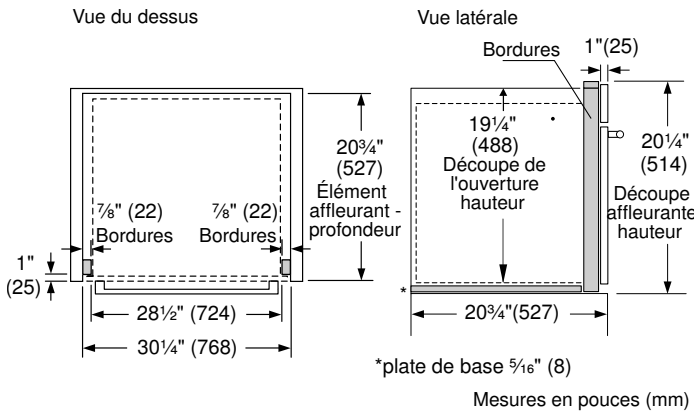
**AVIS :** Le socle du coffret doit être plate et apte à soutenir un poids d'au moins 142 lbs (64.1 kg).



**Dimensions des unités de 30 po (762 mm) sous le comptoir**



**Installation affleurante des unités de 30 po (762 mm)**



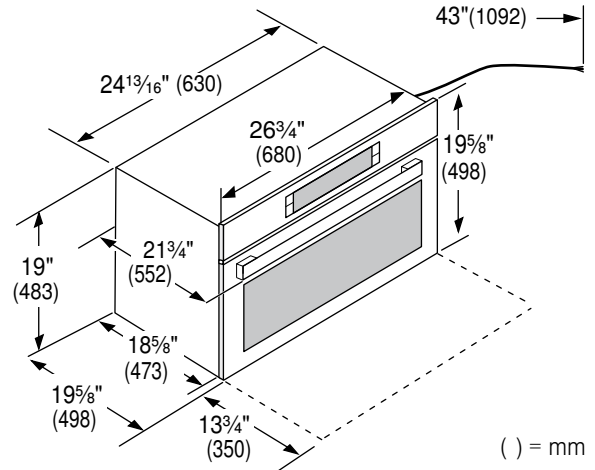
Une installation affleurante nécessite également :

- deux cales latérales fixées à l'intérieur du cadre de l'armoire, décalées de l'avant
- une plaque de base de  $\frac{5}{16}$ " (8 mm) sous la partie principale de l'appareil.

**Dimensions pour les unités installées au mur de 27 po (68,5 cm)**

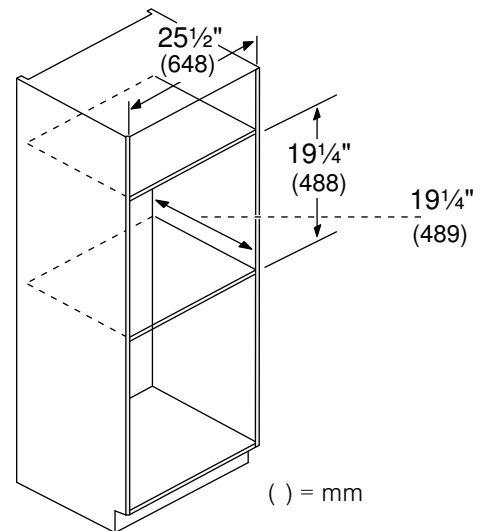
HMB57152UC

**Dimensions de l'appareil**



( ) = mm

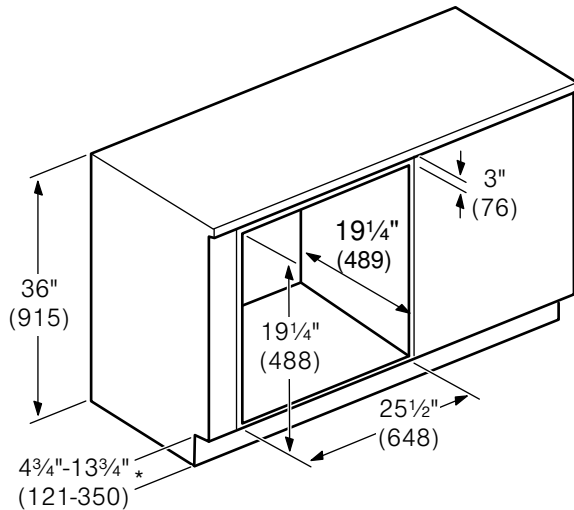
**Dimensions de la découpe des armoires**



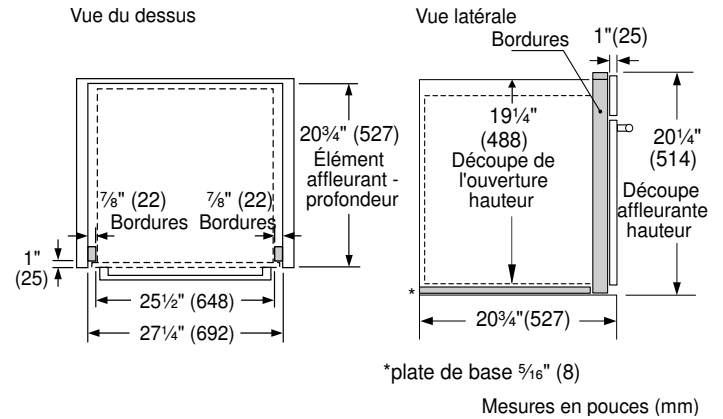
( ) = mm

**AVIS :** Le socle du coffret doit être plat et apte à soutenir un poids d'au moins 142 lbs (64.1 kg).

## Dimensions des unités de 27 po (686 mm) sous le comptoir



## Montage affleurant modèles à 27 po



Une installation affleurante nécessite également :

- deux cales latérales fixées à l'intérieur du cadre de l'armoire, décalées de l'avant
- une plaque de base de  $\frac{5}{16}$ " (8 mm) sous la partie principale de l'appareil.

## Installation électrique

Le modèle figurant sur la couverture avant est classé 120 V CA, 60 Hz et nécessite une fiche NEMA 5-15 pour se raccorder à un circuit pour micro-ondes de 120 V dédié.

Modèle	Connexion	Circuit Exigences	
HMB57152UC	NEMA 5-15	120 V, 60 Hz	15 A
HMB50152UC	NEMA 5-15	120 V, 60 Hz	15 A
HMB50162UC	NEMA 5-15	120 V, 60 Hz	15 A

Exigences électriques :

- une prise mise à la terre à trois fiches
- 120 V, 60 Hz, CA seulement
- Source d'alimentation électrique de 15 ampères avec fusible ou disjoncteur

Ce produit doit être raccordé à un circuit d'alimentation de la tension et de la fréquence appropriées. La taille du fil doit être conforme aux exigences du Code national d'électricité ou du code local en vigueur pour cette capacité. Le cordon d'alimentation et la fiche doivent être jumelés à une prise de courant séparée mise à la terre d'un seul circuit de dérivation de 20 ampères. La boîte de sortie doit être aménagée dans la zone derrière l'appareil (voir la section *Dimensions du caisson*). La boîte de sortie et le circuit d'alimentation doivent être installés par un électricien qualifié et être conformes au Code national de l'électricité ou au code local en vigueur.

La tension utilisée doit être la même que celle spécifiée sur le four à micro-ondes. L'utilisation d'une tension supérieure est dangereuse et pourrait entraîner un incendie ou des dommages au four. L'utilisation d'une

tension plus basse ralentira la cuisson. Le fabricant n'est pas responsable de dommages résultant de l'utilisation du four sur une tension autre que celle spécifiée.

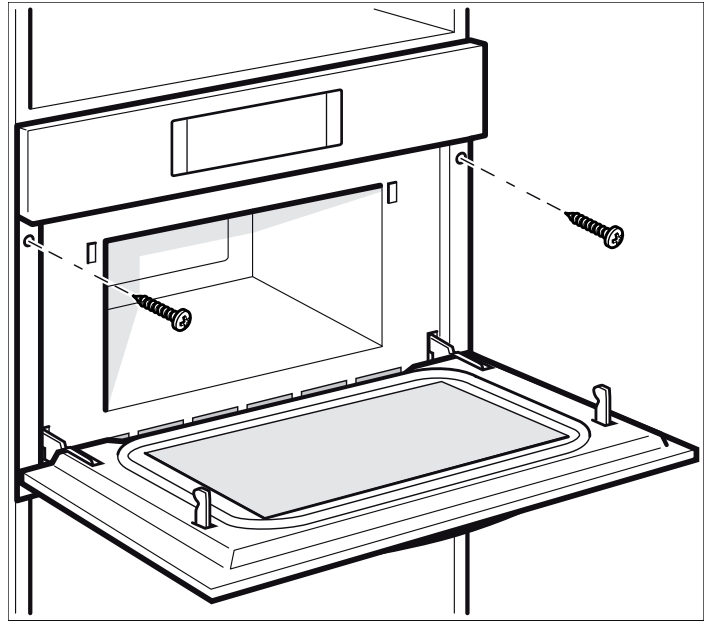
## Installation de l'appareil

**Remarque :** L'appareil est lourd. Pour l'insérer dans la découpe, faite-vous aider par une autre personne.

**AVIS :** Avant d'installer l'appareil, prendre soin de vérifier la dimension du coffret et les raccordements électriques.

### Fixation à l'armoire

1. Insérez à fond l'appareil et centrez-le. Ne coudez pas le câble électrique.
2. Visez l'appareil en place.



## Opération d'essai

1. Mettez sous tension au disjoncteur.
2. Testez le micro-ondes :  
Placez une tasse d'eau dans la cavité du four. Suivez les instructions dans le manuel d'utilisation et d'entretien pour savoir comment chauffer une boisson.
3. Vérifiez que l'éclairage du four s'allume et que l'eau est chauffée.
4. Si l'un des tests n'aboutit pas tel que prévu ci-dessus, contactez le Service pour obtenir de l'aide. Sinon, l'installation est terminée à ce moment-ci.

# Soutien Bosch®

## Avant d'appeler le service de dépannage

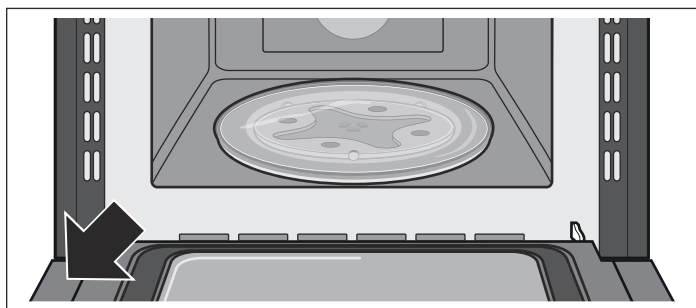
Pour des informations sur le dépannage, se reporter au Manuel d'utilisation et d'entretien. Consulter la "Énoncé de la Garantie Limitée" figurant dans le Manuel d'utilisation et d'entretien.

Pour contacter un technicien de dépannage, voir les coordonnées sur la couverture avant du manuel ou dans la section suivante. Lorsque vous téléphonez, soyez prêt à fournir les informations imprimées sur la plaque signalétique de votre produit.

## Plaque signalétique

La plaque signalétique affiche le modèle et le numéro de série. Consultez la plaque signalétique de l'appareil lorsque vous sollicitez un service.

La plaque signalétique se trouve à l'intérieur de la port de l'appareil.



Pour ne pas avoir à chercher longtemps en cas de besoin, vous pouvez inscrire ici les références de l'appareil et le numéro de téléphone du service après-vente

---

**N° de modèle**

---

**N° FD**

---

**Date d'achat**

---

**Service après-vente** ☎

---

Conservez votre facture ou votre contrat aux fins de validation de garantie si jamais vous avez besoin de service.

## Service

Nous réalisons que vous avez effectué un investissement considérable dans votre cuisine. Nous nous engageons à offrir tout le support dont vous et votre appareil avez besoin afin que vous puissiez profiter pleinement de votre appareil.

Ne pas hésiter à contacter notre département de service à la clientèle si vous avez des questions ou dans le cas peu probable que votre appareil Bosch® ait besoin d'entretien. Notre équipe de service est prête à vous aider.

### USA

800-944-2904

[www.bosch-home.com/us/support](http://www.bosch-home.com/us/support)

### Canada

800-944-2904

[www.bosch-home.ca/en/support](http://www.bosch-home.ca/en/support)

## Pièces et accessoires

Les pièces, les filtres, les décalamineuses, les nettoyants en acier inoxydable et plus encore peuvent être achetés dans le magasin en ligne Bosch ou par téléphone.

### USA

[www.bosch-home.com/us/store](http://www.bosch-home.com/us/store)

### Canada

Marcone 800-482-6022

ou

Reliable Parts 800-941-9217

# Contenido

<b>Definiciones de Seguridad .....</b>	<b>19</b>	<b>Dimensiones y requisitos del gabinete .....</b>	<b>23</b>
<b>INSTRUCCIONES DE SEGURIDAD IMPORTANTES ..</b>	<b>20</b>	Requisitos generales del gabinete .....	23
Seguridad con el manejo del electrodoméstico .....	20	Sección de la toma de corriente .....	23
Códigos y normas de seguridad .....	20	Dimensiones para unidades montadas a la pared de 30 pulg. ....	23
Seguridad con la electricidad .....	20	Dimensiones para unidades montadas a la pared de 27 pulg. ....	24
Seguridad con el microondas .....	20	<b>Instalación eléctrica .....</b>	<b>25</b>
<b>INSTRUCCIONES PARA LA CONEXIÓN A TIERRA ..</b>	<b>21</b>	<b>Montaje del electrodoméstico .....</b>	<b>25</b>
Seguridad relacionada con los equipos .....	21	Monte el electrodoméstico en el gabinete .....	25
Advertencias en virtud de la Proposición 65 del estado de California .....	21	<b>Prueba del funcionamiento .....</b>	<b>26</b>
<b>Antes de empezar .....</b>	<b>22</b>	<b>Soporte de Bosch® .....</b>	<b>26</b>
Herramientas y piezas necesarias .....	22	Antes de llamar al servicio .....	26
Piezas incluidas .....	22	Placa de datos .....	26
Requisitos de electricidad .....	22	Servicio técnico .....	26
<b>Lista de verificación de instalación .....</b>	<b>22</b>	Piezas y accesorios .....	26
<b>Quitar el embalaje .....</b>	<b>22</b>		

¿Preguntas?  
1-800-944-2904  
www.bosch-home.com  
1901 Main Street, Suite 600  
Irvine, CA 92614  
¡Con gusto lo atenderemos!

## Definiciones de Seguridad

### ▲ ADVERTENCIA

Esto indica que se pueden producir lesiones graves o la muerte si no se cumple con esta advertencia.

### ▲ ATENCION

Esto indica que pueden producirse lesiones leves o moderadas si no se cumple con esta advertencia.

**AVISO:** Esto indica que puede producirse un daño al electrodoméstico o a la propiedad como resultado de la falta de cumplimiento de este aviso.

**Nota:** Esto lo alerta sobre información y/o consejos importantes.

# INSTRUCCIONES DE SEGURIDAD IMPORTANTES

## LEA Y CONSERVE ESTAS INSTRUCCIONES

INSTALADOR: DEJE ESTAS INSTRUCCIONES CON EL ELECTRODOMÉSTICO CUANDO HAYA FINALIZADO LA INSTALACIÓN.

IMPORTANTE: CONSERVE ESTAS INSTRUCCIONES PARA USO DEL INSPECTOR DE ELECTRICIDAD LOCAL.

---

### ADVERTENCIA

Si no sigue la información de este manual exactamente, se puede ocasionar un incendio o una descarga eléctrica que puede causar daños materiales o lesiones personales.

---

---

### ADVERTENCIA

No repare ni reemplace ninguna parte del electrodoméstico, a menos que esté específicamente recomendado en este manual. Nunca modifique ni altere la construcción del electrodoméstico. La instalación, servicio técnico o mantenimiento incorrectos pueden causar lesiones o daños materiales. Consulte este manual para su orientación. Remita todas las reparaciones a un centro de servicio técnico autorizado por la fábrica.

---

## Seguridad con el manejo del electrodoméstico

La unidad es pesada y se requieren al menos dos personas o un equipo adecuado para trasladarla. No levante el electrodoméstico tomándolo del asa de la puerta.

Las superficies ocultas pueden tener bordes filosos. Proceda con cuidado al intentar tomar el electrodoméstico por la parte trasera o desde abajo.

## Códigos y normas de seguridad

Este electrodoméstico cumple con la última versión de una o más de las siguientes normas:

- CAN/CSA C22.2 No. 61 - Estufas de uso doméstico (Household Cooking Ranges)
- UL 858 - Estufas eléctricas de uso doméstico (Household Electric Ranges)
- CAN/CSA C22.2 N.º 150 - Hornos de microondas (Microwave Ovens)
- UL 923 - Electrodomésticos de cocción por microondas (Microwave Cooking Appliances)
- UL 507 - Ventiladores eléctricos (Electric Fans)
- CAN/CSA C22.2 No. 113 - Ventiladores (Fans and Ventilators)
- CSA C22.2 N.º 64 - Electrodomésticos para cocinar y para calentar líquidos de uso doméstico (Household Cooking and Liquid-Heating Appliances)

- UL 1026 - Electrodomésticos para cocinar y para servir alimentos eléctricos de uso doméstico (Electric Household Cooking and Food Serving Appliances)

Es responsabilidad del propietario y el instalador determinar si se aplican otros requisitos y/o normas en instalaciones específicas.

## Seguridad con la electricidad

---

### ADVERTENCIA

Antes de enchufar un cable eléctrico o apagar la fuente de alimentación eléctrica, asegúrese de que todos los controles se encuentren en la posición OFF (Apagado).

---

Para los electrodomésticos equipados con cable y enchufe, no corte ni retire la espiga de conexión a tierra. Debe enchufarse en un receptáculo de conexión a tierra compatible para evitar descargas eléctricas. Si tiene alguna duda respecto de si el receptáculo de pared está correctamente conectado a tierra, el cliente debe solicitar la verificación de un electricista calificado.

Si el Código Nacional Eléctrico (o el Código Eléctrico Canadiense) así lo requiere, este electrodoméstico debe instalarse en un circuito derivado por separado.

El instalador debe mostrar al propietario la ubicación del disyuntor o el fusible. Márquela para recordarla más fácilmente.

Antes de realizar la instalación, apague la alimentación eléctrica en el panel de servicio. Trabe el panel de servicio para impedir que se encienda accidentalmente la alimentación eléctrica.

Asegúrese de que el electrodoméstico sea correctamente instalado y conectado a tierra por un técnico calificado. La instalación, las conexiones eléctricas y la conexión a tierra deben cumplir con todos los códigos correspondientes.

## Seguridad con el microondas

PRECAUCIONES QUE DEBE TENER EN CUENTA ANTES DEL SERVICIO TÉCNICO Y DURANTE ESTE PARA EVITAR LA POSIBLE EXPOSICIÓN A UN EXCESO DE ENERGÍA DE MICROONDAS

- No maneje ni permita que se maneje el horno con la puerta abierta.
- Realice los siguientes controles de seguridad en todos los hornos que necesitan servicio técnico antes de activar el magnetrón u otra fuente de microondas, y haga las reparaciones según corresponda:

1. Funcionamiento del enclavamiento
2. Cierre correcto de la puerta
3. Sellos y superficies sellantes (arcos eléctricos, desgaste y otros daños)
4. Bisagras y trabas dañadas o sueltas
5. Evidencia de caídas o abuso

- Antes de activar la alimentación eléctrica del microondas para realizar pruebas o inspecciones de



# **⚠ INSTRUCCIONES DE SEGURIDAD IMPORTANTES**

## **LEA Y CONSERVE ESTAS INSTRUCCIONES**

servicio técnico en los compartimentos que generan microondas, verifique el magnetrón, la guía de onda luminosa o la línea de transmisión, y verifique que la alineación, la integridad y la conexión de la cavidad sean correctas.

- Se deben reparar, reemplazar o ajustar todos los componentes dañados o mal ajustados de los sistemas de enclavamiento, monitoreo, sello de la puerta y generación y transmisión de microondas, según los procedimientos descritos en este manual, antes de devolver el horno a su propietario.
- Se debe realizar en cada horno un control de fugas de microondas para verificar el cumplimiento con la Norma de Rendimiento Federal (Federal Performance Standard), antes de devolverlo a su propietario.

### **INSTRUCCIONES PARA LA CONEXIÓN A TIERRA**

Este aparato debe estar conectado a tierra. En caso de un cortocircuito eléctrico, la conexión a tierra reduce el riesgo de descarga eléctrica proporcionando un cable de escape para la corriente eléctrica.

Este aparato viene equipado con un cable que tiene un alambre de conexión a tierra con un enchufe de conexión a tierra. El enchufe debe colocarse en una toma de corriente que esté instalada y conectada a tierra en forma adecuada.

---

#### **ADVERTENCIA**

La incorrecta conexión a tierra puede provocar un riesgo de descarga eléctrica. Consulte a un electricista calificado si no comprende la totalidad de las instrucciones de conexión a tierra o si tiene alguna duda respecto de si el aparato está correctamente conectado a tierra. No use un cable de extensión. Si el cable de alimentación eléctrica es demasiado corto, solicite a un electricista calificado que instale una toma de corriente cerca del aparato.

---

### **Seguridad relacionada con los equipos**

Retire toda la cinta y el embalaje antes de usar el electrodoméstico. Destruya el embalaje después de desembalar el electrodoméstico. Nunca deje que los niños jueguen con el material de embalaje.

Nunca modifique ni altere la construcción del electrodoméstico. Por ejemplo, no retire las patas niveladoras, paneles, cubiertas para cables ni soportes/tornillos antivuelco.

---

#### **ADVERTENCIA**

A fin de reducir el riesgo de incendio, utilizar únicamente conducciones de metal.

---

---

#### **ATENCIÓN**

Solo para la ventilación general. No utilizar para la extracción de sustancias y vapores peligrosos o explosivos.

---

### **Advertencias en virtud de la Proposición 65 del estado de California**

---

#### **ADVERTENCIA**

Este producto contiene una o más sustancias químicas que el estado de California sabe que provocan cáncer, defectos congénitos, u otro daño reproductivo.

---

---

# Antes de empezar

## Herramientas y piezas necesarias

- Destornillador con cabeza Phillips
- Taladro y broca de taladro de 1/8 pulg.
- Cinta métrica

## Piezas incluidas

- Horno microondas
- Tornillos con cabeza Phillips

## Requisitos de electricidad

La toma de corriente debe tener la conexión a tierra adecuada de conformidad con todos los códigos correspondientes.

Se puede instalar en la pared trasera, directamente detrás del aparato.

También puede conectar su aparato directamente a un horno encastrable convencional compatible. Consulte las instrucciones de combinación separadas.

---

# Lista de verificación de instalación

Use esta lista de verificación para verificar que haya completado cada paso del proceso de instalación. Esta lista puede ayudarlo a evitar errores comunes.

Consulte las instrucciones detalladas para cada paso en las secciones que se encuentran a continuación de esta lista de verificación.

1. Antes de instalar el aparato, asegúrese de verificar que las medidas del gabinete sean correctas para su aparato y que estén presentes las conexiones eléctricas requeridas. Asegúrese de que el conducto eléctrico proporcionado en el aparato pueda llegar al punto de conexión.

*Sección: Requisitos de medidas y del gabinete*

2. Mueva el aparato a su lugar, en frente de la abertura del gabinete.

*Sección: Retiro del embalaje*

3. Retire los materiales de embalaje, pero deje el embalaje de la parte inferior en el aparato para evitar daños al piso.

*Sección: Retiro del embalaje*

4. Con ayuda, levante el aparato y colóquelo directamente en el hueco del gabinete.

*Sección: Instalación del aparato, "Montaje en el gabinete"*

5. Deslice completamente el aparato en su lugar.

*Sección: Instalación del aparato, "Montaje en el gabinete"*

6. Sujete el aparato en la abertura del gabinete con los tornillos suministrados.

*Sección: Instalación del aparato, "Montaje en el gabinete"*

Lea y siga siempre las instrucciones de instalación completas incluidas en este manual.

---

# Quitar el embalaje

**AVISO:** Para evitar que se dañe su piso, mantenga la unidad en su base de embalaje hasta que esté lista para ser colocada en la abertura del gabinete. No arrastre la unidad por el piso.

Los distintos modelos utilizan distintos materiales de embalaje. El soporte permanece en la base de embalaje.

1. Corte las correas que se encuentran fuera de la caja.
2. Retire la caja de cartón.
3. Retire todas las abrazaderas superiores y laterales de cartón y Styrofoam.
4. Coloque el horno delante de los gabinetes, en el lugar donde se instalará.

**AVISO:** Para evitar daños al horno de microondas no agarre ni use la puerta así como tampoco la manija de la puerta mientras se está manejando el horno de microondas.

# Dimensiones y requisitos del gabinete

## Requisitos generales del gabinete

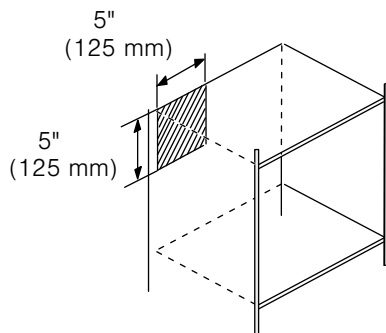
Los requisitos del gabinete varían según el modelo a instalar. Por favor consulte la sección *dimensión* para los detalles relativos a su modelo en particular.

### Todos los modelos requieren:

- Un espacio de ¼ pulg. (6.4 mm) entre el costado del horno y una pared adyacente o la puerta del gabinete, cuando está instalado al final de un tramo de gabinetes.
- La base del gabinete debe ser plana y debe ser capaz de soportar el peso de su aparato cuando esté en uso. Consulte el peso adecuado para su modelo en la sección *Medidas* correspondiente a su modelo en particular. Para las unidades combinadas, consulte la sección *Requisitos de medidas del gabinete* en el manual de instalación de su aparato combinado.
- La puerta del aparato se superpondrá con el mueble que se encuentre debajo aproximadamente 3/16" (5 mm) cuando esté abierta. De ser necesario, puede elevar la posición del aparato agregando un panel del grosor requerido encima de la base de apoyo. La base de apoyo debe estar nivelada y debe fijarse firmemente al gabinete.

## Sección de la toma de corriente

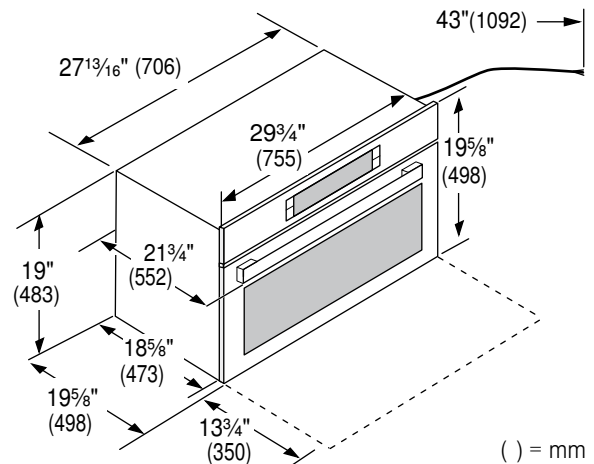
La salida puede estar ubicada en cualquier parte dentro del área sombreada. Dentro del área sombreada, la distancia mínima entre el aparato y la pared es de 1¾ pulgadas (45 mm).



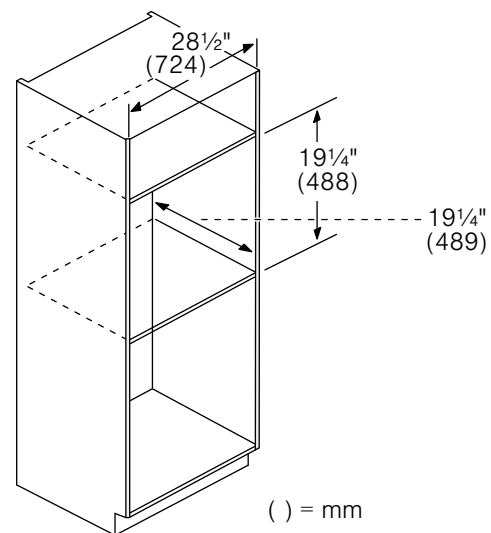
## Dimensiones para unidades montadas a la pared de 30 pulg.

HMB50152UC  
HMB50162UC

### Dimensiones del electrodoméstico

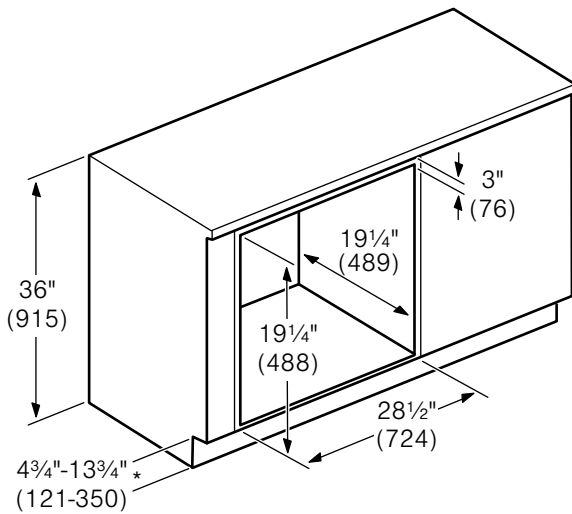


### Dimensiones del hueco para el gabinete

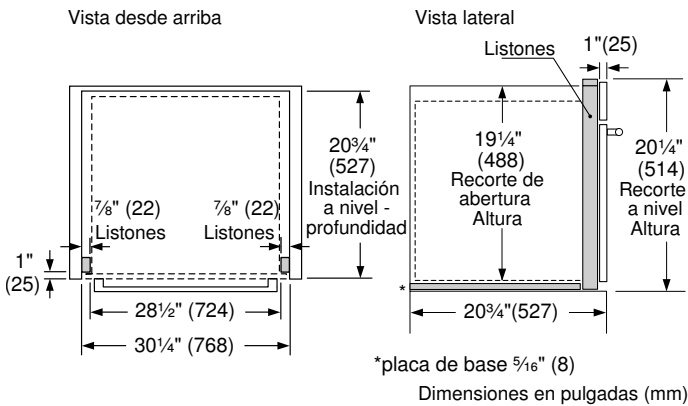


**AVISO:** La base del gabinete debe ser plana y capaz de sostener un peso de por lo menos 142 lb (64.1 kg).

## Dimensiones bajo barra unidades de 30"



## Instalación a ras unidades de 30 pulg



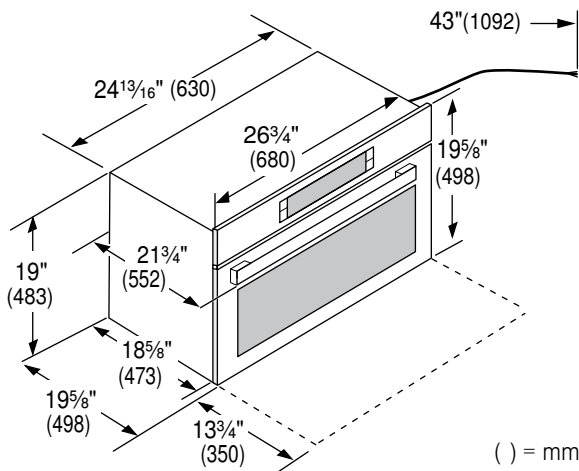
La instalación a ras requiere también:

- dos refuerzos laterales a fijarse dentro del marco del gabinete, empotrados desde la parte delantera.
- una placa base de 5/16" (8 mm) debajo del cuerpo de la unidad.

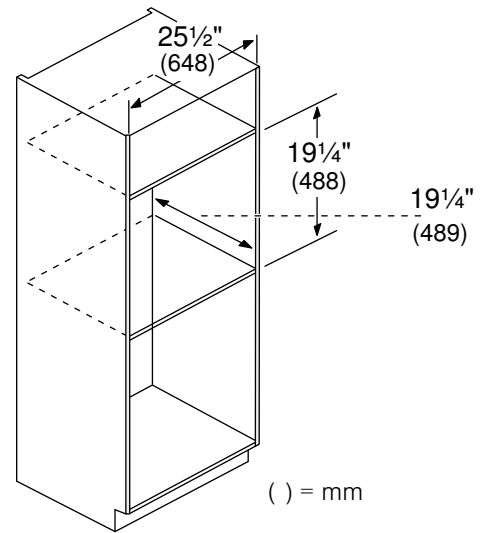
## Dimensiones para unidades montadas a la pared de 27 pulg.

HMB57152UC

## Dimensiones del electrodoméstico

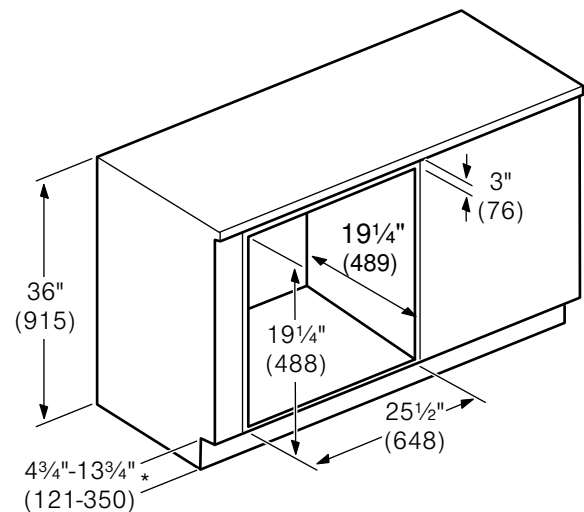


## Dimensiones del hueco para el gabinete

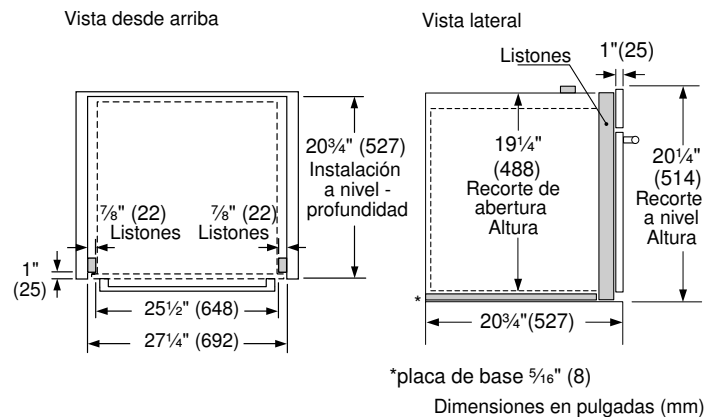


**AVISO:** La base del gabinete debe ser plana y capaz de sostener un peso de por lo menos 142 lb (64.1 kg).

## Dimensiones bajo barra unidades de 27"



## Montaje a nivel modelos de 27 pulg.



La instalación a ras requiere también:

- dos refuerzos laterales a fijarse dentro del marco del gabinete, empotrados desde la parte delantera.

- una placa base de  $\frac{5}{16}$ " (8 mm) debajo del cuerpo de la unidad.

## Instalación eléctrica

El modelo mencionado en la tapa frontal está diseñado para conectarse a una fuente de alimentación de 120 V CA y 60 Hz. Se utiliza un conector NEMA 5-15 para conectarlo a un circuito específico de microondas de 120 V.

Modelo	Conexión	Círculo Requisitos	
HMB57152UC	NEMA 5-15	120 V, 60 Hz	15 A
HMB50152UC	NEMA 5-15	120 V, 60 Hz	15 A
HMB50162UC	NEMA 5-15	120 V, 60 Hz	15 A

Requisitos eléctricos:

- un tomacorriente de tres clavijas con conexión a tierra
- 120 V, 60 Hz, solo CA
- Alimentación eléctrica de 15 amperios con un fusible o interruptor

Este producto se debe conectar a un circuito de alimentación de voltaje y frecuencia adecuados. El tamaño del cable debe cumplir con los requisitos del Código Eléctrico Nacional o del código local vigente para esta especificación. El cable de alimentación y el conector deberán conectarse a un tomacorriente individual separado con conexión a tierra con circuito de derivación de 20 amperios. La caja del tomacorriente debe estar ubicada en la zona detrás del aparato (ver sección *Dimensiones del gabinete*). La caja del tomacorriente y el circuito de alimentación deben ser instalados por un electricista calificado y cumplir con el Código Eléctrico Nacional o el código local vigente. El voltaje utilizado deber ser el mismo que el que se especifica en este horno de microondas. Utilizar un voltaje mayor es peligroso y podría ocasionar un incendio o dañar el horno. Utilizar un voltaje menor causará una cocción lenta. El fabricante no es responsable de los daños resultantes del uso del horno con un voltaje distinto al especificado.

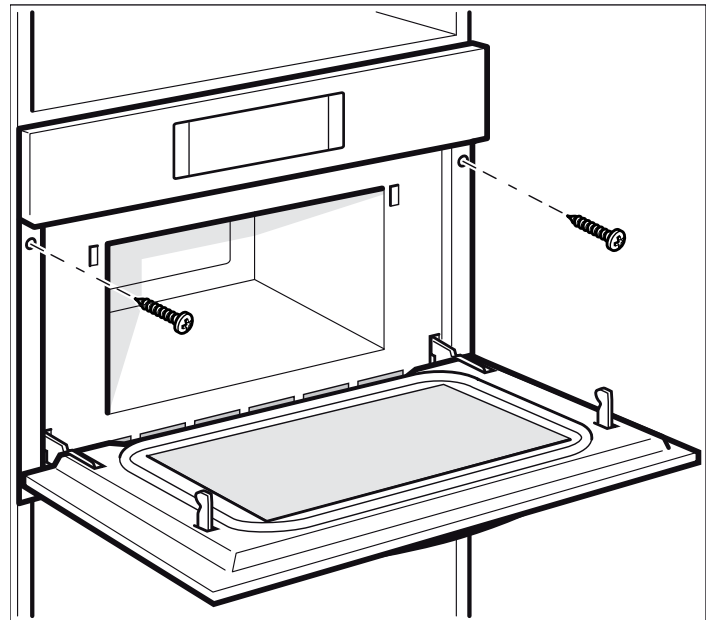
## Montaje del electrodoméstico

**Nota:** El aparato pesa demasiado. Se aconseja dos personas para insertarlo.

**AVISO:** Antes de instalar el aparato, asegúrese de verificar las dimensiones del gabinete y las conexiones eléctricas.

### Monte el electrodoméstico en el gabinete

1. Inserte el aparato por completo y céntralo. No pliegue el cable eléctrico.
2. Atornille el aparato en su lugar.



## Prueba del funcionamiento

1. Encienda la alimentación eléctrica desde el disyuntor.
2. Pruebe el microondas:  
Coloque una taza de agua en la cavidad del horno. Siga las instrucciones que se indican en el Manual de uso y cuidado sobre cómo calentar una bebida.
3. Verifique que la luz del horno se encienda y que el agua se caliente.
4. Si alguna de las pruebas no funciona según se explicó anteriormente, comuníquese con el Servicio técnico para obtener asistencia. De lo contrario, la instalación finaliza en este momento.

## Soporte de Bosch®

### Antes de llamar al servicio

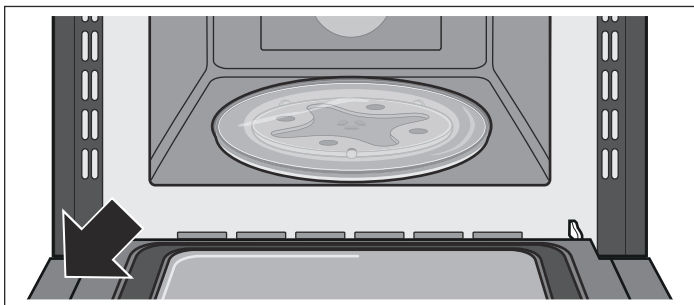
Para obtener información sobre resolución de problemas, consulte el Manual de uso y cuidado. Consulte la "Declaración de Garantía Limitada del Producto" en el Manual de uso y cuidado.

Para consultar a un representante de servicio técnico, remítase a la información de contacto que aparece en el frente del manual o en la siguiente sección. Cuando llame, tenga a la mano la información impresa en la placa de datos de su producto.

### Placa de datos

La placa de datos muestra el modelo y el número de serie. Al solicitar servicio técnico, consulte la placa de datos del aparato.

La placa de datos puede encontrarse en el interior de la puerta del aparato.



Para evitar tener que buscar los datos de su aparato cuando los precise, es aconsejable anotarlos aquí conjuntamente con el número de teléfono del Servicio de atención al cliente:

---

**Nº de modelo**

---

**Nº FD**

---

**Fecha de compra**

---

**Servicio de atención al cliente** ☎

---

Conserve su factura o los papeles de depósito para la validación de la garantía si necesita solicitar servicio técnico.

### Servicio técnico

Sabemos que usted ha realizado una inversión considerable en su cocina. Nos dedicamos a brindar asistencia a usted y a su aparato de manera que tenga muchos años de cocina creativa.

No dude en comunicarse con nuestro Departamento de Atención al Cliente si tiene alguna pregunta o en el caso poco probable de que su aparato Bosch® necesite servicio técnico. Nuestro equipo de servicio técnico está listo para asistirlo.

#### EUA

800-944-2904

[www.bosch-home.com/us/support](http://www.bosch-home.com/us/support)

#### Canadá

800-944-2904

[www.bosch-home.ca/en/support](http://www.bosch-home.ca/en/support)

### Piezas y accesorios

Puede comprar piezas, filtros, productos para eliminar el sarro, limpiadores para acero inoxidable y más artículos en la tienda electrónica de Bosch® o por teléfono.

#### EUA

[www.bosch-home.com/us/store](http://www.bosch-home.com/us/store)

#### Canadá

Marcone 800-482-6022

o

Reliable Parts 800-941-9217







**9001152482**

960224



**BOSCH**

Invented for life

1901 Main Street, Suite 600 • Irvine, CA 92614 • 800-944-2904  
[www.bosch-home.com](http://www.bosch-home.com) • © 2016 BSH Home Appliances