



Register your new Bosch now:
www.bosch-home.com/welcome



Fridge-freezer
Réfrigérateur / congélateur combiné
Refrigerador/congelador
B0..IB.....



BOSCH

en	Instruction manual	2
fr	Notice d'utilisation	25
es	Instrucciones de uso	50

en Table of contents

 Important safety instructions	3	 Home Connect	14
Definitions	3	Setting up Home Connect	14
About these instructions	3	Installing updates for the Home Connect software	16
Introduction	3	Information on data protection	17
Restriction of user group	3	 Refrigerator compartment	17
Risk of explosion	3	Note when storing food	17
Risk of electric shock	3	Note the chill zones in the refrigerator compartment	17
Risk of cold burns	4	 Cool-fresh compartment	18
Risk of Injury	4	Vegetable container	18
Fire hazard/Danger due to refrigerants	4	Cool-fresh bin	18
Risk of fire	4	Storage times at 32 °F (0 °C)	18
Risk of suffocation	4	 Freezer compartment	18
Damage	4	Fully utilizing the freezer volume	19
Weight	4	Purchasing frozen food	19
State of California Proposition 65 Warnings	4	When loading products	19
 Intended use	5	Freezing fresh food	19
 Environmental protection	5	Thawing frozen food	20
Packaging	5	 Defrosting	20
Old appliances	5	Cooling compartment	20
 Installation and connection	5	Freezer compartment	20
Contents of package	5	 Cleaning	20
Technical data	5	Cleaning the fittings	21
Installing the appliance	5	 Odors	22
Installation dimensions	6	 Lighting	22
Preparing furniture doors	6	 Noises	22
Niche dimensions	7	Normal noises	22
Side by side installation	7	Preventing noises	22
Saving energy	7	 Faults – what to do?	23
Before using for the first time	8	 Customer services	24
Electrical connection	8	Appliance self-test	24
 Getting to know your appliance	9	Warranty statement	24
Appliance	9		
Operating controls	10		
Equipment	11		
 Operating the appliance	12		
Switching on the appliance	12		
Switching off and disconnecting the appliance	13		
Setting the temperature unit	13		
Setting the temperature	13		
Super cooling	13		
Super freezing	13		
Vacation mode	13		
 Alarm	14		
Door alarm	14		
Temperature alarm	14		

Important safety instructions

READ INSTRUCTIONS - DO NOT DISCARD!

Definitions

WARNING

Non-observance of this warning could result in death or serious injuries.

CAUTION

Non-observance of this warning could result in slight or moderately serious injuries.

NOTICE: Non-observance of this information could damage the appliance.

Note: This indicates important information and/or tips.

About these instructions

- Read and follow the operating and installation instructions. They contain important information on how to install, use and maintain the appliance.
- The manufacturer is not liable if you disregard the instructions and warnings in the operating and installation instructions.
- Retain all documents for subsequent use or for the next owner.

Introduction

- This appliance complies with the relevant safety regulations for electrical appliances.
- The refrigeration circuit has been checked for leaks.

Restriction of user group

- This appliance is not intended for use by persons (including children) with reduced physical, sensory or mental capabilities, or lack of experience and knowledge, unless they have been given supervision or instruction concerning use of the appliance by a person responsible for their safety.


- Children should be supervised to ensure that they do not play with the appliance.

Risk of explosion

- Never use electric devices inside the appliance (e.g. heaters or electric ice makers).
- Do not store products which contain flammable propellants (e.g. spray cans) or explosive substances in the appliance.
- Only store high-proof alcohol tightly closed and standing up.
- Do not use other means to accelerate the defrosting process other than those recommended by the manufacturer.

Risk of electric shock

Improper installations or repairs may put the user at considerable risk.

- When installing the appliance, make sure that the power cord does not get jammed or damaged.
- In order to avoid danger, if the power cord is damaged, disconnect the appliance from the power source immediately. Have the power cord replaced by the manufacturer, customer service or a similarly qualified person.
- Do not use multiple outlets, extension cords, or adapters.
- Before servicing the appliance or carrying out installation work, disconnect the appliance from the power source or switch off the fuse.
Before cleaning the appliance, press the  button to turn the appliance off. Glass shelves and other equipment can be moved while the appliance is switched on.
- Never cut through or remove the power cord's third conductor (grounding conductor).
- Never defrost or clean the appliance using a steam cleaner. The steam may penetrate electrical parts and cause a short circuit.

Important safety instructions

READ INSTRUCTIONS - DO NOT DISCARD!

- The appliance, cord and accessories should only be repaired or replaced by the manufacturer or an authorized service provider.
- Only use original parts supplied by the manufacturer.
These parts come with a warranty from the manufacturer that they satisfy the safety requirements.

Risk of cold burns

- Never put frozen food straight from the freezer compartment into your mouth.
- Avoid prolonged contact of skin with frozen food, ice and the tubes in the freezer compartment.

Risk of Injury

Containers which contain carbonated drinks may burst.

Do not store containers which contain carbonated drinks in the freezer compartment.



Fire hazard/Danger due to refrigerants

The tubes of the refrigeration circuit contain a small quantity of an environmentally friendly but flammable refrigerant (R600a). It does not damage the ozone layer and does not add to the greenhouse effect. If the refrigerant escapes, it may injure your eyes or ignite.

- Do not damage the tubes.

If the tubes are damaged:

- Keep naked flames and ignition sources away from the appliance.
- Ventilate the room.
- Switch off the appliance and unplug the mains plug.
- Please contact customer service.



Risk of fire

Portable multi-outlet power strips and portable power supplies may overheat, causing a fire.
Never leave portable multi-outlet power strips or portable power supplies behind the appliance.

Risk of suffocation

- If the appliance features a door lock: keep the key out of the reach of children.
- Keep children away from the packaging and its parts.

Damage

To avoid damage:

- Do not stand or lean on the base, runners or doors.
- Keep plastic parts and door seals free of oil and grease.
- Pull the power plug – not the power cord.

Weight


The appliance is very heavy. The appliance should always be transported and set up by at least 2 people.

→ "Installing the appliance" on page 5

State of California Proposition 65 Warnings

This product may contain a chemical known to the State of California, which can cause cancer or reproductive harm. Therefore, the packaging of your product may bear the following label as required by California:

STATE OF CALIFORNIA PROPOSITION 65 WARNING: /
AVERTISSEMENT ISSUE DE LA PROPOSITION 65
DE L'ÉTAT DE LA CALIFORNIE:

 **WARNING /
AVERTISSEMENT**

Cancer and Reproductive Harm / Cancer et dommages à la
reproduction - www.P65Warnings.ca.gov.

Intended use

Use this appliance

- only for cooling and freezing food and for making ice.
- only in the home and in the home environment.
- only according to these operating instructions.

This appliance is intended for use at an elevation of no more than 2000 meters above sea level.

Environmental protection

Packaging

All materials are environmentally safe and recyclable:

- Dispose of packaging in an environmentally responsible manner.
- Please ask your dealer or inquire at your local authority about current means of disposal.

Old appliances

Valuable raw materials can be reclaimed by recycling old appliances.

WARNING

CHILDREN MAY BECOME LOCKED IN THE APPLIANCE AND SUFFOCATE!

Before disposing of your old appliance:

- Remove the door.
- Leave shelves and bins in the appliance to prevent children from climbing in.
- Keep children away from the discarded appliance.

CAUTION

REFRIGERANT AND HARMFUL GASES MAY ESCAPE.

Do not damage the tubes of the refrigeration circuit and insulation.

1. Pull out the power plug.
2. Cut through the power cord.
3. Have the appliance disposed of properly.

Installation and connection

Contents of package

After unpacking all parts, check for any damage during transport.

If you have any complaints, please contact the dealer from whom you purchased the appliance or our customer service.

→ "Customer service" on page 24

The delivery consists of the following parts:

- Built-in appliance
- Equipment (depending on model)
- Installation material
- Instruction manual
- Installation instructions
- Customer service booklet
- Statement of limited product warranty
- Warranty enclosure
- Information on the energy consumption and noises

Technical data

Refrigerant, cubic capacity and further technical specifications can be found on the rating plate.

→ "Getting to know your appliance" on page 9

Installing the appliance

Installation location

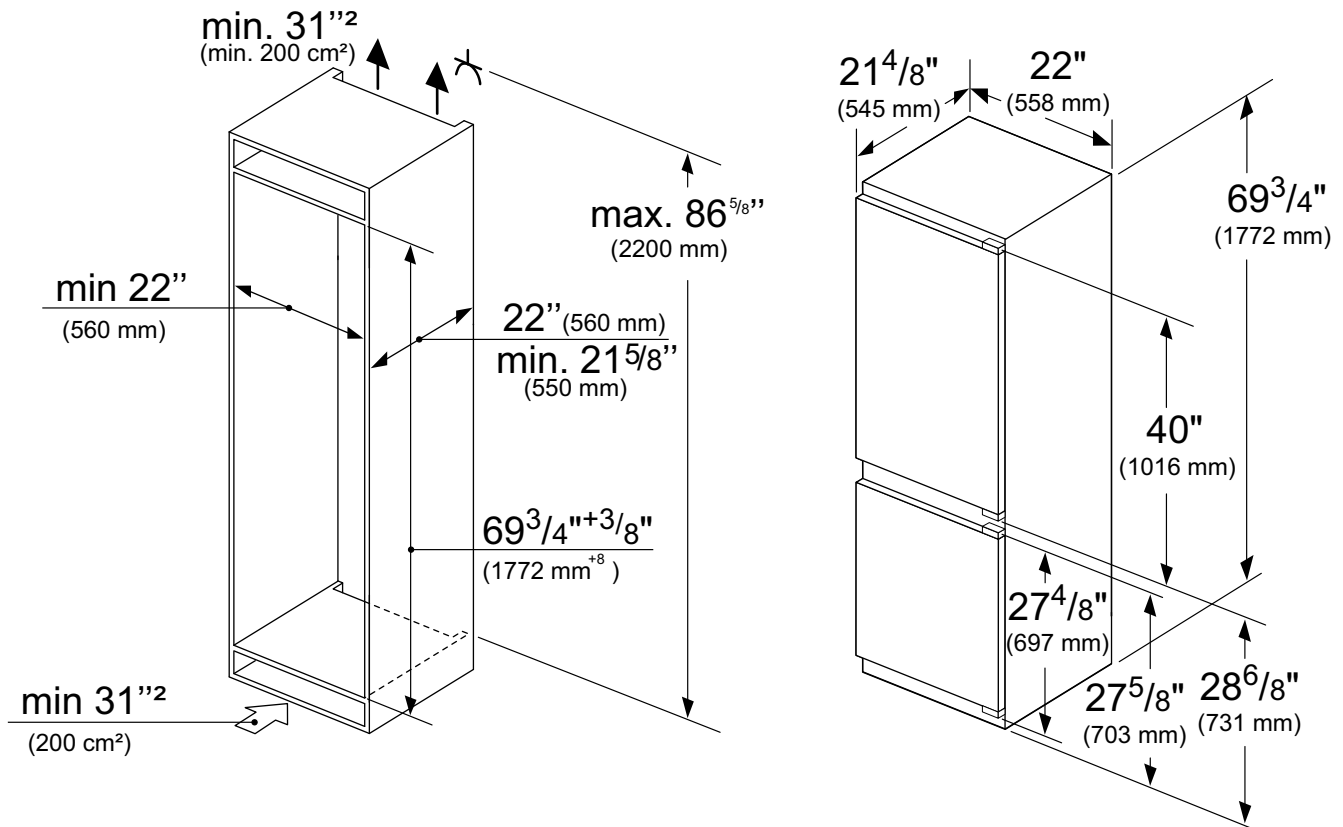
The more refrigerant an appliance contains, the larger the space must be in which the appliance is located. In cramped spaces, a leak may result in a flammable gas-air mixture.

The space must be at least 36 ft³ (1 m³) per 8 g of refrigerant. The amount of refrigerant in your appliance is indicated on the rating plate inside the appliance.

→ "Getting to know your appliance" on page 9

The weight of the appliance may be up to 166 lbs (75 kg) depending on the model.

Installation dimensions

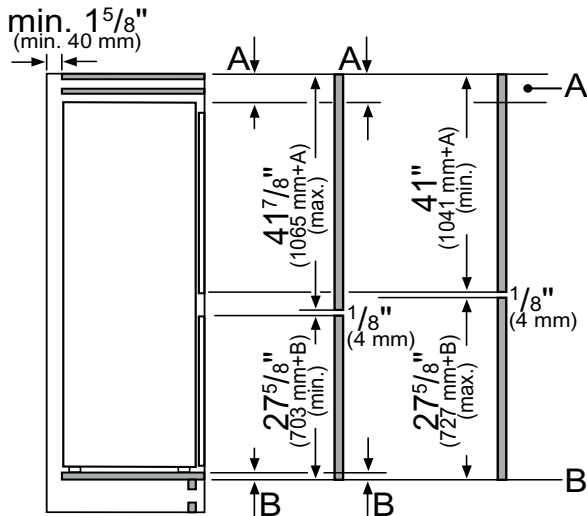


Preparing furniture doors

Note: When working on furniture doors, always observe the following:

- Select a furniture door thickness between at least 5/8" (16 mm) and 3/4" (19 mm).
- Always select a screw length that is shorter than the thickness of the furniture door.
- Always insert screws into the part of the furniture door that is best able to handle the load.
- Do not insert screws into fillings, or similar.
- Do not insert screws into filters, decorative strips, or similar.
- Protect the furniture door surfaces against damage during installation.

Furniture door dimensions



Key	
A	Furniture door protrusion
B	Lower edge of furniture door

Saving energy

If you follow the instructions below, your appliance will use less power.

Note: The arrangement of the fittings does not affect the energy consumption of the appliance.

The specified furniture door dimensions apply for a door gap of $\frac{5}{32}$ " (4 mm).

Niche dimensions

Cavity depth

A cavity depth of $22\frac{3}{64}$ " (56 cm) is recommended for the appliance. If the cavity depth is smaller – at least $21\frac{21}{32}$ " (55 cm) – the energy consumption increases slightly.

Niche width

An inside niche width of at least $22\frac{3}{64}$ " (56 cm) is required for the appliance. Any deviations from this requirement may cause problems when installing the appliance.

Side by side installation

It is only possible to install appliances side by side with a gap of at least 5.9" (15 cm).

Installing the appliance

- Keep the appliance out of direct sunlight.
- Install the appliance as far away as possible from heating elements, cooker and other heat sources:
 - $1\frac{1}{4}$ " (3 cm) to electric or gas cookers
 - $1\frac{13}{16}$ " (30 cm) to oil or solid fuel cookers
- Select an installation location with a room temperature of approx. 68°F (20°C).
- Use a cavity depth of $22\frac{3}{64}$ " (56 cm).

The appliance needs to cool less frequently at low ambient temperatures and therefore consumes less power.

CAUTION

Risk of burns!

Individual parts of the appliance become hot during operation. Touching these parts may result in burns.

The air on the back panel of the appliance does not warm up as intensely. The appliance consumes less power if the warm air can escape.

- Do not cover or block the ventilation openings.
- Ventilate the room daily.

Using the appliance	
Open the appliance door only briefly.	The air in the appliance does not warm up as intensely. The appliance needs to cool less frequently and therefore consumes less power.
Transport purchased food in a cool bag and place in the appliance quickly.	
Let warm food and drinks cool down before placing them in the appliance.	
Place food to be defrosted in the cooling compartment in order to utilize the low temperature of the frozen food.	The air can circulate and the humidity will remain constant. The appliance needs to cool less frequently and therefore consumes less power.
Always leave a space between the food and to the back panel.	
Pack food airtight.	The air on the back panel of the appliance does not warm up as intensely. The appliance consumes less power if the warm air can escape.
Do not cover or block the ventilation openings.	
Close the freezer compartment door carefully.	The freezer compartment will become covered in thick ice. If greater demands are made of the appliance, the power consumption will increase.

Before using for the first time

1. Remove information material, adhesive tape and protective foil.
2. Clean the appliance.
→ "Cleaning" on page 20

Electrical connection

CAUTION

Do not connect the appliance to electronic energy saver plugs.

Note: You can connect the appliance to mains-controlled and sine-controlled inverters.

Mains-controlled inverters are used for photovoltaic systems which are connected directly to the national grid. Sine-controlled inverters must be used for isolated applications. Isolated applications, e.g. on ships or in mountain lodges, are not directly connected to the national grid.

1. After installing the appliance, wait at least 1 hour before connecting it to prevent damaging the compressor.
2. Check that the outlet was installed according to the regulations and complies with the requirements.

Requirements for outlets

Outlet with	110 V ... 120 V
Protective conductor	60 Hz
Fuse	10 A ... 16 A

Maximum simultaneous load

Appliance	6 A
-----------	-----

3. Connect the appliance to an outlet near the appliance. The outlet must also be freely accessible following installation of the appliance.

WARNING

RISK OF ELECTRIC SHOCK!

Never use multiple outlets, extension cords or adapters. The appliance must be grounded correctly. Never cut through or remove the power cord's third conductor (grounding conductor).

WARNING

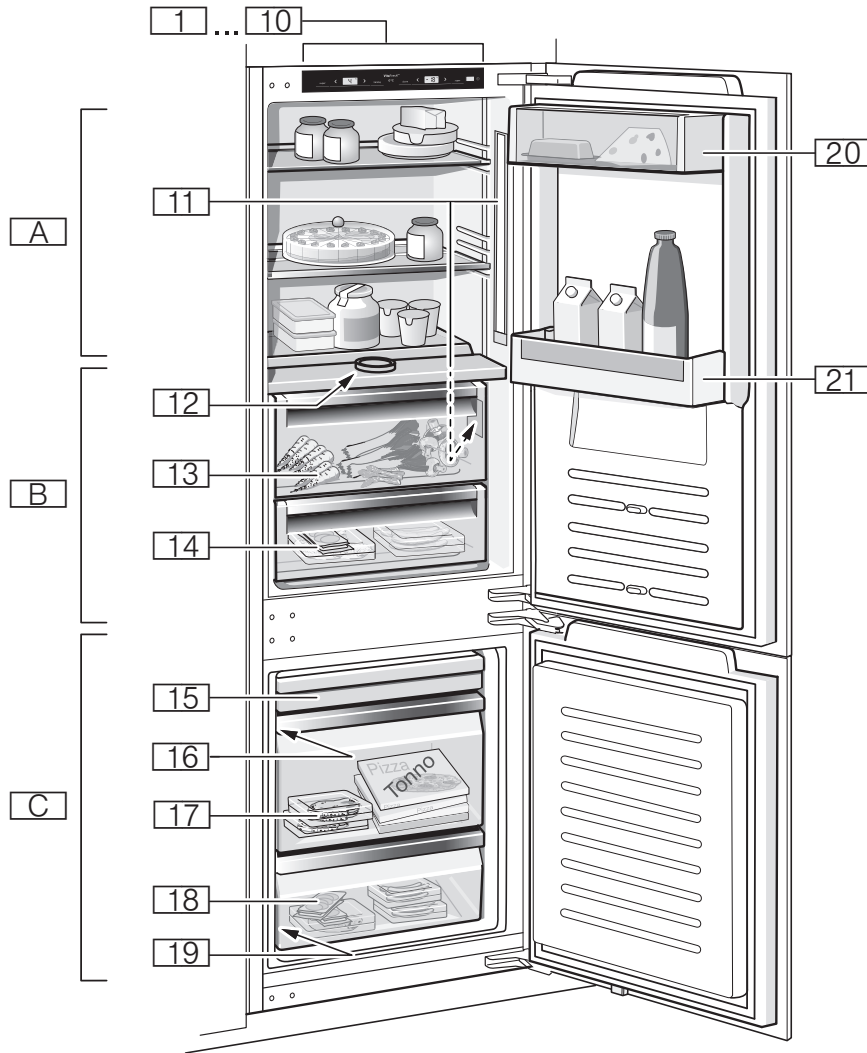
RISK OF ELECTRIC SHOCK!

If the power cord is too short, never use multiple outlets or extension cords. Instead, please contact customer service.

Getting to know your appliance

These operating instructions can be used for several models. Some of the diagrams may differ.

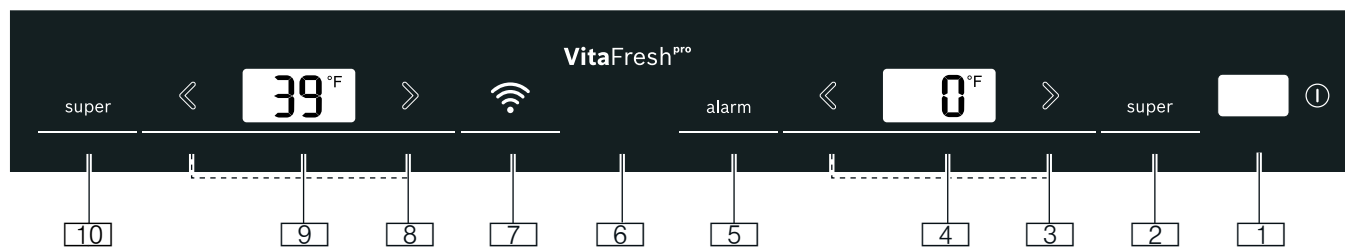
Appliance



* Not all models.

- A** Refrigerator compartment
- B** Cool-fresh compartment
- C** Freezer compartment
- 1 ... 10** Operating controls
- 11** Lights
- 12** Partition with humidity controller
- 13** Vegetable container
- 14** Cool-fresh bin
- 15*** Frozen food bin (flat)
- 16*** Freezer drawer
- 17** Frozen food bin (large)
- 18** Frozen food bin (small)
- 19** Rating plate
- 20** Butter and cheese compartment
- 21** Storage compartment for large bottles

Operating controls



- 1 ① button
Switches the appliance on or off.
- 2 Freezer compartment **super** button
Switches super freezing on or off.
- 3 Freezer compartment </> button
Sets the temperature of the freezer compartment.
- 4 Freezer compartment temperature display
Indicates the set temperature in °F/°C.
- 5 **alarm** button
Switches the warning signal off.
- 6 **VitaFresh pro**
The display lights up if the appliance is in operation.
- 7 Wi-Fi button
Switches Home Connect on or off.
- 8 Refrigerator compartment </> button
Sets the temperature of the refrigerator compartment.
- 9 Refrigerator compartment temperature display
Indicates the set temperature in °F/°C.
- 10 Refrigerator compartment **super** button
Switches super cooling on or off.

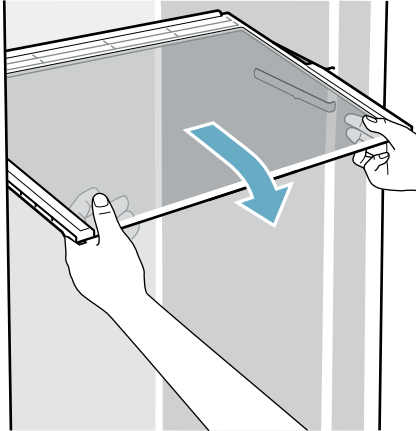
Equipment

(not all models)

Shelf

You can adjust the shelf:

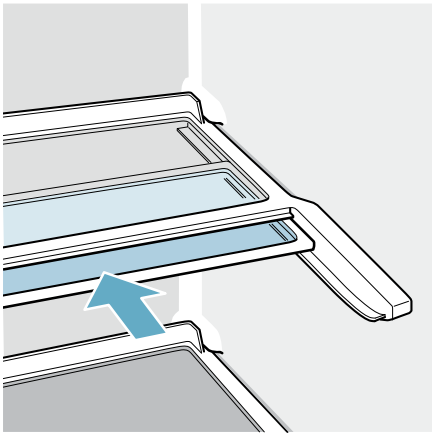
- Pull out and remove the shelf.



Vario shelf

You can store tall items (e.g. cans or bottles):

- Take out the front part of the shelf and push under the rear part.



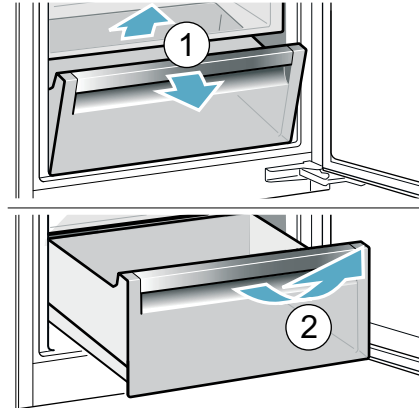
Vegetable container

You can remove the container:

- Lift the container at the rear and remove.

You can insert the container:

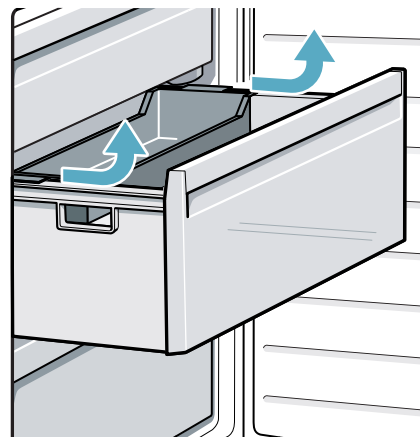
- Place the container on the telescopic rails and push into the appliance.



Freezer drawer

You can remove the tray:

1. Pull the container all the way out.
2. Lift tray and remove.



Frozen food container

You can remove the bin:

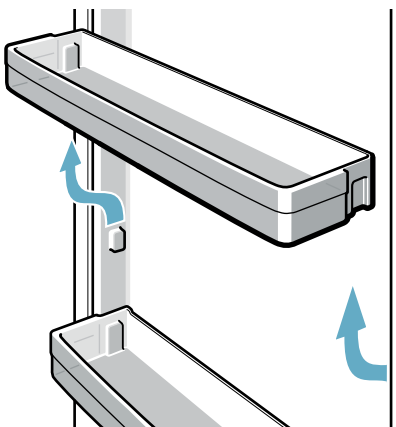
- Pull out the bin all the way, lift at the front and remove.



Storage compartment

You can remove the storage compartment:

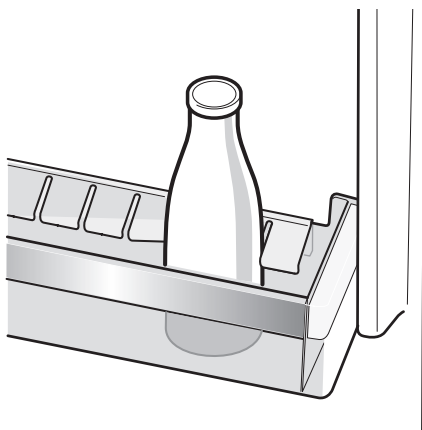
- Lift up the storage compartment and remove.



Bottle holder

When you open and close the door:

- The bottle holder prevents the bottles from overturning.



Ice cube tray

You can make ice cubes:

1. Fill the ice cube tray 3/4 full with water and place in the freezer compartment.

Note: If the ice tray is stuck to the freezer compartment, only use a blunt implement to loosen it (e.g. spoon handle).

2. To loosen the ice cubes, hold the ice cube tray briefly under running water or twist it slightly.

Ice pack

In the event of a power failure or a fault:

- The ice pack delays the warming of stored frozen food.

Note: The longest storage time is obtained by placing the ice pack on the food in the top compartment.

You can take out the ice pack to temporarily keep food cool, e.g. in a cool bag.



Operating the appliance

Switching on the appliance

1. Press **ⓘ** button.
The appliance begins to cool. Warning signal, flashing temperature display on the freezer compartment and lit button **alarm** indicate that the freezer compartment is still too warm.
2. Press **alarm** button.
The warning signal switches off.
3. Set the required temperature.
→ "Setting the temperature" on page 13

Operating tips

- When the appliance has been switched on, it may take several hours until the set temperatures have been reached. Do not put in any food until the selected temperature has been reached.
- The fully automatic NoFrost system ensures that the freezer compartment remains frost-free. Defrosting is not required.
- The front sides of the housing are partly heated slightly. This prevents condensation in the area of the door seal.
- If the freezer compartment door cannot be immediately re-opened after it has been closed, wait until the resulting low pressure has equalized.

Switching off and disconnecting the appliance

Switching off the appliance

- Press **⏻** button.
The appliance is no longer cooling.

Disconnecting the appliance

If you do not use the appliance for a prolonged period:

1. Press **⏻** button.
The appliance is no longer cooling.
2. Pull out mains plug or switch off fuse.
3. Clean the appliance.
4. Leave appliance open.

Setting the temperature unit

You can choose between °C or °F as the unit of temperature.

1. Press and hold **>** button.
Every half a second, the value changes in the display. After the display has cleared for half a second, **F** or **C** is shown for 1 second:
F if you are switching from °C to °F,
C if you are switching from °F to °C.
2. Release **>** button.
The unit has been changed.

Note: If you release the button before the end of the program, the unit doesn't change.

Setting the temperature

Recommended temperature

Cooling compartment: +39 °F (+4 °C)
Freezer compartment: 0 °F (-18 °C)

Cooling compartment

- Keep pressing the **</>** button until the display indicates the required temperature.

Cool-fresh compartment

The temperature in the cool-fresh compartment is kept at around 32°F (0°C).

Note: If frost forms on the food items in the cool-fresh compartment, set a higher temperature.
→ "Faults – what to do?" on page 23

Freezer compartment

- Keep pressing **</>** button until the display indicates the required temperature.

Super cooling

Super cooling cools the refrigerator compartment as cold as possible.

Switch on super cooling, e.g.:

- Before placing large quantities of food into the compartment
- For cooling drinks quickly

Note: When super cooling is switched on, increased operating noises may occur.

After approx. 15 hours, the appliance switches to normal operation.

Switching super cooling on/off:

- Press **super** button.
When super cooling is switched on, the button is lit up.

Super freezing

Super freezing cools the freezer compartment to as cold as possible.

Super freezing can be switched on in many different situations, e.g.:

- To quickly freeze food right through to the center
- 1 to 2 hours before freezing food weighing 2 kg or more

Note: When super freezing is switched on, increased operating noise may occur.

Switching super freezing on/off:

- Press **super** button.
When super freezing is switched on, the button is lit.

Vacation mode

If leaving the appliance for a long period of time, you can switch it over to energy-saving vacation mode.

The temperature in the refrigerator compartment is automatically switched to 58°F (+14°C).

Do not store any food in the refrigerator compartment during this time.

The temperature in the freezer compartment remains unchanged.

Switching on holiday mode:

- Press **>** refrigerator compartment button until the display **[9]** shows **Ho**.
When holiday mode is switched on, the refrigerator compartment temperature display no longer shows a temperature.

Switching off holiday mode:

- Press **<** refrigerator compartment button until the display **[9]** shows the required temperature.

Alarm

Door alarm

If the appliance door is open for a while, the door alarm switches on.

- Close the door or press **alarm** button. The warning signal is switched off.

Temperature alarm

If the freezer compartment becomes too warm, the temperature alarm is switched on.

CAUTION

DURING THE THAWING PROCESS, BACTERIA MAY DEVELOP AND SPOIL THE FROZEN ITEMS

Do not refreeze partly or completely thawed food.

Refreeze food only after cooking. The frozen items should no longer be stored for the maximum storage period.

Note: The alarm may activate itself without risk to the frozen food in the following situations:

- The appliance is switching on.
- Large quantities of fresh food are being placed inside.
- The freezer compartment door has been open too long.

Indicating warmest temperature and switching off warning signal:

- Press **alarm** button. The display briefly indicates the warmest temperature reached in the freezer compartment. Then the display indicates the set temperature again. From this time on the warmest temperature is recalculated and saved.

Note: The **alarm** button remains lit until the set temperature has been reached again.

Home Connect

This appliance is Wi-Fi-capable and can be controlled remotely using a mobile device.

Note: Wi-Fi is a registered trade mark of the Wi-Fi Alliance.

In the following cases, the appliance functions like a refrigerator without a network connection and can still be operated manually via the controls:

- The appliance is not connected to a home network.
- The availability of the Home Connect function depends on the availability of Home Connect services in your country. Home Connect services are not available in every country. You can find more information on www.home-connect.com.

Note: Please observe the safety information in this instruction manual. Ensure that this is also observed if you operate the appliance via the Home Connect app and are not at home when doing so.

→ *"Important safety instructions" on page 3*

Follow the instructions in the Home Connect app as well.

Setting up Home Connect

Notes


- Take note of the Home Connect supplementary sheet, which is available for download at <http://www.bosch-home.com> together with the instructions. To do so, enter the E-number of your appliance in the search field.
- After switching on the appliance, wait at least two minutes until the internal device initialization process has been completed. Only then start setting up Home Connect.
- To be able to make settings with Home Connect, you need to install the Home Connect app on your end device. To do this, please take note of the documentation that has also been supplied from Home Connect.

Follow the steps specified by the app to make the settings.

- If the device is not operated for a prolonged period, the Home Connect menu will close automatically. You can find information on how to open the Home Connect menu at the start of the appropriate chapter.

Automatic connection with the home network (WLAN)

If a WLAN router with WPS function is available, the refrigerator can be automatically connected to the home network.


1. Press  button.
The refrigerator compartment temperature display shows **Cn**.
2. Press \langle / \rangle refrigerator compartment button until the refrigerator compartment temperature display shows **AC** and the freezer compartment temperature display shows **OF**.
3. Press \langle / \rangle freezer compartment button.
The appliance is ready for automatic connection. The freezer compartment temperature display shows an animation for 2 minutes. The appliance is ready for automatic connection for as long as the animation is displayed.
4. Within those 2 minutes activate the WPS function on the home network router (e.g. using WPS/WLAN button. Observe the information on this topic in the router documentation).
If the connection is successful, **On** flashes up in the freezer compartment temperature display. The refrigerator is ready for connection with the app.

Note: If the freezer compartment temperature display shows **OF**, no connection could be established.




1. Check whether the refrigerator is located within the range of the home network (WLAN).
2. Repeat the process or establish the connection manually.

Manual connection with the home network (WLAN)

If the existing WLAN router does not have a WPS function or if this is unknown, you can connect the refrigerator to the home network manually.

1. Press  button.
The refrigerator compartment temperature display shows **Cn**.
2. Press \langle / \rangle refrigerator compartment button until the refrigerator compartment temperature display shows **SA** and the freezer compartment temperature display shows **OF**.
3. Press \langle / \rangle freezer compartment button.
The appliance is ready for manual connection. The freezer compartment temperature display shows an animation. The appliance is ready for manual connection for as long as the animation is displayed.
4. The refrigerator has now set up its own WLAN network with the network name HomeConnect. You can now access this network with your mobile device.
5. Call up the WLAN settings in the settings menu of the mobile device.
6. Connect the mobile device with the WLAN network HomeConnect.
Password: HomeConnect
It can take up to 60 seconds to establish the connection.
7. After successfully connecting, open the Home Connect app on the mobile end device. The app will search for the refrigerator.
8. As soon as the refrigerator has been found, enter the network name (SSID) and the password (Key) of your own home network (WLAN) into the corresponding fields.
9. Confirm with **Transmit to domestic appliances** button.
 - If the connection is successful, **On** flashes up in the freezer compartment temperature display. You can now connect the refrigerator with the app.
 - If the freezer compartment temperature display shows **OF**, no connection could be established. Check whether the refrigerator is located within the range of the home network (WLAN). Repeat the process.


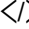
Connecting the appliance to the Home Connect app

1. Press  button.
The refrigerator compartment temperature display shows **Cn**.
2. Keep pressing  until the refrigerator compartment temperature display shows **PA** and the freezer compartment temperature display shows **OF**.
3. Press  to connect the appliance to the app.
The freezer compartment temperature display shows an animation.
As soon as the refrigerator and the app are connected, the freezer compartment temperature display shows **On**.
4. Open the app and wait until the refrigerator is displayed.
Press **Add** to confirm the connection between the app and the refrigerator.
If the refrigerator is not automatically displayed, click on **Add appliance** in the app and follow the instructions. As soon as your refrigerator is displayed, add it with **+**.
5. Follow the instructions in the app until the process is complete.
The refrigerator compartment temperature display shows **PA** and the freezer compartment temperature display shows **On**.
The refrigerator has been connected to the app.
If the connection fails, check whether the mobile device is connected to the home network (WLAN).
Then try to establish the connection again.
If **Er** appears in the freezer compartment temperature display, reset the Home Connect settings.

Note: On resetting, all Home Connect settings are reset.


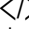
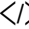
Verifying signal strength

You should verify the signal strength if no connection can be established.

1. Press  button.
The refrigerator compartment temperature display shows **Cn**.
2. Press  until the refrigerator compartment temperature display shows **SI**. In the freezer compartment temperature display, a value appears between 0 (no signal) and 3 (full signal).
The signal strength should be at least 2. If the signal strength is too weak, the connection may be interrupted.
 - Place the router and refrigerator closer together.
 - Check that screening walls do not interfere with the connection.
 - Alternatively, install a repeater to make the signal stronger.

Resetting Home Connect settings

If there is a problem when trying to establish a connection, or if you would like to register the appliance in a different home network (WLAN), the Home Connect settings can be reset:

1. Press  button.
The refrigerator compartment temperature display shows **Cn**.
2. Press  until the refrigerator compartment temperature display shows **rE** and the freezer compartment temperature display shows **OF**.
3. Press .
The freezer compartment temperature display shows an animation for 15 seconds.
The freezer compartment temperature display then shows **OF**.
The Home Connect settings have been reset.


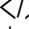
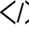
Installing updates for the Home Connect software

The refrigerator checks at regular intervals whether updates are available for the Home Connect software.

If an update is available, the refrigerator compartment temperature display shows **UP**.

Press any button to reset the display to the set temperature.

Installing the update:

1. Press  button.
The refrigerator compartment temperature display shows **Cn**.
2. Press  until the refrigerator compartment temperature display shows **UP** and the freezer compartment temperature display shows **OF**.
3. Press .
The freezer compartment temperature display shows an animation.
The update is installed.
All buttons are locked during installation.
 - If the installation has been successfully completed, the freezer compartment temperature display will show **On**.
 - If the installation has not been successfully completed, the freezer compartment temperature display will show **Er**.
Start the update again at a later time.
If the installation has still not been successfully completed after several attempts, inform customer services.

Information on data protection

The first time your Home Connect appliance is registered on the WLAN network connected to the Internet, your appliance will transmit the following types of data to the Home Connect server (initial registration):

- Unique appliance identification (consisting of appliance codes as well as the MAC address of the installed Wi-Fi communication module).
- Security certificate of the WiFi communication module (to ensure a secure data connection).
- The current software and hardware version of your domestic appliance.
- Status of any previous resetting to factory settings.

This initial registration prepares the Home Connect functions for use and is only required when you want to use these Home Connect functions for the first time.

Note: Please note that the Home Connect functions can only be utilized with the Home Connect app. Information on data protection can be called up in the Home Connect app.

Refrigerator compartment

The refrigerator compartment is suitable for storing dairy products, eggs, cooked meals, pastries, preserves once opened, and hard cheese.

The temperature can be set to anywhere between 36°F and 43°F (+2°C and +6°C).

The refrigerator compartment can also be used to store highly perishable groceries in the short to medium term. A temperature of +39°F (+4°C) or lower ensures optimum freshness and hygiene of the stored groceries.

Note when storing food

- Store fresh, undamaged food. The quality and freshness will then be retained for longer.
- In the case of convenience products and bottled goods, do not exceed the minimum sell-by date or use-by date specified by the manufacturer.
- To retain aroma, color and freshness, pack or cover food well before placing it into the appliance. This will prevent flavors being transferred between foods and the plastic parts from becoming discolored.
- Leave warm food and drinks to cool down before placing them into the refrigerator compartment.

Note the chill zones in the refrigerator compartment

The air circulation in the refrigerator compartment creates different chill zones.

Coldest zone

The coldest zone is on the partition and in the storage area for large bottles.

Warmest zone

The warmest zone is at the very top of the door.

Notes

- Store items such as hard cheese and butter in the warmest zone. Cheese can then continue to release its flavor, and butter will remain spreadable.
- Store delicate foods such as fish, sausages, and meat in the cool-fresh compartment. → "Cool-fresh compartment" on page 18

Cool-fresh compartment

The temperature in the cool-fresh compartment is kept at around 32°F (0°C).

The low temperature and the optimum moisture provide ideal storage conditions for fresh food.

With cool-fresh storage, you can keep fresh foodstuffs fresh for up to three times longer than in the refrigerator compartment – for even longer freshness and nutrient retention, and improved flavor.

Vegetable container

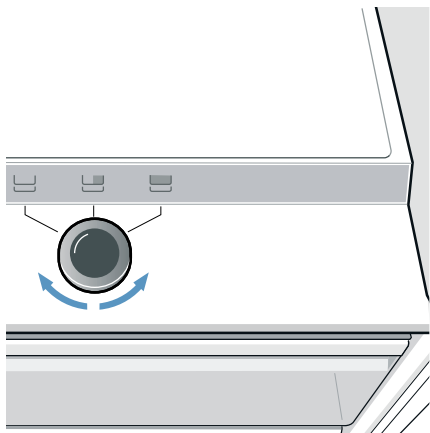
The vegetable container is the optimum storage location for fresh fruit and vegetables. You can adjust the humidity in the vegetable container via the division plate's humidity controller and a special seal.

The humidity in the vegetable container can be set according to the type and quantity of products to be stored:

- Mainly fruit as well as for a large load – set lower air humidity
- Mainly vegetables as well as for a mixed or small load – set higher air humidity

Notes

- Fruit sensitive to cold (e.g. pineapple, banana, papaya and citrus fruit) and vegetables sensitive to cold (e.g. eggplant, cucumbers, zucchini, peppers, tomatoes and potatoes) should be stored outside of the appliance at temperatures of approx. +46°F ... +54°F (+8°C ... +12°C) for optimum preservation of quality and aroma.
- Condensation may form in the vegetable container depending on the type and quantity of products stored. Remove condensation with a dry cloth and adjust air humidity in the vegetable container with the humidity controller.



Cool-fresh bin

The storage climate in the cool-fresh container offers ideal conditions for the storage of fish, meat and sausage.

Storage times at 32 °F (0 °C)

Storage times are dependent on the original quality.

Fresh fish, seafood:	up to 3 days
Poultry, meat (cooked/fried):	up to 5 days
Beef, pork, lamb, sausage (cold meat):	up to 7 days
Smoked fish, broccoli:	up to 14 days
Salad greens, fennel, apricots, plums:	up to 21 days
Soft cheese, yoghurt, curd, buttermilk, cauliflower:	up to 30 days

Freezer compartment

The freezer compartment is suitable for:

- storing frozen food
- making ice cubes
- freezing food

The temperature can be set to anywhere between +5°F and –8°F (–15°C and –22°C).

The freezer compartment can be used to store perishable foods long-term almost without any noticeable reduction in quality, as the low temperatures considerably slow down or stop deterioration. Appearance, flavor and all valuable ingredients are largely retained.

Long-term storage of food should be at 0°F (–18°C) or lower.

The time between putting fresh food in the freezer compartment and it freezing solid depends on the following factors:

- temperature that has been set
- type of food
- amount of food in the freezer compartment
- quantity and type of storage

Fully utilizing the freezer volume

To place the maximum quantity of frozen food in the freezer compartment:

- Remove all fittings.
- Store food directly on the shelves and on the floor of the freezer compartment.

Purchasing frozen food

- Ensure the packaging is not damaged.
- Check there is a sell-by date.
- The temperature in the supermarket freezer must be 0 °F (-18 °C) or lower.
- Do not interrupt the freezing chain. If possible, transport frozen food in a cool bag and place in the freezer compartment quickly.

When loading products

- Freeze large quantities of food in the top compartment.
This is where it will freeze especially quickly and gently.
- Distribute food in the compartments or frozen food containers.
- Do not bring food which is to be frozen into contact with frozen food.
If required, restack frozen food in the frozen food containers.
- Important for unrestricted air circulation in the appliance:
push in frozen food containers up to the limit stop.

Freezing fresh food

Freeze only fresh and undamaged food.

Food which is boiled, fried or baked is more suitable for freezing than food which is eaten raw.

Before freezing food, make preparations appropriate to the food in order to retain the best possible nutritional value, flavor and color:

- Vegetables: wash, chop, blanch.
- Fruit: wash, pit and perhaps peel, possibly add sugar or ascorbic acid solution.

Information on how to do this can be found in relevant literature.

Suitable for freezing

- Baked goods
- Fish and seafood
- Meat
- Poultry and game
- Vegetables, fruit and herbs
- Eggs without shells
- Dairy products, e.g. cheese, butter and quark
- Ready meals and leftovers, e.g. soups, stews, cooked meat and fish, potato dishes, soufflés and desserts

Not suitable for freezing

- Types of vegetables which are usually eaten raw, e.g. lettuce or radishes
- Unpeeled or hard-boiled eggs
- Grapes
- Whole apples, pears and peaches
- Yoghurt, soured milk, sour cream, creme fraiche and mayonnaise

Packing frozen food

The correct type of packaging and material selection are decisive factors in the retention of the product quality and prevent the development of freezer burn.

1. Place food in packaging.
2. Remove air.
3. Pack food airtight to prevent it from losing flavor or drying out.
4. Label packaging with contents and date of freezing.

Suitable packaging:

- Plastic foil
- Tubular foil made of polyethylene (PE)
- Aluminum foil
- Freezer containers

Suitable closures:

- Rubber bands
- Plastic clips
- Cold-resistant adhesive tape

Unsuitable packaging:

- Wrapping paper
- Greaseproof paper
- Cellophane
- Garbage bags and used grocery bags

Shelf life of frozen food at 0 °F (-18 °C)

Fish, sausage, ready meals, and cakes and pastries:	up to 6 months
Meat, poultry:	up to 8 months
Vegetables, fruit:	up to 12 months

Freezer calendar

The imprinted freezer calendar indicates the maximum storage duration in months at a constant temperature of 0°F (-18°C).

Thawing frozen food

The thawing method must be adjusted to the food and application in order to retain the best possible product quality.

Thawing methods:

- in the refrigerator compartment (especially suitable for animal-based foods such as fish, meat, cheese, quark)
- at room temperature (bread)
- in the microwave (food for immediate consumption or immediate preparation)
- in the oven/cooker (food for immediate consumption or immediate preparation)

CAUTION

Do not refreeze partly or completely thawed food. You can only refreeze food once it has been cooked (boiled or fried).

The frozen food can no longer be stored for the maximum duration.

Defrosting

Cooling compartment

The defrost process is performed automatically.

Freezer compartment

The fully automatic NoFrost system ensures that the freezer compartment remains frost-free. Defrosting is no longer required.

Cleaning

CAUTION

AVOID DAMAGING THE APPLIANCE AND THE EQUIPMENT.

- Do not use abrasive, chloride-based or acidic cleaning agents or solvents.
 - Do not use scouring or abrasive sponges. The metallic surfaces may corrode.
 - Never clean the shelves or bins in the dishwasher. The parts may become deformed.
-

Proceed as follows:

1. Switch off the appliance.
2. Pull out mains plug or switch off fuse.
3. Take out food and store in a cool location. Place ice pack (if available) on the food.
4. If there is a layer of frost, wait until it has thawed.
5. Clean the appliance with a soft cloth, lukewarm water and a little pH-neutral washing-up liquid.

CAUTION

The rinsing water must not get into the light or run through the drainage hole into the evaporation area.

6. Wipe door seal with clear water and dry thoroughly with a cloth.
7. Reconnect and switch on appliance and put food back inside.

Cleaning the fittings

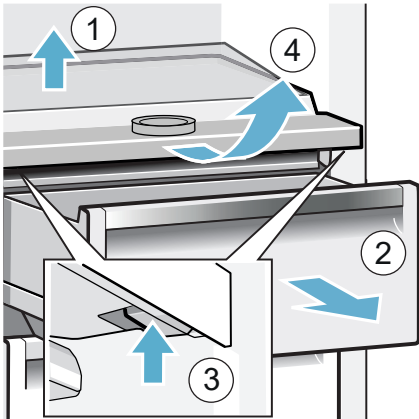
To clean, take the variable parts out of the appliance.

→ "Equipment" on page 11

Partition and vegetable container cover

Taking out the partition

- Remove glass plate, press levers on the underside on both sides, pull partition forwards, lift, and swivel out to the side.

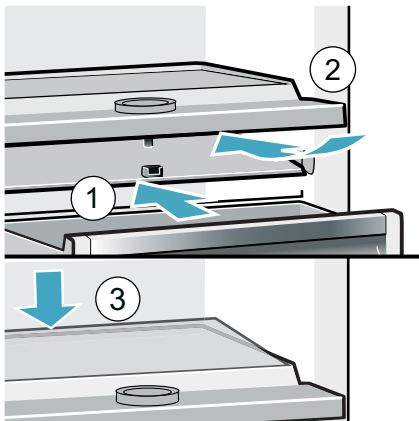


Taking out the vegetable container cover

- Lift cover, pull forward, and swivel out to the side.

Inserting vegetable container cover and partition

- Insert vegetable container cover.
- Insert partition.
- Insert glass plate.



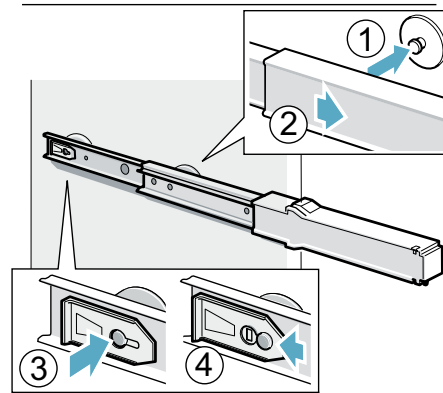
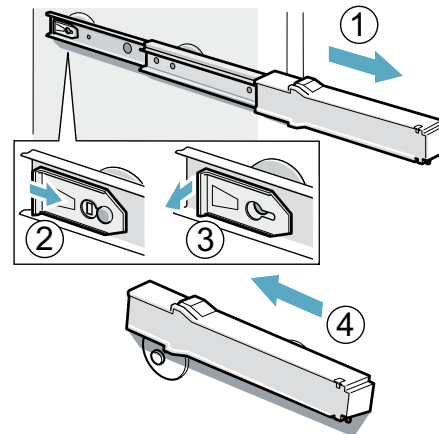
Telescopic rails

Removing telescopic rails

- Pull out telescopic rail.
- Push lock in the direction of the arrow.
- Detach telescopic rail from the rear pin.
- Push telescopic rail together, push backwards above the rear pin, and disengage.

Installing telescopic rails

- Place the extended telescopic rail on the front pin.
- Pull the telescopic rail forwards slightly until it engages.
- Insert telescopic rail on the rear pin.
- Push lock backwards.



Odors

If you notice any unpleasant odors:

1. Switch off the appliance with the on/off ① button.
2. Take all food out of the appliance.
3. Clean the inside. → "Cleaning" on page 20
4. Clean all packaging.
5. Seal strong-smelling food in order to prevent odors from forming.
6. Switch the appliance on again.
7. Arrange food in the appliance.
8. After 24 hours, check whether odors are building up again.

Lighting

Your appliance features a maintenance-free LED light.

Only customer service or authorized technicians may repair the light.

Noises

Normal noises

Droning: A motor is running, e.g. refrigerating unit, ventilator.

Bubbling, buzzing or gurgling: Refrigerant is flowing through the tubes.

Clicking: Motor, switches or solenoid valves are switching on or off.

Cracking: Automatic defrosting is running.

Preventing noises

Appliance is not level: Align appliance using a water level. If required, place a little packing underneath.

Bins, shelves or storage compartments wobble or stick: Check the removable fittings and re-insert if required.

Bottles or receptacles are touching each other: Move bottles or receptacles away from each other.

Faults – what to do?

Before you call customer service, use this table to check whether you can rectify the fault yourself.

Temperature differs greatly from the set value.

Switch off appliance for 5 minutes.
 → "Switching off and disconnecting the appliance" on page 13
 If the temperature is too warm, check temperature again after a couple of hours.
 If the temperature is too cold, check temperature again on the following day.

Displays do not light up.

The power plug has not been inserted properly.	Connect the power plug.
The fuse has tripped.	Check the fuses.
The power has failed.	Check whether the power is on.

Display indicates E....

The electronics have detected an error.	Please contact customer service. → "Customer service" on page 24
---	---

A warning signal sounds and the alarm button is lit.

	Press alarm button. Alarm is switched off.
Appliance door is open.	Close the appliance door.
Ventilation openings have been covered.	Clear the ventilation openings.
Large quantities of fresh food have been placed inside the appliance.	Do not exceed maximum freezing capacity.

Display flashes, warning signal sounds and alarm button is lit.

	Press alarm button. Alarm is switched off.
Appliance door is open.	Close the appliance door.
Ventilation openings have been covered.	Clear the ventilation openings.
Large quantities of fresh food have been placed inside the appliance.	Do not exceed maximum freezing capacity.

Display flashes.

The temperature in the freezer compartment was too warm.	After the alarm button is pressed, the warmest temperature reached in the freezer compartment is displayed for 5 seconds. Press alarm button. The display stops flashing.
--	---

Appliance is not cooling, display and lighting are lit.

Showroom mode switched on.	Start the appliance self-test. → "Appliance self-test" on page 24 When the program has ended, the appliance switches over to normal operation.
----------------------------	--

It is too warm or too cold in the cool-fresh compartment.

The standard setting has been set too high or low (e.g. there is frost in the cool-fresh compartment).	You can set the temperature in the cool-fresh compartment to anywhere between +37°F and +27°F (+3°C and -3°C). The temperature in the cool-fresh compartment is set to +32°F (0°C) by default. <ol style="list-style-type: none"> 1. Press and hold super refrigerator compartment button until the refrigerator compartment temperature display flashes. 2. Press </> refrigerator compartment button to change the setting. The set temperature is saved after one minute.
--	---



Customer services

If required, we recommend that you have the door hinges changed over by our customer services. You can find out the costs for changing over the door hinges from your responsible customer services team.

Before you call customer services, please check whether you can correct the fault yourself.

After checking in accordance with the section additional help can be requested by calling the Bosch Customer Support Center, 1-800-944-2904 (toll-free), from anywhere in the United States.

In Canada contact your Bosch customer services team or call 1-800-944-2904.

Write down the following information about your appliance so that you have it ready and can get better assistance if you require support from customer services.

Dealer's name:	
Address:	
Telephone number:	
Purchase date:	
Model number:	
FD number:	
Serial number	
Type	

Appliance self-test

Your appliance features a self-test program which displays the fault your customer service can rectify.






1. Switch off the appliance and wait 5 minutes.
2. Switch the appliance on.
3. Within the first 10 seconds press and hold freezer compartment **super** button for 3 ... 5 seconds until an audible signal sounds.
The self-test program starts. While the self-test is running, a long audible signal sounds in the meantime.
 - If 2 audible signals sound after the end of the self-test and the set temperature is displayed, your appliance is OK.
 - If at the end of the self-test 5 audible signals sound and the freezer compartment **super** button flashes for 10 seconds, inform customer service.

When the program has ended, the appliance switches over to normal operation.

Warranty statement

Please see the enclosed statement of limited product warranty for detailed information on warranty coverage.

fr Table des matières

 Consignes de sécurité importantes	26	 Home Connect	39
Définitions	26	Configurer Home Connect	39
À propos de cette notice	26	Installer une mise à jour du logiciel	
Introduction	26	Home Connect	41
Restrictions au cercle d'utilisateurs	26	Remarque sur la protection des données	41
Risque d'explosion	26	 Compartment réfrigérateur	42
Risque d'électrocution	26	Consignes de rangement	42
Risque d'engelures provoquées par le froid	27	Tenez compte des différentes zones froides	
Risque de blessure	27	dans le compartiment réfrigérateur	42
Risque d'incendie/risques dus au fluide		 Compartment fraîcheur	42
frigorigène	27	Bac à légumes	43
Risque d'incendie	27	Bac fraîcheur	43
Risque d'asphyxie	27	Durées de stockage à 32 °F (0 °C)	43
Dégâts matériels	27	 Compartment congélateur	43
Poids	27	Utiliser l'intégralité du volume de congélation	43
Avertissements de la Proposition 65 de l'État		Achats de produits surgelés	44
de la Californie	28	Consignes de rangement	44
 Utilisation conforme	28	Congeler des produits frais	44
 Protection de l'environnement	28	Décongélation des produits	45
Emballage	28	 Dégivrer l'appareil	45
Appareil usagé	28	Compartiment réfrigérateur	45
 Installation et branchement	28	Compartiment congélateur	45
Contenu de livraison	28	 Nettoyage	46
Données techniques	29	Nettoyer l'équipement	46
Installer l'appareil	29	 Odeurs	47
Cotes d'installation	29	 Éclairage	47
Préparer les portes de meuble	30	 Bruits	47
Dimensions de niche	30	Bruits normaux	47
Installation côte à côte	30	Prévenir les bruits	47
Économiser de l'énergie	31	 Que faire en de problème	48
Avant la première utilisation	32	 Service à la clientèle	49
Connexion électrique	32	Autodiagnostic de l'appareil	49
 Présentation de l'appareil	33	Déclaration de garantie	49
Appareil	33	 Utiliser l'appareil	36
Éléments de commande	34	Allumez l'appareil	36
Équipement	35	Arrêter et remiser l'appareil	37
 Utiliser l'appareil	36	Régler l'unité de température	37
Allumez l'appareil	36	Régler la température	37
Arrêter et remiser l'appareil	37	Super-réfrigération	37
Régler l'unité de température	37	Supercongélation	37
Régler la température	37	Mode Vacances	38
Super-réfrigération	37	 Alarme	38
Supercongélation	37	Alarme de porte	38
Mode Vacances	38	Alarme de température	38

Consignes de sécurité importantes

VEUILLEZ LIRE ET CONSERVER CES CONSIGNES!

Définitions

AVERTISSEMENT

Cet avertissement indique un risque pouvant avoir des conséquences graves, voire mortelles.

ATTENTION

Cet avertissement indique un risque pouvant avoir des conséquences mineures, voire modérées.

AVIS : Cette mise en garde indique un risque de dommage à l'appareil.

Remarque : Ce symbole sert à identifier des renseignements importants ou des conseils.

À propos de cette notice

- Veuillez lire et respecter le contenu de cette notice d'utilisation et de montage. Elle contient des remarques importantes concernant l'installation, l'utilisation et l'entretien de l'appareil.
- Le fabricant décline toute responsabilité si vous ne tenez pas compte des remarques et avertissements figurant dans la notice de montage et celle d'utilisation.
- Veuillez conserver tous ces documents en vue d'une réutilisation ultérieure ou pour le cas où l'appareil changerait de propriétaire.

Introduction

- Cet appareil est conforme aux dispositions de sécurité applicables aux appareils électriques.
- Le circuit frigorifique a subi un contrôle d'étanchéité.

Restrictions au cercle d'utilisateurs

- Cet appareil ne convient pas aux personnes (et enfants) avec un handicap physique sensoriel ou mental ou dont l'expérience et les connaissances sont insuffisantes, sauf sous la supervision d'une personne responsable de sa sécurité ou lui ayant transmis les instructions d'utilisation de l'appareil.
- Les enfants doivent être surveillés afin d'éviter qu'ils ne jouent avec l'appareil.

Risque d'explosion

- N'utilisez pas d'appareils électriques à l'intérieur de l'appareil (par ex. appareils de chauffage, machine à glaçons).
- Ne stockez dans l'appareil aucun produit contenant des gaz propulseurs combustibles (bombes aérosols par exemple) et aucune substance explosive.
- Ne conservez les bouteilles de boissons fortement alcoolisées qu'hermétiquement fermées et debout.
- Hormis les instructions du fabricant, ne prenez aucune mesure visant à accélérer le dégivrage de l'appareil.

Risque d'électrocution

Toute installation ou réparation incorrecte peut engendrer des risques considérables pour l'utilisateur.

- Veuillez à ne pas coincer ou endommager le câble d'alimentation en posant l'appareil.
- Dans une optique préventive, débranchez l'appareil dès que le câble d'alimentation est endommagé. Faites remplacer le câble secteur par le fabricant, le service à la clientèle ou une personne présentant une qualification équivalente.
- N'utilisez pas de rallonge, de bloc multiprise ou d'adaptateur.

Consignes de sécurité importantes

VEUILLEZ LIRE ET CONSERVER CES CONSIGNES!

- Débranchez la fiche de contact ou ramenez le disjoncteur en position éteinte avant d'effectuer l'entretien ou les opérations de montage autorisées sur l'appareil.
Avant de nettoyer l'appareil, actionnez la touche ① pour l'éteindre.
Les clayettes en verre et autres équipements peuvent être déplacés sans danger pendant que l'appareil est en marche.
- Ne retirez ni sectionnez jamais le troisième conducteur (conducteur de mise à la terre) du cordon d'alimentation.
- Ne décongelez et ne nettoyez jamais l'appareil avec un nettoyeur à vapeur. La vapeur risque d'atteindre des pièces électriques et de provoquer un court-circuit.
- Ne confiez la réparation ou le remplacement de l'appareil, du cordon et des accessoires qu'au fabricant ou à un technicien autorisé.
- N'utilisez que des pièces de rechange d'origine venant du fabricant.
Le fabricant garantit que ces pièces d'origine remplissent les exigences de sécurité.

Risque d'engelures provoquées par le froid

- Ne portez jamais des produits surgelés à la bouche immédiatement après les avoir sortis du compartiment congélateur.
- Évitez tout contact prolongé de la peau avec le produit congelé, la glace et les tubulures présents dans le compartiment congélateur.

Risque de blessure

Les récipients contenant des boissons gazeuses risquent d'éclater.
Ne rangez jamais de boissons gazeuses dans le compartiment congélateur.



Risque d'incendie/risques dus au fluide frigorigène

Dans les tubulures du circuit frigorifique circule une petite quantité de R600a, un fluide frigorigène écologique mais combustible. Il n'abîme pas la couche d'ozone et n'accroît pas l'effet de serre. Le fluide frigorigène risque en fuyant de blesser les yeux ou de s'enflammer.

- Ne pas endommager les tubulures.
- Si les tubulures ont été endommagées :
- Eloignez l'appareil de toute flamme nue ou source d'inflammation.
 - Aérez la pièce.
 - Éteignez l'appareil puis débranchez la fiche de contact de la prise de courant.
 - Appelez le service à la clientèle.



Risque d'incendie

Les blocs multiprises ou blocs secteur portables peuvent surchauffer et provoquer un incendie.
N'utilisez pas de blocs multiprises ni de blocs secteur portables derrière l'appareil.

Risque d'asphyxie

- Appareils équipés d'une serrure : rangez la clé hors de portée des enfants.
- Ne confiez jamais l'emballage et ses pièces constitutives aux enfants.

Dégâts matériels

Pour éviter des dégâts matériels :

- Ne vous servez jamais du socle, des glissières ou des portes comme marchepieds et ne vous appuyez jamais dessus.
- Veillez à ce que les pièces en matière plastique et les joints de porte soient exempts d'huile et de graisse.
- Pour débrancher, ne saisissez que la fiche mâle, pas le cordon de branchement.

Poids

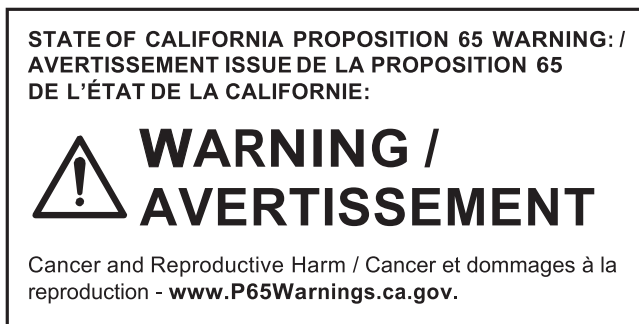
L'appareil est très lourd. Il faut être au moins 2 deux personnes pour installer et

transporter l'appareil.

→ "Installation et branchement"
à la page 28

Avertissements de la Proposition 65 de l'État de la Californie

Ce produit pourrait contenir un produit chimique reconnu par l'État de la Californie comme cancérigène ou ayant des effets nocifs sur la reproduction. Par conséquent, l'emballage de votre produit pourrait porter l'étiquette suivante, comme requis par la Californie :



Utilisation conforme

Utilisez cet appareil

- uniquement pour réfrigérer et congeler des produits alimentaires et pour préparer de la glace.
- Uniquement dans un foyer et dans l'environnement domestique.
- Uniquement en conformité avec la présente notice d'utilisation.

Cet appareil est conçu pour une utilisation jusqu'à une altitude maximale de 2000 m.

Protection de l'environnement

Emballage

Tous les matériaux sont non polluants et recyclables :

- Éliminez l'emballage dans le respect de l'environnement.
- Veuillez vous informer sur les modes d'élimination des déchets auprès de votre revendeur ou de l'administration publique.

Appareil usagé

L'élimination dans le respect de l'environnement permet de récupérer de précieuses matières premières.

AVERTISSEMENT

LES ENFANTS RISQUE DE S'ENFERMER
DANS L'APPAREIL ET DE S'ASPHYXIER. !

Avant d'envoyer l'appareil au recyclage :

- Démontez la porte.
- Pour dissuader les enfants de grimper dans l'appareil, ne retirez pas les clayettes et les bacs !
- Éloignez les enfants de l'appareil qui a cessé de servir.

ATTENTION

LE FLUIDE FRIGORIGÈNE ET DES GAZ
NOCIFS PEUVENT SE DÉGAGER.

Veillez à ne pas endommager les tubulures du circuit frigorifique, ni l'isolant.

1. Débranchez la fiche de contact de la prise de courant.
2. Coupez le câble de raccordement secteur.
3. Acheminez l'appareil au service d'élimination approprié.

Installation et branchement

Contenu de livraison

Après avoir déballé le produit, inspectez toutes les pièces pour détecter d'éventuels dégâts dus au transport.

En cas de réclamation, veuillez vous adresser au revendeur auprès duquel vous avez acquis l'appareil ou auprès de notre service à la clientèle.

→ "Service à la clientèle" à la page 49

La livraison comprend les pièces suivantes :

- Appareil encastrable
- Équipement (selon le modèle)
- Matériel de montage
- Mode d'emploi
- Notice de montage
- Carnet de service à la clientèle
- Déclaration sur la garantie de produit limitée
- Pièce annexe de la garantie
- Informations relatives à la consommation d'énergie et aux bruits

Données techniques

La plaque signalétique mentionne le fluide frigorigène, le volume utile ainsi que d'autres renseignements.

→ "Présentation de l'appareil" à la page 33

Installer l'appareil

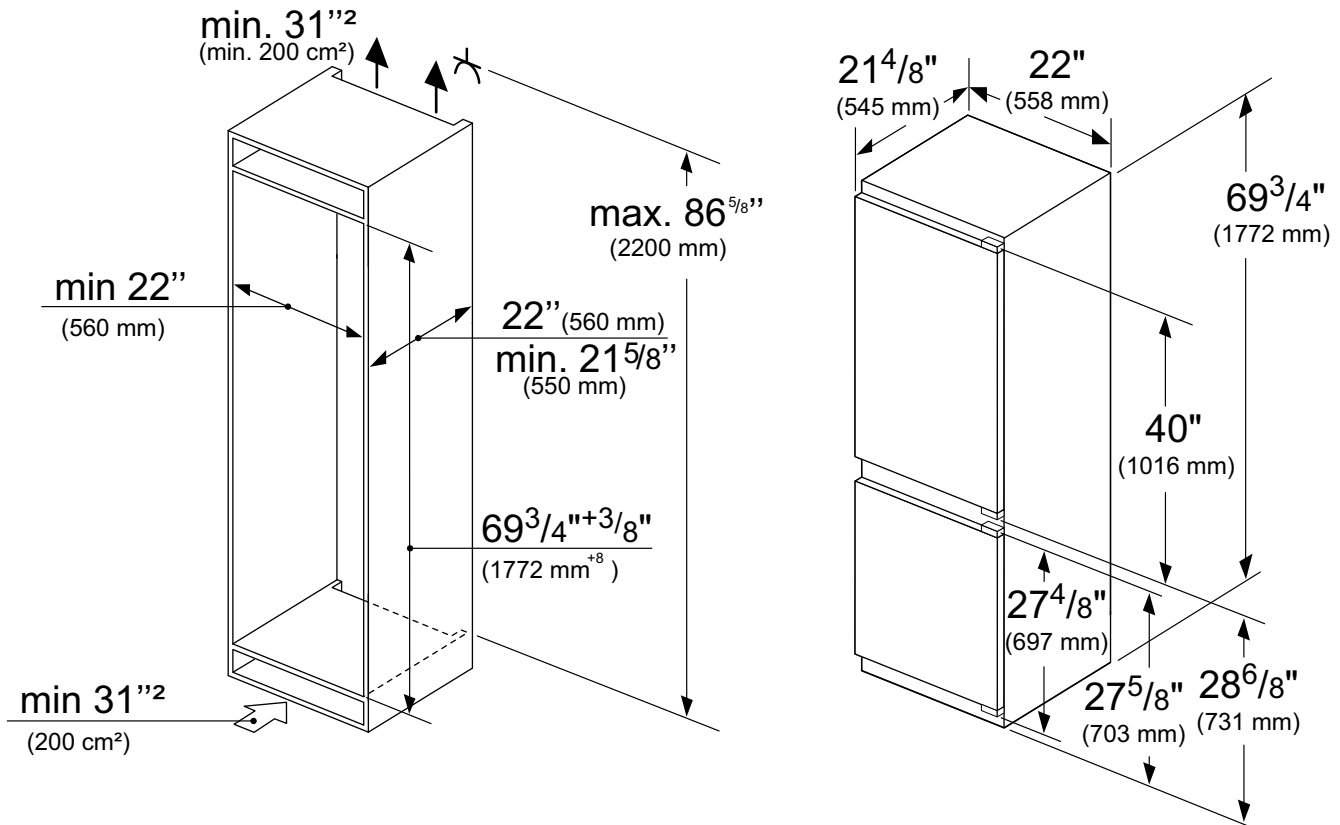
Lieu d'installation

Plus l'appareil contient de fluide frigorigène, plus la pièce dans laquelle il est installé doit être grande. Dans des locaux trop petits, un mélange inflammable de gaz et d'air risque de se former en cas de fuite.

Comptez 36 pieds³ (1 m³) de volume minimum de la pièce pour 8 g de fluide frigorigène. La quantité de fluide présente dans l'appareil est indiquée sur la plaque signalétique située à l'intérieur de ce dernier.
→ "Présentation de l'appareil" à la page 33

Selon le modèle, le poids de l'appareil peut atteindre 166 lbs (75 kg).

Cotes d'installation

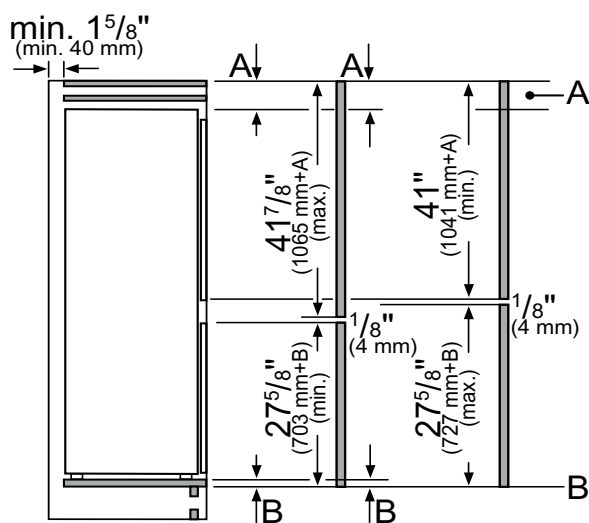


Préparer les portes de meuble

Remarque : En cas de travaux sur les portes de meuble, vous devez toujours respecter les conditions suivantes :

- Choisissez une épaisseur de porte de meuble comprise entre au moins 5/8 po (16 mm) et 3/4 po (19 mm).
- Choisissez une longueur de vis toujours inférieure à l'épaisseur de la porte de meuble.
- Vissez toujours dans la partie la plus résistante aux charges de la porte de meuble.
- Ne vissez pas dans les remplissages ou parties similaires.
- Ne vissez pas dans le filtre, les bandes décoratives ou parties similaires.
- Protégez les surfaces de la porte de meuble pendant l'installation, afin de ne pas les endommager.

Dimensions de la porte de meuble



Légende

A	Dépassement de la porte de meuble
B	Arête inférieure de la porte de meuble

Les dimensions de la porte de meuble indiquées sont valables pour un joint de porte de 5/32 po (4 mm).

Dimensions de niche

Profondeur de niche

Une profondeur de niche de 22³/₆₄ po (56 cm) est recommandée pour cet appareil. Si la niche est moins profonde (profondeur minimale de 21²¹/₃₂ po, soit 55 cm), la consommation d'énergie augmentera légèrement.

Largeur de niche

Une largeur intérieure de la niche d'au moins 22³/₆₄ po (56 cm) est nécessaire pour cet appareil. Tout écart risque d'engendrer des problèmes lors de l'installation de l'appareil.


Installation côte à côte

Une installation côte-à-côte des appareils nécessite un écartement d'au moins 5,9 po (15 cm).

Économiser de l'énergie

Si vous respectez les instructions suivantes, votre appareil consommera moins de courant.

Remarque : L'agencement des pièces d'équipement n'a aucune influence sur la consommation d'énergie de l'appareil.

Installer l'appareil	
Mettez l'appareil à l'abri des rayons du soleil.	En présence de températures ambiantes assez basses, l'appareil doit réfrigérer moins souvent et il consomme donc moins de courant.
Installez l'appareil à la plus grande distance possible d'un radiateur, d'une cuisinière et d'autres sources de chaleur : 1 1/4 po (3 cm) des cuisinières électriques ou à gaz. 1 1 13/16 po (30 cm) d'un appareil de chauffage à l'huile ou au charbon.	
Choisissez un lieu d'installation où règne une température ambiante d'environ 68 °F (20 °C).	
Veillez à avoir une profondeur de cavité de 22 3/64 po (56 cm).	
 ATTENTION Risque de brûlure! Certaines pièces de l'appareil deviennent très chaudes en service. Toucher ces pièces peut provoquer des brûlures.	L'air au contact de la paroi arrière de l'appareil ne s'échauffe pas aussi fortement. L'appareil consomme moins de courant si l'air chaud peut s'échapper.
Ne recouvrez et ne bouchez pas les orifices d'aération.	
Aérez quotidiennement la pièce.	
Utilisation de l'appareil	
N'ouvrez la porte de l'appareil que brièvement.	L'air dans l'appareil ne se réchauffe pas aussi fortement. L'appareil doit réfrigérer plus rarement et consomme de la sorte moins d'électricité.
Transportez les produits alimentaires achetés dans un sac isotherme et rangez-les rapidement dans l'appareil.	
Attendez que les plats chauds aient refroidi avant de les ranger dans l'appareil.	
Pour décongeler les produits congelés, rangez-les dans le compartiment réfrigérateur pour profiter du froid des produits congelés.	L'air peut circuler de cette manière et l'humidité de l'air demeure constante. L'appareil doit réfrigérer plus rarement et consomme de la sorte moins d'électricité.
Laissez toujours un peu de place entre les produits alimentaires et la paroi arrière.	
Emballez hermétiquement les produits alimentaires.	
Ne recouvrez et ne bouchez pas les orifices d'aération.	L'air au contact de la paroi arrière de l'appareil ne s'échauffe pas aussi fortement. L'appareil consomme moins de courant si l'air chaud peut s'échapper.
Refermez soigneusement la porte du compartiment congélateur.	Le compartiment congélateur se couvrirait de givre. L'appareil doit fournir plus de puissance et la consommation de courant augmente.

Avant la première utilisation

1. Retirez la documentation informative, les rubans adhésifs et la feuille protectrice.
2. Nettoyez l'appareil.
→ "Nettoyage" à la page 46

Connexion électrique

ATTENTION

Ne raccordez pas l'appareil à une fiche électronique d'économie d'énergie.

Remarque : Vous pouvez raccorder l'appareil à des onduleurs pilotés par le réseau et pilotés en onde sinusoïdale.

Les onduleurs pilotés par le réseau s'utilisent sur les installations photovoltaïques directement raccordées au réseau public d'électricité. Dans les solutions en îlot, vous devrez utiliser des onduleurs pilotés en onde sinusoïdale. Les solutions en îlot, par exemple sur les bateaux ou les refuges de montage, n'ont pas de raccordement direct au réseau public d'électricité.

1. Après l'installation de l'appareil, attendez au moins 1 heure avant de le raccorder afin d'éviter d'endommager le compresseur.
2. Assurez-vous que la prise murale est correctement installée et satisfait aux critères.

Critères pour la prise murale

Prise de	110 V ... 120 V
Fil de terre	60 Hz
Fusible	10 A ... 16 A

Charge maximale simultanée

Appareil	6 A
----------	-----

3. Raccordez l'appareil à une prise à proximité. Cette prise doit rester accessible même une fois l'appareil installé.

AVERTISSEMENT

RISQUE D'ÉLECTROCUTION !

N'utilisez pas de rallonge, de bloc multiprise ou d'adaptateur.

L'appareil doit être correctement mis à la terre.

Ne retirez ni sectionnez jamais le troisième conducteur (conducteur de mise à la terre) du cordon d'alimentation.

AVERTISSEMENT

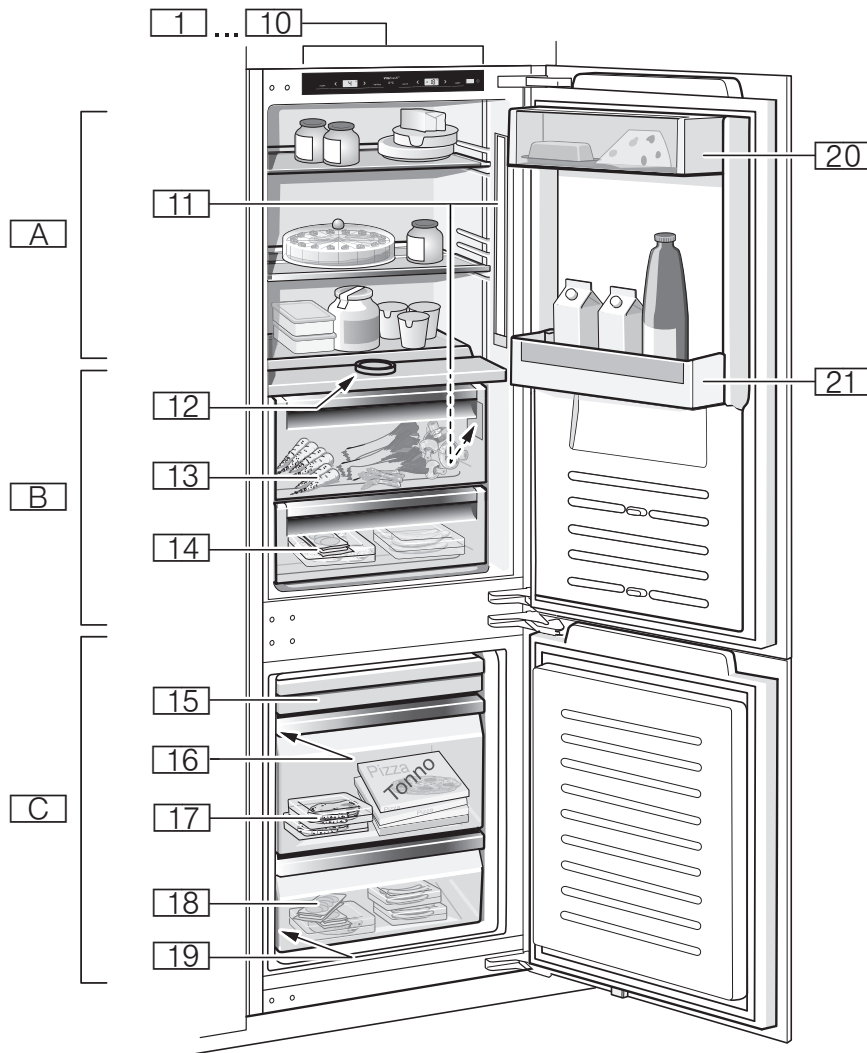
RISQUE D'ÉLECTROCUTION !

Si la longueur du cordon d'alimentation est insuffisante, abstenez-vous à tout prix d'utiliser une rallonge ou un bloc multiprise. Contactez plutôt le service à la clientèle pour des solutions de rechange.

Présentation de l'appareil

La présente notice d'utilisation vaut pour plusieurs modèles. Selon le modèle, l'appareil peut différer du contenu des illustrations.

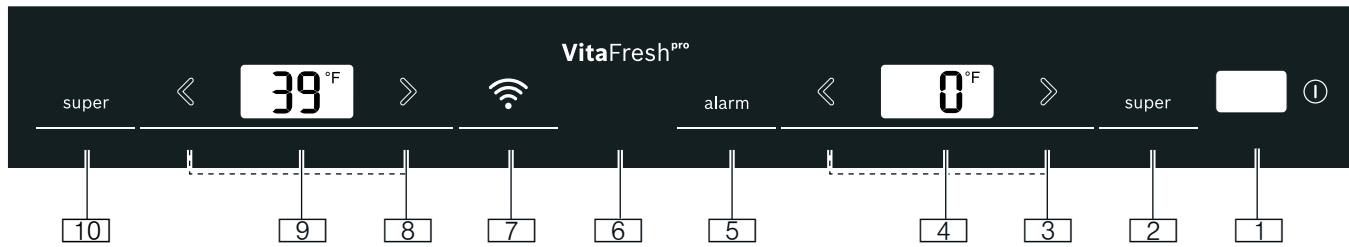
Appareil




* Selon le modèle.

- A** Compartiment réfrigérateur
- B** Compartiment fraîcheur
- C** Compartiment congélateur
- 1...10** Éléments de commande
- 11** Éclairage
- 12** Cloison séparatrice avec régulateur d'humidité
- 13** Bac à légumes
- 14** Bac fraîcheur
- 15*** Tiroir à produits congelés (plat)
- 16*** Tiroir de congélation
- 17** Bac à produits congelés (grand)
- 18** Bac à produits congelés (petit)
- 19** Plaque signalétique
- 20** Compartiment à beurre et à fromage
- 21** Clayette pour grandes bouteilles

Éléments de commande



- 1 Touche ①
Allume ou éteint l'appareil.
- 2 Touche **super** compartiment congélateur
Allume ou éteint la supercongélation.
- 3 Touche </> compartiment congélateur
Règle la température du compartiment congélateur.
- 4 Affichage de la température dans le compartiment congélateur
Affiche la température réglée en °F/°C.
- 5 Touche **alarm**
Éteint l'alarme sonore.
- 6 **VitaFresh pro**
Le témoin s'allume lorsque l'appareil est en service.
- 7 Touche 
Active ou désactive Home Connect.
- 8 Touche </> compartiment réfrigérateur
Règle la température du compartiment réfrigérateur.
- 9 Affichage de la température du compartiment réfrigération
Affiche la température réglée en °F/°C.
- 10 Touche **super** compartiment réfrigérateur
Allume ou éteint la super-réfrigération.

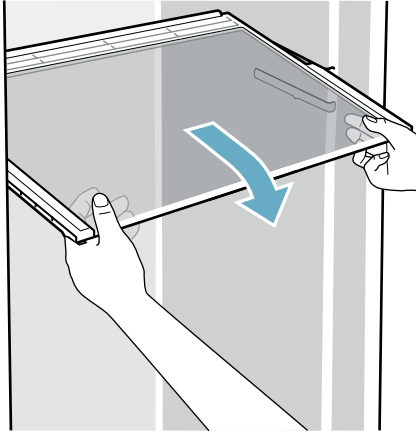
Équipement

(selon le modèle)

Clayette

Vous pouvez varier la position des clayettes :

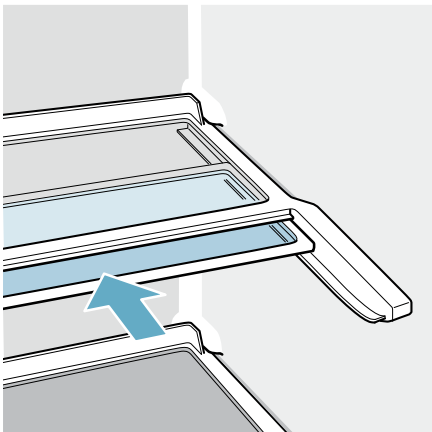
- Tirez la clayette vers vous et sortez-la.



Clayette Vario

Vous pouvez ranger des produits à réfrigérer de grande taille (par exemple verseuses ou bouteilles) :

- Retirez la partie avant de la clayette et poussez-la sous la partie arrière.



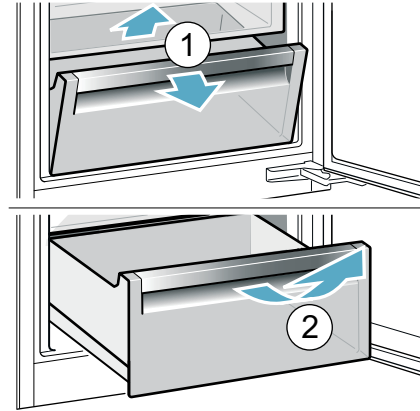
Bac à légumes

Vous pouvez retirer le bac :

- soulevez-le par l'arrière et sortez-le.

Vous pouvez insérer le bac :

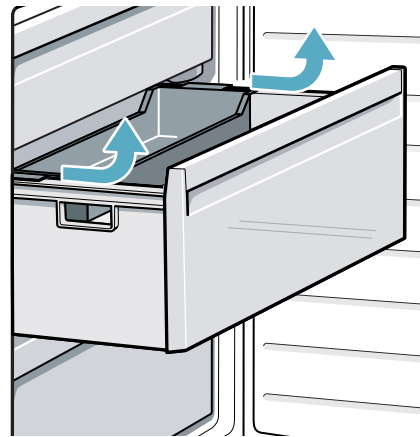
- Posez le bac sur les rails de sortie et poussez-le dans l'appareil.



Tiroir de congélation

Vous pouvez retirer le bac :

1. Tirez le tiroir jusqu'en butée.
2. Soulevez le bac et sortez-le.



Bac à produits congelés

Vous pouvez retirer le bac :

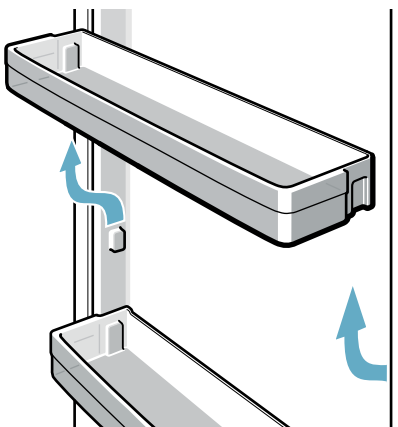
- Tirez le bac vers vous jusqu'à la butée, soulevez-le par l'avant puis retirez-le.



Support

Vous pouvez retirer la clayette :

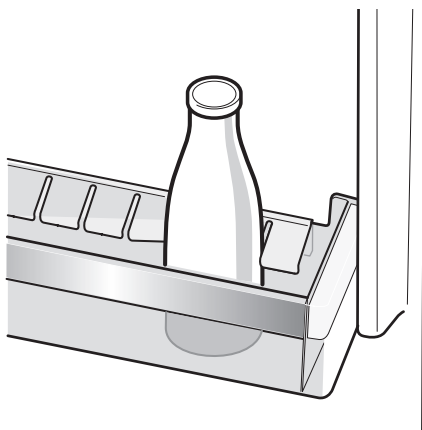
- Soulevez la clayette et retirez-la.



Porte-bouteilles

Lorsque vous ouvrez et fermez la porte :

- Le porte-bouteille empêche les bouteilles de se renverser.



Bac à glaçons

Vous pouvez préparer des glaçons :

1. Remplissez le bac à glaçons aux 3/4 avec de l'eau, puis placez-le dans le compartiment congélateur.

Remarque : Si le bac reste collé dans le congélateur, ne le décollez qu'avec un instrument émoussé (un manche de cuiller par ex.).

2. Pour enlever les glaçons du bac, passez ce dernier brièvement sous l'eau du robinet ou déformez légèrement le bac.

Accumulateurs de froid

En cas de panne de courant ou de problème :

- L'accumulateur de froid retarde le réchauffement des produits congelés rangés.

Remarque : La durée maximale de stockage est maximale si vous placez l'accumulateur de froid sur les produits alimentaires situés dans le compartiment le plus haut.

Vous pouvez sortir l'accumulateur de froid pour maintenir temporairement des produits alimentaires au frais, par exemple dans un sac isotherme.



Utiliser l'appareil

Allumez l'appareil

1. Appuyez sur la touche ①.
L'appareil commence à se refroidir. L'alarme sonore, l'affichage clignotant de température du compartiment congélateur et l'allumage de la touche **alarm** indiquent que le compartiment congélateur n'est pas encore assez froid.
2. Appuyez sur la touche **alarm**.
L'alarme sonore s'éteint.
3. Réglez la température souhaitée.
→ "Réglage la température" à la page 37

Remarques concernant le fonctionnement de l'appareil

- Une fois allumé, l'appareil pourrait prendre quelques heures à atteindre les températures réglées. Ne rangez pas de produits alimentaires tant que la température choisie n'est pas atteinte.
- Grâce au système NoFrost entièrement automatique, le compartiment congélateur ne se couvre pas de givre. Il n'est pas nécessaire de dégivrer.
- L'appareil chauffe légèrement une partie de ses surfaces frontales. Cela prévient la condensation d'eau dans la zone du joint de porte.
- Si la porte du compartiment congélateur ne se laisse pas immédiatement rouvrir après l'avoir fermée, attendez un moment pour laisser à la dépression régnant dans le compartiment le temps de se résorber.

Arrêter et remiser l'appareil

Éteignez l'appareil

- Appuyez sur la touche ①.
L'appareil ne réfrigère plus.

Éteignez l'appareil

Si l'appareil doit rester longtemps sans servir :

1. Appuyez sur la touche ①.
L'appareil ne réfrigère plus.
2. Débranchez la fiche de contact de la prise de courant ou ramenez le disjoncteur en position éteinte.
3. Nettoyez l'appareil.
4. Laissez l'appareil ouvert.

Régler l'unité de température

Vous pouvez choisir d'afficher la température en °C ou en °F.

1. Maintenez enfoncée la touche >.
La valeur affichée change à chaque demi-seconde. Après que l'affiche se soit éteint une demi-seconde, **F** ou **C** s'affiche pendant 1 seconde :
F si vous passez de °C à °F,
C si vous passez de °F à °C.
2. Relâchez la touche >.
L'unité est modifiée.

Remarque : Si vous relâchez les touches avant la fin du programme, l'unité ne sera pas modifiée.

Régler la température

Température recommandée

Compartiment réfrigérateur : 39 °F (4 °C)
Compartiment congélateur : 0 °F (-18 °C)

Compartiment réfrigérateur

- Actionnez la touche </> jusqu'à ce que la température souhaitée s'affiche.

Compartiment fraîcheur

La température régnant dans le compartiment fraîcheur est maintenue proche de 32 °F (0 °C).

Remarque : Si du givre se forme sur les produits placés dans le compartiment fraîcheur, réglez la température sur une valeur plus élevée. → "Que faire en cas de problème." à la page 48

Compartiment congélateur

- Actionner la touche </> jusqu'à ce que la température souhaitée s'affiche.

Super-réfrigération

Pendant la super-réfrigération, le compartiment réfrigérateur refroidit au maximum.

Enclenchez la super-réfrigération par ex. dans les cas suivants :

- avant de ranger de grandes quantités d'aliments.
- afin de réfrigérer rapidement des boissons.

Remarque : Si vous avez activé la super-réfrigération, l'appareil peut fonctionner plus bruyamment.

Au bout d'environ 15 heures, l'appareil revient en service normal.

Allumer / Éteindre la super-réfrigération :

- Appuyez sur la touche **super**.
Le voyant de la touche est allumé si vous avez activé la super-réfrigération.

Supercongélation

Pendant la supercongélation, le compartiment congélateur refroidit au maximum.

Activez la supercongélation par exemple :

- pour congeler des produits alimentaires à cœur rapidement
- 1...2 heures avant de ranger 2 kg ou plus de produits alimentaires

Remarque : Si vous avez activé la supercongélation, l'appareil peut fonctionner plus bruyamment.

Allumer / Éteindre la supercongélation :

- Appuyez sur la touche **super**.
Le voyant de la touche s'allume lorsque la supercongélation est activée.

Mode Vacances

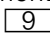
En cas d'absence prolongée, vous pouvez mettre l'appareil en mode Vacances, économe en énergie.

La température du compartiment réfrigérateur passe automatiquement à 58 °F(14 °C).

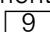
Pendant cette période, ne rangez pas de produits alimentaires dans le compartiment réfrigération.

La température dans le compartiment congélateur reste inchangée.

Activation du mode Vacances :

- Appuyez sur la touche > du compartiment réfrigérateur jusqu'à ce que l'afficheur  indique **Ho**.
Une fois le mode Vacances activé, l'afficheur de température du compartiment réfrigérateur n'indique plus de température.

Désactivation du mode Vacances :

- Appuyez sur la touche < du compartiment réfrigérateur jusqu'à ce que l'afficheur  indique la température souhaitée.

Alarme

Alarme de porte

L'alarme de porte retentit lorsque la porte de l'appareil reste ouverte longtemps.

- Fermez la porte ou appuyez sur la touche **alarm**. L'alarme sonore s'éteint.

Alarme de température

Si la température monte trop dans le compartiment congélateur, l'alarme de température s'allume.

ATTENTION

PENDANT LA DÉCONGÉLATION, DES BACTÉRIES PEUVENT APPARAÎTRE ET LES ALIMENTS CONGELÉS S'AVARIER.

Ne remettez pas à congeler des produits alimentaires partiellement ou entièrement décongelés.

Ne les recongelez qu'après avoir les avoir fait cuire ou rôtir. N'utilisez plus la durée de conservation dans son intégralité.

Remarque : L'alarme peut s'activer dans les cas suivants, sans qu'il n'y ait de risque pour les aliments congelés :

- L'appareil est mis en route.
- Rangement de grandes quantités de produits alimentaires frais.
- La porte du compartiment congélateur est restée trop longtemps ouverte.

Pour afficher la température la plus élevée qui a régné et pour éteindre l'alarme sonore :

- Appuyez sur la touche **alarm**.
La température la plus élevée qui a régné dans le compartiment congélateur s'affiche brièvement. Ensuite s'affiche à nouveau la température qui a été réglée.
À partir de ce moment-là, le système se remet à déterminer la température la plus élevée et l'enregistre.

Remarque : La touche **alarm** s'allume jusqu'à ce que la température réglée soit à nouveau atteinte.

Home Connect

Cet appareil est compatible Wi-Fi et peut être commandé à distance via un terminal mobile.

Remarque : Wi-Fi est une marque déposée de la société Wi-Fi Alliance.

Dans les cas suivants, l'appareil fonctionne comme un réfrigérateur sans connexion réseau et peut être manipulé manuellement à l'aide des éléments de commande :

- L'appareil n'est pas connecté à un réseau domestique.
- Le service Home Connect n'est pas disponible dans le pays où est installé l'appareil. Vous trouverez la liste des pays dans lesquels Home Connect est disponible sur www.home-connect.com.

Remarque : Respectez les consignes de sécurité figurant dans la présente notice d'utilisation. Assurez-vous qu'elles sont également respectées si vous utilisez l'appareil via l'application Home Connect alors que vous n'êtes pas à la maison.
→ "Consignes de sécurité importantes" à la page 26

Observez également les consignes dans l'application Home Connect.

Configurer Home Connect

Remarques


- Observez la fiche Home Connect disponible sous <http://www.bosch-home.com> parmi les notices à télécharger. Pour ce faire, saisissez le numéro E de votre appareil dans le champ de recherche.
- Attendez au moins deux minutes après la mise en marche de l'appareil que l'initialisation interne de l'appareil soit achevée. Ne configurez Home Connect qu'après cette dernière.
- Afin de pouvoir procéder à des réglages via Home Connect, l'application Home Connect doit être installée sur votre terminal mobile. Pour ce faire, observez les documents Home Connect fournis.

Suivez les étapes prescrites par l'appli pour procéder aux réglages.

- Si l'appareil n'est pas utilisé pendant une durée prolongée, le menu Home Connect se ferme automatiquement. Vous trouverez les instructions pour ouvrir le menu Home Connect au début des chapitres correspondants.

Connexion automatique au réseau domestique (WLAN)

Si un routeur WLAN avec la fonction WPS est disponible, le réfrigérateur peut être connecté automatiquement au réseau domestique.


1. Appuyez sur la touche .
L'affichage de la température du compartiment réfrigérateur indique **Cn**.
2. Appuyez sur la touche </> du compartiment réfrigérateur jusqu'à ce que l'affichage de la température du compartiment réfrigérateur indique **AC** et que l'affichage de la température du compartiment congélateur indique **OF**.
3. Appuyez sur la touche </> du compartiment congélateur.
L'appareil est prêt pour la connexion automatique.
L'affichage de la température du compartiment congélateur montre pendant 2 minutes une animation.
Pendant toute la durée de l'animation, l'appareil est prêt pour la connexion automatique.
4. Pendant ces 2 minutes, activez la fonction WPS du routeur du réseau domestique (p. ex. via la touche WPS/WLAN. Pour plus d'informations, voir les documents relatifs au routeur).
Si la connexion est établie avec succès, **On** clignote sur l'affichage de la température du compartiment congélateur.
L'appareil frigorifique est prêt pour une connexion à l'application.

Remarque : Si l'affichage de la température du compartiment congélateur indique **OF**, alors la connexion a été un échec.


1. Vérifiez si le réfrigérateur se trouve dans la zone de portée du réseau domestique (WLAN).
2. Répétez l'opération ou établissez une connexion manuelle.

Connexion manuelle au réseau domestique (WLAN)

Si le routeur WLAN existant ne dispose d'aucune fonction WPS ou si celle-ci n'est pas connue, il est possible de connecter le réfrigérateur manuellement au réseau domestique.

1. Appuyez sur la touche . L'affichage de la température du compartiment réfrigérateur indique **Cn**.
2. Appuyez sur la touche </> du compartiment réfrigérateur jusqu'à ce que l'affichage de la température du compartiment réfrigérateur indique **SA** et que l'affichage de la température du compartiment congélateur indique **OF**.
3. Appuyez sur la touche </> du compartiment congélateur. L'appareil est prêt pour la connexion manuelle. L'affichage de la température du compartiment congélateur montre une animation. Pendant toute la durée de l'animation, l'appareil est prêt pour la connexion manuelle.
4. Le réfrigérateur possède désormais son propre réseau WLAN portant le nom « HomeConnect ». Vous pouvez maintenant accéder à ce réseau avec le terminal mobile.
5. Dans le menu de réglage du terminal mobile, sélectionnez les réglages WLAN.
6. Connectez le terminal mobile au réseau WLAN « HomeConnect ».
Mot de passe : HomeConnect
L'établissement de la connexion peut durer jusqu'à 60 secondes.
7. Une fois la connexion établie, ouvrez l'application Home Connect sur le terminal mobile. L'application recherche l'appareil frigorifique.
8. Dès que le réfrigérateur a été trouvé, saisissez le nom du réseau (SSID) et le mot de passe (Key) du réseau domestique (WLAN) dans les champs correspondants.
9. Confirmez avec le bouton **Transférer aux appareils domestiques**.
 - Si la connexion est établie avec succès, **On** clignote sur l'affichage de la température du compartiment congélateur. Il est désormais possible de connecter l'appareil frigorifique à l'application.
 - Si l'affichage de la température du compartiment congélateur indique **OF**, alors la connexion a été un échec. Vérifiez si le réfrigérateur se trouve dans la zone de portée du réseau domestique (WLAN). Répétez l'opération.


Connecter le réfrigérateur à l'application Home Connect

1. Appuyez sur la touche . L'affichage de la température du compartiment réfrigérateur indique **Cn**.
2. Appuyez sur la touche </> du compartiment réfrigérateur jusqu'à ce que l'affichage de la température du compartiment réfrigérateur indique **PA** et que l'affichage de la température du compartiment congélateur indique **OF**.
3. Appuyez sur la touche </> du compartiment congélateur pour connecter l'appareil à l'application. L'affichage de la température du compartiment congélateur montre une animation. Dès que le réfrigérateur et l'appli sont connectés, l'affichage de la température du compartiment congélateur indique **On**.
4. Ouvrez l'application et attendez que le réfrigérateur s'affiche. Confirmez la connexion entre l'application et le réfrigérateur en appuyant sur **Ajouter**. Si le réfrigérateur ne s'affiche pas automatiquement, cliquez dans l'application sur **Ajouter l'appareil** et suivez les instructions. Dès que votre réfrigérateur s'affiche, ajoutez-le avec **+**.
5. Suivez les instructions de l'application jusqu'à la fin de l'opération. L'affichage de la température du compartiment réfrigérateur indique **PA** et l'affichage de la température du compartiment congélateur indique **On**. Le réfrigérateur a été connecté à l'application avec succès. Si la connexion a échoué, vérifiez si le terminal mobile est connecté au réseau domestique (WLAN). Répétez ensuite la procédure de connexion. Si **Er** apparaît sur l'affichage de la température du compartiment congélateur, réinitialisez les réglages de Home Connect.

Remarque : Lors de la réinitialisation, tous les réglages de Home Connect sont réinitialisés.


Contrôler l'intensité du signal

L'intensité du signal doit être contrôlée s'il n'est pas possible d'établir de connexion.

1. Appuyez sur la touche .
L'affichage de la température du compartiment réfrigérateur indique **Cn**.
2. Appuyez sur la touche </> du compartiment réfrigérateur jusqu'à ce que l'afficheur de température du compartiment réfrigérateur indique **SI**. L'affichage de la température du compartiment réfrigérateur indique une valeur entre 0 (absence de réception) et 3 (réception maximale).
Le signal doit avoir une intensité minimale de 2. La connexion peut être coupée si l'intensité du signal est trop faible.
 - Rapprochez davantage le routeur et l'appareil frigorifique.
 - Assurez-vous que la connexion n'est pas perturbée par des murs qui font écran.
 - Ou installez un répéteur pour amplifier le signal.

Réinitialiser les réglages Home Connect

Si un problème se présente lors de la tentative d'établissement d'une connexion ou si vous souhaitez inscrire l'appareil dans un autre réseau domestique (WLAN), les réglages de Home Connect peuvent être réinitialisés.

1. Appuyez sur la touche .
L'affichage de la température du compartiment réfrigérateur indique **Cn**.
2. Appuyez sur la touche </> du compartiment réfrigérateur jusqu'à ce que l'affichage de la température du compartiment réfrigérateur indique **RE** et que l'affichage de la température du compartiment congélateur indique **OF**.
3. Appuyez sur la touche </> du compartiment congélateur.
L'affichage de la température du compartiment congélateur montre une animation pendant 15 secondes.
Ensuite, l'affichage de la température du compartiment congélateur indique **OF**.
Les réglages de Home Connect sont réinitialisés.


Installer une mise à jour du logiciel Home Connect

Le réfrigérateur vérifie régulièrement si des mises à jour du logiciel Home Connect sont disponibles.

Si une mise à jour est disponible, l'affichage de la température du compartiment réfrigérateur indique **UP**.

Appuyez sur n'importe quelle touche pour réinitialiser l'affichage sur la température réglée.

Installer une mise à jour :

1. Appuyez sur la touche .
L'affichage de la température du compartiment réfrigérateur indique **Cn**.
2. Appuyez sur la touche </> du compartiment réfrigérateur jusqu'à ce que l'affichage de la température du compartiment réfrigérateur indique **UP** et que l'affichage de la température du compartiment congélateur indique **OF**.
3. Appuyez sur la touche </> du compartiment congélateur.
L'affichage de la température du compartiment congélateur montre une animation.
La mise à jour est en cours d'installation.
Pendant l'installation, toutes les touches sont verrouillées.
 - Si l'installation s'est déroulée correctement, l'affichage de la température du compartiment congélateur indique **On**.
 - Si l'installation ne s'est pas déroulée correctement, l'affichage de la température du compartiment congélateur indique **Er**. Lancez la mise à jour ultérieurement.
Si l'installation échoue, même après plusieurs tentatives, contactez le service à la clientèle.

Remarque sur la protection des données

Lors de la première connexion de votre appareil Home Connect à un réseau WLAN branché à Internet, votre appareil transmet les catégories de données suivantes au serveur Home Connect (premier enregistrement) :

- Code d'appareil univoque (constitué de clés d'appareil ainsi que de l'adresse MAC du module de communication Wi-Fi intégré).
- Le certificat de sécurité du module de communication Wi-Fi (pour la protection informatique de la connexion).
- La version actuelle du logiciel et du matériel de l'appareil ménager.
- L'état d'une précédente réinitialisation éventuelle des réglages d'usine.

Ce premier enregistrement prépare l'utilisation des fonctionnalités Home Connect et ne s'avère nécessaire qu'au moment où vous voulez utiliser les fonctions Home Connect pour la première fois.

Remarque : Veuillez noter que les fonctionnalités Home Connect ne sont utilisables qu'avec l'application Home Connect. Vous pouvez consulter les informations sur la protection des données dans l'application Home Connect.

Compartiment réfrigérateur

Le compartiment réfrigérateur permet de conserver des produits laitiers, des oeufs, des aliments cuisinés, des pâtisseries, des conserves ouvertes et du fromage à pâte dure.

La température est réglable entre 36 °F... 43 °F (+2 °C ...et +6 °C).

Grâce au stockage au froid, vous pouvez aussi ranger des denrées très périssables à court et moyen terme. Une température de 39 °F (4 °C) ou moins garantit la fraîcheur et la propreté optimales des produits alimentaires stockés.

Consignes de rangement

- Rangez les produits alimentaires frais et intacts. Ils conserveront ainsi plus longtemps leur qualité et leur fraîcheur.
- Respectez la date de conservation minimum ou la date de consommation indiquée par le fabricant pour les produits tout prêts et liquides conditionnés.
- Pour préserver l'arôme, la teinte et la fraîcheur, rangez les produits alimentaires bien emballés ou couverts. Ceci empêche en outre que certains aliments ne communiquent leur goût à d'autres et que les pièces en plastique changent anormalement de couleur.
- Attendez que les produits alimentaires chauds et les boissons aient refroidi avant de les mettre dans le compartiment réfrigérateur.

Tenez compte des différentes zones froides dans le compartiment réfrigérateur

L'air circulant dans le compartiment réfrigérateur fait que des zones différemment froides apparaissent.

Zone la plus froide

La zone la plus froide se trouve sur la plaque de séparation et dans le support pour grandes bouteilles.

La zone la moins froide

La zone la moins froide se trouve complètement en haut, contre la porte.

Remarques

- Rangez-y par ex. le fromage dur et le beurre. Le fromage peut ainsi continuer à développer son arôme, tandis que le beurre reste facile à tartiner.
- Rangez les aliments fragiles, par ex. le poisson, la charcuterie et la viande dans le compartiment fraîcheur. → "*Compartiment fraîcheur*" à la page 42

Compartiment fraîcheur

La température régnant dans le compartiment fraîcheur est maintenue proche de 32 °F (0 °C).

La basse température et l'humidité optimale de l'air créent des conditions de rangement idéales pour les produits alimentaires frais.

Le compartiment fraîcheur permet de préserver la fraîcheur des aliments frais jusqu'à trois fois plus longtemps que le compartiment réfrigérateur, de maintenir ainsi encore plus longtemps la fraîcheur, de préserver les substances nutritives et le goût.

Bac à légumes

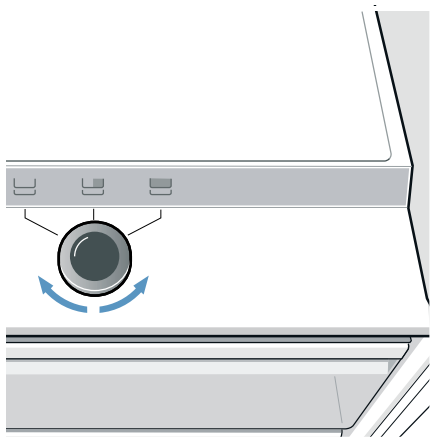
Le bac à légumes est l'endroit optimal où ranger les fruits et légumes frais. Le régulateur d'humidité de la cloison et un joint spécial vous permettent d'ajuster l'humidité de l'air dans le bac à légumes.

Vous pouvez ajuster l'humidité de l'air régnant dans le bac à légumes en fonction de la nature et de la quantité des produits à ranger :

- Fruits principalement ou bac très rempli : réglez une humidité de l'air moins élevée
- Légumes principalement ou bac rempli de produits différents ou faiblement rempli : réglez une humidité de l'air plus élevée

Remarques

- Pour préserver leur qualité et leur arôme, il est recommandé de ranger les fruits (par exemple les ananas, bananes, papayes, agrumes) et légumes (par exemple les aubergines, concombres, courgettes, poivrons, tomates et pommes de terre) qui craignent le froid hors de l'appareil à des températures comprises entre environ 46 °F ... 54 °F (8 °C ... +12 °C).
- Selon la quantité et la nature des produits stockés, de l'eau pourrait se condenser dans le bac à légumes. Retirez l'eau condensée avec un essuie-tout sec et ajustez l'humidité de l'air dans le bac à légumes via le régulateur d'humidité.



Bac fraîcheur

En raison du climat de stockage qui y règne, le bac fraîcheur offre des conditions idéales pour conserver le poisson, la viande et la charcuterie.

Durées de stockage à 32 °F (0 °C)

Les durées de stockage sont fonction de la qualité initiale.

Poisson frais, fruits de mer :	jusqu'à 3 jours
Volaille, viande (cuite / rôtie) :	jusqu'à 5 jours
Bœuf, porc, agneau, charcuterie (en tranches) :	jusqu'à 7 jours
Poisson fumé, brocolis :	jusqu'à 14 jours
Salade, fenouil, abricots, prunes :	jusqu'à 21 jours
Fromage à pâte molle, yaourt, fromage blanc, babeurre, chou-fleur :	jusqu'à 30 jours

Compartiment congélateur

Le compartiment congélateur sert à :

- stocker des produits surgelés
- la préparation de glaçons
- congeler des produits alimentaires

La température est réglable entre +5 °F... -8 °F (-15 °C ... -22 °C).

La congélation vous permet de stocker longtemps les denrées périssables sans pertes notables de qualité vu que les basses températures ralentissent fortement la détérioration ou la stoppent. L'aspect, l'arôme et l'ensemble des ingrédients demeurent préservés dans leur très large majorité.

La température de stockage à long terme des produits alimentaires doit être de 0 °F (-18 °C) ou encore plus basse.

Le temps nécessaire à ce que les produits frais rangés au congélateur congèlent à cœur dépend des facteurs suivants :

- Température réglée
- Nature du produit alimentaire
- Degré de remplissage du compartiment congélateur
- Quantité et type de stockage

Utiliser l'intégralité du volume de congélation

Pour loger la quantité maximale de produits congelés :

- retirez toutes les pièces d'équipement.
- Déposez les produits alimentaires directement sur les clayettes et le fond du compartiment congélateur.

Achats de produits surgelés

- Vérifiez que l'emballage est intact.
- Ne dépassez pas la date de péremption.
- La température dans le congélateur du supermarché doit être au maximum de 0 °F (-18 °C).
- Ne brisez pas la chaîne de congélation : utilisez de préférence un sac isotherme pour le transport puis rangez les produits le plus rapidement possible dans le compartiment congélateur.

Consignes de rangement

- Congelez des quantités d'aliments plus importantes dans le compartiment supérieur. C'est là qu'ils seront congelés le plus vite et en douceur.
- Étalez les produits alimentaires sur une grande surface dans les compartiments ou les bacs à produits congelés.
- Veillez à ce que les produits alimentaires à congeler n'entrent pas en contact avec d'autres déjà congelés. Si nécessaire, réordonnez les produits alimentaires congelés à cœur déjà présents dans les bacs.
- Consigne importante pour que l'air circule de manière impeccable dans l'appareil : Insérez le bac à produits congelés jusqu'à la butée.

Congeler des produits frais

Pour congeler les aliments, n'utilisez que des aliments frais et d'un aspect impeccable.

Les aliments consommés cuits (y compris au four) et rôtis se prêtent mieux à la congélation que les aliments consommés crus.

Avant la congélation, il faut soumettre les aliments à des processus de préparation différents selon la variété, pour préserver au mieux leur valeur nutritive, leur arôme et leur couleur :

- Légumes : Lavage, broyage, blanchiment.
- Fruits : Lavage, dénoyautage et épluchage au besoin ; ajoutez le cas échéant du sucre ou de l'acide ascorbique en solution.

Vous trouverez des conseils à ce sujet dans la littérature spécialisée.

Vont au congélateur

- Pain et pâtisserie
- Poisson et fruits de mer
- Viande
- Le gibier et la volaille
- Fruits, légumes et herbes
- Les œufs sans coque
- Les produits laitiers, par ex. le fromage, le beurre et le fromage blanc
- Les plats précuisinés et restes de plats, par exemple soupes, ragoûts, viande cuite, poisson cuit, plats à base de pommes de terre, soufflés et mets sucrés

Ne vont pas au congélateur

- Variétés de légumes habituellement dégustées crues, par exemple les salades ou radis
- Œufs avec coque ou les œufs cuits durs
- Raisins
- Pommes, poires, pêches entières
- Yaourt, lait caillé, crème acidulée, crème fraîche et mayonnaise

Emballer les surgelés

La nature correcte de l'emballage et le choix du matériau conditionnent de manière déterminante la préservation de la qualité du produit, et évitent l'apparition de brûlures par le froid.

1. Placez les aliments dans l'emballage.
2. Pressez pour chasser l'air.
3. Fermez hermétiquement l'emballage afin que les produits alimentaires ne perdent pas leur goût ou ne sèchent pas.
4. Indiquez sur l'emballage le contenu et la date de congélation.

Emballage adapté :

- Feuilles en plastique
- Feuilles en polyéthylène
- Feuilles d'aluminium
- Boîtes de congélation

Moyens de fermeture appropriés :

- Caoutchoucs
- Clips en plastique
- Rubans adhésifs résistants au froid

Emballage non approprié :

- Papier d'emballage
- Papier sulfurisé
- Cellophane
- Sacs-poubelles et sacs d'achat déjà utilisés

Durée de conservation des aliments congelés à – 18 °C

Poisson, charcuterie, plats pré-cuisinés, pâtisseries :	jusqu'à 6 mois
Viande, volaille :	jusqu'à 8 mois
Fruits et légumes :	jusqu'à 12 mois

Calendrier de congélation

Le calendrier de congélation imprimé indique la durée maximale de stockage, en mois, à une température permanente de 0 F (–18 °C).

Décongélation des produits

Il faut adapter la méthode de décongélation au produit alimentaire concerné et au but d'utilisation afin de préserver au mieux la qualité du produit.

Méthodes de décongélation :

- Dans le compartiment réfrigérateur (convient particulièrement aux denrées d'origine animale comme le poisson, la viande, le fromage et le fromage blanc)
- À la température ambiante (pain)
- Au micro-ondes (produits alimentaires destinés à une consommation ou une préparation immédiate)
- Four / cuisinière (produits alimentaires destinés à une consommation ou une préparation immédiate)



ATTENTION

Ne remettez pas à congeler des produits alimentaires partiellement ou entièrement décongelés. Vous ne pouvez recongeler qu'après avoir transformé la denrée en plat prêt à déguster (plat cuit, au four compris).

N'utilisez plus intégralement la durée maximale de conservation du produit congelé.



Dégivrer l'appareil

Compartiment réfrigérateur

Le dégivrage s'effectue automatiquement.

Compartiment congélateur

Grâce au système NoFrost entièrement automatique, le compartiment congélateur ne se couvre pas de givre. Il n'est plus nécessaire de dégivrer.

Nettoyage

ATTENTION

ÉVITEZ D'ENDOMMAGER L'APPAREIL ET SES PIÈCES D'ÉQUIPEMENT.

- N'utilisez aucun produit de nettoyage ni aucun solvant contenant du sable, du chlorure ou de l'acide.
- N'utilisez jamais d'éponges abrasives ou susceptibles de rayer. De la corrosion peut apparaître sur les surfaces métalliques.
- Ne nettoyez jamais les clayettes et les bacs au lave-vaisselle. Ces pièces pourraient se déformer!

Procédez comme suit :

1. Éteignez l'appareil.
2. Débranchez la fiche de contact de la prise de courant ou ramenez le disjoncteur en position éteinte.
3. Sortez les aliments et rangez-les au frais. Si applicable : déposez l'accumulateur de froid sur les produits alimentaires.
4. Si applicable : attendez que la couche de givre ait fondu.
5. Ne nettoyez l'appareil qu'avec un chiffon doux, de l'eau tiède et du produit à vaisselle avec un pH neutre.

ATTENTION

Veillez à ce que l'eau de rinçage ne pénètre pas dans le système d'éclairage et qu'elle ne gagne pas la zone d'évaporation via l'orifice d'écoulement.

6. Essuyez le joint de porte avec de l'eau claire et frottez soigneusement pour le sécher.
7. Raccordez à nouveau l'appareil, mettez-le sous tension et rangez les produits alimentaires.

Nettoyer l'équipement

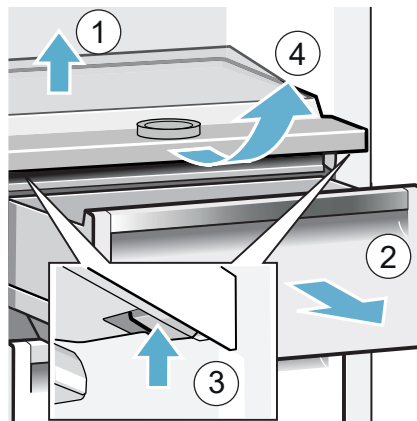
Pour nettoyer, retirez les pièces variables de l'appareil.

→ "Équipement" à la page 35

Plaque séparatrice et couvercle du bac à légumes

Extrayez la cloison séparatrice

- Retirez la plaque en verre, appuyez par-dessous sur les leviers, tirez la cloison séparatrice en avant, soulevez-la, puis faites-la pivoter latéralement pour l'extraire.

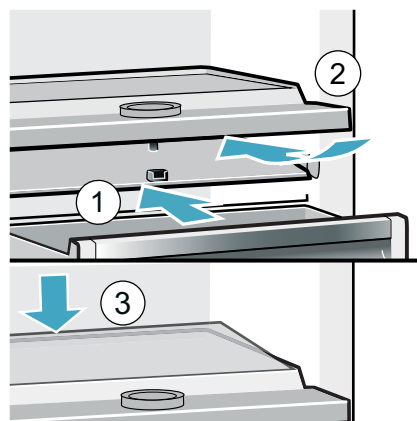


Retirez le couvercle du bac à légumes

- Soulevez le couvercle, tirez-le en avant et faites-le basculer latéralement pour l'extraire.

Mettez en place le couvercle du bac à légumes et la cloison séparatrice

1. Mettez en place le couvercle du bac à légumes.
2. Mettez en place la cloison séparatrice.
3. Mettez en place la plaque en verre.



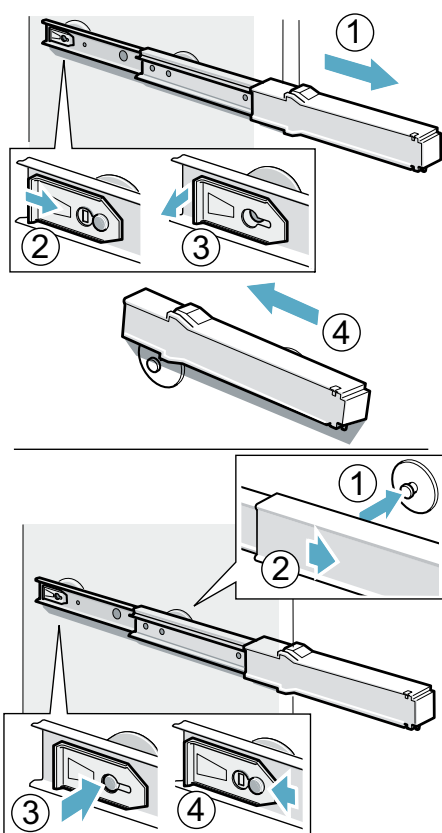
Rails de sortie

Démontez les rails de sortie

1. Extrayez les rails de sortie.
2. Poussez le dispositif de verrouillage dans le sens de la flèche.
3. Détachez le rail de sortie du goujon arrière.
4. Rabattez le rail de sortie sur lui-même au dessus du goujon arrière puis décrantez-le.

Monter les rails de sortie

1. Posez le rail de sortie déployé sur le goujon avant.
2. Tirez légèrement le rail de sortie en avant pour le faire enclaner.
3. Mettez le rail de sortie en place contre le goujon arrière.
4. Poussez le dispositif de verrouillage vers l'arrière.



Odeurs

Si des odeurs désagréables se manifestent :

1. Éteignez l'appareil avec la touche Marche / Arrêt ①.
2. Sortez tous les produits alimentaires de l'appareil.
3. Nettoyez le compartiment intérieur. → "Nettoyage" à la page 46
4. Nettoyez tous les emballages.
5. Pour empêcher l'apparition d'odeurs, emballez hermétiquement les produits dont émane une odeur forte.
6. Remettez l'appareil en marche.
7. Remplissez l'appareil de nouveau.
8. Au bout de 24 heures, vérifiez si les odeurs persistent.

Éclairage

Votre appareil est équipé d'un éclairage par LED ne demandant pas d'entretien.

Seul le service à la clientèle ou des spécialistes agréés sont autorisés à réparer l'éclairage.

Bruits

Bruits normaux

Bourdonnement : Un moteur tourne, par exemple le groupe frigorifique, un ventilateur.

Gargouillis, ronflement ou clapotis : Le fluide frigorigène circule dans les tuyaux.

Cliquetis : Le moteur, les interrupteurs ou les électrovannes s'allument / s'éteignent.

Craquement : Le dégivrage automatique est en cours.

Prévenir les bruits

L'appareil ne repose pas d'aplomb : Ajustez l'appareil à l'aide d'un niveau à bulle. Si nécessaire, insérez quelque chose sous l'appareil.

Des récipients, clayettes ou rangements vacillent ou se coincent : Vérifiez les pièces d'équipement amovibles et remplacez-les au besoin.

Des bouteilles ou récipients se touchent : éloignez les bouteilles ou récipients les uns des autres.

Que faire en de problème.

Avant d'appeler le service à la clientèle, veuillez vérifier si le tableau ci-dessous ne contient pas déjà la solution qu'il vous faut.

La température réelle diffère fortement de la température réglée.

Éteindre l'appareil pendant 5 minutes.
 → "Arrêter et remiser l'appareil" à la page 37
 Si la température est trop élevée, vérifiez-la à nouveau au bout de quelques heures.
 Si la température est trop basse, vérifiez-la à nouveau le jour suivant.

Aucun voyant ne s'allume.

Fiche mâle incorrectement branchée dans la prise de courant.	Rebranchez la fiche de contact.
Fusible déclenché.	Inspecter les fusibles.
Le courant est en panne.	Vérifier la présence de courant.

L'écran indique E....

Le système électronique a détecté une erreur.	Appelez le service à la clientèle. → "Service à la clientèle" à la page 49
---	---

Une alarme sonore retentit et la touche alarm s'allume.

	Appuyez sur la touche alarm . L'alarme est éteinte.
La porte de l'appareil est ouverte.	Fermez la porte de l'appareil.
Orifices d'entrée et de sortie d'air recouverts.	Dégagez les orifices d'entrée et de sortie d'air.
De grandes quantités de produits alimentaires frais ont été rangés.	Ne dépassez pas la capacité de congélation maximale.

Le voyant clignote, une alarme sonore retentit et la touche alarm s'allume.

	Appuyez sur la touche alarm . L'alarme est éteinte.
La porte de l'appareil est ouverte.	Fermez la porte de l'appareil.
Orifices d'entrée et de sortie d'air recouverts.	Dégagez les orifices d'entrée et de sortie d'air.
De grandes quantités de produits alimentaires frais ont été rangés.	Ne dépassez pas la capacité de congélation maximale.

L'affichage clignote.

La température a trop monté dans le compartiment congélateur.	Après avoir appuyé sur la touche alarm la température la plus élevée qui a régné dans le compartiment congélateur s'affiche pendant 5 secondes. Appuyez sur la touche alarm . L'affichage ne clignote plus.
---	---

L'appareil ne réfrigère pas, l'affichage et l'éclairage sont allumés.

L'appareil se trouve en mode Exposition.	Lancer l'autodiagnostic de l'appareil. → "Autodiagnostic de l'appareil" à la page 49 Une fois le programme exécuté, l'appareil se remet en mode normal.
--	---

Le compartiment fraîcheur est trop chaud ou trop froid.

La température standard est réglée sur une valeur trop haute ou trop basse (par exemple en présence de givre dans le compartiment fraîcheur).	La température régnant dans le compartiment fraîcheur est réglable entre 37 °F... +27 °F (+3 °C ...et -3 °C). Par défaut, la température dans le compartiment fraîcheur est réglée à 32 °F (0 °C). <ol style="list-style-type: none"> 1. Appuyez sur la touche super compartiment réfrigérateur et maintenez-la enfoncée jusqu'à ce que l'affichage de température du compartiment réfrigérateur clignote. 2. Appuyez sur la touche </> du compartiment réfrigérateur pour modifier le réglage. La température réglée est enregistrée au bout d'une minute.
---	--

Service à la clientèle

Si nécessaire, nous recommandons de confier l'inversion du sens d'ouverture de porte à notre service à la clientèle. Pour connaître le prix d'une inversion du sens d'ouverture de porte, consultez votre service après-vente compétent.

Avant d'appeler le service après-vente, veuillez vérifier que vous ne pouvez pas remédier vous-même au problème.

Après vérification dans la section de dépannage, il est possible d'appeler (gratuitement) le Bosch Customer Support Center au 1-800-944-2904 depuis tout le territoire des É-U.

Au Canada, veuillez vous adresser à votre SAC Bosch ou composer le numéro 1-800-944-2904.

Si vous avez besoin que le SAC vous aide, veuillez avant de l'appeler noter les informations suivantes relatives à votre appareil afin de les avoir à portée de main et que le SAC vous aide de manière plus ciblée.

Nom du revendeur :	
Adresse :	
N° de téléphone :	
Date d'achat :	
Numéro du modèle :	
Numéro de fabrication (FD) :	
Numéro de série	
Type	

Autodiagnostic de l'appareil

Votre appareil comprend un programme d'autodiagnostic affichant les défauts que votre service à la clientèle peut corriger.



















1. Éteignez l'appareil et attendez 5 minutes.
2. Allumez l'appareil.
3. Dans les 10 premières secondes, appuyez sur la touche **super** du compartiment congélation pendant 3 ... 5 secondes et maintenez-la enfoncée jusqu'à l'émission d'un signal sonore. L'autodiagnostic commence. Pendant l'autodiagnostic, un long signal sonore retentit.
 - Si 2 signaux sonores retentissent à la fin de l'autodiagnostic et si la température réglée s'affiche : votre appareil fonctionne parfaitement.
 - Si 5 signaux sonores retentissent à la fin de l'autodiagnostic et si la touche **super** du compartiment congélation clignote pendant 10 secondes : prévenez le service à la clientèle.

Une fois le programme exécuté, l'appareil se remet en service normal.

Déclaration de garantie

Consultez la déclaration ci-jointe sur la garantie de produit limitée pour de plus amples renseignements sur la garantie.

es Índice

	Indicaciones de seguridad importantes . . .	51
	Definiciones	51
	Acerca de este manual	51
	Introducción	51
	Limitación del grupo de usuarios	51
	Peligro de explosión	51
	Riesgo de descarga eléctrica	51
	Peligro de quemaduras por frío	52
	Peligro de lesiones	52
	Peligro de incendio/peligro a causa de líquido refrigerante	52
	Riesgo de incendio	52
	Peligro de asfixia	52
	Daños materiales	52
	Peso	53
	Advertencias en virtud de la Proposición 65 del estado de California	53
	Uso previsto	53
	Protección del medio ambiente	53
	Embalaje	53
	Aparato usado	53
	Instalación y conexión	53
	Material entregado	53
	Datos técnicos	54
	Instalar el aparato	54
	Cotas de instalación	54
	Preparar las puertas del mueble	55
	Medidas del hueco de encastre	55
	Colocación side by side	55
	Ahorrar energía	56
	Antes del primer uso	57
	Conexión a la red eléctrica	57
	Familiarizándose con el aparato	58
	Aparato	58
	Controles	59
	Equipamiento	60
	Manejo del electrodoméstico	62
	Conectar el aparato	62
	Apagar y cerrar el aparato	62
	Ajustar de la unidad de temperatura	62
	Ajustar la temperatura	62
	Super frío	63
	Supercongelación	63
	Modo Vacaciones	63
	Alarma	64
	Alarma de la puerta	64
	Alarma de temperatura	64
	Home Connect	64
	Configurar Home Connect	64
	Instalar la actualización de software de Home Connect	66
	Indicaciones sobre protección de datos	67
	Compartimento refrigerador	67
	Puntos a observar al guardar los alimentos	67
	Prestar atención a las diferentes zonas de frío del compartimento refrigerador	67
	Compartimento fresco	68
	Contenedor para verduras	68
	Cajón fresco	68
	Tiempos de conservación a 32 °F (0 °C)	68
	Congelador	69
	Aprovechar toda la capacidad de congelación del aparato	69
	Al comprar alimentos congelados	69
	Al ordenar prestar atención	69
	Congelar los alimentos frescos	69
	Descongelar los productos congelados	70
	Descongelación	70
	Compartimento refrigerador	70
	Congelador	70
	Limpiar	71
	Limpiar los accesorios	71
	Olores	72
	Iluminación	72
	Ruidos	72
	Ruidos normales	72
	Evitar ruidos	72
	¿Qué hacer en caso de avería?	73
	Servicio de Atención al Cliente	74
	Autopueba del aparato	74
	Declaración de garantía	74



Indicaciones de seguridad importantes

¡LEER Y CONSERVAR ESTAS INDICACIONES!

Definiciones

ADVERTENCIA

Hacer caso omiso de esta advertencia puede causar lesiones graves o la muerte.

ATENCIÓN

Hacer caso omiso de esta advertencia puede provocar lesiones leves o moderadas.

AVISO: Hacer caso omiso de esta advertencia puede causar daños al aparato.

Nota: Esto indica información y/o consejos importantes.

Acerca de este manual

- Lea y siga las instrucciones de uso y de montaje. Ellas contienen información importante sobre la instalación, uso y mantenimiento del aparato.
- El fabricante no se hace responsable, si usted ignora las indicaciones y advertencias de las instrucciones de uso y montaje.
- Guarde todas las instrucciones de uso y de montaje para futuras consultas y posteriores propietarios.

Introducción

- Este aparato cumple las normas específicas de seguridad para aparatos eléctricos.
- La estanqueidad del circuito de refrigeración viene verificada de fábrica.

Limitación del grupo de usuarios

- Este dispositivo no está destinado a ser utilizado por personas (incluidos niños) con capacidades físicas, sensoriales o mentales limitadas, o por falta de experiencia o conocimiento, a menos que sea supervisado por una persona responsable de su seguridad o que hayan recibido instrucciones sobre cómo usar el aparato.
- Se debe vigilar a los niños para asegurarse de que no jueguen con el aparato.

Peligro de explosión

- Nunca use aparatos eléctricos en el interior del aparato (por ejemplo, calefactores o máquinas eléctricas para hacer hielo).
- No guarde productos que contengan gases propelentes o inflamables (por ejemplo, latas de aerosol), ni tampoco materiales explosivos en el aparato.
- Almacene el alcohol de alta graduación solamente en recipientes herméticos y en posición vertical.
- Con excepción de las indicaciones del fabricante, no adopte medidas adicionales para acelerar la descongelación.

Riesgo de descarga eléctrica


Una incorrecta instalación o reparación puede implicar serios peligros para el usuario.

- Al instalar el aparato, asegúrese de que el cable de conexión a la red eléctrica no quede atrapado ni se dañe.
- Para evitar peligros, desconecte el aparato inmediatamente en caso de que el cable de conexión esté dañado. Póngase en contacto con el fabricante, el Servicio de atención al cliente o con una persona con una cualificación similar para que sustituya el cable de red.



Indicaciones de seguridad importantes

¡LEER Y CONSERVAR ESTAS INDICACIONES!

- No utilice nunca tomas de corriente múltiples ni cables de prolongación o adaptadores.
- Antes de que realice trabajos de mantenimiento o instale el aparato, desenchúfelo de la red eléctrica o apague el fusible.
Antes de limpiar el electrodoméstico, pulsar la tecla  para apagar el aparato. Es posible cambiar de lugar las bandejas de cristal u otras piezas de equipamiento mientras el aparato está encendido.
- Nunca corte o retire el tercer conductor (conductor a tierra) del cable de conexión a la red eléctrica.
- Nunca utilice ningún tipo de limpiador de vapor para derretir la escarcha o limpiar el aparato. El vapor puede llegar a las piezas eléctricas y causar un cortocircuito.
- El aparato, cables y accesorios solamente deben ser reparados o cambiados por el fabricante o por un proveedor autorizado.
- Utilice únicamente piezas originales del fabricante.
El fabricante garantiza que estas piezas cumplen los requisitos de seguridad.

Peligro de quemaduras por frío

- Nunca introduzca los alimentos congelados - inmediatamente después de sacarlos del congelador - directamente en la boca.
- Evite el contacto prolongado de la piel con los alimentos congelados, el hielo o los tubos del congelador.

Peligro de lesiones

Los envases con bebidas carbonatadas pueden estallar.

No almacene envases con bebidas carbonatadas en el congelador.



Peligro de incendio/peligro a causa de líquido refrigerante

En los tubos del circuito de enfriamiento fluye una pequeña cantidad de un refrigerante ecológico, pero inflamable (R600a). No daña la capa de ozono ni aumenta tampoco el efecto invernadero. Si el líquido refrigerante sale a chorro puede inflamarse o provocar lesiones en los ojos.

- No dañar los tubos.

En caso de daños en los tubos:

- Mantener las fuentes de fuego o focos de ignición alejados del aparato.
- Ventilar el lugar.
- Apagar el aparato y desconectar el enchufe.
- Llamar al Servicio de Atención al Cliente.



Riesgo de incendio

Las tomas de corriente múltiples portátiles o las fuentes de alimentación portátiles pueden sobrecalentarse y provocar incendios.

No colocar tomas de corriente múltiples portátiles ni fuentes de alimentación portátiles detrás del aparato.

Peligro de asfixia

- En caso de disponer la unidad de una cerradura, guardar la llave fuera del alcance de los niños.
- No dejar el embalaje o sus partes a los niños.

Daños materiales

Para evitar daños materiales:

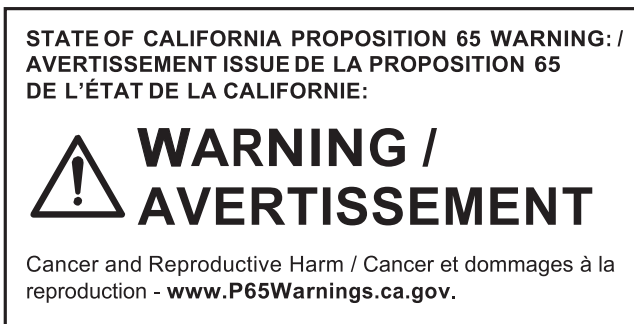
- No pise, ni se apoye sobre el zócalo, cajones o puertas.
- Mantenga las piezas de plástico y juntas de goma limpias de aceites y grasas.
- Tirar del enchufe - no del cable de conexión.

Peso

El aparato es muy pesado. Realizar la instalación y el transporte del aparato siempre con un mínimo de 2 personas.
→ "Instalar el aparato" en la página 54

Advertencias en virtud de la Proposición 65 del estado de California

Este producto puede contener un químico que el Estado de California reconoce como potencialmente cancerígeno o causante de daños reproductivos. Por tanto, su producto debe llevar en su embalaje la siguiente etiqueta de conformidad con la legislación de California:



Uso previsto

Use este aparato

- Para la refrigeración y la congelación de alimentos, así como para la preparación de cubitos de hielo.
- solo para uso doméstico o en el entorno del hogar.
- solo de acuerdo a estas instrucciones de uso.

Este aparato está diseñado para ser utilizado hasta una altura máxima de 2,000 metros sobre el nivel del mar.

Protección del medio ambiente

Embalaje

Todos los materiales son ecológicos y reciclables:

- Deseche el embalaje conforme a la normativa medioambiental.
- Pregunte a su Distribuidor o en su Administración Pública acerca de los métodos de eliminación.

Aparato usado

Mediante una eliminación respetuosa con el medio ambiente, se pueden recuperar materias primas valiosas.

⚠ ADVERTENCIA

¡LOS NIÑOS SE PUEDEN ENCERRAR Y ASFIXIAR EN EL APARATO!

Antes de eliminar el aparato usado:

- Desmontar las puertas.
- Dejar las bandejas y recipientes dentro del aparato, para dificultar que los niños se suban.
- Mantenga a los niños lejos de los aparatos usados.

⚠ ATENCION

SE PUEDEN ESCAPAR REFRIGERANTES Y GASES NOCIVOS.

No dañe las tuberías del circuito de refrigeración y aislamiento.

1. Desconecte el enchufe.
2. Corte el cable de conexión del aparato.
3. Eliminar el aparato correctamente.

Instalación y conexión

Material entregado

Verifique que las piezas no presentan daños ni desperfectos debidos al transporte tras desembalarlas.

Si tiene alguna queja deberá dirigirse al distribuidor en donde adquirió su electrodoméstico o a nuestro Servicio de Atención al Cliente.

→ "Servicio de Atención al Cliente" en la página 74

El envío consta de los siguientes elementos:

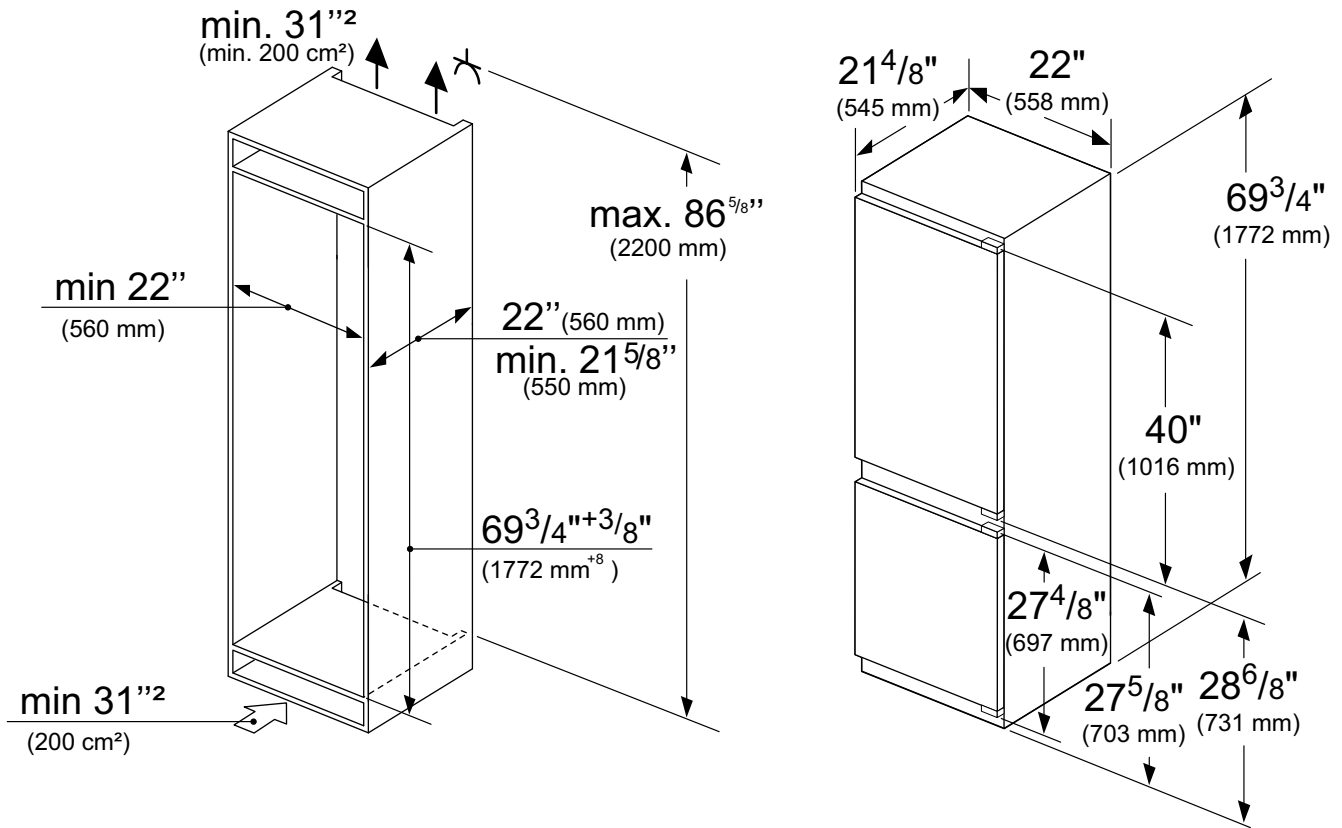
- Aparato para instalación integrada
- Equipamiento (según modelo)
- Material de montaje
- Instrucciones de uso
- Instrucciones de instalación
- Cuaderno de Servicio al cliente
- Declaración sobre la garantía limitada del producto
- Suplemento de la garantía
- Informaciones sobre el consumo de energía y los ruidos del aparato

Datos técnicos

El refrigerante utilizado, la capacidad útil y otros datos técnicos se encuentran en la placa de identificación.

→ "Familiarizándose con el aparato" en la página 58

Cotas de instalación



Instalar el aparato

Lugar de instalación

Cuanto mayor sea la cantidad de refrigerante contenida en el aparato, mayor deberá ser el área donde se lo ubique. En los espacios demasiado pequeños puede generarse una mezcla inflamable de aire y gas en caso de una fuga.

Por cada 8 g de refrigerante, la dimensión de la habitación debe tener por lo menos 36 pies³ (1 m³). La cantidad de refrigerante en su aparato se indica en la placa de características, que se encuentra en el interior del mismo.

→ "Familiarizándose con el aparato" en la página 58

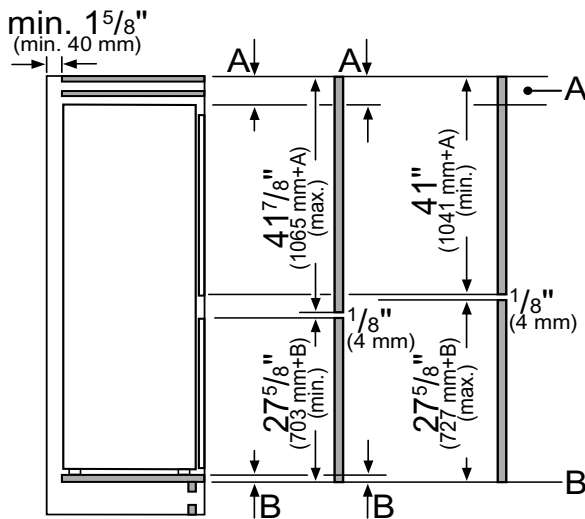
El peso de su aparato puede ser de hasta 166 lbs (75 kg), dependiendo del modelo.

Preparar las puertas del mueble

Nota: Al trabajar en las puertas del mueble, siempre se debe tener en cuenta lo siguiente:

- Elegir el espesor de la puerta del mueble entre al menos $5/8''$ (16 mm) y $3/4''$ (19 mm).
- Longitud de los tornillos: elegirla siempre más corta que el espesor de la puerta del mueble.
- Atornillar siempre en la parte de la puerta del mueble capaz de soportar más carga.
- No atornillar en rellenos o similares.
- No atornillar en el filtro, en tiras decorativas o similares.
- Proteger contra daños las superficies de las puertas del mueble durante la instalación.

Medidas de las puertas del mueble



Leyenda

- | | |
|---|--|
| A | Saliente de la puerta del mueble |
| B | Borde inferior de la puerta del mueble |

Las medidas de la puerta del mueble especificadas corresponden a una junta de la puerta de $5/32''$ (4 mm).

Medidas del hueco de encastre

Profundidad del nicho de instalación

Para el aparato se recomienda una profundidad del nicho de instalación de $22^{3/64}''$ (56 cm). En un nicho de instalación con una profundidad menor – como mínimo $21^{21/32}''$ (55 cm) – el consumo de energía aumentará ligeramente.

Ancho del hueco

El hueco de encastre para el aparato debe tener al menos un ancho interior de $22^{3/64}''$ (56 cm). En caso de divergencias pueden presentarse problemas al instalar el aparato.


Colocación side by side

Solo es posible colocar los aparatos uno al lado del otro, manteniendo una distancia de al menos $5.9''$ (15 cm) entre ellos.

Ahorrar energía

Si sigue estas instrucciones, el aparato consume menos corriente.

Nota: La disposición de las piezas de equipo no afectará el consumo de energía de aparato.

Instalar el aparato	
Proteger el aparato de la luz directa del sol.	Cuando la temperatura ambiente es más baja, el aparato enfría con menos frecuencia, consumiendo menos corriente.
Coloque el aparato a la mayor distancia posible de radiadores, estufas u otras fuentes de calor: 1 1/4" (3 cm) de estufas eléctricas o de gas 1 1 13/16" (30 cm) de estufas de aceite o carbón	
Seleccione el lugar de instalación con una temperatura ambiente de aproximadamente 68 °F (20 °C).	
Utilizar una profundidad del nicho de instalación de 22 3/64" (56 cm).	
 ATENCIÓN ¡Riesgo de sufrir quemaduras! Algunas piezas del aparato se calientan durante su funcionamiento. El contacto con dichas piezas puede provocar quemaduras.	El aire en el panel posterior del aparato no se calienta tanto. El aparato consume menos corriente cuando el aire caliente puede salir.
No cubrir ni obstruir las aberturas de ventilación.	
Ventilar diariamente el recinto.	
Uso del aparato	
Abrir la puerta del aparato solo brevemente.	El aire en el interior del aparato no se calienta tanto. El aparato debe enfriar con menos frecuencia y, por lo tanto, consume menos corriente.
Transporte los alimentos comprados en una bolsa térmica y colóquelos inmediatamente en el aparato.	
Dejar enfriar los alimentos o bebidas calientes antes de introducirlos en el aparato.	
Descongelar los productos congelados en el refrigerador para poder utilizar el frío de los productos congelados.	El aire puede circular y la humedad del aire permanece constante. El aparato debe enfriar con menos frecuencia y, por lo tanto, consume menos corriente.
Siempre deje un poco de espacio entre los alimentos y el panel posterior.	
Envasar herméticamente los alimentos.	
No cubrir ni obstruir las aberturas de ventilación.	El aire en el panel posterior del aparato no se calienta tanto. El aparato consume menos corriente cuando el aire caliente puede salir.
Cierre cuidadosamente la puerta del congelador.	Se produce una fuerte acumulación de hielo o escarcha en el interior del congelador. El aparato tiene que aumentar su rendimiento, provocando un mayor consumo de energía.

Antes del primer uso

1. Retirar el material informativo y eliminar las cintas adhesivas, así como las láminas protectoras.
2. Limpiar el aparato.
→ "Limpiar" en la página 71

Conexión a la red eléctrica

ATENCION

No conecte el aparato a enchufes de ahorro de energía electrónicos.

Nota: El aparato se puede conectar a convertidores conmutados por red o de onda sinusoidal.

Los convertidores conmutados por red se emplean en las instalaciones fotovoltaicas conectadas directamente a la red pública de abastecimiento de corriente eléctrica. En instalaciones aisladas deberán emplearse los convertidores de onda sinusoidal. Las instalaciones aisladas, por ejemplo en barcos o refugios de montaña, no tienen conexión directa a la red pública de corriente eléctrica.

1. Después de instalar el aparato, esperar al menos 1 hora antes de conectarlo, para evitar daños en el compresor.
2. Asegúrese de que la toma de corriente se ha instalado correctamente y cumple con los requerimientos exigidos.

Requisitos para las tomas de corriente

Toma de corriente de 110 V ... 120 V
Conductor de protección 60 Hz
Fusible 10 A ... 16 A

Carga simultánea máxima

Aparato 6 A

3. Conecte el aparato a una toma de corriente cerca del aparato.
La toma de corriente debe estar fácilmente accesible después de la instalación del aparato.

ADVERTENCIA

¡RIESGO DE DESCARGA ELÉCTRICA!

No utilice nunca tomas de corriente múltiples, ni cables de prolongación o adaptadores.

El aparato debe estar conectado a tierra adecuadamente.

Nunca corte o retire el tercer conductor (conductor a tierra) del cable de conexión a la red eléctrica.

ADVERTENCIA

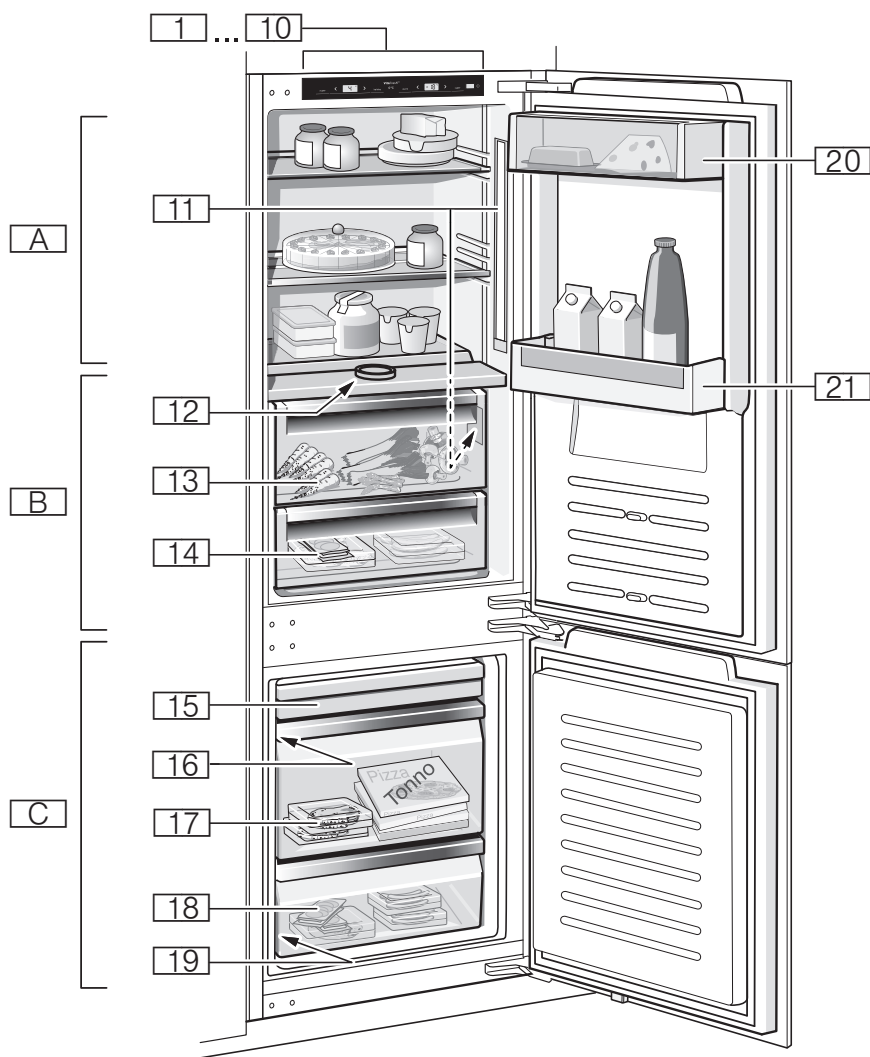
¡RIESGO DE DESCARGA ELÉCTRICA!

Si la longitud del cable de conexión a la red eléctrica no es suficiente, no utilice nunca ni tomas de corrientes múltiples ni cables de prolongación. Contacte al Servicio de atención al cliente para mayor información.

Familiarizándose con el aparato

Las presentes instrucciones de uso son válidas para varios modelos de aparato. Pueden existir diferencias con las ilustraciones.

Aparato

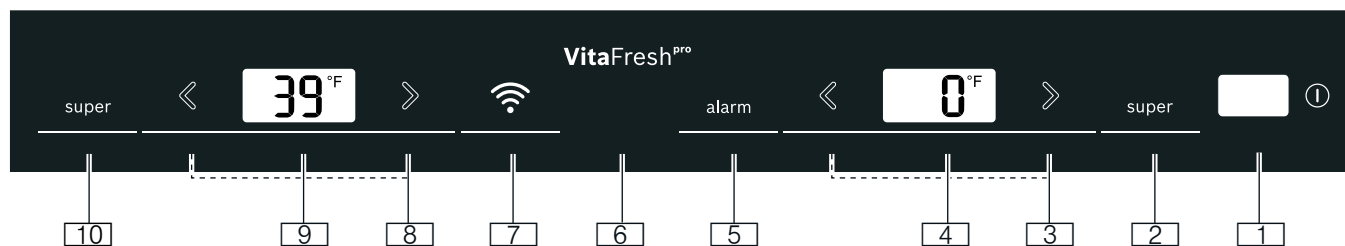


* No disponible en todos los modelos.

- A** Compartimento refrigerador
- B** Compartimento fresco
- C** Congelador
- 1...10** Controles
- 11** Iluminación
- 12** Placa separadora con regulador de humedad
- 13** Contenedor para verduras
- 14** Cajón fresco
- 15*** Recipiente para productos congelados (plano)
- 16*** Cajón de congelación

- 17 Recipiente para productos congelados (grande)
- 18 Recipiente para productos congelados (pequeño)
- 19 Placa de características
- 20 Compartimentos para guardar la mantequilla y el queso
- 21 Estante para guardar botellas grandes

Controles



- 1 Tecla ①
Conecta o desconecta el aparato.
- 2 Tecla **super** del congelador
Enciende o apaga la función de supercongelación.
- 3 Tecla </> del congelador
Permite ajustar la temperatura del congelador.
- 4 Indicación de la temperatura del congelador
Muestra la temperatura programada en °F/°C.
- 5 Tecla **alarm**
Desactiva la alarma acústica.
- 6 **VitaFresh pro**
La indicación se ilumina cuando el aparato está funcionando.
- 7 Tecla
- Conecta o desconecta la función Home Connect.
- 8 Tecla </> del compartimento refrigerador
Permite ajustar la temperatura del compartimento refrigerador.
- 9 Indicación de la temperatura del compartimento refrigerador.
Muestra la temperatura programada en °F/°C.
- 10 Tecla **super** del compartimento refrigerador
Enciende o apaga la función de superfrío.

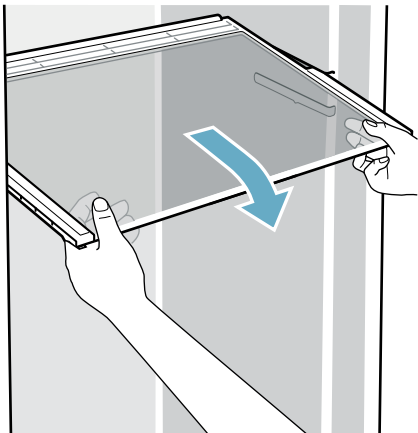
Equipamiento

(no disponible en todos los modelos)

Bandeja

Se puede variar la altura y posición de la bandeja.

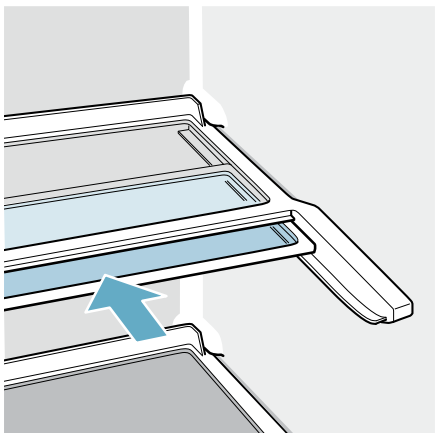
- Desplazar la bandeja hacia fuera y extraerla del aparato.



Estante Vario

Para guardar alimentos o recipientes altos (p. ej. jarras o botellas):

- Retirar la parte delantera del estante y deslizarla debajo de la parte trasera de la misma.



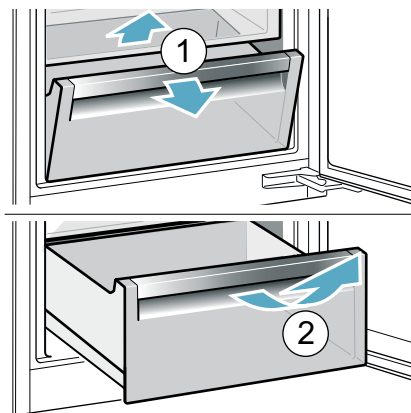
Contenedor para verduras

Se puede retirar el contenedor para verduras:

- Levantar el recipiente por detrás y extraerlo.

Para colocar el recipiente:

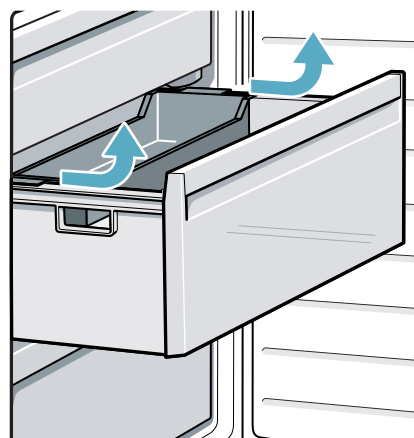
- Colocar el recipiente sobre los carriles telescópicos y empujarlo hacia el interior del aparato.



Cajón de congelación

La bandeja se puede extraer completamente:

1. Desplazar el contenedor hasta el tope y retirarlo del aparato.
2. Levantar el cajón y extraerlo.



Recipiente para productos congelados

Se puede retirar el contenedor para verduras:

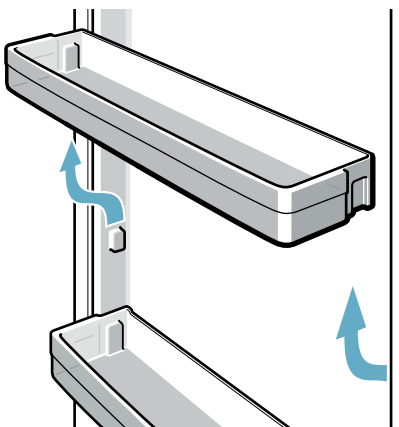
- Extraer el contenedor hasta el tope, levantarlo por la parte frontal y retirarlo del aparato.



Estantes

Puede retirar el estante:

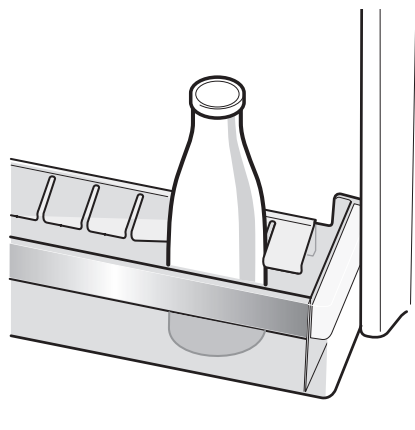
- Levantar el estante y sacarlo.



Contenedor de botellas

Al abrir o cerrar la puerta:

- El contenedor de botellas evita que éstas se caigan al abrir o cerrar la puerta.



Bandeja de hielo

Para preparar cubitos de hielo:

1. Llenar 3/4 partes de la bandeja de hielo con agua y colocarla en el congelador.

Nota: Desprender la bandeja de hielo adherida solo con ayuda de un objeto sin puntas (p. ej. el mango de una cuchara).

2. Para retirar los cubitos de hielo de la bandeja de hielo, colocar la bandeja brevemente debajo del chorro de agua corriente o doblarla ligeramente.

Acumulador de frío

En caso de corte de corriente o avería:

- Los acumuladores de frío retrasan el calentamiento de los productos congelados almacenados.

Nota: El período de almacenamiento es más largo, si se colocan los acumuladores de frío en el compartimento superior, directamente sobre los alimentos.

Puede sacar los acumuladores de frío para mantener los alimentos temporalmente frescos, por ejemplo, en una hielera portátil.

Manejo del electrodoméstico

Conectar el aparato

1. Pulsar la tecla ①.
El aparato comienza a enfriar. Una alarma acústica, la indicación de temperatura parpadeante del congelador y la iluminación de la tecla **alarm** indican que la temperatura en el interior del congelador todavía es demasiado elevada.
2. Pulsar la tecla **alarm**.
La alarma acústica se desactiva.
3. Ajustar la temperatura deseada.
→ "Ajustar la temperatura" en la página 62

Advertencias relativas al funcionamiento del aparato

- Después de encenderlo, el aparato puede necesitar varias horas hasta alcanzar las temperaturas ajustadas. No introducir alimentos en el aparato antes de alcanzar las temperaturas seleccionadas.
- Debido al sistema completamente automático NoFrost, el congelador permanece libre de hielo. La descongelación no es necesaria.
- Los lados frontales del compartimento se calientan en parte ligeramente. Esto evita la condensación en la zona de la junta de la puerta.
- En caso de no poder abrir la puerta del congelador inmediatamente después de cerrarla, aguarde unos instantes hasta que el vacío generado se haya igualado.

Apagar y cerrar el aparato

Apagar el aparato

- Pulsar la tecla ①.
El aparato deja de enfriar.

Desconectar el aparato

Cuando no utilice el aparato por un período prolongado:

1. Pulsar la tecla ①.
El aparato deja de enfriar.
2. Desconectar el enchufe o apagar el fusible.
3. Limpiar el aparato.
4. Dejar el aparato abierto.

Ajustar de la unidad de temperatura

Puede elegir entre la unidad °C y °F.

1. Pulsar la tecla > y mantenerla pulsada.
El valor en la indicación cambia cada medio segundo. Después de que la indicación se apaga durante medio segundo, durante 1 segundo se muestra **F** o **C**:
F cuando se cambia de °C a °F,
C cuando se cambia de °F a °C.
2. Soltar la tecla >.
Se ha modificado la unidad.

Nota: Si se suelta la tecla antes de que finalice el programa, la unidad no se modifica.

Ajustar la temperatura

Temperatura recomendada

Compartimento refrigerador: +39 °F (+4 °C)
Congelador: 0 °F (-18 °C)

Compartimento refrigerador

- Pulsar la tecla </> repetidas veces hasta que la indicación muestre la temperatura deseada.

Compartimento fresco

La temperatura del compartimento fresco se mantiene siempre en torno a los 32 °F (0 °C).

Nota: Si se acumula escarcha sobre los alimentos en el compartimento fresco: ajustar a una temperatura más elevada. → "¿Qué hacer en caso de avería?" en la página 73

Congelador

- Pulsar la tecla </> repetidas veces hasta que la indicación muestre la temperatura deseada.

Super frío

Mediante esta función se enfría el compartimento refrigerador hasta alcanzar la temperatura más baja posible.

Conectar la función de super frío, p. ej.:

- Antes de introducir grandes cantidades de alimentos.
- Para enfriar bebidas rápidamente.

Nota: Si está activada la función de super frío, el nivel sonoro del aparato puede aumentar.

Después de aproximadamente 15 horas, el aparato vuelve a funcionamiento normal.

Activar/desactivar la función de superfrío:

- Pulsar la tecla **super**.
La tecla se ilumina cuando está activada la función de superfrío.

Supercongelación

Mediante la función de supercongelación, el congelador se enfría hasta alcanzar la temperatura más baja posible.

Activar la función de supercongelación, p. ej.:

- para congelar los alimentos rápidamente hasta el núcleo
- 1 ... 2 horas antes de introducir alimentos frescos a partir de una cantidad superior a 2 kg

Nota: Si la función de de supercongelación está activada, puede haber aumento de ruido.

Activar/desactivar la función de supercongelación:

- Pulsar la tecla **super**.
La tecla se ilumina cuando está activada la función de supercongelación.

Modo Vacaciones

En caso de una ausencia prolongada puede cambiar el aparato al modo de ahorro de energía Vacaciones.

La temperatura ajustada en el compartimento refrigerador se modifica automáticamente a 58 °F (+14 °C).

¡Durante este período no guarde alimentos en el compartimento refrigerador!

La temperatura en el congelador permanece invariable.

Activar el modo Vacaciones:

- Pulsar la tecla > del compartimento refrigerador hasta que en la indicación se muestre 9 **Ho**. Al estar activado el modo Vacaciones, la indicación de la temperatura del compartimento refrigerador no muestra ninguna temperatura.

Desactivar el modo Vacaciones:

- Pulsar la tecla < del compartimento refrigerador hasta que en la indicación 9 se muestre la temperatura deseada.

Alarma

Alarma de la puerta

La alarma de la puerta se activa cuando la puerta del aparato permanece abierta durante un tiempo prolongado.

- Cerrar la puerta o pulsar la tecla **alarm**. La alarma acústica se desactiva.

Alarma de temperatura

La alarma de temperatura se activa cuando la temperatura en el interior del congelador es demasiado elevada.

ATENCION

DURANTE LA DESCONGELACIÓN DE LOS ALIMENTOS PUEDEN APARECER BACTERIAS QUE PUEDEN ECHAR A PERDER LOS ALIMENTOS.

No volver a congelar los alimentos que se hayan descongelado o empezado a descongelar.

Solo después de cocinarlos o freírlos, se podrán volver a congelar. El período máximo de almacenamiento ya no se podrá agotar.

Nota: La alarma puede activarse en los casos siguientes, sin que ello represente ningún peligro de deterioro inmediato de los alimentos:

- El aparato se pone en funcionamiento.
- Se colocaron grandes cantidades de alimentos frescos en el interior.
- La puerta del congelador estuvo abierta por mucho tiempo.

Para visualizar la temperatura más elevada registrada y desactivar la alarma acústica:

- Pulsar la tecla **alarm**. La pantalla muestra brevemente la temperatura más elevada registrada en el congelador. A continuación, la pantalla muestra de nuevo la temperatura ajustada. A partir de este momento se vuelve a determinar la temperatura más elevada, quedando ésta almacenada.

Nota: La tecla **alarm** permanece iluminada hasta que se ha alcanzado de nuevo la temperatura ajustada.

Home Connect

Este aparato funciona con Wi-Fi y puede controlarse de forma remota a través de un dispositivo móvil.

Nota: Wi-Fi es una marca registrada de Wi-Fi Alliance.

El aparato funciona, en los siguientes casos, como un aparato para refrigeración sin conexión a la red doméstica y se puede seguir manejando manualmente a través de los mandos:

- El aparato no está conectado a una red doméstica.
- El servicio Home Connect no se ofrece en el país en el que está instalado el aparato. Encontrará una lista de los países en los que se ofrece Home Connect en www.home-connect.com.

Nota: Tenga en cuenta las indicaciones de seguridad de este manual. Asegúrese de respetarlas también cuando utiliza el aparato mediante la aplicación Home Connect desde fuera de casa.

→ "*Indicaciones de seguridad importantes*" en la página 51

Tenga en cuenta también las instrucciones de la aplicación Home Connect.

Configurar Home Connect

Notas


- Tenga en cuenta la hoja adjunta de Home Connect que está disponible para su descarga en <http://www.bosch-home.com> en la sección de las instrucciones. Para ello, introduzca en el cuadro de búsqueda el número de producto (E-Nr.) de su aparato.
- Después de encender el aparato, esperar al menos dos minutos, hasta que concluya la inicialización interna del mismo. Configurar Home Connect una vez concluida.
- Para poder establecer los ajustes a través de Home Connect, la aplicación Home Connect debe estar instalada en su dispositivo móvil. Para ello, tener en cuenta la documentación adjunta de Home Connect.

Siga los pasos indicados en la aplicación para establecer los ajustes.

- Si el aparato no se utiliza durante un tiempo prolongado, el menú Home Connect se cierra automáticamente. Las indicaciones para abrir el menú Home Connect se encuentran al principio de los capítulos correspondientes.

Conexión automática a la red doméstica (WLAN)

Cuando existe un router WLAN con la función WPS, el compartimento refrigerador puede conectarse automáticamente con la red doméstica.


1. Pulsar la tecla .
La indicación de temperatura del compartimento refrigerador muestra **Cn**.
2. Pulsar la tecla </> del compartimento refrigerador hasta que la indicación de temperatura del compartimento refrigerador muestre **AC** y la indicación de temperatura del congelador muestre **OF**.
3. Pulsar la tecla </> del congelador.
El aparato está listo para la conexión automática. La indicación de temperatura del congelador muestra una animación durante 2 minutos. Mientras se visualiza la animación, el aparato está listo para la conexión automática.
4. En esos 2 minutos activar la función WPS en el router de la red doméstica (p. ej. pulsando la tecla WPS/WLAN, consultar la información al respecto en la documentación del router).
Al conectarse con éxito parpadea **On** en la indicación de temperatura del congelador. El refrigerador está listo para conectarse a la aplicación.

Nota: Si la indicación de temperatura del congelador muestra **OF**, no se ha podido establecer una conexión.

1. Comprobar que el refrigerador se encuentre dentro del alcance de la red doméstica (WLAN).
2. Repetir el proceso o realizar la conexión manual.

Conexión manual a la red doméstica (WLAN)


Si el router WLAN existente no dispone de una función WPS o se desconoce, puede conectar el refrigerador manualmente a la red doméstica.

1. Pulsar la tecla .
La indicación de temperatura del compartimento refrigerador muestra **Cn**.
2. Pulsar la tecla </> del compartimento refrigerador hasta que la indicación de temperatura del compartimento refrigerador muestre **SA** y la indicación de temperatura del congelador muestre **OF**.
3. Pulsar la tecla </> del congelador.
El aparato está listo para la conexión manual. La indicación de temperatura del congelador muestra una animación. Mientras se visualiza la animación, el aparato está listo para la conexión manual.
4. El refrigerador ha creado ahora su propia red WLAN con el nombre de red HomeConnect. Puede acceder a esta red con el dispositivo móvil.
5. En el menú de ajustes del dispositivo móvil acceder a los ajustes de WLAN.
6. Conectar el dispositivo móvil a la red WLAN HomeConnect.
Contraseña: HomeConnect

El establecimiento de la conexión puede durar hasta 60 segundos.

7. Una vez establecida la conexión, abrir la aplicación Home Connect en el dispositivo móvil. La aplicación busca el refrigerador.
8. En cuanto se haya encontrado el refrigerador, introducir el nombre de la red (SSID) y la contraseña (Key) de la propia red doméstica (WLAN) en los campos correspondientes.
9. Confirmar con el botón **Transferir a electrodomésticos**.
 - Al conectarse con éxito parpadea **On** en la indicación de temperatura del congelador. Ahora puede conectar el refrigerador con la aplicación.
 - Si en la indicación de temperatura del congelador se muestra **OF**, no se ha podido establecer una conexión. Compruebe que el refrigerador se encuentre dentro del alcance de la red doméstica (WLAN). Repetir el proceso.

Conectar el refrigerador con la aplicación Home Connect


1. Pulsar la tecla .
La indicación de temperatura del compartimento refrigerador muestra **Cn**.
2. Pulsar la tecla </> del compartimento refrigerador hasta que la indicación de temperatura del compartimento refrigerador muestre **PA** y la indicación de temperatura del congelador muestre **OF**.
3. Pulsar la tecla </> del congelador para conectar el aparato con la aplicación.
La indicación de temperatura del congelador muestra una animación. En cuanto el compartimento refrigerador y la aplicación estén conectados, la indicación de temperatura del congelador muestra **On**.
4. Abrir la aplicación y esperar hasta que se muestre el refrigerador.
Con **Añadir** confirmar la conexión entre la aplicación y el refrigerador. Si el refrigerador no se muestra automáticamente, hacer clic en la aplicación en **Añadir aparato** y seguir las instrucciones. En cuanto se muestre el refrigerador, añadirlo con **+**.

- Seguir las instrucciones de la aplicación hasta que el proceso haya finalizado.
La indicación de temperatura del compartimento refrigerador muestra **PA** y la indicación de temperatura del congelador muestra **On**.
El refrigerador se ha conectado con la aplicación.
Si la conexión falla, comprobar si el dispositivo móvil está conectado con la red doméstica (WLAN).
A continuación intentar nuevamente establecer la comunicación.
Si la indicación de temperatura del congelador muestra **Er**, restablecer los ajustes de Home Connect.

Nota: Al restablecer la configuración se restablecen todos los ajustes de Home Connect.


Comprobar la intensidad de la señal

La intensidad de la señal se debe comprobar cuando no funcione el establecimiento de la conexión.

- Pulsar la tecla .
La indicación de temperatura del compartimento refrigerador muestra **Cn**.
- Pulsar la tecla \langle / \rangle del compartimento refrigerador hasta que la indicación de temperatura del compartimento refrigerador muestre **SI**. En la indicación de temperatura del congelador aparece un valor entre 0 (no hay recepción) y 3 (recepción completa).
El valor de intensidad de la señal debería ser 2 como mínimo. Si la intensidad de la señal es demasiado baja, puede interrumpirse la conexión.
 - Coloque el router y el refrigerador más cerca uno de otro.
 - Asegúrese de que la conexión no está interrumpida por paredes de apantallamiento.
 - O bien instale un repetidor para intensificar la señal.

Restablecer los ajustes de Home Connect

Si al intentar establecer la conexión se produce un problema o si desea registrar el aparato en otra red doméstica (WLAN), los ajustes de Home Connect pueden restablecerse:

- Pulsar la tecla .
La indicación de temperatura del compartimento refrigerador muestra **Cn**.
- Pulsar la tecla \langle / \rangle del compartimento refrigerador hasta que la indicación de temperatura del compartimento refrigerador muestre **rE** y la indicación de temperatura del congelador muestre **OF**.
- Pulsar la tecla \langle / \rangle del congelador.
La indicación de temperatura del congelador muestra una animación durante 15° segundos.
A continuación, la indicación de temperatura del congelador muestra **OF**.
Los ajustes de Home Connect se han restablecido.


Instalar la actualización de software de Home Connect

El refrigerador comprueba a intervalos regulares si existen actualizaciones para el software de Home Connect.

Si está disponible una actualización, la indicación de temperatura del compartimento refrigerador muestra **UP**.

Pulsando cualquier tecla, la indicación se restablece a la temperatura establecida.

Instalar actualización:

- Pulsar la tecla .
La indicación de temperatura del compartimento refrigerador muestra **Cn**.
- Pulsar la tecla \langle / \rangle del compartimento refrigerador hasta que la indicación de temperatura del compartimento refrigerador muestre **UP** y la indicación de temperatura del congelador muestre **OF**.
- Pulsar la tecla \langle / \rangle del congelador.
La indicación de temperatura del congelador muestra una animación.
La actualización se está instalando.
Durante la instalación, todas las teclas están bloqueadas.
 - Si la instalación se ha realizado correctamente, la indicación de temperatura del congelador muestra **On**.
 - Si no se pudo realizar la instalación, la indicación de temperatura del congelador muestra **Er**.
Volver a iniciar la actualización posteriormente.
Si la instalación no se ha podido completar después de varios intentos, notificar al Servicio de Atención al Cliente.

Indicaciones sobre protección de datos

Al conectar por primera vez su aparato Home Connect a una red WLAN asociada a Internet, el aparato transmite las siguientes categorías de datos al servidor de Home Connect (registro inicial):

- Identificación única del aparato (compuesta por la clave del aparato y la dirección MAC del módulo de comunicación wifi utilizado).
- Certificado de seguridad del módulo de comunicación Wi-Fi (para la protección técnica de la información de la conexión).
- Las versiones actuales del software y el hardware del electrodoméstico.
- El estado de un posible restablecimiento previo a los ajustes de fábrica iniciales.

El registro inicial prepara la utilización de las funciones Home Connect y solo es necesario la primera vez que se vayan a utilizar las funciones Home Connect.

Nota: Se debe tener en cuenta que las funciones Home Connect solo se pueden utilizar en conexión con la aplicación Home Connect. Se puede consultar la información relativa a la protección de datos en la aplicación Home Connect.

Compartimento refrigerador

El compartimento refrigerador es el lugar ideal para guardar productos lácteos, huevos, platos cocinados, productos de panadería, conservas abiertas y queso curado.

La temperatura se puede ajustar entre 36 °F ... 43 °F (+2 °C ... +6 °C).

Con la conservación en frío también puede conservar a corto y medio plazo alimentos perecederos. Una temperatura de +39 °F (+4 °C) o más baja es óptima para la frescura e higiene de los alimentos guardados.

Puntos a observar al guardar los alimentos

- Guarde alimentos frescos y en perfectas condiciones.
De este modo conservarán su calidad y frescura durante más tiempo.
- En el caso de productos precocinados o alimentos envasados, deberán observarse las fechas de caducidad o de consumo señaladas por el fabricante.
- Para conservar el aroma, color y frescura, guarde los alimentos bien envueltos o cubiertos.
De esta manera se evita la mezcla de olores y sabores, así como la descoloración de las piezas de plástico.
- Dejar enfriar los alimentos o bebidas calientes hasta una temperatura ambiente antes de introducirlos en el compartimento refrigerador.

Prestar atención a las diferentes zonas de frío del compartimento refrigerador

En función de la circulación del aire en el interior del compartimento refrigerador, se crean diferentes zonas de frío.

La zona más fría

La zona más fría se encuentra en la placa separadora y el botellero para guardar botellas grandes.

La zona menos fría

La zona menos fría se encuentra en la parte superior de la cara interior de la puerta.

Notas

- Guarde en la zona menos fría, p. ej. el queso curado y la mantequilla. De esta manera el queso puede desarrollar su aroma y la mantequilla permanece untable.
- Guardar los alimentos más delicados (p. ej. pescado, embutidos y carne) en el compartimento fresco. → "Compartimento fresco" en la página 68

Compartimento fresco

La temperatura del compartimento fresco se mantiene siempre en torno a los 32 °F (0 °C).

La baja temperatura y el grado de humedad del aire óptimo proporcionan unas condiciones ideales para guardar los alimentos frescos.

Gracias al compartimento fresco, los alimentos frescos se pueden guardar hasta tres veces más tiempo que en el compartimento refrigerador, conservando así durante más tiempo su frescura y valores nutritivos, así como su buen sabor.

Contenedor para verduras

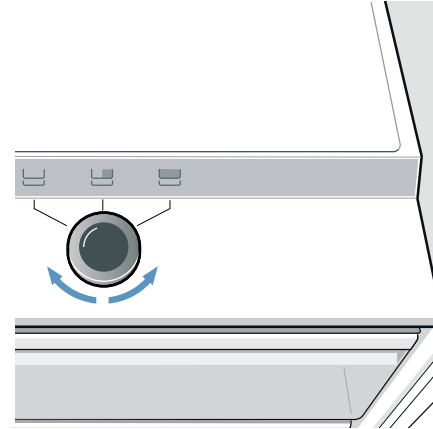
El contenedor para verduras es el lugar ideal para guardar frutas y verduras frescas. En el contenedor para verduras, la humedad del aire se puede ajustar a través de un mando regulador de la placa separadora y un cierre especial.

La humedad del aire en el contenedor para verduras se puede ajustar de acuerdo con el tipo y la cantidad de alimento que se vaya a almacenar:

- principalmente fruta, así como una gran cantidad de alimentos – ajustar un menor nivel de humedad del aire
- principalmente verdura, alimentos diversos o una pequeña cantidad de alimentos – ajustar un mayor nivel de humedad del aire

Notas

- Las frutas (por ejemplo, piñas, plátanos, papayas y cítricos) y las verduras (berenjenas, pepinos, calabacines, pimientos, tomates y patatas) sensibles al frío deberán guardarse fuera del aparato a una temperatura de aprox. +46 °F ... +54 °F (+8 °C ... +12 °C), a fin de conservar óptimamente su calidad y sabor.
- Dependiendo de la cantidad y el tipo de productos almacenados se puede formar agua de condensación en el contenedor para verduras.
Retire el agua de condensación con un paño seco y ajuste la humedad del aire en el contenedor para verduras a través del regulador de humedad.



Cajón fresco

Las condiciones de almacenamiento reinantes en el cajón fresco son ideales para guardar pescado, carne y embutido.

Tiempos de conservación a 32 °F (0 °C)

Los tiempos de conservación dependen de la calidad de partida del producto.

Pescado fresco, mariscos:	hasta 3 días
Aves, carne (cocida/asada):	hasta 5 días
Carne de vaca (buey), cerdo, cordero, embutido (cortado):	hasta 7 días
Pescado ahumado, brócoli:	hasta 14 días
Lechugas, hinojo, albaricoques, ciruelas:	hasta 21 días
Queso blando, yogur, requesón, suero de mantequilla (mazada), coliflor:	hasta 30 días

Congelador

El congelador es adecuado para:

- El almacenamiento de alimentos congelados
- La producción de cubitos de hielo
- Congelar alimentos

La temperatura se puede ajustar entre +5 °F ... -8 °F (-15 °C ... -22 °C).

Mediante el almacenamiento en el congelador puede conservar los alimentos perecederos durante largo tiempo sin que sufran prácticamente pérdidas en su calidad, debido a que las bajas temperaturas ralentizan fuertemente o incluso detienen los procesos de deterioro. El aspecto, el aroma y todos los ingredientes valiosos se conservan en su mayor parte.

El almacenamiento de alimentos durante largos periodos de tiempo deberá efectuarse a una temperatura de 0 °F (-18 °C) o más baja (más fría).

El intervalo de tiempo entre el almacenamiento de los alimentos frescos y la congelación total depende de los siguientes factores:

- temperatura ajustada
- tipo de alimento
- cantidad de alimentos guardados en el congelador
- cantidad y tipo del almacenamiento

Aprovechar toda la capacidad de congelación del aparato

Para introducir la mayor cantidad de productos congelados:

- Retirar todas las piezas de equipamiento.
- Colocar los alimentos directamente sobre la bandeja y el piso del congelador.

Al comprar alimentos congelados

- Asegúrese de que el envase no está dañado.
- Tenga en cuenta la fecha de caducidad.
- La temperatura en el mostrador de ventas debe ser 0 °F (-18 °C) o más fría.
- No debe interrumpirse la cadena de frío: transporte los alimentos congelados en una bolsa térmica y póngalos rápidamente en el congelador.

Al ordenar prestar atención

- Congelar las cantidades más grandes de alimentos en el estante superior. Allí se congelan particularmente rápido y en forma óptima.
- Colocar los alimentos distribuyéndolos ampliamente en los compartimentos o recipientes del congelador.
- Los alimentos congelados no deben entrar en contacto con los alimentos frescos que se desean congelar. En caso necesario, vuelva a apilar los alimentos congelados en los recipientes del congelador.
- Para asegurar una buena circulación de aire en el aparato, es importante: Introducir los recipientes del congelador hasta el tope.

Congelar los alimentos frescos

Para congelar utilice únicamente alimentos frescos y en buen estado.

Los alimentos que se consumen cocidos, fritos u horneados son más adecuados para la congelación que los alimentos que se consumen crudos.

Antes de congelar, se deben llevar a cabo los procesos de preparación según el tipo de alimento para preservar el valor nutritivo, el aroma y el color de la mejor forma posible:

- Verdura: lavarla, picarla, escaldarla.
- Fruta: lavarla, quitarle las semillas y eventualmente pelarla. Dado el caso, añadirle azúcar o una solución de ácido ascórbico.

Encontrará las indicaciones en la bibliografía especializada.

Alimentos adecuado para congelar

- Productos de panadería
- Pescado y mariscos
- Carne
- Carnes de caza y aves de corral
- Verduras, frutas y hierbas
- Huevos sin cáscara
- Productos lácteos tales como queso, mantequilla y requesón
- Platos cocinados y sobras de comida, como por ejemplo sopas, estofados, carnes o pescados cocinados, platos de patatas, guisos y postres

Alimentos no adecuados para congelar

- Verduras que se consumen normalmente crudas, como por ejemplo lechugas o rabanitos
- Huevos con su cáscara o huevos duros
- Uvas
- Manzanas enteras, peras y melocotones
- Yogur, leche agria, crema agria, crema fresca y mayonesa

Envasado de los productos congelados

El tipo correcto de los envases y materiales son determinantes en gran medida para conservar la calidad del producto y evitar el desarrollo de las quemaduras por congelación.

1. Introducir los alimentos en el envase.
2. Eliminar el aire.
3. Sellar el envase herméticamente, para que los alimentos no pierdan su sabor o se deshidraten.
4. Etiquetar los envases con el contenido y la fecha de congelación.

Materiales indicados para el envasado:

- Película plástica
- Rollos de película de polietileno (PE)
- Papel de aluminio
- Recipientes para congelar

Cierres adecuados:

- Anillos de goma
- Clips de plástico
- Cinta adhesiva no congelable

Materiales no apropiados para el envasado:

- Papel de estraza
- Papel de pergamino
- Celofán
- Bolsas de basura y bolsas de compra ya usadas

Tiempo de conservación de los productos congelados a 0 °F (-18 °C)

Pescado, embutidos, comidas preparadas, productos de panadería:	hasta 6 meses
Aves de corral, carne:	hasta 8 meses
Fruta, verdura:	hasta 12 meses

Calendario de congelación

El calendario de congelación impreso indica en meses el plazo máximo de conservación de los alimentos a una temperatura de 0 °F (-18 °C).

Descongelar los productos congelados

El método de descongelación se deberá adaptar al tipo de alimento y al objetivo de utilización, para mantener la calidad del producto lo mejor posible.

Métodos de descongelación:

- En el refrigerador (especialmente adecuado para alimentos de origen animal como pescado, carne, queso y requesón)
- A temperatura ambiente (pan)
- Microondas (alimentos para ser preparados y consumidos de forma inmediata)
- Horno/estufa (alimentos para ser preparados y consumidos de forma inmediata)

ATENCION

No volver a congelar los alimentos que se hayan descongelado o empezado a descongelar. Solo los podrá volver a congelar después de haberlos preparado (cocido o frito).

Ya no se debe utilizar el tiempo máximo de almacenamiento de los productos congelados.

Descongelación

Compartimento refrigerador

El desescarchado se realiza automáticamente.

Congelador

Debido al sistema completamente automático NoFrost, el congelador permanece libre de hielo. La descongelación ya no es necesaria.

Limpiar

ATENCION

EVITAR DAÑOS AL APARATO Y PIEZAS DEL EQUIPAMIENTO.

- No utilizar detergentes y disolventes que contengan arena, cloro o ácidos.
- No emplear esponjas abrasivas. En las superficies metálicas podría producirse corrosión.
- No limpiar nunca las bandejas y recipientes en el lavavajillas. Las piezas pueden deformarse.

Proceder como se indica a continuación:

1. Desconectar el aparato.
2. Desconectar el enchufe o apagar el fusible.
3. Retirar los alimentos y guardarlos en un lugar fresco. Cuando estén disponibles: coloque acumuladores de frío sobre los alimentos.
4. Si existe una capa de escarcha, esperar hasta que se haya descongelado.
5. Limpiar el aparato con un paño suave, agua tibia y un poco de detergente para platos con pH neutro.

ATENCION

El agua de lavado no debe entrar en la iluminación o por el agujero de drenaje a la zona de evaporación.

6. Limpiar la junta de la puerta con agua limpia y secarla bien.
7. Volver a conectar el aparato, encenderlo e introducir los alimentos.

Limpiar los accesorios

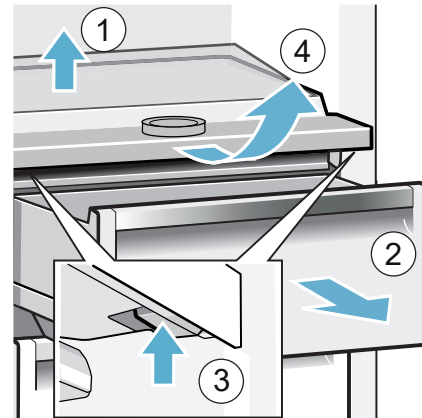
Para la limpieza, extraer los elementos variables del aparato.

→ "Equipamiento" en la página 60

Placa separadora y tapa del contenedor para verduras

Retirar la placa separadora

- Retirar la placa de cristal, presionar por ambos lados las palancas situadas en la parte de debajo, desplazar la placa separadora hacia delante, levantarla y extraerla inclinándola lateralmente.

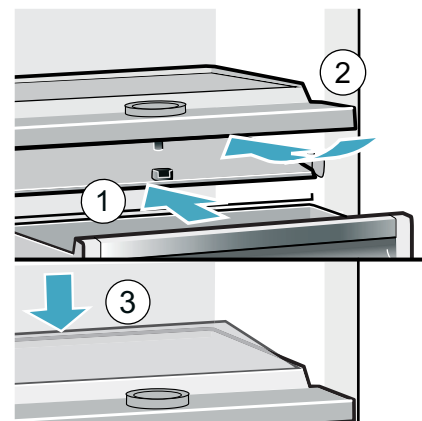


Retirar la tapa del contenedor para verduras

- Levantar ligeramente la tapa, desplazarla hacia adelante y extraerla inclinándola por uno de sus laterales.

Colocar la tapa del contenedor para verduras y la placa separadora

1. Montar la tapa del contenedor para verduras.
2. Colocar la placa separadora.
3. Montar la placa de cristal.



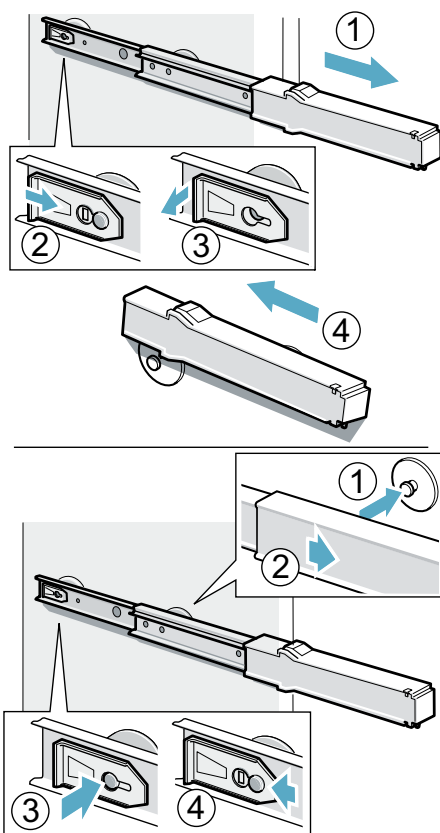
Carriles telescópicos

Desmontar los carriles telescópicos

1. Extraer el carril telescópico.
2. Desplazar el bloqueo en la dirección que marca la flecha.
3. Soltar el carril telescópico del tirafondo posterior.
4. Replegar el carril telescópico, desplazarlo hacia atrás por encima del tirafondo posterior y desenclavarlo.

Montar los carriles telescópicos

1. Montar el carril telescópico en posición desplegada sobre el tirafondo delantero.
2. Tirar del carril telescópico ligeramente hacia delante para hacerlo enclavar.
3. Montar el carril en el tirafondo posterior.
4. Desplazar el bloqueo hacia atrás.



Olores

En caso de detectar olores desagradables:

1. Apagar el aparato con la tecla para conexión y desconexión ①.
2. Retirar todos los alimentos del aparato.
3. Limpiar el interior del aparato. → "Limpiar" en la página 71
4. Limpiar todos los embalajes.
5. Envasar herméticamente los alimentos de olor fuerte para evitar la formación de olores.
6. Encender el aparato de nuevo.
7. Acomodar los alimentos.
8. Verificar después de 24 horas si hay olores de nuevo.

Iluminación

Su aparato está equipado con una iluminación LED exenta de mantenimiento.

Sólo el Servicio al cliente o el personal autorizado puede reparar la iluminación.

Ruidos

Ruidos normales

Zumbido: Un motor está en marcha, por ejemplo, unidad de refrigeración, ventilador.

Burbujear, zumbar o borbotear: el refrigerante fluye a través de los tubos.

Cliquear: motor, interruptor o válvulas de solenoide, un interruptor de encendido o apagado.

Crujir: Se está realizando la descongelación automática.

Evitar ruidos

El aparato está desnivelado: Nivelar el aparato con ayuda de un nivel de burbuja. Calzar el aparato en caso necesario.

Los recipientes, bandejas o estantes vibran o están atascados: Verificar los elementos desmontables y, en caso necesario, colocarlos nuevamente.

Las botellas o recipientes entran en contacto mutuo: Separar un poco las botellas o los recipientes.

¿Qué hacer en caso de avería?

Antes de llamar al Servicio al cliente, intente solucionar el problema, utilizando esta tabla.

La temperatura difiere considerablemente del valor ajustado.

Apagar el aparato durante 5 minutos.
 → "Apagar y cerrar el aparato" en la página 62
 Si la temperatura es demasiado alta, vuelva a comprobarla después de unas pocas horas.
 Si la temperatura es demasiado baja, vuelva a comprobarla al día siguiente.

No se ilumina ninguna indicación.

El enchufe no está correctamente insertado.	Conectar el enchufe.
El fusible se fundió.	Compruebe los fusibles.
Se interrumpió el suministro eléctrico.	Verificar si hay corriente.

El indicador muestra E....

El sistema electrónico ha detectado una falla.	Llamar al Servicio de Atención al Cliente. → "Servicio de Atención al Cliente" en la página 74
--	---

Se escucha una alarma acústica y la tecla alarm se ilumina.

	Pulsar la tecla alarm . La alarma está desactivada.
La puerta del aparato está abierta.	Cerrar la puerta del aparato.
Las aberturas de ventilación y aireación están obstruidas.	Despejar las aberturas de ventilación y aireación.
Se colocaron grandes cantidades de alimentos frescos en el interior.	No exceder la capacidad máxima de congelación del aparato.

La indicación parpadea, la alarma acústica suena y la tecla alarm se ilumina.

	Pulsar la tecla alarm . La alarma está desactivada.
La puerta del aparato está abierta.	Cerrar la puerta del aparato.
Las aberturas de ventilación y aireación están obstruidas.	Despejar las aberturas de ventilación y aireación.
Se colocaron grandes cantidades de alimentos frescos en el interior.	No exceder la capacidad máxima de congelación del aparato.

La indicación parpadea.

La temperatura del congelador era demasiado elevada.	Después de pulsar la tecla alarm se muestra durante 5 segundos la temperatura más elevada registrada en el congelador. Pulsar la tecla alarm . La indicación ya no parpadea.
--	--

El aparato no enfría, se ilumina la pantalla y la iluminación.

El modo de exposición está encendido.	Iniciar la autoprueba del aparato. → "Autoprueba del aparato" en la página 74 Después de concluido el programa, el aparato volverá al modo de funcionamiento normal.
---------------------------------------	--

La temperatura en el compartimento fresco es demasiado elevada o demasiado baja.

El valor estándar ajustado es demasiado elevado o demasiado bajo (p. ej., escarcha en el compartimento fresco).

Puede ajustar la temperatura en el compartimento refrigerador de +37 °F ... a +27 °F (+3 °C ... -3 °C). De forma predeterminada, la temperatura en el compartimento refrigerador está ajustada a +32 °F (0 °C).

1. Pulse la tecla **super** del compartimento refrigerador y manténgala pulsada hasta que la indicación de temperatura del compartimento refrigerador parpadee.
2. Pulse la tecla </> del compartimento refrigerador para modificar el ajuste.
La temperatura ajustada se guarda al cabo de un minuto.



Servicio de Atención al Cliente

Si fuera necesario cambiar el sentido de apertura de la puerta, le aconsejamos realizarlo a través de nuestro Servicio de Atención al Cliente. Los costos para cambiar el sentido de apertura de la puerta los puede consultar a su Servicio de Atención al Cliente correspondiente.

Antes de llamar al Servicio de Atención al Cliente compruebe si usted mismo puede eliminar la avería o fallo.

Después de la consulta en el capítulo correspondiente puede recibir ayuda adicional llamando al Bosch Customer Support Center, 1-800-944-2904 (sin costo) desde cualquier punto de los E.E. U.U.

En Canadá, por favor, póngase en contacto con su Servicio de Atención al Cliente Bosch o llame al número 1-800-944-2904.

Anote la siguiente información de su aparato y téngala disponible para que le podamos atender mejor, en caso de que necesite asistencia por parte del Servicio de Atención al Cliente.

Nombre del comerciante:	
Dirección:	
Número de teléfono:	
Fecha de compra:	
Número del modelo:	
Número de fabricación (FD):	
Número de serie	
Tipo	

Autopueba del aparato

Su aparato dispone de un programa automático de autopueba que le indica las fallas, que su Servicio al cliente puede solucionar.

1. Apagar el aparato y esperar 5° minutos.
 2. Encender el aparato.
 3. Durante los primeros 10 segundos pulsar la tecla **super** congelador durante 3 ... 5 segundos y mantenerla pulsada hasta que suene una señal acústica.
Arranca el programa de autocomprobación. Durante la prueba automática suena una señal acústica prolongada.
- Si al finalizar la prueba automática suenan 2 señales acústicas y se muestra la temperatura ajustada, su aparato se encuentra en perfecto estado.
 - Si al finalizar la prueba automática suenan 5 señales acústicas y la tecla **super** congelador parpadea durante 10 segundos, deberá avisar al servicio de asistencia técnica.

Una vez concluido el programa, el aparato volverá al modo de funcionamiento normal.

Declaración de garantía

Informaciones detalladas sobre la garantía las encontrará en la declaración de la garantía limitada del producto adjunta.



BSH Home Appliances Corporation

1901 Main Street, Suite 600,
Irvine CA 92614, USA

www.bosch-home.com



800114098 (9906)
en-us, fr-ca, es-mx