

Register your  
appliance and join  
the Bosch  
family of perks:  
[bosch-home.com/us/  
mybosch](https://bosch-home.com/us/mybosch)



# Freezer refrigerator

**B36CD..**

<b>[en-us]</b>	Use and Care Manual	Freezer refrigerator	2
<b>[fr-ca]</b>	Manuel d'utilisation	Réfrigérateur / congélateur combiné	29
<b>[es-mx]</b>	Manual del usuario	Refrigerador/congelador	57

Further information and explanations are available online:



## Table of contents

<b>1 Safety</b> .....	<b>3</b>	8.5 Freshness mode .....	14
1.1 Safety definitions.....	3	8.6 Interior lighting .....	14
1.2 General information.....	3	8.7 Sabbath mode .....	14
1.3 Intended use .....	3	8.8 Filter change notification .....	14
1.4 Restrictive Use.....	3	8.9 Filter change status .....	14
1.5 Safe transport .....	3	<b>9 Alarm</b> .....	<b>15</b>
1.6 Safe installation.....	3	9.1 Door alarm.....	15
1.7 Safe use.....	4	9.2 Temperature alarm .....	15
1.8 Damaged appliance .....	4	<b>10 Home Connect™</b> .....	<b>15</b>
1.9 State of California Proposition 65 Warnings .....	5	10.1 Setting up Home Connect™ .....	15
<b>2 Preventing material damage</b> .....	<b>6</b>	10.2 Checking the signal strength.....	16
<b>3 Environmental protection and energy-saving</b> .....	<b>6</b>	10.3 Installing updates for the Home Connect soft- ware.....	16
3.1 Disposal of packaging .....	6	10.4 Resetting the Home Connect™ settings .....	16
3.2 Saving energy .....	6	10.5 Remote diagnostics .....	16
<b>4 Installation and connection</b> .....	<b>6</b>	10.6 Data Protection .....	16
4.1 Included in delivery .....	6	<b>11 Refrigerator compartment</b> .....	<b>16</b>
4.2 Criteria for the installation location .....	6	11.1 Tips for storing food in the refrigerator compart- ment .....	16
4.3 Installing the appliance.....	7	11.2 Chill zones in the refrigerator compartment.....	17
4.4 Preparing the appliance for first use .....	7	<b>12 Freezer compartment</b> .....	<b>17</b>
4.5 Connecting the appliance to the drinking water connection .....	7	12.1 Tips for storing food in the freezer compartment .....	17
4.6 Connecting the appliance to the electricity supply .....	7	12.2 Tips for freezing fresh food .....	17
<b>5 Familiarizing yourself with your appliance</b> .....	<b>8</b>	12.3 Defrosting methods for frozen food .....	17
5.1 Appliance .....	8	<b>13 Water system</b> .....	<b>17</b>
5.2 Control panel.....	9	13.1 Water filter .....	17
5.3 Control panel (submenu).....	10	13.2 Ice and water dispenser .....	18
5.4 Control panel and controls (ice and water dis- penser).....	11	<b>14 Defrosting</b> .....	<b>19</b>
<b>6 Features</b> .....	<b>11</b>	14.1 Defrosting in the refrigerator compartment.....	19
6.1 Shelf .....	11	14.2 Defrosting in the freezer compartment .....	19
6.2 Storage container.....	11	<b>15 Cleaning and maintenance</b> .....	<b>19</b>
6.3 Fruit and vegetable container with humidity con- troller.....	11	15.1 Preparing the appliance for cleaning.....	19
6.4 Container divider.....	12	15.2 Cleaning the appliance .....	20
6.5 Frozen food pull-out container.....	12	15.3 Cleaning the drip tray.....	20
6.6 Suspended frozen food container.....	12	15.4 Removing the fittings .....	20
6.7 Door rack .....	12	15.5 Removing the appliance components .....	22
6.8 Ice storage container.....	12	<b>16 Troubleshooting</b> .....	<b>25</b>
<b>7 Basic Operation</b> .....	<b>13</b>	<b>17 Storage and disposal</b> .....	<b>27</b>
7.1 Switching on the appliance.....	13	17.1 Taking the appliance out of operation .....	27
7.2 Operating tips.....	13	17.2 Disposal of your old appliance .....	28
7.3 Switching off the appliance.....	13	<b>18 Customer Service</b> .....	<b>28</b>
7.4 Setting the temperature unit .....	13	18.1 Model number (E-Nr.) and production number (FD) .....	28
7.5 Setting the temperature.....	13	<b>19 Technical specifications</b> .....	<b>28</b>
<b>8 Additional functions</b> .....	<b>13</b>		
8.1 Super cooling .....	13		
8.2 Super freezing.....	13		
8.3 Vacation mode .....	13		
8.4 Energy-saving mode .....	14		



# IMPORTANT SAFETY INSTRUCTIONS

## READ AND SAVE THESE INSTRUCTIONS

Observe the following safety instructions.

### 1.1 Safety definitions

Here you can find explanations of the safety signal words used in this manual.

#### **WARNING**

This indicates that death or serious injuries may occur as a result of non-observance of this warning.

#### **CAUTION**

This indicates that minor or moderate injuries may occur as a result of non-observance of this warning.

#### **NOTICE:**

This indicates that damage to the appliance or property may occur as a result of non-compliance with this advisory.

**Note:** This alerts you to important information and/or tips.

### 1.2 General information

- Read this manual carefully.
- Keep the manual and the product information in a safe place for future reference or for the next owner.
- Do not connect the appliance if it has been damaged in transit.

### 1.3 Intended use

Only use this appliance:

- for chilling and freezing food, for dispensing ice and water.
- In private households and in enclosed spaces in a residential environment.
- Up to an altitude of 13,100 ft (4000 m) above sea level.

### 1.4 Restrictive Use

This appliance is not intended for use by persons (including children) with reduced physical, sensory or mental capabilities, or lack of experience and knowledge, unless they have been given supervision or instruction concerning use of the appliance by a person responsible for their safety.

Do not let children play with the appliance.

Cleaning and user maintenance must not be performed by children unless they are being supervised.

### 1.5 Safe transport

#### **WARNING**

The high weight of the appliance may result in injury when lifted.

- ▶ Do not lift the appliance on your own.

### 1.6 Safe installation

#### **WARNING**

Incorrect installation is dangerous.

- ▶ Connect and operate the appliance only in accordance with the specifications on the rating plate.
- ▶ Connect the appliance to a power supply with alternating current only via a correctly installed socket outlet with grounding.
- ▶ The protective conductor system of the domestic electrical installation must be properly installed.
- ▶ Never equip the appliance with an external switching device, e.g. a timer or remote control.
- ▶ When the appliance is installed, the power plug of the power cord must be freely accessible. If free access is not possible, an all-pole isolating switch must be integrated in the permanent electrical installation according to the installation regulations.
- ▶ When installing the appliance, check that the power cord is not trapped or damaged.

If the insulation of the power cord is damaged, that can be dangerous.

- ▶ Never let the power cord come into contact with heat sources.

#### **WARNING**

If the appliance's ventilation openings are sealed, a leak in the refrigeration circuit may result in a flammable mixture of gas and air.

- ▶ Keep ventilation openings, in the appliance enclosure or in the built-in structure, clear of obstruction.

#### **WARNING**

It is dangerous to use an extended power cord and non-approved adapters.

- ▶ Do not use extension cords or multiple socket strips.
- ▶ Only use adapters and power cords approved by the manufacturer.



# IMPORTANT SAFETY INSTRUCTIONS

## READ AND SAVE THESE INSTRUCTIONS

---

- ▶ If the power cord is too short and a longer one is not available, please contact an electrician to have the domestic installation adapted.

Portable multiple socket strips or portable power supply units may overheat and cause a fire.

- ▶ Do not place portable multiple socket strips or power supply units on the back of the appliance.

### 1.7 Safe use

#### WARNING

Moisture intrusion may cause an electric shock.

- ▶ Use the appliance in enclosed spaces only.
- ▶ Never expose the appliance to intense heat or humidity.
- ▶ Do not use any steam cleaners or high-pressure cleaners to clean the appliance.

#### WARNING

Children may pull packaging material over their heads, or wrap themselves up in it and suffocate.

- ▶ Keep packaging material away from children.
- ▶ Do not allow children to play with packaging material.

Children may breathe in or swallow small parts, causing them to suffocate.

- ▶ Keep small parts away from children.
- ▶ Do not allow children to play with small parts.

#### WARNING

If the cooling circuit is damaged, flammable refrigerant may escape and explode.

- ▶ To accelerate the defrosting process, do not use any other mechanical devices or means other than those recommended by the manufacturer.
- ▶ If food is stuck to the freezer compartment, loosen it with a blunt implement such as the handle of a wooden spoon.

Products which contain flammable propellants and explosive substances may explode, e.g. spray cans.

- ▶ Do not store products which contain flammable propellants (e.g. spray cans) or explosive substances in the appliance.

#### WARNING

Electrical devices within the appliance may cause a fire, e.g. heaters or electric ice makers.

- ▶ Do not operate electrical devices within the appliance.

#### WARNING

Containers which contain carbonated drinks may burst.

- ▶ Do not store containers which contain carbonated drinks in the freezer compartment.

Injury to the eyes caused by escaping flammable refrigerant and hazardous gases.

- ▶ Do not damage the tubes of the refrigerant circuit or the insulation.

The appliance may tip.

- ▶ Do not stand or lean on the base, runners or doors.

#### WARNING

Contact with frozen food and cold surfaces may cause burns by refrigeration.

- ▶ Never put frozen food straight from the freezer compartment into your mouth.
- ▶ Avoid prolonged skin contact with frozen food, ice and surfaces in the freezer compartment.

#### CAUTION

To prevent food from being contaminated, you must observe the following instructions.

- ▶ Leaving the door open for an extended period of time may lead to a considerable temperature increase in the compartments of the appliance.
- ▶ Regularly clean the surfaces that may come into contact with food and accessible drain systems.
- ▶ Store raw meat and fish in suitable containers in the refrigerator so that they do not touch or drip on other food.
- ▶ If the fridge/freezer is empty for an extended period of time, switch off the appliance, defrost it, clean it and leave the door open to prevent the formation of mold.

Metal or metal-style parts in the appliance may contain aluminum. If acidic food comes into contact with aluminum in the appliance, aluminum ions may pass into the food.

- ▶ Do not consume soiled food.

### 1.8 Damaged appliance

#### WARNING

If the appliance or the power cord is damaged, this is dangerous.

- ▶ Never operate a damaged appliance.
- ▶ Never pull on the power cord to unplug the appliance. Always unplug the appliance at the power outlet.



# IMPORTANT SAFETY INSTRUCTIONS

## READ AND SAVE THESE INSTRUCTIONS

---

- ▶ If the appliance or the power cord is damaged, immediately unplug the power cord or switch off the breaker in the circuit breaker box and turn off the water tap.
- ▶ Call Customer Service. → *Page 28*

Improper repairs are dangerous.

- ▶ Only original spare parts may be used to repair the appliance.
- ▶ If the power cord of this appliance becomes damaged, it must be replaced with a specific connection cord, which is available from the manufacturer or the manufacturer's Customer Service.

### WARNING



If the tubes are damaged, flammable refrigerant and harmful gases may escape and ignite.

- ▶ Keep open flames and ignition sources away from the appliance.
- ▶ Ventilate the room.
- ▶ Switch off the appliance. → *Page 13*
- ▶ Unplug the appliance from the power source or switch off the circuit breaker in the fuse box.
- ▶ Call Customer Service. → *Page 28*

## 1.9 State of California Proposition 65 Warnings

This product may contain a chemical known to the State of California, which can cause cancer or reproductive harm. Therefore, the packaging of your product may bear the following label as required by California:

STATE OF CALIFORNIA PROPOSITION 65 WARNING: /  
 AVERTISSEMENT ISSUE DE LA PROPOSITION 65  
 DE L'ÉTAT DE LA CALIFORNIE:



**WARNING /**  
**AVERTISSEMENT**

Cancer and Reproductive Harm / Cancer et dommages à la  
 reproduction - [www.P65Warnings.ca.gov](http://www.P65Warnings.ca.gov).

## 2 Preventing material damage

### NOTICE:

The high weight of the appliance or, if not rolling in a straight line, the appliance's castors may damage the floor when the appliance is moved.

- ▶ Transport the appliance using a hand-cart.
- ▶ Use floor protection when moving the appliance, and do not move it in a zigzag fashion.

When the appliance door is closed, the mullion rail should be closed (flush with the door edge) or damage may occur.

- ▶ Never open the mullion rail manually.
- ▶ If the mullion rail has been opened, rotate it closed (flush with the door edge) before closing the appliance door.

Using the base, runners or appliance doors as a seat or climbing surface may damage the appliance.

- ▶ Do not stand or lean on the base, runners or doors.
- If the water pressure is too high or too low, this may impair functioning of the appliance.
- ▶ Make sure that the water pressure in the water supply system is at least 29 psi (200 kPa) and max. 116 psi (800 kPa).
  - ▶ If the water pressure exceeds the maximum value specified, a pressure-reducing valve must be installed between the drinking water connection and the hose set of the appliance.

Modified or damaged water hoses may result in material damage and damage to the appliance.

- ▶ Never kink, crush, modify or cut through water hoses.
- ▶ Never re-use water hoses that have been used before.
- ▶ Never pull on the water hose on the rear panel of the appliance.

Contamination with oil or fat may cause plastic parts and door seals to become porous.

- ▶ Keep plastic parts and door seals free of oil and grease.
- Metal or metal-style parts in the appliance may contain aluminum. Aluminum reacts when it comes into contact with acidic foods.
- ▶ Do not store unpackaged food in the appliance.

## 3 Environmental protection and energy-saving

### 3.1 Disposal of packaging

The packaging materials are environmentally compatible and can be recycled.

- ▶ Sort the individual components by type and dispose of them separately.

### 3.2 Saving energy

If you follow these instructions, your appliance will use less power.

#### Selecting the installation location

- Keep the appliance out of direct sunlight.

- Install the appliance as far away as possible from heating elements, stoves and other heat sources:
  - Maintain a 1 1/4" (30 mm) clearance to electric or gas stoves.
  - Maintain an 11 13/16" (300 mm) clearance to oil or solid-fuel stoves.
- Never cover or block the external ventilation openings.

#### Saving energy during use

**Note:** The arrangement of the fittings does not affect the energy consumption of the appliance.

- Open the appliance only briefly and then close it carefully.
- Never cover or block the interior ventilation openings or the exterior ventilation openings.
- Transport purchased food in a cooler and place quickly in the appliance.
- Allow warm food and drinks to cool down before storing them.
- Thaw frozen food in the refrigerator compartment to utilize the low temperature of the food.
- Always leave some space between the food and to the back panel.
- Vacuum the external ventilation grilles when they are dusty.

## 4 Installation and connection

### 4.1 Included in delivery

After unpacking all the parts, check for any damage in transit and for completeness of delivery.

If you have any complaints, contact your dealer or our Customer Service → *Page 28*.

The delivery consists of the following:

- Free-standing appliance
- Equipment and accessories<sup>1</sup>
- Installation material
- Installation instructions
- User manual
- Explanation of the limited product warranty
- Warranty enclosure<sup>2</sup>
- Energy label
- Information on energy consumption and noises
- Information about Home Connect™

### 4.2 Criteria for the installation location

#### WARNING

If the appliance is in a space that is too small, a leak in the refrigeration circuit may result in a flammable mixture of gas and air.

- ▶ Only install the appliance in a space with a volume of at least 35 ft<sup>3</sup> (1 m<sup>3</sup>) per 0.3 oz (8 g) refrigerant. The amount of refrigerant is indicated on the rating label.

→ "Appliance", Fig. **1/8**, Page 9

The weight of the appliance from factory may be up to 320 lbs (145 kg) depending on the model.

<sup>1</sup> Depending on the appliance specifications

<sup>2</sup> Not in all countries

The subfloor must be sufficiently stable to bear the weight of the appliance.

### Over-and-under and side-by-side installation

If you want to install 2 refrigerating appliances one over the other or side by side, you must maintain a clearance of at least 150 mm between the appliances. Selected appliances can be installed without a minimum clearance. Ask your dealer or kitchen planner about this.

## 4.3 Installing the appliance

- ▶ Install the appliance in accordance with the enclosed installation instructions.

## 4.4 Preparing the appliance for first use

1. Remove the information material.
2. Remove the protective film and transit bolts, e.g. remove the adhesive strips and cardboard.
3. Clean the appliance for the first time. → *Page 20*

## 4.5 Connecting the appliance to the drinking water connection

### Requirements

- A shut-off valve must be installed on the water connection and be freely accessible following installation of the appliance.
  - Ensure that the water coming from the water connection is potable.
1. Rinse the drinking water connection thoroughly until the drinking water is no longer cloudy and contains no deposits.  
If the drinking water is still cloudy or contains deposits, install an external water filter system.
  2. Install the drinking water connection according to the enclosed installation instructions.

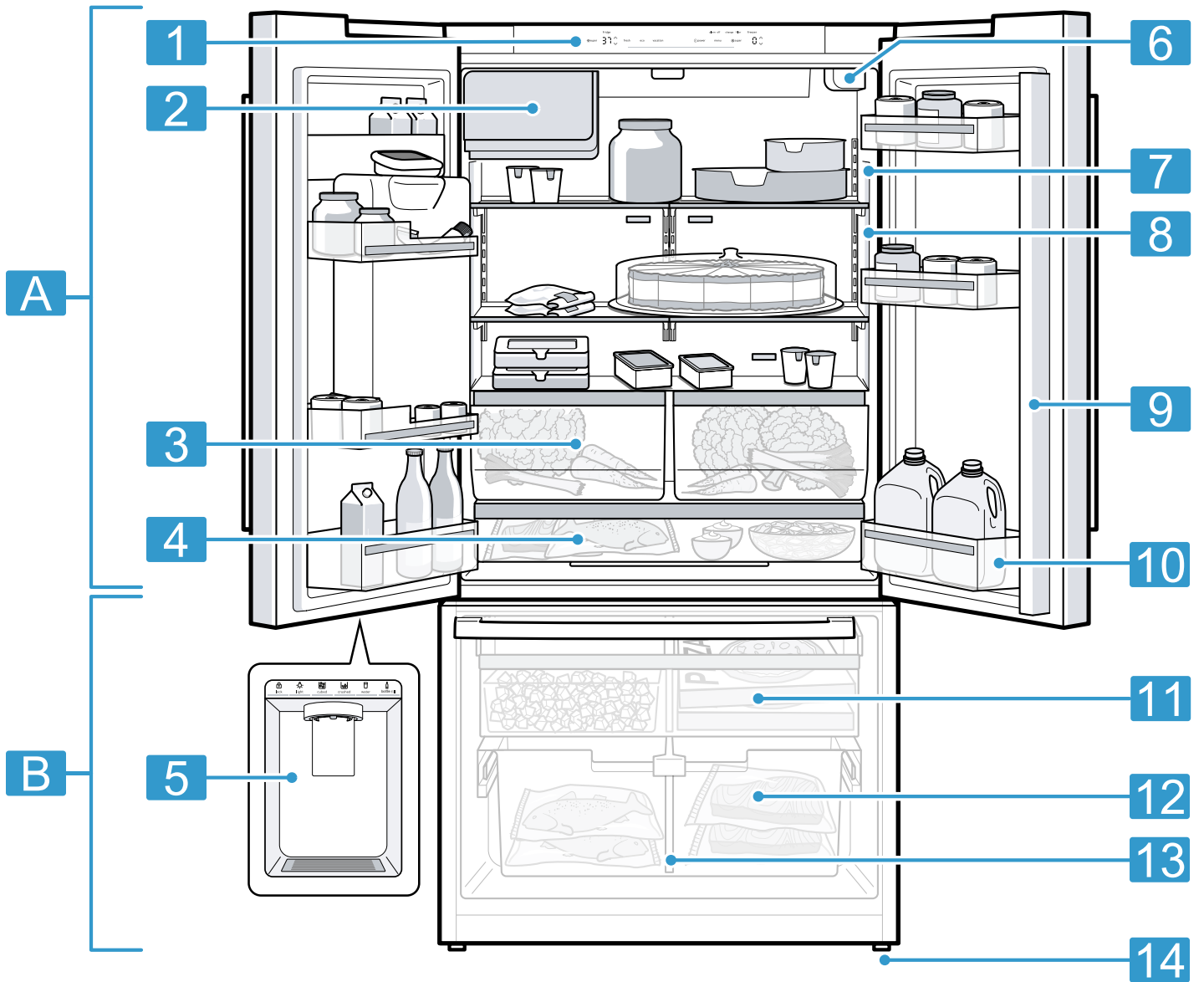
## 4.6 Connecting the appliance to the electricity supply

1. Insert the non-heating appliance plug of the power cord into the appliance.
  2. Insert the power plug of the appliance's power cord in a socket outlet nearby.  
The connection data of the appliance can be found on the rating plate. → "*Appliance*", Fig. **1/8**, *Page 9*
  3. Check the power plug is inserted properly.
- ✓ The appliance is now ready to use.

## 5 Familiarizing yourself with your appliance

### 5.1 Appliance

Here you can find an overview of the parts of your appliance.



**1**

**A** Refrigerator compartment → *Page 16*

**B** Freezer compartment → *Page 17*

**1** Control panel → *Page 9*

**2** Ice storage container

**3** Fruit and vegetable container with humidity controller → *Page 11*

**4** Storage container → *Page 11*

**5** Ice and water dispenser → *Page 18*

**6** Water filter → *Page 17*



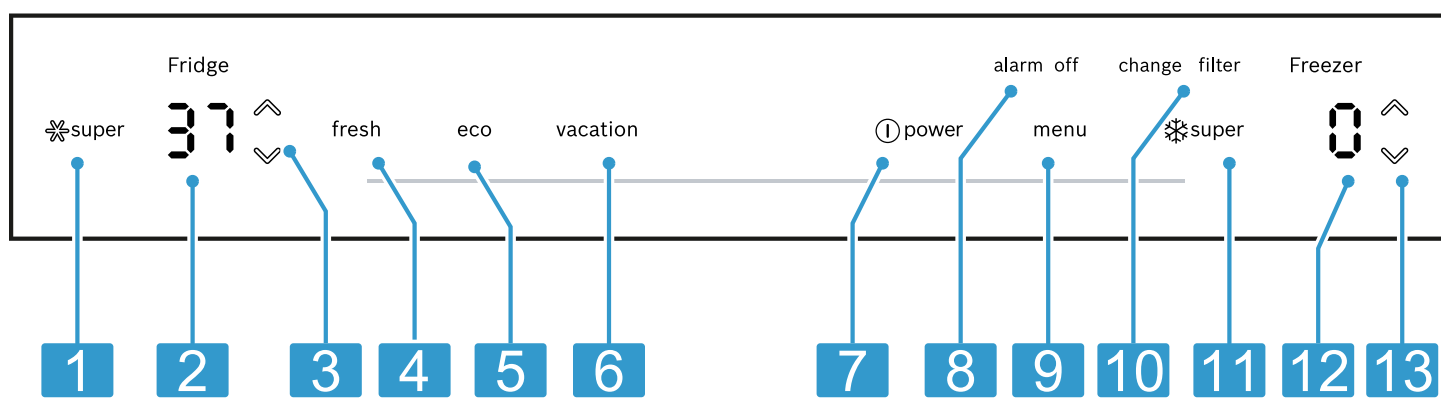
<b>7</b>	Interior lighting
<b>8</b>	Rating label → Page 28
<b>9</b>	Hinged condensation protection bar → Page 6
<b>10</b>	Door rack for large bottles → Page 12
<b>11</b>	Frozen food pull-out container → Page 12

<b>12</b>	Suspended frozen food container → Page 12
<b>13</b>	Container divider → Page 12
<b>14</b>	Screw foot

**Note:** Your appliance may differ from the diagrams with regard to features and dimensions.

## 5.2 Control panel

You can use the control panel to configure all functions of your appliance and to obtain information about the operating status.

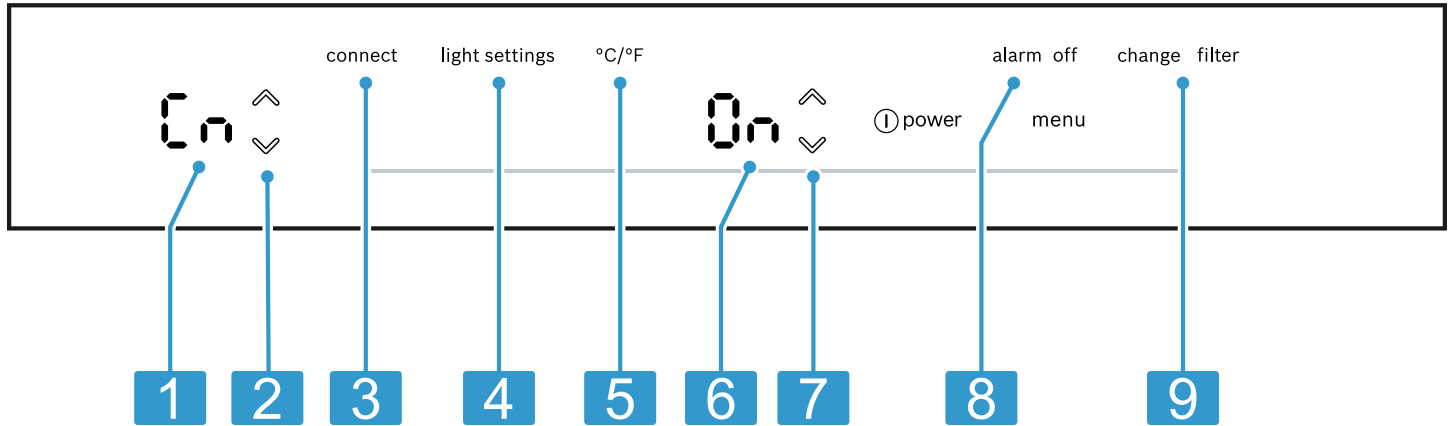




<b>2</b>	
<b>1</b>	❄️super switches Super cooling on or off.
<b>2</b>	Displays the set temperature for the refrigerator compartment in °F or °C.
<b>3</b>	↕/↗ (Refrigerator compartment) sets the temperature of the refrigerator compartment.
<b>4</b>	fresh switches freshness mode on or off.
<b>5</b>	eco switches energy-saving mode on or off.
<b>6</b>	vacation switches vacation mode on or off.
<b>7</b>	Ⓜpower switches the appliance on or off.

<b>8</b>	alarm off switches off the alarm.
<b>9</b>	menu opens and closes the menu.
<b>10</b>	change filter lights up when the filter needs to be replaced.
<b>11</b>	❄️super switches Super freezing on or off.
<b>12</b>	Displays the set temperature for the freezer compartment in °F or °C.
<b>13</b>	↕/↗ (Freezer compartment) sets the temperature of the freezer compartment.

### 5.3 Control panel (submenu)

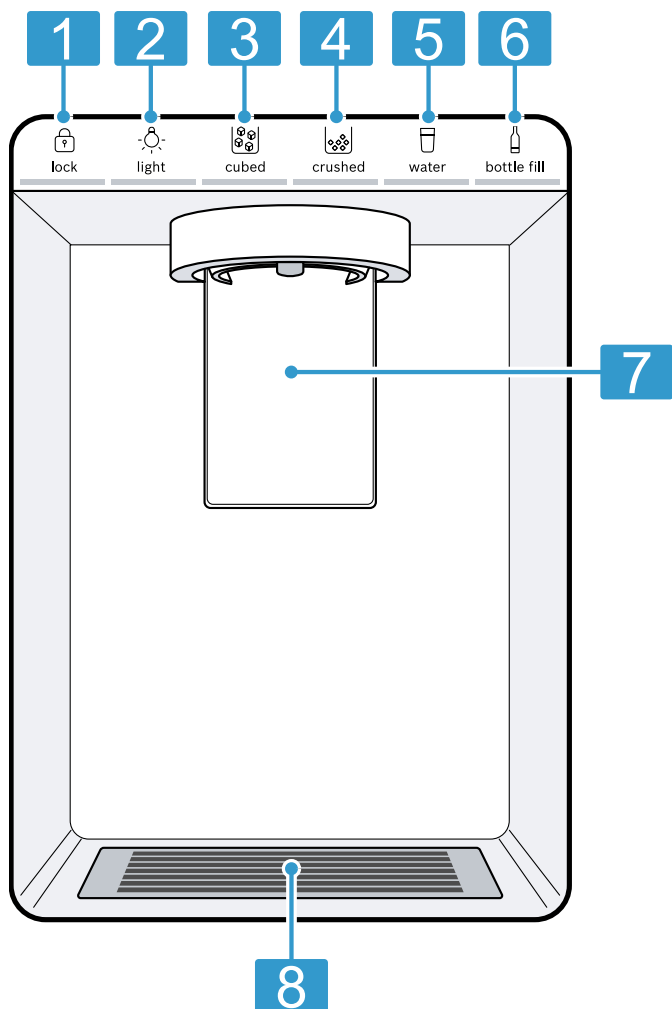
You can configure further settings in the submenu.



- 3**
- 1** Displays the selected submenu.
  - 2**  (Submenu) is used to navigate through the submenu.
  - 3** menu opens the menu for setting Home Connect.
  - 4** light settings opens the menu for setting the lighting.
  - 5** °C/°F opens the menu for changing the temperature unit.
  - 6** Displays the settings of the submenu.
  - 7**  (Submenu setting) changes the submenu setting.
  - 8** alarm off opens the menu for setting the door alarm.
  - 9** change filter opens the menu for setting the filter.

## 5.4 Control panel and controls (ice and water dispenser)

You can find an overview of the parts of your ice and water dispenser here.



4

1 lock locks or unlocks the ice and water dispenser.

2 light switches the permanent light for the ice and water dispenser on or off.

3 cubed sets dispensing to ice cubes.

4 crushed sets dispensing to crushed ice.

5 water sets dispensing to water.

6 bottle fill sets dispensing to a specific amount of water.

7 Dispensing button

8 Drip grate → Page 20

## 6 Features

The features of your appliance depend on the model.

### 6.1 Shelf

#### NOTICE:

If fitted at an angle, the hooks on the shelf can scratch the rear panel of the refrigerator compartment.

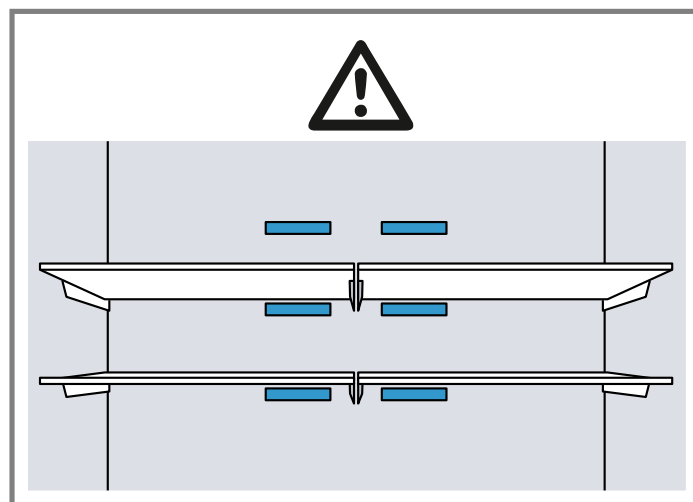
- Ensure that the shelf is horizontal and that the hooks are properly fitted in place.

To vary the shelf as required, you can remove the shelf and re-insert it elsewhere.

→ "Removing the shelf", Page 20

#### Note

To avoid impeding the circulation of air, do not cover the inner ventilation openings.



### 6.2 Storage container

The temperatures in the storage container are lower than in the refrigerator compartment. Temperatures below 32 °F (0 °C) may occur occasionally.

In order to reach temperatures close to 32 °F (0 °C) in the storage container, switch on the freshness mode.

→ Page 14

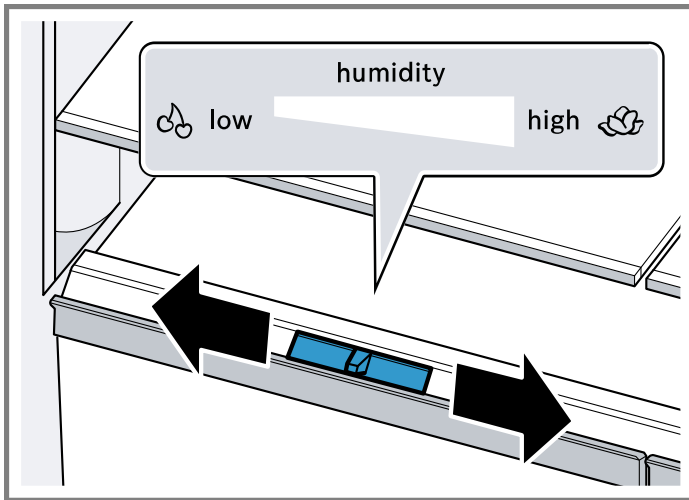
Use the lower temperatures in the storage container to store highly perishable food, e.g. fish, meat and sausages.

### 6.3 Fruit and vegetable container with humidity controller


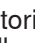
Store fresh fruit and vegetables loose in the fruit and vegetable container.

Cover any chopped fruit and vegetables, or store in airtight packaging.

You can adjust the humidity in the fruit and vegetable container using the humidity controller. This allows fresh fruit and vegetables to be stored for longer than with conventional storage.



The air humidity in the fruit and vegetable container can be set according to the type and amount of food to be stored by moving the humidity controller:

- Low humidity  <sup>low</sup> required when primarily storing fruit or mixed items, or if the appliance is very full.
- High humidity <sup>high</sup>  required when primarily storing vegetables or when the appliance is not very full.

Condensation may form in the fruit and vegetable container depending on the food and quantity stored. Remove the condensation with a dry cloth and adjust the air humidity to a lower setting using the humidity controller. To ensure that the quality and aroma are retained, store fruit and vegetables that are sensitive to cold outside of the appliance at temperatures of approximately 46 °F (8 °C) to 54 °F (12 °C), e.g. pineapple, bananas, citrus fruits, cucumbers, zucchinis, bell peppers, tomatoes and potatoes.

#### 6.4 Container divider

##### **WARNING**

Children may climb into the appliance and suffocate.

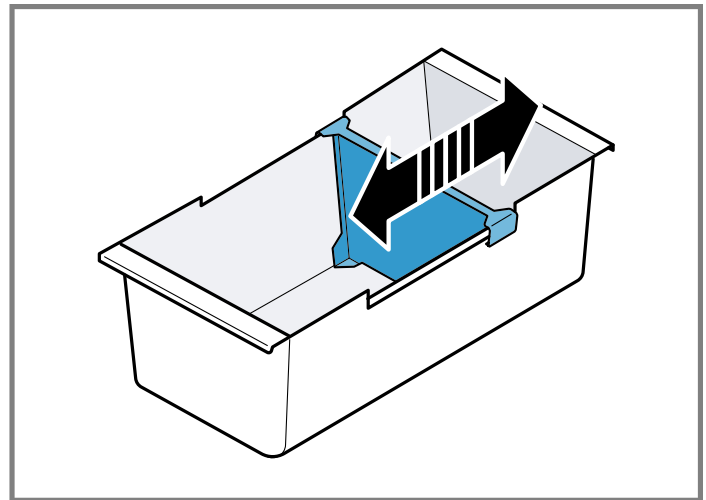
- ▶ Never remove the container divider from the suspended frozen food container.

##### **NOTICE:**

The container divider for the suspended frozen food container will be damaged if removed.

- ▶ Never remove the container divider from the suspended frozen food container.

To vary the division of the suspended frozen food container you can move the container divider.



#### 6.5 Frozen food pull-out container

In order to achieve an improved overview and to remove frozen food more quickly, remove the frozen food pull-out container.

#### 6.6 Suspended frozen food container

Store large frozen items in the suspended frozen food container.

#### 6.7 Door rack

To adjust the door rack as required, you can remove the door rack, and re-insert it elsewhere.

→ "Removing the door rack", Page 20

#### 6.8 Ice storage container

If the ice and water dispenser is switched on, the ice cubes that are produced are automatically stored in the ice storage container.

##### **WARNING**

Reaching into the dispenser opening of the ice storage container can cause cuts.

- ▶ Never reach into the dispenser opening of the ice storage container.

##### **WARNING**

Contact with ice cubes and cold surfaces may cause burns by refrigeration.

- ▶ Avoid prolonged contact between the skin and ice cubes or metal surfaces in the ice storage container.

##### **NOTICE:**

The ice and water dispenser may become blocked or damaged by food or objects stored in the ice storage container.

- ▶ Never store food or objects in the ice storage container.
- ▶ Never use the ice storage container to store ice cubes that were not made using the ice cube maker.


##### **Tips**

- Remove larger quantities of ice cubes from the ice storage container or store them in the frozen food pull-out container. → Page 21
- Use both hands to pull out the ice storage container as this is heavy when full.

## 7 Basic Operation

### 7.1 Switching on the appliance

1. Connect the appliance to the electricity supply.  
→ Page 7


**Note:** If the appliance has been previously switched off using the control panel, press  power.

- ✓ The appliance begins to cool.
  - ✓ A warning signal sounds, the temperature display (freezer compartment) flashes and alarm off lights up because the freezer compartment is still too warm.
2. Switch off the warning tone using alarm off.
  - ✓ alarm off goes out as soon as the set temperature has been reached.
  3. Set the required temperature. → Page 13

### 7.2 Operating tips



- Once you have switched on the appliance, the set temperature is only reached after several hours. Do not put any food in the appliance until the set temperature has been reached.
- The front and side panels of the housing heat up occasionally. This prevents condensation from forming.
- When you close the door, a vacuum may be created. The door is then difficult to open again. Wait a moment until the vacuum is offset.

### 7.3 Switching off the appliance

- ▶ Press  power.



### 7.4 Setting the temperature unit

You can choose between the temperature unit °F and °C.

1. Press menu.
2. Press °C/°F.
3. Press / (Submenu setting) until the setting display submenu shows F or C.
4. Press menu.


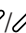
### 7.5 Setting the temperature

#### Setting the refrigerator compartment temperature

- ▶ Press / (Refrigerator compartment) repeatedly until the temperature display (refrigerator compartment) shows the required temperature.

The recommended temperature in the refrigerator compartment is 37 °F (3 °C).

#### Setting the freezer compartment temperature

- ▶ Press / (Freezer compartment) repeatedly until the temperature display (freezer compartment) shows the required temperature.

The recommended temperature in the freezer compartment is 0 °F (-18 °C).

## 8 Additional functions

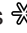

### 8.1 Super cooling

With Super cooling, the refrigerator compartment cools as cold as possible.

Switch on Super cooling before placing large quantities of food.

**Note:** When Super cooling is switched on, increased noise may occur.

#### Switching on Super cooling

- ▶ Press  super.
- ✓  super lights up.

**Note:** After approximately 6 hours, the appliance switches to normal operation.

#### Switching off Super cooling

- ▶ Press  super.
- ✓ The previously set temperature is displayed.

### 8.2 Super freezing



With Super freezing, the freezer compartment cools as cold as possible.

Switch on Super freezing 1 to 2 hours before placing food weighing 4.4 lbs (2 kg) or more into the freezer compartment.

Use Super freezing to accelerate ice cube production.

**Note:** When Super freezing is switched on, increased noise may occur.

#### Switching on Super freezing

- ▶ Press  super.
- ✓  super lights up.

**Note:** After approximately 8 hours, the appliance switches to normal operation.

#### Switching off Super freezing

- ▶ Press  super.
- ✓ The previously set temperature is displayed.

### 8.3 Vacation mode

If you are going to be away for a long time, you can switch on energy-saving vacation mode on the appliance.

#### CAUTION

The refrigerator compartment heats up while the vacation mode is switched on. The increased temperature may cause bacteria to increase and spoil the food.

- ▶ When the vacation mode is switched on, do not store any food in the refrigerator compartment.

The appliance automatically sets the temperatures.

Refrigerator compartment	43 °F (6 °C)
Freezer compartment	Temperature remains unchanged

**Note:** While the vacation mode is activated, the ice cube production and the ice and water dispenser are switched off.

### Switching on vacation mode

- ▶ Press vacation.
- ✓ vacation lights up.

### Switching off vacation mode

- ▶ Press vacation.
- ✓ The previously set temperature is displayed.

## 8.4 Energy-saving mode

You can set the appliance to save energy with the energy-saving mode.

The appliance automatically sets the temperatures.

Refrigerator compartment	43 °F (6 °C)
Freezer compartment	6 °F (-14 °C)

### Switching on energy-saving mode

- ▶ Press eco.
- ✓ eco lights up.

### Switching off energy-saving mode

- ▶ Press eco.
- ✓ The previously set temperature is displayed.

## 8.5 Freshness mode

In order to keep the food fresh longer, you can switch on the freshness mode on the appliance.

The appliance automatically sets the temperatures.

Refrigerator compartment	36 °F (2 °C)
Freezer compartment	Temperature remains unchanged

### Switching on freshness mode

- ▶ Press fresh.
- ✓ fresh lights up.

### Switching off freshness mode

- ▶ Press fresh.
- ✓ The previously set temperature is displayed.

## 8.6 Interior lighting

You can switch the interior lighting off or set the brightness.

0	The interior lighting is switched off
1	Minimum brightness
5	Maximum brightness

### Setting the interior lighting

1. Press menu.
2. Press light settings.
3. Press / (Submenu setting) until the setting display submenu shows the required setting.

4. Press menu.

## 8.7 Sabbath mode

To ensure that you can also use the appliance on the Sabbath, the Sabbath mode switches off all non-essential functions.

During Sabbath mode, the following functions are switched off:

- Super cooling
- Super freezing
- Alarm
- Water dispensing
- Ice cube production and ice cube dispensing
- Interior lighting
- Audible signals
- Messages on the control panel

**Note:** The brightness of the control panel lighting is reduced during the Sabbath mode.

### Switching on Sabbath mode

- ▶ Press and hold vacation for 10 seconds until an audible signal sounds.
- ✓ alarm lights up.

**Note:** After approximately 80 hours, the appliance switches to normal operation.

### Switching off Sabbath mode

- ▶ Press and hold alarm for 5 seconds until an audible signal sounds.

## 8.8 Filter change notification

Every 6 months, the filter change notification will come on. change filter lights up.

**Note:** Increased water consumption switches the filter change notification on sooner.

### Switching off the filter change notification

1. Replace the water filter.  
The bypass cap does not need to be replaced.
  2. Press and hold change filter for 3 seconds.
- ✓ change filter goes out.
  - ✓ The filter change status is reset.

## 8.9 Filter change status

If you replace the filter before the filter change notification, reset the filter change status.

	The measurement of the filter change status is running
	Resetting the filter change status

### Resetting the filter change status

1. Press menu.
  2. Press change filter.
- ✓ The submenu setting display shows .
3. Press (Submenu setting).
  - ✓ The submenu setting display shows .
4. Press menu.

## 9 Alarm

### 9.1 Door alarm

If the appliance door is open for a while, the door alarm switches on.

A warning tone sounds and alarm off flashes.

#### Switching off the door alarm


- ▶ Close the appliance door or press alarm off.
- ✓ The warning tone is switched off.
- ✓ alarm off goes out.

#### Door alarm warning signal


You can activate or deactivate the door alarm warning signal.

On	Door alarm warning signal activated
Off	Door alarm warning signal deactivated

#### Activating the door alarm warning signal

1. Press menu.
2. Press alarm off.
3. Press  (Submenu setting) until the setting display submenu shows the required setting.
4. Press menu.

#### Deactivating the door alarm warning signal

1. Press menu.
2. Press alarm off.
3. Press  (Submenu setting) until the setting display submenu shows the required setting.
4. Press menu.

### 9.2 Temperature alarm

If the freezer compartment becomes too warm, the temperature alarm will switch on.

A warning tone sounds and the set temperature (freezer compartment) and alarm off flash.

#### CAUTION

During the thawing process, bacteria may multiply and spoil the frozen food.

- ▶ Do not refreeze partly or completely thawed food.
- ▶ Refreeze food only after cooking.
- ▶ The frozen items should no longer be stored for the maximum storage period.

The temperature alarm can be switched on in the following cases:

- The appliance is switched on.  
Do not store any food until the appliance has reached the set temperature.
- Large quantities of fresh food are being placed inside.  
Switch on Super freezing before placing large quantities of food in the appliance.
- The freezer compartment door is open for too long.  
Check whether the frozen food has defrosted or thawed.

### Switching off the temperature alarm

- ▶ Press alarm off.
- ✓ The warning tone is switched off.
- ✓ The temperature display (freezer compartment) briefly indicates the warmest temperature reached in the freezer compartment. The temperature display (freezer compartment) then indicates the set temperature again.
- ✓ From this time on, the warmest temperature is recalculated and saved.

## 10 Home Connect™

This appliance is network-capable. Connecting your appliance to a mobile device lets you control its functions via the Home Connect™ app.

The Home Connect™ services are not available in every country. The availability of the Home Connect™ function depends on the availability of Home Connect™ services in your country. You can find information on this at: [www.home-connect.com](http://www.home-connect.com).

To be able to use Home Connect™, you must first set up the connection to the WLAN home network (Wi-Fi<sup>1</sup>) and to the Home Connect™ app.

After switching on the appliance, wait at least 2 minutes until internal device initialization is complete. Only then should you set up Home Connect™.

The Home Connect™ app guides you through the entire registration process. Follow the instructions in the Home Connect™ app to implement the settings.

#### Tips

- Consult the Home Connect™ documents supplied.
- Follow the instructions in the Home Connect™ app as well.

#### Notes

- Also note the safety information in this instruction manual and ensure that it is also observed when operating the appliance using the Home Connect™ app.  
→ "Safety", Page 3
- Operating the appliance on the appliance itself always takes priority. It is not possible to operate the appliance using the Home Connect™ app during this time.

### 10.1 Setting up Home Connect™

**Requirement:** The Home Connect™ app has been installed on your mobile device.

1. Scan the QR code using the Home Connect™ app.



<sup>1</sup> Wi-Fi is a registered trade mark of the Wi-Fi Alliance.

- Follow the instructions in the Home Connect™ app.

## 10.2 Checking the signal strength

You should check the signal strength if no connection could be established.

- Press menu.
  - connect lights up and the submenu display shows **ℓn**.
- Press **↙/↗** (Submenu) repeatedly until the submenu display shows **5i**.
  - The submenu display shows a value between setting **0** (no reception) and **3** (full reception).
- Press menu.

**Note:** The signal strength should be at least **2**.

### Improving the reception

If the signal strength is too weak, the connection may be interrupted.

- Carry out one of the solution options:
  - Place the router and refrigerator closer together.
  - Ensure that the connection is not interfered with by screening walls.
  - Install a repeater to strengthen the signal.

## 10.3 Installing updates for the Home Connect software

The appliance searches for updates to the Home Connect™ software at regular intervals.

**Note:** If updates are available, the submenu display shows **UP**.

To cancel the update and reset the submenu display to the set temperature, press any touch field.

- Press menu.
  - connect lights up and the submenu display shows **ℓn**.
- Press **↙/↗** (Submenu) repeatedly until the submenu display shows **UP** and the submenu setting display shows **0F**.
- Press **↗** (Submenu setting).
  - The submenu setting display shows an animation.
  - The update is installed.
  - The control panel is locked during the installation.
  - If the installation is successful, the submenu setting display shows **0n**.
- If the submenu setting display shows **Er**, the appliance was unable to install the update.
  - Repeat the process at a later point.
- If the update cannot be completed after several attempts, contact customer service → *Page 28*.

## 10.4 Resetting the Home Connect™ settings

If your appliance experiences connection problems with the WLAN home network (Wi-Fi) or your appliance wants to log into a different WLAN home network (Wi-Fi), you can reset the Home Connect™ settings.

- Press menu.
  - connect lights up and the submenu display shows **ℓn**.
- Press **↙/↗** (Submenu) repeatedly until the submenu display shows **rE** and the submenu setting display shows **0F**.
- Press **↗** (Submenu setting).

- The submenu setting display shows an animation for approximately 15 seconds.
  - The submenu setting display shows **0n**.
  - The Home Connect™ settings have been reset.
- Press menu.

## 10.5 Remote diagnostics

The Customer Service can access your appliance via Remote Diagnostics if you ask them to do so, if your appliance is connected to the Home Connect™ server and if Remote Diagnostics is available in the country where you are using the appliance.

**Tip:** Further information and details about the availability of Remote Diagnostics in your country can be found in the Service/Support section of your local website: [www.home-connect.com](http://www.home-connect.com)

## 10.6 Data Protection

Please see the information on data protection.

The first time your appliance is registered on a home network connected to the Internet, your appliance will transmit the following types of data to the Home Connect™ server (initial registration):

- Unique appliance identification (consisting of appliance codes as well as the MAC address of the installed Wi-Fi communication module).
- Security certificate of the Wi-Fi communication module (to ensure a secure data connection).
- The current software and hardware version of your appliance.
- Status of any previous reset to factory settings.

This initial registration prepares the Home Connect™ functions for use and is only required when you want to use the Home Connect™ functions for the first time.

**Note:** Please note that the Home Connect™ functions can be utilized only with the Home Connect™ app. Information on data protection can be called up in the Home Connect™ app.

# 11 Refrigerator compartment

You can keep meat, fish, dairy products, eggs, drinks, prepared meals and pastries in the refrigerator compartment. The temperature can be set from 33 °F (1 °C) to 43 °F (6 °C).

The refrigerator compartment can also be used to store highly perishable foods in the short to medium term. The lower the selected temperature, the longer the food remains fresh.

## 11.1 Tips for storing food in the refrigerator compartment

- Only store food when fresh and undamaged.
- Store food covered or in air-tight packaging.
- To avoid impeding the circulation of air and to prevent food from freezing, do not place food in front of the inner ventilation openings or in direct contact with the back wall.
- Allow hot food and drinks to cool down first before placing in the appliance.
- Observe the best-before date or expiration date specified by the manufacturer.



## 11.2 Chill zones in the refrigerator compartment

The air circulation in the refrigerator compartment creates different chill zones.

### Coldest zone

The coldest zone is in the storage container.

**Tip:** Store highly perishable food such as fish, sausages and meat in the coldest zone.

### Warmest zone

The warmest zone is at the very top of the door.

**Tip:** Store groceries that do not spoil easily in the warmest zone, e.g. hard cheese and butter. Cheese can then continue to release its flavor and the butter will still be easy to spread.

---

## 12 Freezer compartment

You can store frozen food, freeze food and make ice cubes in the freezer compartment.

The temperature can be set from 6 °F (-14 °C) to -7 °F (-22 °C).

Long-term storage of food should be at 0 °F (-18 °C) or lower.

The freezer compartment can be used to store perishable food long-term. The low temperatures slow down or stop the spoilage.

### 12.1 Tips for storing food in the freezer compartment

- Store food in air-tight packaging.
- Do not bring food which is to be frozen into contact with frozen food.
- Distribute the food over a wide area in the suspended frozen food container.
- To quickly and gently freeze larger quantities of fresh food, place this in the frozen food pull-out container.

### 12.2 Tips for freezing fresh food

- Freeze fresh and undamaged food only.
- Freeze food in portions.
- Cooked food is more suitable for freezing than food that can be eaten raw.
- Vegetables: Wash, chop up and blanch before freezing.
- Fruit: Wash, pit and perhaps peel, possibly add sugar or ascorbic acid solution.
- Food that is suitable for freezing includes baked items, fish and seafood, meat, game, poultry, eggs without shells, cheese, butter and curd cheese, prepared meals and leftovers.
- Food that is unsuitable for freezing includes lettuce, radishes, eggs in shells, grapes, raw apples and pears, yogurt, sour cream, crème fraîche and mayonnaise.

### Packing frozen food

If you select suitable packaging material and the correct type of packaging, you can determine the product quality and prevent freezer burn.

1. Place the food in the packaging.
2. Squeeze out the air.

3. Pack food airtight to prevent it from losing flavor or drying out.
4. Label the packaging with the contents and the date of freezing.

## 12.3 Defrosting methods for frozen food

### CAUTION

During the thawing process, bacteria may multiply and spoil the frozen food.

- ▶ Do not refreeze partly or completely thawed food.
  - ▶ Refreeze food only after cooking.
  - ▶ The frozen items should no longer be stored for the maximum storage period.
- Defrost animal-based food, such as fish, meat, cheese, curd cheese, in the refrigerator compartment.
  - Defrost bread at room temperature.
  - Prepare food for immediate consumption in the microwave, in the oven, or on the cooktop.

---

## 13 Water system

Your appliance is equipped with water-carrying components.

The water system only works if a water filter or a bypass cap is installed.

Switch off ice cube production before disconnecting the appliance from the drinking water connection. → *Page 19*

### 13.1 Water filter

The water filter filters particles and the taste of chlorine out of the water.

The water filter reduces further contamination, e.g. from chloramines, lead and pharmaceutical products.

**Note:** The water filter does not filter bacteria or microbes out of the water.

Change the water filter:

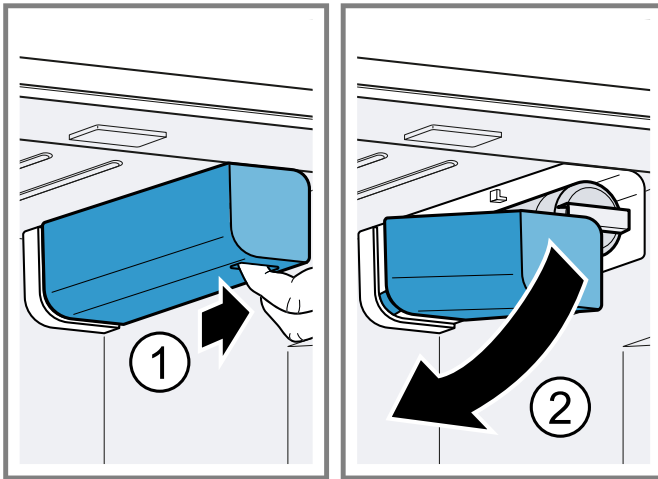
- Every 6 months.
- If change filter lights up.
- If the water output has visibly reduced.

#### Tips

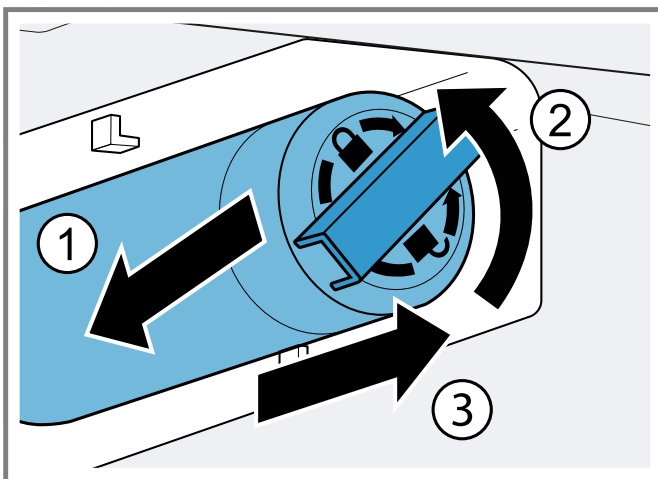
- A new water filter can be purchased from customer service, your dealer or our website.
- If you do not want to use a water filter in your appliance or an external water filter system is installed, you can permanently replace the water filter with a bypass cap. The bypass cap filters only large particles out of the water and can be cleaned as required. A bypass cap can be purchased from customer service or our website.

## Changing the water filter or replacing it with a bypass cap

1. Reach into the recess below the filter cover, pull it forward slightly ① and then down to the left ②.



2. Pull the water filter down to the left ①, turn it counter-clockwise by 90° ② and remove it ③.
  - Remove the water filter with care as it is under pressure.



**Note:** When removing it, a small amount of water may drip out of the water filter. Remove the drips of water with a dry cloth.

**Tip:** You can dispose of the old water filter with your household garbage.

3. Insert the new water filter or the bypass cap all the way into the filter opening, turn it 90° clockwise all the way and fold it up to the right.
4. Move the filter cover up to the right and slide it back all the way.
5. Discard the ice cubes produced during the first 24 hours, and dispense water for 5 minutes and discard.

## 13.2 Ice and water dispenser

Use the ice and water dispenser to dispense ice cubes, crushed ice and chilled water.

To achieve maximum ice cube production of up to 12 lbs (5.4 kg) within a period of 24 hours:

- Set the freezer compartment to the coldest temperature.
- Empty the ice storage container every 3 hours.

The quantity of ice cubes produced can vary due to the following conditions:

- How often the appliance is opened
- Amount of food stored
- Ambient temperature and ambient humidity
- Water pressure and condition of the water filter

**Note:** The ice and water dispenser is locked when the appliance door is open.

## Using the ice and water dispenser

### Notes

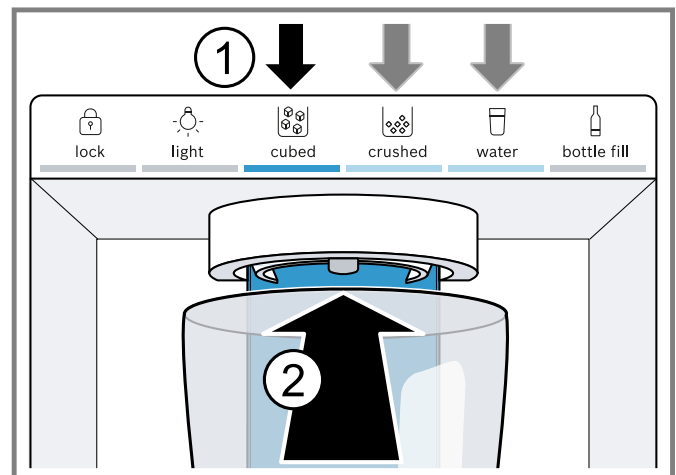
- Ice cube production starts as soon as the appliance is switched on and the freezer compartment has reached the set temperature.
- As soon as the freezer compartment reaches the set temperature, the first batch of ice cubes will be ready in approximately 4 hours.
- Once the appliance has been connected or a new water filter has been installed, there will be air in the water system.

**Requirement:** The appliance is connected to the drinking water connection.

1. Keep dispensing water until it contains no more air bubbles. Remove any splashes of water with a dry cloth.
2. For hygiene reasons, dispense water for 5 minutes and discard.
3. For hygiene reasons, discard the ice cubes produced within the first 24 hours.

## Dispensing ice or water

- ▶ Press the required selection option ① and press the glass against the dispensing button ②.



**Tip:** Hold the glass directly under the dispenser opening.

### Notes

- After a while of continuous dispensing, the ice or water stops being dispensed. Wait a few seconds before dispensing ice or water again.
- After ice or water has been dispensed several times consecutively, it stops being dispensed. Wait a few minutes before dispensing ice or water again.
- When changing from cubed to crushed, a few ice cubes may be released the next time you dispense.
- When changing from crushed to cubed, a small amount of crushed ice may be released the next time you dispense.

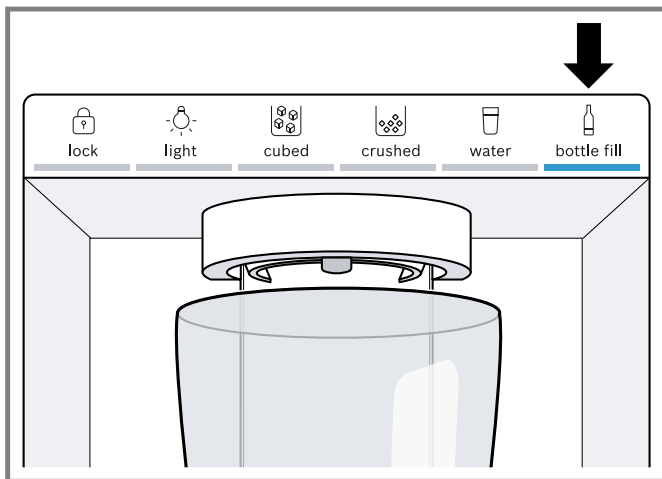
### Bottle fill option

You can dispense a specific amount of water with the bottle fill option.

**Note:** The factory-set amount of water is approx. 17 fl oz (0.5 l).

#### Filling a bottle

1. Press **bottle fill**.
2. Place a bottle or jug under the dispenser opening.
3. Press **bottle fill**.



- ✓ The set amount of water is dispensed.

#### Tips

- To stop dispensing early, press any touch field on the control panel (ice and water dispenser).
- To start dispensing again, press **bottle fill**.

**Note:** If you do not fill a bottle for some time, the selection option changes to **water**.

#### Setting the amount of water for the bottle fill option

**Note:** The maximum fill time is 60 seconds.

1. Press **bottle fill**.
2. Place a bottle or jug under the dispenser opening.
3. Press and hold **bottle fill** + **crushed** at the same time until the desired amount of water is dispensed.

The light bar flashes during dispensing.

- ✓ This new amount of water is saved and will be dispensed for the bottle fill option.

#### Button lock (childproof lock)

The button lock prevents the ice and water dispenser from being operated accidentally or incorrectly while running.

**Note:** Ice cube production continues whilst the button lock is active.

#### Switching on the button lock

- ▶ Press and hold **lock** until the light bar lights up fully.
- ✓ **lock** lights up.

#### Switching off the button lock

- ▶ Press and hold **lock** until the light bar lights up fully.
- ✓ The option that was last used lights up.

#### Permanent light

If you do not dispense ice or water for some time, the light switches itself off.

You can permanently switch on the light on the ice and water dispenser.

#### Switching on the permanent light

- ▶ Press **light**.
- ✓ **light** lights up.

#### Switching off the permanent light

- ▶ Press **light**.
- ✓ **light** goes out.

#### Switching on ice cube production

- ▶ Press and hold **lock** + **light** at the same time until the light bar lights up fully.
- ✓ Ice cube production starts and the selection option that was last used lights up.

#### Switching off ice cube production

- ▶ Press and hold **lock** + **light** at the same time until the light bar lights up fully.
- ✓ The ice dispenser and ice cube production stop.

## 14 Defrosting

### 14.1 Defrosting in the refrigerator compartment

The refrigerator compartment in your appliance defrosts automatically.

### 14.2 Defrosting in the freezer compartment

The fully automatic NoFrost system ensures that the freezer compartment remains frost-free. Defrosting is not required.

## 15 Cleaning and maintenance

To keep your appliance working efficiently for a long time, it is important to clean and maintain it carefully. Customer Service must clean inaccessible points. Cleaning by Customer Service can give rise to costs.

### 15.1 Preparing the appliance for cleaning

1. Switch off the appliance. → *Page 13*
2. Disconnect the appliance from the power supply.
  - Unplug the appliance from the power source or switch off the circuit breaker in the fuse box.
3. Take out all of the food and store it in a cool place.
  - Place ice packs (if available) onto the food.
4. Remove all fittings and accessories from the appliance. → *Page 20*
5. Remove the telescopic rails. → *Page 22*
6. Remove the shelf above the fruit and vegetable container. → *Page 23*
7. Remove the shelf above the storage container. → *Page 23*
8. Remove the fruit and vegetable container cover. → *Page 23*

## 15.2 Cleaning the appliance

### ⚠ WARNING

Moisture intrusion may cause an electric shock.

- ▶ Do not use any steam cleaners or high-pressure cleaners to clean the appliance.

### NOTICE:

Unsuitable cleaning agents may damage the surfaces of the appliance.

- ▶ Do not use hard scouring pads or cleaning sponges.
- ▶ Do not use strong or abrasive cleaning agents.
- ▶ Do not use cleaning agents with a high alcohol content.
- ▶ Do not use stainless-steel cleaning agents on the outside of the appliance.

If you clean fittings and accessories in the dishwasher, this may cause them to become deformed or discolor.

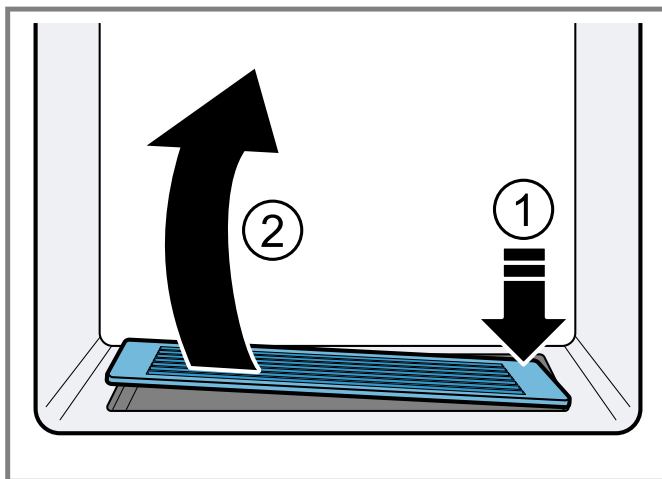
- ▶ Never clean fittings and accessories in the dishwasher.

1. Prepare the appliance for cleaning. → *Page 19*
2. Clean the inside of the appliance, the outside of the appliance, the fittings, the accessories and the door seals with a dish cloth, lukewarm water and a little pH-neutral detergent.
3. Dry thoroughly with a soft, dry cloth.
4. Insert the fittings and install the appliance components.
5. Connect the appliance to the electricity supply.  
→ *Page 7*
6. Switch on the appliance. → *Page 13*
7. Put the food into the appliance.

## 15.3 Cleaning the drip tray

Regularly check the drip tray for water spillages and clean as necessary.

1. Press down on the top right corner of the drip grate ① and remove it ②.



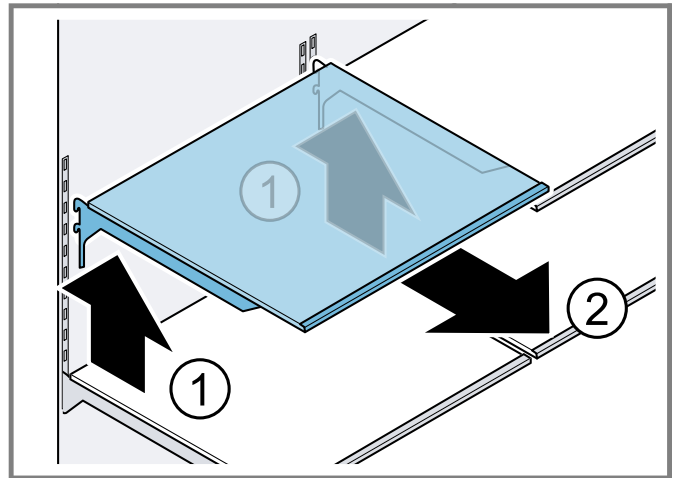
2. Wipe out the drip tray with a sponge or absorbent cloth.

## 15.4 Removing the fittings

If you want to clean the fittings thoroughly, remove these from your appliance.

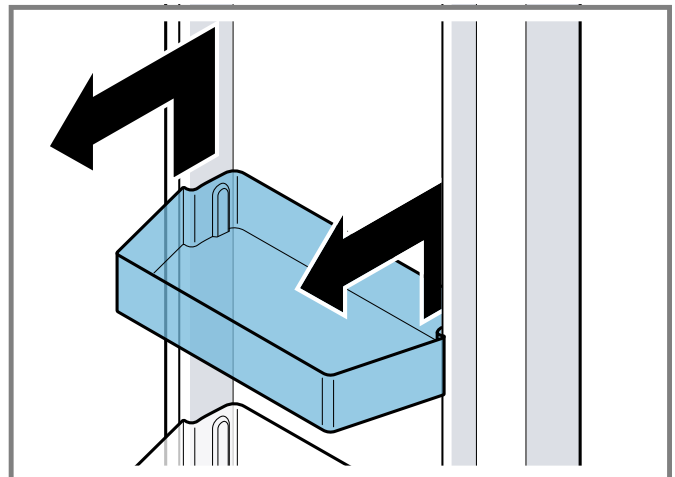
### Removing the shelf

- ▶ Lift the shelf ① and remove it ②.



### Removing the door rack

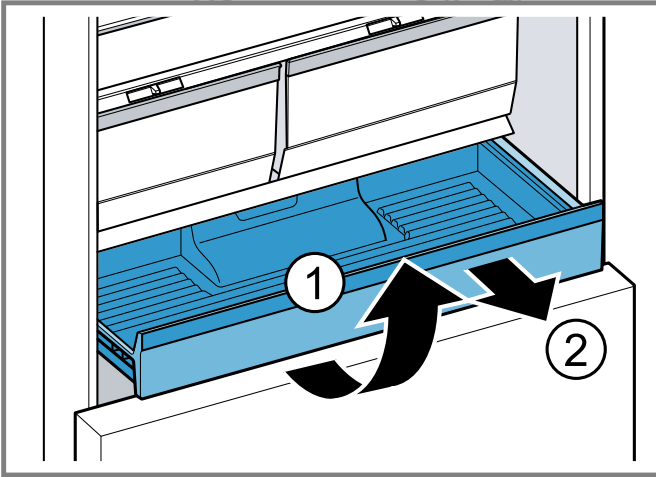
- ▶ Lift the door rack and remove it.



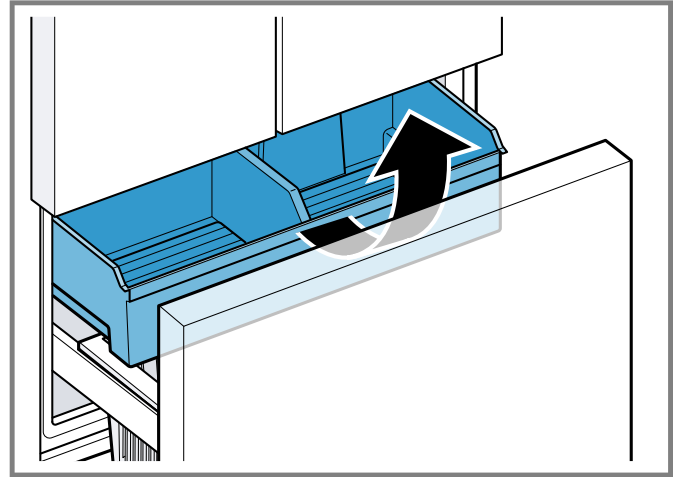
### Removing the storage container

1. Pull the storage container out all the way.

2. Lift the storage container at the front ① and remove it ②.

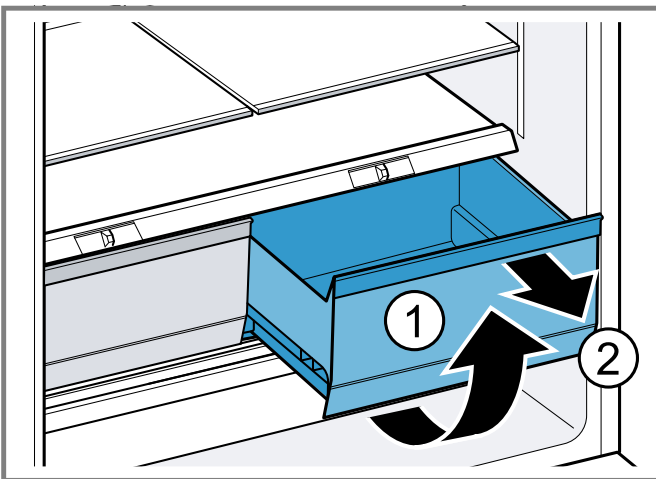


2. Lift the frozen food pull-out container at the front and remove it.



### Removing the fruit and vegetable container

1. Pull out the fruit and vegetable container as far as it will go.
2. Lift the fruit and vegetable container at the front ① and remove it ②.



### Removing the frozen food pull-out container

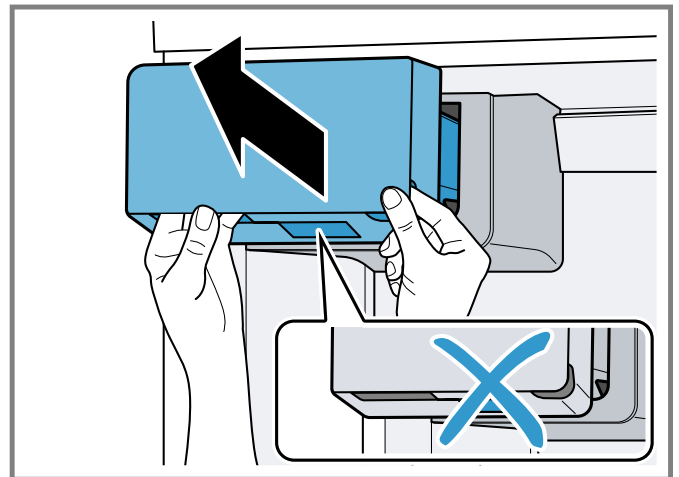
1. Pull out the frozen food pull-out container as far as it will go.

### Removing the ice storage container

#### ⚠ WARNING

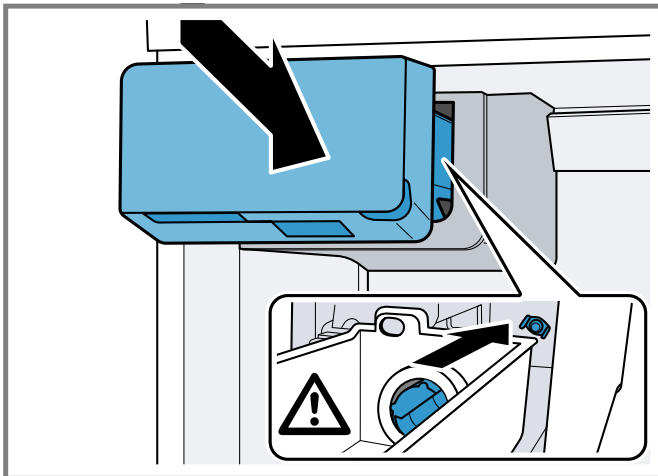
Reaching into the dispenser opening of the ice storage container can cause cuts.

- ▶ Never reach into the dispenser opening of the ice storage container.
- ▶ Reach into the left and right recesses below the ice storage container and pull it out toward the front.



### Tips

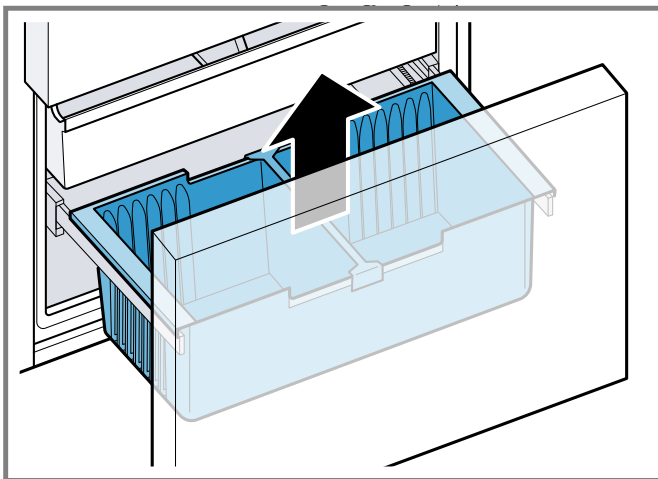
- If the ice storage container cannot be reinserted, turn the auger on the ice storage container and try again.



- If, during installing, the ice storage container is blocked, remove excess ice cubes from the ice storage container opening.

### Removing the suspended frozen food container

- ▶ Lift out the suspended frozen food container.



## 15.5 Removing the appliance components

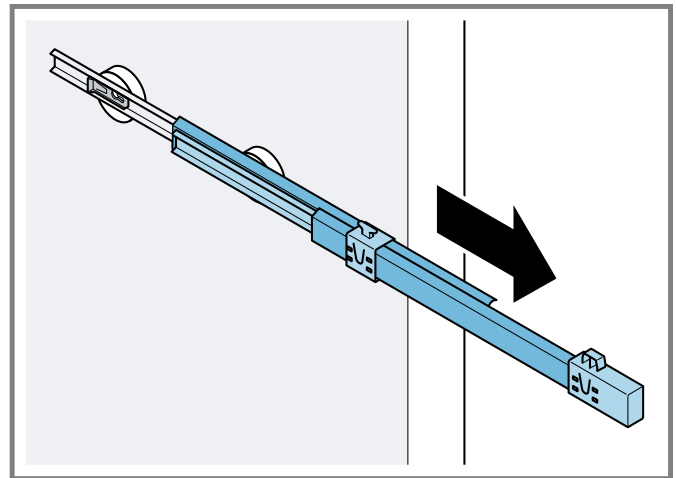
If you want to clean your appliance thoroughly, you can remove certain components from your appliance.

### Telescopic rails

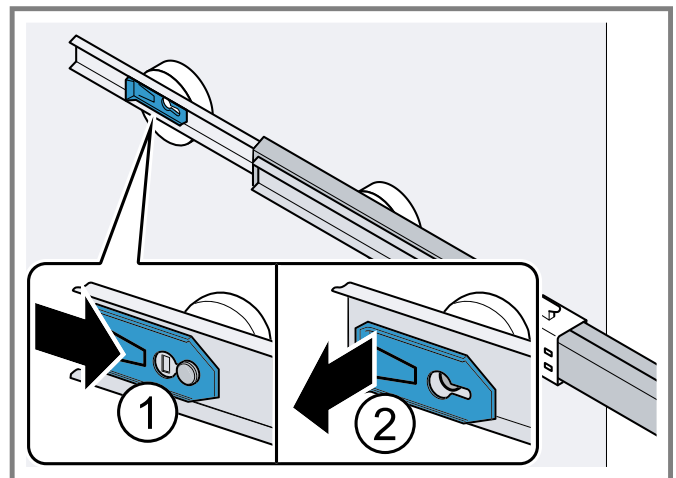
You can remove the telescopic rails in order to clean them thoroughly.

### Removing the telescopic rails

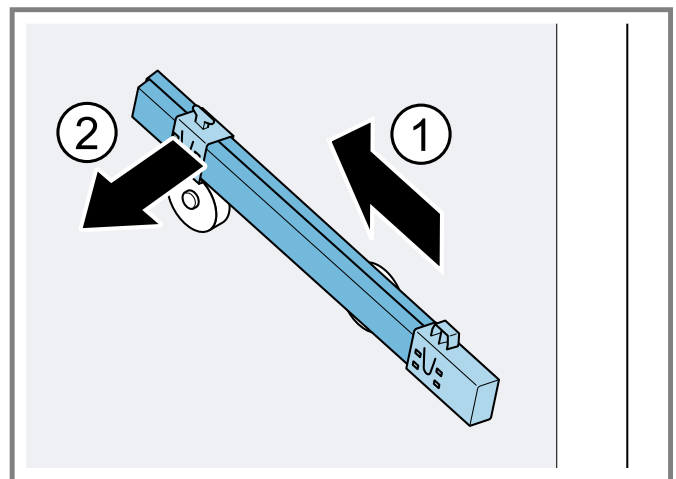
1. Pull out the telescopic rail.



2. Move the lock in the direction of the arrow ① and loosen the pin from the rear ②.

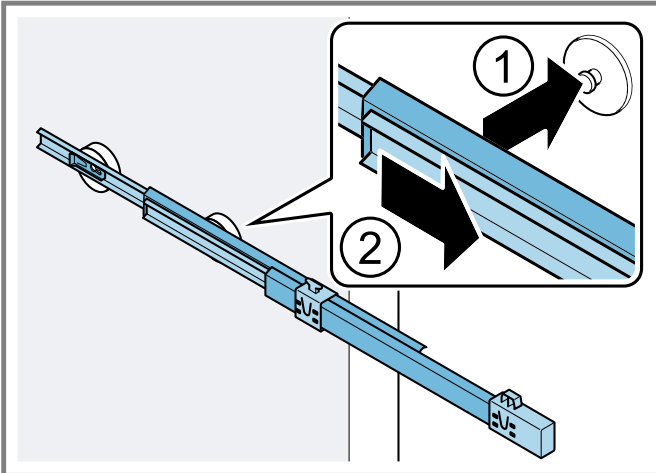


3. Push in the telescopic rail.
4. Push the telescopic rail backwards above the rear pin ① and disengage ②.

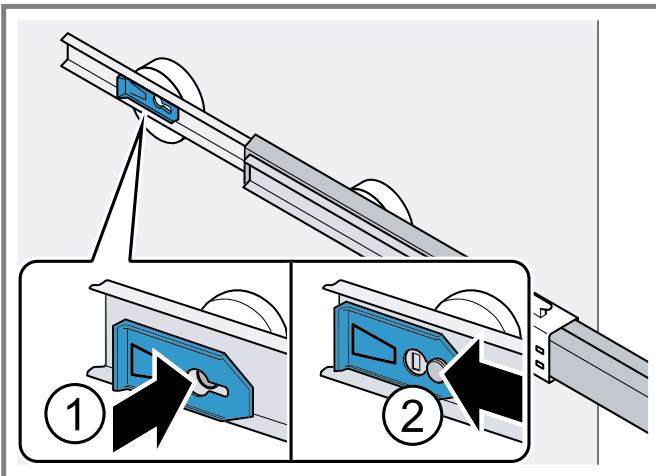


### Installing the telescopic rails

1. Place the extended telescopic rail on the front pin ① and pull it forwards slightly to lock in place ②.

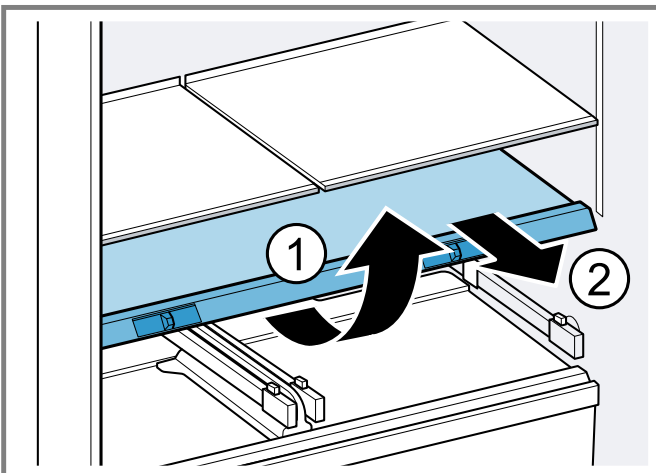


2. Place the telescopic rail on the rear pin ① and push the locking mechanism back ②.



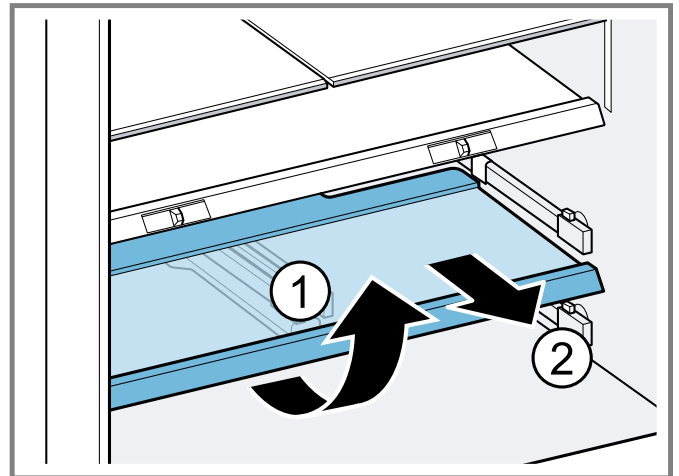
### Removing the shelf above the fruit and vegetable container

1. Pull the fruit and vegetable container out all the way.
2. Lift the shelf above the fruit and vegetable container at the front ① and remove it ②.



### Removing the shelf above the storage container

1. Pull the storage container out all the way.
2. Lift the shelf above the storage container at the front ① and remove it ②.

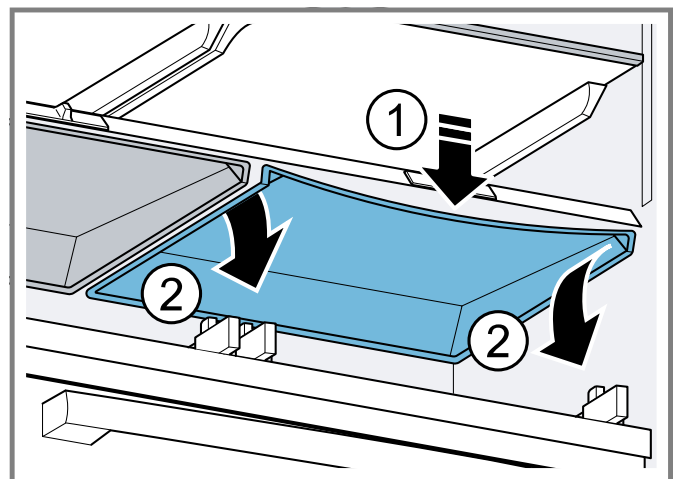


### Fruit and vegetable container cover

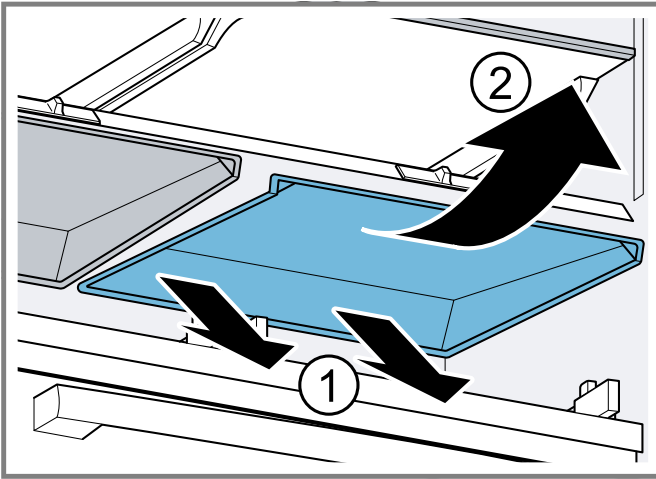
To clean the fruit and vegetable container cover thoroughly, you can remove it.

#### Removing the fruit and vegetable container cover

1. Remove the fruit and vegetable container. → [Page 21](#)
2. Bend the fruit and vegetable container cover upwards slightly at the middle ①, then pull out one side and then the other towards the front ②.

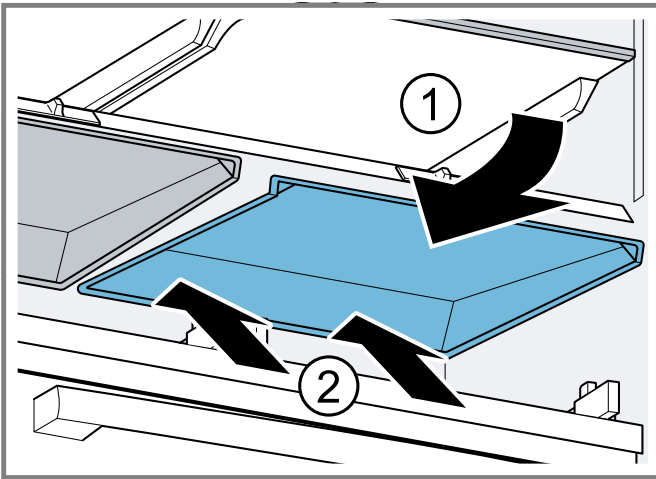


3. Pull out the fruit and vegetable container cover at the rear ① and remove it ②.

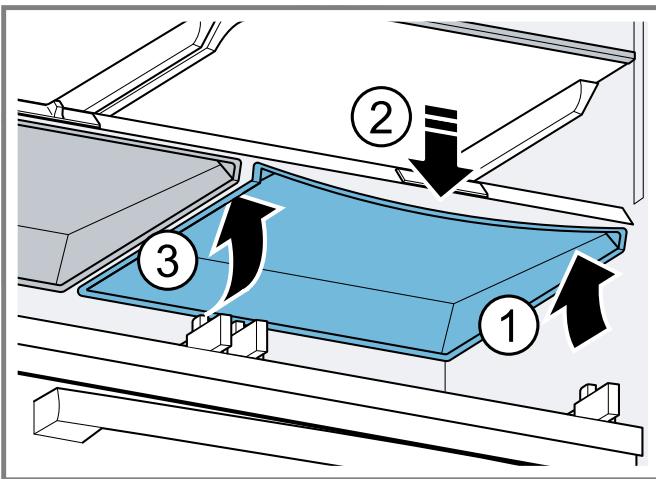


#### Fitting the fruit and vegetable container cover

1. Slide the fruit and vegetable container cover symmetrically toward the rear ① and clip it into place ②.



2. Clip in one side of the fruit and vegetable container cover at the front ①, then bend it downward slightly at the middle ②, and then clip in the other side at the front ③.



If the fruit and vegetable container cover is still bent, move the humidity regulator to and fro until the fruit and vegetable container cover clips into place.



## 16 Troubleshooting

You can eliminate minor issues on your appliance yourself. Please read the information on eliminating issues before contacting Customer Service. This may avoid unnecessary repair costs.

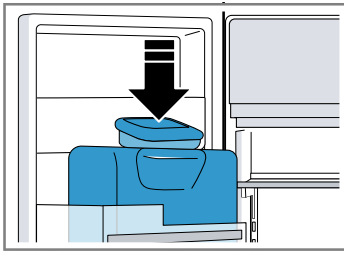
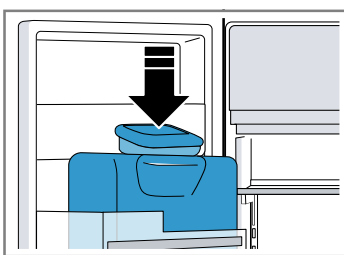
- ▶ If the power cord of this appliance becomes damaged, it must be replaced with a specific connection cord, which is available from the manufacturer or the manufacturer's Customer Service.

### **WARNING**

Improper repairs are dangerous.

- ▶ Only original spare parts may be used to repair the appliance.

Issue	Cause and troubleshooting
The appliance is not cooling, the displays and lighting are lit.	Showroom mode is switched on. <ol style="list-style-type: none"> <li>1. Press and hold alarm off for 15 seconds until three audible signals sound.                             <ul style="list-style-type: none"> <li>✓ The lighting on the control panels and the interior lighting switch themselves off briefly.</li> <li>✓ alarm off flashes and a warning signal sounds.</li> </ul> </li> <li>2. Press alarm off.</li> <li>3. After a short time, check whether your appliance is cooling.</li> </ol>
The LED lighting does not work.	Various causes are possible. <ul style="list-style-type: none"> <li>▶ Call customer service. → "Customer Service", Page 28</li> </ul>
Home Connect™ is not working properly.	Various causes are possible. <ul style="list-style-type: none"> <li>▶ Go to <a href="http://www.home-connect.com">www.home-connect.com</a>.</li> </ul>
E or d appears in the temperature display.	The electronics have detected a fault. <ol style="list-style-type: none"> <li>1. Switch off the appliance. → Page 13</li> <li>2. Disconnect the appliance from the power supply. Unplug the power plug or switch off the circuit breaker in the fuse box.</li> <li>3. Reconnect the appliance after 5 minutes.</li> <li>4. Switch on the appliance. → Page 13</li> <li>5. If the message still appears on the display, call customer service. → "Customer Service", Page 28</li> </ol>
A warning signal sounds and alarm off flashes. The door alarm is switched on.	The appliance door is open. <ul style="list-style-type: none"> <li>▶ Close the appliance door.</li> </ul>
A warning tone sounds and the temperature display (freezer compartment) and alarm off flash. The temperature alarm is switched on.	Various causes are possible. <ol style="list-style-type: none"> <li>1. Press alarm off.                             <ul style="list-style-type: none"> <li>✓ The alarm is switched off.</li> </ul> </li> <li>2. After several hours, check whether the set freezer compartment temperature has been reached again.</li> </ol> <hr/> External ventilation openings are covered up. <ul style="list-style-type: none"> <li>▶ Remove any obstructions from in front of the external ventilation openings.</li> </ul> <hr/> Large quantities of fresh food have been placed inside. <ul style="list-style-type: none"> <li>▶ Switch on Super freezing before placing a larger amount of food in the appliance. → "Switching on Super freezing", Page 13</li> </ul>
The temperature differs greatly from the setting.	Various causes are possible. <ol style="list-style-type: none"> <li>1. Switch off the appliance. → Page 13</li> <li>2. Switch the appliance back on after approximately 5 minutes. → Page 13                             <ul style="list-style-type: none"> <li>– If the temperature is too warm, check the temperature again after a couple of hours.</li> <li>– If the temperature is too cold, check the temperature again on the following day.</li> </ul> </li> </ol>
Water is leaking out of the appliance.	The water connection or water hose is not leak-tight. <ul style="list-style-type: none"> <li>▶ Check if the water connections are fastened firmly and the water hose is undamaged. If necessary, replace the water hose.</li> </ul> <hr/> The drip tray is overflowing.

Issue	Cause and troubleshooting
Water is leaking out of the appliance.	<ul style="list-style-type: none"> <li>▶ Clean the drip tray. → <i>Page 20</i></li> </ul>
Water output is reduced.	<p data-bbox="532 201 769 233">Low water pressure.</p> <ul style="list-style-type: none"> <li>▶ Check the pressure of the water supply system or the external water filter system, e.g. reverse osmosis system.</li> </ul> <p data-bbox="561 296 1500 327">Connect the appliance only to a water connection with sufficient water pressure.</p> <p data-bbox="561 327 678 359">→ <i>Page 6</i></p> <hr/> <p data-bbox="532 369 841 401">The water filter is blocked.</p> <ul style="list-style-type: none"> <li>▶ Change the water filter. → <i>Page 18</i></li> </ul>
Water is dripping from the ice and water dispenser.	<p data-bbox="532 443 834 474">Air is in the water system.</p> <ul style="list-style-type: none"> <li>▶ Keep dispensing water until it contains no more air.</li> </ul> <hr/> <p data-bbox="532 516 976 548">Ice residue is melting in the ice chute.</p> <ul style="list-style-type: none"> <li>▶ Remove the ice residue from the ice chute, for example using a wooden spoon.</li> </ul>
	<p data-bbox="99 852 415 884">Ice cube production is low.</p> <p data-bbox="532 852 1105 884">The appliance has only recently been connected.</p> <ul style="list-style-type: none"> <li>▶ Wait approximately 4 hours until the first batch of ice cubes is ready.</li> </ul> <hr/> <p data-bbox="532 926 1500 978">The freezer compartment has been opened frequently or for an extended period of time.</p> <ul style="list-style-type: none"> <li>▶ Check ice cube production after a few hours.</li> </ul> <hr/> <p data-bbox="532 1020 769 1052">Low water pressure.</p> <ul style="list-style-type: none"> <li>▶ Check the pressure of the water supply system or the external water filter system, e.g. reverse osmosis system.</li> </ul> <p data-bbox="561 1115 1500 1146">Connect the appliance only to a water connection with sufficient water pressure.</p> <p data-bbox="561 1146 678 1178">→ <i>Page 6</i></p> <hr/> <p data-bbox="532 1188 841 1220">The water filter is blocked.</p> <ul style="list-style-type: none"> <li>▶ Change the water filter. → <i>Page 18</i></li> </ul>
	<p data-bbox="99 1262 509 1314">The ice and water dispenser is not functioning.</p> <p data-bbox="532 1262 943 1293">Ice cube production is switched off.</p> <ul style="list-style-type: none"> <li>▶ Switch on ice cube production. → <i>Page 19</i></li> </ul> <hr/> <p data-bbox="532 1335 1081 1367">The button lock (childproof lock) is switched on</p> <ul style="list-style-type: none"> <li>▶ Switch off the button lock. → <i>Page 19</i></li> </ul> <hr/> <p data-bbox="532 1409 1065 1440">The ice storage container is not fully inserted.</p> <ul style="list-style-type: none"> <li>▶ Fully insert the ice storage container. → <i>Page 21</i></li> </ul> <hr/> <p data-bbox="532 1482 1065 1514">Ice cubes are frozen together in the ice chute.</p> <ul style="list-style-type: none"> <li>▶ Remove the ice cubes from the ice chute, for example using a wooden spoon.</li> </ul>
	<p data-bbox="532 1818 769 1850">Low water pressure.</p> <ul style="list-style-type: none"> <li>▶ Check the pressure of the water supply system or the external water filter system, e.g. reverse osmosis system.</li> </ul> <p data-bbox="561 1913 1500 1944">Connect the appliance only to a water connection with sufficient water pressure.</p> <p data-bbox="561 1944 678 1976">→ <i>Page 6</i></p>

<b>Issue</b>	<b>Cause and troubleshooting</b>
The ice and water dispenser is not functioning.	The water filter is blocked. ▶ Change the water filter. → <i>Page 18</i>
	There is no water being supplied to the appliance. ▶ Ensure that there is a water supply and that the shut-off valve on the water connection is open. Contact an installer if necessary.
	Kink in the water hose. ▶ Turn off the water supply and straighten the kink in water hose. If necessary, replace the water hose.
	Fault in the ice and water dispenser. 1. Switch off the appliance. → <i>Page 13</i> 2. Disconnect the appliance from the power supply. Unplug the power plug or switch off the circuit breaker in the fuse box. 3. Reconnect the appliance after 5 minutes. 4. Switch on the appliance. → <i>Page 13</i> 5. If the fault persists, call customer service. → <i>Page 28</i>
	The appliance hums, bubbles, buzzes, gargles, clicks, crackles or rumbles.
The appliance makes noises.	Not a fault. A motor is running, e.g. refrigerating unit, fan. Refrigerant is flowing through the pipes. The motor, switches, solenoid valves or water valves are switching on or off. Automatic defrosting is running. Ice cubes fall into the ice storage container. No action required.
	The appliance is not level. ▶ Align the appliance using a bubble level and the screw feet.
	The appliance is not free-standing. ▶ Observe the minimum clearances for the appliance.
	Fittings wobble or stick. ▶ Check the removable fittings and, if required, replace these.
	Bottles or containers are touching. ▶ Move the bottles or containers away from each other.
	Super freezing is switched on. No action required.

## 16.1 Power failure

During a power failure, the temperature in the appliance rises; this reduces the storage time and the quality of the frozen food.

### Notes

- Open the appliance as little as possible during a power failure and do not place any other food in the appliance.

- Check the quality of the food immediately after a power failure.
  - Dispose of any frozen food that has defrosted and is warmer than 41 °F (5 °C).
  - Cook or fry slightly thawed frozen food, and then either consume it or freeze it again.

## 16.2 Conducting an appliance self-test

Your appliance has an appliance self-test which displays faults that can be eliminated by your customer service.

1. Switch off the appliance. → *Page 13*
  2. Disconnect the appliance from the power supply.  
Unplug the appliance from the power source or switch off the circuit breaker in the fuse box.
  3. Connect the appliance to the electricity supply after 5 minutes. → *Page 7*
  4. Switch on the appliance. → *Page 13*
  5. Within the first 2 minutes after switching on, press and hold menu for 10 seconds until an audible signal sounds.
- ✓ The appliance self-test starts.
  - ✓ While the appliance self-test is running, a long audible signal sounds.

- ✓ If, at the end of the appliance self-test, two audible signals sound and the temperature display indicates the set temperature, your appliance is OK. The appliance switches to normal operation.
- ✓ If, at the end of the appliance self-test, 5 audible signals sound and the submenu setting display shows Er, inform customer service.

## 17 Storage and disposal

### 17.1 Taking the appliance out of operation

1. Switch off the appliance. → *Page 13*
2. Disconnect the appliance from the power supply.

Unplug the appliance from the power source or switch off the circuit breaker in the fuse box.

3. Disconnect the appliance from the drinking water connection.
4. Remove all of the food.
5. Remove the water filter. → *Page 18*
6. Clean the appliance. → *Page 20*
7. **NOTICE:** Objects jammed between the door and the housing may damage the door hinge.
  - ▶ Open the door until it remains open by itself.
  - ▶ Do not insert any objects between the door and the housing.

To ensure the ventilation inside the appliance, leave the appliance open.

## 17.2 Disposal of your old appliance

Environmentally compatible disposal allows valuable raw materials to be recycled.

### **WARNING**

Children can lock themselves in the appliance, thereby putting their lives at risk.

- ▶ Remove the appliance doors and the appliance drawer.
- ▶ To prevent children from climbing in, leave shelves and containers in the appliance.
- ▶ Keep children away from the discarded appliance.

### **WARNING**

If the tubes are damaged, flammable refrigerant and harmful gases may escape and ignite.

- ▶ Do not damage the tubes of the refrigerant circuit or the insulation.

1. Unplug the appliance from the power supply.
2. Cut through the power cord.
3. Dispose of the appliance in an environmentally responsible manner.

Information about current disposal methods can be obtained from your specialist dealer or local authority.

---

## 18 Customer Service

With any warranty repair, we will make sure your appliance is repaired by an authorized service provider using genuine replacement parts. We use only genuine replacement parts for all repairs.

Detailed information on the warranty period and terms of warranty can be found in the Statement of Limited Product Warranty, from your retailer, or on our website.

If you contact the Customer Service, you will need the model number (E-Nr.) and the production number (FD) of your appliance.

USA:

1-800-944-2904

[www.bosch-home.com/us/owner-support/get-support](http://www.bosch-home.com/us/owner-support/get-support)

[www.bosch-home.com/us/shop](http://www.bosch-home.com/us/shop)

CA:

1-800-944-2904

[www.bosch-home.ca/en/service/get-support](http://www.bosch-home.ca/en/service/get-support)

[www.bosch-home.ca/en/service/cleaners-and-accessories](http://www.bosch-home.ca/en/service/cleaners-and-accessories)

For assistance with connecting to Home Connect™, you can also view instructions here:

[www.home-connect.com/us/en/help-support/set-up](http://www.home-connect.com/us/en/help-support/set-up)

## 18.1 Model number (E-Nr.) and production number (FD)

You can find the model number (E-Nr.) and the production number (FD) on the appliance's rating plate.

→ "Appliance", Fig. **1/8**, Page 9

Making a note of your appliance's details and the Customer Service telephone number will enable you to find them again quickly.

---

## 19 Technical specifications

Refrigerant, cubic capacity and further technical specifications can be found on the rating plate.

→ "Appliance", Fig. **1/8**, Page 9

Pour plus d'informations, veuillez vous reporter au Guide de l'utilisateur numérique.



## Table des matières

<b>1 Sécurité</b> .....	<b>30</b>	8.4 Mode économie d'énergie.....	41
1.1 Définitions des termes de sécurité .....	30	8.5 Mode Fraîcheur .....	41
1.2 Indications générales .....	30	8.6 Éclairage intérieur.....	41
1.3 Conformité d'utilisation.....	30	8.7 Mode Sabbat .....	41
1.4 Restrictions au cercle d'utilisateurs .....	30	8.8 Notification du changement de filtre .....	41
1.5 Transport sûr.....	30	8.9 Statut de changement de filtre .....	42
1.6 Installation sûre.....	30	<b>9 Alarme</b> .....	<b>42</b>
1.7 Utilisation sûre .....	31	9.1 Alarme de porte .....	42
1.8 Appareil endommagé .....	32	9.2 Alarme de température .....	42
1.9 Mises en garde conformément à la proposition 65 de l'État de Californie .....	32	<b>10 Home Connect™</b> .....	<b>42</b>
<b>2 Prévenir les bris matériels</b> .....	<b>33</b>	10.1 Configurer Home Connect™.....	43
<b>3 Protection de l'environnement et économies</b> .....	<b>33</b>	10.2 Contrôler l'intensité du signal .....	43
3.1 Mise au rebut de l'emballage .....	33	10.3 Installer une mise à jour du logiciel Home Connect .....	43
3.2 Économiser de l'énergie.....	33	10.4 Réinitialisez les réglages Home Connect™ .....	43
<b>4 Installation et branchement</b> .....	<b>33</b>	10.5 Diagnostic à distance.....	44
4.1 Contenu de livraison .....	33	10.6 Protection des données .....	44
4.2 Critères pour le lieu d'installation.....	34	<b>11 Compartiment réfrigération</b> .....	<b>44</b>
4.3 Monter l'appareil.....	34	11.1 Conseils pour ranger des produits alimentaires dans le compartiment réfrigération.....	44
4.4 Préparer l'appareil pour la première utilisation .....	34	11.2 Zones froides dans le compartiment réfrigération.....	44
4.5 Brancher l'appareil au raccordement d'eau potable .....	34	<b>12 Compartiment congélation</b> .....	<b>44</b>
4.6 Raccordement électrique de l'appareil .....	34	12.1 Conseils pour ranger des aliments dans le compartiment congélation.....	44
<b>5 Description de l'appareil</b> .....	<b>35</b>	12.2 Conseils pour congeler des aliments frais.....	44
5.1 Appareil.....	35	12.3 Méthodes de décongélation pour aliments congelés .....	45
5.2 Bandeau de commande .....	36	<b>13 Système hydraulique</b> .....	<b>45</b>
5.3 Bandeau de commande (sous-menu) .....	37	13.1 Filtre à eau.....	45
5.4 Bandeau et éléments de commande (distributeur d'eau et de glace)commande .....	38	13.2 Distributeur d'eau et de glace .....	46
<b>6 Équipement</b> .....	<b>38</b>	<b>14 Dégivrer</b> .....	<b>47</b>
6.1 Clayette.....	38	14.1 Dégivrer le compartiment réfrigération .....	47
6.2 Bac de rangement.....	38	14.2 Dégivrer le compartiment congélation.....	47
6.3 Bac à fruits et légumes avec régulateur d'humidité... ..	38	<b>15 Nettoyage et entretien</b> .....	<b>47</b>
6.4 Séparateur de bac .....	39	15.1 Préparer l'appareil pour le nettoyage .....	47
6.5 Bac tiroir à aliments congelés .....	39	15.2 Nettoyer l'appareil .....	48
6.6 Bac à produits congelés suspendu.....	39	15.3 Nettoyer la cuvette d'égouttage.....	48
6.7 Compartiment de contre-porte .....	39	15.4 Retirer les pièces d'équipement .....	48
6.8 Réserve à glaçons .....	39	15.5 Démonter les pièces de l'appareil .....	50
<b>7 Opération de base</b> .....	<b>40</b>	<b>16 Dépannage</b> .....	<b>53</b>
7.1 Mettre l'appareil sous tension.....	40	<b>17 Entreposage et mise au rebut</b> .....	<b>56</b>
7.2 Remarques concernant le fonctionnement de l'appareil .....	40	17.1 Mettre l'appareil hors service .....	56
7.3 Éteindre l'appareil .....	40	17.2 Éliminer un appareil usagé .....	56
7.4 Régler l'unité de température .....	40	<b>18 Service à la clientèle</b> .....	<b>56</b>
7.5 Régler la température .....	40	18.1 Numéro de modèle (E-Nr.) et numéro de fabrication (FD) .....	56
<b>8 Fonctions additionnelles</b> .....	<b>40</b>	<b>19 Données techniques</b> .....	<b>56</b>
8.1 Super-réfrigération .....	40		
8.2 Super-congélation .....	40		
8.3 Mode Vacances .....	41		



# IMPORTANTES CONSIGNES DE SÉCURITÉ

## LIRE ET CONSERVER CES INSTRUCTIONS

Respectez les consignes de sécurité suivantes.

### 1.1 Définitions des termes de sécurité

Vous trouverez ici des explications sur les mots de signalisation de sécurité utilisés dans ce manuel.

#### **AVERTISSEMENT**

Signale un risque de mort ou de blessure grave si l'avertissement n'est pas respecté.

#### **MISE EN GARDE**

Signale un risque de blessures mineures ou modérées si l'avertissement n'est pas respecté.

#### **AVIS :**

Ceci indique que la non-conformité à cet avis de sécurité peut entraîner des dégâts matériels ou endommager l'appareil.

**Remarque :** Ceci vous signale des informations et/ou indications importantes.

### 1.2 Indications générales

- Lisez attentivement cette notice.
- Veuillez conserver la notice et les renseignements sur le produit en vue d'une réutilisation ultérieure ou pour un futur nouveau propriétaire.
- Ne branchez pas l'appareil si ce dernier a été endommagé durant le transport.

### 1.3 Conformité d'utilisation

Utilisez l'appareil uniquement :

- pour réfrigérer et congeler des aliments, pour la distribution de glaçons et d'eau.
- dans un domicile privé et dans une pièce fermée de l'environnement domestique.
- jusqu'à une altitude maximale de 13 100 pi (4000 m) au-dessus du niveau de la mer.

### 1.4 Restrictions au cercle d'utilisateurs

Cet appareil n'est pas destiné à être utilisé par des personnes (y compris des enfants) présentant des capacités physiques, sensorielles ou mentales réduites, à

moins qu'elles n'aient été informées de la manière d'utiliser l'appareil par une personne responsable de leur sécurité.

Ne permettez jamais aux enfants de jouer avec l'appareil. Le nettoyage de l'appareil et l'entretien par l'utilisateur sont des activités que les enfants ne peuvent pas effectuer sans surveillance.

### 1.5 Transport sûr

#### **AVERTISSEMENT**

Il peut être risqué de soulever l'appareil en raison de son poids élevé.

- ▶ Soulevez l'appareil à deux personnes.

### 1.6 Installation sûre

#### **AVERTISSEMENT**

Les installations non conformes sont dangereuses.

- ▶ Observer impérativement les indications figurant sur la plaque signalétique lors du raccordement et de l'utilisation de l'appareil.
- ▶ Brancher l'appareil uniquement à l'aide d'une fiche dûment installée avec mise à la terre dans une prise secteur à courant alternatif.
- ▶ Le système à conducteur de protection de l'installation électrique de la maison doit être installé correctement.
- ▶ Ne jamais alimenter l'appareil par l'intermédiaire d'un appareil de commutation externe, par ex. une minuterie ou une télécommande.
- ▶ Si l'appareil est encastré, la fiche du cordon d'alimentation secteur doit être librement accessible ou, si un accès libre est impossible, un dispositif de sectionnement tous pôles doit être installé dans l'installation électrique fixe, conformément aux réglementations d'installation.
- ▶ Veillez à ne pas coincer ou endommager le câble d'alimentation en posant l'appareil.

Le cordon d'alimentation pose un danger si sa gaine de protection est endommagée.

- ▶ Ne mettez jamais en contact le cordon d'alimentation avec des sources de chaleur.



# IMPORTANTES CONSIGNES DE SÉCURITÉ

## LIRE ET CONSERVER CES INSTRUCTIONS

### AVERTISSEMENT

Si les orifices de ventilation de l'appareil sont fermés, un mélange gaz-air inflammable peut se produire si le circuit de réfrigération fuit.

- ▶ Ne fermez pas les orifices de ventilation dans le boîtier de l'appareil ou dans le boîtier d'installation.

### AVERTISSEMENT

Il est dangereux d'utiliser un cordon d'alimentation rallongé ou un adaptateur non autorisé.

- ▶ Ne pas utiliser de rallonge ni de bloc multiprise.
- ▶ Utiliser uniquement les adaptateurs et cordons d'alimentation secteur autorisés par le fabricant.
- ▶ Si le cordon d'alimentation secteur est trop court et qu'aucun autre cordon plus long n'est disponible, contacter un électricien spécialisé pour adapter l'installation domestique.

Les blocs multiprises ou blocs secteur mobiles peuvent surchauffer et provoquer un incendie.

- ▶ Ne placez pas les blocs multiprises ou blocs secteur mobiles à l'arrière des appareils.

## 1.7 Utilisation sûre

### AVERTISSEMENT

L'humidité qui pénètre peut occasionner une électrocution.

- ▶ Utiliser l'appareil uniquement dans des pièces fermées.
- ▶ Ne jamais exposer l'appareil à une forte chaleur ou humidité.
- ▶ N'utilisez pas de nettoyeur haute pression ou de nettoyeur à vapeur pour nettoyer l'appareil.

### AVERTISSEMENT

Les enfants peuvent se passer le matériel d'emballage par-dessus la tête, s'y enrouler et s'y étouffer.

- ▶ Gardez le matériel d'emballage à l'écart des enfants.
- ▶ Ne permettez jamais aux enfants de jouer avec le matériel d'emballage.

Les enfants risquent d'inhaler ou d'avaler des petits morceaux et s'étouffer.

- ▶ Gardez les petits morceaux à l'écart des enfants.
- ▶ Ne permettez jamais aux enfants de jouer avec les petits morceaux.

### AVERTISSEMENT

L'endommagement du circuit de réfrigération peut provoquer la fuite et l'explosion du fluide frigorigène inflammable.

- ▶ Pour accélérer le dégivrage, n'utilisez pas d'autres dispositifs mécaniques ou d'autres produits que ceux recommandés par le fabricant.
- ▶ Détachez les aliments congelés à l'aide d'un objet émoussé, par exemple le manche d'une cuillère en bois.

Des produits contenant des gaz propulseurs inflammables et des matières explosives peuvent exploser, par ex. bombes aérosols.

- ▶ Ne stockez pas de produits contenant des gaz propulseurs inflammables et des matières explosives dans l'appareil.

### AVERTISSEMENT

Les appareils électriques à l'intérieur de l'appareil peuvent provoquer un incendie, par ex. appareils de chauffage ou fabriques de glace électriques.

- ▶ N'utilisez aucun appareil électrique à l'intérieur de l'appareil.

### AVERTISSEMENT

Les récipients contenant des boissons gazeuses risquent d'éclater.

- ▶ Ne stockez jamais de boissons gazeuses dans le compartiment congélation.

Lésions oculaires dues à la fuite de fluide frigorigène inflammable et de gaz nocifs.

- ▶ Veillez à ne pas endommager les tubulures du circuit frigorigère, ni l'isolant.

L'appareil peut basculer.

- ▶ Ne vous servez jamais du socle, des glissières ou des portes comme marchepieds et ne vous appuyez jamais dessus.

### AVERTISSEMENT

Un contact avec les produits congelés et les surfaces froides peut entraîner des brûlures par le froid.

- ▶ Ne portez jamais des produits surgelés à la bouche immédiatement après les avoir sortis du compartiment congélation.
- ▶ Évitez tout contact prolongé de la peau avec les produits congelés, la glace et les surfaces métalliques présents dans le compartiment congélation.



# IMPORTANTES CONSIGNES DE SÉCURITÉ

## LIRE ET CONSERVER CES INSTRUCTIONS

### MISE EN GARDE

Pour éviter toute contamination des produits alimentaires, respectez les instructions suivantes.

- ▶ L'ouverture prolongée de la porte peut entraîner une importante augmentation de la température dans les compartiments de l'appareil.
- ▶ Nettoyez régulièrement les surfaces qui peuvent entrer en contact avec des produits alimentaires et systèmes d'écoulement accessibles.
- ▶ Conservez la viande et le poisson crus dans des récipients appropriés dans le compartiment réfrigération de sorte qu'ils ne soient pas en contact avec d'autres aliments et qu'ils ne coulent pas dessus.
- ▶ Si le réfrigérateur/congélateur reste vide pendant une longue période, éteignez l'appareil, dégivrez-le, nettoyez-le et laissez la porte ouverte, afin d'éviter la formation de moisissures.

Les pièces métalliques ou d'aspect métallique de l'appareil peuvent contenir de l'aluminium. Si des aliments acides entrent en contact avec de l'aluminium, des ions d'aluminium peuvent être transférés dans les aliments.

- ▶ Ne consommez pas les aliments contaminés.

### 1.8 Appareil endommagé

#### AVERTISSEMENT

Un appareil endommagé ou un cordon d'alimentation secteur endommagé est dangereux.

- ▶ N'utilisez jamais un appareil endommagé.
- ▶ Ne jamais tirer sur le cordon d'alimentation secteur pour débrancher l'appareil du secteur. Toujours débrancher la fiche mâle du cordon d'alimentation secteur.
- ▶ Si l'appareil ou le cordon d'alimentation secteur est endommagé, débrancher immédiatement la fiche mâle du cordon d'alimentation secteur ou couper le fusible dans le boîtier à fusibles et fermer le robinet d'eau.
- ▶ Appelez le service après-vente. → *Page 56*

Les réparations non conformes sont dangereuses.

- ▶ Seules des pièces de rechange d'origine peuvent être utilisées pour réparer l'appareil.
- ▶ Si le cordon d'alimentation secteur de cet appareil est endommagé, il doit être remplacé par un cordon spécifique disponible auprès du fabricant ou de son service à la clientèle.

### AVERTISSEMENT



En cas d'endommagement des tuyaux, du fluide frigorigène inflammable et des gaz nocifs peuvent s'échapper et s'enflammer.

- ▶ Éloignez l'appareil de toute flamme nue ou source d'inflammation.
- ▶ Aérez la pièce.
- ▶ Éteindre l'appareil. → *Page 40*
- ▶ Retirez la fiche du cordon d'alimentation secteur ou désactivez le fusible dans la boîte à fusibles.
- ▶ Appelez le service après-vente. → *Page 56*

### 1.9 Mises en garde conformément à la proposition 65 de l'État de Californie

Ce produit pourrait contenir un produit chimique reconnu par l'État de la Californie comme cancérigène ou ayant des effets nocifs sur la reproduction. Par conséquent, vous pourriez devoir apposer l'étiquette suivante sur l'emballage du produit comme requis par la Californie :

STATE OF CALIFORNIA PROPOSITION 65 WARNING : /  
AVERTISSEMENT ISSUE DE LA PROPOSITION 65  
DE L'ÉTAT DE LA CALIFORNIE:

 **WARNING /  
AVERTISSEMENT**

Cancer and Reproductive Harm / Cancer et dommages à la reproduction - [www.P65Warnings.ca.gov](http://www.P65Warnings.ca.gov).



## 2 Prévenir les bris matériels

### AVIS :

Le poids élevé de l'appareil ou le basculement des roulettes de l'appareil risquent d'endommager le sol lors de son déplacement.

- ▶ Transportez l'appareil avec un diable.
- ▶ Lorsque vous déplacez l'appareil, protégez le sol et ne faites pas de zigzags.

Lorsque vous fermez la porte de l'appareil, un montant de porte déplié peut endommager l'appareil.

- ▶ Ne dépliez jamais le montant de porte manuellement.
- ▶ Lorsque le montant de porte est déplié, repliez-le avant de refermer la porte de l'appareil.

L'utilisation du socle, des glissières ou des portes de l'appareil comme surface d'assise ou comme marchepied peut endommager l'appareil.

- ▶ Ne vous servez jamais du socle, des glissières ou des portes comme marchepieds et ne vous appuyez jamais dessus.

Une pression de l'eau trop faible ou trop élevée peut gêner le fonctionnement de l'appareil.

- ▶ Assurez-vous que la pression d'eau au niveau de l'alimentation en eau est comprise entre 29 psi (200 kPa) minimum et 116 psi (800 kPa) maximum.
- ▶ Si la pression hydraulique excède la valeur maximale indiquée, un réducteur de pression entre le raccord d'eau potable et la trousse de tuyaux de l'appareil doit être installé.

Les tuyaux d'eau modifiés ou endommagés peuvent provoquer des dégâts matériels ou endommager l'appareil.

- ▶ Veillez à ne jamais plier, écraser, modifier ou couper les tuyaux d'eau.
- ▶ Ne réutilisez jamais des tuyaux d'eau usagés.
- ▶ Ne tirez jamais sur le tuyau d'eau ou sur la paroi arrière de l'appareil.

En cas de salissures provenant d'huile ou de graisse, des pièces en matière plastique et les joints de porte peuvent devenir poreux.

- ▶ Veillez à ce que les pièces en matière plastique et les joints de porte soient exempts d'huile et de graisse.

Les pièces métalliques ou d'aspect métallique de l'appareil peuvent contenir de l'aluminium. L'aluminium réagit en contact avec les aliments acides.

- ▶ Ne stockez pas d'aliments non emballés dans l'appareil.

## 3 Protection de l'environnement et économies

### 3.1 Mise au rebut de l'emballage

Les matériaux d'emballage sont écologiques et recyclables.

- ▶ Veuillez éliminer les pièces détachées après les avoir triées par matières.

<sup>1</sup> selon l'équipement de l'appareil

<sup>2</sup> Pas dans tous les pays

## 3.2 Économiser de l'énergie

Si vous respectez les instructions suivantes, votre appareil consommera moins de courant.

### Choisir le lieu d'installation

- Protégez l'appareil de la lumière directe du soleil.
- Installez l'appareil aussi loin que possible des radiateurs, des cuisinières et des autres sources de chaleur :
  - Respectez une distance de 1<sup>1</sup>/<sub>4</sub>" (30 mm) par rapport aux cuisinières électriques ou à gaz.
  - Respectez une distance de 11<sup>13</sup>/<sub>16</sub>" (300 mm) par rapport à un appareil de chauffage au fuel ou au charbon.
- Ne recouvrez et ne bouchez jamais les orifices de ventilation extérieurs.

### Économiser de l'énergie lors de l'utilisation

**Remarque :** La disposition des pièces d'équipement n'a aucune influence sur la consommation d'énergie de l'appareil.

- N'ouvrez que brièvement l'appareil et fermez-le avec précaution.
- Ne recouvrez et n'obstruez jamais les grilles de ventilation intérieures ni les orifices de ventilation extérieurs.
- Transportez les produits alimentaires achetés dans un sac isotherme et rangez-les rapidement dans l'appareil.
- Attendez que les aliments et les boissons chaudes refroidissent avant de les ranger.
- Pour profiter du froid des produits congelés, placez les produits à décongeler dans le compartiment réfrigération.
- Laissez toujours un peu de place entre les produits alimentaires et la paroi arrière.
- Aspirez la poussière des grilles de ventilation extérieures.

## 4 Installation et branchement

### 4.1 Contenu de livraison

Après avoir déballé le produit, inspectez toutes les pièces pour détecter d'éventuels dégâts dus au transport et vous assurer de l'intégralité de la livraison.

En cas de réclamation, veuillez vous adresser à votre revendeur ou auprès de notre service à la clientèle  
→ Page 56.

La livraison comprend :

- Appareil indépendant
- Des équipements et accessoires<sup>1</sup>
- Matériel de montage
- Notice de montage
- Le mode d'emploi
- Déclaration de garantie limitée du produit
- Le document annexe de la garantie<sup>2</sup>
- Le label énergétique
- Des informations relatives à la consommation d'énergie et aux bruits

- Des informations sur Home Connect™

## 4.2 Critères pour le lieu d'installation

### AVERTISSEMENT

Si l'appareil est installé dans une pièce trop petite, une éventuelle fuite du circuit de réfrigération pourrait donner lieu à un mélange de gaz et d'air inflammable.

- ▶ Placez l'appareil uniquement dans une pièce dont le volume minimum est de 35 ft<sup>3</sup> (1 m<sup>3</sup>) par 8 g de fluide frigorigène. La quantité de fluide frigorigène est indiquée sur la plaque signalétique. → "Appareil", Fig.

**1/8**, Page 36

Selon le modèle, le poids de l'appareil départ usine peut atteindre 320 lbs (145 kg).  
Le plancher doit être assez stable pour supporter le poids de l'appareil.

### Installation au-dessus et en-dessous, et côte à côte

Si vous souhaitez installer 2 réfrigérateurs superposés ou côte à côte, vous devez observer une distance d'au moins 150 mm entre les appareils. Pour les appareils sélectionnés, une installation sans distance minimale est possible. Demandez conseil à votre revendeur ou à votre cuisiniste.

## 4.3 Monter l'appareil

- ▶ Montez l'appareil selon les instructions de montage jointes.

## 4.4 Préparer l'appareil pour la première utilisation

1. Retirez le matériel d'informations.
2. Retirez les films protecteurs et les sécurités de transport, par ex. les bandes adhésives et le carton.
3. Nettoyez l'appareil pour la première fois. → Page 48

## 4.5 Brancher l'appareil au raccordement d'eau potable

### Exigence

- Une vanne d'arrêt est installée au niveau du raccordement d'eau et est librement accessible après l'installation de l'appareil.
  - Le raccordement d'eau est testé et la qualité de l'eau est potable.
1. Rincez soigneusement le raccordement d'eau potable jusqu'à ce qu'il n'y ait plus de dépôts ou de turbidité dans l'eau potable.  
En cas de dépôts permanents ou de turbidité dans l'eau potable, installez un système de filtre à eau externe.
  2. Installez le raccordement d'eau potable selon les instructions de montage jointes.

## 4.6 Raccordement électrique de l'appareil

1. Branchez la fiche mâle du cordon d'alimentation dans l'appareil.
2. Branchez la fiche secteur du cordon d'alimentation de l'appareil dans une prise murale à proximité de l'appareil.

Les données de raccordement de l'appareil sont indiquées sur la plaque signalétique. → "Appareil", Fig.

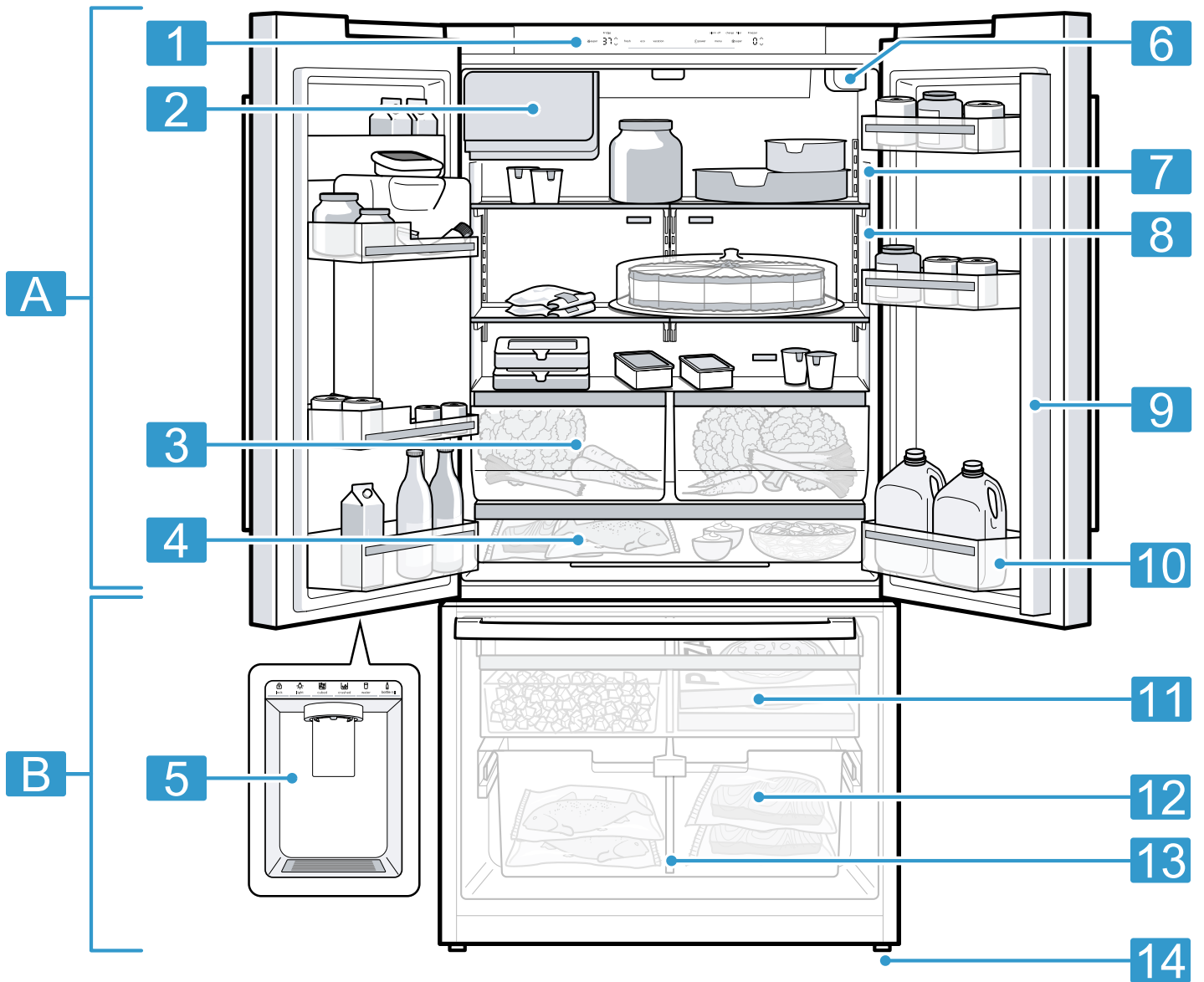
**1/8**, Page 36

3. S'assurer que la fiche est correctement insérée.
- ✓ L'appareil est maintenant prêt à fonctionner.

## 5 Description de l'appareil

### 5.1 Appareil

Cette section contient une vue d'ensemble des composants de votre appareil.



**1**

**A** Compartiment réfrigération → Page 44

**B** Compartiment congélation → Page 44

**1** Panneau de configuration → Page 36

**2** Réserve à glaçons

**3** Bac à fruits et légumes avec régulateur d'humidité → Page 38

**4** Bac de rangement → Page 38

**5** Distributeur d'eau et de glace → Page 46

**6** Filtre à eau → Page 45

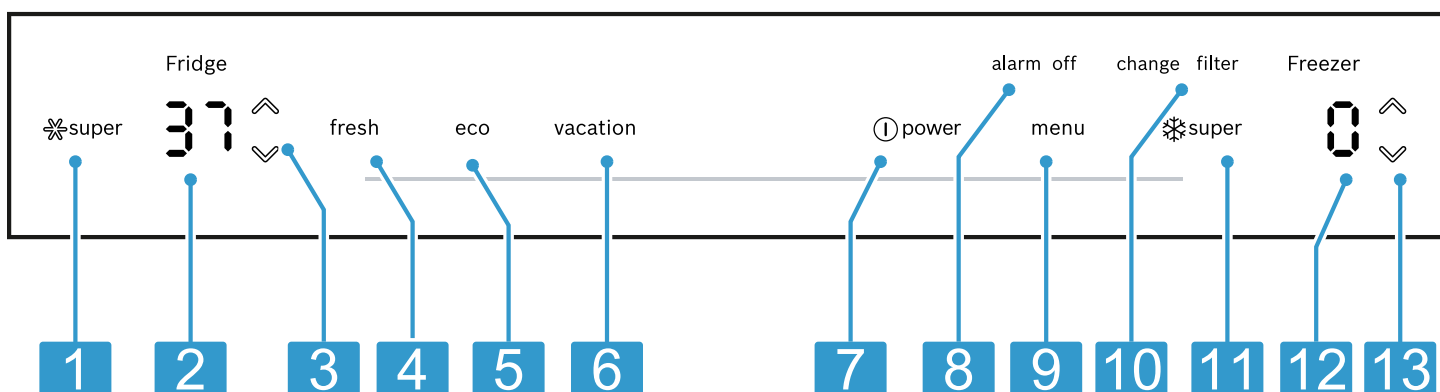
7	Éclairage intérieur
8	Plaque signalétique → Page 56
9	Montant de porte avec protection anti-condensation → Page 33
10	Compartiment de contre-porte pour grandes bouteilles → Page 39
11	Bac tiroir à aliments congelés → Page 39

12	Bac à produits congelés suspendu → Page 39
13	Séparateur de bac → Page 39
14	Pied à vis

**Remarque :** Selon l'équipement et la taille, des divergences sont possibles entre votre appareil et les illustrations.

## 5.2 Bandeau de commande

Le bandeau de commande vous permet de configurer toutes les fonctions de votre appareil et d'obtenir des informations sur son état de fonctionnement.

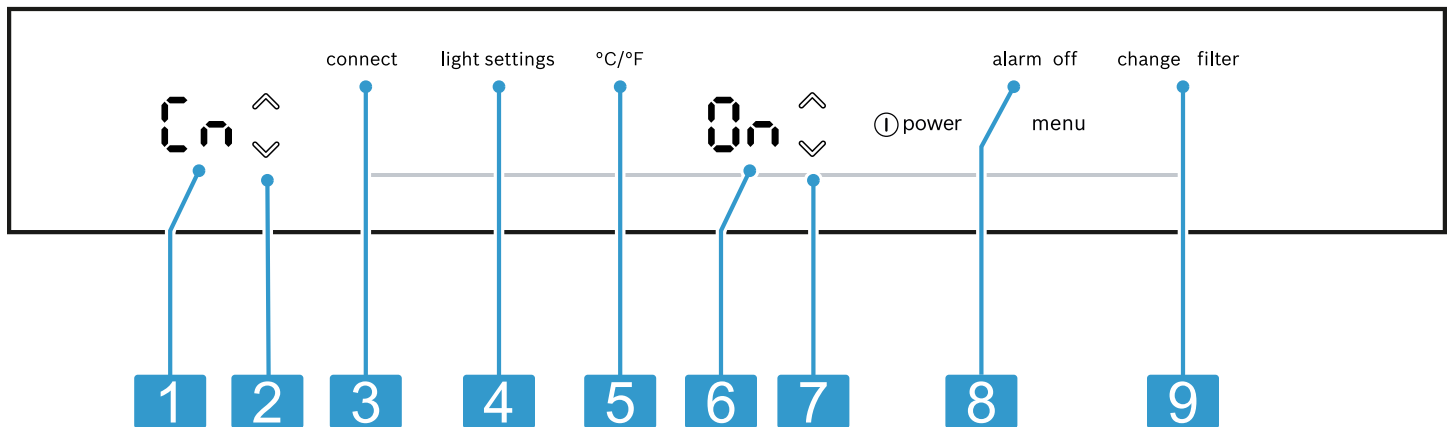


<b>2</b>	
1	❄️super active ou désactive la fonction Super-réfrigération.
2	Affiche la température réglée du compartiment réfrigération.
3	↕/↗ (réfrigérateur) règle la température du compartiment réfrigération.
4	fresh active ou désactive le mode Fraîcheur.
5	eco allume ou éteint le mode Économie d'énergie.
6	vacation active ou désactive le mode Vacances.
7	Ⓜpower allume ou éteint l'appareil.

8	alarm off éteint l'alarme.
9	menu ouvre et ferme le menu.
10	change filter s'allume lorsque le filtre doit être remplacé.
11	❄️super active ou désactive la fonction Super-congélation.
12	Affiche la température réglée du compartiment congélation en °C.
13	↕/↗ (congélateur) règle la température du compartiment congélation.

### 5.3 Bandeau de commande (sous-menu)

Le sous-menu vous permet d'effectuer d'autres réglages.

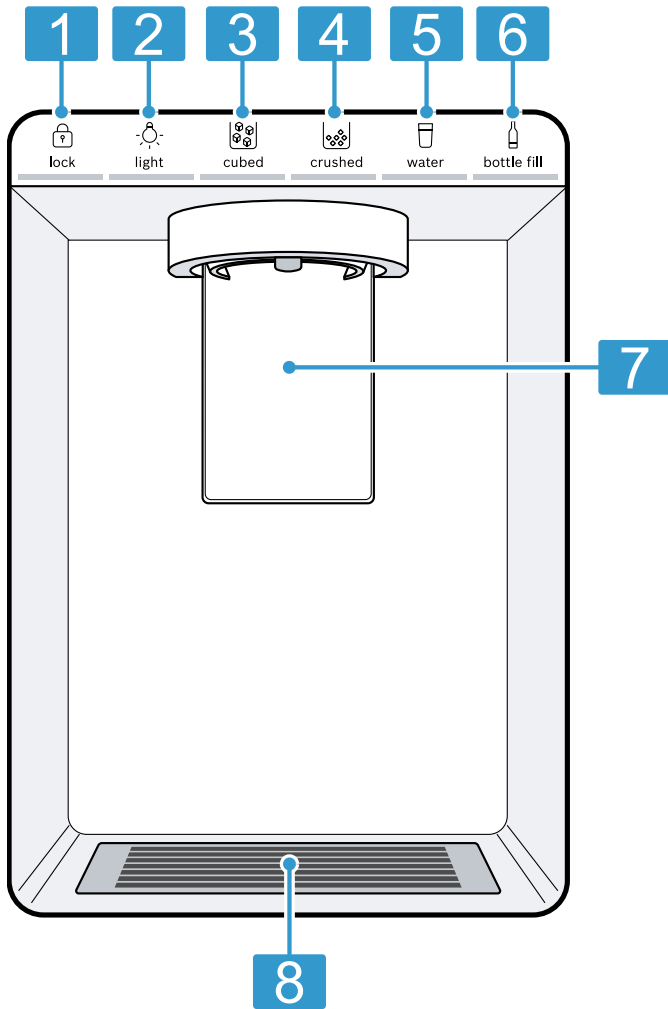


#### 3

- |   |   |
|---|---|
| 1 | Indique le sous-menu sélectionné.                           |
| 2 | ↕/↗ (sous-menu) permet de naviguer dans le sous-menu.       |
| 3 | connect ouvre le menu de réglage de Home Connect.           |
| 4 | light settings ouvre le menu de réglage de l'éclairage.     |
| 5 | °C/°F ouvre le menu pour modifier l'unité de température.   |
| 6 | Indique le réglage du sous-menu.                            |
| 7 | ↕/↗ (réglage du sous-menu) modifie le réglage du sous-menu. |
| 8 | alarm off ouvre le menu de réglage de l'alarme de porte.    |
| 9 | change filter ouvre le menu de réglage du filtre.           |

## 5.4 Bandeau et éléments de commande (distributeur d'eau et de glace) commande

Vous trouverez ici un aperçu des éléments du distributeur d'eau et de glace.



- 4**
- |          |   |
|----------|---|
| <b>1</b> | lock bloque ou déverrouille le distributeur d'eau et de glace.                  |
| <b>2</b> | light allume ou éteint l'éclairage permanent du distributeur d'eau et de glace. |
| <b>3</b> | cubed règle la distribution de glaçons.   |
| <b>4</b> | crushed règle la distribution de glace pilée.                                   |
| <b>5</b> | water règle la distribution d'eau.  |
| <b>6</b> | bottle fill règle la distribution d'eau sur une quantité définie.               |
| <b>7</b> | Bouton de prélèvement   |
| <b>8</b> | Grille de l'égouttoir → Page 48   |

## 6 Équipement

L'équipement de votre appareil dépend de son modèle.

### 6.1 Clayette

#### AVIS :

Les crochets de la clayette peuvent rayer la paroi arrière du compartiment réfrigération lorsqu'elle est accrochée en biais.

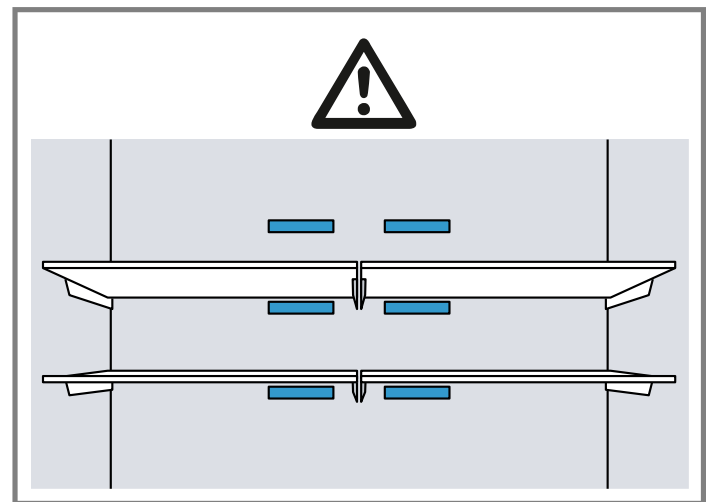
- ▶ Assurez-vous que la clayette est à l'horizontale et que les crochets sont bien enclenchés.

Pour varier la position de la clayette selon les besoins, vous pouvez retirer la clayette et la replacer à un autre endroit.

→ "Retirer la clayette", Page 48

#### Remarque

Pour ne pas entraver la circulation de l'air, ne pas couvrir les orifices d'aération intérieurs.



### 6.2 Bac de rangement

Les températures régnant dans le bac de rangement sont plus basses que dans le compartiment réfrigération. Des températures inférieures à 32 °F (0 °C) peuvent parfois se produire.

Pour atteindre des températures proches de 32 °F (0 °C) dans le bac de rangement, activez le mode Fraîcheur.

→ Page 41

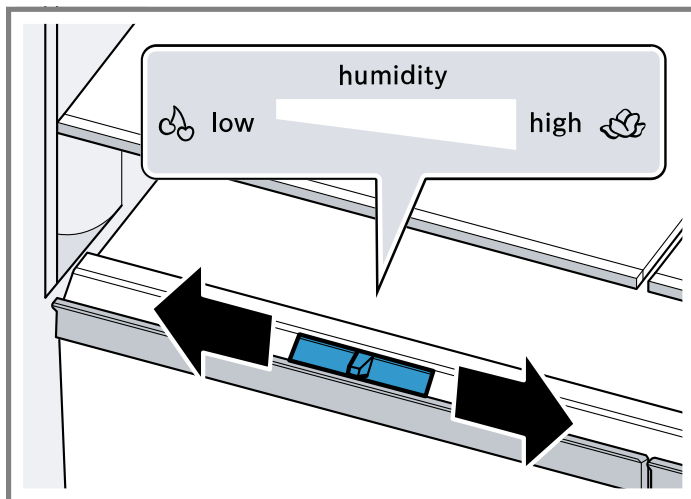
Utilisez les températures plus basses du bac de rangement pour conserver les aliments périssables, par ex. le poisson, la viande et la charcuterie.

### 6.3 Bac à fruits et légumes avec régulateur d'humidité



Stockez les fruits et légumes frais non emballés dans le bac à fruits et légumes.

Conservez les fruits et légumes coupés recouverts ou dans un emballage hermétique.

Le régulateur d'humidité vous permet d'adapter l'humidité de l'air dans le bac à fruits et légumes. Les fruits et légumes frais se conservent ainsi plus longtemps qu'avec un mode de rangement conventionnel.



Vous pouvez adapter l'humidité de l'air régnant dans le bac à fruits et légumes en fonction de la nature et de la quantité des aliments à ranger en déplaçant le régulateur d'humidité :

- Faible humidité  low en cas de stockage prédominant de fruits, de chargement mixte ou important.
- Humidité élevée high  en cas de stockage prédominant de légumes ou en cas de faible chargement.

Suivant la quantité et la nature des produits stockés, de l'eau peut se condenser dans le bac à fruits et légumes. Éliminer l'eau condensée avec un essuie-tout sec et régler un faible taux d'humidité de l'air à l'aide du régulateur d'humidité.

Afin de conserver leur qualité et leurs arômes, rangez les fruits et légumes sensibles au froid en dehors de l'appareil à des températures comprises entre 46 °F (8 °C) à 54 °F (12 °C) environ, par ex. les ananas, les bananes, les agrumes, les concombres, les courgettes, les poivrons, les tomates et les pommes de terre.

#### 6.4 Séparateur de bac

##### AVERTISSEMENT

Les enfants peuvent s'introduire dans l'appareil et s'étouffer.

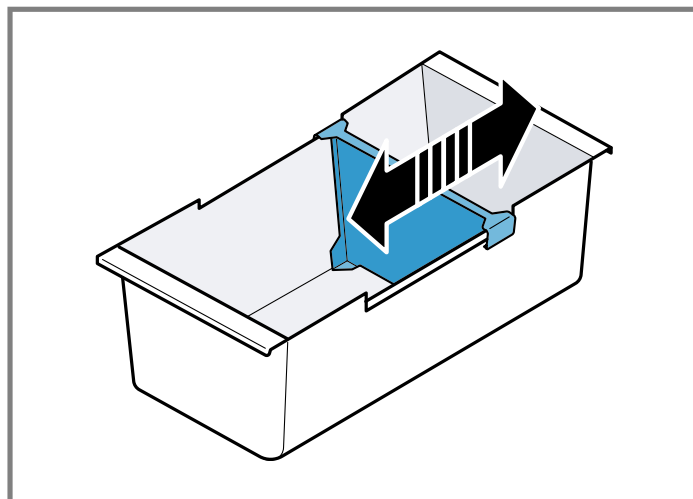
- ▶ Ne retirez jamais le séparateur du bac à produits congelés suspendu.

##### AVIS :

Le séparateur du bac à produits congelés suspendu est endommagé lors de son retrait.

- ▶ Ne retirez jamais le séparateur du bac à produits congelés suspendu.

Pour varier la répartition du bac à produits congelés suspendu, vous pouvez déplacer le séparateur de bac.



#### 6.5 Bac tiroir à aliments congelés

Pour obtenir une meilleure vue d'ensemble et pour retirer plus rapidement les aliments congelés, tirez le bac tiroir à aliments congelés.

#### 6.6 Bac à produits congelés suspendu

Stockez les aliments congelés volumineux dans le bac à produits congelés suspendu.

#### 6.7 Compartiment de contre-porte

Pour varier la position du compartiment dans la contreporte selon les besoins, vous pouvez le retirer et le replacer à un autre endroit.

→ "Retirer le compartiment de contre-porte", Page 48

#### 6.8 Réserve à glaçons

Si le distributeur d'eau et de glace est activé, la production de glaçons est automatiquement stockée dans le bac à glaçons.

##### AVERTISSEMENT

Le fait d'atteindre l'orifice de distribution du bac à glaçons peut provoquer des coupures.

- ▶ N'insérez jamais vos doigts dans l'orifice de distribution du bac à glaçons.

##### AVERTISSEMENT

Un contact avec les glaçons et les surfaces froides peut entraîner des brûlures par le froid.

- ▶ Évitez tout contact de la peau avec les glaçons et les surfaces métalliques du bac à glaçons.

##### AVIS :

Le distributeur d'eau et de glace peut être bloqué ou endommagé par des aliments ou des objets stockés dans le bac à glaçons.

- ▶ Ne stockez jamais d'aliments ou d'objets dans le bac à glaçons.
- ▶ Ne stockez jamais de glaçons fabriqués à l'extérieur dans le bac à glaçons.

##### Conseils

- Prélevez de plus grandes quantités de glaçons directement du bac à glaçons ou stockez-les dans le bac tiroir à aliments congelés. → Page 49

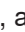
- Retirez le bac à glaçons à deux mains, car le bac rempli de glaçons est lourd.

---

## 7 Opération de base

### 7.1 Mettre l'appareil sous tension

- Raccordez l'appareil électriquement. → Page 34

**Remarque :** Si l'appareil a été préalablement éteint à l'aide du bandeau de commande, appuyez sur .

- ✓ L'appareil commence à réfrigérer.
  - ✓ Une alarme sonore retentit, l'affichage de la température (compartiment congélation) clignote et alarm off est allumé, car le compartiment congélation n'est pas encore assez froid.
- Éteignez l'alarme sonore avec alarm off.
    - ✓ alarm off s'éteint dès que la température réglée est atteinte.
  - Réglez la température souhaitée. → Page 40

### 7.2 Remarques concernant le fonctionnement de l'appareil


- Lorsque vous avez allumé l'appareil, il peut s'écouler jusqu'à plusieurs heures avant que la température réglée ne soit atteinte. Ne rangez aucun aliment avant que la température réglée ne soit atteinte.
- Les surfaces frontales et les parois latérales du boîtier sont légèrement chauffées temporairement. Cela permet d'éviter la condensation.
- Lorsque vous refermez la porte, une dépression peut se produire. La porte est alors difficile à rouvrir. Patientez quelques instants jusqu'à ce que la dépression soit compensée.

### 7.3 Éteindre l'appareil

- Appuyez sur .


### 7.4 Régler l'unité de température

Vous avez le choix entre les unités de température °F et °C.

- Appuyez sur menu.
- Appuyez sur °C/°F.
- Appuyez sur  (réglage du sous-menu) jusqu'à ce que l'affichage des réglages du sous-menu indique F ou C.
- Appuyez sur menu.


### 7.5 Régler la température

#### Régler la température du compartiment congélation

- Appuyer à plusieurs reprises sur  (réfrigérateur) jusqu'à ce que l'affichage de la température (compartiment réfrigération) indique la température souhaitée.

La température recommandée dans le compartiment réfrigération est de 37 °F (3 °C).

#### Régler la température du compartiment congélation

- Appuyez à plusieurs reprises sur  (congélateur) jusqu'à ce que l'affichage de la température (compartiment congélation) indique la température souhaitée.

La température recommandée dans le compartiment congélation est de 0 °F (-18 °C).

---

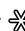

## 8 Fonctions additionnelles

### 8.1 Super-réfrigération

Avec la fonction Super-réfrigération, le compartiment réfrigération refroidit au maximum. Activez Super-réfrigération avant de ranger de grandes quantités d'aliments.

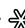
**Remarque :** Lorsque la fonction Super-réfrigération est activée, il est possible que l'appareil fonctionne plus bruyamment.

#### Activer la Super-réfrigération

- Appuyez sur .
- ✓  s'allume.

**Remarque :** Après environ 6 heures, l'appareil passe en mode de fonctionnement normal.

#### Désactivez la Super-réfrigération



- Appuyez sur .
- ✓ La température réglée auparavant s'affiche.

### 8.2 Super-congélation

Avec la fonction Super-congélation, le compartiment congélation refroidit au maximum. Activez la fonction Super-congélation 1 à 2 heures avant de ranger une quantité d'aliments à partir de 2 kg (4,4 lb) dans le compartiment congélation. Utilisez Super-congélation pour accélérer la production de glaçons.

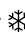
**Remarque :** Lorsque la fonction Super-congélation est activée, il est possible que l'appareil fonctionne plus bruyamment.

#### Allumez la Super-congélation

- Appuyez sur .
- ✓  s'allume.

**Remarque :** Après environ 8 heures, l'appareil passe en mode de fonctionnement normal.

#### Désactiver la Super-congélation

- Appuyez sur .
- ✓ La température réglée auparavant s'affiche.



### 8.3 Mode Vacances

Si vous vous absentez pendant une longue période, vous pouvez activer le mode Vacances pour économiser l'énergie sur l'appareil.

#### **⚠ MISE EN GARDE**

Lorsque le mode Vacances est activé, le compartiment réfrigération se réchauffe. L'augmentation de la température peut entraîner la multiplication des bactéries et l'altération des aliments.

- ▶ Quand le mode Vacances est activé, ne stockez pas d'aliments dans le compartiment réfrigération.

L'appareil adapte automatiquement les températures.

Compartiment réfrigération	43 °F (6 °C)
Compartiment congélation	Température inchangée

**Remarque :** En mode Vacances, la production de glaçons et la distribution d'eau et de glaçons sont désactivés.

#### **Activer le mode Vacances**

- ▶ Appuyez sur vacation.
- ✓ vacation s'allume.

#### **Désactiver le mode Vacances**

- ▶ Appuyez sur vacation.
- ✓ La température réglée auparavant s'affiche.

### 8.4 Mode économie d'énergie

Le mode Économie d'énergie permet de commuter en mode de fonctionnement économe en énergie. L'appareil adapte automatiquement les températures.

Compartiment réfrigération	43 °F (6 °C)
Compartiment congélation	6 °F (-14 °C)

#### **Activer le mode Économie d'énergie**

- ▶ Appuyez sur eco.
- ✓ eco s'allume.

#### **Désactiver le mode Économie d'énergie**

- ▶ Appuyez sur eco.
- ✓ La température réglée auparavant s'affiche.

### 8.5 Mode Fraîcheur

Pour conserver les aliments frais plus longtemps, vous pouvez activer le mode Fraîcheur sur l'appareil. L'appareil adapte automatiquement les températures.

Compartiment réfrigération	36 °F (2 °C)
Compartiment congélation	Température inchangée

#### **Activer le mode fraîcheur**

- ▶ Appuyez sur fresh.
- ✓ fresh s'allume.

#### **Désactiver le mode fraîcheur**



- ▶ Appuyez sur fresh.
- ✓ La température réglée auparavant s'affiche.

### 8.6 Éclairage intérieur

Vous pouvez éteindre l'éclairage intérieur ou régler la luminosité.

0	Éclairage intérieur éteint
1	Luminosité minimale
5	Luminosité maximale

#### **Régler l'éclairage intérieur**

1. Appuyez sur menu.
2. Appuyez sur light settings.
3. Appuyez sur / (réglage du sous-menu) jusqu'à ce que le réglage souhaité apparaisse dans l'affichage des réglages du sous-menu.
4. Appuyez sur menu.

### 8.7 Mode Sabbat

Pour vous permettre d'utiliser l'appareil pendant le sabbat, le Mode Sabbat désactive toutes les fonctions non essentielles.

En Mode Sabbat les fonctions suivantes sont désactivées :

- Super-réfrigération
- Super-congélation
- Alarme
- Distributeur d'eau
- Production et distribution de glaçons
- Éclairage intérieur
- Signaux sonores
- Messages sur le bandeau de commande

**Remarque :** Pendant le Mode Sabbat l'éclairage du bandeau de commande est moins lumineux.

#### **Allumez le Mode Sabbat**

- ▶ Maintenez enfoncé vacation pendant 10 secondes jusqu'à l'émission d'un signal sonore.
- ✓ alarm s'allume.

**Remarque :** Au bout d'environ 80 heures, l'appareil revient en fonctionnement normal.

#### **Désactivez le Mode Sabbat**

- ▶ Maintenez enfoncé alarm pendant 5 secondes jusqu'à l'émission d'un signal sonore.

### 8.8 Notification du changement de filtre

La notification de changement de filtre s'active tous les 6 mois. change filter s'allume.

**Remarque :** En cas d'augmentation de la consommation d'eau, la notification de changement de filtre s'enclenche plus tôt.

#### **Désactiver la notification de changement de filtre**


1. Remplacez le filtre à eau.  
Le capuchon bypass ne doit pas être changé.
  2. Maintenez change filter appuyé pendant 3 secondes.
- ✓ change filter s'éteint.
  - ✓ Le statut de changement du filtre est réinitialisé.

## 8.9 Statut de changement de filtre

Si vous remplacez le filtre avant la notification de changement de filtre, réinitialisez le statut de changement de filtre.

I	Mesure du statut de changement de filtre en cours
0	Réinitialiser le statut de changement de filtre

### Réinitialiser le statut de changement de filtre

1. Appuyez sur menu.
2. Appuyez sur change filter.
- ✓ L'affichage des réglages du sous-menu indique I.
3. Appuyez sur  (réglage du sous-menu).
- ✓ L'affichage des réglages du sous-menu indique 0.
4. Appuyez sur menu.

## 9 Alarme

### 9.1 Alarme de porte

L'alarme de porte retentit lorsque la porte de l'appareil reste ouverte longtemps. Une alarme sonore retentit et alarm off clignote.

#### Désactiver l'alarme de porte


- ▶ Fermez la porte de l'appareil ou appuyez sur alarm off.
- ✓ L'alarme sonore est désactivée.
- ✓ alarm off s'éteint.

#### Alarme de porte sonore


Vous pouvez activer ou désactiver l'alarme de porte sonore.

0n	Alarme de porte sonore activée
0F	Alarme de porte sonore désactivée

#### Activer l'alarme de porte sonore

1. Appuyez sur menu.
2. Appuyez sur alarm off.
3. Appuyez sur  (réglage du sous-menu) jusqu'à ce que le réglage souhaité apparaisse dans l'affichage des réglages du sous-menu.
4. Appuyez sur menu.

#### Désactiver l'alarme de porte sonore

1. Appuyez sur menu.
2. Appuyez sur alarm off.
3. Appuyez sur  (réglage du sous-menu) jusqu'à ce que le réglage souhaité apparaisse dans l'affichage des réglages du sous-menu.
4. Appuyez sur menu.

### 9.2 Alarme de température

Si la température monte trop dans le compartiment congélation, l'alarme de température retentit. Une alarme sonore retentit, la température réglée (congélateur) et alarm off clignotent.

### ⚠ MISE EN GARDE

Lors de la décongélation, les bactéries peuvent se multiplier et les aliments congelés peuvent s'abîmer.

- ▶ Ne remettez pas à congeler des produits alimentaires partiellement ou entièrement décongelés.
- ▶ Ne recongelez les aliments qu'après avoir les avoir fait cuire ou rôti.
- ▶ N'utilisez plus la durée de conservation dans son intégralité.

L'alarme de température peut s'enclencher dans les cas suivants :

- L'appareil est mis en route. Attendez que la température réglée soit atteinte avant de ranger les produits.
- Rangement de grandes quantités de produits alimentaires frais. Activez Super-congélation avant de ranger de grandes quantités de nourriture.
- Porte du compartiment congélation restée trop longtemps ouverte. Vérifiez si les produits surgelés ont été décongelés.

### Éteindre l'alarme de température

- ▶ Appuyez sur alarm off.
- ✓ L'alarme sonore est désactivée.
- ✓ L'affichage de la température (compartiment congélation) indique brièvement la température la plus élevée qui a régné dans le compartiment congélation. Ensuite, l'affichage de la température (compartiment congélation) indique à nouveau la température réglée.
- ✓ À partir de ce moment-là, l'appareil détermine et enregistre à nouveau la température la plus élevée.

## 10 Home Connect™

Cet appareil peut être mis en réseau. Branchez votre appareil à un appareil mobile pour en effectuer la commande via l'application Home Connect™.

Les Home Connect™ ne sont pas proposés dans tous les pays. La disponibilité de la fonction Home Connect™ de l'offre des services Home Connect™ dans votre pays. Vous trouverez de plus amples informations à ce sujet à l'adresse : [www.home-connect.com](http://www.home-connect.com).

Pour utiliser Home Connect™, configurez d'abord la connexion à votre réseau domestique WLAN (Wi-Fi<sup>1</sup>) et à l'application Home Connect™.

Attendez au moins 2 minutes après la mise en marche de l'appareil, jusqu'à ce que l'initialisation interne de l'appareil soit achevée. Réglez ensuite d'abord Home Connect™.

L'application Home Connect™ vous guide tout au long du processus de connexion. Suivez les étapes prescrites par l'application Home Connect™ pour procéder aux réglages.

#### Conseils

- Pour ce faire, observez les documents Home Connect™ fournis.
- Observez également les consignes dans l'application Home Connect™.

<sup>1</sup> Wi-Fi est une marque déposée de la société Wi-Fi Alliance.

## Remarques

- Observez les consignes de sécurité de la présente notice d'utilisation et assurez-vous qu'elles sont également respectées si vous utilisez l'appareil via l'application Home Connect™.  
→ "Sécurité", Page 30
- Les commandes sur l'appareil même ont toujours priorité. Pendant ce temps, la commande via l'application Home Connect™ n'est pas possible.

## 10.1 Configurer Home Connect™

**Exigence :** L'appli Home Connect™ est configurée sur l'appareil mobile.

1. Scannez le code QR à l'aide de l'appli Home Connect™.



2. Suivez les instructions de l'appli Home Connect™.

## 10.2 Contrôler l'intensité du signal

Vous devez contrôler l'intensité du signal s'il n'est pas possible d'établir de connexion.

1. Appuyez sur menu.
  - ✓ connect s'allume et l'affichage du sous-menu indique **En**.
2. Appuyez sur la touche **↘/↗** (sous-menu) jusqu'à ce que l'affichage du sous-menu indique **5i**.
  - ✓ L'affichage des réglages du sous-menu indique une valeur entre **0** (aucune réception) et **3** (réception totale).
3. Appuyez sur menu.

**Remarque :** Le signal doit avoir une intensité minimale de **2**.

### Améliorer la réception

La connexion peut être coupée si l'intensité du signal est trop faible.

- ▶ Réalisez l'une des solutions possibles :
  - Rapprochez davantage le routeur du réfrigérateur.
  - Assurez-vous que la connexion n'est pas perturbée par des murs qui font écran.
  - Installez un répéteur pour amplifier le signal.

## 10.3 Installer une mise à jour du logiciel Home Connect

L'appareil recherche régulièrement des mises à jour du logiciel Home Connect™.

**Remarque :** Lorsque des mises à jour sont disponibles, l'affichage du sous-menu indique **UP**.

Pour interrompre la mise à jour et réinitialiser l'affichage du sous-menu sur la température réglée, appuyez sur un champ tactile quelconque.

1. Appuyez sur menu.
  - ✓ connect s'allume et l'affichage du sous-menu indique **En**.
2. Appuyez sur **↘/↗** (sous-menu) jusqu'à ce que l'affichage du sous-menu indique **UP** et que l'affichage des réglages du sous-menu indique **0F**.
3. Appuyez sur **↗** (réglage du sous-menu).
  - ✓ L'affichage des réglages du sous-menu montre une animation.
  - ✓ La mise à jour est en cours d'installation.
  - ✓ Pendant l'installation, le bandeau de commande est verrouillé.
  - ✓ Si l'installation est réussie, l'affichage des réglages du sous-menu indique **0n**.
4. Si l'affichage des réglages du sous-menu indique **Er**, cela signifie que l'appareil n'a pas pu installer la mise à jour.
  - Répétez l'opération ultérieurement.
5. Si la mise à jour n'a pas pu être finalisée après plusieurs tentatives, contactez le service après-vente  
→ Page 56 .

## 10.4 Réinitialisez les réglages Home Connect™

Si vous rencontrez des problèmes de connexion de votre appareil à votre réseau domestique WLAN (Wi-Fi) ou si vous souhaitez enregistrer votre appareil dans un autre réseau domestique WLAN (Wi-Fi), vous pouvez réinitialiser les réglages de Home Connect™.

1. Appuyez sur menu.
  - ✓ connect s'allume et l'affichage du sous-menu indique **En**.
2. Appuyez sur **↘/↗** (sous-menu) jusqu'à ce que l'affichage du sous-menu indique **rE** et que l'affichage des réglages du sous-menu indique **0F**.
3. Appuyez sur **↗** (réglage du sous-menu).
  - ✓ L'affichage des réglages du sous-menu montre une animation pendant environ 15 secondes.
  - ✓ L'affichage des réglages du sous-menu indique **0n**.
  - ✓ Les réglages de Home Connect™ sont réinitialisés.
4. Appuyez sur menu.

## 10.5 Diagnostic à distance

Le service à la clientèle peut accéder à votre appareil via le diagnostic à distance si vous en faites la demande spécifique, si votre appareil est connecté au serveur Home Connect™ et si le diagnostic à distance est disponible dans le pays où vous utilisez l'appareil.

**Conseil :** Pour plus d'informations et pour connaître la disponibilité du service de diagnostic à distance dans votre pays, veuillez consulter la section Service/Support du site Web local : [www.home-connect.com](http://www.home-connect.com)

## 10.6 Protection des données

Observez les consignes de protection des données. Lors de la première connexion de votre appareil à un réseau domestique branché à Internet, votre appareil transmet les catégories de données suivantes au serveur Home Connect™ (premier enregistrement) :

- Code d'appareil univoque (constitué de clés d'appareil ainsi que de l'adresse MAC du module de communication Wi-Fi intégré).
- Certificat de sécurité du module de communication Wi-Fi (pour la protection des informations de la connexion).
- La version actuelle du logiciel et du matériel de l'électroménager.
- État d'une précédente restauration éventuelle des réglages d'usine.

Ce premier enregistrement prépare l'utilisation des fonctions Home Connect™ et ne s'avère nécessaire qu'au moment où vous voulez utiliser les fonctions Home Connect™ pour la première fois.

**Remarque :** Veuillez noter que les fonctions Home Connect™ ne sont utilisables qu'avec l'application Home Connect™. Vous pouvez consulter les informations sur la protection des données dans l'application Home Connect™.

## 11 Compartiment réfrigération

Le compartiment réfrigération permet de conserver la viande, le poisson, les produits laitiers, les œufs, les boissons, les plats cuisinés et les pâtisseries.

La température est réglable de 33 °F (1 °C) à 43 °F (6 °C).

Le stockage au froid vous permet aussi de ranger des denrées facilement périssables à court et moyen terme. Plus la température choisie est basse, plus les aliments restent frais plus longtemps.

### 11.1 Conseils pour ranger des produits alimentaires dans le compartiment réfrigération

- Stockez uniquement des aliments frais et intacts.
- Conservez les aliments dans un récipient hermétique ou couvert.
- Pour ne pas entraver la circulation de l'air et pour éviter que les aliments ne gèlent, ne placez pas les aliments devant les ouvertures de ventilation internes ou en contact direct avec la paroi arrière.
- Laissez les boissons et aliments chauds refroidir avant de les ranger.

- Respectez la date de péremption ou la date limite d'utilisation indiquée par le fabricant.

### 11.2 Zones froides dans le compartiment réfrigération

L'air circulant dans le compartiment réfrigération engendre des zones différemment froides.

#### Zone la plus froide

La zone la plus froide se trouve dans le bac de rangement.

**Conseil :** Rangez les aliments périssables dans la zone la plus froide, par ex. le poisson, la charcuterie et la viande.

#### Zone la moins froide

La zone la moins froide se trouve complètement en haut, contre la porte.

**Conseil :** Rangez-y par ex. les fromages à pâte dure et le beurre. Le fromage peut ainsi continuer à développer son arôme, tandis que le beurre reste facile à tartiner.

## 12 Compartiment congélation

Dans le compartiment congélation, vous pouvez stocker des aliments congelés, congeler des aliments et confectionner des glaçons.

La température est réglable de 6 °F (-14 °C) à -7 °F (-22 °C).

La température de stockage à long terme des aliments doit se situer à 0 °F (-18 °C) ou encore plus bas. La congélation vous permet de stocker les aliments facilement périssables à long terme. Les basses températures ralentissent ou stoppent la l'altération des aliments.

### 12.1 Conseils pour ranger des aliments dans le compartiment congélation

- Conservez les aliments dans des emballages hermétiques.
- Veillez à ce que les aliments à congeler n'entrent pas en contact avec d'autres déjà congelés.
- Répartissez les aliments sur une grande surface dans le bac à produits congelés suspendu.
- Pour congeler de grandes quantités d'aliments frais rapidement et en douceur, placez-les dans le bac tiroir à aliments congelés.

### 12.2 Conseils pour congeler des aliments frais

- Congelez uniquement des aliments frais et d'un aspect impeccable.
- Congelez les aliments en portions.
- Les plats cuisinés sont plus appropriés que les aliments crus comestibles.
- Lavez, hachez et blanchissez les légumes avant de les congeler.
- Avant la congélation, lavez les fruits, retirez les pépins et épluchez les fruits si nécessaire, ajoutez du sucre ou une solution d'acide ascorbique si nécessaire.

- Les produits de boulangerie, le poisson et les fruits de mer, la viande, le gibier et la volaille, les œufs sans coquille, le fromage, le beurre, le caillé, les plats préparés et les restes se prêtent à la congélation.
- La laitue, les radis, les œufs en coquille, les raisins, les pommes et poires crues, le yaourt, la crème aigre, la crème fraîche et la mayonnaise ne se prêtent pas à la congélation.

### Emballer les surgelés

Un matériau d'emballage approprié et le bon type d'emballage sont essentiels pour maintenir la qualité du produit et éviter les brûlures de congélation.

1. Placez les aliments dans l'emballage.
2. Pressez pour chasser l'air.
3. Fermez hermétiquement l'emballage afin que les aliments ne perdent pas leur saveur ou ne se dessèchent pas.
4. Indiquez sur l'emballage le contenu et la date de congélation.

## 12.3 Méthodes de décongélation pour aliments congelés

### ⚠ MISE EN GARDE

Lors de la décongélation, les bactéries peuvent se multiplier et les aliments congelés peuvent s'abîmer.

- ▶ Ne remettez pas à congeler des produits alimentaires partiellement ou entièrement décongelés.
  - ▶ Ne recongelez les aliments qu'après avoir les avoir fait cuire ou rôtir.
  - ▶ N'utilisez plus la durée de conservation dans son intégralité.
- Décongelez les aliments d'origine animale dans le réfrigérateur, par exemple le poisson, la viande, le fromage et le lait caillé.
  - Décongelez le pain à température ambiante.
  - Préparez les aliments au micro-ondes, au four ou sur la cuisinière pour une consommation immédiate.

## 13 Système hydraulique

Votre appareil est doté de composants contenant de l'eau. Le système hydraulique fonctionne uniquement si un filtre à eau ou un capuchon bypass est installé.

Désactivez la production de glaçons avant de débrancher l'appareil du raccord d'eau potable. → Page 47

### 13.1 Filtre à eau

Le filtre à eau filtre les particules et le goût de chlore de l'eau.

Le filtre à eau réduit d'autres impuretés, par exemple les chloramines, le plomb et les produits pharmaceutiques.

**Remarque :** Le filtre à eau ne filtre pas les bactéries ou microbes.

Changez le filtre à eau :

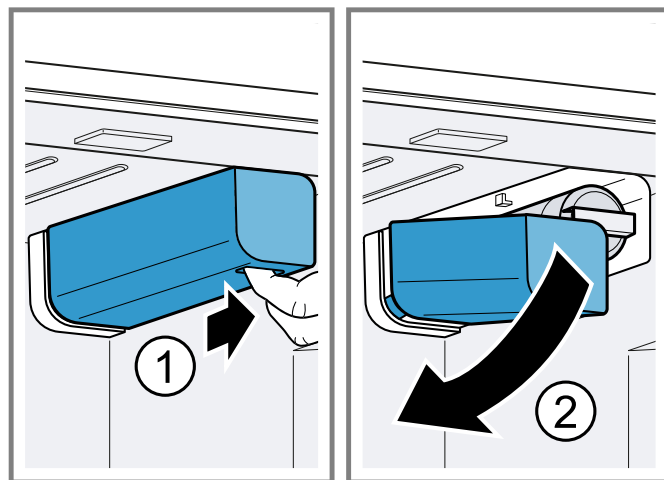
- tous les 6 mois.
- lorsque change filter s'allume.
- lorsque le débit d'eau est visiblement réduit.

### Conseils

- Pour un filtre à eau neuf, adressez-vous à notre service après-vente, à votre revendeur ou consultez notre site Web.
- Si vous ne souhaitez pas utiliser de filtre à eau dans votre appareil ou faire installer un système de filtre à eau externe, vous pouvez remplacer le filtre à eau de façon permanente par un capuchon bypass. Le capuchon bypass filtre uniquement les particules grossières de l'eau et peut être nettoyé si nécessaire. Pour un capuchon bypass, adressez-vous à notre service après-vente ou consultez notre site Web.

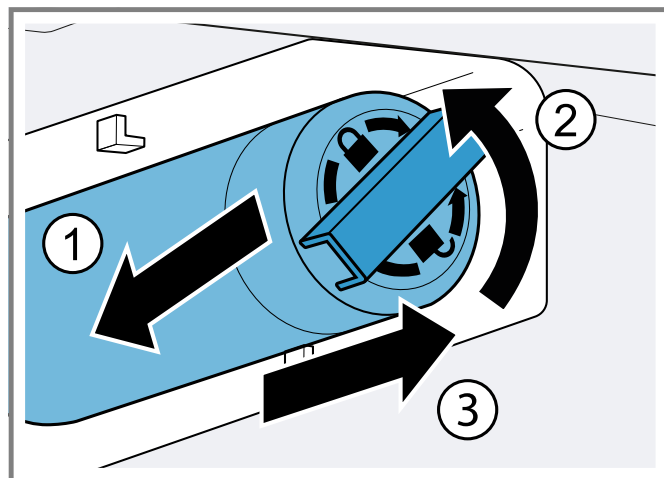
### Changer le filtre à eau ou le remplacer par un capuchon bypass

1. Agrippez le couvercle du filtre par la rainure située en-dessous, tirez-le légèrement vers l'avant ① et rabattez-le vers la gauche ②.



2. Rabattez le filtre à eau vers le bas à gauche ①, tournez-le de 90° dans le sens inverse des aiguilles d'une montre ② et retirez-le ③.

– Retirez le filtre à eau avec précaution car il peut se trouver sous pression.



**Remarque :** Une partie de l'eau s'égoutte du filtre à eau lorsque vous le retirez. Essuyez l'eau qui s'égoutte avec un essuie-tout sec.

**Conseil :** Vous pouvez jeter le filtre à eau usé avec les ordures ménagères.

3. Poussez le nouveau filtre à eau ou capuchon bypass jusqu'en butée dans l'ouverture du filtre, puis faites-le pivoter à 90° dans le sens des aiguilles d'une montre et rabattez-le vers le haut et la droite.
4. Rabattez le couvercle du filtre vers le haut à droite et repoussez-le jusqu'en butée.
5. Jetez tous les glaçons produits au cours des premières 24 heures, prélevez de l'eau pendant 5 minutes et jetez-la.

### 13.2 Distributeur d'eau et de glace

Utilisez le distributeur d'eau et de glace pour prélever les glaçons, la glace pilée et l'eau réfrigérée. Pour atteindre une production maximale de glaçons de 5,4 kg (12 livres) sur une période de 24 heures :

- Réglez le compartiment congélateur sur la température la plus froide.
- Videz le bac à glaçons tous les 3 heures.

La quantité de production de glaçons varie selon les conditions suivantes :

- Fréquence des ouvertures de l'appareil
- Chargement de produits alimentaires
- Température et humidité ambiantes
- Pression de l'eau et état du filtre à eau

**Remarque :** Le distributeur d'eau et de glace est verrouillé lorsque la porte de l'appareil est ouverte.

#### Mettre en service le distributeur d'eau et de glace

##### Remarques

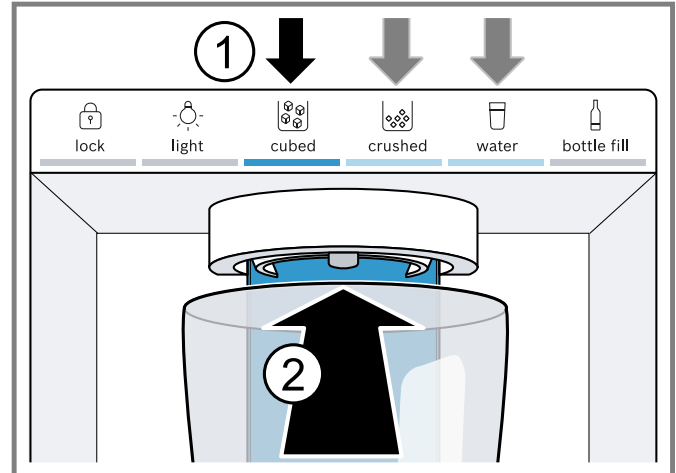
- La production de glaçons démarre dès que l'appareil est allumé et que le compartiment congélation a atteint la température réglée.
- Les premiers glaçons sont prêts environ 4 heures après que le compartiment congélation ait atteint la température réglée.
- Le système hydraulique d'un appareil nouvellement branché, ou pourvu d'un filtre à eau neuf, contient de l'air.

**Exigence :** L'appareil est raccordé à l'eau potable.

1. Faites couler l'eau jusqu'à ce qu'elle ne contienne plus de bulles d'air.  
Essuyez les éclaboussures d'eau avec un essuie-tout sec.
2. Pour des raisons d'hygiène, prélevez et jetez l'eau produite pendant 5 minutes.
3. Pour des raisons d'hygiène, jetez tous les glaçons produits pendant les 24 premières heures.

#### Prélever des glaçons ou de l'eau

- ▶ Appuyez sur l'option de sélection souhaitée ① puis appuyez le verre contre le bouton de prélèvement ②.



**Conseil :** Tenez le verre directement sous l'orifice de distribution.

##### Remarques

- Après un certain temps de prélèvement continu, le distributeur d'eau et de glace s'arrête. Patientez quelques secondes avant de prélever à nouveau de l'eau ou de la glace.
- Après quelques cycles de prélèvement consécutifs, le distributeur d'eau et de glace s'arrête. Patientez quelques minutes avant de prélever à nouveau de l'eau ou de la glace.
- En passant de cubed à crushed quelques glaçons peuvent être distribués lors du prochain prélèvement.
- En passant de crushed à cubed de la glace pilée peut être distribuée lors du prochain prélèvement.

#### Option de remplissage de bouteille

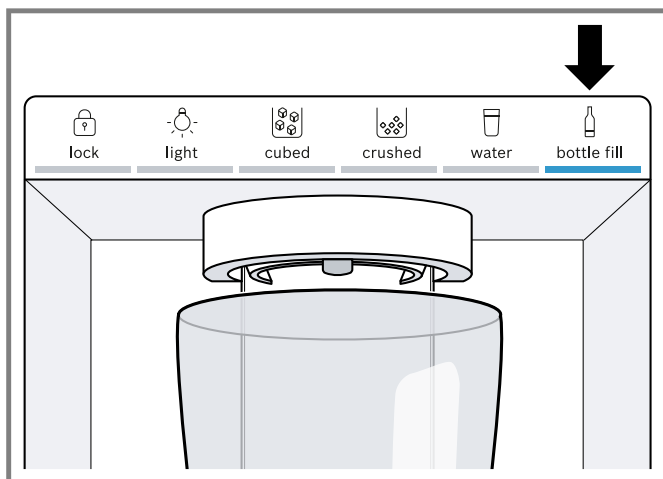
Vous pouvez verser une quantité d'eau prédéfinie avec l'option de remplissage de bouteille.

**Remarque :** La quantité d'eau prédéfinie en usine est d'environ 0,5 l (17 fl oz).

#### Retirer le remplissage des bouteilles

1. Appuyez sur bottle fill.
2. Placez une bouteille ou une carafe sous l'orifice de distribution.

### 3. Appuyez sur bottle fill.



- ✓ La quantité d'eau définie est distribuée.

#### Conseils

- Pour arrêter le prélèvement prématurément, appuyez sur n'importe quel champ tactile du bandeau de commande (distributeur d'eau et de glace).
- Pour redémarrer le prélèvement, appuyez sur **bottle fill**.

**Remarque :** Lorsque vous ne retirez pas une bouteille de remplissage pendant un certain temps, l'option de sélection passe à **water**.

#### Régler la quantité d'eau de l'option de remplissage de la bouteille

**Remarque :** Le temps de remplissage maximal est de 60 secondes.

1. Appuyez sur **bottle fill**.
2. Placez une bouteille ou une carafe sous l'orifice de distribution.
3. Appuyez simultanément sur **bottle fill** + **crushed** jusqu'à ce que la quantité d'eau souhaitée soit distribuée.

La barre lumineuse clignote pendant la sortie.

- ✓ La nouvelle quantité d'eau est enregistrée et est distribuée avec l'option de remplissage des bouteilles.

#### Verrouiller les touches (sécurité-enfants)

Le verrouillage des touches empêche toute utilisation involontaire ou incorrecte du distributeur d'eau et de glace.

**Remarque :** La production de glaçons continue à fonctionner pendant le verrouillage des touches.

#### Activer le verrouillage des touches

- ▶ Appuyez sur **lock** jusqu'à ce que le bandeau lumineux s'allume entièrement.
- ✓ **lock** s'allume.

#### Désactiver le verrouillage des touches

- ▶ Appuyez sur **lock** jusqu'à ce que le bandeau lumineux s'allume entièrement.
- ✓ L'option utilisée en dernier s'allume.

#### Éclairage permanent

Si vous ne prélevez pas de la glace ni de l'eau pendant un certain temps, l'éclairage s'éteint.

Vous pouvez allumer en permanence l'éclairage du distributeur d'eau et de glace.

#### Activer l'éclairage permanent

- ▶ Appuyez sur **light**.
- ✓ **light** s'allume.

#### Éteindre l'éclairage permanent

- ▶ Appuyez sur **light**.
- ✓ **light** s'éteint.

#### Lancer la production de glaçons

- ▶ Appuyez simultanément sur **lock** + **light** jusqu'à ce que le bandeau lumineux s'allume entièrement.
- ✓ La production de glaçons démarre et la dernière option de sélection utilisée s'allume.

#### Arrêter la production de glaçons

- ▶ Appuyer simultanément sur **lock** + **light** jusqu'à ce que le bandeau lumineux s'allume entièrement.
- ✓ La distribution de glace et la production de glaçons s'arrêtent.

## 14 Dégivrer

### 14.1 Dégivrer le compartiment réfrigération

Le compartiment réfrigération de votre appareil se dégèle automatiquement.

### 14.2 Dégivrer le compartiment congélation

Grâce au système « NoFrost » entièrement automatique, le compartiment congélation ne se couvre pas de givre. Aucun dégivrage n'est nécessaire. Aucun dégivrage n'est nécessaire.

## 15 Nettoyage et entretien

Pour que votre appareil reste longtemps opérationnel, nettoyez-le et entretenez-le avec soin.

Le nettoyage de points inaccessibles doit être réalisé par le service après-vente. Le nettoyage par le service après-vente peut engendrer des frais.

### 15.1 Préparer l'appareil pour le nettoyage

1. Éteindre l'appareil. → *Page 40*
2. Débranchez l'appareil du réseau électrique.  
Retirez la fiche du cordon d'alimentation secteur ou désactivez le fusible dans la boîte à fusibles.
3. Retirez tous les aliments de l'appareil et rangez-les dans un endroit frais.  
Si possible, placez des accumulateurs de froid sur les aliments.
4. Retirez toutes les pièces d'équipement et les accessoires de l'appareil. → *Page 48*
5. Déposez les rails de sortie. → *Page 50*
6. Démontez la clayette au-dessus du bac à fruits et légumes. → *Page 51*

- Démontez la clayette au dessus du bac de rangement.  
→ Page 51
- Démontez le couvercle du bac à fruits et légumes.  
→ Page 51

## 15.2 Nettoyer l'appareil

### ⚠ AVERTISSEMENT

L'humidité qui pénètre peut occasionner une électrocution.

- ▶ N'utilisez pas de nettoyeur haute pression ou de nettoyer à vapeur pour nettoyer l'appareil.

### AVIS :

Les produits de nettoyage inappropriés risquent d'endommager la surface de l'appareil.

- ▶ N'utilisez pas de tampon abrasif ni d'éponge en laine d'acier.
- ▶ N'utilisez pas de produits de nettoyage agressifs ou récurants.
- ▶ N'utilisez pas de produits de nettoyage fortement alcoolisés,
- ▶ N'utilisez pas de nettoyant pour acier inox sur le côté extérieur de l'appareil.

Si vous nettoyez les pièces d'équipement et les accessoires au lave-vaisselle, ceux-ci risquent de se déformer ou de déteindre.

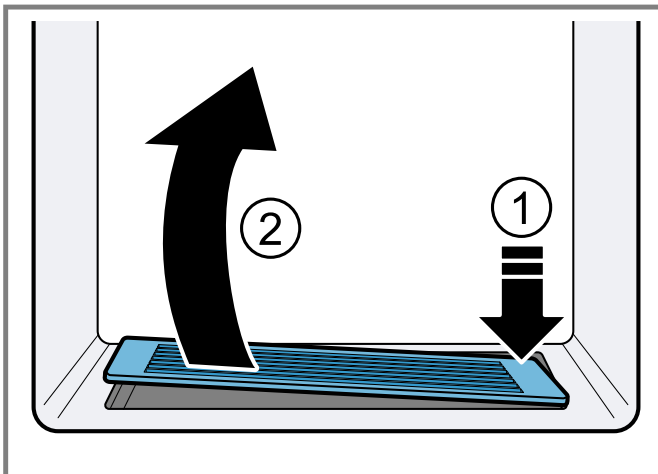
- ▶ Ne nettoyez jamais les équipements et accessoires au lave-vaisselle.

- Préparez l'appareil pour le nettoyage. → Page 47
- Nettoyez l'intérieur et l'extérieur de l'appareil, les pièces d'équipement, les accessoires et les joints de porte avec une lavette, de l'eau tiède et du produit à vaisselle présentant un pH neutre.
- Séchez ensuite minutieusement avec un chiffon doux et sec.
- Insérez les pièces d'équipement et montez les pièces de l'appareil.
- Raccordez l'appareil électriquement. → Page 34
- Mettez l'appareil sous tension. → Page 40
- Rangez les aliments.

## 15.3 Nettoyer la cuvette d'égouttage

Vérifiez régulièrement si de l'eau a été renversée dans la cuvette d'égouttage et nettoyez-la si nécessaire.

- Poussez la grille de l'égouttoir dans le coin supérieur droit vers le bas ① puis retirez-la ②.



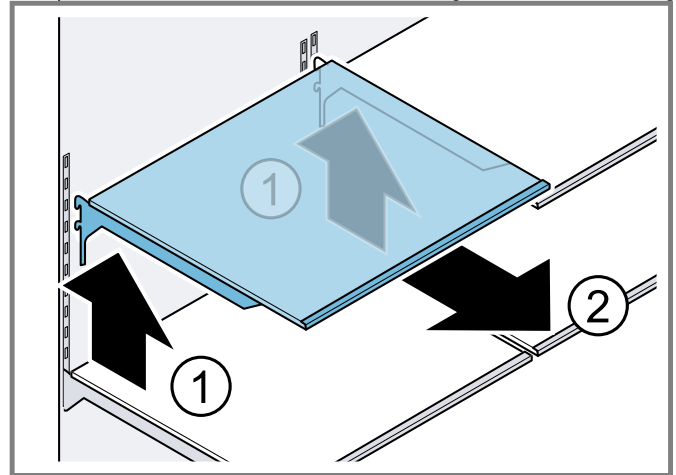
- Essuyez la cuvette d'égouttage avec une éponge ou un chiffon absorbant.

## 15.4 Retirer les pièces d'équipement

Si vous souhaitez nettoyer soigneusement les pièces d'équipement, retirez celles-ci de votre appareil.

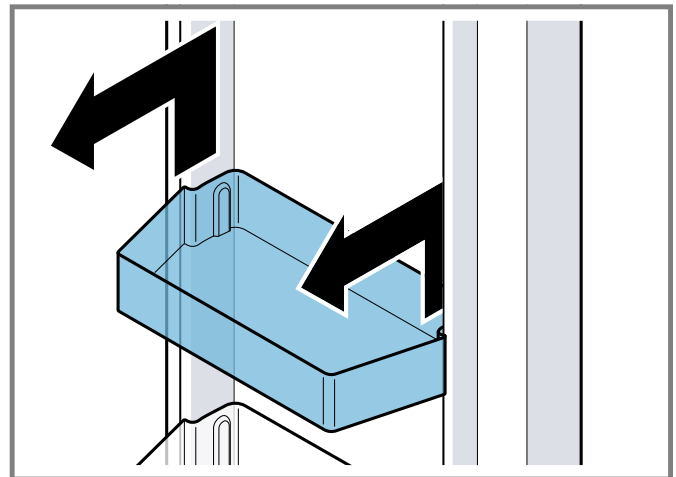
### Retirer la clayette

- ▶ Soulevez la clayette ① et retirez-la ②.



### Retirer le compartiment de contre-porte

- ▶ Soulevez le compartiment dans la contre-porte vers le haut et retirez-le.

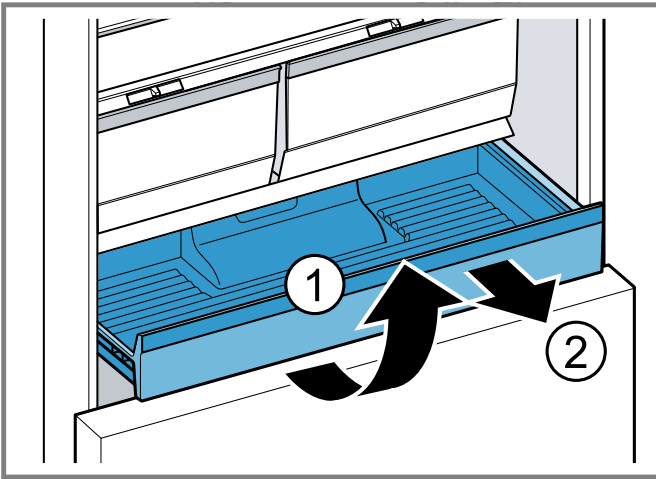


### Retirer le bac de rangement

- Extrayez le bac de rangement jusqu'en butée.

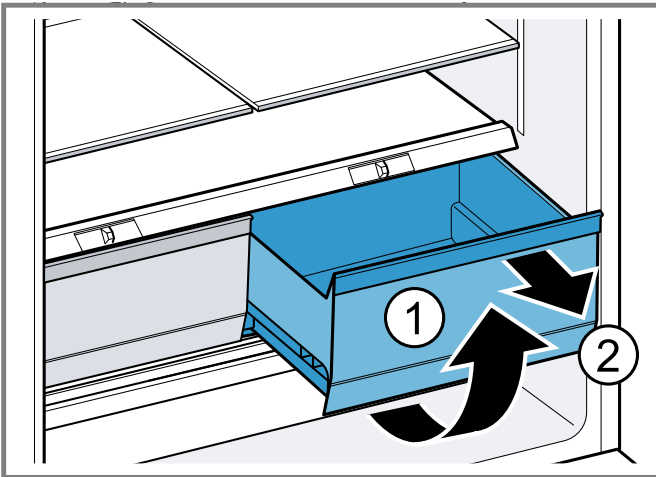


2. Soulevez le bac de rangement à l'avant ① et retirez-le ②.



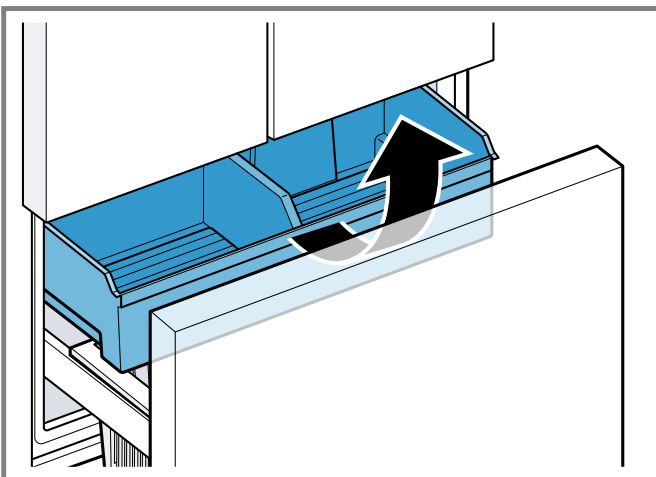
### Retirer le bac à fruits et légumes

1. Extrayez le bac à fruits et légumes jusqu'en butée.
2. Soulevez le bac à fruits et légumes vers l'avant ① et retirez-le ②.



### Retirer le bac tiroir à aliments congelés

1. Tirez le récipient coulissant pour aliments surgelés jusqu'à ce qu'il s'arrête.
2. Soulevez le bac tiroir à aliments congelés vers l'avant et retirez-le.

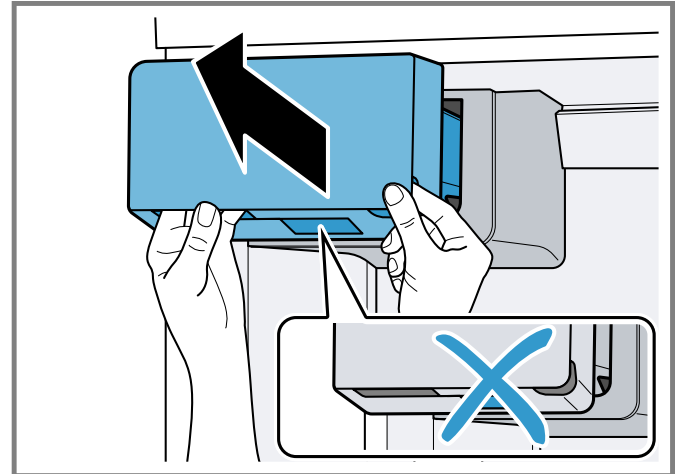


### Retirer la réserve à glaçons

#### ⚠ AVERTISSEMENT

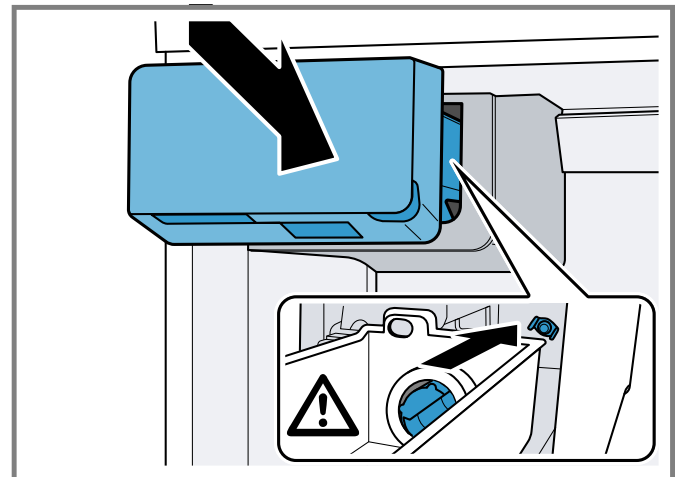
Le fait d'atteindre l'orifice de distribution du bac à glaçons peut provoquer des coupures.

- N'insérez jamais vos doigts dans l'orifice de distribution du bac à glaçons.
- Passez la main dans les encoches de gauche et de droite sous le bac à glaçons et retirez-le vers l'avant.



#### Conseils

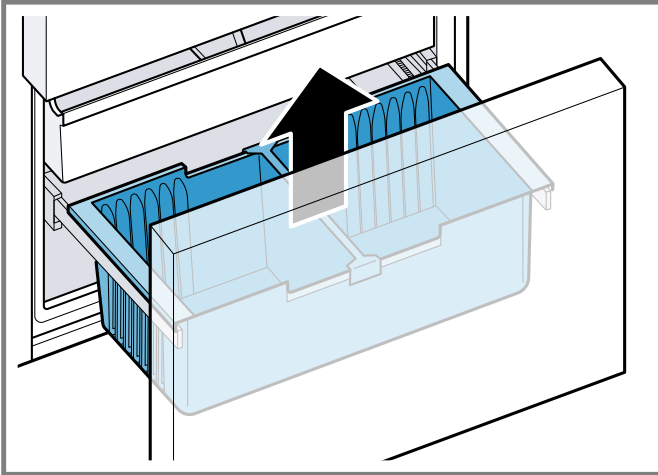
- Si le bac à glaçons ne peut pas être réinstallé, tournez la vis sans fin du bac à glaçons et essayez à nouveau.



- Si le bac à glaçons se bloque lors de l'installation, retirez les glaçons excédentaires de l'ouverture du bac à glaçons.

### Retirer le bac à produits congelés suspendu

- ▶ Retirez le bac à produits congelés suspendu par le haut.



### 15.5 Démontez les pièces de l'appareil

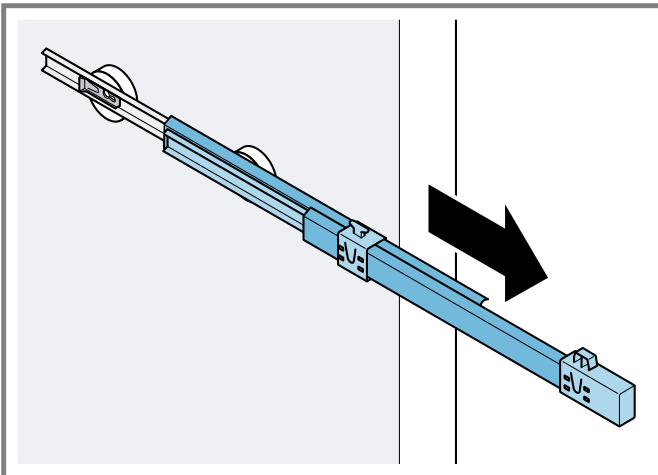
Si vous souhaitez effectuer un nettoyage complet de votre appareil, vous pouvez retirer certaines pièces de votre appareil.

#### Rails de sortie

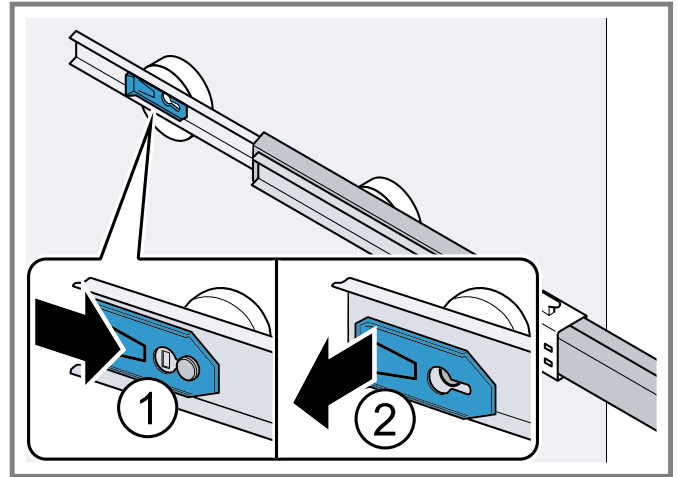
Pour nettoyer à fond les rails de sortie, vous pouvez les retirer.

#### Démontez les rails de sortie

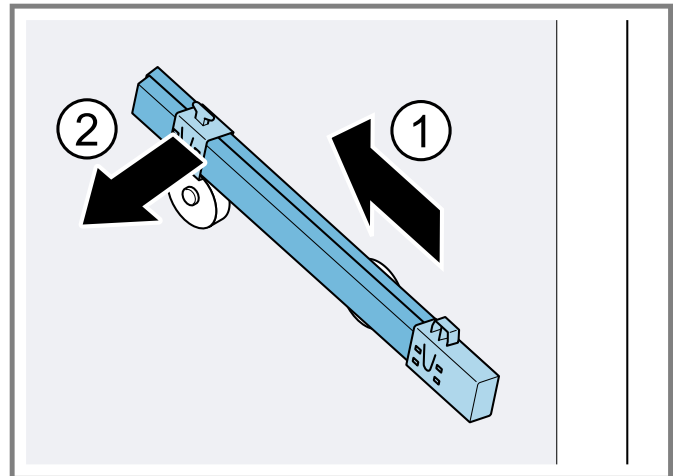
1. Extrayez les rails de sortie.



2. Poussez le dispositif de verrouillage dans le sens de la flèche ① et relâchez-le par le boulon arrière ②.

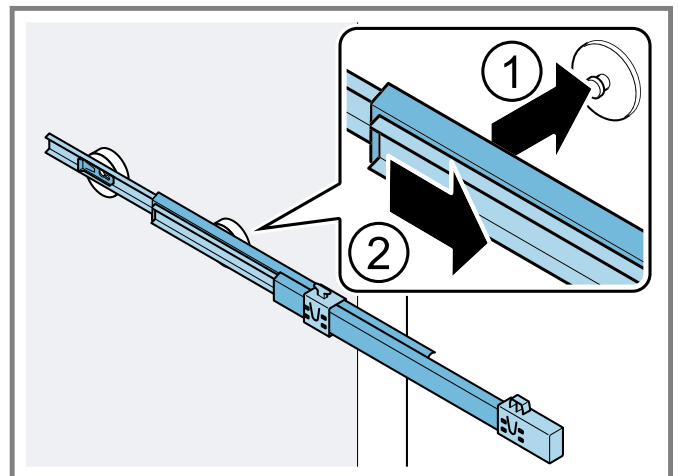


3. Poussez les rails de sortie.
4. Poussez les rails de sortie en arrière au dessus du boulon arrière ① puis décrantez-les ②.

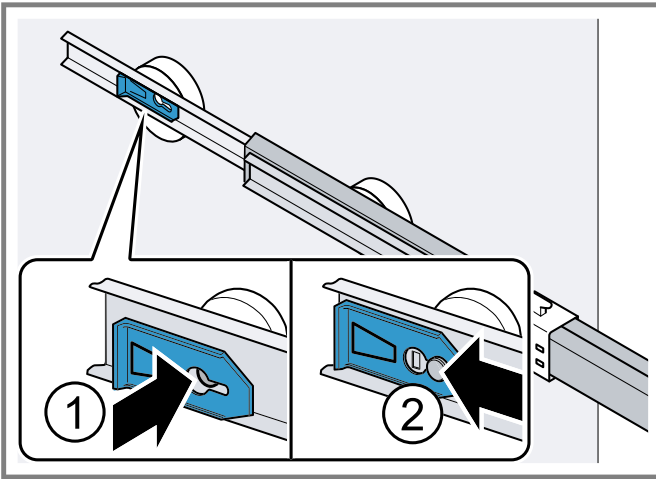


#### Monter les rails de sortie

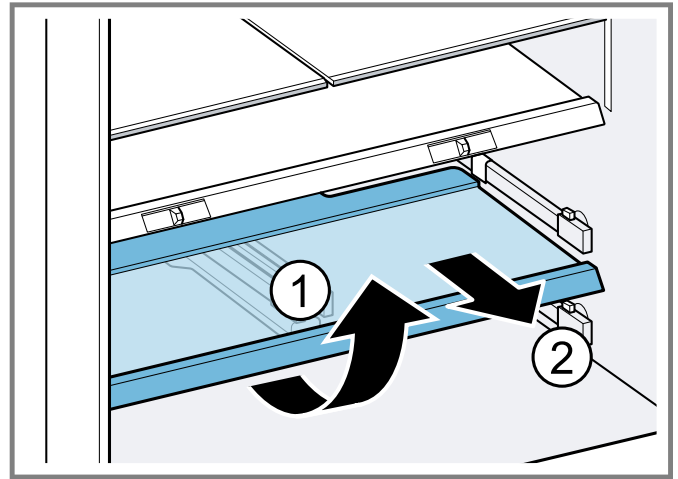
1. Posez le rail de sortie déployé sur le boulon avant ① et tirez-le légèrement vers l'avant ②.



2. Insérez le rail de sortie au niveau du boulon arrière ① et faites glisser le dispositif de verrouillage vers l'arrière ②.

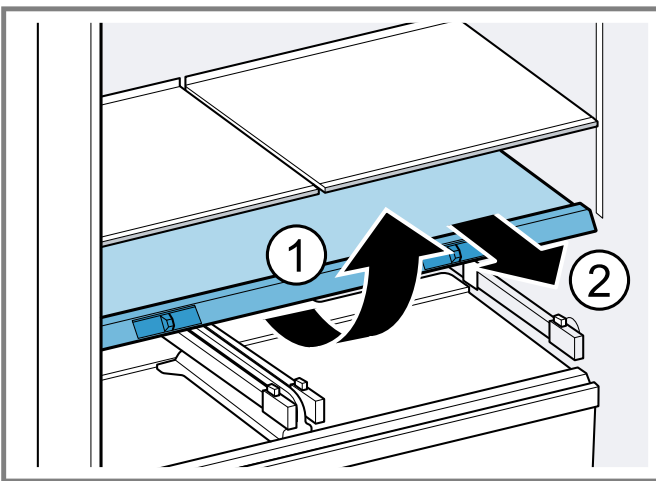


2. Soulevez la clayette au-dessus du bac de rangement ① et retirez-la ②.



### Démonter la clayette au-dessus du bac à fruits et légumes

1. Extrayez le bac à fruits et légumes jusqu'en butée.
2. Soulevez la clayette au-dessus du bac à fruits et légumes ① et retirez-la ②.



### Démonter la clayette au dessus du bac de rangement

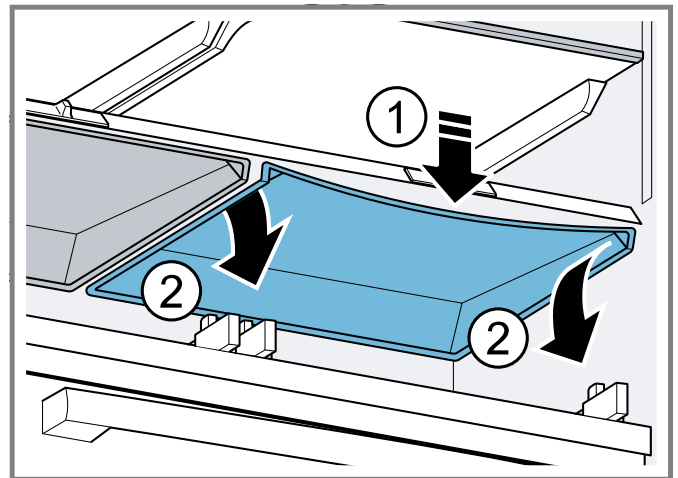
1. Extrayez le bac de rangement jusqu'en butée.

### Couvercle du bac à fruits et légumes

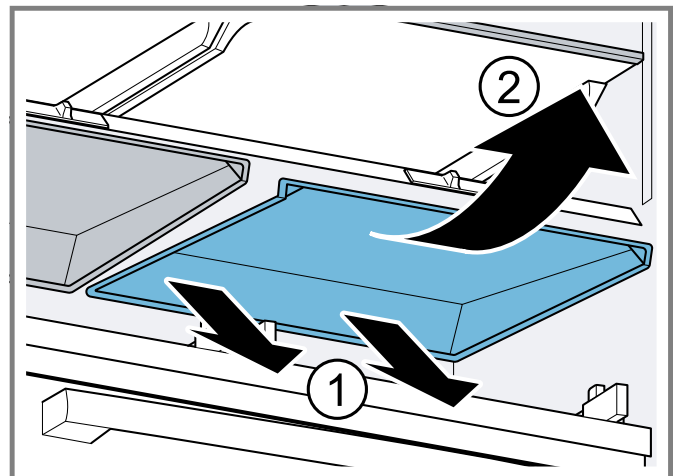
Pour bien nettoyer le couvercle du bac à fruits et légumes, vous pouvez retirer ce dernier.

#### Démonter le couvercle du bac à fruits et légumes

1. Retirez le bac à fruits et légumes. → *Page 49*
2. Pliez légèrement le couvercle du bac à fruits et légumes au centre vers le bas ①, puis décrochez un côté, puis l'autre côté vers l'avant ②.

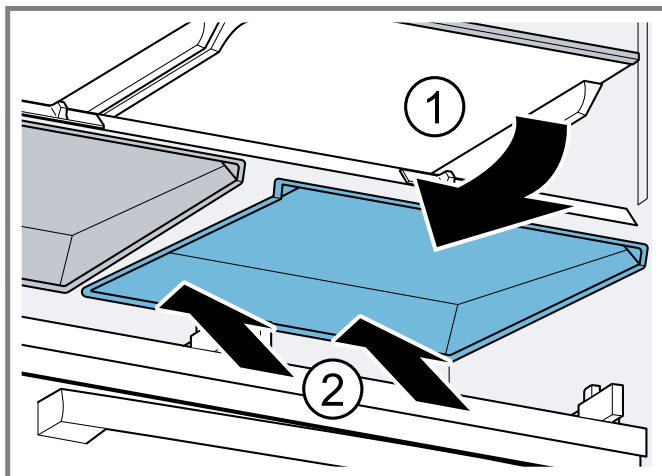


3. Accrochez le couvercle du bac à fruits et légumes à l'arrière ① puis retirez-le ②.

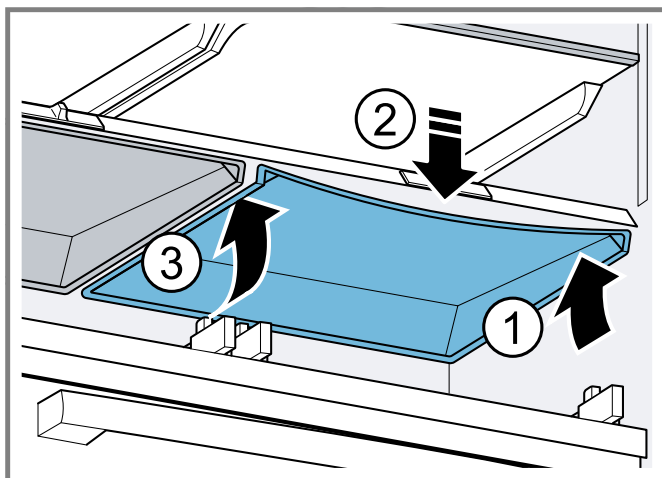


### Monter le couvercle du bac à fruits et légumes

1. Poussez le couvercle du bac à fruits et légumes vers l'arrière de manière symétrique ① puis accrochez-le ②.



2. Accrochez un côté du couvercle du bac à fruits et légumes à l'avant ①, puis penchez-le légèrement au milieu ② et accrochez l'autre côté à l'avant ③.



Si le couvercle du bac à fruits et légumes est encore plié, déplacez le bouton de commande de l'humidité dans les deux sens jusqu'à ce que le couvercle du bac à fruits et légumes s'enclenche en place.

## 16 Dépannage

Vous pouvez éliminer vous-même les défauts mineurs de votre appareil. Veuillez lire les informations de dépannage avant de contacter le service à la clientèle. Cela peut éviter des frais de réparation inutiles.

- ▶ Si le cordon d'alimentation secteur de cet appareil est endommagé, il doit être remplacé par un cordon spécifique disponible auprès du fabricant ou de son service à la clientèle.

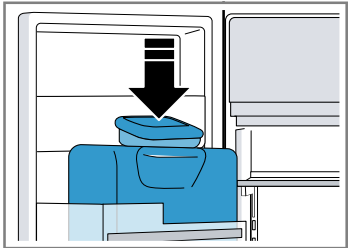
### AVERTISSEMENT

Les réparations non conformes sont dangereuses.

- ▶ Seules des pièces de rechange d'origine peuvent être utilisées pour réparer l'appareil.

Défaut	Cause et dépannage
L'appareil ne réfrigère pas, les affichages et l'éclairage sont allumés.	L'appareil se trouve sur le mode Exposition. 1. Appuyez sur <b>alarm off</b> pendant 15 secondes jusqu'à ce que trois signaux sonores retentissent. ✓ L'éclairage des bandeaux de commande et l'éclairage intérieur s'allument brièvement. ✓ <b>alarm off</b> clignote et une alarme sonore retentit. 2. Appuyez sur <b>alarm off</b> . 3. Vérifiez après un court laps de temps si l'appareil réfrigère.
L'éclairage par LED ne fonctionne pas.	Ce problème peut avoir de nombreuses causes. ▶ Appelez le service après-vente. → "Service à la clientèle", Page 56
Home Connect™ ne fonctionne pas correctement.	Ce problème peut avoir de nombreuses causes. ▶ Rendez-vous sur <a href="http://www.home-connect.com">www.home-connect.com</a> .
Un <b>E</b> ou un <b>d</b> apparaît dans l'affichage de la température.	L'électronique a détecté un défaut. 1. Éteignez l'appareil. → Page 40 2. Débranchez l'appareil du secteur. Retirez la fiche du cordon d'alimentation secteur ou désactivez le fusible dans le boîtier à fusibles. 3. Raccordez à nouveau l'appareil après 5 minutes. 4. Mettez l'appareil sous tension. → Page 40 5. Si ce message apparaît toujours, contactez le service après-vente. → "Service à la clientèle", Page 56
<b>alarm off</b> clignote et une alarme sonore retentit. L'alarme de porte est activée.	La porte de l'appareil est ouverte. ▶ Fermez la porte de l'appareil.
Une alarme sonore retentit, l'affichage de la température (congélateur) et <b>alarm off</b> clignotent. L'alarme de température est activée.	Ce problème peut avoir de nombreuses causes. 1. Appuyez sur <b>alarm off</b> . ✓ L'alarme s'éteint. 2. Vérifiez après quelques heures si la température réglée dans le compartiment congélation a de nouveau été atteinte. <hr/> Les orifices de ventilation extérieurs sont recouverts. ▶ Retirez les obstacles situés devant les orifices de ventilation extérieurs. <hr/> L'appareil est rempli de grandes quantités de produits alimentaires frais. ▶ Éteignez Super-congélation avant d'entreposer une plus grande quantité d'aliments. → "Allumez la Super-congélation", Page 40
La température dévie fortement par rapport au réglage.	Ce problème peut avoir de nombreuses causes. 1. Éteignez l'appareil. → Page 40 2. Allumez à nouveau l'appareil après env. 5 minutes. → Page 40 – Si la température est trop élevée, vérifiez-la à nouveau au bout de quelques heures. – Si la température est trop basse, vérifiez-la à nouveau le jour suivant.

Défaut	Cause et dépannage
De l'eau fuit de l'appareil.	<p>Le raccord d'eau ou le tuyau d'eau n'est pas étanche.</p> <ul style="list-style-type: none"> <li>▶ Assurez-vous que les raccordements d'eau sont bien serrés et que le tuyau d'eau n'est pas endommagé.</li> </ul> <p>Si nécessaire, remplacez le tuyau d'eau.</p>
La distribution d'eau est réduite.	<p>Le bac de récupération déborde.</p> <ul style="list-style-type: none"> <li>▶ Nettoyez la cuvette d'égouttage. → <i>Page 48</i></li> </ul> <p>La pression de l'eau est basse.</p> <ul style="list-style-type: none"> <li>▶ Vérifiez la pression d'eau au niveau de l'alimentation en eau ou du système de filtre à eau externe, par exemple, l'installation d'osmose inverse.</li> </ul> <p>Raccordez l'appareil uniquement à un raccordement d'eau ayant une pression suffisante. → <i>Page 33</i></p>
De l'eau s'égoutte du distributeur d'eau et de glace.	<p>Le filtre à eau est bouché.</p> <ul style="list-style-type: none"> <li>▶ Changez le filtre à eau. → <i>Page 45</i></li> </ul> <p>Le système hydraulique contient de l'air.</p> <ul style="list-style-type: none"> <li>▶ Retirez de l'eau jusqu'à ce qu'il n'y ait plus d'air.</li> </ul> <p>Les résidus de glace fondent dans la goulotte à glace.</p> <ul style="list-style-type: none"> <li>▶ Retirez les restes de glace de la goulotte à glace, par ex. avec une cuillère en bois.</li> </ul>
Les glaçons sont produits en quantité insuffisante.	<div data-bbox="561 751 902 999" data-label="Image"> </div> <p>L'appareil a été raccordé.</p> <ul style="list-style-type: none"> <li>▶ Patientez environ 4 heures jusqu'à ce que la première production de glaçons soit prête.</li> </ul> <p>Le compartiment congélation a été ouvert fréquemment ou pendant une longue période.</p> <ul style="list-style-type: none"> <li>▶ Vérifiez au bout de quelques heures la production de glaçons.</li> </ul> <p>La pression de l'eau est basse.</p> <ul style="list-style-type: none"> <li>▶ Vérifiez la pression d'eau au niveau de l'alimentation en eau ou du système de filtre à eau externe, par exemple, l'installation d'osmose inverse.</li> </ul> <p>Raccordez l'appareil uniquement à un raccordement d'eau ayant une pression suffisante. → <i>Page 33</i></p> <p>Le filtre à eau est bouché.</p> <ul style="list-style-type: none"> <li>▶ Changez le filtre à eau. → <i>Page 45</i></li> </ul>
Le distributeur d'eau et de glace ne fonctionne pas.	<p>La production de glaçons est désactivée.</p> <ul style="list-style-type: none"> <li>▶ Lancez la production de glaçons. → <i>Page 47</i></li> </ul> <p>Le verrouillage des touches (sécurité-enfants) est activé</p> <ul style="list-style-type: none"> <li>▶ Désactivez le verrouillage des touches. → <i>Page 47</i></li> </ul> <p>Le bac à glaçons n'est pas entièrement monté.</p> <ul style="list-style-type: none"> <li>▶ Montez complètement le bac à glaçons. → <i>Page 49</i></li> </ul> <p>Les glaçons se sont soudés entre eux dans la goulotte à glace.</p>

Défaut	Cause et dépannage
Le distributeur d'eau et de glace ne fonctionne pas.	<ul style="list-style-type: none"> <li>▶ Retirez les glaçons de la goulotte à glace, par ex. avec une cuillère en bois.</li> </ul>
	
	<p>La pression de l'eau est basse.</p> <ul style="list-style-type: none"> <li>▶ Vérifiez la pression d'eau au niveau de l'alimentation en eau ou du système de filtre à eau externe, par exemple, l'installation d'osmose inverse.</li> </ul> <p>Raccordez l'appareil uniquement à un raccordement d'eau ayant une pression suffisante. → <i>Page 33</i></p>
	<p>Le filtre à eau est bouché.</p> <ul style="list-style-type: none"> <li>▶ Changez le filtre à eau. → <i>Page 45</i></li> </ul>
	<p>Aucune alimentation en eau.</p> <ul style="list-style-type: none"> <li>▶ Assurez-vous qu'il y a une alimentation en eau et que la vanne d'arrêt sur le raccordement d'eau est ouverte.</li> </ul> <p>Contactez un installateur si nécessaire.</p>
	<p>Le tube d'entrée est plié.</p> <ul style="list-style-type: none"> <li>▶ Fermez l'alimentation en eau et redressez le coude du tuyau d'eau.</li> </ul> <p>Si nécessaire, remplacez le tuyau d'eau.</p>
	<p>Dysfonctionnement du distributeur d'eau et de glace.</p> <ol style="list-style-type: none"> <li>1. Éteignez l'appareil. → <i>Page 40</i></li> <li>2. Débranchez l'appareil du secteur.</li> </ol> <p>Retirez la fiche du cordon d'alimentation secteur ou désactivez le fusible dans le boîtier à fusibles.</p> <ol style="list-style-type: none"> <li>3. Raccordez à nouveau l'appareil après 5 minutes.</li> <li>4. Mettez l'appareil sous tension. → <i>Page 40</i></li> <li>5. Si le dysfonctionnement persiste, appelez le Service après-vente. → <i>Page 56</i></li> </ol>
L'appareil vrombit, fait des bulles, des bourdonnements, des cliquetis, des claquements ou des grondements.	<p>Il ne s'agit pas d'un défaut. Un moteur tourne, par ex. groupe frigorifique, ventilateur. Du fluide frigorigène circule dans les tuyaux. Le moteur, les interrupteurs, les électrovannes et les vannes à eau s'allument ou s'éteignent. Le dégivrage automatique est en cours. Les glaçons tombent dans le bac à glaçons. Aucune action nécessaire.</p>
L'appareil émet des bruits.	<p>L'appareil ne repose pas d'aplomb.</p> <ul style="list-style-type: none"> <li>▶ Nivelez l'appareil à l'aide d'un niveau à bulle et des pieds à vis.</li> </ul>
	<p>L'appareil n'est pas posé de manière indépendante.</p> <ul style="list-style-type: none"> <li>▶ Respectez les distances minimales de l'appareil.</li> </ul>
	<p>Les pièces d'équipement vacillent ou se coincent.</p> <ul style="list-style-type: none"> <li>▶ Vérifiez les pièces d'équipement amovibles et remettez-les éventuellement en place correctement.</li> </ul>
	<p>Des bouteilles ou récipients se touchent.</p> <ul style="list-style-type: none"> <li>▶ Écartez les récipients ou bouteilles les uns des autres.</li> </ul>
	<p>La fonction Super-congélation est activée.</p> <p>Aucune action nécessaire.</p>

## 16.1 Panne de courant

En cas de panne de courant, la température à l'intérieur de l'appareil augmente, ce qui raccourcit la durée de conservation et réduit la qualité des aliments congelés.

### Remarques

- Ouvrez l'appareil le moins possible en cas de panne de courant et ne stockez pas d'autres aliments.

- Vérifiez la qualité des aliments immédiatement après la panne de courant.
  - Jetez les aliments congelés qui sont décongelés et dont la température est supérieure à 41 °F (5 °C).
  - Faites bouillir ou frire des aliments congelés légèrement décongelés et consommez-les ou recongelez-les.

## 16.2 Effectuer l'auto-test de l'appareil

Votre appareil dispose d'un autotest qui indique les dysfonctionnements auxquels votre service après-vente peut remédier.

1. Éteindre l'appareil. → *Page 40*
  2. Débranchez l'appareil du réseau électrique.  
Retirez la fiche du cordon d'alimentation secteur ou désactivez le fusible dans la boîte à fusibles.
  3. Raccordez l'appareil à l'alimentation électrique après 5 minutes. → *Page 34*
  4. Mettez l'appareil sous tension. → *Page 40*
  5. Dans les 2 minutes qui suivent la mise sous tension, maintenez menu enfoncé pendant 10 secondes jusqu'à ce qu'un signal sonore retentisse.
- ✓ L'auto-test de l'appareil démarre.
  - ✓ Au cours de l'auto-test, un signal sonore long retentit par intermittence.
  - ✓ Si, à la fin de l'auto-test, 2 signaux sonores retentissent et si l'affichage de la température indique la température réglée, cela signifie que votre appareil fonctionne correctement. L'appareil revient en fonctionnement normal.
  - ✓ Si vous entendez 5 signaux sonores à la fin de l'autotest de l'appareil et que l'affichage des réglages du sous-menu indique Er, contactez le service après-vente.

## 17 Entreposage et mise au rebut

### 17.1 Mettre l'appareil hors service

1. Éteindre l'appareil. → *Page 40*
2. Débranchez l'appareil du réseau électrique.  
Retirez la fiche du cordon d'alimentation secteur ou désactivez le fusible dans la boîte à fusibles.
3. Débranchez l'appareil du raccordement à l'eau potable.
4. Retirez tous les aliments.
5. Démontez le filtre à eau. → *Page 45*
6. Nettoyez l'appareil. → *Page 48*
7. **AVIS** : Des objets coincés entre la porte et la boîtier risque d'endommager la charnière de porte.
  - ▶ Ouvrez la porte jusqu'à ce qu'elle reste ouverte d'elle-même.
  - ▶ Ne pas coincer d'objets entre la porte et le boîtier.
 Afin de garantir la ventilation de l'espace intérieur, laissez l'appareil ouvert.

### 17.2 Éliminer un appareil usagé

L'élimination dans le respect de l'environnement permet de récupérer de précieuses matières premières.

#### ⚠ AVERTISSEMENT

Les enfants risquent de s'enfermer dans l'appareil et de mettre leur vie en danger.

- ▶ Retirez les portes et le tiroir de l'appareil.
- ▶ Pour compliquer la pénétration des enfants dans l'appareil, ne retirez pas les clayettes et les bacs.
- ▶ Éloignez les enfants de l'appareil qui a cessé de servir.

#### ⚠ AVERTISSEMENT

En cas d'endommagement des tuyaux, du fluide frigorigène inflammable et des gaz nocifs peuvent s'échapper et s'enflammer.

- ▶ Veillez à ne pas endommager les tubulures du circuit frigorifique, ni l'isolant.

1. Débranchez la fiche du secteur.
2. Coupez le câble de raccordement secteur.
3. Éliminez l'appareil dans le respect de l'environnement.  
Pour connaître les circuits d'élimination actuels, veuillez vous adresser à votre revendeur ou à votre administration municipale.

## 18 Service à la clientèle

Lors de toute réparation réalisée dans le cadre de la garantie, nous nous assurons que votre appareil est réparé avec des pièces de rechange d'origine par un technicien dûment formé et agréé. Nous utilisons exclusivement des pièces de rechange d'origine lors des réparations.

Pour plus d'informations sur la durée et les conditions de la garantie dans votre pays, consultez nos modalités de garantie auprès de votre détaillant ou sur notre site Web. Si vous contactez le service à la clientèle, indiquez le numéro de modèle (E-Nr.) et le numéro de fabrication (FD) de l'appareil.

USA:

1-800-944-2904

[www.bosch-home.com/us/owner-support/get-support](http://www.bosch-home.com/us/owner-support/get-support)

[www.bosch-home.com/us/shop](http://www.bosch-home.com/us/shop)

CA:

1-800-944-2904

[www.bosch-home.ca/en/service/get-support](http://www.bosch-home.ca/en/service/get-support)

[www.bosch-home.ca/en/service/cleaners-and-accessories](http://www.bosch-home.ca/en/service/cleaners-and-accessories)

Vous trouverez également de l'aide pour contacter Home Connect™ à l'adresse suivante :

[www.home-connect.com/us/en/help-support/set-up](http://www.home-connect.com/us/en/help-support/set-up)

### 18.1 Numéro de modèle (E-Nr.) et numéro de fabrication (FD)

Le numéro de modèle (E-Nr.) et le numéro de fabrication (FD) sont indiqués sur la plaque signalétique de l'appareil.

→ "Appareil", Fig. 1/8, Page 36

Pour retrouver rapidement les données de votre appareil et le numéro de téléphone du service à la clientèle, n'hésitez pas à les recopier ailleurs.

## 19 Données techniques

La plaque signalétique mentionne le fluide frigorigène, le volume net ainsi que d'autres données techniques.

→ "Appareil", Fig. 1/8, Page 36



Para más información, consulte la Guía del usuario digital.



## Tabla de contenidos

<b>1 Seguridad</b> .....	<b>59</b>	8.2 Supercongelación .....	69
1.1 Definiciones de seguridad .....	59	8.3 Modo vacaciones .....	70
1.2 Indicaciones generales .....	59	8.4 Modo de ahorro energético .....	70
1.3 Uso previsto .....	59	8.5 Modo fresco .....	70
1.4 Limitación del grupo de usuarios .....	59	8.6 Iluminación interior .....	70
1.5 Transporte seguro .....	59	8.7 Modo Sabbat .....	70
1.6 Instalación segura .....	59	8.8 Notificación de cambio de filtro .....	70
1.7 Uso seguro .....	60	8.9 Estado de cambio de filtro .....	71
1.8 Aparato dañado .....	61	<b>9 Alarma</b> .....	<b>71</b>
1.9 Advertencias en virtud de la Proposición 65 del estado de California .....	61	9.1 Alarma de la puerta .....	71
<b>2 Evitar daños materiales</b> .....	<b>62</b>	9.2 Alarma de temperatura .....	71
<b>3 Protección del medio ambiente y ahorro</b> .....	<b>62</b>	<b>10 Home Connect™</b> .....	<b>71</b>
3.1 Consejos para la eliminación del embalaje .....	62	10.1 Configurar Home Connect™ .....	72
3.2 Ahorrar energía .....	62	10.2 Verificar la intensidad de la señal .....	72
<b>4 Instalación y conexión</b> .....	<b>62</b>	10.3 Instalar la actualización del software de Home Connect .....	72
4.1 Material entregado .....	62	10.4 Restablecer los ajustes de Home Connect™ .....	72
4.2 Requisitos para seleccionar el lugar de colocación .....	63	10.5 Diagnóstico remoto .....	72
4.3 Instalación del aparato .....	63	10.6 Protección de datos .....	73
4.4 Preparar el aparato para el primer uso .....	63	<b>11 Compartimiento de refrigeración</b> .....	<b>73</b>
4.5 Conectar el aparato a la toma de agua .....	63	11.1 Consejos para el almacenamiento de alimentos en el compartimiento de refrigeración .....	73
4.6 Conectar el aparato a la red eléctrica .....	63	11.2 Zonas de frío del compartimiento de refrigeración .....	73
<b>5 Familiarizándose con el aparato</b> .....	<b>64</b>	<b>12 Congelador</b> .....	<b>73</b>
5.1 Aparato .....	64	12.1 Consejos para colocar los alimentos en el congelador .....	73
5.2 Panel de control .....	65	12.2 Consejos para congelar alimentos frescos .....	73
5.3 Panel de control (submenú) .....	66	12.3 Métodos de descongelación para productos congelados .....	74
5.4 Panel de control y controles (dispensador de hielo y agua) .....	67	<b>13 Sistema de agua</b> .....	<b>74</b>
<b>6 Equipamiento</b> .....	<b>67</b>	13.1 Filtro de agua .....	74
6.1 Bandeja .....	67	13.2 Dispensador de hielo y agua .....	75
6.2 Recipiente de almacenamiento .....	67	<b>14 Descongelación</b> .....	<b>76</b>
6.3 Cajón para fruta y verdura con regulador de humedad .....	67	14.1 Desescarchar el compartimiento de refrigeración .....	76
6.4 Separador de compartimientos .....	68	14.2 Descongelación dentro del congelador .....	76
6.5 Cajón deslizante de productos congelados .....	68	<b>15 Limpieza y cuidados</b> .....	<b>76</b>
6.6 Recipiente suspendido para productos congelados .....	68	15.1 Preparar el aparato para su limpieza .....	76
6.7 Estantes de la puerta para botellas .....	68	15.2 Limpiar el aparato .....	76
6.8 Depósito para cubitos de hielo .....	68	15.3 Limpiar la bandeja de goteo .....	77
<b>7 Manejo básico</b> .....	<b>69</b>	15.4 Retirar elementos del aparato .....	77
7.1 Encender el aparato .....	69	15.5 Desmontar los componentes del aparato .....	79
7.2 Advertencias relativas al funcionamiento del aparato .....	69	<b>16 Solucionar pequeñas averías</b> .....	<b>82</b>
7.3 Apagar el aparato .....	69	<b>17 Almacenamiento y eliminación</b> .....	<b>85</b>
7.4 Ajustar la unidad de temperatura .....	69	17.1 Interrumpir el funcionamiento del aparato .....	85
7.5 Ajustar la temperatura .....	69	17.2 Eliminación de los aparatos usados .....	85
<b>8 Funciones adicionales</b> .....	<b>69</b>		
8.1 Superfrío .....	69		

<b>18 Servicio de atención al cliente .....</b>	<b>85</b>
18.1 Número de modelo (E-Nr.) y número de fabricación (FD) .....	85
<b>19 Datos técnicos .....</b>	<b>85</b>



# INSTRUCCIONES DE SEGURIDAD IMPORTANTES

## LEA Y CONSERVE ESTAS INSTRUCCIONES

Tenga en cuenta las siguientes indicaciones de seguridad.

### 1.1 Definiciones de seguridad

Aquí puede encontrar explicaciones de las palabras de señal de seguridad utilizadas en este manual.

#### ADVERTENCIA

Esto indica que pueden producirse la muerte o heridas graves si no se cumple con esta advertencia.

#### PRECAUCIÓN

Esto indica que pueden producirse heridas leves o moderadas si no se cumple con esta advertencia.

#### **AVISO:**

Esto indica que pueden producirse daños en el aparato o en los bienes si no se cumple con este aviso.

**Nota:** Esto alerta sobre información o sugerencias importantes.

### 1.2 Indicaciones generales

- Lea atentamente estas instrucciones.
- Guarde las instrucciones y la información del producto para consultas posteriores o para el próximo propietario.
- El aparato no debe conectarse en caso de haber sufrido daños durante el transporte.

### 1.3 Uso previsto

Utilizar este aparato solo:

- para refrigerar y congelar alimentos, así como para preparar cubitos de hielo y extraer agua.
- en el uso doméstico privado y en espacios cerrados del entorno doméstico.
- hasta una altura de 13 100 ft (4000 m) sobre el nivel del mar.

### 1.4 Limitación del grupo de usuarios

Este aparato no está diseñado para ser utilizado por personas (incluidos niños) con capacidades físicas, sensoriales o mentales reducidas, o falta de experiencia y

conocimiento, a menos que sean supervisados o instruidos acerca del uso del aparato por una persona responsable de su seguridad.

Impida que los niños jueguen con el aparato.

La limpieza y el cuidado del aparato a cargo del usuario no deberán ser efectuados por niños si no cuentan con la supervisión de una persona adulta responsable.

### 1.5 Transporte seguro

#### **ADVERTENCIA**

El elevado peso del aparato podría causar lesiones al levantarlo.

- ▶ Levantar el aparato solamente con ayuda de otra persona.

### 1.6 Instalación segura

#### **ADVERTENCIA**

Las instalaciones incorrectas son peligrosas.

- ▶ Conectar y poner en funcionamiento el aparato solo de conformidad con los datos que figuran en la placa de características.
- ▶ Conectar el aparato solo a una fuente de alimentación con corriente alterna a través de una toma de corriente instalada reglamentariamente y provista de puesta a tierra.
- ▶ La conexión de puesta a tierra de la instalación eléctrica doméstica debe estar instalada de acuerdo con las normas vigentes.
- ▶ No alimentar nunca el aparato a través de un dispositivo de conmutación externo, como por ejemplo, un reloj avisador o un mando remoto.
- ▶ Cuando el aparato esté montado, el enchufe del cable de conexión de red debe quedar accesible, o, en caso de que no pueda quedar accesible, debe instalarse un dispositivo de separación omnipolar en la instalación eléctrica fija, de acuerdo con las normas de instalación.
- ▶ Al instalar el aparato debe prestarse atención a que el cable de conexión de red no quede atrapado ni se dañe.

Un aislamiento dañado del cable de conexión de red es peligroso.

- ▶ Evite que el cable de conexión de red entre en contacto con fuentes de calor.



# INSTRUCCIONES DE SEGURIDAD IMPORTANTES

## LEA Y CONSERVE ESTAS INSTRUCCIONES

### ADVERTENCIA

Si las aberturas de ventilación del aparato se encuentran cerradas, puede generarse una mezcla inflamable de aire y gas si se produce una fuga en el circuito de enfriamiento.

- ▶ No cerrar las aberturas de ventilación de la carcasa del aparato o de la carcasa de la instalación.

### ADVERTENCIA

Utilizar un cable de conexión de red prolongado y adaptadores no autorizados es peligroso.

- ▶ No utilizar cables de prolongación ni regletas de tomas de corriente múltiples.
- ▶ Utilizar solo adaptadores y cables de conexión de red autorizados por el fabricante.
- ▶ Si el cable de conexión de red es demasiado corto y no hay disponible ningún cable de mayor longitud, ponerse en contacto con un técnico electricista para adaptar la instalación doméstica.

Las unidades de alimentación o las tomas de corriente múltiples, móviles, pueden sobrecalentarse y provocar incendios.

- ▶ No colocar las unidades de alimentación o las tomas de corriente múltiples móviles en la parte posterior de los aparatos.

## 1.7 Uso seguro

### ADVERTENCIA

La penetración de humedad puede causar una descarga eléctrica.

- ▶ El aparato solo debe utilizarse en espacios interiores.
- ▶ No exponer el aparato a fuentes intensas de calor y humedad.
- ▶ No utilizar limpiadores por chorro de vapor ni de alta presión para limpiar el aparato.

### ADVERTENCIA

Los niños pueden ponerse el material de embalaje por encima de la cabeza, o bien enrollarse en él, y asfixiarse.

- ▶ Mantener el material de embalaje fuera del alcance de los niños.
- ▶ No permita que los niños jueguen con el material de embalaje.

Los niños pueden inhalar o ingerir pequeñas piezas y asfixiarse.

- ▶ Mantener las piezas pequeñas fuera del alcance de los niños.
- ▶ No permita que los niños jueguen con piezas pequeñas.

### ADVERTENCIA

Si se daña el circuito de refrigeración, puede escaparse líquido refrigerante inflamable y explotar.

- ▶ Para acelerar la descongelación, no utilizar ningún otro dispositivo mecánico u otro medio distinto a los recomendados por el fabricante.
- ▶ Separar los alimentos congelados adheridos con un objeto como el mango de una cuchara de madera.

Los productos que contienen gases propelentes o inflamables y las materias explosivas pueden causar una explosión (por ejemplo, aerosoles).

- ▶ No guardar productos que contengan gases propelentes o inflamables ni materias explosivas en el aparato.

### ADVERTENCIA

Los dispositivos eléctricos en el interior del aparato pueden provocar incendios (por ejemplo, calefactores, fábricas de hielo, etc.).

- ▶ No poner en funcionamiento dispositivos eléctricos en el interior del aparato.

### ADVERTENCIA

Los envases con bebidas carbonatadas pueden estallar.

- ▶ No almacenar envases con bebidas carbonatadas en el congelador.

Riesgo de lesiones en los ojos debido a la salida de líquido refrigerante inflamable y gases nocivos.

- ▶ No dañe las tuberías del circuito de refrigeración y aislamiento.

El aparato puede volcar.

- ▶ No pisar ni apoyarse sobre el pedestal, cajones o puertas.

### ADVERTENCIA

El contacto con productos congelados y superficies frías puede provocar quemaduras por el frío.

- ▶ No introducir nunca en la boca directamente los alimentos congelados extraídos del congelador.



# INSTRUCCIONES DE SEGURIDAD IMPORTANTES

## LEA Y CONSERVE ESTAS INSTRUCCIONES

- ▶ Evitar el contacto prolongado de la piel con los alimentos congelados, el hielo y las superficies del congelador.

### PRECAUCIÓN

Para evitar la contaminación de los alimentos, se deben tener en cuenta las siguientes indicaciones.

- ▶ Si se abre la puerta durante un tiempo prolongado, se puede producir un aumento considerable de la temperatura en los compartimientos del aparato.
- ▶ Limpiar regularmente las superficies que puedan entrar en contacto con alimentos y sistemas de drenado accesibles.
- ▶ Guardar el pescado y la carne cruda en recipientes apropiados en el refrigerador con el fin de que no entren en contacto con otros alimentos ni goteen sobre ellos.
- ▶ Si el refrigerador/congelador está vacío durante mucho tiempo, apagar, descongelar, limpiar y dejar la puerta abierta para evitar la creación de moho.

Las piezas metálicas o con aspecto metálico pueden contener aluminio. Si algún alimento ácido entra en contacto con el aluminio presente en el aparato, los iones de aluminio podrían traspasarse a los alimentos.

- ▶ No consumir alimentos contaminados.

### 1.8 Aparato dañado

#### ADVERTENCIA

Un aparato dañado o un cable de conexión defectuoso son peligrosos.

- ▶ No poner nunca en funcionamiento un aparato dañado.
- ▶ No jalar nunca el cable de conexión a la red eléctrica para desenchufar el aparato. Desenchufar siempre el cable de conexión de red de la toma de corriente.
- ▶ Si el aparato o el cable de conexión de red están dañados, desenchufar inmediatamente el cable de conexión de red o desconectar el fusible de la caja de fusibles y cerrar la llave del agua.
- ▶ Avisar al servicio de atención al cliente. → *Página 85*

Las reparaciones indebidas son peligrosas.

- ▶ Solo se pueden utilizar repuestos originales para reparar el aparato.
- ▶ Si el cable de conexión de red de este aparato resulta dañado, éste debe sustituirse por un cable de conexión especial que puede adquirirse directamente a través del fabricante o de su servicio de atención al cliente.

#### ADVERTENCIA



Si las tuberías están dañadas, se puede escapar refrigerante inflamable y gases nocivos, lo que puede provocar un incendio.

- ▶ Mantener las fuentes de fuego o focos de ignición alejados del aparato.
- ▶ Ventilar la estancia.
- ▶ Apagar el aparato. → *Página 69*
- ▶ Extraer el enchufe del cable de conexión de red o quitar el fusible de la caja de fusibles.
- ▶ Avisar al Servicio de atención al cliente. → *Página 85*

### 1.9 Advertencias en virtud de la Proposición 65 del estado de California

Este producto puede contener un químico que el Estado de California reconoce como potencialmente cancerígeno o causante de daños reproductivos. Por tanto, su producto debe llevar en su embalaje la siguiente etiqueta de conformidad con la legislación de California:

STATE OF CALIFORNIA PROPOSITION 65 WARNING: /  
AVERTISSEMENT ISSUE DE LA PROPOSITION 65  
DE L'ÉTAT DE LA CALIFORNIE:



**WARNING /  
AVERTISSEMENT**

Cancer and Reproductive Harm / Cancer et dommages à la  
reproduction - [www.P65Warnings.ca.gov](http://www.P65Warnings.ca.gov).

## 2 Evitar daños materiales

### AVISO:

Al desplazar el aparato, debido a su elevado peso o la inclinación de las ruedas del aparato, el piso puede resultar dañado.

- ▶ Transportar el aparato con una carretilla para sacos.
- ▶ Proteger el piso con algo cuando se vaya a desplazar el aparato y no volverlo en zigzag.

Al cerrar la puerta del aparato, este puede resultar dañado si el montante de puerta está abierto.

- ▶ No debe abrirse el montante de puerta manualmente.
- ▶ Si el montante de puerta está abierto, este debe cerrarse antes de cerrar la puerta del aparato.

Al subirse o apoyarse sobre pedestales, cajones o puertas, se puede dañar el aparato.

- ▶ No pisar ni apoyarse sobre el pedestal, cajones o puertas.

Una presión de agua demasiado baja o elevada puede influir negativamente en el funcionamiento del aparato.

- ▶ Es preciso asegurarse de que la presión de agua del dispositivo de suministro de agua sea de 29 psi (200 kPa) como mínimo y de 116 psi (800 kPa) como máximo.
- ▶ Si la presión del agua excede el valor máximo indicado, se debe instalar una válvula de reducción de presión entre la toma de agua y el juego de mangueras del aparato.

Las mangueras de agua modificadas o dañadas pueden causar daños a la propiedad o al aparato.

- ▶ No doblar, aplastar, modificar ni cortar las mangueras de agua.
- ▶ No reutilizar nunca las mangueras de agua ya usadas.
- ▶ No jalar nunca la manguera de agua de la parte trasera del aparato.

La suciedad con aceite o grasa puede crear poros en las piezas de plástico y las juntas de las puertas.

- ▶ Mantener las piezas de plástico y juntas de goma limpias de aceites y grasas.

Las piezas metálicas o con aspecto metálico pueden contener aluminio. El aluminio reacciona al contacto con alimentos ácidos.

- ▶ No guardar alimentos sin envasar en el aparato.

## 3 Protección del medio ambiente y ahorro

### 3.1 Consejos para la eliminación del embalaje

Todos los materiales del embalaje son ecológicos y reciclables.

- ▶ Desechar los diferentes materiales separados según su naturaleza.

## 3.2 Ahorrar energía

Si tiene en cuenta estas indicaciones, su aparato consumirá menos corriente.

### Selección del lugar de colocación

- Proteger el aparato de la radiación solar directa.
- Instalar el aparato con la mayor distancia posible respecto a radiadores, hornos y otras fuentes de calor:
  - Mantener una distancia de 1<sup>1</sup>/<sub>4</sub>" (30 mm) respecto a estufas de gas o eléctricas.
  - Mantener una distancia de 11<sup>13</sup>/<sub>16</sub>" (300 mm) respecto a hornos de carbón o aceite.
- No cubrir ni obstruir nunca las aberturas de ventilación exteriores.

### Ahorro de energía durante el funcionamiento

**Nota:** La disposición de las piezas de equipo no influye en el consumo de energía de aparato.

- Abrir brevemente el aparato y cerrarlo correctamente.
- No cubrir ni bloquear nunca las aberturas de ventilación interiores ni las aberturas de ventilación exteriores.
- Transportar los alimentos en una bolsa isotérmica y colocarlos inmediatamente en el congelador.
- Dejar enfriar los alimentos o bebidas calientes hasta la temperatura ambiente antes de almacenarlos.
- Descongelar los productos congelados en el interior del compartimiento de refrigeración para aprovechar el frío desprendido por los mismos.
- Dejar siempre un poco de espacio entre los alimentos y el panel posterior.
- Aspirar el polvo de las rejillas de ventilación exteriores.

## 4 Instalación y conexión

### 4.1 Material entregado

Después de desembalar el aparato, verificar que ninguna pieza haya sufrido daños durante el transporte y que el volumen de suministro esté completo.

Si tiene alguna queja deberá dirigirse al distribuidor en donde adquirió su electrodoméstico o a nuestro servicio de atención al cliente → *Página 85*.

El alcance de la entrega consta de:

- Aparato de libre instalación
- Equipamiento y accesorios<sup>1</sup>
- Material para instalación
- Instrucciones de instalación
- Manual de instrucciones
- Declaración de garantía limitada del producto
- Documento de la garantía<sup>2</sup>
- Etiqueta energética
- Informaciones sobre el consumo de energía y los ruidos del aparato
- Información acerca de Home Connect™

<sup>1</sup> Según el equipamiento del aparato

<sup>2</sup> No disponible en todos los países

## 4.2 Requisitos para seleccionar el lugar de colocación

### ADVERTENCIA

Si el aparato se encuentra en un espacio demasiado pequeño, puede generarse una mezcla inflamable de aire y gas en caso de una fuga del circuito de enfriamiento.

- ▶ Colocar el aparato en espacios que tengan un volumen mínimo de 35 pies cúbicos (1 m<sup>3</sup>) por 0.3 oz (8 g) de líquido refrigerante. La cantidad de refrigerante se indica en la placa de características. → "Aparato", Fig.

**1/8**, Página 65

El peso de fábrica del aparato puede alcanzar, en función del modelo concreto, hasta las 320 lb (145 kg).

Para soportar el peso del dispositivo, la superficie debe ser lo suficientemente estable.

### Colocación arriba y abajo o lado a lado

Si se desea instalar dos aparatos de refrigeración uno encima del otro, debe mantenerse una distancia mínima de 150 mm entre ambos. Para determinados aparatos, es posible una instalación sin distancia mínima. En este sentido, consultar con un distribuidor especializado o planificador de cocinas.

## 4.3 Instalación del aparato

- ▶ Instalar el aparato siguiendo las instrucciones de instalación adjuntas.

## 4.4 Preparar el aparato para el primer uso

1. Retirar el material informativo.
2. Retirar las láminas protectoras y los seguros de transporte, p. ej., la cinta adhesiva y la caja.
3. Efectuar una primera limpieza del aparato.  
→ *Página 76*

## 4.5 Conectar el aparato a la toma de agua

### Requisitos

- Se debe instalar una válvula de cierre en la conexión a la toma de agua y se debe poder acceder libremente a ella una vez instalado el aparato.
- Se debe comprobar la conexión a la toma de agua, y que el agua es de calidad.

1. Enjuagar bien la toma de agua hasta que no haya acumulaciones y el agua salga limpia.

Instalar un sistema de filtro de agua exterior en caso de que haya sedimentos persistentes o el agua siga enturbada.

2. Instalar la toma de agua según las instrucciones de montaje adjuntas.

## 4.6 Conectar el aparato a la red eléctrica

1. Insertar el enchufe IEC del cable de conexión de red en el aparato.
2. Introducir el enchufe del cable de conexión de red del aparato en una toma de corriente cerca del aparato.

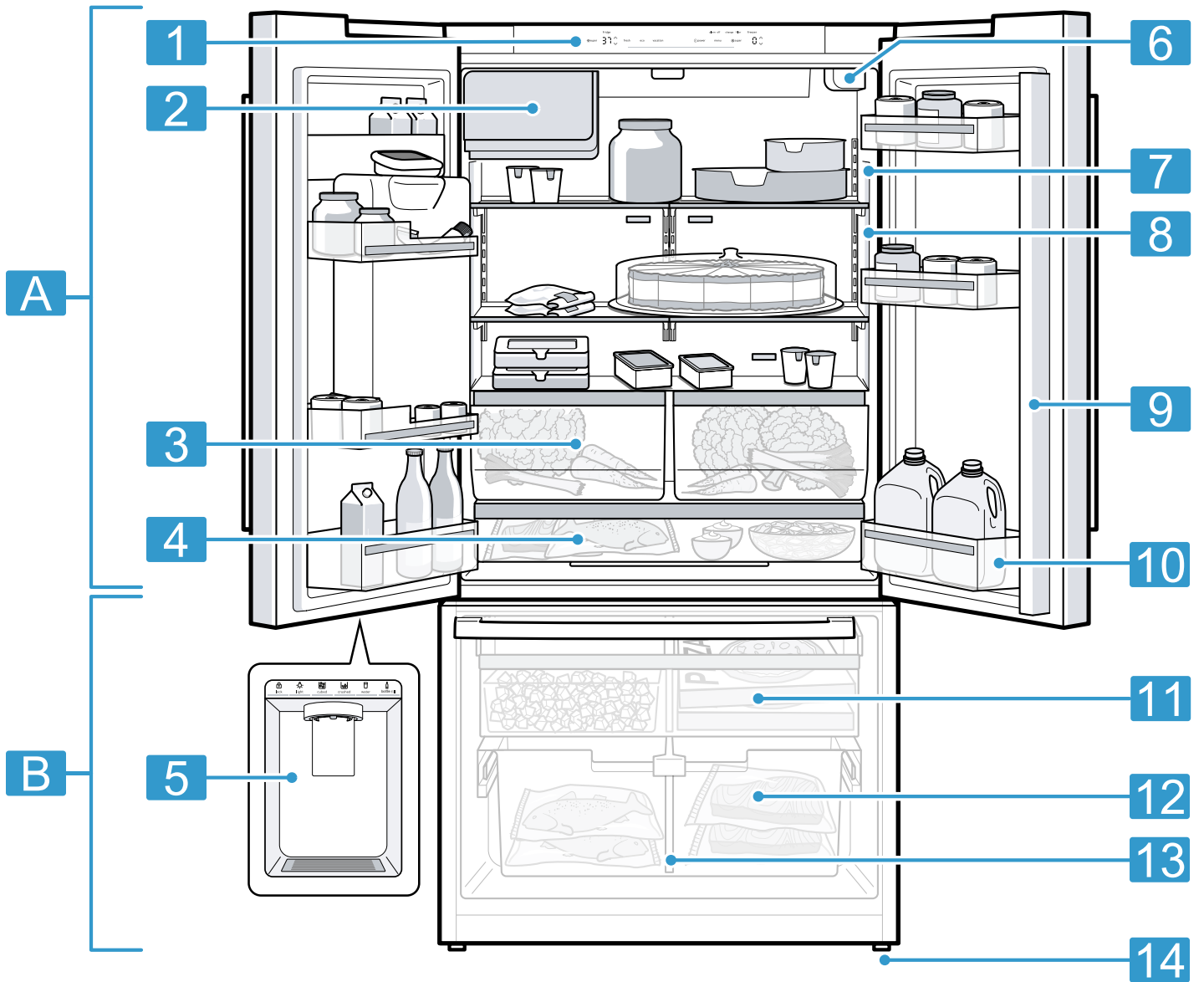
Los datos de conexión del aparato se encuentran en la placa de características. → "Aparato", Fig. **1/8**, *Página 65*

3. Comprobar el asiento firme del enchufe.
  - ✓ El aparato está listo para su uso.

## 5 Familiarizándose con el aparato

### 5.1 Aparato

Aquí encontrará una vista general de los componentes de su aparato.



<b>1</b>	
<b>A</b>	Compartimento de refrigeración → <i>Página 73</i>
<b>B</b>	Congelador → <i>Página 73</i>
<b>1</b>	Panel de control → <i>Página 65</i>
<b>2</b>	Depósito para cubitos de hielo

<b>3</b>	Cajón para fruta y verdura con regulador de humedad → <i>Página 67</i>
<b>4</b>	Recipiente de almacenamiento → <i>Página 67</i>
<b>5</b>	Dispensador de hielo y agua → <i>Página 75</i>
<b>6</b>	Filtro de agua → <i>Página 74</i>



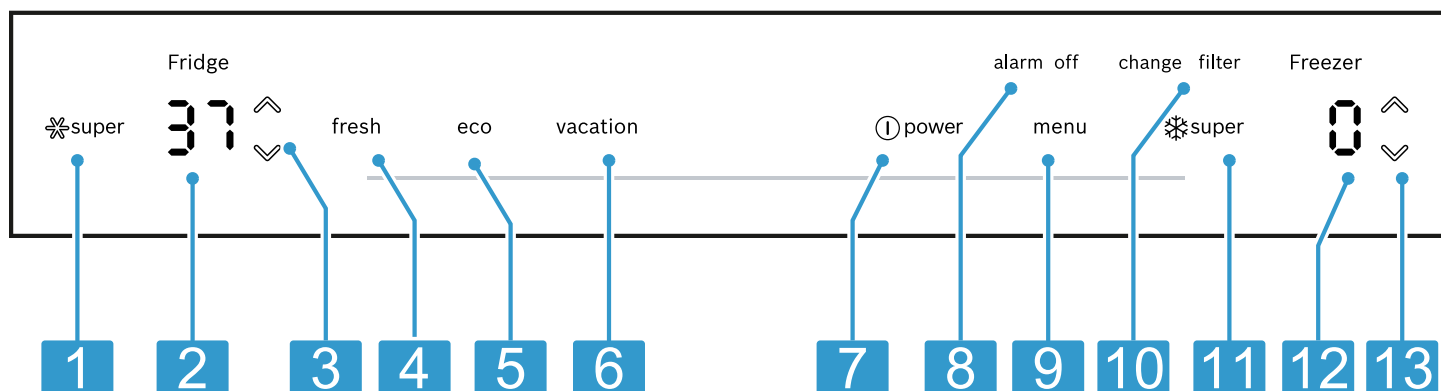
<b>7</b>	Iluminación interior
<b>8</b>	Placa de características → <i>Página 85</i>
<b>9</b>	Montante de puerta con protección contra condensación → <i>Página 62</i>
<b>10</b>	Estantes de la puerta para botellas grandes → <i>Página 68</i>
<b>11</b>	Cajón deslizante para productos congelados → <i>Página 68</i>

<b>12</b>	Recipiente suspendido para productos congelados → <i>Página 68</i>
<b>13</b>	Separador de compartimientos → <i>Página 68</i>
<b>14</b>	Pata atornillada

**Nota:** Es posible que las ilustraciones muestren detalles y características de equipamiento y tamaño que no concuerdan con las de su aparato concreto.

## 5.2 Panel de control

A través del panel de control se ajustan todas las funciones de su aparato y se obtiene información sobre el estado de funcionamiento.

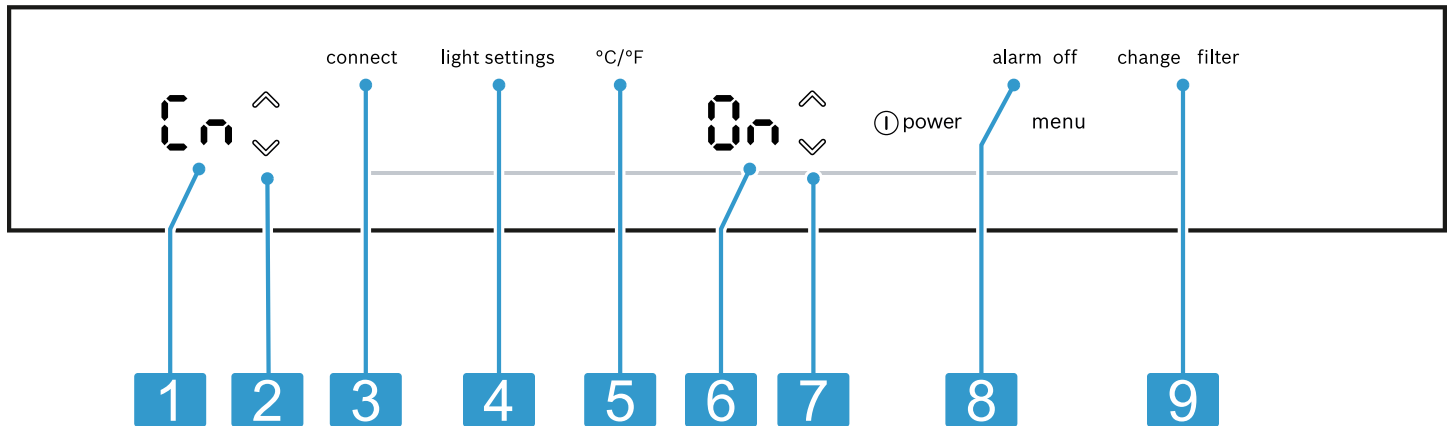




<b>2</b>	
<b>1</b>	❄️super activa o desactiva Superfrío.
<b>2</b>	Muestra la temperatura del compartimiento de refrigeración ajustada en °F o °C.
<b>3</b>	↕/↗ (compartimiento de refrigeración) permiten ajustar la temperatura del compartimiento de refrigeración.
<b>4</b>	fresh activa y desactiva el modo Fresco.
<b>5</b>	eco activa o desactiva el modo de ahorro de energía.
<b>6</b>	vacation activa y desactiva el modo Vacaciones.

<b>7</b>	Ⓜpower enciende y apaga el aparato.
<b>8</b>	alarm off desactiva la alarma.
<b>9</b>	menu abre y cierra el menú.
<b>10</b>	change filter se ilumina cuando se debe cambiar el filtro.
<b>11</b>	❄️super activa o desactiva Supercongelación.
<b>12</b>	Muestra la temperatura del compartimiento de congelación ajustada en °F o °C.
<b>13</b>	↕/↗ (congelador) permiten ajustar la temperatura del congelador.

### 5.3 Panel de control (submenú)

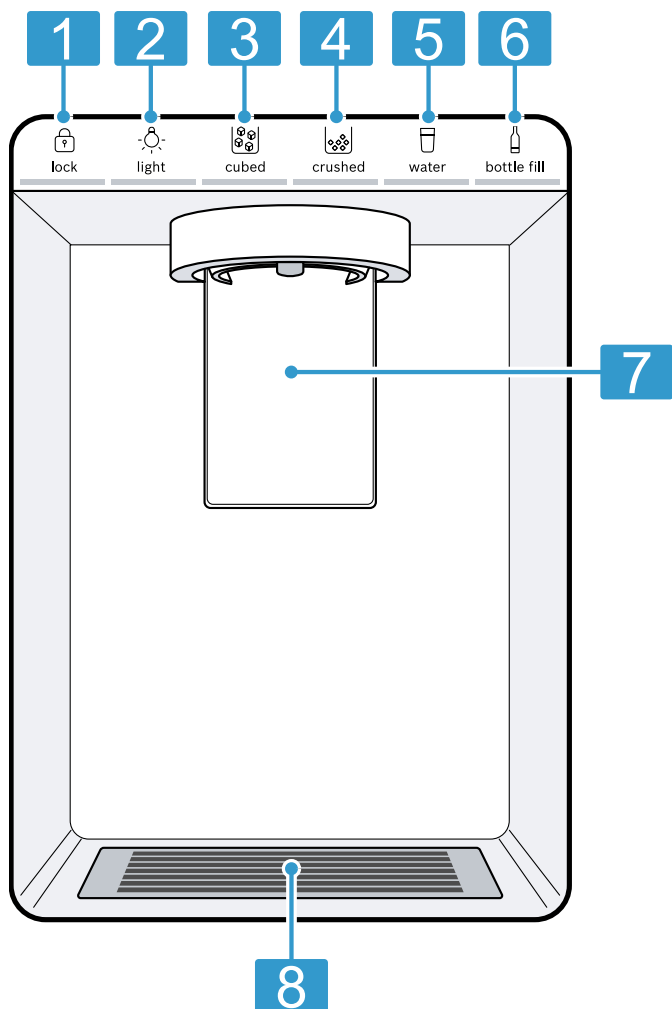
Es posible realizar más ajustes en el submenú.



- 3**
- 1** Muestra el submenú ajustado.
  - 2**  (submenú) sirve para navegar por el submenú.
  - 3** menu abre el menú para realizar los ajustes de Home Connect.
  - 4** light settings abre el menú para ajustar la iluminación.
  - 5** °C/°F abre el menú de modificación de la unidad de temperatura.
  - 6** Muestra el ajuste del submenú.
  - 7**  (ajuste del submenú) modifica el ajuste del submenú.
  - 8** alarm off abre el menú para ajustar la alarma de la puerta.
  - 9** change filter abre el menú para ajustar el filtro.

## 5.4 Panel de control y controles (dispensador de hielo y agua)

Aquí encontrará una vista general de los componentes del dispensador de hielo y agua.



- 4**
- |          |   |
|----------|---|
| <b>1</b> | lock bloquea o desbloquea el dispensador de hielo y agua.                         |
| <b>2</b> | light enciende o apaga la iluminación permanente del dispensador de hielo y agua. |
| <b>3</b> | cubed ajusta el dispensador a cubitos de hielo.                                   |
| <b>4</b> | crushed ajusta el dispensador a hielo triturado.                                  |
| <b>5</b> | water ajusta el dispensador a agua.   |
| <b>6</b> | bottle fill ajusta el dispensador a una cantidad de agua determinada.             |
| <b>7</b> | Interruptor de extracción   |
| <b>8</b> | Rejilla de goteo → <i>Página 77</i>   |

## 6 Equipamiento

El equipamiento del aparato depende del modelo.

### 6.1 Bandeja

#### AVISO:

Los ganchos de la bandeja pueden rayar el panel posterior del compartimento de refrigeración si se enganchan inclinados.

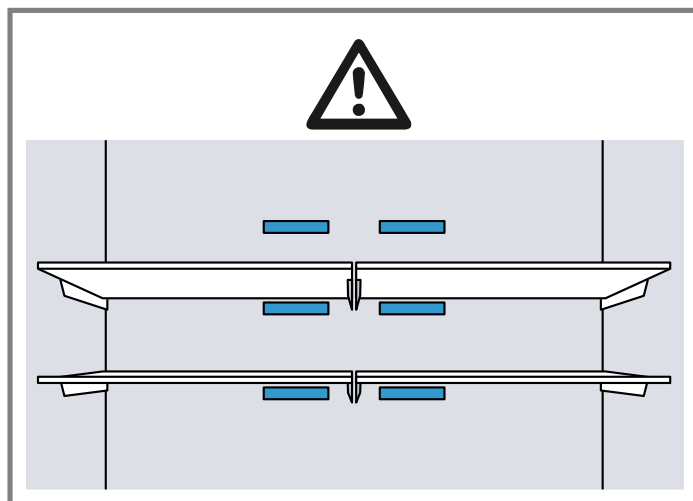
- ▶ Asegurarse de que la bandeja esté en posición horizontal y de que los ganchos estén totalmente enganchados.

Si se desea modificar la posición de las bandejas según sea necesario, es posible retirarlas y volver a colocarlas en otro lugar.

→ "Retirar las bandejas", *Página 77*

#### Nota

No cubrir los orificios de ventilación interiores para no perjudicar la circulación del aire.



### 6.2 Recipiente de almacenamiento

El recipiente de almacenamiento se encuentra a temperaturas más bajas que el compartimento de refrigeración. Ocasionalmente pueden registrarse temperaturas inferiores a 32 °F (0 °C).

Para que el recipiente de almacenamiento alcance temperaturas en torno a 0 °C (32 °F), activar el Modo Fresco. → *Página 70*

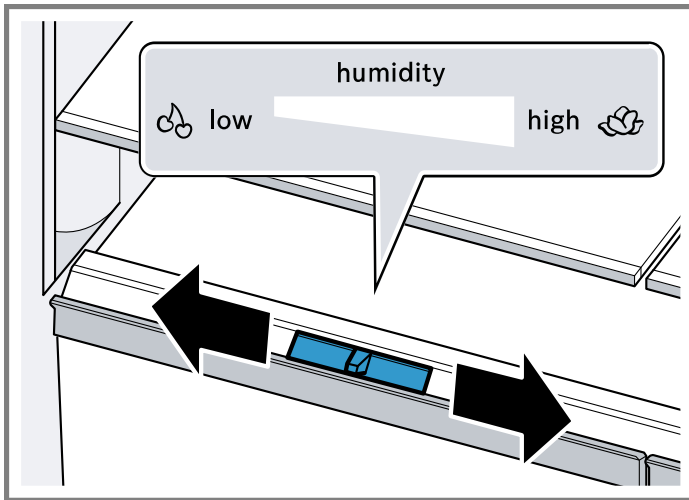
La zona de menor temperatura del recipiente de almacenamiento se utiliza para guardar alimentos perecederos (por ejemplo, pescado, carne y embutido).

### 6.3 Cajón para fruta y verdura con regulador de humedad

Guardar las frutas y verduras frescas, sin su envase, en el cajón para frutas y verduras.

Tapar la fruta y la verdura cortadas o almacenarlas en envases herméticos.

En el cajón para la fruta y la verdura, la humedad del aire se puede ajustar a través de un control regulador. De esta manera, se pueden guardar la fruta y verdura más tiempo que con los métodos de almacenamiento convencionales.



Deslizar el regulador de humedad para ajustar la humedad del aire en el cajón para fruta y verdura en función de la naturaleza y la cantidad de alimentos que se vayan a guardar en el mismo:

- Nivel bajo de humedad del aire low para guardar preferentemente fruta, alimentos frescos en general o grandes cantidades de alimentos frescos.
- Nivel alto de humedad high para guardar preferentemente hortalizas, o si hay poca carga de alimentos frescos.

En función de la cantidad y el tipo de alimentos almacenados en el cajón para fruta y verdura, puede formarse agua de condensación en el mismo. Eliminar el agua de condensación con un paño seco y ajustar un nivel bajo de humedad del aire usando el mando regulador.

Para conservar la calidad y el sabor de las frutas y hortalizas sensibles al frío (p. ej. piñas, plátanos, cítricos, pepinos, calabacitas, pimientos, tomates y papas), se recomienda almacenarlas fuera del aparato a una temperatura aproximada de entre 46 °F (8 °C) y 54 °F (12 °C).

## 6.4 Separador de compartimientos

### ADVERTENCIA

Los niños pueden subirse al aparato y asfixiarse.

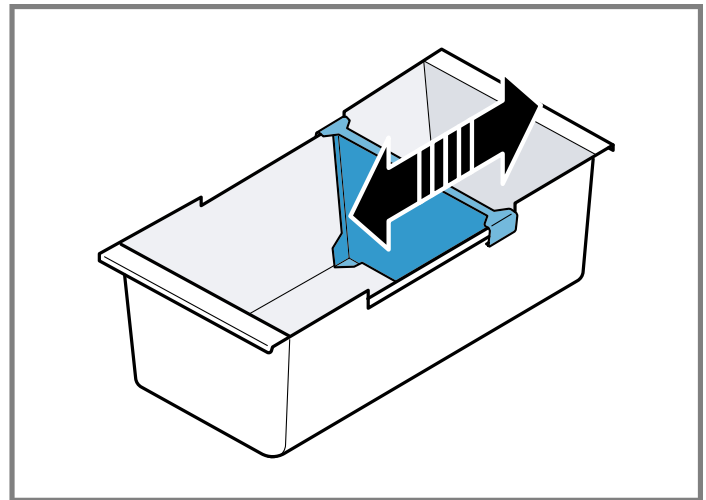
- ▶ No retirar nunca el divisor del recipiente suspendido para productos congelados.

### AVISO:

El divisor del recipiente suspendido para productos congelados puede resultar dañado si se extrae.

- ▶ No retirar nunca el divisor del recipiente suspendido para productos congelados.

Para variar la división del recipiente suspendido para productos congelados, deslizar el divisor del recipiente.



## 6.5 Cajón deslizante de productos congelados

Para obtener una mejor vista general y para retirar productos congelados más rápidamente, se puede extraer el cajón deslizante de productos congelados.

## 6.6 Recipiente suspendido para productos congelados

El recipiente suspendido permite almacenar productos congelados grandes.

## 6.7 Estantes de la puerta para botellas

Los estantes para botellas pueden retirarse y recolocarse en otro lugar para modificar su posición según sea necesario.

→ "Retirar el botellero de puerta", Página 77

## 6.8 Depósito para cubitos de hielo

Cuando el dispensador de hielo y agua está activado, la producción de cubitos se guarda automáticamente en el depósito para cubitos.

### ADVERTENCIA

Si se introduce la mano en la abertura dispensadora del depósito para cubitos de hielo, se pueden producir lesiones por cortes.

- ▶ No introducir nunca las manos en la abertura dispensadora del depósito para cubitos de hielo.

### ADVERTENCIA

El contacto con los cubitos de hielo y superficies frías puede provocar quemaduras por frío.

- ▶ Evitar el contacto prolongado de la piel con los cubitos de hielo y las superficies del depósito para cubitos.

### AVISO:

El dispensador de hielo y agua puede resultar dañado o bloqueado si se introducen alimentos u objetos en el depósito para cubitos.

- ▶ No colocar nunca alimentos ni objetos en el depósito para cubitos.
- ▶ No guardar nunca en el depósito para cubitos de hielo los cubitos producidos externamente.

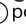
## Recomendaciones

- Retirar las cantidades más grandes de cubitos de hielo directamente del depósito para cubitos de hielo o guardarlas en el cajón deslizante para productos congelados. → *Página 78*
- Extraer el depósito para cubitos de hielo jalándolo con las dos manos, ya que el depósito para cubitos pesa si está lleno.

## 7 Manejo básico

### 7.1 Encender el aparato

1. Conectar el aparato a la red eléctrica. → *Página 63*

**Nota:** Si el aparato se ha apagado previamente con el panel de control, presionar  power.

- ✓ El aparato comienza a enfriar.
  - ✓ Se escucha un tono de advertencia y la indicación de la temperatura (congelador) parpadea y alarm off se ilumina porque la temperatura del congelador es demasiado alta.
2. Desactivar la señal acústica con alarm off.
    - ✓ alarm off se apaga tan pronto como se ha alcanzado la temperatura ajustada.
  3. Ajustar la temperatura deseada. → *Página 69*

### 7.2 Advertencias relativas al funcionamiento del aparato


- Una vez encendido el aparato, transcurren varias horas hasta que se alcanza la temperatura ajustada. No introducir alimentos en el aparato antes de alcanzar la temperatura ajustada.
- Los lados frontales y las paredes laterales del aparato se calientan ligeramente en ocasiones. De esta forma, se evita la formación de agua de condensación.
- Cuando se cierra la puerta, puede generarse presión negativa. La puerta se vuelve a abrir con dificultad. Esperar un momento hasta que la presión se estabilice.

### 7.3 Apagar el aparato

- ▶ Presionar  power.


### 7.4 Ajustar la unidad de temperatura

Es posible elegir entre °F y °C como unidades de temperatura.

1. Presionar menu.
2. Presionar °C/°F.
3. Presionar  (ajuste del submenú) hasta que el indicador de ajustes del submenú muestre F o C.
4. Presionar menu.


### 7.5 Ajustar la temperatura

#### Ajustar la temperatura del compartimiento refrigerador

- ▶ Presionar  (compartimiento de refrigeración) varias veces hasta que la indicación de temperatura (compartimiento de refrigeración) muestre la temperatura deseada.

La temperatura recomendada del compartimiento de refrigeración asciende a 37 °F (3 °C).

#### Ajustar la temperatura del compartimiento congelador

- ▶ Presionar  (congelador) varias veces hasta que la indicación de temperatura (congelador) muestre la temperatura deseada.

La temperatura recomendada del congelador es de 0 °F (-18 °C).

## 8 Funciones adicionales



### 8.1 Superfrío

Mediante la función Superfrío, el compartimiento de refrigeración se enfría hasta alcanzar la temperatura más baja posible.

Encender Superfrío antes de almacenar grandes cantidades de alimentos.


**Nota:** Estando activada la función Superfrío, el nivel sonoro del aparato puede aumentar.

#### Activar Superfrío

- ▶ Presionar  super.
- ✓ Se enciende  super.

**Nota:** La función se desactiva automáticamente pasadas unas 6 horas y el aparato vuelve al funcionamiento normal.

#### Desactivar Superfrío

- ▶ Presionar  super.
- ✓ Se muestra la temperatura ajustada anteriormente.

### 8.2 Supercongelación

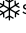

Con la función Supercongelación, el congelador enfría a la temperatura más baja posible.

Activar Supercongelación entre una y dos horas antes de almacenar una cantidad de alimentos de 4.4 lb (2 kg) o superior en el congelador.

Utilizar Supercongelación para acelerar la producción de cubitos de hielo.


**Nota:** Estando activada la función Supercongelación, el nivel sonoro del aparato puede aumentar.

#### Activar Supercongelación

- ▶ Presionar  super.
- ✓ Se enciende  super.

**Nota:** La función se desactiva automáticamente pasadas unas 8 horas y el aparato vuelve al funcionamiento normal.

#### Desactivar Supercongelación

- ▶ Presionar  super.
- ✓ Se muestra la temperatura ajustada anteriormente.

### 8.3 Modo vacaciones

En caso de ausentarse durante un largo período de tiempo, puede activarse el modo de vacaciones.

#### **⚠ PRECAUCIÓN**

Mientras está activado el modo vacaciones, el compartimiento de refrigeración se calienta. El aumento de la temperatura puede contribuir a la proliferación de bacterias y a que se echen a perder los alimentos.

- ▶ Si está activo el modo vacaciones, no deben guardarse alimentos en el compartimiento de refrigeración.

El aparato reajusta automáticamente las siguientes temperaturas.

Compartimiento de refrigeración	43 °F (6 °C)
Congelador	Temperatura sin cambios

**Nota:** Durante el modo de vacaciones, se desactiva la producción de cubitos de hielo y de agua.

#### **Activar el modo vacaciones**

- ▶ Presionar vacation.
- ✓ Se enciende vacation.

#### **Desactivar el modo vacaciones**

- ▶ Presionar vacation.
- ✓ Se muestra la temperatura ajustada anteriormente.

### 8.4 Modo de ahorro energético

Con el modo de ahorro de energía, el funcionamiento del aparato cambia para consumir menos energía. El aparato reajusta automáticamente las siguientes temperaturas.

Compartimiento de refrigeración	43 °F (6 °C)
Congelador	6 °F (-14 °C)

#### **Activar el modo de ahorro de energía**

- ▶ Presionar eco.
- ✓ Se enciende eco.

#### **Desactivar el modo de ahorro de energía**

- ▶ Presionar eco.
- ✓ Se muestra la temperatura ajustada anteriormente.

### 8.5 Modo fresco

Para mantener frescos los alimentos durante más tiempo, puede activarse el modo fresco del aparato. El aparato reajusta automáticamente las siguientes temperaturas.

Compartimiento de refrigeración	36 °F (2 °C)
Congelador	Temperatura sin cambios

#### **Activar el modo fresco**

- ▶ Presionar fresh.
- ✓ fresh se ilumina.

#### **Desactivar el modo fresco**



- ▶ Presionar fresh.
- ✓ Se muestra la temperatura ajustada anteriormente.

### 8.6 Iluminación interior

Es posible desactivar la iluminación interior o ajustar el brillo.

0	Iluminación interior desactivada
1	brillo mínimo
5	brillo máximo

#### **Ajustar la iluminación interior**

1. Presionar menu.
2. Presionar light settings.
3. Presionar  /  (ajuste del submenú) hasta que el indicador de ajustes del submenú muestre el ajuste deseado.
4. Presionar menu.

### 8.7 Modo Sabbat

Con el modo Modo Sabbat se desconectan todas las funciones que no son necesarias, para que también pueda utilizarse el aparato durante el Sabbat. Durante el modo Modo Sabbat, las siguientes funciones permanecen desconectadas:

- Superfrío
- Supercongelación
- Alarma
- Dispensador de agua
- Producción de cubitos de hielo y dispensador de cubitos de hielo
- Iluminación interior
- Señales acústicas
- Mensajes en el panel de control

**Nota:** Durante el modo Modo Sabbat, se atenúa la iluminación del panel de control.

#### **Activar Modo Sabbat**

- ▶ Mantener presionado vacation durante diez segundos hasta que suene una señal acústica.
- ✓ alarm se ilumina.

**Nota:** Después de aproximadamente 80 horas, el aparato vuelve a funcionamiento normal.

#### **Desactivar Modo Sabbat**

- ▶ Mantener presionado alarm durante cinco segundos hasta que suene una señal acústica.

### 8.8 Notificación de cambio de filtro

La notificación de cambio de filtro se activa cada seis meses. change filter se ilumina.

**Nota:** Si aumenta el consumo de agua, la notificación de cambio de filtro se activa antes.



#### **Desactivar la notificación de cambio de filtro**

1. Sustituir el filtro de agua.  
La tapa con bypass no debe sustituirse.




- Mantener presionado change filter durante tres segundos.
- ✓ change filter se apaga.
- ✓ El estado de cambio del filtro se ha restablecido.

## 8.9 Estado de cambio de filtro

Si se sustituye el filtro antes de que se emita la notificación para cambiarlo, es preciso restablecer el estado de cambio de filtro.

	Medición del estado de cambio del filtro en curso
	Restablecer el estado de cambio de filtro

### Restablecer el estado de cambio de filtro

- Presionar menu.
- Presionar change filter.
- ✓ En el indicador de ajustes del submenú aparece .
- Presionar  (ajuste del submenú).
- ✓ En el indicador de ajustes del submenú aparece .
- Presionar menu.

## 9 Alarma

### 9.1 Alarma de la puerta

Si la puerta permanece abierta durante más tiempo, la alarma de la puerta se activa.



Suena una señal acústica y alarm off parpadea.

#### Apagar la alarma de la puerta



- ▶ Cerrar la puerta del aparato o presionar alarm off.
- ✓ La señal acústica se apaga.
- ✓ alarm off se apaga.

#### Alarma acústica de la puerta



La alarma acústica de la puerta puede activarse o desactivarse.

	Alarma acústica activada
	Alarma acústica desactivada

#### Activar la alarma acústica de la puerta

- Presionar menu.
- Presionar alarm off.
- Presionar /  (ajuste del submenú) hasta que el indicador de ajustes del submenú muestre el ajuste deseado.
- Presionar menu.

#### Desactivar la alarma acústica de la puerta

- Presionar menu.
- Presionar alarm off.
- Presionar /  (ajuste del submenú) hasta que el indicador de ajustes del submenú muestre el ajuste deseado.
- Presionar menu.

## 9.2 Alarma de temperatura

La alarma de temperatura se activa si la temperatura es demasiado alta.

Suena una señal acústica, parpadean la temperatura ajustada (congelador) y alarm off.

### PRECAUCIÓN

Las bacterias pueden multiplicarse durante el proceso de descongelación de los alimentos y estos pueden deteriorarse.

- ▶ No volver a congelar los alimentos que se hayan descongelado o empezado a descongelar.
- ▶ Solo después de cocinarlos o freírlos, se podrán volver a congelar.
- ▶ El período máximo de almacenamiento ya no se podrá usar.

La alarma de temperatura puede activarse en los casos siguientes:

- El aparato se pone en funcionamiento. No guardar los alimentos hasta que se haya alcanzado la temperatura establecida.
- Se han colocado grandes cantidades de alimentos frescos en el interior. Antes de almacenar grandes cantidades de alimentos frescos, activar Supercongelación.
- Al tener abierta durante mucho tiempo la puerta del congelador. Comprobar que los alimentos se hayan congelado o descongelado por completo.

#### Apagar la alarma de temperatura

- ▶ Presionar alarm off.
- ✓ La señal acústica se apaga.
- ✓ En la indicación de temperatura (congelador) se muestra brevemente la temperatura más elevada registrada en el congelador. Seguidamente, la indicación de temperatura (congelador) muestra la temperatura ajustada.
- ✓ A partir de este momento se vuelve a determinar la temperatura más elevada, que queda almacenada.

## 10 Home Connect™

Este aparato es apto para la conexión en red. Conecte su aparato con un dispositivo móvil para manejar las funciones a través de la aplicación Home Connect™. Los servicios Home Connect™ no están disponibles en todos los países. La disponibilidad de la función Home Connect™ depende de la disponibilidad de los servicios Home Connect™ en su país. Para obtener más información, consulte: [www.home-connect.com](http://www.home-connect.com). Para poder utilizar Home Connect™ establezca primero la conexión con la red doméstica WLAN (Wi-Fi<sup>1</sup>) y con la aplicación Home Connect™. Después de encender el aparato esperar al menos dos minutos hasta que concluya la inicialización interna del mismo. Solo entonces realice la configuración de Home Connect™.

La aplicación Home Connect™ le guiará durante el proceso de registro. Siga las instrucciones indicadas en la aplicación Home Connect™ para establecer los ajustes.

<sup>1</sup> Wi-Fi es una marca registrada de Wi-Fi Alliance.

## Recomendaciones

- Para ello, tener en cuenta la documentación adjunta de Home Connect™.
- Observe también las indicaciones de la aplicación Home Connect™.

## Notas

- Debe tener en cuenta las indicaciones de seguridad de este manual de instrucciones y garantizar el cumplimiento de las mismas, cuando opere el aparato a través de la aplicación Home Connect™.  
→ "Seguridad", Página 59
- En todo caso, tiene prioridad el manejo desde el propio electrodoméstico. Durante ese tiempo, el manejo del aparato no es posible a través de la aplicación Home Connect™.

## 10.1 Configurar Home Connect™

**Requisito:** La aplicación Home Connect™ está configurada en el dispositivo móvil.

1. Escanear el código QR con ayuda de la aplicación Home Connect™.



2. Seguir las instrucciones de la aplicación Home Connect™.

## 10.2 Verificar la intensidad de la señal

La intensidad de la señal debe comprobarse si la conexión no se establece correctamente.

1. Presionar menú.
  - ✓ connect se ilumina y aparece **En** en el indicador del submenú.
2. Presionar repetidamente **↘/↗** (submenú) hasta que aparezca **5i** en el indicador del submenú.
  - ✓ El indicador de ajustes del submenú muestra un valor entre **0** (sin cobertura) y **3** (cobertura completa).
3. Presionar menú.

**Nota:** El valor de intensidad de la señal debería ser **2** como mínimo.

### Mejorar la cobertura

Si la intensidad de la señal es demasiado baja, puede interrumpirse la conexión.

- ▶ Ejecutar una de las posibles soluciones:
  - Acercar el router y el aparato refrigerador.
  - Asegurarse de que la conexión no está perturbada por paredes con blindaje.
  - Para intensificar la señal, instalar un repetidor.

## 10.3 Instalar la actualización del software de Home Connect

El aparato busca periódicamente actualizaciones para el software Home Connect™.

**Nota:** Si hay actualizaciones disponibles, aparece **UP** en el indicador del submenú.

Para cancelar la actualización y restablecer el indicador del submenú a la temperatura ajustada, presionar cualquier casilla táctil.

1. Presionar menú.
  - ✓ connect se ilumina y aparece **En** en el indicador del submenú.
2. Presionar repetidamente **↘/↗** (submenú) hasta que aparezca **UP** en el indicador del submenú y **UF** en el indicador de ajustes del submenú.
3. Presionar **↗** (ajuste del submenú).
  - ✓ Aparece una animación en el indicador de ajustes del submenú.
  - ✓ La actualización se está instalando.
  - ✓ Durante la instalación el panel de control está bloqueado.
  - ✓ Si la instalación se realiza con éxito, aparece **On** en el indicador de ajustes del submenú.
4. Si aparece **Er** en el indicador de ajustes del submenú, significa que el aparato no ha podido instalar la actualización.
  - Repetir la operación en otro momento.
5. Si no es posible completar la actualización tras varios intentos, ponerse en contacto con el Servicio de atención al cliente → *Página 85*.

## 10.4 Restablecer los ajustes de Home Connect™

Si el aparato presenta problemas de conexión con la red inalámbrica doméstica WLAN (Wi-Fi) o si se desea conectarlo a otra red, es posible restablecer los ajustes de Home Connect™.

1. Presionar menú.
  - ✓ connect se ilumina y aparece **En** en el indicador del submenú.
2. Presionar repetidamente **↘/↗** (submenú) hasta que aparezca **rE** en el indicador del submenú y **UF** en el indicador de ajustes del submenú.
3. Presionar **↗** (ajuste del submenú).
  - ✓ El indicador de ajustes del submenú muestra una animación durante unos 15 segundos.
  - ✓ En el indicador de ajustes del submenú aparece **On**.
  - ✓ Se han restablecido los ajustes de Home Connect™.
4. Presionar menú.

## 10.5 Diagnóstico remoto

El servicio de atención al cliente puede acceder al aparato a través del Diagnóstico Remoto al ponerse en contacto con dicho servicio si el aparato está conectado con el servidor Home Connect™ y si el Diagnóstico Remoto está disponible en el país en el que se utiliza el aparato.

**Consejo** Para más información, así como para consultar la disponibilidad del servicio de Diagnóstico Remoto en un país en concreto, consulte la página web de ayuda/ Servicio Técnico local: [www.home-connect.com](http://www.home-connect.com)



## 10.6 Protección de datos

Tenga en cuenta las indicaciones relativas a la protección de datos.

Al conectar por primera vez su aparato a una red doméstica asociada a Internet, el aparato transmite las siguientes categorías de datos al servidor de Home Connect™ (registro inicial):

- Identificación unívoca del aparato (compuesta por la clave del aparato y la dirección MAC del módulo de comunicación Wi-Fi utilizado).
- Certificado de seguridad del módulo de comunicación Wi-Fi (para la protección técnica de la información de la conexión).
- La versiones actuales del software y del hardware del electrodoméstico.
- El estado de un posible restablecimiento previo a los ajustes de fábrica.

El registro inicial prepara la utilización de las funciones Home Connect™ y solo es necesario la primera vez que se vayan a utilizar dichas funciones Home Connect™.

**Nota:** Se debe tener en cuenta que las funciones Home Connect™ solo se pueden utilizar en conexión con la aplicación Home Connect™. Se puede consultar la información relativa a la protección de datos en la aplicación Home Connect™.

## 11 Compartimiento de refrigeración

En el compartimiento de refrigeración, se puede almacenar carne, pescado, productos lácteos, huevos, bebidas, platos preparados y productos de panadería. La temperatura puede ajustarse de 33 °F (1 °C) a 43 °F (6 °C).

En el compartimiento de refrigeración, también se pueden conservar alimentos perecederos a corto y medio plazo. Cuanto más baja sea la temperatura seleccionada, más tiempo se mantienen frescos los alimentos.

### 11.1 Consejos para el almacenamiento de alimentos en el compartimiento de refrigeración

- Guardar únicamente alimentos frescos y en perfecto estado.
- Almacenar los alimentos envasados herméticamente o tapados adecuadamente.
- No colocar los alimentos delante de las ranuras de ventilación interiores ni en contacto directo con la placa posterior para no perjudicar la circulación de aire y evitar que se congelen los alimentos.
- Dejar enfriar los alimentos y bebidas calientes.
- Deben observarse las fechas de caducidad o de consumo preferente señaladas por los fabricantes.

### 11.2 Zonas de frío del compartimiento de refrigeración

La circulación de aire en el compartimiento de refrigeración genera diferentes zonas de frío.

#### La zona más fría

La zona más fría es la del recipiente de almacenamiento.

**Consejo** Guardar en la zona de más frío los alimentos perecederos, como pescado, embutido y carne.

#### La zona menos fría

La zona menos fría se encuentra en la parte superior de la cara interior de la puerta.

**Consejo** Guardar en la zona menos fría la comida menos perecedera, por ejemplo, el queso curado y la mantequilla. De esta manera, el queso conservará su aroma y la mantequilla se podrá untar en el pan fácilmente.

## 12 Congelador

En el congelador, es posible guardar productos ultracongelados, congelar alimentos y preparar cubitos de hielo.

La temperatura puede ajustarse de 6 °F (-14 °C) a -7 °F (-22 °C).

El almacenamiento de alimentos durante largos periodos de tiempo deberá efectuarse a una temperatura de 0 °F (-18 °C) o inferior.

Los alimentos perecederos pueden almacenarse congelados durante mucho tiempo. Las bajas temperaturas ralentizan o detienen su deterioro.

### 12.1 Consejos para colocar los alimentos en el congelador

- Almacenar los alimentos en envases herméticos.
- Los alimentos congelados no deben entrar en contacto con los alimentos frescos que se desean congelar.
- Distribuir uniformemente los alimentos en el recipiente suspendido para productos congelados.
- Para congelar grandes cantidades de alimentos frescos de forma rápida y cuidadosa, deben colocarse en el cajón deslizante para productos congelados.

### 12.2 Consejos para congelar alimentos frescos

- Congelar solo alimentos frescos y en perfectas condiciones.
- Congelar alimentos en porciones.
- Los alimentos preparados son más adecuados que los alimentos crudos.
- Lavar, trocear y escaldar la verdura antes de congelarla.
- Lavar la fruta, retirar los huesos, y si así se desea, pelarla antes de congelarla; dado el caso, se le puede añadir azúcar o una solución de ácido ascórbico.
- Algunos alimentos apropiados para congelar son el pan y la bollería, el pescado, el marisco, la carne, la caza, las aves, los huevos sin cáscara, el queso, la mantequilla, el requesón, los platos precocinados y los restos de comida.
- Algunos alimentos no apropiados para congelar son las lechugas, los rabanitos, los huevos con cáscara, las uvas, las manzanas o peras crudas, los yogures, la nata agria o fresca y la mayonesa.

### Envasado de los productos congelados

Utilizar el tipo y el material de embalaje adecuados permite conservar significativamente la calidad de los productos y evitar que se quemen por congelación.

1. Introducir los alimentos en el embalaje previsto para tal efecto.
2. Eliminar todo el aire que pudiera haber en el envase.
3. Envasar los alimentos herméticamente para que no se deshidraten ni pierdan su sabor.
4. Marcar los envases, indicando su contenido y la fecha de congelación.

### 12.3 Métodos de descongelación para productos congelados

#### ⚠ PRECAUCIÓN

Las bacterias pueden multiplicarse durante el proceso de descongelación de los alimentos y estos pueden deteriorarse.

- ▶ No volver a congelar los alimentos que se hayan descongelado o empezado a descongelar.
- ▶ Solo después de cocinarlos o freírlos, se podrán volver a congelar.
- ▶ El período máximo de almacenamiento ya no se podrá usar.
- Descongelar en el compartimiento frigorífico los alimentos de origen animal, como el pescado, la carne, el queso o el requesón.
- Descongelar el pan a temperatura ambiente.
- Preparar los alimentos de consumo inmediato en el microondas, en el horno o en las placas de cocción.

## 13 Sistema de agua

El aparato tiene componentes que conducen agua. El sistema de agua solo funciona si hay instalado un filtro de agua o una tapa con bypass. Desconectar la producción de cubitos de hielo antes de desconectar el aparato de la toma de agua. → *Página 76*

### 13.1 Filtro de agua

El filtro de agua filtra las partículas del agua y el sabor a cloro. El filtro de agua reduce otros tipos de impurezas, como la cloramina, el plomo y los productos farmacéuticos.

**Nota:** El filtro de agua no filtra bacterias ni microbios del agua.

Sustituir el filtro de agua:

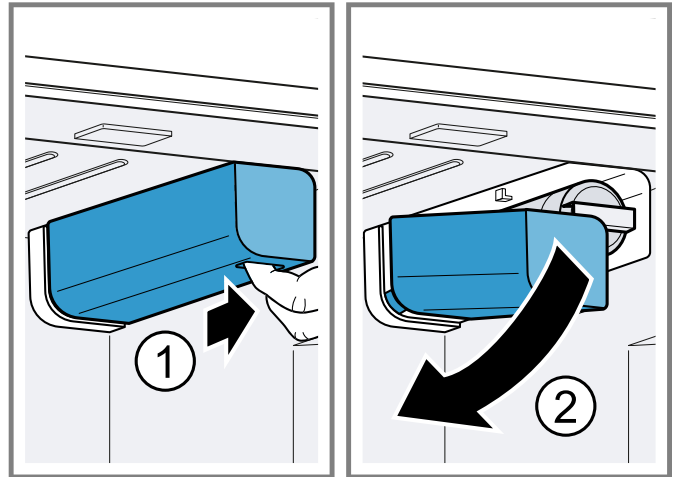
- cada 6 meses.
- si se enciende change filter.
- si se aprecia que se agota el dispensador de agua.

#### Recomendaciones

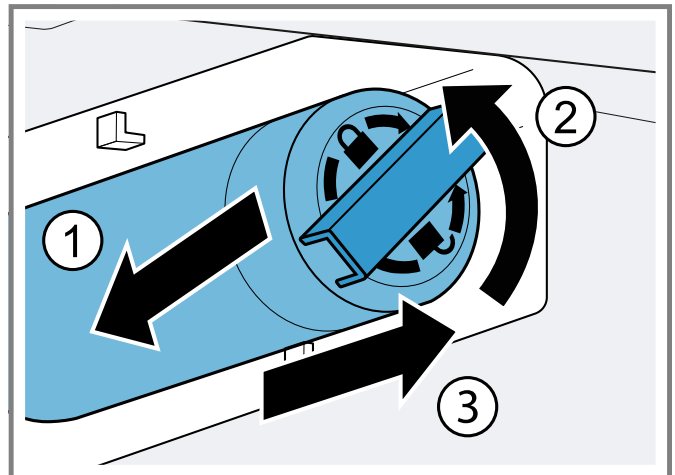
- Se puede obtener un nuevo filtro de agua a través de nuestro servicio de atención al cliente, de un distribuidor o en nuestra página web.
- Si no se desea utilizar un filtro de agua en el aparato o se tiene instalado un sistema de filtro de agua exterior, es posible reemplazar para siempre el filtro de agua por una tapa con bypass. La tapa con bypass solo filtra partículas gruesas del agua y puede limpiarse en caso sea necesario. Puede obtener una tapa con bypass a través de nuestro Servicio de atención al cliente o en nuestra página web.

### Sustituir el filtro de agua o reemplazarlo por una tapa con bypass

1. Agarrar la muesca ubicada debajo de la cubierta del filtro ①, desplazarla suavemente hacia adelante y plegarla hacia abajo a la izquierda ②.



2. Doblar el filtro del agua hacia abajo a la izquierda ①, girarlo 90° en sentido antihorario ② y retirarlo ③.
  - Retirar con cuidado el filtro de agua, ya que puede estar bajo presión.



**Nota:** Goteará un poco de agua al retirar el filtro. Eliminar el agua que ha goteado con un paño seco.

**Consejo** El filtro de agua usado se puede desechar con la basura del hogar.

3. Empujar el nuevo filtro de agua o la tapa con bypass en la apertura del filtro hasta el tope, girarlo 90° en sentido horario hasta el tope y doblarlo hacia arriba a la derecha.
4. Plegar la cubierta del filtro hacia arriba a la derecha y empujar hacia atrás hasta el tope.
5. Desechar los cubitos de hielo que se hayan producido en las primeras 24 horas y desechar el agua que salga durante cinco minutos.

## 13.2 Dispensador de hielo y agua

El dispensador de hielo y agua se utiliza para extraer cubitos de hielo, hielo triturado y agua fría.

Para lograr la producción máxima de cubitos de hielo de hasta 5.4 kg (12 lbs) en un periodo de 24 horas:

- Ajustar la temperatura del congelador a la temperatura más baja posible.
- Vaciar el depósito para cubitos de hielo cada 3 horas.

La cantidad de producción de cubitos de hielo varía debido a las siguientes condiciones:

- Frecuencia con la que se abre el aparato
- Carga de los alimentos
- Temperatura y humedad del entorno
- Presión del agua y estado del filtro de agua

**Nota:** Al abrir la puerta del aparato, se bloquea el dispensador de hielo y agua.

### Poner en funcionamiento el dispensador de hielo y agua

#### Notas

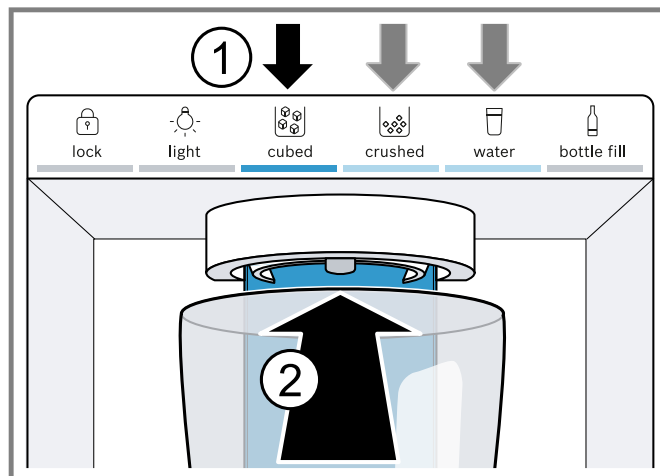
- La producción de cubitos de hielo se inicia en cuanto el aparato está encendido y el congelador alcanza la temperatura establecida.
- En cuanto el congelador haya alcanzado la temperatura establecida, se habrá finalizado la primera producción de cubitos de hielo al cabo de aproximadamente 4 horas.
- Tras conectar el aparato o insertar un nuevo filtro de agua, hay aire en el sistema de agua.

**Requisito:** El aparato está conectado a la toma de agua potable.

1. Dejar correr el agua hasta que no quede ninguna burbuja de aire.  
Eliminar las salpicaduras de agua con un paño seco.
2. Por motivos de higiene, extraer el agua durante cinco minutos y desecharla.
3. Por motivos de higiene, desechar los cubitos de hielo que se hayan producido en las primeras 24 horas.

### Extraer hielo o agua

- ▶ Presionar sobre la opción de selección deseada ① y presionar el vaso contra el interruptor de extracción ②.



**Consejo** Mantenga el vaso directamente bajo la apertura del dispensador.

#### Notas

- Al cabo de un cierto tiempo continuado de extracción, se interrumpe el dispensador de hielo y agua. Esperar un par de segundos para volver a dispensar hielo o agua.
- Después de varias extracciones sucesivas, el dispensador de hielo y agua se detiene. Esperar un par de minutos para volver a dispensar hielo o agua.
- Al cambiar de cubed a crushed, en la siguiente extracción pueden salir un par de cubitos de hielo.
- Al cambiar de crushed a cubed, en la siguiente extracción puede salir un poco de hielo triturado.

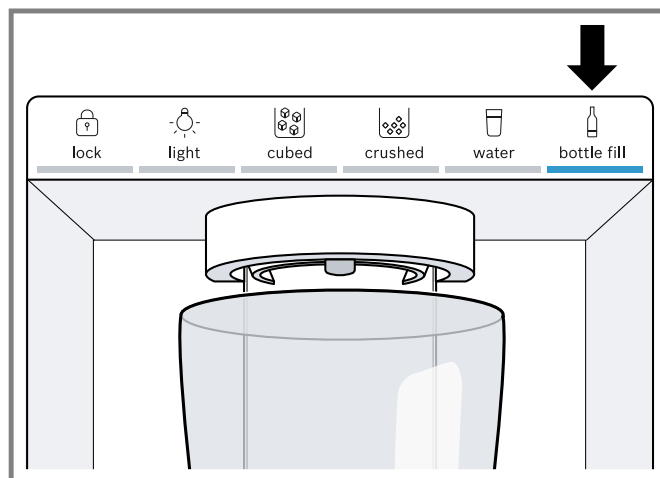
### Opción de llenado de botella

Puede dispensar una cantidad de agua determinada con la opción de llenado de botella.

**Nota:** La cantidad de agua determinada de fábrica es aprox. 0.5 litros (17 onzas líquidas).

### Extraer llenado de botellas

1. Presionar bottle fill.
2. Colocar una botella o una jarra debajo de la apertura del dispensador.
3. Presionar bottle fill.



- ✓ Se dispensa la cantidad determinada de agua.

**Recomendaciones**

- Para detener de manera anticipada la extracción, presionar cualquier campo táctil del panel de control (del dispensador de hielo y agua).
- Para iniciar de nuevo la extracción, presionar **bottle fill**.

**Nota:** Si durante un tiempo no se realiza ninguna extracción para llenado de botellas, cambiar la opción de selección a **Water**.

**Ajustar la cantidad de agua de la opción de llenado de botella**

**Nota:** El tiempo máximo de llenado es de 60 segundos.

1. Presionar **bottle fill**.
  2. Colocar una botella o una jarra debajo de la abertura del dispensador.
  3. Mantener presionada la tecla **bottle fill + crushed** simultáneamente hasta que se dispense la cantidad de agua deseada.  
La barra luminosa parpadeará mientras se está dispensando.
- ✓ La nueva cantidad de agua se guarda y se dispensa con la opción de llenado de botella.

**Bloqueo de las teclas (seguro para niños)**

El bloqueo de las teclas evita que el dispensador de hielo y agua se ponga en funcionamiento de forma involuntaria o incorrecta.

**Nota:** La producción de cubitos de hielo seguirá funcionando durante el bloqueo de las teclas.

**Activar el bloqueo de las teclas**

- ▶ Mantener presionada la tecla **lock** hasta que se ilumine completamente la barra luminosa.
- ✓ **lock** se ilumina.

**Desactivar el bloqueo de las teclas**

- ▶ Mantener presionada la tecla **lock** hasta que se ilumine completamente la barra luminosa.
- ✓ Se ilumina la última opción utilizada.

**Iluminación permanente**

En caso de no extraer cubitos de hielo o agua durante un tiempo, la iluminación se apaga.

Se puede activar de forma permanente la iluminación del dispensador de hielo y agua.

**Conectar la iluminación permanente**

- ▶ Presionar **light**.
- ✓ **light** se ilumina.

**Desconectar la iluminación permanente**

- ▶ Presionar **light**.
- ✓ **light** se apaga.

**Activar la producción de cubitos de hielo**

- ▶ Mantener presionado **lock + light** simultáneamente hasta que se ilumine completamente la barra luminosa.
- ✓ Se inicia la producción de cubitos de hielo y se ilumina la última opción utilizada.

**Desactivar la producción de cubitos de hielo**

- ▶ Mantener presionado **lock + light** simultáneamente hasta que se ilumine completamente la barra luminosa.
- ✓ El dispensador de hielo y la producción de cubitos de hielo se detienen.

---

**14 Descongelación****14.1 Desescarchar el compartimiento de refrigeración**

El compartimiento de refrigeración del aparato se desescarcha automáticamente.

**14.2 Descongelación dentro del congelador**

Gracias al sistema totalmente automático «NoFrost», no se genera escarcha en el congelador. No es necesario descongelarlo.

---

**15 Limpieza y cuidados**

Para que el aparato mantenga durante mucho tiempo su capacidad funcional, debe mantenerse y limpiarse con cuidado.

La limpieza en áreas inaccesibles tiene que realizarla el Servicio de Atención al Cliente. La limpieza por el Servicio de Atención al Cliente supone costos.

**15.1 Preparar el aparato para su limpieza**

1. Apagar el aparato. → *Página 69*
2. Desenchufar el aparato de la red eléctrica.  
Extraer el enchufe del cable de conexión de red o quitar el fusible de la caja de fusibles.
3. Retirar los alimentos y guardarlos en un lugar fresco.  
Colocar acumuladores de frío directamente sobre los alimentos, si se dispone de ellos.
4. Retirar todos los elementos adicionales y accesorios del aparato. → *Página 77*
5. Desmontar los carriles telescópicos. → *Página 79*
6. Desmontar la bandeja situada encima del cajón para fruta y verdura. → *Página 80*
7. Desmontar la bandeja encima del recipiente de almacenamiento. → *Página 80*
8. Desmontar la tapa del cajón para fruta y verdura. → *Página 80*

**15.2 Limpiar el aparato****⚠ ADVERTENCIA**

La penetración de humedad puede causar una descarga eléctrica.

- ▶ No utilizar limpiadores por chorro de vapor ni de alta presión para limpiar el aparato.

**AVISO:**

Los productos de limpieza inadecuados pueden dañar la superficie del aparato.

- ▶ No utilizar estropajos ni esponjas de fibra dura.

- ▶ No utilizar agentes agresivos ni abrasivos.
- ▶ No utilizar productos de limpieza con un alto contenido de alcohol.
- ▶ No utilizar limpiadores específicos para acero inoxidable en el exterior del aparato.

Si se lavan los elementos y accesorios del aparato en el lavavajillas, estos podrían deformarse o decolorarse.

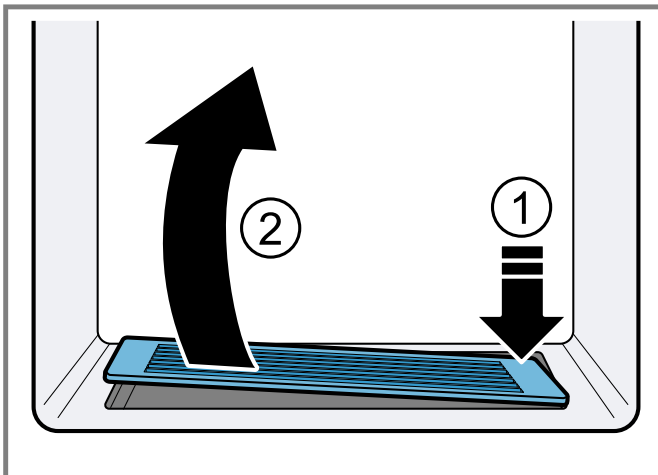
- ▶ No lavar nunca los elementos y accesorios del aparato en el lavavajillas.

1. Preparar el aparato para su limpieza. → *Página 76*
2. Limpiar las partes interior y exterior del aparato, los elementos adicionales, los accesorios, las piezas del aparato y las juntas de la puerta con un trapo, agua templada y un poco de jabón de pH neutro.
3. Secar completamente con un paño suave y seco.
4. Colocar los accesorios y montar las partes del aparato.
5. Conectar el aparato a la red eléctrica. → *Página 63*
6. Encender el aparato. → *Página 69*
7. Introducir alimentos.

### 15.3 Limpiar la bandeja de goteo

Comprobar con regularidad la bandeja de goteo para ver si hay agua derramada y limpiarla si fuera necesario.

1. Presionar hacia abajo la rejilla de goteo en la esquina superior derecha ① y retirarla ②.



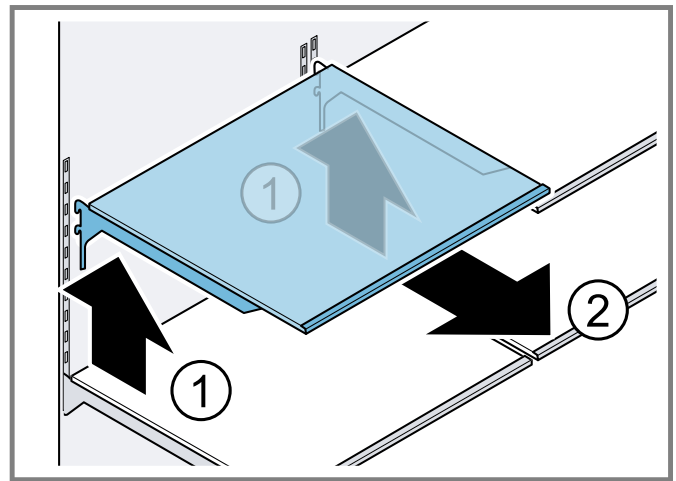
2. Limpiar la bandeja de goteo con una esponja o con un paño absorbente.

### 15.4 Retirar elementos del aparato

Si se desea limpiar a fondo los elementos del aparato, será necesario quitarlos.

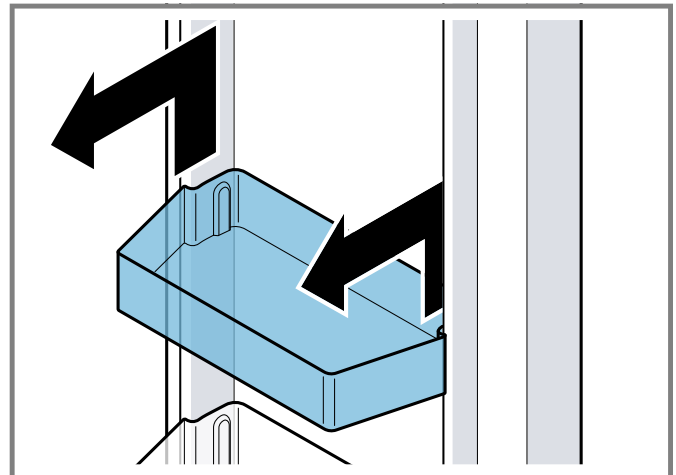
#### Retirar las bandejas

- ▶ Levantar ① la bandeja y extraerla ②.



#### Retirar el botellero de puerta

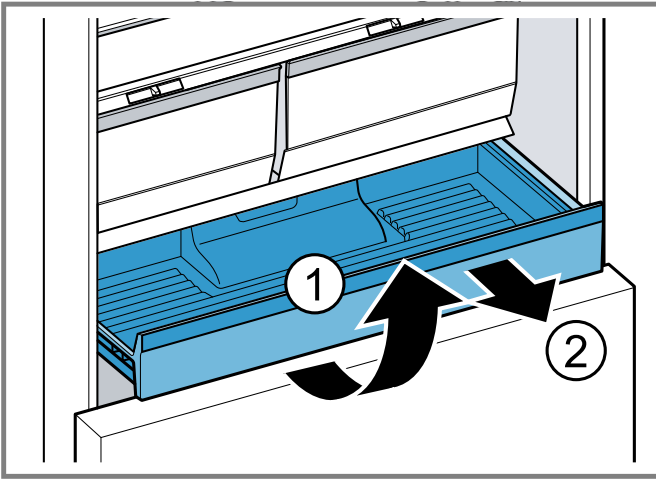
- ▶ Levantar y extraer el botellero.



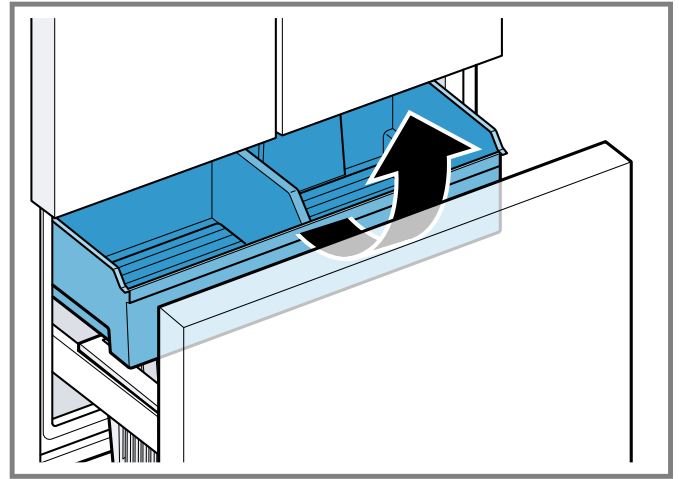
#### Retirar el recipiente de almacenamiento

1. Extraer el recipiente de almacenamiento hasta el tope.

2. Levantar el recipiente de almacenamiento por la parte delantera ① y retirarlo ②.

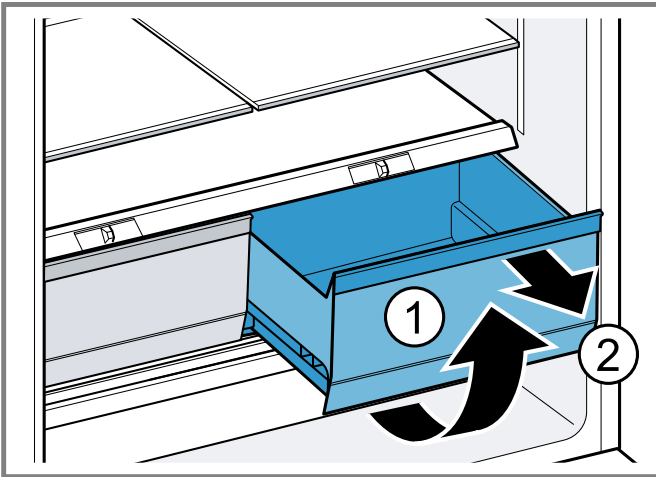


2. Levantar el cajón deslizante de productos congelados por delante y retirarlo.



### Retirar el cajón para fruta y verdura

1. Extraer el cajón para fruta y verdura hasta el tope.
2. Levantar ① el cajón para fruta y verdura por su parte delantera y retirarlo ②.



### Retirar el cajón deslizante de productos congelados

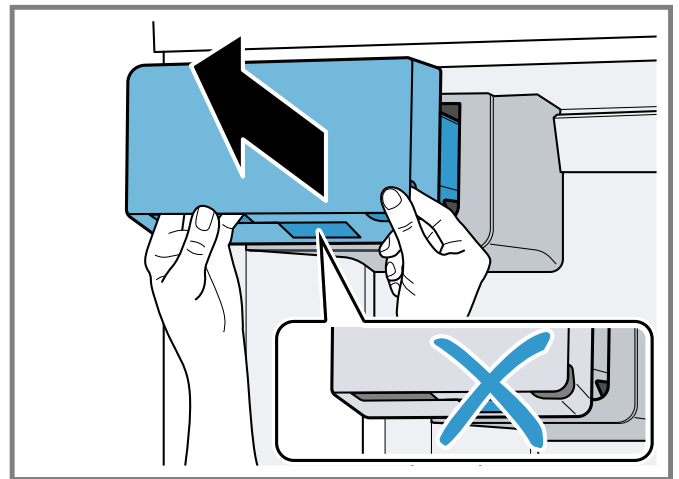
1. Extraer hasta el tope el cajón deslizante de productos congelados.

### Extraer el depósito para cubitos de hielo

#### ⚠ ADVERTENCIA

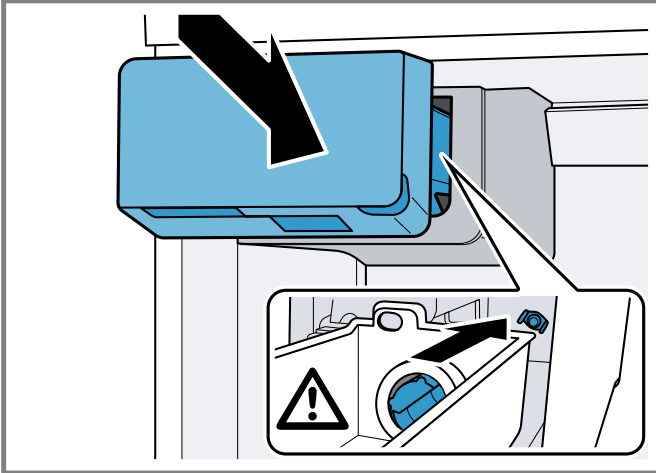
Si se introduce la mano en la abertura dispensadora del depósito para cubitos de hielo, se pueden producir lesiones por cortes.

- ▶ No introducir nunca las manos en la abertura dispensadora del depósito para cubitos de hielo.
- ▶ Agarrar las ranuras izquierda y derecha situadas debajo del depósito para los cubitos de hielo y extraerlo hacia adelante.



### Recomendaciones

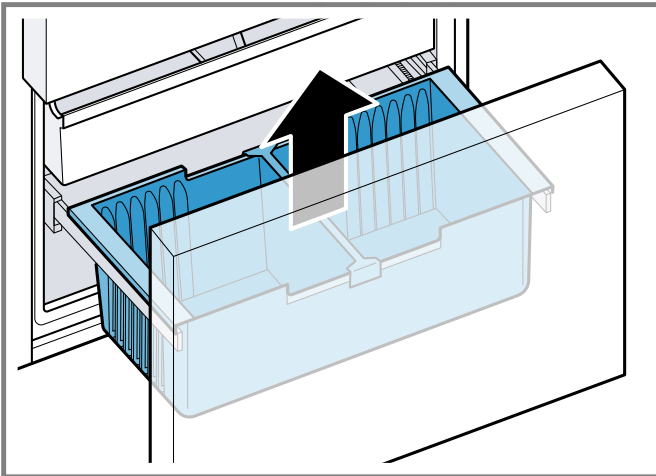
- Si no se puede volver a colocar el depósito para cubitos de hielo, girar la rosca de transporte del depósito para cubitos de hielo y volver a intentarlo.



- Si el depósito para cubitos de hielo se bloquea durante la colocación, retirar el exceso de cubitos de la abertura del depósito para cubitos de hielo.

### Retirar el recipiente suspendido para productos congelados

- ▶ Retirar hacia arriba el recipiente suspendido para productos congelados.



## 15.5 Desmontar los componentes del aparato

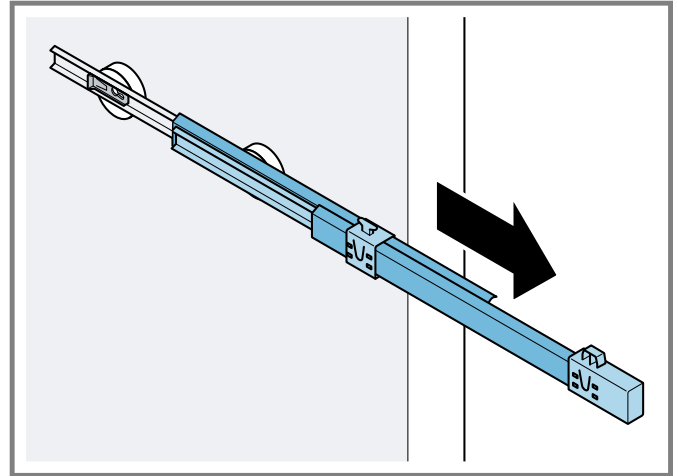
Si se desea limpiar el aparato a fondo, es posible desmontar algunos componentes del aparato.

### Raíles telescópicos

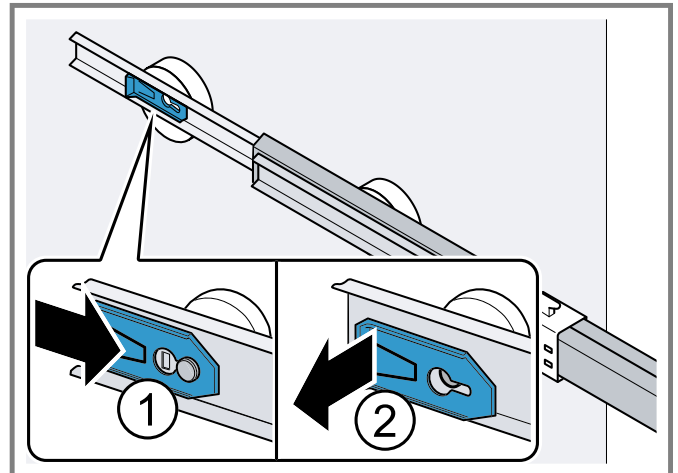
Para limpiar a fondo los raíles telescópicos, es posible desmontarlos.

### Desmontar los raíles telescópicos

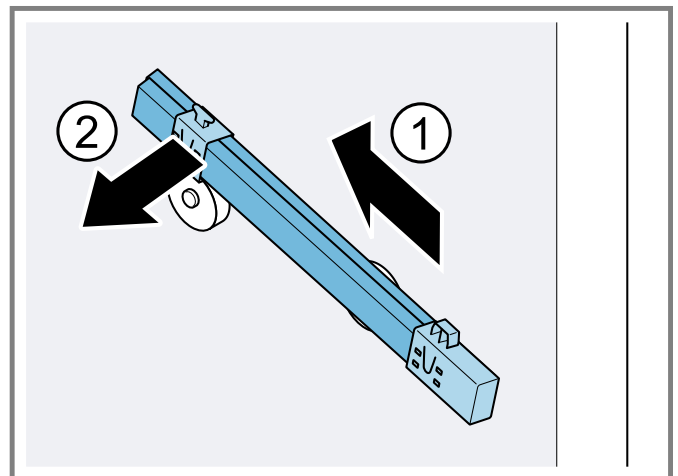
1. Extraer el raíl telescópico.



2. Desplazar el bloqueo en la dirección que marca la flecha ① y soltarlo del perno ②.

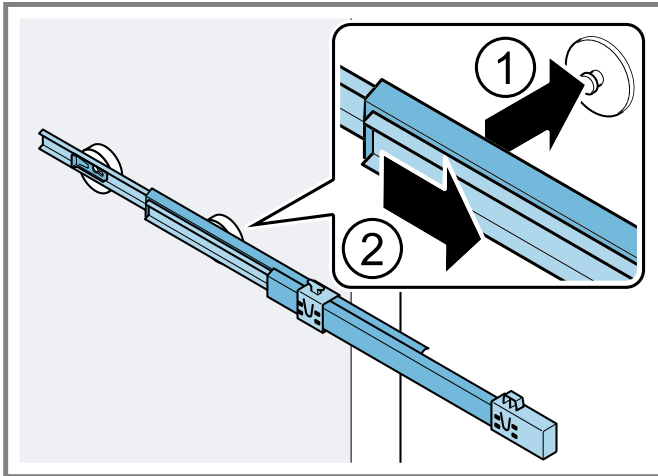


3. Replegar el raíl telescópico.
4. Desplazar el raíl telescópico hacia atrás por encima del perno posterior ① y desenclavarlo ②.

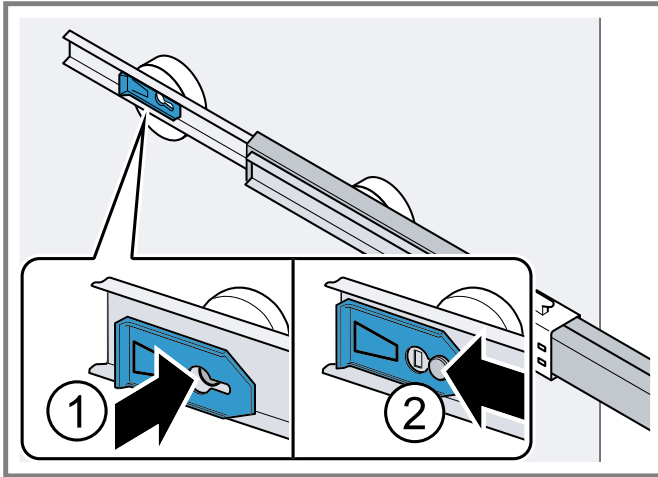


### Montar los raíles telescópicos

1. Montar el raíl telescópico en posición desplegada sobre el perno delantero ① y jalar ligeramente hacia delante para encajarlo ②.

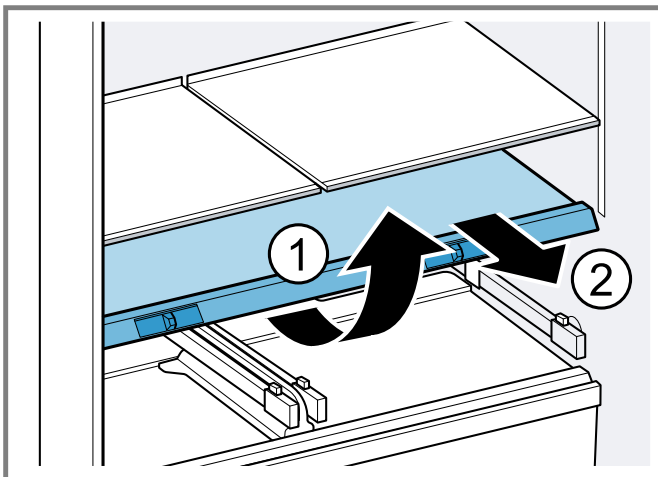


2. Montar el raíl telescópico en el perno posterior ① y desplazar el bloqueo hacia atrás ②.



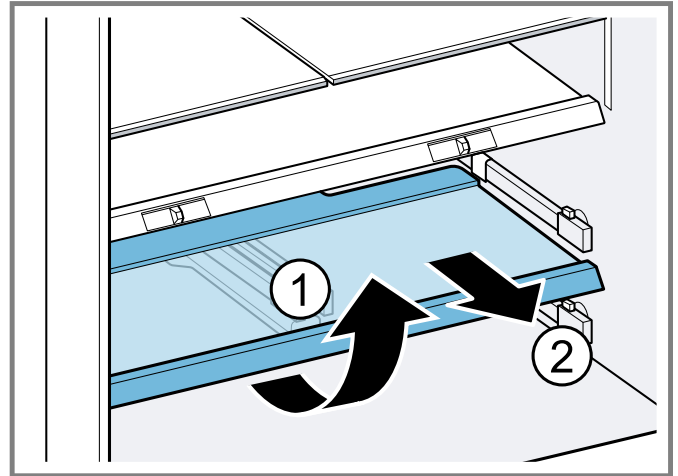
### Desmontar la bandeja encima del cajón para fruta y verdura

1. Extraer el cajón para fruta y verdura hasta el tope.
2. Levantar la bandeja encima del cajón para fruta y verdura por la parte delantera ① y retirarla ②.



### Desmontar la bandeja encima del recipiente de almacenamiento

1. Extraer el recipiente de almacenamiento hasta el tope.
2. Levantar la bandeja encima del recipiente de almacenamiento por la parte delantera ① y retirarla ②.

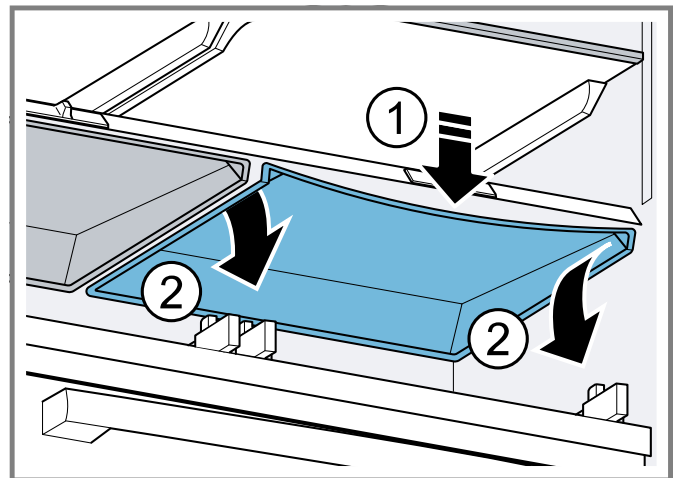


### Tapa del cajón para frutas y verduras

Se puede desmontar la tapa del cajón para frutas y verduras para limpiarla a fondo.

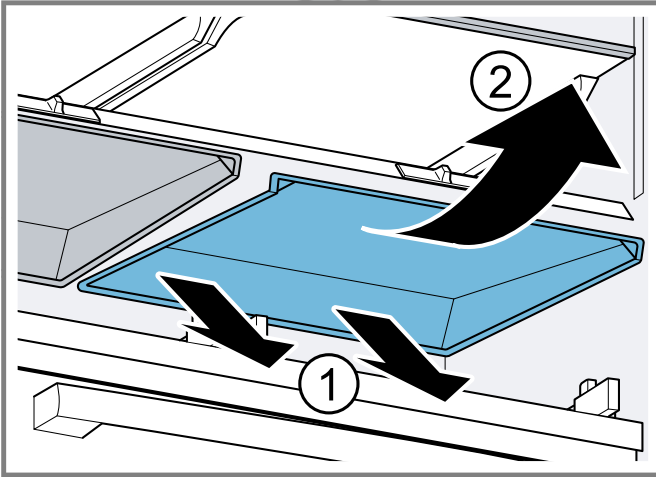
### Desmontar la tapa del cajón para frutas y verduras

1. Retirar el cajón para frutas y verduras. → *Página 78*
2. Doblar ligeramente hacia abajo la parte central de la tapa del cajón para frutas y verduras ①; entonces, desenganchar la parte delantera, primero por un lado y luego por el otro ②.



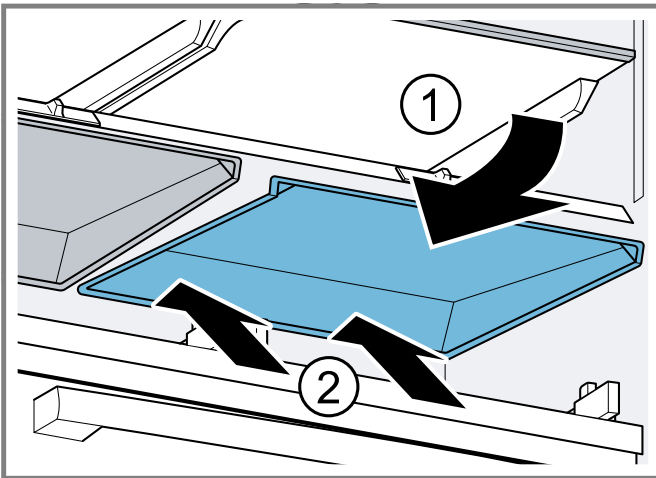


3. Desenganchar la parte trasera de la tapa del cajón para frutas y verduras ① y retirarla ②.

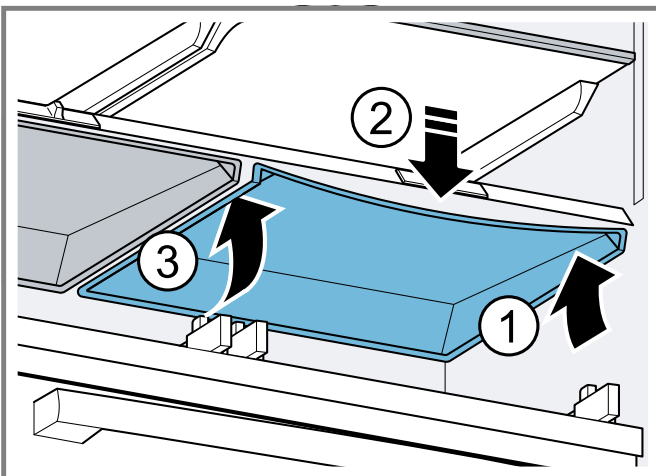


### Montar la tapa del cajón para frutas y verduras

1. Deslizar simétricamente la tapa del cajón para frutas y verduras hacia atrás ① y engancharla ②.



2. Enganchar uno de los lados delanteros de la tapa del cajón para frutas y verduras ①, doblar ligeramente hacia abajo por la parte central ② y enganchar el otro lado delantero ③.



Si la tapa del cajón para frutas y verduras sigue doblada, desplazar el regulador de humedad varias veces hasta que la tapa del cajón para frutas y verduras encaje en su sitio.

## 16 Solucionar pequeñas averías

Usted mismo puede solucionar los errores menores de su aparato. Lea la información acerca de cómo solucionar los errores antes de contactar con Atención al Cliente. Así podrá evitar costos de reparación innecesarios.

- ▶ Si el cable de conexión de red de este aparato resulta dañado, éste debe sustituirse por un cable de conexión especial que puede adquirirse directamente a través del fabricante o de su servicio de atención al cliente.

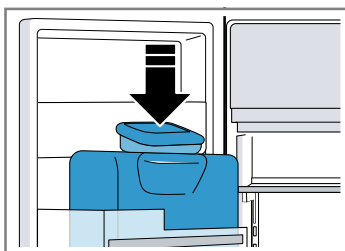
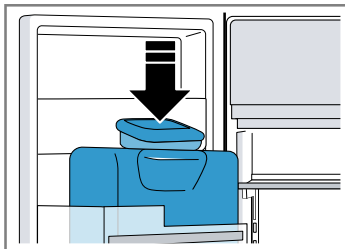
### ADVERTENCIA

Las reparaciones indebidas son peligrosas.

- ▶ Solo se pueden utilizar repuestos originales para reparar el aparato.

Falla	Causas y resolución de problemas
El aparato no enfría; los paneles indicadores y la iluminación interior se iluminan.	<p>El modo de exposición está activado.</p> <ol style="list-style-type: none"> <li>1. Mantener presionado alarm off durante 15 segundos hasta que suenen tres señales acústicas. <ul style="list-style-type: none"> <li>✓ La iluminación de los paneles de control y la iluminación interior se apagan brevemente.</li> <li>✓ alarm off parpadea y suena una señal acústica.</li> </ul> </li> <li>2. Presionar alarm off.</li> <li>3. Al cabo de un breve período de tiempo, cerciorarse de que el aparato enfría.</li> </ol>
La iluminación LED no funciona.	<p>Son posibles diferentes causas.</p> <ul style="list-style-type: none"> <li>▶ Ponerse en contacto con el Servicio de atención al cliente. → "Servicio de atención al cliente", Página 85</li> </ul>
Home Connect™ no funciona correctamente.	<p>Son posibles diferentes causas.</p> <ul style="list-style-type: none"> <li>▶ Acceder a <a href="http://www.home-connect.com">www.home-connect.com</a>.</li> </ul>
En el indicador de temperatura aparece E o d.	<p>El sistema electrónico ha detectado una falla.</p> <ol style="list-style-type: none"> <li>1. Apagar el aparato. → <i>Página 69</i></li> <li>2. Desconectar el aparato de la red eléctrica. Extraer el enchufe del cable de conexión de red o desconectar el fusible de la caja de fusibles.</li> <li>3. Volver a conectar el aparato tras cinco minutos.</li> <li>4. Encender el aparato. → <i>Página 69</i></li> <li>5. Si la indicación del panel indicador vuelve a aparecer, avisar al Servicio de atención al cliente. → "Servicio de atención al cliente", Página 85</li> </ol>
<p>Suena una señal acústica y alarm off parpadea.</p> <p>La alarma de la puerta está activada.</p>	<p>La puerta del aparato está abierta.</p> <ul style="list-style-type: none"> <li>▶ Cerrar la puerta del aparato.</li> </ul>
<p>Suena la señal acústica, parpadean el indicador de temperatura (congelador) y alarm off.</p> <p>La alarma de temperatura está activada.</p>	<p>Son posibles diferentes causas.</p> <ol style="list-style-type: none"> <li>1. Presionar alarm off. <ul style="list-style-type: none"> <li>✓ La alarma se desactiva.</li> </ul> </li> <li>2. Comprobar tras unas horas que el congelador ha vuelto a alcanzar la temperatura establecida.</li> </ol> <hr/> <p>Las aberturas de ventilación exteriores están cubiertas.</p> <ul style="list-style-type: none"> <li>▶ Se debe eliminar la causa de la obstrucción de las aberturas de ventilación exteriores.</li> </ul> <hr/> <p>Se han introducido grandes cantidades de alimentos frescos en el interior.</p> <ul style="list-style-type: none"> <li>▶ Activar Supercongelación antes de introducir una cantidad de alimentos grande. → "Activar Supercongelación", Página 69</li> </ul>
La temperatura difiere considerablemente del valor seleccionado.	<p>Son posibles diferentes causas.</p> <ol style="list-style-type: none"> <li>1. Apagar el aparato. → <i>Página 69</i></li> <li>2. Volver a encender el aparato tras unos 5 minutos. → <i>Página 69</i> <ul style="list-style-type: none"> <li>– Si la temperatura es demasiado alta, volver a comprobarla al cabo de unas pocas horas.</li> <li>– Si la temperatura es demasiado baja, volver a comprobarla al día siguiente.</li> </ul> </li> </ol>

Falla	Causas y resolución de problemas
Sale agua del aparato.	<p>La conexión o la manguera de alimentación de agua tiene fugas.</p> <ul style="list-style-type: none"> <li>▶ Comprobar que las conexiones a la toma de agua estén firmemente apretadas y la manguera de agua se encuentre en buen estado.</li> </ul> <p>En caso necesario, cambiar la manguera de agua.</p>
El dispensador de agua se reduce.	<p>La bandeja de goteo está rebosando.</p> <ul style="list-style-type: none"> <li>▶ Limpiar la bandeja de goteo. → <i>Página 77</i></li> </ul> <p>La presión del agua es demasiado baja.</p> <ul style="list-style-type: none"> <li>▶ Comprobar la presión de agua del dispositivo de suministro de agua o del sistema de filtro de agua exterior, p. ej., el sistema de ósmosis inversa.</li> </ul> <p>Conectar a una toma de agua con suficiente presión. → <i>Página 62</i></p>
El dispensador de hielo y agua gotea.	<p>El filtro de agua está obstruido.</p> <ul style="list-style-type: none"> <li>▶ Sustituir el filtro de agua. → <i>Página 74</i></li> </ul> <p>Hay aire en el sistema de agua.</p> <ul style="list-style-type: none"> <li>▶ Retirar el agua hasta que no quede aire.</li> </ul> <p>Los restos de hielo del conducto de hielo se están derritiendo.</p> <ul style="list-style-type: none"> <li>▶ Retirar los restos de hielo del conducto de hielo, p. ej., con una cuchara de madera.</li> </ul>
La producción de cubitos de hielo es baja.	<p>El aparato está conectado.</p> <ul style="list-style-type: none"> <li>▶ Esperar aprox. 4 horas hasta que finalice la primera producción de cubitos de hielo.</li> </ul> <p>El congelador se ha abierto con frecuencia o se ha mantenido abierto durante un periodo prolongado.</p> <ul style="list-style-type: none"> <li>▶ Comprobar la producción de cubitos de hielo tras unas horas.</li> </ul> <p>La presión del agua es demasiado baja.</p> <ul style="list-style-type: none"> <li>▶ Comprobar la presión de agua del dispositivo de suministro de agua o del sistema de filtro de agua exterior, p. ej., el sistema de ósmosis inversa.</li> </ul> <p>Conectar a una toma de agua con suficiente presión. → <i>Página 62</i></p> <p>El filtro de agua está obstruido.</p> <ul style="list-style-type: none"> <li>▶ Sustituir el filtro de agua. → <i>Página 74</i></li> </ul>
El dispensador de hielo y agua no funciona.	<p>La producción de cubitos de hielo está desactivada.</p> <ul style="list-style-type: none"> <li>▶ Activar la producción de cubitos de hielo. → <i>Página 76</i></li> </ul> <p>El bloqueo de las teclas (seguro para niños) está activado</p> <ul style="list-style-type: none"> <li>▶ Desactivar el bloqueo de las teclas. → <i>Página 76</i></li> </ul> <p>El depósito para cubitos de hielo no está bien colocado.</p> <ul style="list-style-type: none"> <li>▶ Colocar completamente el depósito para cubitos de hielo. → <i>Página 78</i></li> </ul> <p>Los cubitos de hielo están adheridos entre sí en el conducto de hielo.</p> <ul style="list-style-type: none"> <li>▶ Retirar los cubitos de hielo del conducto de hielo, p. ej., con una cuchara de madera.</li> </ul>



Falla	Causas y resolución de problemas
El dispensador de hielo y agua no funciona.	<p>La presión del agua es demasiado baja.</p> <ul style="list-style-type: none"> <li>▶ Comprobar la presión de agua del dispositivo de suministro de agua o del sistema de filtro de agua exterior, p. ej., el sistema de ósmosis inversa.</li> </ul> <p>Conectar a una toma de agua con suficiente presión. → <i>Página 62</i></p>
	<p>El filtro de agua está obstruido.</p> <ul style="list-style-type: none"> <li>▶ Sustituir el filtro de agua. → <i>Página 74</i></li> </ul>
	<p>No hay alimentación de agua.</p> <ul style="list-style-type: none"> <li>▶ Asegurarse de que haya alimentación de agua disponible y de que la válvula de cierre de la toma de agua esté abierta.</li> </ul> <p>En caso necesario, ponerse en contacto con un instalador.</p>
	<p>Hay una doblez en la manguera de agua.</p> <ul style="list-style-type: none"> <li>▶ Apagar el suministro de agua y rectificar la doblez de la manguera de agua.</li> </ul> <p>En caso necesario, cambiar la manguera de agua.</p>
	<p>Falla en el dispensador de hielo y agua.</p> <ol style="list-style-type: none"> <li>1. Apagar el aparato. → <i>Página 69</i></li> <li>2. Desconectar el aparato de la red eléctrica. Extraer el enchufe del cable de conexión de red o desconectar el fusible de la caja de fusibles.</li> <li>3. Volver a conectar el aparato tras cinco minutos.</li> <li>4. Encender el aparato. → <i>Página 69</i></li> <li>5. Si la falla persiste, avisar al Servicio de atención al cliente. → <i>Página 85</i></li> </ol>
El aparato suena, burbujea, traquetea o emite zumbidos, chasquidos, crujidos o ruidos de agua en movimiento.	<p>No se trata de una falla. Hay un motor en marcha (compresores, ventilador). Fluye refrigerante a través de los tubos. El motor, los interruptores, las electroválvulas o las válvulas de agua se conectan o desconectan. Se ejecuta el desescarchado automático. Los cubitos de hielo caen en el depósito para cubitos de hielo. No es necesario realizar ninguna acción.</p>
El aparato hace ruidos.	<p>El aparato está colocado en posición desnivelada.</p> <ul style="list-style-type: none"> <li>▶ Nivelar el aparato con la ayuda de un nivel de burbuja y de las patas atornilladas.</li> </ul> <p>El aparato no está libre.</p> <ul style="list-style-type: none"> <li>▶ Mantener las distancias mínimas del aparato.</li> </ul> <p>Los elementos del aparato se tambalean o se quedan atascados.</p> <ul style="list-style-type: none"> <li>▶ Comprobar los elementos extraíbles y, en caso necesario, volver a introducirlos.</li> </ul> <p>Las botellas o recipientes entran en contacto mutuo.</p> <ul style="list-style-type: none"> <li>▶ Separar las botellas o recipientes entre sí.</li> </ul> <p>La función Supercongelación está activada.</p> <p>No es necesario realizar ninguna acción.</p>

## 16.1 Interrupción del suministro eléctrico

Al producirse un corte en el suministro eléctrico, la temperatura del aparato aumenta, lo que reduce el tiempo de almacenamiento y afecta a la calidad de los productos congelados.

### Notas

- Durante el corte de suministro eléctrico, se recomienda abrir el aparato lo menos posible y no guardar nuevos alimentos.

- Al finalizar el corte de suministro eléctrico, es preciso comprobar la calidad de los alimentos.
  - Desechar los productos congelados que se hayan descongelado y estén a temperaturas superiores a los 41 °F (5 °C).
  - Los productos congelados que se hayan descongelado ligeramente se pueden cocinar o calentar ligeramente para su consumo; también es posible volver a congelarlos.

## 16.2 Ejecutar la autocomprobación del aparato

Su aparato dispone de una comprobación automática, que muestra averías que puede subsanar el Servicio de atención al cliente.

1. Apagar el aparato. → *Página 69*

2. Desenchufar el aparato de la red eléctrica.

Extraer el enchufe del cable de conexión de red o quitar el fusible de la caja de fusibles.

3. Transcurridos cinco minutos, volver a conectar el aparato a la red eléctrica. → *Página 63*
4. Encender el aparato. → *Página 69*
5. En los dos minutos siguientes después del encendido, mantener presionado menu durante 10 segundos hasta que suene una señal acústica.
  - ✓ Se inicia la autocomprobación del aparato.

- ✓ Durante la autocomprobación del aparato suena una larga señal acústica.
- ✓ Si, al finalizar la comprobación automática del aparato, suenan dos señales acústicas y aparece la temperatura ajustada en el indicador de temperatura, el aparato funciona correctamente. El aparato vuelve al modo de funcionamiento normal.
- ✓ Si, al finalizar la comprobación automática del aparato, suenan 5 señales acústicas y aparece **Er** en el indicador de ajustes del submenú, se deberá avisar al Servicio de atención al cliente.

## 17 Almacenamiento y eliminación

### 17.1 Interrumpir el funcionamiento del aparato

1. Apagar el aparato. → *Página 69*
2. Desenchufar el aparato de la red eléctrica.  
Extraer el enchufe del cable de conexión de red o quitar el fusible de la caja de fusibles.
3. Desconectar el aparato de la toma de agua.
4. Extraer todos los alimentos.
5. Desmontar el filtro de agua. → *Página 74*
6. Limpiar el aparato. → *Página 76*
7. **AVISO:** Los objetos atrapados entre la puerta y la carcasa pueden dañar la bisagra de la puerta.
  - ▶ Abrir la puerta hasta que se quede abierta por sí sola.
  - ▶ No introducir ningún objeto entre la puerta y la carcasa.

Para asegurar la ventilación del interior del aparato, dejar la puerta abierta.

### 17.2 Eliminación de los aparatos usados

Mediante una eliminación respetuosa con el medio ambiente se pueden reutilizar materias primas valiosas.

#### **ADVERTENCIA**

Los niños pueden quedar encerrados en el aparato y poner así en peligro su vida.

- ▶ Retirar las puertas y los cajones del aparato.
- ▶ Dejar las bandejas y recipientes dentro del aparato para dificultar que los niños puedan acceder al interior del mismo.
- ▶ Mantenga a los niños lejos de los aparatos usados.

#### **ADVERTENCIA**

Si las tuberías están dañadas, se puede escapar refrigerante inflamable y gases nocivos, lo que puede provocar un incendio.

- ▶ No dañe las tuberías del circuito de refrigeración y aislamiento.
1. Desenchufar el cable de conexión a la red de la toma de corriente.
  2. Separar el cable de conexión a la red.
  3. Desechar el aparato de manera respetuosa con el medio ambiente.  
Su distribuidor o el ayuntamiento local puede proporcionarle información sobre las vías y posibilidades actuales de desecho de materiales.

## 18 Servicio de atención al cliente

En cada reparación cubierta por la garantía, nos aseguramos de que su aparato sea reparado con repuestos originales por un proveedor de servicio capacitado y autorizado. Solo utilizamos repuestos originales para todos los tipos de reparaciones. Las informaciones detalladas sobre el periodo de validez de la garantía y las condiciones de garantía las podrá encontrar en nuestras condiciones de garantía, con su distribuido o en nuestra página web. Cuando se ponga en contacto con el servicio de atención al cliente, no olvide indicar el número de modelo (E-Nr.) y el número de fabricación (FD) de su aparato.

USA:

1-800-944-2904

[www.bosch-home.com/us/owner-support/get-support](http://www.bosch-home.com/us/owner-support/get-support)

[www.bosch-home.com/us/shop](http://www.bosch-home.com/us/shop)

CA:

1-800-944-2904

[www.bosch-home.ca/en/service/get-support](http://www.bosch-home.ca/en/service/get-support)

[www.bosch-home.ca/en/service/cleaners-and-accessories](http://www.bosch-home.ca/en/service/cleaners-and-accessories)

Aquí podrá encontrar ayuda para la conexión con Home Connect™:

[www.home-connect.com/us/en/help-support/set-up](http://www.home-connect.com/us/en/help-support/set-up)

### 18.1 Número de modelo (E-Nr.) y número de fabricación (FD)

El número de modelo (E-Nr.) y el número de fabricación (FD) se encuentran en la placa de características del aparato.

→ "Aparato", Fig. **1**/**8**, *Página 65*

Para volver a encontrar rápidamente los datos del aparato o el número de teléfono del servicio de atención al cliente, puede anotar dichos datos.

## 19 Datos técnicos

En la placa de características del aparato figuran el líquido refrigerante empleado, la capacidad útil y otras especificaciones técnicas.

→ "Aparato", Fig. **1**/**8**, *Página 65*







## Thank you for buying a Bosch Home Appliance!

Register your new device on MyBosch now and profit directly from:

- **Expert tips & tricks for your appliance**
- **Warranty extension options**
- **Discounts for accessories & spare-parts**
- **Digital manual and all appliance data at hand**
- **Easy access to Bosch Home Appliances Service**

Free and easy registration – also on mobile phones:  
[www.bosch-home.com/welcome](http://www.bosch-home.com/welcome)

**BOSCH**  
HOME APPLIANCES  
**SERVICE**

## Looking for help? You'll find it here.

Expert advice for your Bosch home appliances, help with problems or a repair from Bosch experts.

Find out everything about the many ways Bosch can support you:

[www.bosch-home.com/service](http://www.bosch-home.com/service)

Contact data of all countries are listed in the attached service directory.

### **BSH Home Appliances Corporation**

1901 Main Street, Suite 600

Irvine, CA 92614

USA

[www.bosch-home.com](http://www.bosch-home.com)

1-800-944-2904

© 2022 BSH Home Appliances Corporation



**9001602137** (020908)

en-us, fr-ca, es-mx