

# USE & CARE GUIDE

# MANUAL DE USO Y CUIDADO

# GUIDE D'UTILISATION ET D'ENTRETIEN

Model/Modelo/Modele

T24UR925DS

T24UR915DS

T24UR905DP

Double Drawer Refrigerator

Refrigerador de doble cajón

Réfrigérateur à double tiroir

***Thermador***<sup>®</sup>

# Table of Contents

## Welcome to Your THERMADOR Under-Counter Appliance

<b>Important Safety Instructions</b> .....	<b>4</b>	
- Definition		
- Before you switch ON the appliance		
- Technical safety		
- Important information when using the appliance		
- Children in the household		
- General regulations		
<b>Information concerning disposal</b> .....	<b>5</b>	
- Disposal of packaging		
- Disposal of your old appliance		
<b>Installing the appliance</b> .....	<b>5</b>	
- Transporting		
- Installation location		
<b>Ventilation</b> .....	<b>5</b>	
<b>Getting to know your appliance</b> .....	<b>6</b>	
<b>Getting started with your appliance</b> .....	<b>7</b>	
- Touch control		
- Setting the temperature .....		<b>8</b>
- Switching the appliance on		
<b>Refrigerator Drawers</b> .....	<b>8</b>	
<b>Toe-Kick</b> .....	<b>10</b>	
<b>Cleaning the appliance</b> .....	<b>10</b>	
- Cleaning behind the Toe-kick		
<b>Odors</b> .....	<b>11</b>	

<b>Light (LED)</b> .....	<b>11</b>
<b>Tips for saving energy</b> .....	<b>11</b>
<b>Operating noises</b> .....	<b>11</b>
- Normal noises	
- Preventing noises	
<b>Troubleshooting</b> .....	<b>12</b>

BSH Home Appliances Corporation  
1901 Main Street, Irvine, CA.

## Questions?

1-800-735-4328

[www.thermador.com](http://www.thermador.com)

**We look forward to hearing from you!**

# Welcome

## To Your Thermador® Under-counter Appliance

Thank you and congratulations on your recent THERMADOR purchase! Whether you are a dedicated chef or simply a connoisseur of the art of cooking, owning a THERMADOR kitchen is the ultimate expression of personal style, good taste, and an appreciation for the complete culinary experience. Our award-winning products have been empowering culinary enthusiasts for more than eleven decades.

Before you begin using your new THERMADOR product, please take a moment to review the Use and Care Guide. You will find the answers to all of your questions as well as some very important safety information. Pay special attention to the Important Safety Instructions located at the beginning of the manual.

Our products are handcrafted with the highest quality authentic materials to ensure reliable service. In the unlikely event that you have a service question, please have your model and serial numbers of your product available when calling for technical service. You can find this information in the name plate of the appliance located inside the cabinet, at the right side of the bottom compartment.

We realize that you have made a considerable investment in your kitchen and thank you again for choosing THERMADOR. Please feel free to share your kitchen photos and remodeling stories with us. Follow us on Twitter or post your kitchen photos to Facebook. We would love to hear from you!

## Important Safety Instructions

READ AND SAVE THESE INSTRUCTIONS!

### Definition



#### **WARNING:**

This indicates that death or serious injury may result due to non-observance of this warning.



#### **CAUTION:**

This indicates that minor or moderately severe injury may result due to non-observance of this warning.

#### **NOTE:**

This is used to draw the user's attention to something in particular.



**WARNING:** To reduce the risk of fire, electric shock, or injury when using your appliance, follow these basic precautions:

### Before you switch ON the appliance

Please read the operating and installation instructions carefully. They contain important information on how to install, use and maintain the appliance. Retain all documents for subsequent use or for the next owner.

### Technical safety

**If the power cord of this appliance is damaged, it must be replaced by an authorized servicer.** Improper installation and repairs may put the user at considerable risk. Repairs must be performed by an authorized servicer, to minimize the risk of ignition due to incorrect parts or improper service.

Only original parts supplied by the manufacturer should be used. Only original parts satisfy safety requirements.

The appliance comes with a UL registered 3-wire power cord. Never sever or remove the third (ground) conductor from the power cord.

The appliance requires a 3-pole socket. The socket should be connected by an electrician only. Where there is a 2-pole standard wall socket, it is the responsibility of the customer to have this socket replaced with a correctly grounded 3-pole wall socket. Do not use any adapter plugs. Do not use an extension cord.

### Important information when using the appliance

- Never use electrical appliances inside the appliance (e.g. heater, electric ice maker, etc.). **Risk of explosion!**
- Never use a steam cleaner to defrost or clean the appliance! The steam may penetrate electrical parts and cause a short-circuit. **Risk of electric shock!**
- Do not use pointed and sharp-edged implements to remove frost or layers of ice. You could damage sensitive internal components, including the refrigerant tubes. Leaking refrigerant may ignite or cause eye injuries.
- Do not use mechanical devices or other means to accelerate the defrosting process other than those recommended by the manufacturer.
- Do not store products which contain flammable propellants (e.g. spray cans) or explosive substances in the appliance. **Risk of explosion!**
- Do not stand on or lean heavily against the base of appliance, door, shelves etc.
- Switch the appliance off prior to cleaning.
- Bottles which contain a high percentage of alcohol must be sealed and stored in an upright position.
- Keep plastic parts and the refrigerator seal free of oil and grease. Otherwise, parts and the refrigerator seal will become porous.
- Never cover or block the ventilation openings for the appliance.

### Children in the household

- Keep children away from packaging and its parts. Danger of suffocation from folding cartons and cling wrap!
- Do not allow children to play with the appliance!
- Children should not be allowed to use the appliance unless supervised by an adult.

### General regulations

The appliance is designed exclusively for the storage of food and beverage.  
This appliance is intended for use in the home and the home environment.  
The refrigeration circuit has been checked for leaks.

### State of California Proposition 65 Warnings

This product may contain a chemical known to the State of California, which can cause cancer or reproductive harm. Therefore, the packaging of your product may bear the following label as required by California:

STATE OF CALIFORNIA PROPOSITION 65 WARNING: /  
AVERTISSEMENT ISSUÉ DE LA PROPOSITION 65  
DE L'ÉTAT DE LA CALIFORNIE:



## WARNING / AVERTISSEMENT

Cancer and Reproductive Harm / Cancer et dommages à la  
reproduction - [www.P65Warnings.ca.gov](http://www.P65Warnings.ca.gov).

### Information concerning disposal



#### Disposal of packaging

The packaging protects your appliance from damage during transit. All utilized materials are environmentally safe and recyclable. Please help us by disposing of the packaging in an environmentally friendly manner. Please ask your dealer or your local authority about current means of disposal.



#### Disposal of your old appliance

Old appliances are not worthless rubbish! Valuable raw materials can be reclaimed by recycling old appliances.



#### WARNING:

1. Pull out the power plug.
2. Cut off the power cord and discard with the power plug.
3. Remove the drawers from the appliance.
4. Do not allow children to play with the appliance once it has spent its useful life. Danger of suffocation!

Refrigerators contain refrigerant and gases in the insulation. Refrigerant and gases must be recycled by professionals. Ensure that tubing of the refrigerant circuit is not damaged prior to proper disposal.

### Installing the appliance

**For detailed installation instructions, please refer to the Installation Guide provided with the appliance.**

Have a qualified technician install and connect the appliance according to the enclosed installation instructions.

**NOTE:** For detailed installation instructions, relevant measurements and information, please, see the Installation Guide provided with this appliance.



#### WARNING:

Do not install this appliance:

- Outdoors
- In an environment with dripping water
- In rooms where there is a risk of frost

It is recommended that a separate circuit serving only your refrigerator be provided. Use an outlet that cannot be turned off by a switch. Do not use an extension cord.

### Transporting

The appliance is heavy and must be handled with caution during transportation and installation. Because of the weight and dimensions of the appliance, at least two persons are necessary to move the appliance into position securely and avoid injuries to people or damage to the appliance.



#### WARNING:

While handling or moving the appliance avoid any damaging to the tubing, risk of refrigerant leakage.

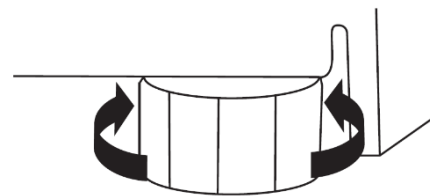
### Installation location

A dry, well ventilated room is suitable as an installation location. The installation location should not be exposed to direct sunlight and not placed near a heat source, e.g. a cooker, radiator, etc. If installation next to a heat source is unavoidable, use a suitable insulating plate or observe the following minimum distance from the heat source:

- To electric or gas cookers 1¼" (3 cm).
- To an oil or coal-fired cooker 11<sup>13</sup>/<sub>16</sub>" (30cm).

The floor of the installation location must not give way; if required, reinforce floor. The appliance must be upright and level to function correctly.

If the appliance seems unsteady there are 4 leveling legs that can be adjusted to your preference.



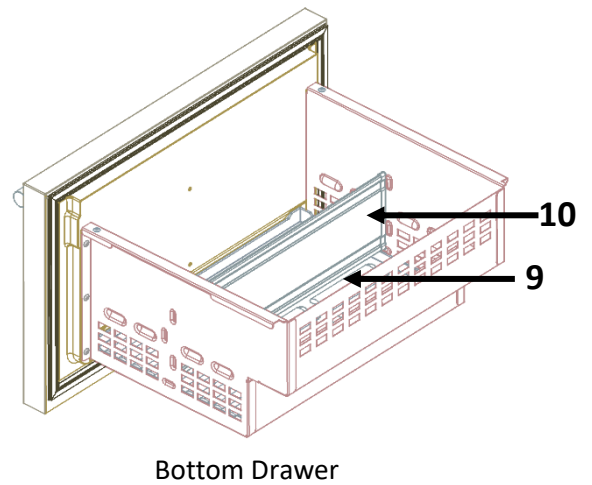
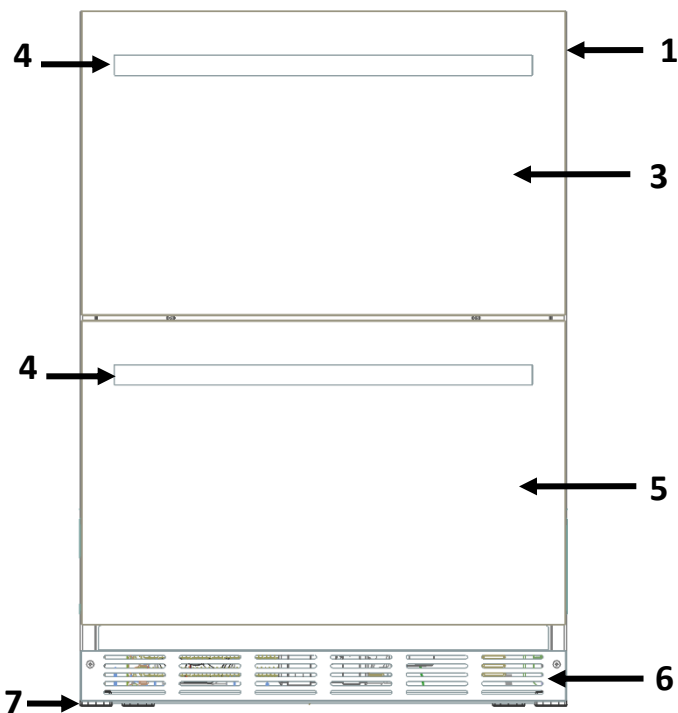
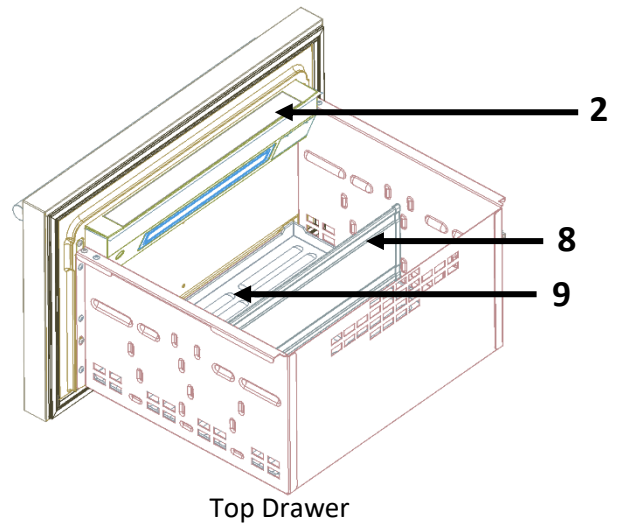
### Ventilation

The refrigeration unit is ventilated only at the Toe-Kick in the base. Never cover that area or place anything in front of it. Otherwise the refrigeration cooling performance will be affected and the unit must work harder increasing power consumption.

## Getting to know the appliance

THERMADOR under-counter Double Drawer Refrigerator units can be freestanding or built-in and are available in a number of configurations. These operating instructions refer to several models; the diagrams may differ.

1. Cabinet
2. Touch control (over Top Drawer)
3. Top Drawer
4. Handle ("Master"\* Style shown)
5. Bottom Drawer
6. Toe-Kick
7. Leveling legs
8. Aluminum divider (Upper)
9. Mat
10. Aluminum divider (Lower)



**NOTE:** Overlay model does not include the stainless door nor the handle.

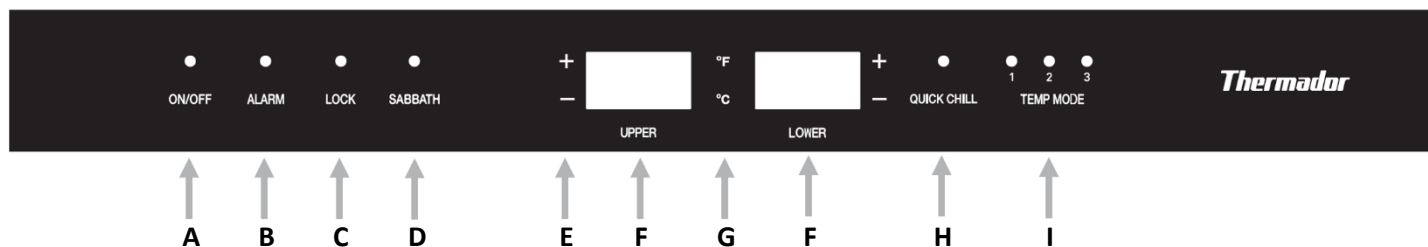
**NOTE:** The mats are not washable in dishwasher machine.

### **WARNING**

To avoid the appliance tilting due to unbalanced overweight do not pull out both drawers at the same time. Always close one of the drawers before you pull out the other one.

# Getting started with your appliance

## Touch control



### A. ON/OFF

The first time the appliance is plugged, it will automatically start and all functions will be enabled.

- **Press and hold** the ON/OFF for 3 seconds to enter off mode, which will disable the functions and stop all operations from the appliance.
- **Press and hold** the ON/OFF for 3 seconds to enable the functions and start the normal operation of the appliance.

### B. ALARM

When either drawer has been left open for 2 minutes or longer, an audible alarm sound is triggered in addition to a flashing blue LED indicator light above the ALARM button. Press the button once to temporarily disengage the ALARM, or close the open drawers.

- **Press and hold** ALARM for 3 seconds to disengage the door-open ALARM function entirely. The key-press will sound once, confirming the ALARM function has been disengaged.
- **Press and hold** ALARM for 3 seconds to reengage the door-open ALARM function.

**NOTE:** The ALARM function will not operate when the unit is in Sabbath mode. See the Sabbath Mode section on this same page.

### C. LOCK

- **Press and hold** the LOCK button for 3 seconds, LOCK LED will light up and all buttons will be blocked. To disengage, press and hold the LOCK button for 3 seconds or until LOCK LED light goes off.

### D. SABBATH

The Sabbath Mode is designed for those users whose religious observances requires the turning off of lights or for travelers who will be absent from home.

This appliance is certified by Star-K to meet strict religious regulations in conjunction with specific instructions found on [www.star-k.org](http://www.star-k.org).

When Sabbath mode is activated:

- The display panel will indicate the unit is in Sabbath mode.
- All other interior and exterior lights deactivate and cannot be engaged.
- All control buttons become inactive except the ON/OFF button.
- All audible and visual alarms become inactive.

Activating:

1. Press and hold Sabbath for 3 seconds to start the Sabbath mode.
2. The key-press will sound once and the Sabbath light will turn on and the display will show SAB for a few seconds.

The light will not turn off even if the door is closed as long as the unit remains in Sabbath mode.

Deactivating:

1. Press and hold Sabbath for 3 seconds.
2. All buttons, displays, lights and alarms will again become functional.

### E. TEMPERATURE SELECTION + / -

The temperature setting is adjusted using the selection buttons, see chapter “**Setting the temperature**” for details.

- **Press (-)** to lower the set temperature.
- **Press (+)** to raise the set temperature.

### F. DISPLAY PANELS

The set temperature of both refrigerator compartments, top and bottom, is shown in the display panel.

### G. °F / °C

- **Press and hold** the °F / °C button to switch between the degrees Fahrenheit and degrees Celsius for the temperature on the display.

The factory setting is degrees Fahrenheit. When changing to degrees Celsius (°C) the display will show °C until switched back. When switching back to degrees Fahrenheit (°F) the display will show °F.

## H. QUICK CHILL

The QUICK CHILL mode temperature is fixed to **33°F** (0°C).

This mode is useful for cooling down food or beverage products within a relatively short period of time.

**NOTE:** All other temperature setting buttons become **non-functional** when the unit is in the **QUICK CHILL** mode.

- **Activate the mode by pressing the QUICK CHILL button.**
- Deactivate by pressing the QUICK CHILL button again. The mode will also deactivate automatically after 24 hours.
- The temperature settings will return to what they were prior to entering QUICK CHILL mode.

## I. TEMP MODE

Press TEMP MODE to cycle through the 3 temperature levels, setting your appliance to the following:

Mode	TEMP MODE	Default temperature	Temperature range
Bar	1	<b>34°F</b> (1°C)	<b>33°F ~ 35°F</b> (0°C ~ 1°C)
Refrigerator	2	<b>37°F</b> (2°C)	<b>36°F ~ 40°F</b> (2°C ~ 4°C)
Pantry	3	<b>44°F</b> (6°C)	<b>41°F ~ 64°F</b> (5°C ~ 17°C)

The set points for each temperature mode apply for both drawers but the TEMP MODE LEDs on the display will only show the set TEMP MODE for the upper compartment. The temperature can be adjusted by using the temperature selection buttons independently from each other (See next section).

### Setting the temperature

By default, the temperature set in your Refrigerator is: **37°F** (2°C) for both drawers' compartments. You can adjust the temperature to your liking using the SELECTION BUTTONS or the TEMP MODE button.

To set a new temperature press the SELECTION BUTTONS: (-) or (+).

The temperature will increase or decrease by one degree every time the SELECTION BUTTON is pressed. The temperature can be displayed in degrees Celsius (°C) or degrees Fahrenheit (°F). The factory setting is degrees Fahrenheit (°F).

The appliance includes a lock system to prevent temperature loss on either of the compartment when the difference in temperature exceeds 10 degrees.

Once the temperature difference between the lower and upper compartment exceeds 10 degrees the temperature will increase or decrease in parallel.

Example 1: If the Upper temperature is set to 44° and the lower is at 34° if you increase the temperature on the upper compartment to 45° the lower temperature will automatically adjust to 35° in parallel.

Example 2: The upper compartment is set to 36° and the lower is at 46°, increasing the temperature on the lower compartment to 49° will adjust the temperature on the upper compartment to 39°.

### Switching the appliance on

The appliance begins to cool when plugged in.



#### WARNING:

Follow the instructions and recommendations in the **“Connecting the appliance”** section in the **Installation Guide** for a correct and safe use of your Double Drawer Refrigerator.

- The interior drawer light(s) turn on when either drawer is opened.

The unit is preset to the following factory recommended temperature settings: **37°F** (2°C).

## Refrigerator Drawers



#### WARNING:

To avoid risk of explosion, do not store explosive substances in the appliance.

#### When purchasing food, please note:

The “purchase freshness” is important for the shelf-life of your food. When buying food, always pay attention to the degree of freshness. Spoiled food or food close to the expiration date will decay faster even refrigerated and may contaminate the drawer with unpleasant odors.

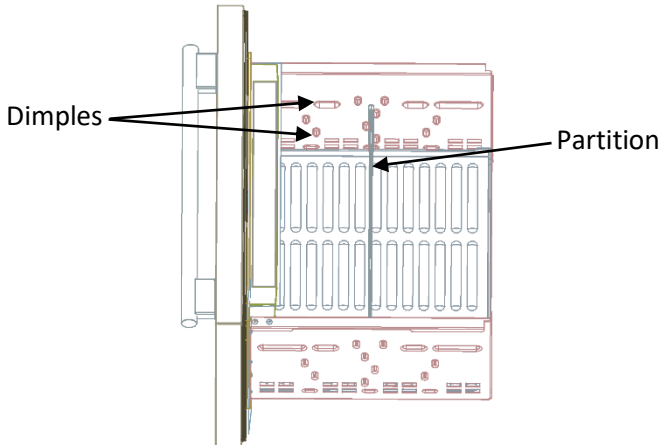
### Arranging food in the appliance

- Wrap or cover food before placing in the appliance. This will retain the aroma, color and freshness of the food. In addition, flavors will not be transferred between foods and the plastic parts will not become discolored.
- Allow warm food and drinks to cool down before placing in the appliance.
- Do not block air outlet/inlet openings with food in the refrigerator compartment, otherwise the air circulation will be impaired. Food which is stored directly in front of the air outlet openings may be frozen by the cold air flowing out.
- Avoid contact of oil and fat with the plastic parts and door seal.



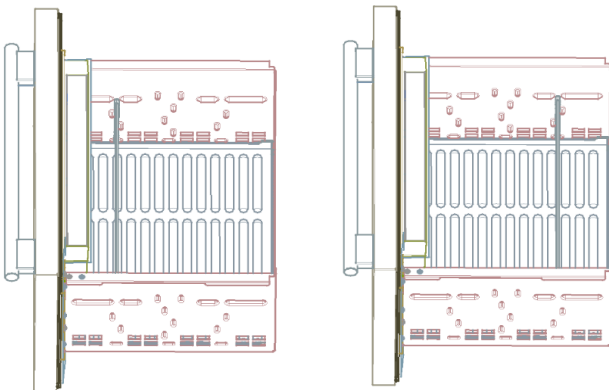
## Drawer partitions

The upper drawer has 1 **aluminum partition** which is removable, and can be placed in 3 different positions vertically and 2 different positions horizontally using the different dimples on the side of the drawers as shown in the pictures:



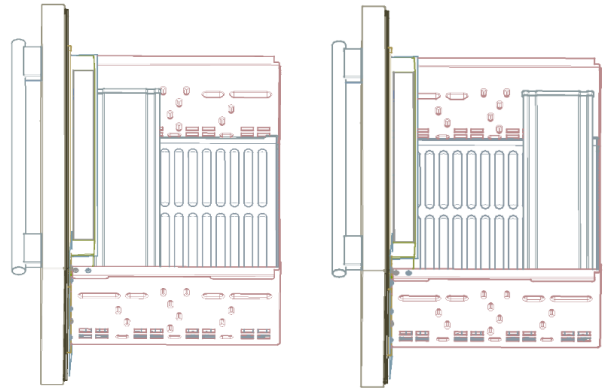
Partition vertical  
middle position

To change the position of the partition simply pull out the partition and slide into the dimples on the desired position.



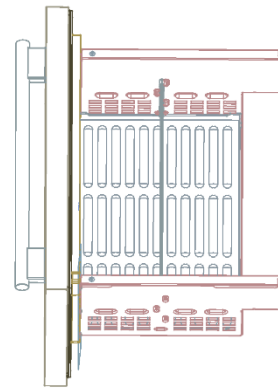
Partition vertical  
front & back position

To place horizontally slide out the partition and place on top of the dimples, this will allow you to have a second level of storage for easier access.

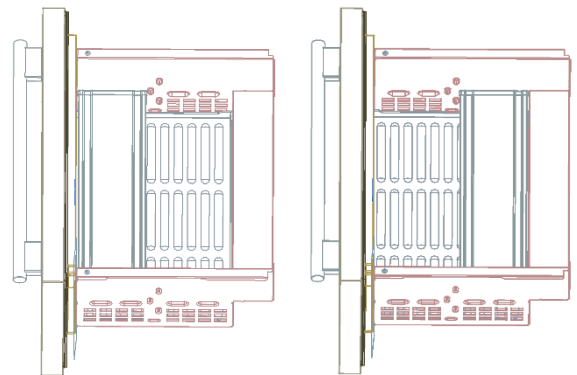


Partition horizontal  
front & back position

The lower drawer has 1 **aluminum partition** which is removable and can be changed from the vertical position to 2 different horizontal positions.



Partition vertical  
position



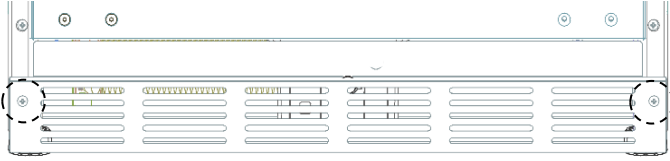
Partition horizontal  
front & back position

The partitions can be used to organize the contents of your refrigerator or provide a secondary surface to store and display items above the main storage space.

## Toe-Kick

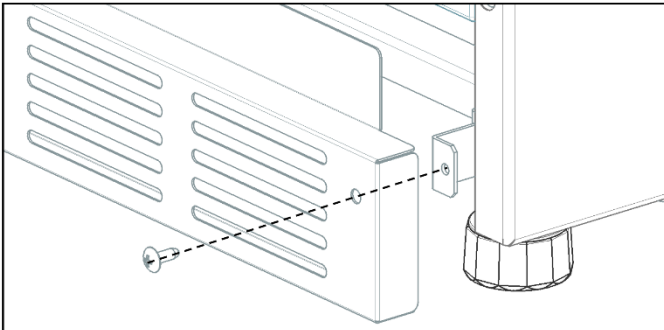
The Toe-Kick itself can be removed for service or cleaning (see “**Cleaning behind the Toe-Kick**” in the next section).

1. Remove the stainless steel Toe-Kick by unscrewing and removing the two front screws with a Philips screwdriver.



**Front screws**

2. You can remove the Toe-Kick by simply pulling it out.



3. To reattach the Toe-Kick, align the holes with the support tab and screw the frontal screws in the same position with a Philips screwdriver.

**NOTE:** Removal of the kickplate is not encouraged, but if necessary, it is recommended to be done by an authorized service personnel.

## Cleaning the appliance

**WARNING:**

**Never clean the appliance with a steam cleaner!**

**CAUTION:**

- Do not use abrasive or acidic cleaning agents and solvents.
- Do not use scouring or abrasive sponges. The metallic surfaces could corrode.
- Never clean the aluminum partitions in the dishwasher. The parts may be damaged.

### Proceed as follows:

1. Before cleaning: switch the appliance off. For instructions, see “**On/Off**” section on the “**Touch Control**” page.
2. Remove food and/or frozen food items and store in a cool location.
3. Clean the appliance with a soft cloth, lukewarm water and a little pH neutral detergent.

**CAUTION:**

When rinsing, water must not enter the interior drawer light recesses located on the upper side of both the top and bottom drawers. Water must also not spill out from the bottom of the cabinet.

4. Wipe the drawer seals with clear water only and then wipe dry thoroughly.
5. After cleaning switch the appliance back on.

### Cleaning behind the Toe-Kick

1. Before cleaning: switch the appliance off.
2. Remove the Toe-Kick. See “**Toe-Kick**” section on the previous page.
3. Use a vacuum cleaner with an extended attachment to clean the accessible areas when they are dusty or dirty.
4. Replace the Toe-Kick.
5. Switch the appliance on.

## Odors

If you experience unpleasant odors:

1. Switch the appliance off.
2. Take all food out of the appliance.
3. Clean the interior. See chapter “Cleaning the appliance”.
4. Clean all packages.
5. Seal strong smelling foods in order to avoid odors from forming.
6. Switch the appliance on again.
7. Store food in the appliance.
8. Check whether the formation of odors is still occurring after 24 hours.

## Light (LED)

Your appliance features a maintenance-free LED light located at the top of the interior cabinet and under the mullion. This light must be repaired by authorized technicians only.

## Tips for saving energy

- Install the appliance in a dry, well ventilated room. The appliance should not be installed in direct sunlight or near a heat source (e.g. radiator, cooker).

If required, use an insulating plate.

- Do not block the ventilation openings in the appliance.
- Allow warm food and drinks to cool down before placing in the appliance.
- Open the appliance drawers as briefly as possible.

## Operating noises

### Normal noises

**Droning:** Motors are running (e.g. refrigeration units, fan).

**Bubbling, humming or gurgling noises:** Refrigerant is flowing through the tubing.

**Clicking:** Motor, switches or solenoid valves are switching On/Off.

### Preventing noises

#### Be sure the appliance is leveled

Please align the appliance with a spirit level. Use the height-adjustable feet.

**Containers or storage areas wobble or stick:** Please check the removable parts (aluminum partitions, ice-bucket, etc.) and re-insert them correctly as needed.

#### Be sure bottles or containers are not touching each other.

Move the bottles or containers slightly away from each other.

## Troubleshooting

### Be sure to check these items first:

- Is there a power outage in the area?
- Is the household fuse blown or the circuit breaker tripped?
- Is the appliance properly connected to the electrical supply?

Many problems can be resolved without the need for a service call. See the following list as a reference of possible solutions of simple problems.

Symptom	Possible Cause	Potential Remedy
Appliance is not cooling.	Appliance has been switched off.	Check display to make sure the unit is not switched off. If display reads "OFF", Press and hold for 3 seconds the ON/OFF Button
The compressor is constantly running or running too much.	Appliance opened frequently.	Do not open the appliance unnecessarily.
	The ventilation openings have been covered.	Remove obstacles at the ventilation openings located at the base of the unit and in the refrigerator interiors.
	A large amount of product, or warm product was placed into the appliance.	The compressor will run more than normal until the product cools. The more that is added, the longer the motor will run.
	Excessively warm environment.	Avoid placing the unit in direct sunlight, or near a heat source. If the appliance is in an unusually warm environment, the compressor will run more.
	Drawers gasket is not sealing.	Inspect the condition of the gasket. If damaged, cold air can escape the cabinet and cause the compressor to run more than normal.
Food products and beverages in the unit are too cold.	Temperature has been set too low.	Increase the temperature. See "Setting the temperature". Make sure the unit is not in "Quick Chill" mode.
	Product placed too close to ventilation holes.	Rearrange the products, so that nothing obstructs the interior ventilation holes.
The interior light (LED) does not work.	The unit is set to Sabbath mode.	Disengage Sabbath mode. See "Getting started with your appliance" section.
There are unpleasant odors coming from the appliance.	Strong smelling food is not sealed.	Clean the appliance. Seal strong smelling food (See chapter "Odors").

The divider between the upper and lower drawers feels warm.	Normal operation, as part of the moisture control system for the exterior of the unit.	No action required.
Hi-alarm is activated (due to high temperature inside the appliance), HI is shown on the display LED.	Appliance opened frequently.	Do not open the appliance unnecessarily. Press alarm once to deactivate.
	The ventilation openings have been covered.	Remove obstacles at the ventilation openings located at the base of the unit and in the refrigerator interiors. Press alarm once to deactivate.
	A large amount of product, or warm product was placed into the appliance.	Wait until the products cool off or remove the warm products from the appliance, then press alarm once to deactivate.
	Excessively warm environment.	Avoid placing the unit in direct sunlight, or near a heat source. Press alarm once to deactivate
	Drawers gasket is not sealing.	Inspect the condition of the gasket. If damaged, cold air can escape the cabinet and cause the temperature to rise. Press alarm once to deactivate.

### Data Rating Label

The data rating label shows the model and serial number of your appliance. It is located at the right side of the bottom compartment.

### Service Information

For handy reference, copy the information in the form below from the data rating label located at the right side of the bottom compartment. Keep your invoice for Warranty validation.

Model Number \_\_\_\_\_

Serial Number \_\_\_\_\_

Date of Purchase \_\_\_\_\_

Dealer's Name \_\_\_\_\_

Dealer's Phone Number \_\_\_\_\_

Service Center's Name \_\_\_\_\_

Service Center's Phone Number \_\_\_\_\_

# Índice

## Bienvenido a su electrodoméstico para bajoencimera de THERMADOR

### Instrucciones importantes de seguridad ... 16

- Definición
- Antes de encender el electrodoméstico
- Seguridad técnica
- Información importante para la utilización del electrodoméstico
- Niños en la vivienda
- Regulaciones generales

### Información sobre el desecho ..... 17

- Desecho de embalaje
- Desecho de su electrodoméstico anterior

### Instalación del electrodoméstico ..... 17

- Transporte
- Ubicación de la instalación

### Ventilación ..... 17

### Introducción a su electrodoméstico ..... 18

### Primeros pasos con su electrodoméstico ... 19

- Control táctil
- Ajuste de la temperatura
- Encendido del electrodoméstico
- Funciones especiales:
  - Modo Sabbath
  - Modo Apagado
  - Pantalla en Fahrenheit/Celsius

### Cajones del refrigerador ..... 21

### Cubierta inferior ..... 22

### Limpieza del electrodoméstico ..... 22

- Limpieza detrás de la cubierta inferior

### Olores ..... 23

### Luz (LED) ..... 23

### Consejos para ahorrar energía ..... 23

### Ruidos de funcionamiento ..... 23

- Ruidos normales
- Prevención de ruidos

### Resolución de problemas ..... 24

BSH Home Appliances Corporation  
1901 Main Street, Irvine, CA.

## ¿Tiene preguntas?

1-800-735-4328

[www.thermador.com](http://www.thermador.com)

**¡Nos encantaría tener noticias tuyas!**

# Bienvenido

## a su electrodoméstico para bajoencimera de Thermador®

¡Gracias y felicitaciones por su reciente compra de un producto THERMADOR! Ya sea un chef dedicado o simplemente un conocedor del arte culinario, poseer una cocina THERMADOR es la máxima expresión de estilo personal, buen gusto y apreciación por la experiencia culinaria completa. Nuestros productos galardonados han empoderado a los entusiastas culinarios durante más de once décadas.

Antes de que comience a utilizar su nuevo producto THERMADOR, tómese un momento para revisar el Manual de uso y cuidado. Encontrará las respuestas para todas sus preguntas, además de información de seguridad muy importante. Preste especial atención a las Instrucciones importantes de seguridad que se encuentran al comienzo de este manual.


Nuestros productos están hechos a mano con materiales auténticos de la más alta calidad para garantizar un servicio confiable. En el caso poco probable de que tenga una pregunta sobre servicio, tenga a mano los números de modelo y de serie de su producto cuando llame para recibir asistencia técnica. Puede encontrar esta información en la placa de identificación del electrodoméstico en el interior del gabinete, en el lado derecho del compartimiento inferior.


Entendemos que ha realizado una inversión considerable en su cocina y le agradecemos una vez más por elegir THERMADOR. No dude en compartir fotografías de su cocina e historias de remodelación con nosotros. Síguenos en Twitter o publique las fotografías de su cocina en Facebook. ¡Nos encantaría tener noticias tuyas!

## Instrucciones importantes de seguridad


¡LEA Y GUARDE ESTAS INSTRUCCIONES!

### Definición

 **ADVERTENCIA:**  
Esto indica que se podrían producir muertes o lesiones graves por no respetar esta advertencia.

 **PRECAUCIÓN:**  
Esto indica que se podrían producir lesiones menores o moderadamente graves por no respetar esta advertencia.

**NOTA:**  
Se utiliza para dirigir la atención del usuario a algo en particular.

 **ADVERTENCIA:** Para reducir el riesgo de incendios, descargas eléctricas o lesiones producto de la utilización de su electrodoméstico, siga estas precauciones básicas:

### Antes de encender el electrodoméstico

Lea las instrucciones de funcionamiento e instalación con detenimiento. Contienen información importante sobre cómo instalar, usar y mantener el electrodoméstico. Conserve todos los documentos para utilizarlos con posterioridad o para el próximo propietario.

### Seguridad técnica

Si el cable de alimentación de este electrodoméstico está dañado, debe ser reemplazado por un centro de servicio autorizado. Las instalaciones y reparaciones inadecuadas pueden poner al usuario en considerable riesgo. Las reparaciones deben ser realizadas por un centro de servicio autorizado.

Solo se deben utilizar las piezas originales suministradas por el fabricante. Solo las piezas originales cumplen con los requisitos de seguridad.

El electrodoméstico viene con un cable de alimentación de 3 hilos registrado en UL. Nunca corte ni retire el tercer conductor (de conexión a tierra) del cable de alimentación.

El electrodoméstico requiere una toma de corriente de 3 polos. La toma de corriente solo debe ser conectada por un electricista. Donde haya una toma de corriente de pared estándar de 2 polos, es responsabilidad del cliente reemplazar esta toma con una toma de pared de 3 polos correctamente conectada a tierra. No utilice enchufes adaptadores. No utilice extensiones.

### Información importante para la utilización del electrodoméstico

- Nunca utilice dispositivos eléctricos dentro del electrodoméstico (p. ej., calentador, máquina de hielo eléctrica, etc.). **¡Riesgo de explosión!**
- ¡Nunca utilice un limpiador de vapor para descongelar o limpiar el electrodoméstico! El vapor podría penetrar las piezas eléctricas y provocar un cortocircuito. **¡Riesgo de descarga eléctrica!**
- No utilice elementos con puntas o bordes afilados para retirar la escarcha o las capas de hielo. Podría dañar componentes internos sensibles, incluidos los tubos de refrigerante. La pérdida de refrigerante podría encenderse o provocar lesiones en los ojos.
- No utilice aparatos mecánicos o algún otro medio para acelerar el proceso de descongelamiento además de lo recomendado por el fabricante.
- No almacene productos que contengan propulsores inflamables (p. ej., latas de aerosol) o sustancias explosivas en el electrodoméstico. **¡Riesgo de explosión!**
- No se pare ni apoye sobre la base del electrodoméstico, la puerta, los estantes, etc.
- Apague el electrodoméstico antes de limpiarlo.
- Las botellas que contienen un alto porcentaje de alcohol deben sellarse y estar en posición vertical.
- Mantenga las piezas plásticas y el sello del refrigerador libres de aceite y grasa. De lo contrario, las piezas y el sello del refrigerador se volverán porosos.
- Nunca cubra ni bloquee las aperturas de ventilación del electrodoméstico.

### Niños en la vivienda

- Mantenga a los niños alejados del embalaje y sus piezas. ¡Peligro de asfixia con los cartones plegables y el envoltorio de plástico!
- ¡No permita que los niños jueguen con el electrodoméstico!
- No se debe permitir a los niños que utilicen el electrodoméstico, a menos que estén supervisados por un adulto.

### Regulaciones generales

Este electrodoméstico está diseñado exclusivamente para el almacenamiento de comida y bebidas. Este electrodoméstico está diseñado para ser utilizado en el hogar y el entorno doméstico. Se ha revisado el circuito de refrigeración en busca de fugas.

### ADVERTENCIAS DE LA PROPUESTA 65 DEL ESTADO DE CALIFORNIA

Este producto puede contener un químico conocido por el estado de California, que puede causar cáncer o problemas reproductivos. Por lo tanto, el empaque de su producto puede incluir esta etiqueta requerida por el estado de California:



STATE OF CALIFORNIA PROPOSITION 65 WARNING: /  
AVERTISSEMENT ISSUE DE LA PROPOSITION 65  
DE L'ÉTAT DE LA CALIFORNIE:



**WARNING /  
AVERTISSEMENT**

Cancer and Reproductive Harm / Cancer et dommages à la  
reproduction - [www.P65Warnings.ca.gov](http://www.P65Warnings.ca.gov).

## Información sobre el desecho



### Desecho de embalaje

El embalaje protege a su electrodoméstico contra daños durante el transporte. Todos los materiales utilizados son seguros para el medioambiente y reciclables. Ayúdenos desechando el embalaje de manera respetuosa con el medioambiente. Pregúntele a su distribuidor o autoridad local sobre los medios actuales de desecho.



### Desecho de su electrodoméstico anterior

¡Los electrodomésticos viejos no son basura sin valor! Al reciclar los electrodomésticos viejos se pueden recuperar materias primas valiosas.



### ADVERTENCIA:

1. Desconecte el cable de alimentación.
2. Corte el cable de alimentación y deséchelo junto con el enchufe de alimentación.
3. Retire la puerta del electrodoméstico.
4. No permita que los niños jueguen con el electrodoméstico una vez que haya caducado su vida útil. ¡Peligro de asfixia!

Los refrigeradores contienen refrigerante y gases en la aislación. El refrigerante y los gases deben ser reciclados por profesionales. Asegúrese de que la tubería del circuito del refrigerante no esté dañada antes de desecharla correctamente.

## Instalación del electrodoméstico

**Para obtener instrucciones de instalación detalladas, consulte la Guía de instalación proporcionada con el electrodoméstico.**

Solicite a un técnico calificado que instale y conecte el electrodoméstico según las instrucciones de instalación adjuntas.

**NOTA:** Para obtener instrucciones de instalación detalladas, mediciones relevantes e información, consulte la Guía de instalación proporcionada con este electrodoméstico.



### ADVERTENCIA:

No instale este electrodoméstico:

- Al aire libre.
- En un entorno donde gotee agua.
- En habitaciones donde haya riesgo de congelamiento.

Se recomienda utilizar un circuito aislado para uso único de su refrigerador. Utilice un toma de corriente que no pueda ser apagado por un interruptor. No utilice una extensión.

## Transporte

El electrodoméstico es pesado y debe manipularse con cuidado durante el transporte y la instalación. Debido al peso y a las dimensiones del electrodoméstico, se necesitan, como mínimo, dos personas para moverlo hasta su lugar de manera segura y evitar lesiones en las personas o daños en el electrodoméstico.



### ADVERTENCIA:

Evite cualquier daño a tuberías durante el manejo o reubicación de la unidad, riesgo de fuga de refrigerante.

## Ubicación de la instalación

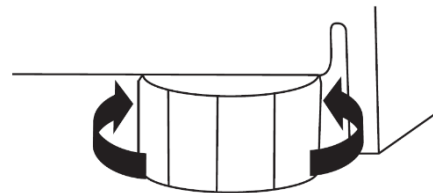
Una habitación seca y bien ventilada es una ubicación de instalación adecuada. La ubicación de la instalación no debe estar expuesta a luz solar directa y no debe encontrarse cerca de una fuente de calor; p. ej., una cocina, un radiador, etc.

Si resulta inevitable instalarlo junto a una fuente de calor, utilice una placa aislante adecuada o respete la distancia mínima desde la fuente de calor que se indica a continuación:

- Hasta hornillas eléctricas o a gas, 1¼" (3 cm).
- Hasta una cocina alimentada con combustible o carbón, 11 13/16" (30 cm).

El piso de la ubicación de la instalación no debe hundirse; de ser necesario, refuerce el piso. El electrodoméstico debe estar en posición vertical y a nivel a fin de funcionar correctamente.

Si el electrodoméstico parece inestable hay cuatro patas en la parte inferior que pueden ser ajustadas a su preferencia.



## Ventilación

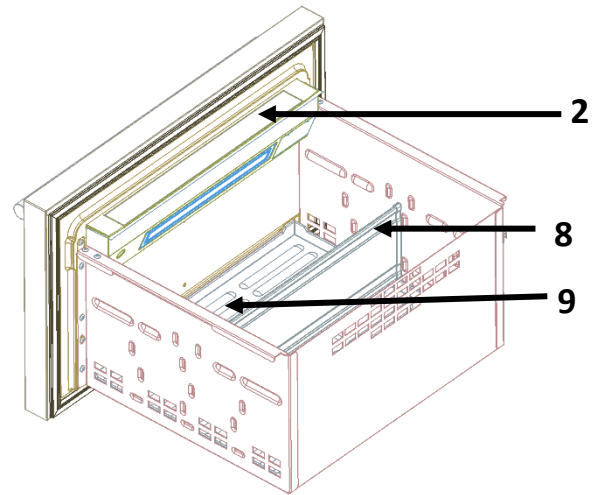
La unidad de refrigeración solo se ventila por la cubierta inferior de la base. Nunca cubra dicha área ni coloque nada frente a ella. De lo contrario, el rendimiento de enfriamiento se verá afectado y la unidad deberá trabajar más, lo que aumentará el consumo de energía.

## Introducción a su electrodoméstico

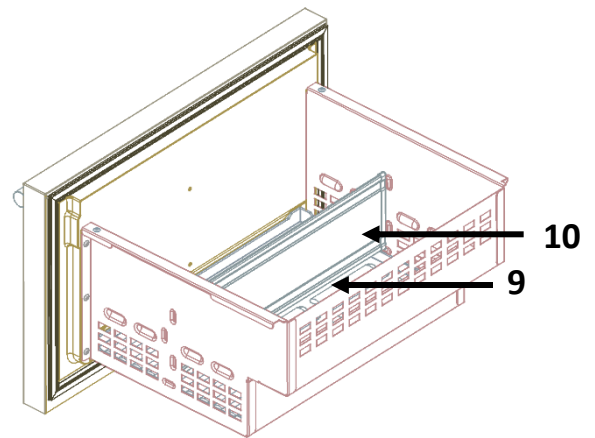
El refrigerador con doble cajón para bajoencimera de THERMADOR puede ser independiente o empotrado y está disponible en varias configuraciones.

Estas instrucciones de funcionamiento se aplican a varios modelos; los diagramas pueden variar.

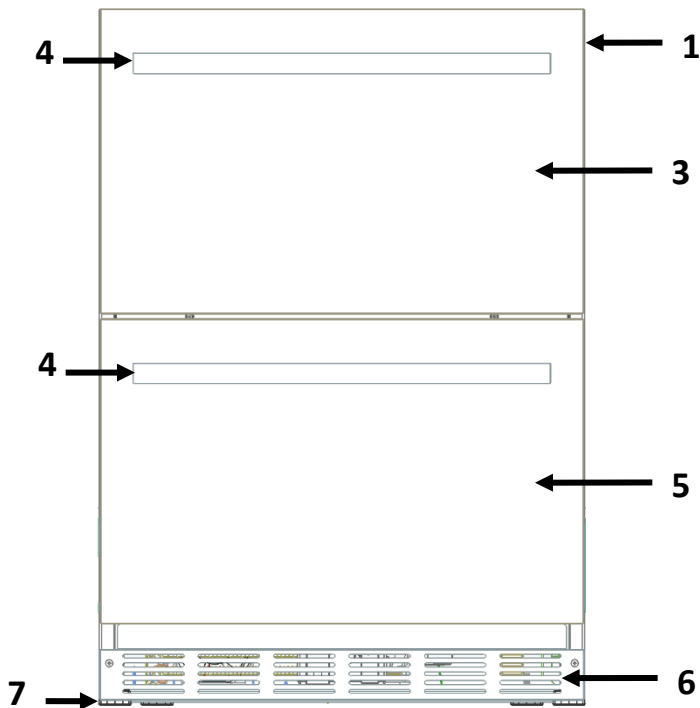
1. Gabinete
2. Control táctil (sobre el cajón superior)
3. Cajón superior
4. Manija (Se muestra el estilo "Professional"\*)
5. Cajón inferior
6. Cubierta inferior
7. Patas niveladoras
8. Separador de aluminio (largo)
9. Tapete
10. Separador de aluminio (corto)



Cajón superior



Cajón inferior



**NOTA:** El modelo con revestimiento no incluye la puerta de acero inoxidable ni la manija.

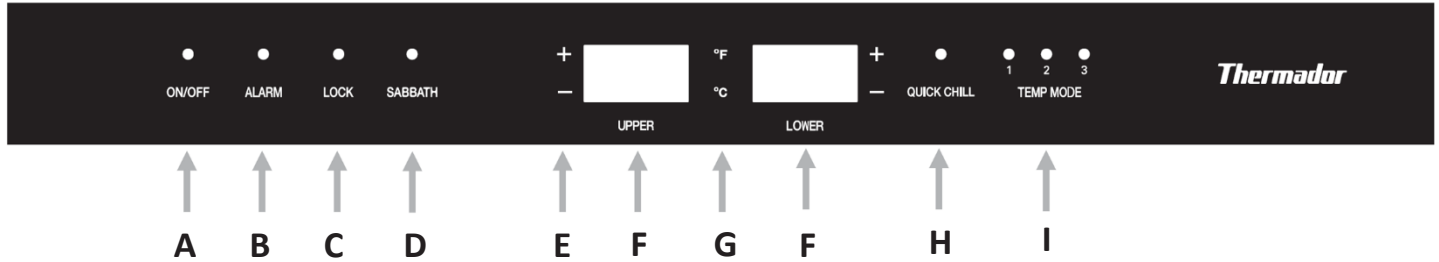
**NOTA:** Los tapetes no pueden lavarse en el lavaplatos.

### ADVERTENCIA

Para evitar la inclinación del electrodoméstico debido a un sobrepeso fuera de equilibrio, no extraiga ambos cajones al mismo tiempo. Siempre cierre uno de los cajones antes de extraer el otro.

# Primeros pasos con su electrodoméstico

## Control táctil



### A. ON/OFF (Encendido/Apagado)

La primera vez que conecte el electrodoméstico comenzará a enfriar automáticamente y todas sus funciones estarán habilitadas.

- Mantenga presionado el botón **ON/OFF** durante 3 segundos para apagar la unidad, deshabilitando todas las funciones y parando todas las operaciones.
- Mantenga presionado el botón **ON/OFF** durante 3 segundos para encender la unidad y comenzar las operaciones normales del electrodoméstico.

### B. ALARM (Alarma)

Después de que la puerta haya estado abierta por 2 minutos o más, se activará una alarma sonora, además de una luz LED indicadora de color azul que parpadeará sobre el botón ALARM (Alarma). Presione el botón una vez para desactivar temporalmente la ALARMA o cierre la puerta abierta.

- **Mantenga presionado** el botón ALARM durante 3 segundos para desactivar permanentemente la función de alarma por puerta abierta. Cuando se presione la tecla escuchará un sonido que le confirmará que la función de alarma se desactivó.
- **Mantenga presionado** el botón ALARM durante 3 segundos para volver a activar la función de alarma por puerta abierta.

**NOTA:** La función de alarma no funcionará cuando la unidad esté en modo *Sabbat*. Consulte la sección Modo *Sabbat* en esta misma página.

### C. LOCK (Bloqueo)

- **Mantenga presionado** el botón LOCK (Bloquear) durante 3 segundos; se encenderá el LED LOCK y todos los botones se bloquearán. Para desactivarlo, presione y mantenga presionado el botón LOCK durante 3 segundos o hasta que la luz LED LOCK se apague.

### D. SABBATH (Sabbat)

El modo *Sabbat* está diseñado para aquellos usuarios cuyas observancias religiosas requieren apagar las luces, o para los viajeros que estarán ausentes de su hogar.

Este electrodoméstico lleva el certificado Star-K que indica que cumple con estrictas normas religiosas junto con instrucciones específicas que aparecen en [www.star-k.org](http://www.star-k.org).

Cuando el modo *Sabbat* está activado:

- El panel de visualización indicará que la unidad está en modo Sabbath (*Sabbat*).
- Todas las demás luces interiores y exteriores se desactivan y no se pueden encender.
- Todos los botones de control quedan inactivos salvo el botón ON/OFF.
- Todas las alarmas sonoras y visuales quedan inactivas.

Para activar el modo Sabbath:

1. Mantenga presionado el botón Sabbath durante 3 segundos para iniciar el modo Sabbath.
2. Al presionar la tecla se escucha un sonido y el PANEL DE VISUALIZACIÓN cambiará para mostrar de forma temporal los caracteres SAB.

Mientras la unidad se encuentre en modo Sabbath la luz quedará encendida, este la puerta abierta o cerrada.

Para desactivar:

1. Mantenga presionado el botón Sabbath
2. Todas las operaciones comenzarán a funcionar normalmente.

### E. SELECCIÓN DE TEMPERATURA

La temperatura puede ser ajustada utilizando los botones de selección de temperatura, vea el capítulo de **ajuste de temperatura** para más detalles.

- Presione (-) Para bajar la temperatura
- Presione (+) Para incrementar la temperatura

### F. PANELES DE VISUALIZACIÓN

La configuración actual de la temperatura en ambos compartimentos es mostrada en los paneles.

### G. °F / °C

**Mantenga presionado** el botón °F / °C para cambiar entre grados Fahrenheit y grados Celsius para la temperatura mostrada en el panel de visualización.

Las unidades de Fabrica son grados Farenheit. Cuando se cambia a grados Celcius (°C) el display mostrara °C hasta que se revierta el cambio. Una vez que se cambien las unidades a Farenheit (°F) el display mostrara °F.

## H. ENFRIADO RÁPIDO

La temperatura del modo QUICK CHILL (Enfriado rápido) se establece en **33 °F** (0 °C).

Este modo es útil para enfriar comidas o bebidas en un período relativamente corto.

**NOTA:** Todos los demás botones de ajuste de temperatura se **deshabilitan** cuando la unidad se encuentra en modo **QUICK CHILL**.

- **Active el modo presionando el botón QUICK CHILL.**

- Desactívelo presionando el botón **QUICK CHILL** otra vez. El modo también se desactivará automáticamente después de las 24 horas.

- El ajuste de la temperatura regresará al que estaba establecido antes de ingresar al modo QUICK CHILL.

## I. TEMP MODE (MODALIDAD DE TEMPERATURA)

Presione el botón TEMP MODE para ciclar entre los 3 niveles de temperatura disponibles:

Modo	TEMP MODE	Temperatura predeterminada	Rango de temperaturas
Bar	1	<b>34°F</b> (1°C)	<b>33°F ~ 35°F</b> (0°C ~ 1°C)
Refrigerator (Refrigerator)	2	<b>37°F</b> (2°C)	<b>36°F ~ 40°F</b> (2°C ~ 4°C)
Pantry (Despensa)	3	<b>44°F</b> (6°C)	<b>41°F ~ 64°F</b> (5°C ~ 17°C)

Estas temperaturas aplican para ambos compartimentos, pero los LED del botón TEMP MODE solo indicarán la temperatura superior. La temperatura puede ser ajustada independientemente para cada cajón utilizando los botones de selección (vea la siguiente sección).

### Ajuste de la temperatura

De forma predeterminada, la temperatura configurada en su refrigerador es: **37 °F (2 °C)** para ambos cajones. Ambos cajones comparten la misma temperatura.

Puede ajustar la temperatura a su gusto mediante los **BOTONES DE SELECCIÓN** o los **BOTONES DE CONFIGURACIONES PREDETERMINADAS**.

Para establecer una nueva temperatura, presione los **BOTONES DE SELECCIÓN (-) o (+) (Más frío o cálido)**. La temperatura aumentará o disminuirá de a un grado cada vez que presione el **BOTÓN DE SELECCIÓN**. La temperatura puede verse en grados Celsius (°C) o en grados Fahrenheit (°F). El ajuste predeterminado de fábrica es grados Fahrenheit (°F).

Su electrodoméstico incluye un sistema de bloque de prevención de pérdida de temperatura que se activa al superar los 10 grados de diferencia entre compartimento.

Una vez que la diferencia entre compartimentos llega a

los 10 grados la temperatura se incrementará o decrecerá en paralelo entre compartimentos.

Page | 20 Si el compartimento superior encuentra a un compartimento inferior a 34 °F, al incrementar la temperatura del compartimento superior a 45 °F automáticamente el compartimento inferior se ajustará a 35 °F.

Ejemplo 2: El compartimento superior se encuentra a 36 °F y el inferior a 46 °F, al incrementar la temperatura del compartimento inferior a 49 °F el compartimento superior se ajustará hasta los 39 °F.

## Encendido del electrodoméstico

El electrodoméstico comienza a enfriar cuando se conecta a la toma de corriente.



### ADVERTENCIA:

Siga las instrucciones y recomendaciones de la sección **“Conexión del electrodoméstico”** de la **Guía de instalación** para conocer el uso correcto y seguro de su refrigerador con doble cajón.

- Las luces interiores de los cajones se encienden cuando se abre cualquiera de los dos cajones.

- Las luces y los botones de **CONTROL TÁCTIL** exteriores quedan **no operativas** cuando el cajón superior está cerrado. La unidad está preconfigurada según el ajuste de temperatura recomendado por la fábrica: **37 °F (2 °C)**

## Cajones del refrigerador



### ADVERTENCIA:

Para evitar el riesgo de explosión, no almacene sustancias explosivas en el electrodoméstico.

### Cuando compre alimentos, tenga en cuenta:

La “frescura en el momento de la compra” es importante para la vida útil de sus alimentos. Cuando compre alimentos, preste siempre atención al grado de frescura. Los alimentos descompuestos o cerca de la fecha de vencimiento se deteriorarán más rápido, incluso si están refrigerados, y podrían contaminar el cajón con olores desagradables.

## Organización de los alimentos en el electrodoméstico

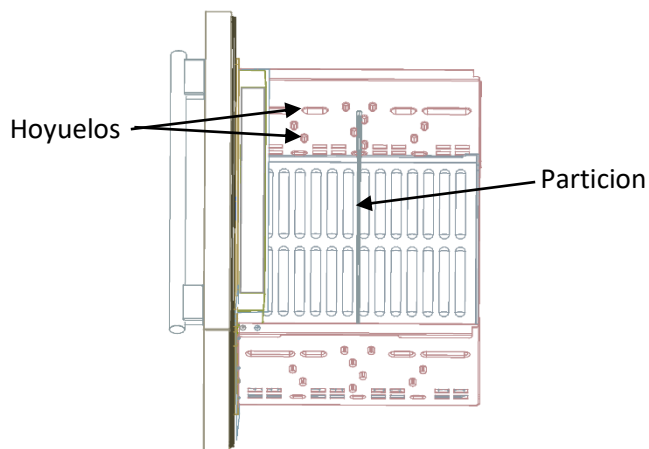
- Envuelva o cubra los alimentos antes de colocarlos en el electrodoméstico. Esto conservará su aroma, color y frescura. Además, los sabores no se transmitirán entre los alimentos y las piezas plásticas no se decolorarán.
- Espere a que los alimentos y las bebidas calientes se enfríen antes de colocarlos en el electrodoméstico.
- No bloquee las aperturas de salida/ingreso de aire del compartimento del refrigerador con los alimentos; de lo contrario, la circulación de aire se verá afectada. Los alimentos que se almacenan directamente frente a las

aperturas de salida de aire podrían congelarse por el aire frío que sale por ellas.

- Evite el contacto de aceite y grasa con las piezas plásticas y el sello de la puerta.

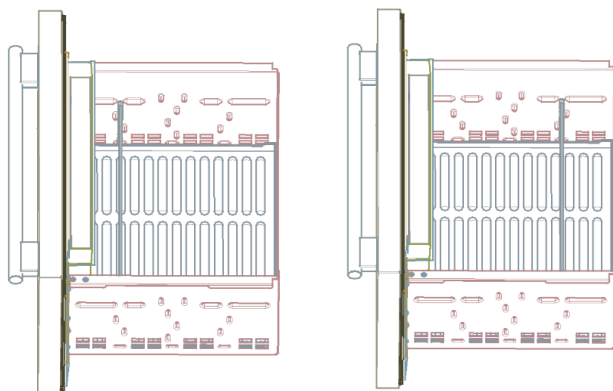
### Particiones del cajón

El compartimento superior tiene una partición de aluminio removible, puede ser ajustada en 3 diferentes posiciones verticales y 2 horizontales utilizando los hoyuelos como guía como se observa en las imágenes:



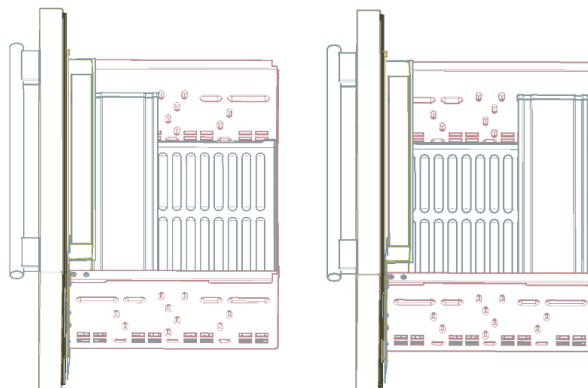
Particion vertical  
posicion centrada

Para cambiar la posición de la partición simplemente saque la partición y reinserte utilizando los hoyuelos guía en la posición deseada.



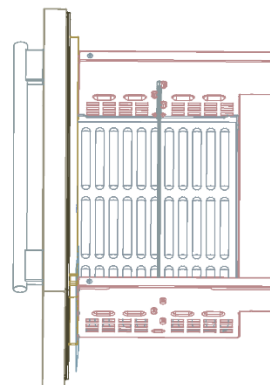
Particion vertical  
posiciones frontal y trasera

Para colocar la partición horizontalmente retire la partición de los hoyuelos guía y coloque la partición como se muestra en las imágenes, esto le permitirá tener un segundo nivel para tener un acceso mas sencillo.

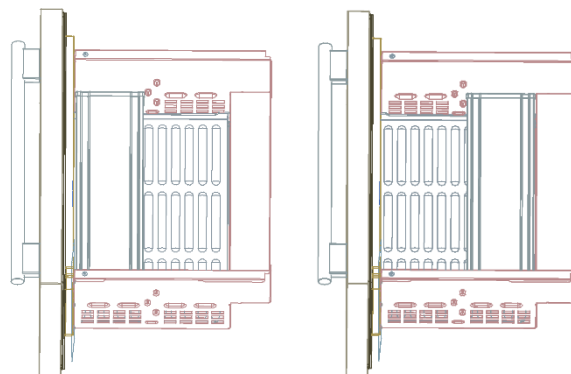


Particion horizontal  
posiciones frontal y trasera

El compartimento inferior tiene una partición de aluminio que puede ser cambiada de posición de su posición vertical a dos horizontales a su conveniencia.



Particion posicion  
vertical



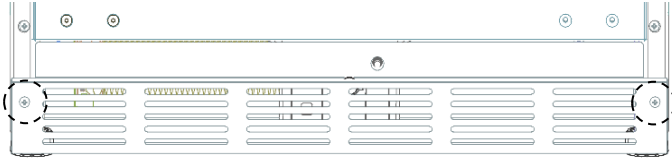
Particion horizontal  
posiciones frontal y trasera

Las particiones pueden utilizarse para organizar el contenido de su refrigerador o permitir un acceso mas sencillo proveyendo una superficie secundaria.

## Cubierta inferior

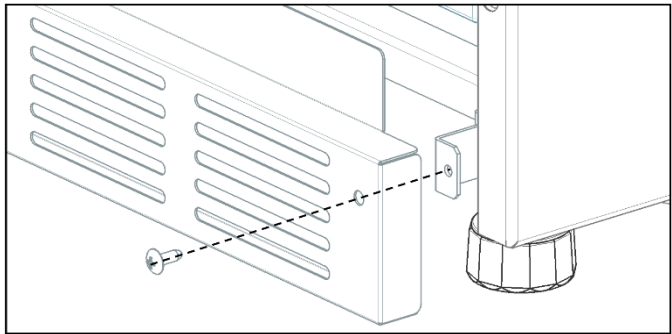
La cubierta inferior propiamente dicho puede ser Page | 21 retirada para reparaciones o limpieza (consulte “Limpieza detrás de la cubierta inferior” en la próxima sección).

1. Retire la cubierta inferior de acero inoxidable desatornillando y retirando los dos tornillos frontales con un destornillador Philips.



### Tornillos frontales

2. Puede retirar la cubierta inferior simplemente tirando de ella hacia afuera.



3. Para volver a colocar la cubierta inferior, coloque la cubierta de tal forma de que los agujeros queden alineados con el soporte, atornille los tornillos frontales con un desarmador de cruz.

**NOTA:** No se recomienda remover la cubierta inferior pero de ser necesario se recomienda que lo realice personal capacitado.

## Limpieza del electrodoméstico

Page | 22 **PRECAUCIÓN:**

**¡Nunca limpie el electrodoméstico con un limpiador de vapor!**

### **PRECAUCIÓN:**

- No utilice agentes de limpieza abrasivos o ácidos ni disolventes.
- No utilice esponjas abrasivas. Las superficies metálicas se podrían corroer.
- Nunca limpie las particiones de aluminio en el lavaplatos. Las piezas podrían sufrir daños.

### Proceda de la siguiente manera:

1. Antes de limpiar, apague el electrodoméstico. Para ver instrucciones, consulte la sección “Encendido/ Apagado” en la página de “Control Tactil”.
2. Limpie el artefacto con un paño suave, agua tibia y un poco de detergente de pH neutro.
3. Limpie el electrodomestico con un paño suave, agua tibia y un poco de detergente de pH neutro.

### **PRECAUCIÓN:**

Cuando enjuague, no debe ingresar agua a los compartimientos de la luz interior que se encuentran en la parte superior de los cajones superior e inferior. El agua tampoco debe derramarse por la parte inferior del gabinete.

4. Limpie los sellos del cajon solo con agua limpia y luego seque por completo.
5. Vuelva a encender el electrodoméstico.

### Limpieza detrás de la cubierta inferior

1. Antes de limpiar, apague el electrodoméstico.
2. Retire la cubierta inferior. Consulte la sección “Cubierta inferior” en la página anterior.
3. Utilice una aspiradora con un accesorio extendido para limpiar las áreas accesibles donde haya polvo o suciedad.
4. Reemplace la cubierta inferior.
5. Encienda el electrodoméstico.

## Olores

Si percibe olores desagradables:

1. Apague el electrodoméstico.
2. Saque todos los alimentos del electrodoméstico.
3. Limpie el interior. Consulte el capítulo “Limpieza del artefacto”.
4. Limpie todos los paquetes.
5. Selle los alimentos con aromas fuertes a fin de evitar la formación de olores.
6. Vuelva a encender el electrodoméstico.
7. Almacene los alimentos en el electrodoméstico.
8. Controle si, después de 24 horas, siguen formándose olores.

## Luz (LED)

Su electrodoméstico cuenta con una luz LED que no requiere mantenimiento ubicada en la parte superior del gabinete interior y debajo del parteluz. Esta luz solo puede ser reparada por técnicos autorizados.

## Consejos para ahorrar energía

- Instale el artefacto en una habitación seca y bien ventilada. El electrodoméstico no debe instalarse bajo luz solar directa ni cerca de una fuente de calor (p. ej., radiador, cocina). De ser necesario, utilice una placa aislante.
- No bloquee las aperturas de ventilación del electrodoméstico.
- Espere a que los alimentos y las bebidas calientes se enfríen antes de colocarlos en el electrodoméstico.
- Abra los cajones del electrodoméstico por tan poco tiempo como sea posible.

## Ruidos de funcionamiento

### Ruidos normales

**Zumbido:** los motores están en marcha (p. ej., unidades de refrigeración, ventilador).

**Burbujeo, zumbido o gorgueo:** el refrigerante fluye por la tubería.

**Clic:** el motor, los interruptores o las válvulas de solenoide se encienden/apagan.

### Prevención de ruidos

#### **Asegúrese de que el electrodoméstico esté nivelado**

Alinee el artefacto con un nivel de burbuja. Utilice las patas de altura ajustable.

**Los contenedores o las áreas de almacenamiento se tambalean o pegan:** Revise las piezas extraíbles (particiones de aluminio, cubeta para hielo, etc.) y vuelva a colocarlas de forma correcta, según sea necesario.

#### **Las botellas o contenedores se tocan entre sí**

Separe ligeramente las botellas o los contenedores entre sí.

## Resolución de problemas

### Asegúrese de controlar primero estos elementos:

- ¿Hay un corte de energía en el área?
- ¿Hay algún fusible del hogar quemado o un disyuntor disparado?
- ¿El electrodoméstico está correctamente conectado al suministro eléctrico?

Muchos problemas se pueden resolver sin necesidad de realizar una llamada de servicio. Considere la lista siguiente como una referencia de soluciones posibles para problemas simples.

Síntoma	Causa posible	Solución posible
El electrodoméstico no enfría.	El electrodoméstico está apagado.	Abra la puerta y presione el botón <b>(ON/OFF)</b> , el electrodoméstico debería estar encendido ahora.
El compresor está en marcha constantemente o en exceso.	El electrodoméstico se abre con frecuencia.	No abra el electrodoméstico innecesariamente.
	Las aperturas de la ventilación están tapadas.	Retire los obstáculos de las aperturas de ventilación que se encuentran en la base de la unidad y en el interior del refrigerador.
	Se colocó una gran cantidad de producto, o producto caliente, en el electrodoméstico.	El compresor funcionará más de lo normal hasta que el producto se enfríe. Cuanto más se agregue, mayor será el tiempo que el motor estará en marcha.
	Entorno excesivamente templado.	Evite colocar la unidad bajo la luz solar directa o cerca de una fuente de calor. Si el electrodoméstico se encuentra en un entorno inusualmente cálido, el compresor funcionará más.
	La junta de la puerta no sella.	Inspeccione el estado de la junta. Si está dañada, el aire frío puede escapar del gabinete y hacer que el compresor funcione más de lo normal.
Los alimentos y las bebidas en la unidad están demasiado fríos.	La temperatura se ha establecido demasiado baja.	Aumente la temperatura. Consulte " <b>Ajuste de la temperatura</b> ". Asegúrese de que la unidad no esté en modo " <b>Quick Chill</b> " (Enfriado rápido).
	El producto se colocó demasiado cerca de los orificios de ventilación.	Reorganice las botellas para que nada obstruya los orificios de ventilación interiores.
La luz interior (LED) no funciona.	La unidad está en modo <i>Sabbat</i> .	Desactive el modo <i>Sabbat</i> . Consulte la sección " <b>Primeros pasos con su electrodoméstico</b> ".
Se sienten olores desagradables del electrodoméstico.	Es posible que algunos contenedores no estén correctamente cerrados o que el contenido de algún contenedor se haya derramado.	Limpie el electrodoméstico. Asegúrese de que todos los contenedores estén correctamente cerrados. (Consulte el capítulo " <b>Olores</b> ").



<p>La alarma de alta temperatura (<b>Hi- alarm</b>) esta activa debido a altas temperaturas, los caracteres <b>HI</b> aparecen en el panel de visualización.</p>	<p>El electrodoméstico se abre con frecuencia.</p>	<p>No abra el electrodoméstico innecesariamente. Presione el botón de alarma para desactivarla.</p>
	<p>Las aperturas de la ventilación están tapadas.</p>	<p>Retire los obstáculos de las aperturas de ventilación que se encuentran en la base de la unidad y en el interior del refrigerador. Presione el botón de alarma para desactivarla.</p>
	<p>Se colocó una gran cantidad de producto, o producto caliente, en el electrodoméstico.</p>	<p>Espere a que el producto se enfríe o remueva los productos calientes del electrodoméstico. Presione el botón de alarma para desactivarla.</p>
	<p>Entorno excesivamente templado.</p>	<p>Evite colocar la unidad bajo la luz solar directa o cerca de una fuente de calor. Presione el botón de alarma para desactivarla.</p>
	<p>La junta de la puerta no sella.</p>	<p>Inspeccione el estado de la junta. Si está dañada, el aire frío puede escapar del gabinete y causar un incremento de temperatura. Presione el botón de alarma para desactivarla.</p>

### Etiqueta de clasificación de datos

La etiqueta de clasificación de datos muestra el modelo y el número de serie de su electrodoméstico. Se encuentra en el lado derecho del compartimiento inferior.

### Información de servicio

Para tenerla como referencia a mano, copie la información en el siguiente formulario de la etiqueta de clasificación de datos que se encuentra en el lado derecho del compartimiento inferior. Conserve su factura para que la garantía tenga validez.

Número de modelo \_\_\_\_\_

Número de serie \_\_\_\_\_

Fecha de compra \_\_\_\_\_

Nombre del distribuidor \_\_\_\_\_

Número de teléfono del distribuidor \_\_\_\_\_

Nombre del Centro de servicio \_\_\_\_\_

Número de teléfono del Centro de servicio \_\_\_\_\_

# Table des matières

## Voici votre appareil encastrable sous le comptoir THERMADOR

### Consignes de sécurité importantes ..... 28

- Définition
- Avant de mettre l'appareil en marche
- Sécurité technique
- Renseignements importants sur l'utilisation de l'appareil
- Les enfants et l'appareil
- Mesures générales

### Conseils pour la mise aux rebuts ..... 29

- Mise aux rebuts de l'emballage
- Mise aux rebuts de l'ancien appareil

### Installation de l'appareil ..... 29

- Transport
- Lieu d'installation

### Aération ..... 29

### Présentation de l'appareil ..... 30

### Mise en service de l'appareil..... 31

- Commande tactile
- Réglage de la température.....32
- Mise en marche de l'appareil

### Tiroirs du réfrigérateur ..... 32

### Bandeau de socle..... 34

### Nettoyage de l'appareil ..... 34

- Nettoyage derrière le bandeau de socle

### Odeurs ..... 35

### Éclairage (DEL)..... 35

### Conseils pour économiser l'énergie..... 35

### Bruits de fonctionnement ..... 35

- Bruits normaux
- Prévention des bruits

### Dépannage ..... 36

BSH Home Appliances Corporation  
1901 Main Street, Irvine, CA.

Vous avez  
des  
questions?

1-800-735-4328

[www.thermador.com](http://www.thermador.com)

**N'hésitez pas à communiquer avec nous!**

# Bienvenue

## Voici votre appareil encastrable sous le comptoir Thermador®

Nous vous remercions d'avoir acheté cet appareil THERMADOR! Que vous soyez un chef dédié ou simplement un connaisseur de l'art culinaire, l'achat d'un appareil THERMADOR pour la cuisine constitue une expression de votre style personnel et de votre bon goût, et une appréciation de l'expérience culinaire globale. Les passionnés de l'art culinaire utilisent nos produits primés depuis plus de onze décennies.

Avant de commencer à utiliser votre nouvel appareil THERMADOR, veuillez prendre quelques instants pour lire le guide d'utilisation et d'entretien. Vous y trouverez des réponses à toutes vos questions ainsi que d'importants renseignements sur la sécurité. Portez une attention particulière aux consignes de sécurité importantes au début de ce guide.

Nos produits sont fabriqués à la main avec des matériaux de la plus haute qualité afin d'assurer un service fiable. Dans l'éventualité peu probable où vous auriez une question concernant un problème technique, veuillez avoir à portée de main les numéros de série et de modèle de l'appareil lorsque vous appelez le service technique. Ces renseignements se trouvent sur la plaque signalétique de l'appareil à l'intérieur du meuble, du côté droit du compartiment inférieur.

Nous sommes conscients que vous avez investi beaucoup de temps et d'argent dans votre cuisine, et nous remercions d'avoir choisi THERMADOR. N'hésitez pas à nous faire parvenir des photos et des histoires de rénovation de votre cuisine. Suivez-nous sur Twitter ou publiez les photos de votre cuisine sur Facebook. Nous serons ravis d'avoir de vos nouvelles!

## **Consignes de sécurité importantes**

LIRE ET CONSERVER CES CONSIGNES!

### Définition



#### **MISE EN GARDE ::**

Ceci indique que des blessures graves voire mortelles peuvent découler du non-respect de cette mise en garde.



#### **ATTENTION :**

Ceci signifie qu'un risque de blessures légères à moyennement graves peut survenir si cette mise en garde n'est pas respectée.

### REMARQUE :

Ceci est utilisé pour attirer l'attention de l'utilisateur à quelque chose en particulier.



**MISE EN GARDE :** Pour atténuer le risque d'incendie, d'électrocution ou de blessure pendant l'utilisation de l'appareil, veuillez prendre les précautions suivantes :

### Avant de mettre l'appareil en marche

Veuillez lire attentivement les consignes d'installation et d'utilisation, car elles contiennent des renseignements importants concernant l'installation, l'utilisation et l'entretien de l'appareil. Conservez tous les documents pour usage ultérieur ou remis au prochain propriétaire.

### Sécurité technique

Si le cordon d'alimentation électrique de cet appareil a été endommagé, il doit être remplacé par un prestataire de service après-vente agréé. Les installations et réparations inadéquates peuvent engendrer des risques considérables pour l'utilisateur. Les réparations doivent être effectuées par un prestataire de service après-vente agréé.

Il ne faut utiliser que les pièces d'origine du fabricant. Seules les pièces d'origine répondent aux exigences de sécurité.

L'appareil est livré équipé d'un cordon d'alimentation à trois fils homologué UL. Il ne faut en aucun cas couper le troisième fil (de terre) du cordon d'alimentation.

L'appareil requiert une prise à trois pôles. La prise doit être raccordée par un électricien qualifié seulement.

Lorsqu'une fiche mâle standard bipolaire est disponible, il incombe au client de la remplacer par une fiche mâle tripolaire adéquatement reliée à la terre. N'utilisez pas d'adaptateur de fiche. N'utilisez pas de rallonge.

## **Renseignements importants sur l'utilisation de l'appareil**

- N'utilisez pas d'appareils électriques à l'intérieur de l'appareil (p. ex., appareils de chauffage, machine à glaçons, etc.). **Risque d'explosion!**
- Ne décongelez et ne nettoyez jamais l'appareil avec un nettoyeur à vapeur! La vapeur risque d'atteindre des pièces électriques et de provoquer un court-circuit. **Risque d'électrocution!**
- Pour détacher le givre ou les couches de glace, n'utilisez jamais d'objets pointus ou présentant des arêtes vives. Vous risqueriez d'endommager les tubulures dans lesquelles circule le produit réfrigérant. Le fluide réfrigérant peut s'enflammer en jaillissant ou provoquer des blessures aux yeux.
- N'utilisez pas de dispositifs mécaniques ou d'autres moyens pour accélérer le processus de dégivrage autres que ceux recommandés par le fabricant.
- Ne stockez dans l'appareil ni produits contenant des gaz propulseurs inflammables (p. ex., bombes aérosol) ni produits explosifs. **Risque d'explosion!**
- Ne vous servez pas abusivement des socles, portes, tablettes, etc. comme marchepied ou pour vous appuyer.
- Éteignez l'appareil avant de le nettoyer.
- Ne conservez les bouteilles de boissons fortement alcoolisées qu'hermétiquement fermées et à la verticale.
- L'huile et la graisse ne doivent pas entrer en contact avec les parties en matières plastiques et le joint de porte. Sinon, les pièces en plastique et le joint de porte deviendront poreux.
- Ne recouvrez et n'obstruez jamais les orifices d'entrée et de sortie d'air affectées à l'appareil.

### Les enfants et l'appareil

- Ne confiez jamais l'emballage et ses pièces constitutives aux enfants. Ils risquent de s'étouffer avec les cartons pliants et les feuilles de plastique!
- Ne laissez pas les enfants jouer avec l'appareil!
- Ne permettez jamais aux enfants d'utiliser l'appareil en l'absence d'un adulte.

### Mesures générales

Cet appareil est exclusivement destiné à stocker des aliments et des boissons.

Cet appareil est destiné à un usage domestique dans un foyer privé, et à l'environnement domestique. Le circuit frigorifique a subi un contrôle d'étanchéité.

### Avertissements de la Proposition 65 de l'État de Californie

Ce produit peut contenir un produit chimique connu de l'État de Californie, qui peut provoquer des cancers ou des troubles de la reproduction. Par conséquent, l'emballage de votre produit peut porter l'étiquette suivante, comme l'exige la Californie :

STATE OF CALIFORNIA PROPOSITION 65 WARNING: /  
AVERTISSEMENT ISSUE DE LA PROPOSITION 65  
DE L'ÉTAT DE LA CALIFORNIE:



Cancer and Reproductive Harm / Cancer et dommages à la  
reproduction - [www.P65Warnings.ca.gov](http://www.P65Warnings.ca.gov).

## Conseils pour la mise aux rebuts

### Mise aux rebuts de l'emballage

L'emballage protège votre appareil contre les dégâts qu'il pourrait subir en cours de transport. Tous les matériaux qui le constituent sont compatibles avec l'environnement et recyclables. Aidez-nous en éliminant l'emballage dans le respect de l'environnement. Pour savoir comment vous débarrasser de l'emballage, veuillez consulter votre revendeur ou les autorités locales.

### Mise aux rebuts de l'ancien appareil

Les appareils usagés ne sont pas des déchets sans valeur! Leur élimination dans le respect de l'environnement permet d'en récupérer de précieuses matières premières.

### MISE EN GARDE :

1. Débranchez la fiche de la prise de courant.
2. Sectionnez le cordon d'alimentation, puis le jeter avec la fiche.
3. Retirez la porte de l'appareil.
4. Ne permettez pas aux enfants de jouer avec l'appareil lorsqu'il ne sert plus. Risque d'asphyxie!

Les appareils frigorifiques contiennent des fluides frigorigènes et des gaz isolants. Ils doivent être mis aux rebuts de manière adéquate. Veillez à ce que les tuyaux du circuit frigorifique de votre appareil ne soient pas endommagés jusqu'à son élimination appropriée.

## Installation de l'appareil

**Pour obtenir des consignes d'installation détaillées, consultez le guide d'installation fourni avec cet appareil.**

Demandez à un technicien qualifié d'installer et de raccorder l'appareil conformément aux consignes d'installation comprises.

**REMARQUE :** Pour obtenir des consignes d'installation détaillées, des mesures et des renseignements pertinents, consultez le guide d'installation fourni avec cet appareil.

### MISE EN GARDE :

N'installez pas cet appareil :

- À l'extérieur
- Dans un endroit où l'eau dégoutte
- Dans une pièce où il y a risque de gel

Il est recommandé de prévoir un circuit séparé desservant uniquement votre réfrigérateur. Utilisez une prise qui ne peut pas être désactivée par un interrupteur. N'utilisez pas de rallonge.

## Transport

L'appareil est lourd et doit être manipulé avec précaution durant le transport et l'installation. En raison du poids et des dimensions de cet appareil, la présence d'au moins deux personnes est nécessaire pour mettre l'appareil en place en toute sécurité et éviter les blessures ou les dégâts matériels.

### MISE EN GARDE :

Lors de la manipulation ou du déplacement de l'appareil, évitez d'endommager les tuyaux et de provoquer des fuites de réfrigérant.

## Lieu d'installation

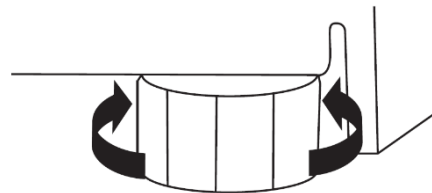
Une pièce bien aérée où l'air est sec convient à l'installation. Le lieu d'installation ne doit pas être exposé directement aux rayons du soleil et se trouver à proximité d'une source de chaleur, p. ex., une cuisinière, un radiateur, etc.

Si l'installation se trouve à proximité d'une source de chaleur, utilisez une plaque isolante adéquate ou respectez la distance minimum entre l'appareil et la source de chaleur :

- Cuisinière/four à gaz ou électrique 1 ¼ po (3 cm).
- Cuiseur à l'huile ou au charbon 1 13/16 po (30 cm).

Sur l'emplacement, le sol ne doit pas s'affaisser. Renforcez-le le cas échéant. L'appareil doit être à la verticale et de niveau pour fonctionner correctement.

Si l'appareil semble instable, il existe 4 pieds de mise à niveau qui peuvent être réglés selon vos préférences.



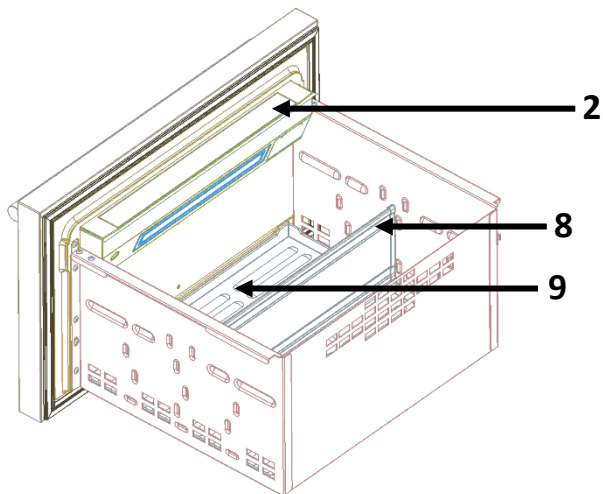
## Aération

L'air destiné à l'unité de réfrigération rentre et sort par le bandeau de socle. Ne couvrez jamais cette partie ou placez un objet devant. Sinon, le groupe frigorifique se trouverait sollicité plus fortement, ce qui augmenterait la consommation de courant.

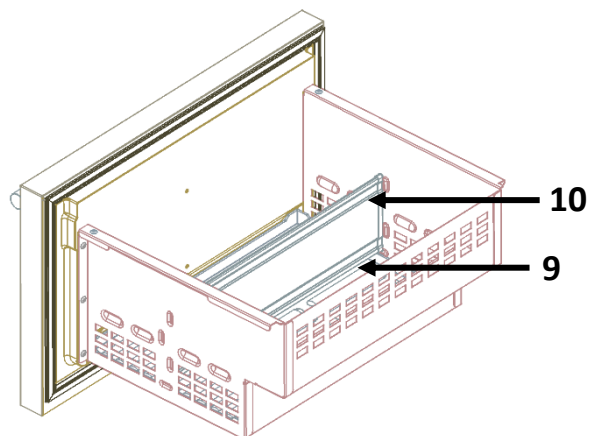
## Présentation de l'appareil

Les réfrigérateurs à double tiroir encastrables THERMADOR peuvent être autonomes ou encastrés, et sont disponibles en plusieurs configurations. Ces consignes d'utilisation conviennent à plusieurs modèles; les schémas peuvent différer.

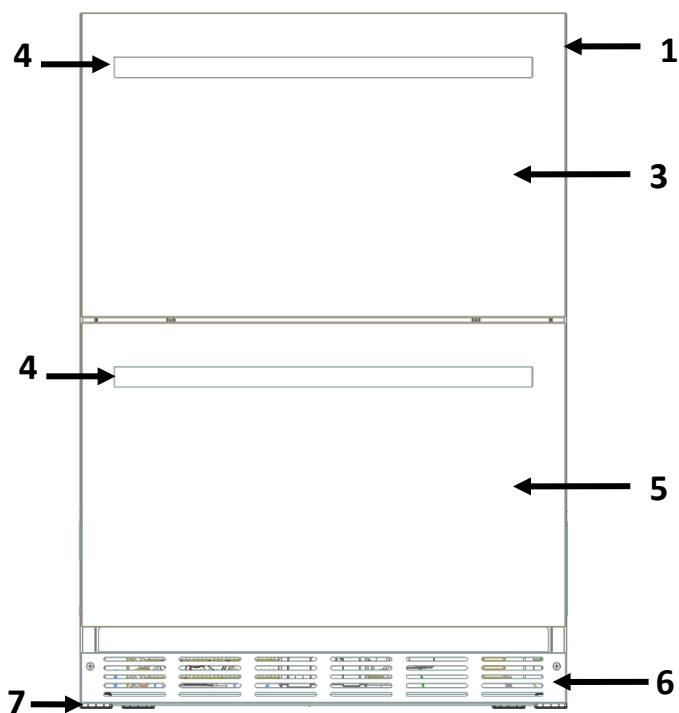
1. Meuble
2. Commande tactile (sur le tiroir supérieur)
3. Tiroir supérieur
4. Poignée (style « Professionnel » montré)
5. Tiroir inférieur
6. Bandeau de socle
7. Pattes de nivellement
8. Séparateur en aluminium (long)
9. Mat
10. Séparateur en aluminium (court)



Tiroir supérieur



Tiroir inférieur



**REMARQUE :** Le modèle avec revêtement ne comprend pas de porte en acier inoxydable ou de poignée.

**REMARQUE :** Les mats ne sont pas lavables au lave-vaisselle.

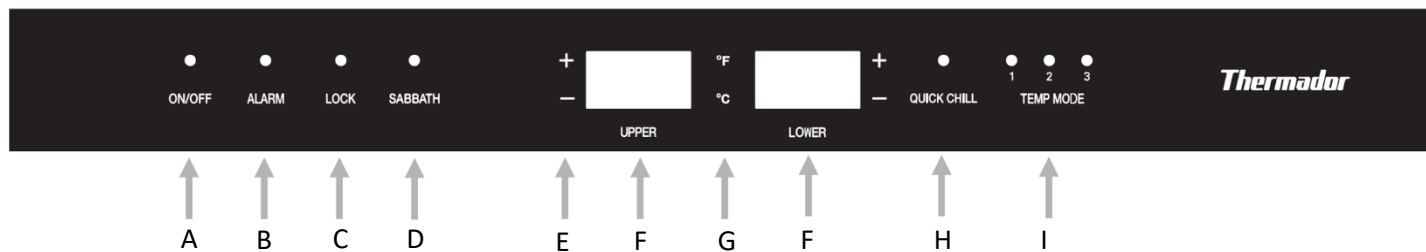


### MISE EN GARDE

Pour éviter que l'appareil ne bascule en raison d'un déséquilibre de poids, n'ouvrez pas les deux tiroirs en même temps. Fermez toujours un tiroir avant d'ouvrir l'autre.

# Mise en service de l'appareil

## Commande tactile



### A. ON/OFF

La première fois que l'appareil est branché, il démarre automatiquement et toutes les fonctions sont activées.

- Appuyez et maintenez la touche **ON/OFF** pendant 3 secondes pour passer en mode arrêt, ce qui désactivera les fonctions et arrêtera toutes les opérations de l'appareil.
- Appuyez et maintenez la touche **ON/OFF** pendant 3 secondes pour activer les fonctions et démarrer le fonctionnement normal de l'appareil.

### B. ALARME

Lorsque l'un ou l'autre des tiroirs demeure ouvert pendant 2 minutes ou plus, une alarme retentit et un voyant DEL bleu clignote au-dessus du bouton ALARM (alarme). Appuyez une fois sur ce bouton pour désactiver temporairement l'alarme ou fermez la porte.

- **Appuyez** sur le bouton ALARM et **maintenez-le enfoncé** pendant 3 secondes pour désactiver la fonction d'ALARME en cas de porte ouverte. Un son sera émis afin de confirmer que la fonction d'ALARME a été désactivée.
- **Appuyez** sur le bouton ALARM et **maintenez-le enfoncé** pendant 3 secondes pour réactiver la fonction d'ALARME en cas de porte ouverte.

**REMARQUE :** La fonction ALARME ne fonctionne pas lorsque l'appareil est en mode Sabbat. Voir la section Mode Sabbat sur cette même page.

### C. VERROUILLAGE

- **Appuyez** sur le bouton LOCK (verrouillage) et **maintenez-le enfoncé** pendant 3 secondes. Le voyant DEL LOCK s'allumera et tous les boutons seront verrouillés. Pour désactiver le verrouillage, appuyez sur le bouton LOCK et maintenez-le enfoncé pendant 3 secondes ou jusqu'à ce que le voyant DEL LOCK s'éteigne.

### D. SABBATH

Le mode Sabbat est conçu pour les utilisateurs dont les convictions religieuses exigent que les lumières soient éteintes ou pour les voyageurs qui s'absentent de leur domicile.

Cet appareil est certifié par Star-K pour répondre à des règlements religieux rigoureux relativement à des directives précises se trouvant sur [www.star-k.org](http://www.star-k.org).

Lorsque le mode Sabbat est activé:

- Le panneau d'affichage indique que l'appareil est en mode Sabbat.
- Tous les autres éclairages intérieurs et extérieurs se désactivent et ne peuvent être activés.
- Tous les boutons de commande sont désactivés.
- Toutes les alarmes sonores et visuelles sont désactivées.

### Activation:

1. Appuyez et maintenez la touche Sabbat pendant 3 secondes pour démarrer le mode Sabbat.
2. L'appui touche retentit une fois, le voyant Sabbat s'allume et l'écran affiche SAB pendant quelques secondes.

Le voyant ne s'éteindra pas, même si la porte est fermée, tant que l'appareil reste en mode Sabbat.

### Désactivation:

1. Appuyez sur la touche Sabbat et maintenez-la enfoncée pendant 3 secondes.
2. Tous les boutons, affichages, lumières et alarmes redeviennent fonctionnels.

### E. BOUTONS DE SÉLECTION

La température est réglée à l'aide des boutons de sélection.

- **Appuyez sur COOLER (plus froid) (-)** pour diminuer la température.
- **Appuyez sur WARMER (plus chaud) (+)** pour hausser la température.

### F. PANNEAU D'AFFICHAGE

La température réglée des deux compartiments (supérieur et inférieur) du réfrigérateur est indiquée sur le panneau d'affichage.

### G. °F / °C

Maintenez enfoncé le bouton °F / °C pour passer des degrés Fahrenheit aux degrés Celsius pour la température affichée.

Le réglage d'usine est en degrés Fahrenheit. Lorsque vous passez aux degrés Celsius (°C), l'écran affiche °C jusqu'à ce que vous reveniez en arrière. Lorsque vous revenez aux degrés Fahrenheit (°F), l'écran affiche °F.

## H. MODE REFROIDISSEMENT RAPIDE

La température du mode REFROIDISSEMENT RAPIDE est fixée à **33 °F** (0 °C).

Ce mode est utile pour le refroidissement d'aliments ou de boissons dans un délai relativement bref.

**REMARQUE:** Tous les autres boutons de réglage de température deviennent **non fonctionnels** lorsque l'appareil est en mode **REFROIDISSEMENT RAPIDE**.

- **Activez le mode en appuyant sur le bouton QUICK CHILL** (refroidissement rapide).
- Désactivez le mode en appuyant de nouveau sur le bouton **QUICK CHILL**. Ce mode est aussi automatiquement désactivé après 24 heures.
- Les réglages de température retourneront à leurs valeurs réglées avant l'activation du mode REFROIDISSEMENT RAPIDE.

## I. MODE TEMPÉRATURE

Appuyez sur la touche TEMP MODE pour faire défiler les 3 niveaux de température. En réglant votre appareil sur ce qui suit:

Mode	TEMP MODE	Température par défaut	Écart de température
Bar	1	<b>34°F</b> (1°C)	<b>33°F ~ 35°F</b> (0°C ~ 1°C)
Refrigerator (Réfrigérateur)	2	<b>37°F</b> (2°C)	<b>36°F ~ 40°F</b> (2°C ~ 4°C)
Pantry (garde-manger)	3	<b>44°F</b> (6°C)	<b>41°F ~ 64°F</b> (5°C ~ 17°C)

Pour chaque mode de température, le réglage s'applique aux deux tiroirs mais les LED du mode de température sur l'écran n'afficheront que le mode de température actuel pour le compartiment supérieur. La température peut être réglée en utilisant les boutons de sélection de la température indépendamment les uns des autres (voir section suivante).

### Réglage de la température

Par défaut, la température réglée dans votre réfrigérateur est : **37 °F (2 °C)** pour les deux compartiments de tiroirs. Les deux tiroirs ont la même température.

Vous pouvez régler la température selon votre préférence en utilisant les BOUTONS DE SÉLECTION ou les BOUTONS DE PRÉRÉGLAGES.

Pour modifier la température, appuyez sur les BOUTONS DE SÉLECTION : **(plus froid) (-) et (plus chaud) (+)**.

La température augmentera ou diminuera d'un degré chaque fois que vous appuyez sur un BOUTON DE SÉLECTION. La température peut être affichée en degrés Celsius (°C) ou en degrés Fahrenheit (°F). Le réglage par défaut en usine est (°F) Fahrenheit.

L'appareil comprend un système de verrouillage pour empêcher la baisse de température dans l'un ou l'autre des compartiments lorsque la différence de température dépasse 10 degrés.

Lorsque la différence de température entre le compartiment inférieur et le compartiment supérieur dépasse 10 degrés, la température augmente ou diminue

en conséquence.

Exemple 1 : la température du compartiment supérieur est réglée sur 44° et que celle du compartiment inférieur sur 34°. Si vous augmentez la température du compartiment supérieur à 45°, la température du compartiment inférieur s'ajustera automatiquement à 35° en parallèle.

Exemple 2 : le compartiment supérieur est réglé sur 36° et le compartiment inférieur sur 46°. Si vous augmentez la température du compartiment inférieur à 49°, la température du compartiment supérieur s'ajuste à 39°.

### Mise en marche de l'appareil

L'appareil commence à refroidir après avoir été mis sous tension.



#### MISE EN GARDE :

Suivez les consignes et conseils énoncés dans la rubrique « **Branchement de l'appareil** » du **Guide d'installation** pour utiliser le réfrigérateur à double tiroir correctement et en toute sécurité.

- La ou les lumières intérieures des tiroirs s'allument lorsque l'un ou l'autre des tiroirs est ouvert.
- Les voyants et boutons de COMMANDE TACTILE extérieurs deviennent **non fonctionnels** lorsque le tiroir supérieur est fermé.

L'appareil est programmé avec les réglages de température recommandés d'usine suivants : **37 °F (2 °C)**

## Tiroirs du réfrigérateur



#### MISE EN GARDE :

Pour éviter le risque d'explosion, ne stockez pas de substances explosives dans l'appareil.

**Lorsque vous achetez des aliments, veuillez noter ce qui suit :**

La « fraîcheur à l'achat » est importante pour la durée de conservation de vos aliments. Lorsque vous achetez des aliments, vérifiez toujours le degré de fraîcheur. Les aliments avariés ou près de leur date de péremption se décomposeront plus rapidement, même réfrigérés, et peuvent contaminer le tiroir avec des odeurs désagréables.

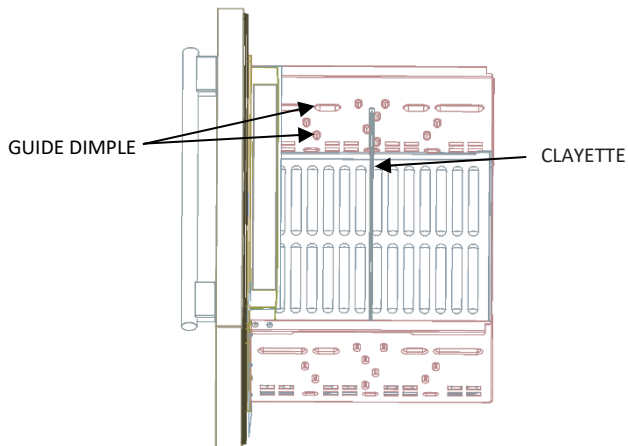
### Organisation des aliments dans le réfrigérateur

- Enveloppez ou recouvrez les aliments avant de les placer au réfrigérateur. Cela permettra de conserver l'arôme, la couleur et la fraîcheur des aliments. En outre, les saveurs ne seront pas transférées entre les aliments, et les pièces en plastique ne se décolorent pas.
- Laissez les boissons et aliments chauds refroidir avant de les placer au réfrigérateur.
- Ne bloquez pas les orifices d'entrée/de sortie d'air avec des aliments dans le compartiment du réfrigérateur, au risque de nuire à la circulation d'air. Les aliments placés directement devant les orifices de sortie d'air peuvent être congelés par la circulation d'air frais.
- Évitez le contact des huiles et graisses avec les pièces en plastique et le joint d'étanchéité de porte.



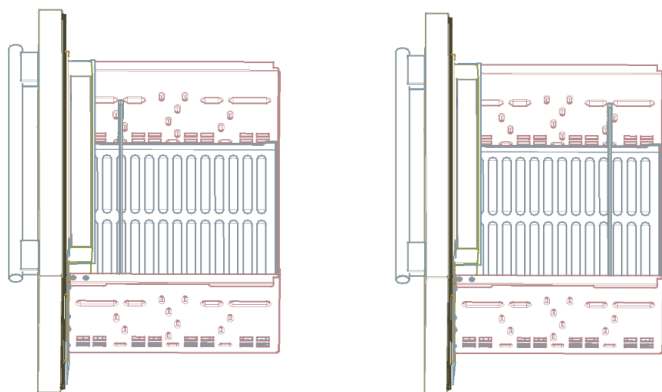
## Séparateurs de tiroirs

Le tiroir supérieur est doté d'une clayette en aluminium amovible. Elle peut être placée dans 3 positions différentes à la verticale et dans 2 positions différentes à l'horizontale, en utilisant les différentes encoches sur le côté des tiroirs, comme le montrent les photos:



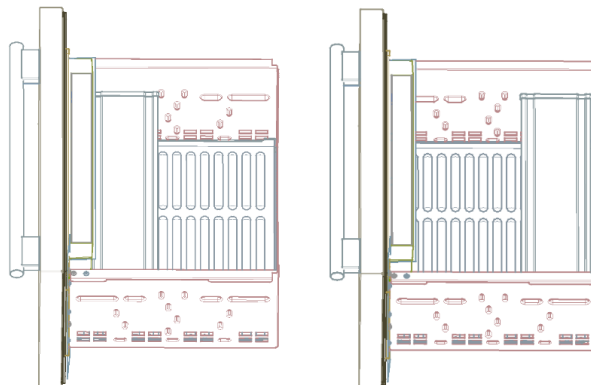
VERTICAL CLAYETTE  
POSITION INTERMEDIAIRE

Pour modifier la position de la clayette, il suffit de la tirer et de la faire glisser dans les encoches de la position souhaitée.



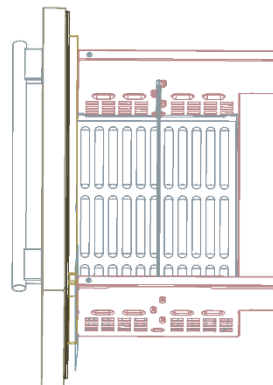
VERTICAL CLAYETTE  
POSITION AVANT ET ARRIERE

Pour placer horizontalement, faites glisser la cloison et placez-la au-dessus des alvéoles, cela vous permettra d'avoir un deuxième niveau de rangement pour un accès plus facile.

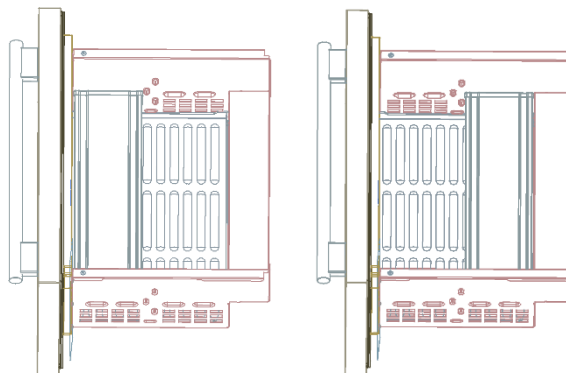


HORIZONTAL CLAYETTE  
POSITION AVANT ET ARRIERE

Le tiroir inférieur est doté d'une **clayette en aluminium** amovible, qui peut passer de la position verticale à deux positions horizontales différentes.



VERTICAL CLAYETTE  
POSITION



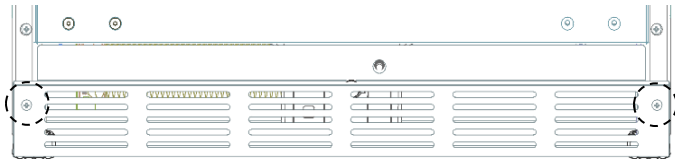
HORIZONTAL CLAYETTE  
POSITION AVANT ET ARRIERE

Les clayettes peuvent être utilisées pour organiser le contenu de votre réfrigérateur ou servir de surface secondaire pour ranger et présenter des articles au-dessus de l'espace de rangement principal.

## Bandeau de socle

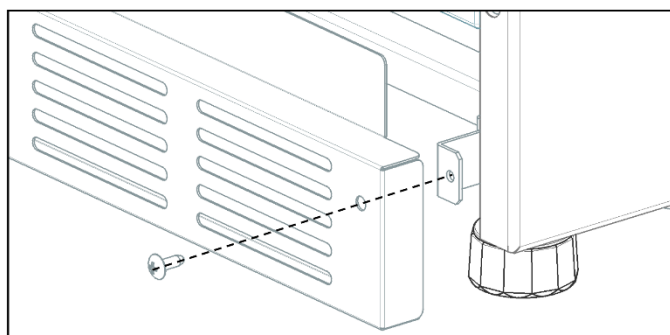
Le bandeau de socle peut être retiré à des fins d'entretien ou de nettoyage (consultez la rubrique « **Nettoyage derrière le bandeau de socle** »).

1. Retirer le bandeau de socle en acier inoxydable en dévissant et en retirant les deux vis avant avec un tournevis cruciforme.



Vis avant

2. Vous pouvez retirer la plinthe en la tirant simplement.



3. Pour remettre la plinthe en place, alignez les trous avec la languette de support et vissez les vis frontales dans la même position à l'aide d'un tournevis Philips.

**REMARQUE:** Il n'est pas recommandé de retirer la plaque de protection, mais si cela s'avère nécessaire, il est recommandé de le faire faire par un personnel de service autorisé.

## Nettoyage de l'appareil

### ⚠ MISE EN GARDE

Ne jamais nettoyer l'appareil avec un nettoyeur à vapeur!

### ⚠ ATTENTION :

- N'utilisez aucun solvant ou produit de nettoyage acide ou abrasif.
- N'utilisez jamais d'éponges abrasives ou susceptibles de rayer. Des zones corrodées pourraient apparaître sur les surfaces métalliques.
- Ne nettoyez jamais les tiroirs au lave-vaisselle. Ces pièces pourraient se déformer.

### Procédure :

1. Avant le nettoyage : éteignez l'appareil. Pour les instructions, voir la section « Marche/Arrêt » de la page « **Commande tactile** ».

2. Nettoyez l'appareil qu'avec un chiffon doux, de l'eau tiède et du produit à vaisselle présentant un pH neutre.

### ⚠ ATTENTION :

Lorsque vous rincez le meuble, l'eau ne doit pas pénétrer dans le recoin de la lumière intérieure du côté supérieur du meuble intérieur, ou se renverser dans le fond du meuble.

3. Nettoyez l'appareil avec un chiffon doux, de l'eau tiède et un peu de détergent neutre.

4. Essuyez le joint de porte avec un chiffon et de l'eau propre, puis séchez-le à fond.

5. Remettez l'appareil en marche.

## Nettoyage derrière le bandeau du socle

1. Éteignez l'appareil avant le nettoyage.

2. Retirez le bandeau de socle. Pour savoir comment procéder, consultez la rubrique « **Bandeau de socle** » de la page précédente.

3. Utilisez un aspirateur avec accessoire allongé pour nettoyer les zones accessibles poussiéreuses ou sales.

4. Remettez le bandeau de socle en place.

5. Mettez l'appareil en marche.

## Odeurs

Si des odeurs désagréables se manifestent :

1. Éteignez l'appareil.
2. Sortez tous les aliments et les boissons de l'appareil.
3. Nettoyez l'intérieur. Consultez la rubrique « Nettoyage de l'appareil ».
4. Nettoyez tous les emballages.
5. Scellez les aliments à odeur forte afin d'éviter la formation d'odeurs dans l'appareil.
6. Remettez l'appareil en marche.
7. Rangez les aliments dans l'appareil.
8. Vérifiez si les odeurs sont toujours présentes après 24 heures.

## Éclairage (DEL)

Votre appareil est équipé d'un éclairage DEL ne demandant pas d'entretien et se trouvant dans la partie supérieure du meuble intérieur, sous le meneau. Les réparations de cet éclairage sont exclusivement réservées à des spécialistes autorisés.

## Conseils pour économiser l'énergie

- Placez l'appareil dans un endroit sec et bien aéré. Veillez à ce que l'appareil ne soit pas directement exposé aux rayons solaires et qu'il ne se trouve pas à proximité d'une source de chaleur (p. ex., radiateur, cuisinière). Utilisez le cas échéant une plaque isolante.
- N'obstruez pas les grilles d'aération de l'appareil.
- Laissez les boissons et aliments chauds refroidir avant de les placer au réfrigérateur.
- N'ouvrez la porte de l'appareil que le plus brièvement possible.

## Bruits de fonctionnement

### Bruits normaux

**Bourdonnement sourd** : Les moteurs tournent (groupes frigorifiques, ventilateur).

**Clapotis, sifflement léger ou gargouillis** : Le fluide frigorigène circule dans les tuyaux.

**Cliquetis** : Le moteur, les interrupteurs ou les électrovannes sont activés/désactivés.

### Prévention des bruits

#### S'assurer que l'appareil est de niveau

Veillez mettre l'appareil de niveau à l'aide d'un niveau à bulle. Ajustez ensuite l'horizontalité en utilisant les pattes à vis.

**Récipients ou zones de rangement qui oscillent ou collent** : Veuillez vérifier les pièces amovibles (séparateurs en aluminium, seau à glace, etc.) et réinsérez-les correctement, au besoin.

#### Des bouteilles ou récipients se touchent

Éloignez légèrement les bouteilles ou récipients les uns des autres.

## Dépannage

### Vérifiez d'abord ce qui suit :

- Y a-t-il une panne de courant dans le secteur?
- Un fusible a-t-il sauté ou le disjoncteur a-t-il été déclenché?
- L'appareil est-il bien branché dans la prise de courant?

Plusieurs problèmes peuvent être résolus sans avoir à appeler le service après-vente. Voici une liste de solutions possibles à des problèmes mineurs.

Symptôme	Cause possible	Mesure à prendre
L'appareil ne refroidit pas.	L'appareil est éteint.	Vérifiez l'affichage pour vous assurer que l'appareil n'est pas éteint. Si l'écran affiche « OFF », appuyez sur le bouton ON/OFF pendant 3 secondes.
Le compresseur fonctionne constamment ou trop longtemps.	La porte de l'appareil est ouverte trop souvent.	N'ouvrez pas la porte trop souvent.
	Les orifices d'aération ont été couverts.	Retirez les objets obstruant les orifices d'aération situés à la base de l'appareil et à l'intérieur du réfrigérateur.
	Un trop grand nombre de produits, ou des produits chauds, ont été placés dans le réfrigérateur.	Le compresseur fonctionne davantage afin de refroidir les produits. Plus vous ajoutez de produits, plus le moteur fonctionnera longtemps.
	L'environnement est trop chaud.	Évitez de mettre l'appareil sous les rayons solaires ou près d'une source de chaleur. Si l'appareil se trouve dans un environnement trop chaud, le compresseur fonctionnera davantage.
	Le joint d'étanchéité de la porte n'adhère pas.	Inspectez l'état du joint d'étanchéité. S'il est endommagé, l'air froid s'échappera du meuble et incitera le compresseur à fonctionner plus qu'à la normale.
Les aliments et boissons sont trop froids.	Le réglage de la température est trop bas.	Haussez la température. Consultez la rubrique « Réglage de la température ». Assurez-vous que l'appareil n'est pas en mode « Refroidissement rapide ».
	Les produits sont placés trop près des orifices d'aération.	Réorganisez les bouteilles afin que rien n'obstrue les orifices d'aération intérieurs.
L'éclairage intérieur (DEL) ne fonctionne pas.	L'appareil est réglé en mode Sabbat.	Désactivez le mode Sabbat.
Des odeurs désagréables émanent de l'appareil.	Des aliments à forte odeur ne sont pas scellés.	Nettoyez l'appareil. Scellez les aliments à forte odeur (consultez la rubrique « Odeurs »).

Le séparateur entre les tiroirs supérieur et inférieur est chaud au toucher.	Cela est normal et fait partie du fonctionnement du système de gestion de l'humidité pour l'extérieur de l'unité.	Aucune intervention n'est requise.
L'alarme élevée est activée (en raison d'une température élevée à l'intérieur de l'appareil), HI est indiqué sur le LED de l'écran.	La porte de l'appareil est ouverte trop souvent.	N'ouvrez pas l'appareil inutilement. Appuyez une fois sur l'alarme pour la désactiver.
	Les orifices d'aération ont été couverts.	Retirez les obstacles aux ouvertures de ventilation situées à la base de l'appareil et à l'intérieur du réfrigérateur. Appuyez une fois sur l'alarme pour la désactiver.
	Un trop grand nombre de produits, ou des produits chauds, ont été placés dans le réfrigérateur.	Attendez que les produits refroidissent ou retirez les produits chauds de l'appareil, puis appuyez une fois sur l'alarme pour la désactiver.
	L'environnement est trop chaud.	Évitez de placer l'appareil en plein soleil ou près d'une source de chaleur. Appuyez une fois sur l'alarme pour la désactiver.
	Le joint d'étanchéité de la porte n'adhère pas.	Inspectez l'état du joint d'étanchéité. S'il est endommagé, l'air froid peut s'échapper de l'armoire et provoquer une augmentation de la température. Appuyez une fois sur l'alarme pour la désactiver.

## Plaque signalétique

La plaque signalétique indique le numéro de série et le modèle de l'appareil. Elle est située sur le côté droit du compartiment inférieur.

## Renseignements pour le service après-vente

Aux fins de référence pratique, veuillez copier sur le formulaire ci-dessous les renseignements se trouvant sur la plaque signalétique se trouvant sur le côté droit du compartiment inférieur. Conservez votre facture pour valider la garantie.

Numéro de modèle \_\_\_\_\_

Numéro de série \_\_\_\_\_

Date d'achat \_\_\_\_\_

Nom du revendeur \_\_\_\_\_

Numéro de téléphone du revendeur \_\_\_\_\_

Nom du centre de service après-vente \_\_\_\_\_

Numéro de téléphone du service après-vente \_\_\_\_\_







PN: 9001700449 C  
T24UR925DS  
T24UR915DS  
T24UR905DP

03/2022  
Printed in Mexico  
Impreso en México  
Imprime au Mexique

BSH Home Appliances Corporation, 1906 Main Street, Suite 600, Irvine CA 92614  
1-800-735-4328 // [www.thermador.com](http://www.thermador.com)