

Use and care

GUIDE

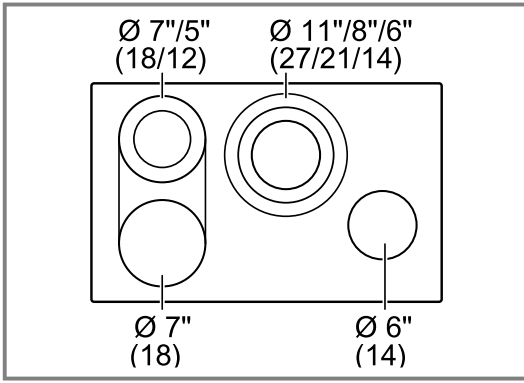
Masterpiece® Series Electric Cooktop

CEM305TB CEM366TB



() = cm

CEM305TB



CEM366TB

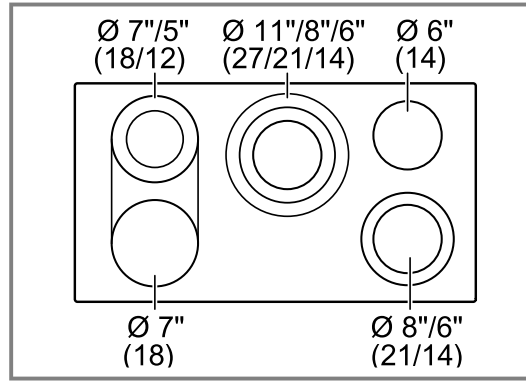


Table of contents

1 IMPORTANT SAFETY INSTRUCTIONS.....	4
1.1 Safety definitions.....	4
1.2 General information.....	4
1.3 Intended use	4
1.4 Restriction on user group	4
1.5 Safe use.....	4
1.6 Child safety	6
1.7 Proper installation and maintenance	7
1.8 State of California Proposition 65 Warnings	7
2 Preventing material damage	8
2.1 Overview of the most common types of damage	8
3 Environmental protection and energy-saving	8
3.1 Disposal of packaging	8
3.2 Saving energy	8
4 Familiarizing yourself with your appliance	9
4.1 Control panel.....	9
4.2 Cooking zones	9
5 Operation.....	10
5.1 Setting the power level.....	10
5.2 Turning the cooking zone off.....	10
5.3 Using the dual cooking zone	10
5.4 Using the triple cooking zone	10
5.5 Using the bridge zone	10
5.6 Recommended cooking settings	10
6 Cleaning and maintenance.....	11
6.1 Cleaning agents	11
6.2 Cleaning the glass ceramic cooktop.....	11
6.3 Cleaning the cooktop frame	11
6.4 Cleaning recommendations.....	11
6.5 Maintenance	12
7 Disposal.....	13
7.1 Disposal of your old appliance	13
8 Customer Service	13
8.1 Model number (E-Nr.) and production number (FD)	13
8.2 Rating plate location.....	13
9 STATEMENT OF LIMITED PRODUCT WARRANTY	13
9.1 What this warranty covers & Who it applies to.....	13
9.2 How long the warranty lasts	13
9.3 Repair/replace as your exclusive remedy.....	13
9.4 Out of warranty product.....	14
9.5 Warranty exclusions.....	14
9.6 Obtaining warranty service.....	15
9.7 Product information	15



IMPORTANT SAFETY INSTRUCTIONS

READ AND SAVE THESE INSTRUCTIONS

Read all instructions carefully before use. These precautions will reduce the risk of electrical shock, fire and injury to persons. When using kitchen appliances, basic safety precautions must be followed including those in the following pages.

1.1 Safety definitions

Here you can find explanations of the safety signal words used in this manual.

WARNING

This indicates that death or serious injuries may occur as a result of non-observance of this warning.

CAUTION

This indicates that minor or moderate injuries may occur as a result of non-observance of this warning.

NOTICE:

This indicates that damage to the appliance or property may occur as a result of non-compliance with this advisory.

Note: This alerts you to important information and/or tips.

1.2 General information

- Read this manual carefully.
- Keep the instructions, the appliance pass and the product information safe for future reference or for the next owner.
- Do not connect the appliance if it has been damaged in transit.

1.3 Intended use

Only a qualified electrician may connect appliances without plugs. The manufacturer is not responsible for damage caused by incorrect connections. Please see the Statement of Limited Product Warranty → *Page 13*.

Only use this appliance:

- To prepare meals and drinks.
- Under supervision. Never leave the appliance unattended when cooking for short periods.
- In private households and in enclosed spaces in a residential environment.
- up to an altitude of 6,560 ft (2000 m) above sea level.

Do not use the appliance:

- This appliance is not intended for operation with an external clock timer or a remote control.

1.4 Restriction on user group

This appliance is not intended for use by persons (including children) with reduced physical, sensory or mental capabilities, or lack of experience and knowledge, unless they have been given supervision or instruction concerning use of the appliance by a person responsible for their safety.

When children become old enough to use the appliance, it is the responsibility of the parents or legal guardians to ensure that they are instructed in safe practices by qualified persons.

Children should be supervised to ensure that they do not play with the appliance.

Do not let children play with the appliance.

1.5 Safe use

WARNING

When properly cared for, your new appliance has been designed to be safe and reliable.

- ▶ Read all instructions carefully before use. These precautions will reduce the risk of burns, electric shock, fire, and injury to persons.
- ▶ When using kitchen appliances, basic safety precautions must be followed, including those in the following pages.

WARNING

Overheated materials can cause fire or burns.

- ▶ Do not allow aluminum foil, plastic, paper or cloth to come in contact with a hot surface element, burner or grate.
 - ▶ Do not allow pans to boil dry.
- Unattended cooking on a cooktop with fat or oil can be dangerous and may result in a fire.
- ▶ Do not leave the cooktop unattended when in use.
- A fire could occur during cooking.

A fire could occur during cooking.

- ▶ Always have a working smoke detector near the kitchen.
- ▶ Have an appropriate fire extinguisher available, nearby, highly visible and easily accessible near the appliance.



IMPORTANT SAFETY INSTRUCTIONS

READ AND SAVE THESE INSTRUCTIONS

If the cooktop is near a window, forced air vent or fan, be certain that flammable materials such as window coverings do not blow over or near the burners or heating elements. They could catch on fire.

Cooking fires can spread if extinguished incorrectly.

- ▶ Never use water on cooking fires.

WARNING

TO REDUCE THE RISK OF A GREASE FIRE

- ▶ Never Leave Surface Units Unattended at High Settings - Boilovers cause smoking and greasy spillovers that may ignite. Heat oils slowly on low or medium settings.
- ▶ Always turn hood ON when cooking at high heat or when flambeing food (i.e. Crepes Suzette, Cherries Jubilee, Peppercorn Beef Flambe').
- ▶ Use proper pan size. Always use cookware appropriate for the size of the surface element.
- ▶ Do not flambé under the extractor hood or work with a naked flame. When switched on, the extractor hood draws flames into the filter. There is a risk of fire due to deposits on the grease filter!

Flames can be drawn into the ventilation system.

- ▶ Whenever possible, do not operate the ventilation system during a cooktop fire. However, do not reach through fire to turn it off.

Cookware Handles Should be Turned Inward and Not Extend Over Adjacent Surface Units.

- ▶ To reduce the risk of burns, ignition of flammable materials, and spillage due to unintentional contact with the cookware, the handle of a cookware should be positioned so that it is turned inward, and does not extend over adjacent surface units.

Wear Proper Apparel. Loose-fitting or hanging garments, such as ties, scarves, jewelry, or dangling sleeves, should never be worn while using the appliance.

- ▶ Tie long hair so that it does not hang loose.
- ▶ Secure all loose garments, etc. before beginning.

Use Proper Pan Size - This appliance is equipped with one or more surface units of different sizes.

- ▶ Select cookware having flat bottoms large enough to cover the surface unit cooking zone.
- ▶ The use of undersized cookware will expose a portion of the cooking zone to direct contact and may result in ignition of clothing. Proper relationship of cookware to cooking zone will also improve efficiency.

Boilovers can cause smoke and some foods and oils may catch fire if left on high temperature settings.

- ▶ When using a timer, always supervise the cooktop.
- ▶ Do not allow anything to boil over or burn.

CAUTION

The cooking process has to be supervised. A short term cooking process has to be supervised continuously.

WARNING

To avoid risk of fire do not store items on the cooking surfaces.

In the event that personal clothing or hair catches fire, drop and roll immediately to extinguish flames.

Do Not Use Water on Grease Fires.

- ▶ Smother fire or flame or use dry chemical or foam-type extinguisher.

WARNING

Use Only Dry Potholders - Moist or damp potholders on hot surfaces may result in burns from steam.

- ▶ Do not let potholders touch hot heating elements.
 - ▶ Do not use a towel or other bulky cloth.
- Hot oil is capable of causing extreme burns and injury.
- ▶ Use high heat settings on the cooktop only when necessary.
 - ▶ To avoid bubbling and splattering, heat oil slowly on no more than a low-medium setting.
 - ▶ Never move a pan of hot oil, especially a deep fat fryer. Wait until it is cool.

Spills of hot food may cause burns.

- ▶ Hold the handle of the pan when stirring or turning food.

This helps prevent spills and movement of the pan.

DO NOT TOUCH SURFACE UNITS OR AREAS NEAR UNITS. Surface units may be hot even though they are dark in color. Areas near surface units may become hot enough to cause burns.

- ▶ During and after use, do not touch, or let clothing, potholders, or other flammable materials contact surface units or areas near units until they have had sufficient time to cool. Among these areas are the cooktop and areas facing the cooktop.

Clean Cooktop With Caution.

- ▶ If a wet sponge or cloth is used to wipe spills on a hot cooking area, be careful to avoid steam burn.
- ▶ Some cleaners can produce noxious fumes if applied to a hot surface.



IMPORTANT SAFETY INSTRUCTIONS

READ AND SAVE THESE INSTRUCTIONS

- ▶ Do not clean the appliance while it is still hot.

WARNING

Storage in or on Appliance - The use of corrosive chemicals in heating or cleaning will damage the appliance and could result in injury.

- ▶ Flammable materials, corrosive chemicals, vapors or non-food products should not be stored or used in an oven or on or near surface units.
- ▶ The appliance is specifically designed for use when heating or cooking food.

This appliance is intended for normal family household use only.

- ▶ It is not approved for outdoor use.
- ▶ See the Statement of Limited Product Warranty. If you have any questions, contact the manufacturer.

WARNING

Using this appliance other than for its intended use can cause fire or injury to persons.

- ▶ Use this appliance only for its intended use as described in this manual.
- ▶ NEVER use your appliances as a space heater for warming or heating the room. Doing so may result in excessive heat radiation and can cause a fire.
- ▶ Never use the appliance for storage.

WARNING - TO REDUCE THE RISK OF INJURY TO PERSONS IN THE EVENT OF A GREASE FIRE, OBSERVE THE FOLLOWING.

- ▶ **SMOTHER FLAMES** with a close-fitting lid, cookie sheet, or metal tray, then turn off the burner. **BE CAREFUL TO PREVENT BURNS.** If the flames do not go out immediately, **EVACUATE AND CALL THE FIRE DEPARTMENT.**
- ▶ **NEVER PICK UP A FLAMING PAN** – You may be burned.
- ▶ **DO NOT USE WATER**, including wet dishcloths or towels – a violent steam explosion will result.
- ▶ Use an extinguisher **ONLY** if:
 - You know you have a Class ABC extinguisher, and you already know how to operate it.
 - The fire is small and contained in the area where it started.
 - The fire department is being called.
 - You can fight the fire with your back to an exit.

Do not heat or warm unopened food containers. Build-up of pressure may cause the container to burst and cause injury.

Liquid between the pot base and the cooktop may build up steam pressure. This may cause the pot to jump suddenly causing injury.

- ▶ Always keep the cooktop and bases of pots dry. When cooking with a double-boiler, the cooktop and cooking vessel may crack due to overheating.
- ▶ The cooking vessel in the double-boiler must not come in direct contact with the bottom of the pot filled with water.

- ▶ Use only heat-resistant cookware.

Failure to operate knobs properly may result in personal injury and damage to the appliance.

Glazed Cooking Utensils - Only certain types of glass, glass/ceramic, ceramic, earthenware, or other glazed utensils are suitable for cooktop or range-top service without breaking due to the sudden change in temperature.

- ▶ Use only pans that are appropriate for ceramic cooktops.
- ▶ Cookware not approved for use with ceramic cooktops may break with sudden temperature changes.

WARNING

Moisture intrusion may cause an electric shock.

- ▶ Do not use any steam cleaners or high-pressure cleaners to clean the appliance.

WARNING

If the surface is cracked, switch off the appliance to avoid the possibility of electric shock.

Do Not Cook on a Broken Cooktop - If the cooktop should break, cleaning solutions and spillovers may penetrate the broken cooktop and create a risk of electric shock.

- ▶ Contact an authorized service provider immediately.

1.6 Child safety

This appliance is not intended for use by persons (including children) with reduced physical, sensory or mental capabilities, or lack of experience and knowledge, unless



IMPORTANT SAFETY INSTRUCTIONS

READ AND SAVE THESE INSTRUCTIONS

they have been given supervision or instruction concerning use of the appliance by a person responsible for their safety.

When children become old enough to use the appliance, it is the responsibility of the parents or legal guardians to ensure that they are instructed in safe practices by qualified persons.

WARNING

Do not allow children to use this appliance unless closely supervised by an adult.

- ▶ Children and pets should not be left alone or unattended in the area where the appliance is in use. They should never be allowed to play in its vicinity, whether or not the appliance is in use.

Do not allow anyone to climb, stand, lean, sit, or hang on any part of an appliance, especially a door, warming drawer, or storage drawer.

- ▶ This can damage the appliance, and the unit may tip over, potentially causing severe injury.

Do not let children play with the appliance.

CAUTION

Do not store items of interest to children in cabinets above an appliance or on the backguard of an appliance. Children climbing on the appliance to reach items could be seriously injured.

Do Not Leave Children Alone.

- ▶ Children should not be left alone or unattended in the area where the appliance is in use.
- ▶ They should never be allowed to sit or stand on any part of the appliance.

WARNING

To avoid the risk of suffocation:

- ▶ Do not allow children to play with packaging material.

1.7 Proper installation and maintenance

WARNING

In the event of a malfunction, it might become necessary to turn off the power supply.

- ▶ Have the installer show you the circuit breaker or fuse. Mark it for easy reference.

To avoid electrical shock hazard, before servicing the appliance, turn power off at the service panel and lock the panel to prevent the power from being switched on accidentally.

Proper Installation - Improper installation or grounding can cause electric shock.

- ▶ This appliance must be properly installed and grounded by a qualified technician.
- ▶ Connect only to properly grounded outlet.
- ▶ Refer to installation instructions for details.

User Servicing - Do not repair or replace any part of the appliance unless specifically recommended in this manual.

- ▶ All other servicing should be referred to an authorized service provider.

If the supply cord is damaged, it must be replaced by the manufacturer, its authorized service provider or similar qualified persons in order to avoid hazard.

WARNING

Malfunctions can cause injuries.

- ▶ Do not operate this appliance if it is not working properly, or if it has been damaged. Contact an authorized service provider.

1.8 State of California Proposition 65 Warnings

This product may contain a chemical known to the State of California, which can cause cancer or reproductive harm. Therefore, the packaging of your product may bear the following label as required by California:

STATE OF CALIFORNIA PROPOSITION 65 WARNING:



WARNING

Cancer and Reproductive Harm - www.P65Warnings.ca.gov

2 Preventing material damage

NOTICE:

Cookware with rough bottoms scratch the glass ceramic surface.

- ▶ Check the bottom of the cookware before setting it down.

Salt, sugar or grains of sand scratch the glass ceramic surface.

- ▶ Never use the cooktop as a working surface or for setting things down.

Overheating can damage the cookware or the appliance.

- ▶ Do not heat empty pots or pans, or let cookware boil dry.

Hot cookware can cause the electronics to overheat.

- ▶ Never set down hot pans and pots on the control panel or the cooktop frame.

When hard or sharp objects fall on the cooktop, they can cause damage.

- ▶ Do not let hard or pointed objects fall on the cooktop.

Non heat-resistant materials will melt on heated cooking zones.

- ▶ Do not use oven protective foil.
- ▶ Do not use aluminum foil or plastic containers.

Unsuitable cleaning agents can cause shimmering metallic discolorations on the glass ceramic surface.

- ▶ Refer to the cleaning recommendations in this manual.
→ "Cleaning and maintenance", Page 11

2.1 Overview of the most common types of damage

Here you can find an overview of the most common types of damage and suggestions how to avoid them.

Stains

Cause	Remedy
Boiled-over food	Remove boiled-over food immediately with a glass scraper.
Unsuitable cleaning agents	Use cleaning agents that are suitable for glass ceramic cooktops.

Scratches

Cause	Remedy
Salt, sugar and sand	Do not use the cooktop as a work surface or storage space.
Cookware with rough bases	Check the cookware.

Discolorations

Cause	Remedy
Unsuitable cleaning agents	Use cleaning agents that are suitable for glass ceramic cooktops.
Pot abrasion (e.g. aluminum)	Lift pots and pans when moving them.

Blisters

Cause	Remedy
Sugar, food with a high sugar content	Remove boiled-over food immediately with a glass scraper.

3 Environmental protection and energy-saving

3.1 Disposal of packaging

The packaging materials are environmentally compatible and can be recycled.

- ▶ Sort the individual components by type and dispose of them separately.

3.2 Saving energy

If you follow these tips, your appliance consumes less energy.

Select cookware with a base diameter that matches the cooking zone. Center the cookware on the cooking zone.

Tip: For frying pans, cookware manufacturers usually state the top diameter of the cookware. The diameter of the pan base is usually smaller.

- ✓ The energy is targeted at the cookware.
If you use cookware that is too small, energy is wasted.
If the cookware is too large, much energy is used to heat up the cookware.

Close cookware with a fitting lid.

- ✓ Cooking without a lid consumes more energy.

Only lift the lid when necessary.

- ✓ If you lift the lid, a lot of energy can escape.

Use a glass lid.

- ✓ If you use a glass lid, you can look inside the cookware without lifting the lid.

Use cookware with a solid flat bottom.

- ✓ Curved cookware bases increase energy consumption.

Use a cookware size that matches the amount of food you want to cook.

- ✓ Large cookware with little content consumes a lot of energy.

Cook with a small amount of water.

- ✓ More water requires more energy to heat it up.

Select a lower power level as soon as possible. Select a suitable power level to continue cooking.

- ✓ For ongoing cooking a lower power level is sufficient.

Use the residual heat of the cooking zone. For longer cooking times, turn the cooking zone off 5-10 minutes before the end of the cooking time.

- ✓ Unused residual heat increases energy consumption.

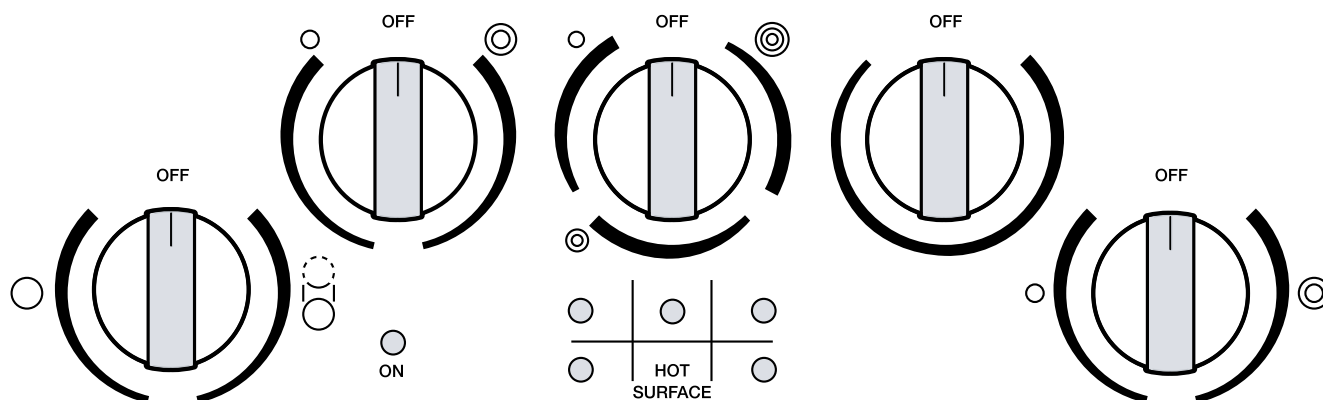
4 Familiarizing yourself with your appliance

This Use and Care Guide covers several models. Your model may have some but not all of the features listed.

4.1 Control panel

You can use the control panel to configure all functions of your appliance and to obtain information about the operating status.

The control panel image is representative. Your appliance may vary slightly.



Knob positions

You can use the control panel to configure all functions of your appliance and to obtain information about the operating status.

Knob position	Function
Off	Cooking zone turned off
Circle segments	Power levels can be set continuously. <ul style="list-style-type: none"> ▪ Lowest power level = thin end of circle segment ▪ Highest power level = thick end of circle segment

NOTICE:

Always keep the control knobs clean and dry. Moisture and dirt can affect proper functioning.

Cooking zone and residual heat indicators

When you turn on a cooking zone the indicator above **ON** lights up. The indicators of the individual cooking zones light up when a cooking zone is hot.

Indicator	Meaning
○	Cooktop is turned on
ON	Cooking zone is turned on
○ ○ ○ ○	Cooking zone is turned off and residual heat is present

4.2 Cooking zones

Here you can find an overview of the cooking zones available on your cooktop. Place the cookware on the cooking zone that best matches its size.

Refer to the overview of models and dimensions. → Page 2

Symbol	Cooking zone	Function
○	Single cooking zone	Only one cooking zone size is available.
◎	Dual cooking zone	Two cooking zone sizes are available. → "Using the dual cooking zone", Page 10
◎◎	Triple cooking zone	Three cooking zone sizes are available. → "Using the triple cooking zone", Page 10
⊖	Bridge zone	The bridge zone combines two cooking zones to a long griddle zone. → "Using the bridge zone", Page 10

Note: Do not use cookware larger than 17" x 10" (430 x 250 mm).

Note

The cooking zone regulates the temperature by switching the heat on and off. The heat may also switch on and off when on the highest power level.

- This protects components from overheating.

- The appliance is protected from electrical overload.
- Better cooking results are achieved.

5 Operation

Here you will find everything you need to know about operating your appliance.

5.1 Setting the power level

Adjust the power level of the cooking zone with the control knobs.

- ▶ Push and turn the control knob to the desired power level.
- ✓ The indicator above **ON** lights up.
- ✓ When the cooking zone becomes hot the indicator of the selected cooking zone lights up.

5.2 Turning the cooking zone off

- ▶ Turn the control knob to **OFF**.
- ✓ The cooking zone indicator remains lit until the cooking zone has cooled off.
- ✓ When all cooking zones are turned off, the indicator above **ON** goes out. The cooktop is turned off.

5.3 Using the dual cooking zone

1. To use both rings of the dual cooking zone, push and turn the control knob along the circle segment marked with ☉.
2. To use only the inner ring of the dual cooking zone, push and turn the control knob along the circle segment marked with ○.

5.4 Using the triple cooking zone

1. To use all three rings of the triple cooking zone, push and turn the control knob along the circle segment marked with ☉.
2. To use the two inner rings of the triple cooking zone, push and turn the control knob along the circle segment marked with ☉.
3. To use only the inner ring of the triple cooking zone, push and turn the control knob along the circle segment marked with ○.

5.5 Using the bridge zone

The bridge zone joins two individual cooking zones to one long griddle zone. This configuration is ideal for griddles and large pans.

1. To use the bridge zone as individual cooking zones:
 - Push and turn the control knob along the circle segment marked with ○.
2. To use the front cooking zone and the bridge segment to create an oblong cooking zone:
 - Push and turn the control knob along the circle segment marked with ☉.
3. To use the entire bridge zone:
 - Push and turn the control knob for the front left cooking zone along the circle segment marked with ☉.
 - Push and turn the control knob for the left rear cooking zone along the circle segment marked with ☉.
 - Turn both control knobs to approximately the same position to achieve even heating.

- Turn the control knobs to different power levels to create two different heat zones in your pan, e.g. for searing and stewing.

5.6 Recommended cooking settings

Here you can find recommendations on cooking and an overview of various dishes with suitable heat levels.

- Select the highest power level for bringing to a boil or initial frying.
- Stir thick liquids occasionally.
- Food that needs to be seared quickly, or food which loses a lot of liquid during initial frying, is best seared in several small portions.

Cooking charts

The cooking chart shows which power level is suitable for each type of food. The cooking time may vary depending on the type, weight, thickness and quality of the food. The power level for continuous cooking depends on the type of cookware you use.

⚠ CAUTION

Stews or liquids can heat up very quickly during cooking and may overflow or spatter, e.g. soups, sauces or drinks.

- ▶ Stir continuously.
- ▶ Heat the food at a suitable power level.

Melting

Type of food	Power level
Chocolate	min
Butter	min

Heating

Frozen vegetables, e. g. spinach	min to med-min
Broth	med to med-max
Thick soup	min
Milk ¹	min
¹ Cook without lid	

Simmering

Delicate sauce, e. g. Béchamel sauce	med-min to med
Spaghetti sauce	min to med-min
Pot roast	med-min to med
Fish ¹	med-min to med
¹ Ongoing cooking without lid	

Cooking

Rice, with double amount of water	med-min
Potatoes boiled in their skins, with 1-2 cups of water	med-min to med
Boiled potatoes, with 1-2 cups of water	med-min to med
¹ Ongoing cooking without lid	
² Cook without lid	

Fresh vegetables, with 1-2 cups of water	med-min to med
Frozen vegetables, with 1-2 cups of water	med-min to med
Pasta, with 2-4 qt. water ¹	med-min to med
Pudding ²	min
Cereals	med-min

¹ Ongoing cooking without lid

² Cook without lid

Frying

Pork chop ¹	med
Chicken breast ¹	med-min to med
Bacon	med
Eggs	med-min to med
Fish	med-min to med
Pancakes	med

¹ Turn the food several times.

Deep-fat frying

Fry in 1-2 qt. oil without a lid.

Deep-frozen foods, e. g. chicken nuggets (0.5 lb per serving)	med-max to max
Other, e. g. doughnuts (0.5 lb per serving)	med

6 Cleaning and maintenance

To keep your appliance working efficiently for a long time, it is important to clean and maintain it carefully.

6.1 Cleaning agents

You can purchase suitable cleaners and glass scrapers from Customer Support or in our online shop www.thermador.com/us/accessories.

Tip: Thermador cleaners have been tested and approved for use on Thermador appliances. Other recommended cleaners do not constitute an endorsement of a specific brand.

Recommended cleaning agents

- Glass ceramic cooktop cleaner
- Thermador glass cooktop cleaner
- BonAmi®¹
- Soft Scrub®¹ (without bleach)
- White vinegar

Unsuitable cleaning agents

- Glass cleaners which contain ammonia or chlorine bleach. These cleaners may damage or permanently stain the cooktop.
- Caustic cleaners such as Easy Off®¹. These cleaners may stain the cooktop surface.

- Abrasive cleaners.
- Metal scouring pads and scrub sponges such as Scotch Brite®¹. These cleaners may scratch the cooktop surface and/or leave metal marks.
- Soap-filled scouring pads such as SOS®¹. These cleaners may scratch the cooktop surface.
- Powdery cleaners containing chlorine bleach. These cleaners may permanently stain the cooktop surface.
- Flammable cleaners such as lighter fluid or WD-40®¹.

6.2 Cleaning the glass ceramic cooktop

⚠ WARNING

Clean Cooktop With Caution.

- ▶ If a wet sponge or cloth is used to wipe spills on a hot cooking area, be careful to avoid steam burn.
- ▶ Some cleaners can produce noxious fumes if applied to a hot surface.
- ▶ Do not clean the appliance while it is still hot.

⚠ CAUTION

Do not use any kind of cleaner on the glass while the surface is hot; use only the glass scraper. The resulting fumes can be hazardous to your health. Heating the cleaner can chemically attack and damage the surface.

Requirements

- The cooktop has cooled off.
- Exception: Remove dry sugar, sugar syrup, milk and tomato products and melted plastic film or foil immediately using the glass scraper.
→ "Cleaning recommendations", Page 11

1. Wipe off splatters with a clean, damp sponge or a paper towel.
2. Rinse and dry.
3. If a smudge remains use white vinegar.
4. Rinse and dry again.
5. Apply a small amount of cooktop cleaner with a clean paper towel or cloth and let it dry.
6. Buff the surface with a clean paper towel or cloth.

6.3 Cleaning the cooktop frame

For models with a metal frame follow these cleaning instructions.

Notes

- Wipe the cooktop frame with the grain.
- For moderate to heavy soil, use BonAmi®¹ or Soft Scrub®¹ (no bleach).

1. Wipe using a damp sponge or cloth.
2. Rinse and dry.

6.4 Cleaning recommendations

Follow these cleaning instructions for removing common soiling.

⚠ WARNING

The blade of the glass scraper is extremely sharp. You can cut yourself.

- ▶ Replace the blade immediately, when you see any imperfections.

¹ These marks are registered trademarks of their respective owners. All other trademarks are trademarks of BSH Home Appliances Corporation or its affiliated companies.

- ▶ Follow the manufacturer's instructions.

NOTICE:

Diamond rings may scratch the ceramic cooktop surface.

- ▶ Take off any rings before you clean the ceramic cooktop surface.

Type of soil	Recommendation
<ul style="list-style-type: none"> ■ Dry sugar ■ Sugar syrup ■ Milk ■ Tomato spills ■ Melted plastic film or foil 	<p>REMOVE IMMEDIATELY. Failure to remove these substances immediately can permanently damage the ceramic cooktop surface.</p> <p>Remove the soil with the glass scraper while the cooktop surface is still hot.</p> <p>Use a new, sharp razor in the glass scraper.</p> <ul style="list-style-type: none"> ■ Remove the cookware and turn off the cooking zone. ■ Put on an oven mitt. ■ Hold the glass scraper at 30° angle and scrape off the soil. Be careful not to gouge or scratch the glass ceramic surface. ■ Push the soil off the heated area. ■ Let the surface cool. ■ Remove the residue and apply glass ceramic cooktop cleaner.
<ul style="list-style-type: none"> ■ Burned-on food soil ■ Dark streaks ■ Dark specks 	<ul style="list-style-type: none"> ■ Lay a damp paper towel or sponge on top of the soil for 30 minutes to soften the soil. ■ Remove the soil with a plastic scrubber and glass ceramic cooktop cleaner or with the glass scraper. ■ Rinse the cooktop surface and dry it.
Greasy spatters	<ul style="list-style-type: none"> ■ Remove grease with a soapy sponge or cloth. ■ Rinse the cooktop surface thoroughly and dry it. ■ Apply glass ceramic cooktop cleaner.

¹ These marks are registered trademarks of their respective owners. All other trademarks are trademarks of BSH Home Appliances Corporation or its affiliated companies.

Type of soil	Recommendation
Metal marks: iridescent stain	<p>Pans with aluminum, copper or stainless steel bases may leave marks.</p> <p>Treat metal marks immediately after the cooktop surface has cooled off. Failure to do so makes removal very difficult.</p> <ul style="list-style-type: none"> ■ Clean the cooktop surface with glass ceramic cooktop cleaner. ■ If this does not remove the marks, clean the cooktop surface with a damp paper towel and a mild abrasive (Bon Ami¹, Soft Scrub¹ without bleach). ■ Rinse the cooktop surface and apply glass ceramic cooktop cleaner.
Hard water spots	<p>Hot cooking liquids may drip or spill on the cooktop surface. The minerals in some water can be transferred onto the surface and cause stains.</p> <p>Remove boilovers and stains before using the cooktop again.</p> <ul style="list-style-type: none"> ■ Clean the cooktop surface with undiluted white vinegar. ■ Rinse the cooktop surface and dry it. ■ Apply glass ceramic cooktop cleaner.
Surface scratches	<p>Small scratches are common and do not affect cooking. They become smoother and less noticeable with daily use of the glass ceramic cooktop cleaner.</p> <ul style="list-style-type: none"> ■ Apply glass ceramic cooktop cleaner before cooking to remove sand-like grains and grit such as salt and seasoning. ■ Scratches can be reduced by using pans with bases that are smooth, clean, and dry before use. Use recommended glass ceramic cooktop cleaner daily.

¹ These marks are registered trademarks of their respective owners. All other trademarks are trademarks of BSH Home Appliances Corporation or its affiliated companies.

6.5 Maintenance

This appliance requires no maintenance other than daily cleaning.

For best results, apply cooktop cleaning cream daily.

7 Disposal

7.1 Disposal of your old appliance

Environmentally compatible disposal allows valuable raw materials to be recycled.

- ▶ Dispose of the appliance in an environmentally responsible manner.

Information about current disposal methods can be obtained from your specialist dealer or local authority.

8 Customer Service

With any warranty repair, we will make sure your appliance is repaired by an authorized service provider using genuine replacement parts. We use only genuine replacement parts for all repairs.

Detailed information on the warranty period and terms of warranty can be found in the Statement of Limited Product Warranty, from your retailer, or on our website.

If you contact the Customer Service, you will need the model number (E-Nr.) and the production number (FD) of your appliance.

USA:

1-800-735-4328

www.thermador.com/support

www.store.thermador.com/us

CA:

1-800-735-4328

www.thermador.ca

8.1 Model number (E-Nr.) and production number (FD)

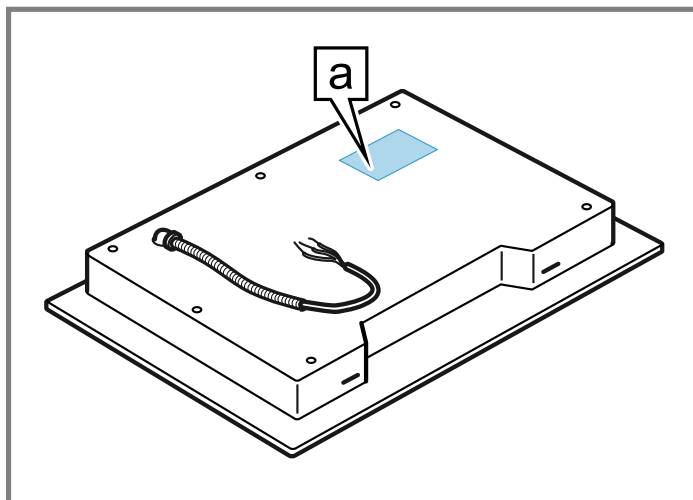
You can find the model number (E-Nr.) and the production number (FD) on the appliance's rating plate.

Making a note of your appliance's details and the Customer Service telephone number will enable you to find them again quickly.

8.2 Rating plate location

You can find the rating plate of your appliance:

- on the underside of the appliance
- in the appliance pass



a Rating plate

9 STATEMENT OF LIMITED PRODUCT WARRANTY

9.1 What this warranty covers & Who it applies to

The limited warranty provided by BSH Home Appliances ("Thermador") in this Statement of Limited Product Warranty applies only to the Thermador appliance sold to you ("Product"), provided that the Product was purchased:

- For your normal, household (non-commercial) use, and has in fact at all times only been used for normal household purposes.
- New at retail from a BSH authorized dealer or directly from BSH (not a display, "as is", or previously returned model), and not for resale, or commercial use.
- Within the United States or Canada, and has at all times remained within the country of original purchase.

The warranties stated herein apply to the original purchaser of the product warranted herein and to each succeeding owner of the product purchased for ordinary home use during the term of the warranty.

Please make sure to register your Product; while not necessary to effectuate warranty coverage, it is the best way for Thermador to notify you in the unlikely event of a safety notice or product recall.

9.2 How long the warranty lasts

Thermador warrants that the Product is free from defects in materials and workmanship for a period of seven hundred and thirty (730) days from the date of the original delivery. The foregoing timeline begins to run upon the date of original delivery, and shall not be stalled, tolled, extended, or suspended, for any reason whatsoever. This Product is also warranted to be free from **cosmetic** defects in material and workmanship (such as scratches of stainless steel, paint/porcelain blemishes, chips, dents, or other damage to the finish) of the Product, for a period of sixty (60) days from the date of delivery or closing date for new construction. This **cosmetic** warranty excludes slight color variations due to inherent differences in painted and porcelain parts, as well as differences caused by kitchen lighting, product location, or other similar factors. This **cosmetic** warranty specifically excludes any display, floor, "As Is", or "B" stock appliances.

9.3 Repair/replace as your exclusive remedy

During this warranty period, Thermador or one of its authorized service providers will repair your Product without charge to you (subject to certain limitations stated herein) if your Product proves to have been manufactured with a defect in materials or workmanship. If reasonable attempts to repair the Product have been made without success, then Thermador will replace your Product (upgraded models may be available to you, in Thermador's sole discretion, for an additional charge). Nothing in this warranty requires damaged or defective parts to be replaced with parts of a different type or design than the original part. All removed parts and components shall become the property of Thermador at its sole option. All replaced and/or re-

paired parts shall assume the identity of the original part for purposes of this warranty and this warranty shall not be extended with respect to such parts. Thermador's sole liability and responsibility hereunder is to repair manufacturer-defective Product only, using a Thermador authorized service provider during normal business hours. For safety and property damage concerns, Thermador highly recommends that you do not attempt to repair the Product yourself, or use a non-authorized service provider; Thermador will have no responsibility or liability for damage resulting from repairs or work performed by a non-authorized service provider. Authorized service providers are those persons or companies that have been specially trained on Thermador products, and who possess, in Thermador's opinion, a superior reputation for customer service and technical ability (note that they are independent entities and are not agents, partners, affiliates or representatives of Thermador). Nevertheless, taking your product to be serviced by a repair shop that is not affiliated with or an authorized dealer of Thermador will not void this warranty. Also, using third-party parts will not void this warranty. Notwithstanding the foregoing, Thermador will not incur any liability, or have responsibility, for the Product if it is located in a remote area (more than 100 miles from an authorized service provider) or is reasonably inaccessible, hazardous, threatening, or treacherous locale, surroundings, or environment; in any such event, if you request, Thermador would still pay for labor and parts and ship the parts to the nearest authorized service provider, but you would still be fully liable and responsible for any travel time or other special charges by the service company, assuming they agree to make the service call. Further, to the extent you have installed the Product in a difficult-to-access location or have otherwise installed temporary or permanent fixtures that create barriers to accessing or removing the Product, Thermador will not incur any liability for, or have responsibility, for work or costs associated with moving the Product or otherwise creating access to the Product in order to repair or replace it. All such costs shall be your sole responsibility.

9.4 Out of warranty product

Thermador is under no obligation, at law or otherwise, to provide you with any concessions, including repairs, prorates, or Product replacement, once this warranty has expired.

9.5 Warranty exclusions

The warranty coverage described herein excludes all defects or damage that are not the direct fault of Thermador, including without limitation, one or more of the following:

- Use of the Product in anything other than its normal, customary and intended manner (including without limitation, any form of commercial use, use or storage of an indoor product outdoors, use of the Product in conjunction with air or water-going vessels).
- Any party's willful misconduct, negligence, misuse, abuse, accidents, neglect, improper operation, failure to maintain, improper or negligent installation, tampering, failure to follow operating instructions, mishandling, unauthorized service (including selfperformed "fixing" or exploration of the appliance's internal workings).
- Adjustment, alteration or modification of any kind.

- A failure to comply with any applicable state, local, city, or county electrical, plumbing and/or building codes, regulations, or laws, including failure to install the product in strict conformity with local fire and building codes and regulations.
- Ordinary wear and tear, spills of food, liquid, grease accumulations, or other substances that accumulate on, in, or around the Product.
- Any external, elemental and/or environmental forces and factors, including without limitation, rain, wind, sand, floods, fires, mud slides, freezing temperatures, excessive moisture or extended exposure to humidity, lightning, power surges, structural failures surrounding the appliance, and acts of God.
- Service calls to correct the installation of your Product, to instruct you how to use your Product, to replace house fuses or correct house wiring or plumbing.
- Removal and replacement of trim or decorative panels that interfere with servicing the Product.
- Damage or defects caused by labor or parts installed by any non-authorized service provider, unless approved by Thermador before service is performed.

In no event shall Thermador have any liability or responsibility whatsoever for damage to surrounding property, including cabinetry, floors, ceilings, and other structures or objects around the Product. Also excluded from this warranty are Products, on which the serial numbers have been altered, defaced, or removed; service visits to teach you how to use the Product, or visits where there is nothing wrong with the Product; correction of installation problems (you are solely responsible for any structure and setting for the Product, including all electrical, plumbing or other connecting facilities, for proper foundation/flooring, and for any alterations including without limitation cabinetry, walls, floors, shelving, etc.); and resetting of breakers or fuses

TO THE EXTENT ALLOWED BY LAW, THIS WARRANTY SETS OUT YOUR EXCLUSIVE REMEDIES WITH RESPECT TO PRODUCT, WHETHER THE CLAIM ARISES IN CONTRACT OR TORT (INCLUDING STRICT LIABILITY, OR NEGLIGENCE) OR OTHERWISE. THIS WARRANTY IS IN LIEU OF ALL OTHER WARRANTIES, WHETHER EXPRESS OR IMPLIED. ANY WARRANTY IMPLIED BY LAW, WHETHER FOR MERCHANTABILITY OR FITNESS FOR A PARTICULAR PURPOSE, OR OTHERWISE, SHALL BE EFFECTIVE ONLY FOR THE PERIOD THAT THIS EXPRESS LIMITED WARRANTY IS EFFECTIVE. IN NO EVENT WILL THE MANUFACTURER BE LIABLE FOR CONSEQUENTIAL, SPECIAL, INCIDENTAL, INDIRECT, "BUSINESS LOSS", AND/OR PUNITIVE DAMAGES, LOSSES, OR EXPENSES, INCLUDING WITHOUT LIMITATION TIME AWAY FROM WORK, HOTELS AND/OR RESTAURANT MEALS, REMODELLING EXPENSES IN EXCESS OF DIRECT DAMAGES WHICH ARE DEFINITELY CAUSED EXCLUSIVELY BY THERMADOR, OR OTHERWISE. SOME STATES DO NOT ALLOW THE EXCLUSION OR LIMITATION OF INCIDENTAL OR CONSEQUENTIAL DAMAGES, AND SOME STATES DO NOT ALLOW LIMITATIONS ON HOW LONG AN IMPLIED WARRANTY LASTS, SO THE ABOVE EXCLUSIONS OR LIMITATIONS MAY NOT APPLY TO YOU. THIS WARRANTY GIVES YOU SPECIFIC LEGAL RIGHTS, AND YOU MAY ALSO HAVE OTHER RIGHTS WHICH VARY FROM STATE TO STATE.

No attempt to alter, modify or amend this warranty shall be effective unless authorized in writing by an officer of BSH.

9.6 Obtaining warranty service

To obtain warranty service for your product, you should contact Thermador Customer Support at 1-800-735-4328 to schedule a repair.

9.7 Product information

For handy reference, copy the information below from the rating plate. Keep your invoice and/or delivery documents for warranty validation.

Model number (E-Nr.)
Production number (FD)
Date of delivery

Table des matières

1 IMPORTANTES CONSIGNES DE SÉCURITÉ	17
1.1 Définitions des termes de sécurité	17
1.2 Indications générales	17
1.3 Utilisation prévue	17
1.4 Restriction sur le groupe d'utilisateurs.....	17
1.5 Utilisation sécuritaire	17
1.6 Sécurité des enfants	20
1.7 Installation et entretien appropriés	21
1.8 Mises en garde conformément à la proposition 65 de l'État de Californie	21
2 Prévenir les dommages matériels	22
2.1 Vue d'ensemble des types de dommages les plus courants	22
3 Protection de l'environnement et économies	22
3.1 Mise au rebut de l'emballage	22
3.2 Économiser de l'énergie.....	22
4 Description de l'appareil	24
4.1 Panneau de commande	24
4.2 Zones de cuisson.....	24
5 Fonctionnement.....	25
5.1 Réglage du niveau de puissance	25
5.2 Éteindre la zone de cuisson	25
5.3 Utilisation de la zone de cuisson double.....	25
5.4 Utilisation de la zone de cuisson triple	25
5.5 Utilisation de la zone de pont	25
5.6 Paramètres de cuisson recommandés	25
6 Nettoyage et entretien	26
6.1 Produits de nettoyage	26
6.2 Nettoyage de la table de cuisson vitrocéramique	26
6.3 Nettoyage du cadre de la table de cuisson.....	27
6.4 Recommandations en matière de nettoyage	27
6.5 Entretien	28
7 Élimination	28
7.1 Éliminer un appareil usagé.....	28
8 Service à la clientèle.....	28
8.1 Numéro de modèle (E-Nr.) et numéro de fabrication (FD)	28
8.2 Emplacement de la plaque signalétique	28
9 ÉNONCÉ DE LA GARANTIE LIMITÉE DU PRODUIT.....	29
9.1 Couverture de la garantie limitée.....	29
9.2 Durée de la garantie.....	29
9.3 Réparation ou remplacement : votre recours exclusif.....	29
9.4 Produit hors garantie.....	30
9.5 Exclusions de garantie	30
9.6 Obtention du service de garantie.....	30
9.7 Information sur le produit	30



IMPORTANTES CONSIGNES DE SÉCURITÉ

LIRE ET CONSERVER CES INSTRUCTIONS

Lisez toutes les instructions attentivement avant l'utilisation. Ces précautions réduiront le risque d'électrocution, d'incendie et de blessure pour les personnes utilisant l'appareil. Lorsque vous utilisez des appareils électroménagers, il importe de suivre les précautions de sécurité de base, y compris celles indiquées dans les pages suivantes.

1.1 Définitions des termes de sécurité

Vous trouverez ici des explications sur les mots de signalisation de sécurité utilisés dans ce manuel.

AVERTISSEMENT

Signale un risque de mort ou de blessure grave si l'avertissement n'est pas respecté.

MISE EN GARDE

Signale un risque de blessures mineures ou modérées si l'avertissement n'est pas respecté.

AVIS :

Ceci indique que la non-conformité à cet avis de sécurité peut entraîner des dégâts matériels ou endommager l'appareil.

Remarque : Ceci vous signale des informations et/ou indications importantes.

1.2 Indications générales

- Lisez attentivement cette notice.
- Conservez les notices, la carte de l'appareil ainsi que les informations produit en vue d'une réutilisation ultérieure ou pour un futur nouveau propriétaire.
- Ne branchez pas l'appareil si ce dernier a été endommagé durant le transport.

1.3 Utilisation prévue

Seul un électricien qualifié peut brancher des appareils sans prise. Le fabricant n'est pas responsable des dommages causés par des connexions incorrectes. Veuillez consulter la déclaration de garantie limitée du produit → *Page 29*.

Utilisez uniquement cet appareil :

- pour préparer des aliments et des boissons.
- sous surveillance. Surveillez constamment les processus de cuisson de courte durée.

- dans un domicile privé et dans une pièce fermée de l'environnement domestique.
- jusqu'à une altitude de 6,560 pi (2000 m) au-dessus du niveau de la mer.

N'utilisez pas l'appareil :

- Cet appareil n'est pas conçu pour fonctionner avec une horloge programmatrice externe ou une télécommande.

1.4 Restriction sur le groupe d'utilisateurs

Cet appareil n'est pas destiné à être utilisé par des personnes (y compris des enfants) présentant des capacités physiques, sensorielles ou mentales réduites, à moins qu'elles n'aient été informées de la manière d'utiliser l'appareil par une personne responsable de leur sécurité.

Lorsque les enfants sont assez âgés pour utiliser l'appareil, il incombe aux parents ou tuteurs légaux de veiller à ce qu'ils soient formés aux pratiques sécuritaires par des personnes qualifiées.

Les enfants doivent être surveillés afin de s'assurer qu'ils ne jouent pas avec l'appareil.

Ne laissez pas les enfants jouer avec l'appareil.

1.5 Utilisation sécuritaire

AVERTISSEMENT

Lorsqu'il est correctement entretenu, votre nouvel appareil a été conçu pour être sûr et fiable.

- ▶ Lisez toutes les instructions attentivement avant l'utilisation. Ces consignes réduiront le risque de brûlure, d'électrocution, d'incendie et de blessure pour les personnes utilisant l'appareil.
- ▶ Lorsque vous utilisez des appareils électroménagers, il importe de suivre les précautions de sécurité de base, y compris celles indiquées dans les pages suivantes.

AVERTISSEMENT

Les matériaux surchauffés peuvent provoquer un incendie ou des brûlures.

- ▶ Ne laissez pas de papier d'aluminium, du plastique, du papier ou du tissu entrer en contact avec un élément de surface chaud, un brûleur ou une grille.
- ▶ Ne laissez pas les casseroles bouillir à sec.



IMPORTANTES CONSIGNES DE SÉCURITÉ

LIRE ET CONSERVER CES INSTRUCTIONS

La cuisson sans surveillance sur une table de cuisson avec de la graisse ou de l'huile peut être dangereuse et peut provoquer un incendie.

- ▶ Ne laissez pas la table de cuisson sans surveillance lors de son utilisation.

Un incendie pourrait se produire pendant la cuisson.

- ▶ Toujours avoir un détecteur de fumée en état de marche près de la cuisine.
- ▶ Prière d'avoir à portée de main un extincteur d'incendie en bon état de marche, placé visiblement près de l'appareil électroménager et facile d'accès.

Si la table de cuisson est près d'une fenêtre, d'une ventilation à air forcé ou d'un ventilateur, assurez-vous que les matériaux inflammables tels que les couvre-fenêtres ne soufflent pas sur ou près des brûleurs ou des éléments chauffants. Ils pourraient prendre feu.

Les incendies de cuisson peuvent se propager s'ils ne s'éteignent pas correctement.

- ▶ Ne jamais utiliser d'eau sur les feux de cuisson.

AVERTISSEMENT

POUR RÉDUIRE LE RISQUE D'UN FEU DE GRAISSE

- ▶ Ne laissez jamais les unités de surface sans surveillance à des réglages élevés - Les débordements provoquent de la fumée et des débordements graisseux qui peuvent s'enflammer. Chauffez l'huile lentement à feu doux ou moyen.
- ▶ Mettez toujours la hotte en marche lorsque vous cuisinez à feu vif ou lorsque vous flambez des aliments (c.-à-d. Crêpes Suzette, cerise Jubilee, bœuf au poivre flambé).
- ▶ Utilisez une taille de casserole appropriée. Toujours utiliser des ustensiles de cuisson adaptés à la taille de l'élément de surface.
- ▶ Ne flambez jamais sous la hotte aspirante et ne travaillez jamais avec une flamme nue. Une hotte aspirante en marche aspire les flammes dans le filtre. Les dépôts de graisse sur les filtre risquent alors de s'enflammer!

Des flammes peuvent être aspirées dans le système de ventilation.

- ▶ Dans la mesure du possible, ne mettez pas en marche le système de ventilation pendant un feu de table de cuisson. Toutefois, ne passez pas la main à travers le feu pour l'éteindre.

Les poignées des ustensiles de cuisine doivent être tournées vers l'intérieur et ne pas s'étendre sur les unités de surface adjacentes.

- ▶ Pour réduire le risque de brûlures, d'inflammation de matériaux inflammables et de déversements dus à un contact involontaire avec l'ustensiles de cuisine, la poignée d'un ustensile doit être positionnée de manière à ce qu'il soit tourné vers l'intérieur et ne dépasse pas les unités de surface adjacentes. Pour réduire le risque de brûlures, d'inflammation de matériaux inflammables et de déversements dus à un contact involontaire avec l'ustensile, la poignée d'un ustensiles de cuisine doit être positionnée de manière à ce qu'il soit tourné vers l'intérieur et ne dépasse pas les unités de surface adjacentes.

Portez des vêtements appropriés. Les vêtements amples ou suspendus, tels que les cravates, les foulards, les bijoux ou les manches pendantes, ne doivent jamais être portés lors de l'utilisation de l'appareil.

- ▶ Attachez les cheveux longs pour qu'ils ne pendent pas.
- ▶ Fixez tous les vêtements amples, etc. avant de commencer.

Utilisez la bonne taille de casserole - Cet appareil est équipé d'une ou plusieurs unités de surface de différentes tailles.

- ▶ Sélectionnez des ustensiles de cuisine à fond plat suffisamment grand pour couvrir la zone de cuisson de l'unité de surface.
- ▶ L'utilisation d'ustensiles de cuisine sous-dimensionnés exposera une partie de la zone de cuisson à un contact direct et peut entraîner l'inflammation des vêtements. Une bonne relation entre les ustensiles de cuisine et la zone de cuisson améliorera également l'efficacité.

Les débordements peuvent provoquer de la fumée et certains aliments et huiles peuvent prendre feu s'ils sont laissés sur des réglages de température élevée.

- ▶ Lorsque vous utilisez une minuterie, surveillez toujours la table de cuisson.
- ▶ Ne laissez rien bouillir ou brûler.

MISE EN GARDE

Le processus de cuisson doit être supervisé. Un processus de cuisson à court terme doit être supervisé en continu.



IMPORTANTES CONSIGNES DE SÉCURITÉ

LIRE ET CONSERVER CES INSTRUCTIONS

AVERTISSEMENT

Pour éviter tout risque d'incendie, ne stockez pas d'articles sur les surfaces de cuisson.

Si des vêtements ou des cheveux s'enflamment, rouler par terre immédiatement pour éteindre les flammes.

N'utilisez pas d'eau sur les feux de graisse.

- ▶ Étouffer le feu ou la flamme ou utiliser un extincteur à sec chimique ou à mousse.

AVERTISSEMENT

Utiliser seulement des maniques sèches - Des maniques mouillées ou humides sur des surfaces chaudes peuvent entraîner en brûlures de vapeur.

- ▶ Ne laissez pas les maniques toucher les éléments chauffants chauds.
- ▶ N'utilisez pas de serviette ou autre chiffon volumineux. L'huile chaude peut causer des brûlures et des blessures extrêmes.
- ▶ Utiliser les réglages de température élevée sur la table de cuisson, seulement si nécessaire.
- ▶ Pour éviter les bouillons et les éclaboussures, chauffer l'huile lentement à une température qui ne dépasse pas le réglage faible-moyen.
- ▶ Ne jamais déplacer un récipient rempli d'huile chaude, surtout une friteuse. Attendre qu'elle refroidisse.

Les déversements d'aliments chauds peuvent provoquer des brûlures.

- ▶ Tenir la poignée de la casserole en mélangeant ou en retournant l'aliment. Cela aide à prévenir les éclaboussures et les mouvements de la casserole.

NE PAS TOUCHER LES UNITÉS DE SURFACE OU LES ZONES À PROXIMITÉ DES UNITÉS. Les éléments de surface peuvent être chauds, même s'ils sont foncés. Les zones à proximité des éléments peuvent devenir suffisamment chaudes pour causer des brûlures.

- ▶ Pendant et après l'utilisation, ne touchez pas et ne laissez pas les vêtements, les maniques ou autres matériaux inflammables entrer en contact avec les unités de surface ou les zones proches des unités avant d'avoir suffisamment de temps pour refroidir. Parmi ces zones se trouvent la table de cuisson et les zones faisant face à la table de cuisson.

Nettoyez la table de cuisson avec prudence.

- ▶ Si une éponge ou un chiffon humide est utilisé pour essuyer les déversements sur une zone de cuisson chaude, veillez à ne pas brûler à la vapeur.

- ▶ Certains nettoyeurs dégagent des fumées nocives lorsqu'ils sont appliqués sur une surface chaude.
- ▶ Ne pas nettoyer l'appareil pendant qu'il est encore chaud.

AVERTISSEMENT

Stockage dans ou sur l'appareil - L'utilisation de produits chimiques corrosifs dans le chauffage ou le nettoyage endommagera l'appareil et pourrait entraîner des blessures.

- ▶ Les matériaux inflammables, les produits chimiques corrosifs, les vapeurs ou les produits non alimentaires ne doivent pas être stockés ou utilisés dans un four ou sur ou près des unités de surface.
 - ▶ L'appareil est spécialement conçu pour être utilisé lors du chauffage ou de la cuisson des aliments.
- Cet appareil électroménager est conçu uniquement pour un usage domestique habituel.
- ▶ Il n'est pas approuvé pour une utilisation en extérieur.
 - ▶ Consultez l'énoncé de garantie limitée de produit. Pour toute question, veillez à communiquer avec le fabricant.

AVERTISSEMENT

L'utilisation de cet appareil autrement que pour son utilisation prévue peut provoquer un incendie ou des blessures corporelles.

- ▶ N'utilisez cet appareil que pour l'usage auquel il est destiné, comme décrit dans ce manuel.
 - ▶ N'utilisez JAMAIS vos appareils comme appareil de chauffage pour réchauffer ou chauffer la pièce. Cela pourrait entraîner un rayonnement thermique excessif et provoquer un incendie.
 - ▶ N'utilisez jamais l'appareil pour le stockage.
- AVERTISSEMENT - POUR RÉDUIRE LE RISQUE DE BLESSURE AUX PERSONNES EN CAS D'INCENDIE DE GRAISSE, RESPECTEZ CE QUI SUIT.**
- ▶ **FLAMMES PLUS DOUCES** avec un ajustement serré du couvercle, plaque à biscuits ou plateau métallique, puis éteignez le brûleur. **FAIRE ATTENTION AUX BRÛLURES.** Si les flammes ne s'éteignent pas immédiatement, **ÉVACUEZ ET APPELEZ LE SERVICE D'INCENDIE.**
 - ▶ **NE JAMAIS PRENDRE UNE POÊLE A FLAMBER** - vous pourriez vous pourriez être brûlé.
 - ▶ **NE PAS UTILISER D'EAU**, y compris des torchons ou des serviettes mouillés, cela provoquerait une violente explosion de vapeur.



IMPORTANTES CONSIGNES DE SÉCURITÉ

LIRE ET CONSERVER CES INSTRUCTIONS

- ▶ Utilisez un extincteur **UNIQUEMENT** si :
 - Vous savez que vous avez un extincteur de classe ABC, et vous savez déjà comment le faire fonctionner.
 - L'incendie est petit et contenu dans la zone où il a commencé.
 - Si vous avez appelé les pompiers.
 - Vous pouvez combattre l'incendie en gardant le dos tourné vers la sortie.

Ne chauffez pas et ne réchauffez pas des récipients non ouverts. L'accumulation de pression peut faire exploser le contenant et provoquer des blessures.

Le liquide entre la base de pot et la table de cuisson peut augmenter la pression de vapeur. Cela pourrait faire sauter le pot soudainement et causer des blessures.

- ▶ Gardez toujours la table de cuisson et les bases des casseroles sèches.

Lors de la cuisson au bain-marie, la table de cuisson et le récipient de cuisson peuvent se fissurer en raison d'une surchauffe.

- ▶ Le plat de cuisson du bain-marie ne peut entrer en contact direct avec le fond de la casserole remplie d'eau chaude.
- ▶ N'utiliser que des ustensiles de cuisson résistants à la chaleur.

Le fait de ne pas utiliser correctement les boutons peut entraîner des blessures corporelles et des dommages à l'appareil.

Ustensiles de cuisson vitrés - Seuls certains types de verre, verre/céramique, de céramique, de faïence ou d'autres ustensiles vitrés conviennent à la table de cuisson ou au service de cuisinière sans se casser en raison du changement soudain de température.

- ▶ N'utiliser que des casseroles adaptées aux surfaces de céramique.
- ▶ Les ustensiles de cuisson qui ne sont pas approuvés pour une utilisation sur des tables de cuisson en vitrocéramique risquent de se fendre sous l'effet de brusques changements de température.

AVERTISSEMENT

L'humidité qui pénètre peut occasionner une électrocution.

- ▶ N'utilisez pas de nettoyeur haute pression ou de nettoyer à vapeur pour nettoyer l'appareil.

AVERTISSEMENT

Si la surface est fissurée, éteindre l'appareil pour éviter tout risque de choc électrique.

Ne pas cuire sur une surface de cuisson cassée - Si la surface de cuisson se brise, les solutions de nettoyage et les débordements peuvent pénétrer dans la surface de cuisson cassée et créer un risque de choc électrique.

- ▶ Contactez immédiatement un fournisseur de services agréé.

1.6 Sécurité des enfants

Cet appareil n'est pas destiné à être utilisé par des personnes (y compris des enfants) présentant des capacités physiques, sensorielles ou mentales réduites, à moins qu'elles n'aient été informées de la manière d'utiliser l'appareil par une personne responsable de leur sécurité.

Lorsque les enfants sont assez âgés pour utiliser l'appareil, il incombe aux parents ou tuteurs légaux de veiller à ce qu'ils soient formés aux pratiques sécuritaires par des personnes qualifiées.

AVERTISSEMENT

Ne pas permettre aux enfants d'utiliser cet appareil électroménager à moins d'être étroitement surveillés par un adulte.

- ▶ Les enfants et les animaux domestiques ne doivent pas être laissés seuls ou sans surveillance à un endroit où un appareil électroménager est utilisé. Ils ne doivent jamais jouer à proximité, que l'appareil soit utilisé ou non.

Ne pas laisser quiconque monter, se tenir debout, se pencher, s'asseoir ou se suspendre sur une partie quelconque de l'appareil électroménager, principalement une porte, un tiroir chauffant ou un tiroir de rangement.

- ▶ Cela peut endommager l'appareil et l'appareil peut basculer et provoquer des blessures graves.

Ne laissez pas les enfants jouer avec l'appareil.

MISE EN GARDE

Ne rangez pas d'articles d'intérêt pour les enfants dans des armoires au-dessus d'un appareil ou sur la protection arrière d'un appareil. Les enfants qui essaient de monter sur un appareil électroménager pour atteindre ces articles pourraient être gravement blessés.

Ne laissez pas les enfants seuls.

- ▶ Les enfants ne doivent pas être laissés seuls ou sans surveillance à un endroit où un appareil électroménager est utilisé.



IMPORTANTES CONSIGNES DE SÉCURITÉ

LIRE ET CONSERVER CES INSTRUCTIONS

- ▶ Les enfants ne doivent jamais s'asseoir ou rester debout sur une partie quelconque de l'appareil.

AVERTISSEMENT

Pour éviter tout risque d'étouffement :

- ▶ Ne jamais laisser les enfants jouer avec le matériel d'emballage.

1.7 Installation et entretien appropriés

AVERTISSEMENT

En cas de dysfonctionnement, il peut s'avérer nécessaire de couper l'alimentation.

- ▶ Demandez à l'installateur de vous montrer le disjoncteur ou le fusible. Identifiez sa position pour pouvoir le retrouver facilement.

Pour éviter les risques d'électrocution, avant de réparer l'appareil, coupez l'alimentation au niveau du panneau de service et verrouillez le panneau pour éviter que l'alimentation ne soit accidentellement activée.

Installation correcte - Une installation ou une mise à la terre incorrecte peut provoquer un choc électrique.

- ▶ L'appareil doit être correctement installé et mis à la terre par un technicien qualifié.
- ▶ Raccordez l'appareil uniquement à une prise de courant correctement mise à la terre.
- ▶ Reportez-vous aux instructions d'installation pour plus de détails.

Entretien par l'utilisateur - Ne réparez ni ne remplacez aucune pièce de l'appareil à moins que ce ne soit spécifiquement recommandé dans ce manuel.

- ▶ Tous les autres services doivent être référés à un fournisseur de services agréé.

Si le cordon d'alimentation est endommagé, il doit être remplacé par le fabricant, son fournisseur de services agréé ou des personnes qualifiées similaires afin d'éviter tout danger.

AVERTISSEMENT

Les dysfonctionnements peuvent provoquer des blessures.

- ▶ Ne pas utiliser cet appareil électroménager s'il ne fonctionne pas correctement ou s'il a été endommagé. Contactez un prestataire de services agréé.

1.8 Mises en garde conformément à la proposition 65 de l'État de Californie

Ce produit pourrait contenir un produit chimique reconnu par l'État de la Californie comme cancérigène ou ayant des effets nocifs sur la reproduction. Par conséquent, vous pourriez devoir apposer l'étiquette suivante sur l'emballage du produit comme requis par la Californie :

AVERTISSEMENT ISSUE DE LA PROPOSITION 65 DE L'ÉTAT DE LA CALIFORNIE :



AVERTISSEMENT

Cancer et dommages à la reproduction -
www.P65Warnings.ca.gov

2 Prévenir les dommages matériels

AVIS :

Les plats de cuisson dont le dessous est rugueux peuvent rayer la surface en vitrocéramique.

- ▶ Vérifiez le fond de l'ustensile avant de le poser. Du sel, du sucre ou des grains de sable rayent la surface de la vitrocéramique.
- ▶ Ne jamais utiliser la table de cuisson comme surface de travail ou pour y déposer des objets.

Une surchauffe peut endommager la batterie de cuisine ou l'appareil.

- ▶ Ne chauffez pas de casseroles ou de poêles vides et ne laissez pas les ustensiles de cuisine bouillir à sec.

Les ustensiles de cuisson chauds peuvent provoquer une surchauffe des composants électroniques.

- ▶ Ne posez jamais de poêles et de casseroles chaudes sur le panneau de commande ou le cadre de la table de cuisson.

Lorsque des objets durs ou pointus tombent sur la table de cuisson, ils peuvent l'endommager.

- ▶ Ne laissez pas d'objets durs ou pointus tomber sur la table de cuisson.

Les matériaux non résistants à la chaleur fondront sur les zones de cuisson chauffées.

- ▶ N'utilisez pas de film protecteur pour le four.
- ▶ N'utilisez pas de papier d'aluminium ou de récipients en plastique.

Des agents de nettoyage inappropriés peuvent provoquer des décolorations métalliques chatoyantes sur la surface vitrocéramique.

- ▶ Reportez-vous aux recommandations de nettoyage de ce manuel.

→ "Nettoyage et entretien", Page 26

2.1 Vue d'ensemble des types de dommages les plus courants

Vous trouverez ici un aperçu des types de dommages les plus courants et des suggestions pour les éviter.

Taches

Cause	Solution
Éclaboussure de nourriture	Retirez immédiatement les éclaboussures de nourriture à l'aide d'un grattoir à verre.
Produits de nettoyage inappropriés	Utilisez des agents de nettoyage adaptés aux tables de cuisson en vitrocéramique.

Rayures

Cause	Solution
Sel, sucre et sable	N'utilisez pas la table de cuisson comme surface de travail ou espace de rangement.
Ustensiles de cuisine à fond rugueux	Vérifiez la batterie de cuisine.

Décolorations

Cause	Solution
Produits de nettoyage inappropriés	Utilisez des agents de nettoyage adaptés aux tables de cuisson en vitrocéramique.

Cause	Solution
Abrasion de casserole (par ex. Aluminium)	Soulevez les casseroles et les poêles lorsque vous les déplacez.

Cloques

Cause	Solution
Sucre, aliment à haute teneur en sucre	Retirez immédiatement les éclaboussures de nourriture à l'aide d'un grattoir à verre.

3 Protection de l'environnement et économies

3.1 Mise au rebut de l'emballage

Les matériaux d'emballage sont écologiques et recyclables.

- ▶ Veuillez éliminer les pièces détachées après les avoir triées par matières.

3.2 Économiser de l'énergie

Si vous suivez ces conseils, votre appareil consomme moins d'énergie.

Choisissez des ustensiles de cuisine dont le diamètre de base correspond à la zone de cuisson. Centrez la casserole sur la zone de cuisson.

Conseil : Pour les poêles à frire, les fabricants d'ustensiles de cuisine indiquent généralement le diamètre supérieur de la batterie de cuisine. Le diamètre de la base de la casserole est généralement plus petit.

- ✓ L'énergie est destinée à la batterie de cuisine. Si vous utilisez des ustensiles de cuisine trop petits, vous gaspillez de l'énergie. Si la batterie de cuisine est trop grande, beaucoup d'énergie est utilisée pour chauffer la batterie de cuisine.

Fermez la casserole avec un couvercle approprié.

- ✓ Cuire sans couvercle consomme plus d'énergie.

Ne soulevez le couvercle que si nécessaire.

- ✓ Si vous soulevez le couvercle, beaucoup d'énergie peut s'échapper.

Utilisez un couvercle en verre.

- ✓ Si vous utilisez un couvercle en verre, vous pouvez regarder à l'intérieur de l'ustensile sans soulever le couvercle.

Utiliser des ustensiles de cuisson à base solide plate.

- ✓ Les bases incurvées des ustensiles de cuisine augmentent la consommation d'énergie.

Utilisez une taille d'ustensile qui correspond à la quantité d'aliments que vous souhaitez cuire.

- ✓ Les gros ustensiles de cuisine avec peu de contenu consomment beaucoup d'énergie.

Faites cuire avec un peu d'eau.

- ✓ Plus d'eau nécessite plus d'énergie pour la chauffer.

Sélectionnez un niveau de puissance inférieur dès que possible. Sélectionnez un niveau de puissance adapté pour poursuivre la cuisson.

- ✓ Pour une cuisson en cours, un niveau de puissance inférieur est suffisant.

Utilisez la chaleur résiduelle de la zone de cuisson. Pour des temps de cuisson plus longs, éteignez la zone de cuisson 5 à 10 minutes avant la fin du temps de cuisson.

- ✓ La chaleur résiduelle non utilisée augmente la consommation d'énergie.

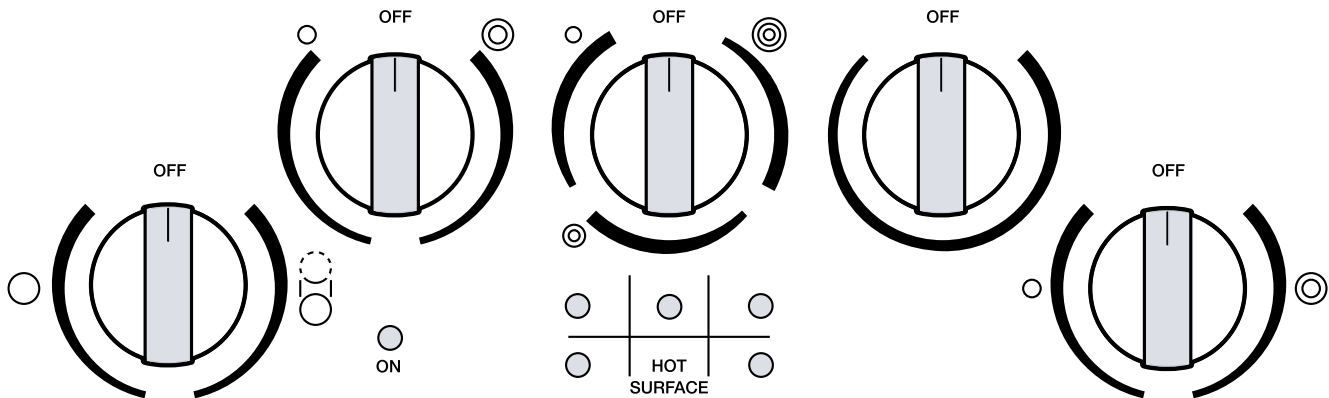
4 Description de l'appareil

Ce manuel couvre plusieurs modèles. Votre modèle peut avoir certaines des caractéristiques répertoriées, mais pas toutes.

4.1 Panneau de commande

Le bandeau de commande vous permet de configurer toutes les fonctions de votre appareil et d'obtenir des informations sur son état de fonctionnement.

L'image du panneau de commande est représentative. Votre appareil peut être légèrement différent.



Positions des boutons

Le bandeau de commande vous permet de configurer toutes les fonctions de votre appareil et d'obtenir des informations sur son état de fonctionnement.

Position du bouton	Fonction
Off	Zone de cuisson désactivée
Segments circulaires	Les niveaux de puissance peuvent être réglés en continu. <ul style="list-style-type: none"> ■ Niveau de puissance le plus bas = extrémité fine du segment de cercle ■ Niveau de puissance le plus élevé = extrémité épaisse du segment circulaire

AVIS :

Gardez toujours les boutons de commande propres et secs. L'humidité et la saleté peuvent affecter le fonctionnement.

Indicateurs de zone de cuisson et de chaleur résiduelle

Lorsque vous allumez une zone de cuisson, le voyant **ON** ci-dessus s'allume. Les voyants des différentes zones de cuisson s'allument lorsqu'une zone de cuisson est chaude.

Témoin	Signification
○	La table de cuisson est allumée
ON	La zone de cuisson est allumée
○ ○ ○ ○ ○ ○ ○ ○	La zone de cuisson est allumée La zone de cuisson est éteinte et la chaleur résiduelle est présente

4.2 Zones de cuisson

Vous trouverez ici un aperçu des zones de cuisson disponibles sur votre table de cuisson. Placez l'ustensile sur la zone de cuisson qui correspond le mieux à sa taille.

Reportez-vous à l'aperçu des modèles et des dimensions. → Page 2

Symbol e	Zone de cuisson	Fonction
○	Une zone de cuisson	Une seule taille de zone de cuisson est disponible.
◎	Zone de cuisson double	Deux tailles de zones de cuisson sont disponibles. → "Utilisation de la zone de cuisson double", Page 25
◎◎	Zone de cuisson triple	Trois tailles de zones de cuisson sont disponibles. → "Utilisation de la zone de cuisson triple", Page 25
⊖	Zone de pont	La zone de pont combine deux zones de cuisson à une longue zone de plaque chauffante. → "Utilisation de la zone de pont", Page 25

Remarque : N'utilisez pas un ustensile de cuisson de taille supérieure à 17 x 10 po (430 x 250 mm).

Remarque

La zone de cuisson régule la température en allumant et en éteignant le chauffage. Le chauffage peut également s'allumer et s'éteindre lorsqu'il est au niveau de puissance le plus élevé.

- Cela protège les composants de la surchauffe.
- L'appareil est protégé contre les surcharges électriques.
- De meilleurs résultats de cuisson sont obtenus.

5 Fonctionnement

Vous trouverez ici tout ce que vous devez savoir sur le fonctionnement de votre appareil.

5.1 Réglage du niveau de puissance

Réglez le niveau de puissance de la zone de cuisson avec les boutons de commande.

- ▶ Appuyez et tournez le bouton de commande jusqu'au niveau de puissance souhaité.
- ✓ L'indicateur sur **ON** s'allume.
- ✓ Lorsque la zone de cuisson devient chaude, l'indicateur de la zone de cuisson sélectionnée s'allume.

5.2 Éteindre la zone de cuisson

- ▶ Tournez le bouton de commande sur **OFF**.
- ✓ Le voyant de la zone de cuisson reste allumé jusqu'à ce que la zone de cuisson se soit refroidie.
- ✓ Lorsque toutes les zones de cuisson sont éteintes, l'indicateur ci-dessus **ON** s'éteint. La table de cuisson est éteinte.

5.3 Utilisation de la zone de cuisson double

1. Pour utiliser les deux anneaux de la double zone de cuisson, poussez et tournez le bouton de commande le long du segment de cercle marqué d'un ☉.
2. Pour n'utiliser que l'anneau intérieur de la zone de cuisson double, poussez et tournez le bouton de commande le long du segment de cercle marqué d'un ○.

5.4 Utilisation de la zone de cuisson triple

1. Pour utiliser les trois anneaux de la zone de cuisson triple, poussez et tournez le bouton de commande le long du segment de cercle marqué d'un ☉.
2. Pour utiliser les deux anneaux intérieurs de la triple zone de cuisson, poussez et tournez le bouton de commande le long du segment de cercle marqué d'un ☉.
3. Pour n'utiliser que l'anneau intérieur de la zone de cuisson triple, poussez et tournez le bouton de commande le long du segment de cercle marqué d'un ○.

5.5 Utilisation de la zone de pont

La zone de pont relie deux zones de cuisson individuelles à une longue zone de plaque chauffante. Cette configuration convient parfaitement aux plaques à frire ou aux grands plats de cuisson.

1. Pour utiliser la zone de pont comme zones de cuisson individuelles :

- Poussez et tournez le bouton de commande le long du segment de cercle marqué par ○.
2. Pour utiliser la zone de cuisson avant et le segment de pont pour créer une zone de cuisson oblongue :
 - Poussez et tournez le bouton de commande le long du segment de cercle marqué par ☉.
 3. Pour utiliser toute la zone de pont :
 - Poussez et tournez le bouton de commande de la zone de cuisson avant gauche le long du segment de cercle marqué d'un ☉.
 - Poussez et tournez le bouton de commande de la zone de cuisson arrière gauche le long du segment de cercle marqué d'un ☉.
 - Tournez les deux boutons de commande à peu près dans la même position pour obtenir un chauffage uniforme.
 - Tournez les boutons de commande sur différents niveaux de puissance pour créer deux zones de chaleur différentes dans votre poêle, par ex. pour saisir et mijoter.

5.6 Paramètres de cuisson recommandés

Vous trouverez ici des recommandations sur la cuisson et un aperçu de différents plats avec des niveaux de chaleur appropriés.

- Sélectionnez le niveau de puissance le plus élevé pour l'ébullition ou la première friture.
- Brassez les liquides épais occasionnellement.
- Les aliments qui doivent être poêlés rapidement, ou les aliments qui perdent beaucoup de liquide au cours de la friture initiale, devraient normalement être poêlés en petites portions.

Tableaux de cuisson

Le tableau de cuisson indique le niveau de puissance adapté à chaque type d'aliment. Le temps de cuisson peut varier en fonction du type, du poids, de l'épaisseur et de la qualité des aliments.

Le niveau de puissance pour la cuisson continue dépend du type de batterie de cuisine que vous utilisez.

⚠ MISE EN GARDE

Les ragoûts ou les liquides peuvent chauffer très rapidement pendant la cuisson et peuvent déborder ou éclabousser, par ex. soupes, sauces ou boissons.

- ▶ Remuez en permanence.
- ▶ Faites chauffer les aliments à un niveau de puissance approprié.

Fondre

Type d'aliment	Niveau de puissance
Chocolat	bas
Beurre	bas

Chauffer

Légumes congelés, p. ex., épinards	bas à moyen-bas
Bouillon	moyen à moyen-haut
Soupe épaisse	bas
Lait ¹	bas

¹ Cuisinez sans couvercle

Mijoter

Sauce délicate, p. ex. Sauce béchamel	moyen-bas à moyen
Sauce à spaghetti	bas à moyen-bas
Bœuf braisé	moyen-bas à moyen
Poisson ¹	moyen-bas à moyen

¹ Cuisson continue sans couvercle

Cuisiner

Riz, avec le double de la quantité d'eau	moyen-bas
Pommes de terre bouillies dans leur peau, avec 1 à 2 tasses d'eau	moyen-bas à moyen
Pommes de terre bouillies avec 1 à 2 tasses d'eau	moyen-bas à moyen
Légumes frais avec 1 à 2 tasses d'eau	moyen-bas à moyen
Légumes congelés avec 1 à 2 tasses d'eau	moyen-bas à moyen
Pâtes avec 2 à 4 pintes d'eau ¹	moyen-bas à moyen
Pouding ²	bas
Céréales	moyen-bas

¹ Cuisson continue sans couvercle

² Cuisinez sans couvercle

Frيره

Côtelette de porc ¹	moyen
Poitrine de poulet ¹	moyen-bas à moyen
Bacon	moyen
Œufs	moyen-bas à moyen
Poisson	moyen-bas à moyen
Crêpes	moyen

¹ Retournez les aliments plusieurs fois.

Grande friture de gras

Frيره dans 1 à 2 pinte huile sans couvercle.

Produits alimentaires surgelés, p. ex., croquettes de poulet (0,5 lb par portion)	moyen-haut à haut
Autres, p. ex., beignes (0,5 lb par portion)	moyen

6 Nettoyage et entretien

Pour que votre appareil reste longtemps opérationnel, nettoyez-le et entretenez-le avec soin.

6.1 Produits de nettoyage

Vous pouvez acheter des nettoyeurs et des grattoirs à verre appropriés auprès du service à la clientèle ou dans notre boutique en ligne www.thermador.com/us/accessories.

Conseil : Les produits de nettoyage Thermador ont été testés et approuvés pour être utilisés sur les appareils Thermador. La recommandation d'autres produits de nettoyage ne signifie pas que nous cautionnons une marque en particulier.

Produits de nettoyage recommandés

- Nettoyeur pour table de cuisson vitrocéramique
- Thermador agent nettoyant table de cuisson en verre
- BonAmi®¹
- Soft Scrub®¹ (sans javellisant)
- Vinaigre blanc

Produits de nettoyage inappropriés

- Les produits de nettoyage pour les vitres qui contiennent de l'ammoniaque ou un agent de blanchiment au chlore. Ces nettoyeurs peuvent endommager ou tacher de façon permanente la table de cuisson.
- Les produits de nettoyage caustiques, tel Easy Off®¹. Ces nettoyeurs peuvent tacher la surface de cuisson.
- Produits de nettoyage abrasifs.
- Les tampons métalliques, les tampons à récurer, tel Scotch Brite®¹. Ces nettoyeurs peuvent rayer la surface de cuisson et / ou laisser des marques métalliques.
- La tampons à récurer savonneux, tel SOS®¹. Ces nettoyeurs peuvent rayer la surface de cuisson.
- Les produits de nettoyage en poudre contenant un agent de blanchiment au chlore. Ces nettoyeurs peuvent tacher de façon permanente la surface de cuisson.
- Les produits de nettoyage inflammables, tels que de l'essence à briquet ou WD 40®¹.

6.2 Nettoyage de la table de cuisson vitrocéramique**⚠ AVERTISSEMENT**

Nettoyez la table de cuisson avec prudence.

- ▶ Si une éponge ou un chiffon humide est utilisé pour essuyer les déversements sur une zone de cuisson chaude, veillez à ne pas brûler à la vapeur.
- ▶ Certains nettoyeurs dégagent des fumées nocives lorsqu'ils sont appliqués sur une surface chaude.
- ▶ Ne pas nettoyer l'appareil pendant qu'il est encore chaud.

¹ Ces marques sont des marques déposées de leurs propriétaires respectifs. Toutes les autres marques sont des marques de BSH Home Appliances Corporation ou ses sociétés affiliées.

⚠ MISE EN GARDE

N'utilisez aucun type de nettoyant sur la vitre lorsque la surface est chaude; utilisez uniquement le grattoir à verre. Les émanations qui s'en dégagent peuvent être dangereuses pour la santé. Chauffer le produit nettoyant peut chimiquement attaquer et endommager la surface.

Exigence

- La table de cuisson a refroidi.
 - Exception : Retirez immédiatement le sucre sec, le sirop de sucre, le lait et les produits à base de tomates et le film ou le papier d'aluminium fondu à l'aide du grattoir à verre.
→ "Recommandations en matière de nettoyage", Page 27
1. Essuyez les éclaboussures avec une éponge propre et humide ou une serviette en papier.
 2. Rincez et séchez.
 3. Si une tache persiste, utilisez du vinaigre blanc.
 4. Rincer et sécher à nouveau.
 5. Appliquez une petite quantité de nettoyant pour table de cuisson avec une serviette en papier ou un chiffon propre et laissez sécher.
 6. Polissez la surface avec une serviette en papier ou un chiffon propre.

6.3 Nettoyage du cadre de la table de cuisson

Pour les modèles avec un cadre en métal, suivez ces instructions de nettoyage.

Remarques

- Essuyez le cadre de la table de cuisson dans le sens du grain.
 - Pour les sols modérés à lourds, utilisez BonAmi®¹ ou Soft Scrub®¹ (sans javelisant).
1. Essuyez avec une éponge ou un chiffon humide.
 2. Rincez et séchez.

6.4 Recommandations en matière de nettoyage

Suivez ces instructions de nettoyage pour éliminer les salissures courantes.

⚠ AVERTISSEMENT

La lame du grattoir à verre est extrêmement tranchante. Vous pouvez vous couper.

- ▶ Remplacez la lame immédiatement, lorsque vous voyez des imperfections.
- ▶ Suivre les instructions du fabricant.

AVIS :

Les bagues en diamant peuvent rayer la surface de cuisson en céramique.

- ▶ Retirez tous les bagues avant de nettoyer la surface de cuisson en céramique.

Type de tache	Recommandations
<ul style="list-style-type: none"> ■ Sucre sec ■ Sirop de sucre ■ Lait ■ Taches de tomates ■ Feuille ou pellicule de plastique fondu 	<p>RETIREZ IMMÉDIATEMENT. Le fait de ne pas éliminer ces substances immédiatement peut endommager définitivement la surface de cuisson en céramique. Retirez la saleté avec le grattoir à verre pendant que la surface de cuisson est encore chaude. Utilisez un nouveau rasoir tranchant dans le grattoir à verre.</p> <ul style="list-style-type: none"> ■ Retirez la batterie de cuisine et éteignez la zone de cuisson. ■ Mettez un gant de cuisine. ■ Tenez le grattoir à verre à un angle de 30° et grattez le saleté. Veillez à ne pas entailler ou rayer la surface en vitrocéramique. ■ Retirer la tache de la zone chauffée. ■ Laissez refroidir la surface. ■ Retirez les résidus et appliquez un nettoyant pour table de cuisson en vitrocéramique.
<ul style="list-style-type: none"> ■ Tache alimentaire brûlé ■ Stries sombres ■ Taches sombres 	<ul style="list-style-type: none"> ■ Posez une serviette en papier humide ou une éponge sur le sol pendant 30 minutes pour ramollir la tache. ■ Enlevez la saleté avec un épurateur en plastique et un nettoyant pour table de cuisson en vitrocéramique ou avec le grattoir à verre. ■ Rincez la surface de cuisson et séchez-la.
Éclaboussures graisseuses	<ul style="list-style-type: none"> ■ Retirez la graisse avec une éponge ou un chiffon savonneux. ■ Rincez soigneusement la surface de cuisson et séchez-la. ■ Appliquez le produit de nettoyage pour table de cuisson en vitrocéramique.

¹ Ces marques sont des marques déposées de leurs propriétaires respectifs. Toutes les autres marques sont des marques de BSH Home Appliances Corporation ou ses sociétés affiliées.

¹ Ces marques sont des marques déposées de leurs propriétaires respectifs. Toutes les autres marques sont des marques de BSH Home Appliances Corporation ou ses sociétés affiliées.

Type de tache	Recommandations
Traces métalliques : tache iridescente	<p>Les casseroles dont la base est en aluminium, en cuivre ou en acier inoxydable peuvent laisser des traces.</p> <p>Traitez les marques de métal immédiatement après le refroidissement de la surface de cuisson. Le non-respect de cette consigne rend le retrait très difficile.</p> <ul style="list-style-type: none"> Nettoyez la surface de cuisson avec un nettoyant pour table de cuisson vitrocéramique. Si cela ne supprime pas les marques, nettoyez la surface de cuisson avec une serviette en papier humide et un abrasif doux (Bon Ami¹, Soft Scrub^{®1} sans javellisant). Rincer la surface de cuisson et appliquer un nettoyant pour vitrocéramique.
Taches d'eau calcaire	<p>Des liquides de cuisson chauds peuvent s'égoutter ou se renverser sur la surface de cuisson. Les minéraux de certaines eaux peuvent être transférés sur la surface de la table de cuisson et provoquer des taches.</p> <p>Éliminer les débordements et les taches avant de réutiliser la table de cuisson.</p> <ul style="list-style-type: none"> Nettoyez la surface de cuisson avec du vinaigre blanc non dilué. Rincez la surface de cuisson et séchez-la. Appliquez le produit de nettoyage pour table de cuisson en vitrocéramique.
Rayures sur la surface	<p>Les petites rayures sont courantes et n'affectent pas la cuisson. Elles deviennent plus lisses et moins visibles avec l'usage quotidien du produit de nettoyage pour table de cuisson en vitrocéramique.</p> <ul style="list-style-type: none"> Appliquez un nettoyant pour table de cuisson vitrocéramique avant la cuisson. pour éliminer les grains de sable et les gravillons tels que le sel et les assaisonnements. Il est possible de réduire les rayures en utilisant des casseroles dont la base est lisse, propre et sèche avant de les utiliser. Utiliser tous les

¹ Ces marques sont des marques déposées de leurs propriétaires respectifs. Toutes les autres marques sont des marques de BSH Home Appliances Corporation ou ses sociétés affiliées.

Type de tache	Recommandations
	<p>jours le produit de nettoyage pour table de cuisson en vitrocéramique.</p>
	<p>¹ Ces marques sont des marques déposées de leurs propriétaires respectifs. Toutes les autres marques sont des marques de BSH Home Appliances Corporation ou ses sociétés affiliées.</p>

6.5 Entretien

Cet appareil ne nécessite aucun entretien autre que le nettoyage quotidien.
Pour de meilleurs résultats, appliquez quotidiennement de la crème nettoyante pour table de cuisson.

7 Élimination

7.1 Éliminer un appareil usagé

L'élimination dans le respect de l'environnement permet de récupérer de précieuses matières premières.

- Éliminez l'appareil dans le respect de l'environnement.
Pour connaître les circuits d'élimination actuels, veuillez vous adresser à votre revendeur ou à votre administration municipale.

8 Service à la clientèle

Lors de toute réparation réalisée dans le cadre de la garantie, nous nous assurons que votre appareil est réparé avec des pièces de rechange d'origine par un technicien dûment formé et agréé. Nous utilisons exclusivement des pièces de rechange d'origine lors des réparations.

Pour plus d'informations sur la durée et les conditions de la garantie dans votre pays, consultez nos modalités de garantie auprès de votre détaillant ou sur notre site Web. Si vous contactez le service à la clientèle, indiquez le numéro de modèle (E-Nr.) et le numéro de fabrication (FD) de l'appareil.

USA:
1-800-735-4328
www.thermador.com/support
www.store.thermador.com/us
CA:
1-800-735-4328
www.thermador.ca

8.1 Numéro de modèle (E-Nr.) et numéro de fabrication (FD)

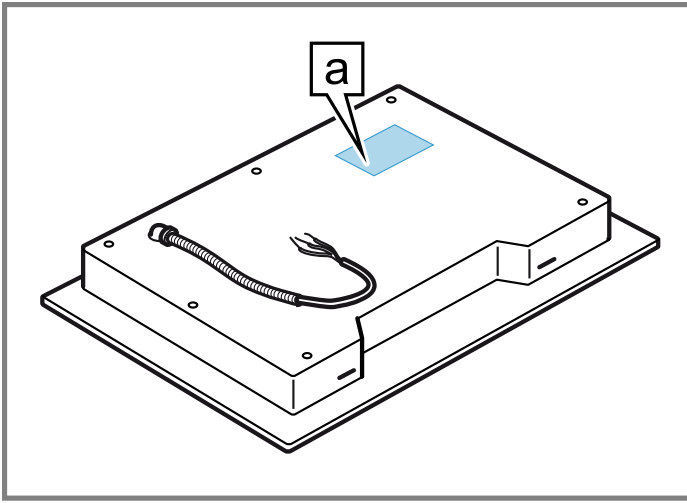
Le numéro de modèle (E-Nr.) et le numéro de fabrication (FD) sont indiqués sur la plaque signalétique de l'appareil. Pour retrouver rapidement les données de votre appareil et le numéro de téléphone du service à la clientèle, n'hésitez pas à les recopier ailleurs.

8.2 Emplacement de la plaque signalétique

Vous trouverez la plaque signalétique de votre appareil :

- sur la face inférieure de l'appareil

- sur le ticket de l'appareil



a Plaque signalétique

9 ÉNONCÉ DE LA GARANTIE LIMITÉE DU PRODUIT

9.1 Couverture de la garantie limitée

La garantie limitée fournie par BSH Home Appliances (« Thermador ») dans cet énoncé de garantie limitée s'applique seulement à l'appareil Thermador qui vous a été vendu (« Produit »), pour autant que le produit ait été acheté :

- Pour une utilisation normale résidentielle (non commerciale), et qu'il a été utilisé en tout temps pour un usage domestique normal.
- Neuf au détail auprès d'un revendeur agréé BSH ou directement auprès de BSH (pas un présentoir, « tel quel », ou un modèle précédemment retourné), et non destiné à la revente ou à un usage commercial.
- Aux États-Unis ou au Canada et qu'il est demeuré en tout temps dans son pays d'achat.

Les garanties aux présentes s'appliquent à l'acheteur original du produit sous garantie et à tout propriétaire successif du produit acheté pour une utilisation résidentielle habituelle et la durée de la garantie. Assurez-vous d'enregistrer votre produit ; Bien qu'il ne soit pas nécessaire pour appliquer la garantie, c'est le meilleur moyen pour Thermador de vous informer dans le cas peu probable d'un avis de sécurité ou d'un rappel de produit.

9.2 Durée de la garantie

Thermador garantit que le produit est exempt de défaut de matériau et de fabrication pour une période de sept cent trente (730) jours à compter de la date de livraison. La période susmentionnée commence à partir de la date de livraison et ne doit pas être retenue, retardée, prolongée, ou interrompue pour une raison quelconque. Ce Produit est également garanti exempt de défauts **cosmétiques** de matériaux et de fabrication (tels que des rayures sur l'acier inoxydable, des taches de peinture/porcelaine, des éclats, des bosses ou d'autres dommages à la finition) du Produit, pendant une période de soixante (60) jours à compter de la date de livraison ou de la date de clôture pour une nouvelle construction. La présente garantie **cosmétique**

exclut les variations légères de couleur causées par les différences inhérentes entre les sections peintes et les sections en porcelaine, de même que les différences causées par l'éclairage de la cuisine, l'emplacement du produit et autres facteurs similaires. La présente garantie **cosmétique** exclut spécifiquement tous les appareils en montre, de plancher, « tel quel » et remis à neuf.

9.3 Réparation ou remplacement : votre recours exclusif

Pendant cette période de garantie, Thermador ou l'un de ses centres de réparations autorisés réparera gratuitement votre Produit (sous réserve de certaines restrictions aux présentes) si celui-ci présente des défauts de matériels ou de fabrication. Si des tentatives raisonnables pour réparer le produit sont vaines, alors Thermador remplacera le produit (un modèle supérieur peut être offert, à la seule discrétion de Thermador, moyennant des frais supplémentaires). Rien dans cette garantie n'exige que les pièces endommagées ou défectueuses soient remplacées par des pièces d'un type ou d'une conception différent de la pièce d'origine. Toutes les pièces ou les composants enlevés demeurent la seule propriété de Thermador. Toute pièce remplacée ou réparée doit être identique à la pièce d'origine aux fins de la présente garantie et la garantie ne sera pas prolongée en regard de telles pièces. La seule responsabilité de Thermador, en vertu des présentes, se limite à la réparation des produits défectueux au départ de l'usine, par le biais d'un fournisseur de services agréé Thermador pendant les heures de travail normales. Pour des raisons de sécurité et de dommages matériels, Thermador vous recommande fortement de ne pas essayer de réparer le produit vous-même ou de faire appel à un fournisseur de services non autorisé ; Thermador n'assume aucune responsabilité pour les dommages résultant de réparations ou de travaux effectués par un fournisseur de services non autorisé. Les centres de réparation autorisés sont les personnes ou les entreprises qui ont été spécialement formées sur les produits Thermador et qui possèdent, selon l'opinion de Thermador, une réputation supérieure pour le service après-vente et la capacité technique (il est à noter qu'elles sont des entités indépendantes et non des agents, partenaires, affiliés ou représentants de Thermador). Néanmoins, le fait de confier l'entretien de votre produit à un atelier de réparation qui n'est pas affilié à Thermador ou à un revendeur agréé de Thermador n'annulera pas cette garantie. De plus, l'utilisation de pièces tierces n'annulera pas cette garantie. Nonobstant ce qui suit, Thermador ne sera pas tenue responsable d'aucune façon si le produit est situé dans une région éloignée (supérieure à 100 miles d'un centre de réparation autorisé) ou n'est pas accessible de façon raisonnable, dans un environnement ou un local dangereux, menaçant ou périlleux; dans une telle éventualité, à la demande du consommateur, Thermador pourrait encore payer les frais de main-d'œuvre et de pièces et expédier les pièces au centre de réparation autorisé le plus près, mais le consommateur serait entièrement responsable pour tous les frais de déplacement et autres frais spéciaux encourus par le centre de réparation, en autant qu'il accepte la demande de réparation. De plus, dans la mesure où vous avez installé le produit dans un endroit difficile d'accès ou avez autrement installé des installations temporaires ou permanentes qui créent des obstacles à l'accès ou au retrait du produit, Thermador n'encourra aucune

responsabilité ou n'aura aucune responsabilité pour les travaux ou les coûts associés au déplacement du Produit ou à la création d'un accès au Produit afin de le réparer ou de le remplacer. Tous ces frais seront à votre charge exclusive.

9.4 Produit hors garantie

Thermador n'a aucune obligation, aux termes de la loi ou autrement, d'offrir toute concession, incluant réparation, prorata ou remplacement de produit une fois la garantie expirée.

9.5 Exclusions de garantie

La couverture de garantie décrite dans les présentes exclut tous les défauts ou dommages pour lesquels Thermador serait directement imputable, y compris, sans s'y limiter, l'un ou plusieurs des cas suivants :

- Utilisation du produit autre qu'un usage normal, habituel et de la façon destinée (incluant, sans s'y limiter, toute forme d'utilisation commerciale, d'utilisation ou de rangement d'un produit pour l'intérieur à l'extérieur, d'utilisation du produit de concert avec un transporteur aérien ou marin).
- Mauvaise conduite de toute partie, négligence, mauvaise utilisation, abus, accidents, fonctionnement inadéquat, mauvais entretien, installation inadéquate ou négligente, altération, manquement d'observer les instructions de fonctionnement, mauvaise manipulation, service non autorisé (incluant réparation par le consommateur ou exploration du fonctionnement interne du produit).
- Réglage, modification ou altération de tout type.
- Non conformité aux normes fédérales, provinciales, municipales ou électriques en vigueur au pays, aux codes de plomberie ou du bâtiment, aux réglementations ou aux lois, incluant le non respect d'installer le produit en stricte conformité avec les codes et les réglementations du bâtiment et d'incendie locaux.
- Bris et usure normaux, déversements d'aliments ou de liquides, accumulations de graisse ou d'autres substances dans, sur ou autour du Produit.
- Toute force ou tout facteur externe, élémentaire et / ou environnemental, incluant sans limitation, la pluie, le vent, le sable, les inondations, les incendies, les coulées de boue, le gel, l'humidité excessive ou l'exposition prolongée à l'humidité, la foudre, les surtensions, les problèmes de structure autour de l'appareil et les désastres naturels.
- Demandes de service visant à corriger l'installation de votre Produit, à obtenir des conseils à propos de son utilisation, à remplacer les fusibles de votre maison ou à réparer l'installation électrique ou la plomberie de votre foyer.
- Retrait et remplacement de la garniture ou des panneaux de décoration qui entravent l'entretien du produit.
- Dommages ou défauts résultant de la main-d'œuvre ou de pièces installées par un centre de réparation non autorisé, à moins d'être approuvé par Thermador avant de procéder à sa réparation.

En aucun cas, Thermador ne sera tenue responsable de dommages survenus à la propriété environnantes, incluant les armoires, les planchers, les plafonds et les autres objets ou structures situés autour du produit. Également exclus de la garantie sont les Produits dont les numéros de série ont été modifiés, effacés ou enlevés;les

demandes de réparations pour enseigner le fonctionnement du Produit ou les visites où il n'y a aucun problème avec le produit; la correction de problèmes d'installation (le consommateur est seul responsable pour toute structure et tout réglage du Produit, incluant l'électricité, la plomberie et les autres raccordements nécessaires, pour une fondation / plancher approprié[e], et pour toute modification incluant, sans limitation, armoires, murs, planchers, tablettes, etc.) et le réenclenchement de disjoncteurs ou le remplacement de fusibles.

DANS LA MESURE AUTORISÉE PAR LOI, LA PRÉSENTE GARANTIE PRÉCISE LES RECOURS EXCLUSIFS DONT VOUS DISEPOSEZ À L'ÉGARD DU PRODUIT, QUE LA DEMANDE SOIT FONDÉE SUR UN CONTRAT OU DÉLIT (Y COMPRIS RESPONSABILITÉ ABSOLUE OU NÉGLIGENCE) OU AUTRE. LA PRÉSENTE GARANTIE REMPLACE TOUTES LES AUTRES GARANTIES, EXPRESSES OU IMPLICITES. TOUTES GARANTIES IMPLICITES AUX TERMES DE LA LOI, QUE SE SOIT LES GARANTIES DE QUALITÉ MARCHANDE OU D'APTITUDE À UN USAGE PARTICULIER, OU AUTRES, SONT LIMITÉES DANS LE TEMPS À LA DURÉE DE CETTE GARANTIE LIMITÉE EXPRESSE. LE FABRICANT NE SERA EN AUCUN CAS RESPONSABLE DE DOMMAGES CONSÉCUTIFS, SPÉCIAUX, ACCESSOIRES, INDIRECTS OU DE « PERTES COMMERCIALES » ET / OU DE DOMMAGES PUNITIFS, DE PERTES OU DE DÉPENSES, Y COMPRIS SANS S'Y LIMITER, ABSENCE DU TRAVAIL, FRAIS D'HÔTEL ET / OU FRAIS DE RESTAURANT, FRAIS DE REMANIEMENT EN EXCÉDENT DES DOMMAGES DIRECTS QUI SONT DÉFINITIVEMENT CAUSÉS EXCLUSIVEMENT PAR THERMADOR, OU AUTREMENT. CERTAINS ÉTATS N'AUTORISENT PAS L'EXCLUSION OU LA LIMITATION DE DOMMAGES ACCESSOIRES OU CONSÉCUTIFS, ET CERTAINS ÉTATS N'AUTORISENT PAS LA LIMITATION DE LA DURÉE DES GARANTIES IMPLICITES. PAR CONSÉQUENT, LES EXCLUSIONS OU LES LIMITES SUSMENTIONNÉES POURRAIENT NE PAS VOUS CONCERNER. LA PRÉSENTE GARANTIE VOUS DONNE DES DROITS PRÉCIS RECONNUS PAR LA LOI ET VOUS POUVEZ ÉGALEMENT AVOIR D'AUTRES DROITS QUI VARIENT D'UN ÉTAT À L'AUTRE. Aucune tentative de modifier, changer ou amender la présente garantie ne peut être valide sans le consentement écrit autorisé par un dirigeant de BSH.

9.6 Obtention du service de garantie

Pour obtenir le service de garantie de votre produit, vous devez contacter le service client de Thermador au 1-800-735-4328 pour planifier une réparation.

9.7 Information sur le produit

Pour référence pratique, copiez l'information ci-après de la plaque signalétique. Conservez votre facture et/ou vos documents de livraison pour la validation de la garantie.

Numéro de modèle
(E-Nr.)

Numéro de
fabrication (FD)

Date de livraison

Tabla de contenidos

1 INSTRUCCIONES DE SEGURIDAD IMPORTANTES.....	32
1.1 Definiciones de seguridad.....	32
1.2 Indicaciones generales.....	32
1.3 Uso previsto.....	32
1.4 Restricciones relativas a grupos de usuarios.....	32
1.5 Uso seguro.....	32
1.6 Seguridad infantil.....	35
1.7 Instalación y mantenimiento correctos.....	36
1.8 Advertencias en virtud de la Proposición 65 del estado de California.....	36
2 Prevención de daños materiales.....	37
2.1 Resumen de los tipos de daño más comunes.....	37
3 Protección del medio ambiente y ahorro.....	37
3.1 Consejos para la eliminación del embalaje.....	37
3.2 Ahorrar energía.....	37
4 Familiarizándose con el aparato.....	39
4.1 Panel de control.....	39
4.2 Zonas de cocción.....	39
5 Manejo.....	40
5.1 Ajuste del nivel de potencia.....	40
5.2 Apagar la zona de cocción.....	40
5.3 Uso de la zona de cocción doble.....	40
5.4 Uso de la zona de cocción triple.....	40
5.5 Uso de la zona de puente.....	40
5.6 Ajustes de cocción recomendados.....	40
6 Limpieza y cuidados.....	41
6.1 Productos de limpieza.....	41
6.2 Limpiar la placa de cocción vitrocerámica.....	41
6.3 Limpiar el marco de la placa de cocción.....	42
6.4 Recomendaciones de limpieza.....	42
6.5 Mantenimiento.....	43
7 Eliminación.....	43
7.1 Eliminación de los aparatos usados.....	43
8 Servicio de atención al cliente.....	43
8.1 Número de modelo (E-Nr.) y número de fabricación (FD).....	43
8.2 Ubicación de la placa de características del aparato.....	43
9 DECLARACIÓN DE GARANTÍA LIMITADA DEL PRODUCTO.....	44
9.1 Qué cubre esta garantía y a quiénes se aplica.....	44
9.2 Plazo de vigencia de la garantía.....	44
9.3 Reparación/Reemplazo como único recurso.....	44
9.4 Producto fuera de garantía.....	45
9.5 Exclusiones de la garantía.....	45
9.6 Obtener el servicio técnico de la garantía.....	46
9.7 Información del producto.....	46



INSTRUCCIONES DE SEGURIDAD IMPORTANTES

LEA Y CONSERVE ESTAS INSTRUCCIONES

Leer atentamente todas las instrucciones antes de proceder con el uso. Si se toman estas precauciones, se reducirán los riesgos de descargas eléctricas, incendios y lesiones personales. Al utilizar aparatos de cocina, se deben tomar precauciones de seguridad básicas, incluidas las que se detallan en las páginas siguientes.

1.1 Definiciones de seguridad

Aquí puede encontrar explicaciones de las palabras de señal de seguridad utilizadas en este manual.

ADVERTENCIA

Esto indica que pueden producirse la muerte o heridas graves si no se cumple con esta advertencia.

PRECAUCIÓN

Esto indica que pueden producirse heridas leves o moderadas si no se cumple con esta advertencia.

AVISO:

Esto indica que pueden producirse daños en el aparato o en los bienes si no se cumple con este aviso.

Nota: Esto alerta sobre información o sugerencias importantes.

1.2 Indicaciones generales

- Lea atentamente estas instrucciones.
- Conserve los manuales, el certificado de dispositivo y la información del producto para un uso posterior o para posibles compradores posteriores.
- El aparato no debe conectarse en caso de haber sufrido daños durante el transporte.

1.3 Uso previsto

Solo un electricista calificado puede conectar los aparatos sin los enchufes. El fabricante no es responsable de los daños que pueda causar una conexión incorrecta. Véase la declaración de garantía limitada del producto

→ *Página 44.*

Utilizar solo este aparato:

- para preparar bebidas y comidas.
- bajo la supervisión de una persona. Supervisar continuamente procesos de cocción breves.
- en el uso doméstico privado y en espacios cerrados del entorno doméstico.

- a una altura máxima sobre el nivel del mar de 6,560 pies (2000 m).

No utilizar el aparato para:

- Este aparato no está diseñado para su manejo con un reloj temporizador externo o un control remoto.

1.4 Restricciones relativas a grupos de usuarios

Este aparato no está diseñado para ser utilizado por personas (incluidos niños) con capacidades físicas, sensoriales o mentales reducidas, o falta de experiencia y conocimiento, a menos que sean supervisados o instruidos acerca del uso del aparato por una persona responsable de su seguridad.

Cuando los niños tienen la edad adecuada para utilizar el electrodoméstico, es responsabilidad de los padres o tutores legales asegurarse de que reciban las instrucciones sobre prácticas seguras por parte de personas calificadas.

Se debe vigilar a los niños para asegurarse de que no jueguen con el aparato.

No dejar que los niños jueguen con el aparato.

1.5 Uso seguro

ADVERTENCIA

Este aparato nuevo ha sido diseñado para ofrecer un uso seguro y confiable si recibe el cuidado adecuado.

- ▶ Leer atentamente todas las instrucciones antes de usarlo. Si se toman estas precauciones, se reducirán los riesgos de quemaduras, descarga eléctrica, incendios y lesiones personales.
- ▶ Al utilizar aparatos de cocina, se deben tomar precauciones de seguridad básicas, incluidas las que se detallan en las páginas siguientes.

ADVERTENCIA

Los materiales calentados en exceso pueden causar incendios o quemaduras.

- ▶ Es preciso evitar que materiales como el papel de aluminio, el plástico, el papel o los tejidos entren en contacto con un elemento superficial de calentamiento, con una parrilla o con una rejilla.
- ▶ No dejar hervir líquidos en recipientes hasta su evaporación completa.



INSTRUCCIONES DE SEGURIDAD IMPORTANTES

LEA Y CONSERVE ESTAS INSTRUCCIONES

Desatender el cocinado con grasas o aceites en una parrilla puede ser peligroso y podría causar un incendio.

- ▶ No dejar la parrilla desatendida durante su uso. Podría producirse un incendio durante la cocción.
- ▶ Se debe disponer en todo momento de un detector de humo en funcionamiento cerca de la cocina.
- ▶ Se debe tener a mano un extintor de incendios adecuado en un área fácilmente visible y accesible cerca del aparato.

Si la parrilla se encuentra cerca de una ventana, de un ventilador o de un sistema de ventilación forzada, es preciso asegurarse de que los materiales inflamables, como las cortinas y persianas de las ventanas, no puedan pasar por encima o cerca de los quemadores o los elementos de calentamiento; podrían prenderse fuego. Los incendios originados en la cocina pueden propagarse si no se extinguen correctamente.

- ▶ No se debe usar nunca agua para apagar incendios ocasionados al cocinar.

ADVERTENCIA

PARA REDUCIR EL RIESGO DE UN INCENDIO POR GRASA

- ▶ No desatender el aparato cuando se cocine a alta temperatura. Los derrames causan humo y se puede prender la grasa derramada. Calentar el aceite lentamente, con temperaturas bajas o medias.
- ▶ Encender SIEMPRE la campana al cocinar a altas temperaturas o al flambear alimentos (p. ej. crepes Suzette, postres de cereza y licor o ternera flambeada).
- ▶ Utilizar un sartén de tamaño adecuado. Utilizar siempre recipientes apropiados para el tamaño de la superficie.
- ▶ No se deben flambear alimentos bajo la campana extractora ni trabajar con una llama directa. Cuando está encendida, la campana extractora atrae las llamas hacia el filtro. Existe riesgo de incendio debido a la grasa acumulada en el filtro.

El sistema de ventilación podría absorber las llamas.

- ▶ Siempre que sea posible, evitar el uso del sistema de ventilación si se produce un incendio en la placa de cocción. No obstante, no se debe atravesar el fuego con la mano para intentar apagarlo.

Las asas de los recipientes para cocinar deben estar orientadas hacia el interior y no sobresalir por la superficie de unidades adyacentes.

- ▶ Para reducir el riesgo de quemaduras, la ignición de materiales inflamables o los derrames por un contacto no intencionado con los recipientes para cocinar, el mango de los recipientes para cocinar deben colocarse de manera que apunten hacia el interior y no se extiendan sobre unidades de superficie adyacentes.

Llevar ropa apropiada. No deben utilizarse nunca prendas holgadas ni sueltas (como corbatas, bufandas, joyas o prendas de manga ancha) al utilizar el aparato.

- ▶ Se recomienda recogerse el pelo largo para que no cuelgue suelto.
- ▶ Asegurar todas las prendas sueltas y similares antes de comenzar.

Utilizar recipientes de tamaño adecuado: este aparato está equipado con una o más unidades de superficie de diversos tamaños.

- ▶ Seleccionar recipientes para cocinar que tengan una base plana y que sean lo suficientemente grandes como para cubrir la superficie de la zona de cocción.
- ▶ Si se usan recipientes para cocinar de un tamaño inferior al adecuado, una parte de la zona de cocción quedará expuesta a posibles contactos y podría provocar la ignición de la ropa. Una adecuada relación de los recipientes para cocinar con respecto a la zona de cocción también contribuye a aumentar la eficiencia.

Los alimentos que se derramen pueden provocar humo; los alimentos y aceites podrían prenderse fuego si se dejan con un ajuste de temperatura elevado.

- ▶ Mantener supervisada la placa de cocción en todo momento si se usa un reloj avisador.
- ▶ No dejar que la comida hierva hasta derramarse o se queme.

PRECAUCIÓN

Es preciso supervisar el proceso de cocción. Un proceso de cocción corto debe ser supervisado en todo momento.

ADVERTENCIA

Para evitar el riesgo de incendio, no colocar ni dejar objetos en las superficies de cocción.

En caso de que se prenda fuego a la ropa o al pelo, es preciso rodar por el suelo inmediatamente para extinguir las llamas.



INSTRUCCIONES DE SEGURIDAD IMPORTANTES

LEA Y CONSERVE ESTAS INSTRUCCIONES

No usar agua para apagar fuegos causados por grasa.

- ▶ Sofocar el fuego o la llama, o usar un polvo químico o un extintor de espuma.

ADVERTENCIA

Utilizar solo guantes de cocina secos; los guantes húmedos o mojados sobre las superficies calientes pueden ocasionar quemaduras por vapor.

- ▶ No dejar que los guantes de cocina entren en contacto con resistencias que estén calientes.
- ▶ No usar toallas ni otros paños gruesos.

El aceite caliente puede causar quemaduras y lesiones de extrema gravedad.

- ▶ Usar los ajustes altos de temperatura en la placa de cocción solo cuando sea necesario.
- ▶ Para evitar que forme burbujas y que salpique, calentar el aceite lentamente en un ajuste no superior al medio-alto.
- ▶ No mover nunca un sartén con aceite caliente, sobre todo una freidora profunda. Esperar a que se enfríe.

Los derrames de alimentos calientes pueden causar quemaduras.

- ▶ Sostener el mango de el sartén al remover o al dar la vuelta a la comida. Esto ayuda a evitar derrames y que el sartén se mueva.

NO TOCAR LAS UNIDADES DE LA SUPERFICIE NI LAS ZONAS PRÓXIMAS. Las unidades de la superficie pueden seguir calientes aunque estén oscuras. Las zonas próximas a las unidades pueden estar lo suficientemente calientes como para provocar quemaduras.

- ▶ Durante, y después de usarse, no tocar ni dejar que prendas, agarra ollas u otros materiales inflamables entren en contacto con las unidades de la superficie o con las áreas circundantes hasta que haya transcurrido tiempo suficiente para que se enfríen. Entre estas áreas se incluyen la cubierta y las superficies frente a la cubierta.

Limpiar la placa de cocción con precaución.

- ▶ Si se usa una esponja o trapo húmedos para secar derrames en una zona de cocción caliente, es preciso hacerlo con cuidado para no quemarse con el vapor.
- ▶ Algunos limpiadores producen emanaciones tóxicas si se aplican en una superficie caliente.
- ▶ No limpiar el aparato cuando aún esté caliente.

ADVERTENCIA

Almacenamiento en el interior del aparato o sobre él: el uso de productos químicos corrosivos para el calentamiento o la limpieza podría deteriorar el aparato y causar lesiones personales.

- ▶ No deben guardarse ni usarse en el interior del horno ni tampoco sobre las unidades de superficie o en sus proximidades materiales inflamables, agentes químicos corrosivos, vapores o productos no alimentarios.
- ▶ El aparato está especialmente diseñado para calentar o cocinar alimentos.

Este aparato ha sido diseñado únicamente para un uso doméstico normal.

- ▶ No está aprobado para su uso en exteriores.
- ▶ Véase la declaración de garantía limitada del producto. En caso de duda, contactar con el fabricante.

ADVERTENCIA

El uso de este aparato para fines distintos de los previstos podría causar incendios o lesiones personales.

- ▶ Utilizar este aparato únicamente para el fin para el cual fue diseñado, según se describe en este manual.
- ▶ **NUNCA** utilizar los aparatos para calentar un espacio o una habitación. Hacer esto podría suponer una emisión excesiva de calor y, en última instancia, provocar un incendio.

- ▶ Nunca utilizar el aparato para almacenar objetos.

ADVERTENCIA: PARA REDUCIR EL RIESGO DE LESIONES PERSONALES EN CASO DE INCENDIO OCASIONADO POR GRASA, SEGUIR ESTAS INDICACIONES.

- ▶ **SOFOCAR LAS LLAMAS** con una tapa que ajuste correctamente, una charola para galletas u otra bandeja de metal; a continuación, apagar el quemador. **ASEGÚRESE DE PREVENIR LAS QUEMADURAS.** Si las llamas no se apagan de inmediato, **EVACUAR EL ÁREA Y LLAMAR A LOS BOMBEROS.**
- ▶ **NO LEVANTAR UN SARTÉN EN LLAMAS BAJO NINGÚN CONCEPTO;** hay riesgo de sufrir quemaduras.
- ▶ **NO UTILIZAR AGUA** ni trapos o toallas húmedos: podría producirse una explosión de vapor violenta.
- ▶ Se puede utilizar un extintor **SOLAMENTE SI SE CUMPLE LO SIGUIENTE:**
 - se conoce a ciencia cierta la disponibilidad de un extintor de la clase ABC y se conoce la forma de utilizarlo;



INSTRUCCIONES DE SEGURIDAD IMPORTANTES

LEA Y CONSERVE ESTAS INSTRUCCIONES

- el incendio es pequeño y se limita al área donde se originó;
- se ha avisado a los bomberos;
- es posible combatir el fuego con una vía de escape detrás de usted.

No se deben calentar ni templar envases de alimentos sin abrir. La acumulación de presión podría hacer que explote el envase y provocar lesiones.

Los líquidos atrapados entre la base del recipiente y la placa de cocción pueden generar vapor a presión, que podría provocar que el recipiente salga disparado y cause lesiones.

- ▶ Mantener siempre secas las placas de cocción y las bases de los recipientes.

Al cocinar al baño maría, la parrilla y el recipiente del cocción pueden quebrarse debido al sobrecalentamiento.

- ▶ El recipiente de cocción en el baño maría no puede entrar en contacto directo con la base del otro recipiente lleno de agua.
- ▶ Utilizar únicamente recipientes para cocinar resistentes al calor.

El manejo inadecuado de las perillas puede provocar lesiones personales y daños en el aparato.

Recipientes de cocina de vidrio: solo son adecuados para su uso en placas de cocción o placas de gas algunos tipos de utensilios de vidrio, vidrio y cerámica, cerámica, loza y otros materiales, puesto que existe un riesgo de rotura debido al cambio brusco de temperaturas.

- ▶ Utilizar solo sartenes que sean adecuados para parrillas vitrocerámicas.
- ▶ Los recipientes para cocinar no aprobados para su uso con parrillas vitrocerámicas podrían romperse con los cambios bruscos de temperatura.

ADVERTENCIA

La penetración de humedad puede causar una descarga eléctrica.

- ▶ No utilizar limpiadores por chorro de vapor ni de alta presión para limpiar el aparato.

ADVERTENCIA

Si la superficie está rajada, apague el aparato para evitar la posibilidad de descarga eléctrica.

No cocinar en una placa de cocción rota. Si la placa de cocción se rompe, las disoluciones de limpieza y los derrames podrían penetrar en la placa de cocción rota y provocar una descarga eléctrica.

- ▶ Ponerse en contacto inmediatamente con un técnico de servicio autorizado.

1.6 Seguridad infantil

Este aparato no está diseñado para ser utilizado por personas (incluidos niños) con capacidades físicas, sensoriales o mentales reducidas, o falta de experiencia y conocimiento, a menos que sean supervisados o instruidos acerca del uso del aparato por una persona responsable de su seguridad.

Cuando los niños tienen la edad adecuada para utilizar el electrodoméstico, es responsabilidad de los padres o tutores legales asegurarse de que reciban las instrucciones sobre prácticas seguras por parte de personas calificadas.

ADVERTENCIA

No permitir que los niños usen este aparato a menos que sean supervisados de cerca por un adulto.

- ▶ Los niños y las mascotas no deben dejarse solos o desatendidos en la zona donde el aparato esté en uso. No se les debe permitir nunca jugar en sus inmediaciones, independientemente de que el aparato esté o no en uso.

No se debe permitir que nadie se suba, se pare, se recline, se siente o se cuelgue de cualquier parte de un aparato, especialmente una puerta, cajón calentador o cajón para almacenamiento.

- ▶ Esto podría dañar el electrodoméstico y la unidad podría caerse, lo que podría causar lesiones graves.

No dejar que los niños jueguen con el aparato.

PRECAUCIÓN

No guardar artículos que puedan atraer la atención de los niños en gabinetes por encima de un aparato o en la parte trasera de un electrodoméstico. Si un niño trepa por un aparato para llegar a alguno de estos elementos, podría sufrir lesiones graves.

No dejar a los niños sin supervisión.

- ▶ No se debe dejar a los niños solos o desatendidos en la zona donde el aparato esté en uso.



INSTRUCCIONES DE SEGURIDAD IMPORTANTES

LEA Y CONSERVE ESTAS INSTRUCCIONES

- ▶ Nunca debe permitirse que se sienten ni se paren sobre ninguna parte del aparato.

ADVERTENCIA

Para evitar riesgo de sofocación:

- ▶ No dejar nunca que los niños jueguen con el material de empaque.

1.7 Instalación y mantenimiento correctos

ADVERTENCIA

En caso de funcionamiento erróneo, podría ser necesario desconectar el suministro eléctrico.

- ▶ Hay que solicitar al instalador que le muestre la ubicación del breaker del circuito o del fusible. Marcarla para recordarla más fácilmente.

Para evitar el peligro de descarga eléctrica, antes de realizar cualquier tipo de mantenimiento en el aparato, desconectar el suministro eléctrico en el panel de servicio y bloquear el panel para impedir que se conecte accidentalmente.

Instalación adecuada: una instalación o una puesta a tierra erróneas pueden causar descargas eléctricas.

- ▶ Este aparato debe ser correctamente instalado y puesto a tierra por un técnico calificado.
- ▶ Se debe conectar únicamente a una toma de corriente debidamente conectada a tierra.
- ▶ Para más detalles, consultar las instrucciones de instalación.

Mantenimiento por parte del usuario: No reparar ni modificar parte alguna del aparato a menos que se recomiende específicamente en este manual.

- ▶ Cualquier otra tarea de mantenimiento debe de ser efectuada por un proveedor de servicios de mantenimiento autorizado.

Si el cable de alimentación se ha dañado, debe de ser sustituido por el fabricante, un técnico de servicio autorizado o una persona con calificación similar para evitar riesgos.

ADVERTENCIA

Un funcionamiento erróneo puede causar lesiones.

- ▶ No utilizar este aparato si no funciona correctamente o si ha sufrido daños; ponerse en contacto con un profesional autorizado.

1.8 Advertencias en virtud de la Proposición 65 del estado de California

Este producto puede contener un químico que el Estado de California reconoce como potencialmente cancerígeno o causante de daños reproductivos. Por tanto, su producto debe llevar en su embalaje la siguiente etiqueta de conformidad con la legislación de California:

ADVERTENCIA EN VIRTUD DE LA PROPOSICIÓN 65 DEL ESTADO DE CALIFORNIA:

⚠ ADVERTENCIA

Cáncer y daño reproductivo - www.P65Warnings.ca.gov

2 Prevención de daños materiales

AVISO:

Los recipientes para cocinar con bases rugosas pueden arañar la superficie vitrocerámica.

► Comprobar el fondo del recipiente antes de colocarlo. La sal, el azúcar o los granos de arena pueden arañar la superficie vitrocerámica.

► No usar nunca la parrilla como superficie de trabajo ni para apoyar objetos.

Un calentamiento excesivo puede dañar los recipientes de cocción o el aparato.

► No calentar cazuelas o sartenes vacíos ni dejar hervir líquidos en recipientes para cocinar hasta su evaporación completa.

Los recipientes demasiado calientes pueden hacer que se recaliente el sistema electrónico.

► No colocar nunca sartenes y ollas calientes sobre el panel de control o en el bastidor de la parrilla.

Los objetos duros o afilados pueden causar daños al caer sobre la parrilla.

► No dejar que caigan objetos duros o afilados sobre la parrilla.

Los materiales no resistentes al calor se derretirán en las zonas de cocción calentadas.

► No utilizar papel protector para horno.

► No utilizar papel de aluminio ni recipientes de plástico.

Los productos de limpieza no apropiados pueden producir decoloraciones metálicas brillantes en la superficie vitrocerámica.

► Consultar las recomendaciones de limpieza en este manual.

→ "Limpieza y cuidados", Página 41

2.1 Resumen de los tipos de daño más comunes

Aquí se incluye un resumen de los tipos de daños más comunes y sugerencias relativas a cómo prevenirlos.

Manchas

Causa	Solución
Alimentos derramados	Retirar inmediatamente los alimentos derramados con un raspador de vidrio.
Productos de limpieza no apropiados	Utilizar productos de limpieza apropiados para parrillas vitrocerámicas.

Arañazos

Causa	Solución
Sal, azúcar y arena	No utilizar la parrilla como superficie de trabajo o espacio de almacenamiento.
Recipientes de cocción con bases rugosas	Comprobar los recipientes de cocción.

Decoloraciones

Causa	Solución
Productos de limpieza no apropiados	Utilizar productos de limpieza apropiados para parrillas vitrocerámicas.

Causa	Solución
Abrasión de recipientes (p. ej. aluminio)	Elevar las cazuelas y los sartenes al removerlas.

Burbujas

Causa	Solución
Azúcar, alimentos con un alto contenido en azúcares	Retirar inmediatamente los alimentos derramados con un raspador de vidrio.

3 Protección del medio ambiente y ahorro

3.1 Consejos para la eliminación del embalaje

Todos los materiales del embalaje son ecológicos y reciclables.

► Desechar los diferentes materiales separados según su naturaleza.

3.2 Ahorrar energía

Si se siguen estos consejos, el aparato consumirá menos energía.

Seleccionar recipientes para cocinar con un diámetro base que se ajuste a la zona de cocción. Centrar el recipiente para cocinar en la zona de cocción.

Consejo Para sartenes, los fabricantes de recipientes para cocinar suelen indicar en ellos el diámetro superior. El diámetro de la base del sartén suele ser un poco más pequeño.

✓ La energía está adaptada a cada recipiente para cocinar.
Si se usa un recipiente para cocinar muy pequeño, se desperdicia energía; si se usa un recipiente para cocinar demasiado grande, es necesaria mucha energía para calentarlo.

Usar recipientes para cocinar con tapaderas apropiadas.

✓ Cocinar sin tapa consume más energía.

Levantar la tapa solamente cuando sea necesario.

✓ Al levantar la tapa, se escapa una gran cantidad de energía.

Utilizar una tapa de vidrio.

✓ Al utilizar una tapa de vidrio, se puede ver el interior del recipiente para cocinar sin tener que levantarla.

Utilizar recipientes para cocinar de base sólida y lisa.

✓ El consumo de energía aumenta si se usan recipientes de base curvada.

Utilizar un recipientes para cocinar de un tamaño adecuado a la cantidad de alimentos que se desee cocinar.

✓ Cocinar en recipientes grandes con contenido escaso consume demasiada energía.

Cocinar con poca cantidad de agua:

- ✓ a mayor cantidad de agua, más energía se necesita para calentarla.

Seleccionar un nivel de potencia lo más pronto posible.
Seleccionar un nivel de potencia apropiado para continuar cocinando;

- ✓ para proseguir el cocinado, basta con un nivel de potencia más bajo.

Aprovechar el calor residual de la zona de cocción. Para tiempos de cocción prolongados, apagar la zona de cocción 5-10 minutos antes de que finalice el tiempo de cocción.

- ✓ Desaprovechar el calor residual aumenta el consumo de energía.

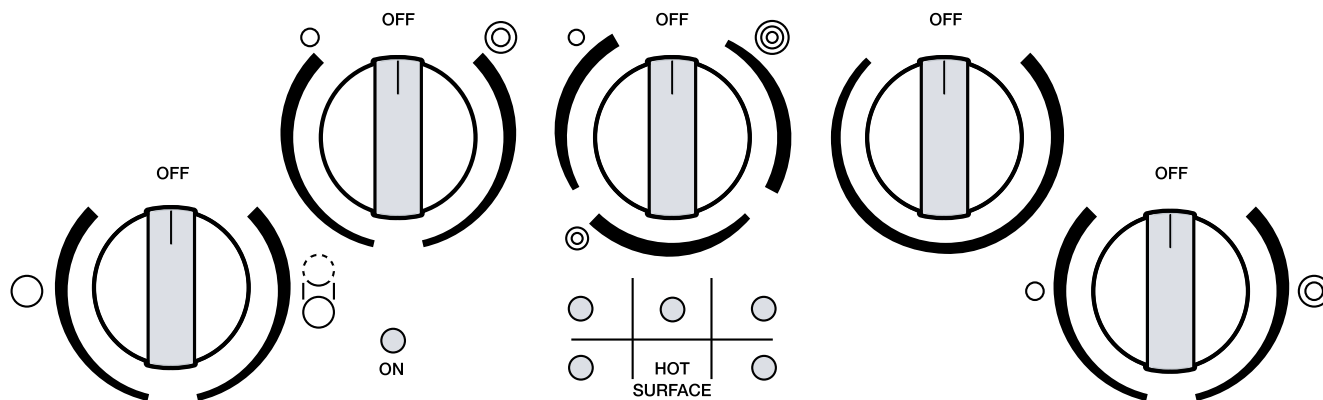
4 Familiarizándose con el aparato

Este manual abarca varios modelos. Es posible que el modelo adquirido tenga solo algunas de las funciones descritas.

4.1 Panel de control

A través del panel de control se ajustan todas las funciones de su aparato y se obtiene información sobre el estado de funcionamiento.

La imagen del panel de control es representativa. El aparato puede variar ligeramente.



Posiciones de la perilla

A través del panel de control se ajustan todas las funciones de su aparato y se obtiene información sobre el estado de funcionamiento.

Posición de la perilla	Función
Off	Zona de cocción apagada
Segmentos circulares	Los niveles de potencia se pueden ajustar de forma continua. <ul style="list-style-type: none"> ▪ El nivel de potencia más bajo = segmento circular más delgado ▪ El nivel de potencia más alto = segmento circular más grueso

AVISO:

Siempre mantenga la perilla de control limpia y seca. La humedad y la suciedad pueden afectar el funcionamiento óptimo.

Indicadores de zona de cocción y de calor residual

Cuando se enciende una zona independiente, se enciende el indicador **ON** situado por encima. Los indicadores de las zonas independientes individuales se encienden cuando una zona independiente está caliente.

Indicador	Significado
○	La placa de cocción está encendida
ON	La zona independiente está encendida
○ ○ ○ ○	La zona independiente se apaga y sigue habiendo calor residual

4.2 Zonas de cocción

En esta sección figura una vista general de las zonas de cocción disponibles en la placa de cocción. Se debe colocar cada recipiente para cocinar en la zona de cocción que mejor se ajuste a su tamaño.

Véase la vista general de modelos y medidas. → *Página 2*

Símbol	Zona de cocción	Función
○	Zona de cocción individual	Solo hay disponible un tamaño de zona de cocción.
◎	Zona de cocción doble	Hay dos tamaños de zonas de cocción disponibles. → "Uso de la zona de cocción doble", <i>Página 40</i>
◎◎	Zona de cocción triple	Hay tres tamaños de zonas de cocción disponibles. → "Uso de la zona de cocción triple", <i>Página 40</i>
⊖	Zona de puente	La zona de puente combina dos zonas de cocción para conformar una zona larga de cocción a la plancha. → "Uso de la zona de puente", <i>Página 40</i> Nota: No usar recipientes para cocinar con unas dimensiones mayores a 430 x 250 mm (17" x 10").

Nota

La zona de cocción regula la temperatura encendiendo y apagando el calor. El calor también puede encenderse y apagarse cuando está en el nivel de potencia más alto.

- Esto evita que los componentes se sobrecalienten.
- El aparato está protegido de las sobrecargas eléctricas.
- Se han alcanzado mejores resultados de cocción.

5 Manejo

Esta sección incluye toda la información necesaria en relación con el manejo del aparato.

5.1 Ajuste del nivel de potencia

Ajustar el nivel de potencia de la zona de cocción con las perillas de control.

- ▶ Presionar y girar la perilla de control al nivel de potencia deseado.
- ✓ El indicador sobre **ON** se enciende.
- ✓ Cuando la zona de cocción se calienta, se enciende el indicador de la zona de cocción seleccionada.

5.2 Apagar la zona de cocción

- ▶ Girar la perilla de control a **OFF**.
- ✓ El indicador de la zona de cocción permanece encendido hasta que la zona de cocción se enfríe.
- ✓ Cuando todas las zonas de cocción estén apagadas, el indicador situado encima de **ON** se apaga. La placa de cocción está apagada.

5.3 Uso de la zona de cocción doble

1. Para usar ambos anillos de la zona de cocción doble, presionar y girar la perilla de control en los segmentos circulares marcados con ☉.
2. Para usar solo el anillo interno de la zona de cocción doble, presionar y girar la perilla de control en los segmentos circulares marcados con ○.

5.4 Uso de la zona de cocción triple

1. Para usar los tres anillos de la zona de cocción triple, presionar y girar la perilla de control en los segmentos circulares marcados con ☉.
2. Para usar los dos anillos internos de la zona de cocción triple, presionar y girar la perilla de control en los segmentos circulares marcados con ☉.
3. Para usar solo los anillos internos de la zona de cocción triple, presionar y girar la perilla de control en los segmentos circulares marcados con ○.

5.5 Uso de la zona de puente

La zona de puente combina dos zonas de cocción individuales para conformar una zona larga de cocción a la plancha. Esta configuración es ideal para planchas y sartenes de gran tamaño.

1. Para usar la zona de puente como zonas de cocción individuales:
 - presionar y girar la perilla de control en los segmentos circulares marcados con ○.
2. Para usar la zona de cocción frontal y el segmento de puente para crear una zona de cocción rectangular:

- presionar y girar la perilla de control en los segmentos circulares marcados con ☉.

3. Para usar la zona de puente completa:

- presionar y girar la perilla de control para la zona de cocción frontal izquierda en los segmentos circulares marcados con ☉.
- Presionar y girar la perilla de control para la zona de cocción trasera izquierda en los segmentos circulares marcados con ☉.
- Girar ambas perillas de control de modo que queden aproximadamente en la misma posición con respecto a sus segmentos correspondientes para conseguir que el calentamiento sea uniforme.
- Girar las perillas de control en distintos niveles de potencia para crear dos zonas de calentamiento distintas en el sartén, por ejemplo, para rehogar y estofar.

5.6 Ajustes de cocción recomendados

Esta sección incluye recomendaciones relativas a la cocción y un resumen de distintos platos con sus niveles apropiados de calentamiento.

- Seleccionar el nivel de potencia más alto para llevar a ebullición o empezar a freír.
- Remover de vez en cuando los líquidos densos.
- Se recomienda sellar en porciones pequeñas los alimentos que necesiten un sellado rápido o que pierdan una elevada cantidad de líquido al principio de la fritura.

Tablas de cocción

La tabla de cocción muestra el nivel de potencia adecuado para cada tipo de alimento. El tiempo de cocción puede variar en función del tipo, el peso, el grosor y la calidad del alimento.

El nivel de potencia para cocción continua depende del tipo de recipiente para cocinar que se use.

⚠ PRECAUCIÓN

Durante la cocción, los guisos o los líquidos pueden calentarse con mucha rapidez y pueden desbordarse o salpicar, p. ej. sopas, salsas o bebidas.

- ▶ Remover constantemente.
- ▶ Calentar los alimentos a un nivel de potencia adecuado.

Fundir

Tipo de alimento	Nivel de potencia
Chocolate	bajo
Mantequilla	bajo

Calentar

Verduras congeladas, p. ej., espinacas	bajo a medio bajo
Caldo	medio a medio alto
Sopa espesa	bajo
Leche ¹	bajo

¹ Cocinar sin tapa

Hervir a fuego lento

Salsas delicadas, p. ej., Salsa bechamel	medio bajo a medio
Salsa para pasta	bajo a medio bajo
Asados	medio bajo a medio
Pescado ¹	medio bajo a medio

¹ Cocción continua sin tapa**Cocción**

Arroz, con el doble de cantidad de agua	medio bajo
Papas hervidas con su piel, con 1 o 2 tazas de agua	medio bajo a medio
Papas cocidas, con 1 o 2 tazas de agua	medio bajo a medio
Verdura fresca, con 1 o 2 tazas de agua	medio bajo a medio
Verduras congeladas, con 1 o 2 tazas de agua	medio bajo a medio
Pasta, con aprox. 2-4 litros de agua ¹	medio bajo a medio
Budín ²	bajo
Cereales	medio bajo

¹ Cocción continua sin tapa² Cocinar sin tapa**Freír**

Chuletas de cerdo ¹	medio
Pechuga de pollo ¹	medio bajo a medio
Tocino	medio
Huevos	medio bajo a medio
Pescado	medio bajo a medio
Tortitas	medio

¹ Voltrear la comida varias veces.**Fritura en aceite/grasa abundante**

Fritura en aprox. 1-2 litros de aceite sin tatar.

Alimentos ultracongelados, p. ej., nuggets de pollo (225 g/aprox. 0.5 libras por porción)	medio alto a alto
Otros, p. ej., donas (225 g/aprox. 0.5 libras por porción)	medio

6 Limpieza y cuidados

Para que el aparato mantenga durante mucho tiempo su capacidad funcional, debe mantenerse y limpiarse con cuidado.

6.1 Productos de limpieza

Es posible adquirir raspadores para vidrio y productos de limpieza adecuados para el sistema a través de nuestro Servicio de Asistencia o en nuestra tienda en línea www.thermador.com/us/accessories.

Consejo Los productos de limpieza Thermador han sido probados y aprobados para su uso en aparatos Thermador. Otros productos de limpieza recomendados no constituyen un respaldo de una marca específica.

Productos de limpieza recomendados

- Limpiador para placas de cocción vitrocerámicas
- Thermador limpiador para placas de cocción vidrios
- BonAmi®¹
- Soft Scrub®¹ (sin blanqueador)
- Vinagre blanco

Productos de limpieza no apropiados

- Limpiacristales que contengan amoníaco o blanqueador de cloro. Estos limpiadores pueden dañar o dejar marcas permanentes en la placa de cocción.
- Limpiadores cáusticos como Easy Off®¹. Estos limpiadores pueden dejar marcas en la superficie de la placa de cocción.
- Limpiadores abrasivos.
- Fibras de metal y esponjas como Scotch Brite®¹. Estos limpiadores pueden arañar la superficie de la placa de cocción y/o dejar marcas metálicas.
- Fibra esponja con jabón como SOS®¹. Estos limpiadores pueden arañar la superficie de la placa de cocción.
- Limpiadores en polvo con blanqueador de cloro. Estos limpiadores pueden dejar marcas permanentes en la superficie de la placa de cocción.
- Limpiadores inflamables como líquido para encendedores o WD-40®¹.

6.2 Limpiar la placa de cocción vitrocerámica**⚠ ADVERTENCIA**

Limpiar la placa de cocción con precaución.

- ▶ Si se usa una esponja o trapo húmedos para secar derrames en una zona de cocción caliente, es preciso hacerlo con cuidado para no quemarse con el vapor.
- ▶ Algunos limpiadores producen emanaciones tóxicas si se aplican en una superficie caliente.
- ▶ No limpiar el aparato cuando aún esté caliente.

⚠ PRECAUCIÓN

No usar ningún tipo de limpiador sobre el cristal mientras la superficie está caliente; usar únicamente la espátula para vidrio. Las emanaciones que se generan pueden ser peligrosas para la salud. Calentar el limpiador puede atacar químicamente y dañar la superficie.

¹ Estas marcas son marcas comerciales registradas de sus respectivos propietarios. Todas las demás marcas son marcas comerciales de BSH Home Appliances Corporation o sus sociedades afiliadas.

Requisitos

- La placa de cocción se ha enfriado.
 - Excepción: retirar inmediatamente los restos de azúcar resea, caramelo, leche y tomate y de papel de aluminio o película de plástico fundidos usando la espátula para vidrio.
→ "Recomendaciones de limpieza", Página 42
1. Limpiar las salpicaduras con una esponja o papel de cocina limpio y húmedo.
 2. Enjuagar y secar.
 3. Si la mancha persiste, usar vinagre blanco.
 4. Volver a enjuagar y secar.
 5. Aplicar una pequeña cantidad de limpiador a la placa de cocción con un paño limpio de papel o con un trapo y dejar que se seque.
 6. Abrillantar la superficie con un trapo o un papel de cocina limpio.

6.3 Limpiar el marco de la placa de cocción

Seguir las presentes instrucciones de limpieza para los modelos con un marco metálico.

Notas

- Frotar el marco de la placa de cocción con la parte granulosa.
- Para suciedad entre moderada y persistente, usar BonAmi®¹ o Soft Scrub®¹ (sin cloro).

1. Limpiar usando un estropajo o un paño húmedo.
2. Enjuagar y secar.

6.4 Recomendaciones de limpieza

Seguir las presentes instrucciones de limpieza para eliminar la suciedad convencional.

ADVERTENCIA

La cuchilla del raspador de vidrio está extremadamente afilada. Existe el riesgo de sufrir cortes.

- ▶ Cambiar la hoja de la cuchilla inmediatamente en cuanto se detecten imperfecciones.
- ▶ Seguir las instrucciones del fabricante.

AVISO:

Los anillos de diamantes pueden rayar la superficie de la placa de cocción vitrocerámica.

- ▶ Es preciso quitarse los anillos antes de limpiar la superficie vitrocerámica.

Tipo de suciedad	Recomendación
<ul style="list-style-type: none"> ■ Azúcar resea ■ Caramelo líquido ■ Leche ■ Restos de tomate ■ Papel de aluminio o película de plástico fundidos 	RETIRAR INMEDIATAMENTE. Si no se retiran inmediatamente estos restos, podrían dañar

¹ Estas marcas son marcas comerciales registradas de sus respectivos propietarios. Todas las demás marcas son marcas comerciales de BSH Home Appliances Corporation o sus sociedades afiliadas.

Tipo de suciedad	Recomendación
	<p>permanentemente la superficie de la placa de cocción vitrocerámica.</p> <p>Eliminar la suciedad con la espátula para vidrio mientras la superficie de la placa de cocción siga caliente.</p> <p>Utilizar una cuchilla nueva y afilada en la espátula para vidrio.</p> <ul style="list-style-type: none"> ■ Retirar el recipiente para cocinar y apagar la zona de cocción. ■ Usar un guante de horno. ■ Sujetar la espátula para vidrio en un ángulo de 30° con respecto a la superficie y raspar la suciedad. Proceder con cuidado para no rayar ni desportillar la superficie vitrocerámica. ■ Apartar la suciedad de la zona caliente. ■ Dejar que se enfríe la superficie. ■ Retirar los residuos y aplicar un poco de limpiador para vitrocerámicas.
<ul style="list-style-type: none"> ■ Restos quemados de comida ■ Manchas oscuras ■ Motas oscuras 	<ul style="list-style-type: none"> ■ Colocar un paño de cocina o un estropajo húmedo sobre la suciedad durante 30 minutos para ablandarla. ■ Retirar la suciedad con una espátula de plástico y un poco de limpiador para vitrocerámicas o con una rasqueta de vidrio. ■ Enjuagar la superficie de la placa de cocción y secarla.
Salpicaduras de grasa	<ul style="list-style-type: none"> ■ Eliminar la grasa con un estropajo o un trapo enjabonado. ■ Enjuagar bien la superficie de la placa de cocción y secarla. ■ Aplicar limpiador para vitrocerámicas.

¹ Estas marcas son marcas comerciales registradas de sus respectivos propietarios. Todas las demás marcas son marcas comerciales de BSH Home Appliances Corporation o sus sociedades afiliadas.

¹ Estas marcas son marcas comerciales registradas de sus respectivos propietarios. Todas las demás marcas son marcas comerciales de BSH Home Appliances Corporation o sus sociedades afiliadas.

Tipo de suciedad	Recomendación
Marcas metálicas: mancha iridiscente	<p>Los sartenes con bases de aluminio, cobre o acero inoxidable pueden dejar marcas. Tratar las marcas metálicas inmediatamente en cuanto se enfríe la superficie de la placa de cocción, de no hacerlo así, la eliminación de las marcas resultará muy difícil.</p> <ul style="list-style-type: none"> ■ Limpiar la superficie de la placa de cocción con limpiador para vitrocerámicas. ■ Si no es posible eliminar las marcas de este modo, limpiar la superficie de la placa de cocción con un paño de cocina húmedo y un abrasivo suave (Bon Ami®¹, Soft Scrub®¹ sin blanqueador). ■ Limpiar la superficie de la placa de cocción y aplicar limpiador para vitrocerámicas.
Marcas de agua persistentes	<p>Los líquidos calientes resultantes del cocinado pueden derramarse o gotear sobre la placa de cocción. Los minerales que hay en algunos tipos de agua pueden transferirse a la superficie y dejar manchas. Eliminar los derrames y las manchas antes de volver a usar la placa de cocción.</p> <ul style="list-style-type: none"> ■ Limpiar la superficie de la placa de cocción con vinagre blanco sin diluir. ■ Enjuagar la superficie de la placa de cocción y secarla. ■ Aplicar limpiador para vitrocerámicas.
Arañazos en la superficie	<p>Los pequeños arañazos son habituales y no afectan a la cocción. Pueden hacerse más suaves y menos visibles si se usa a diario limpiador para vitrocerámicas.</p> <ul style="list-style-type: none"> ■ Aplicar limpiador para vitrocerámicas antes de cocinar para eliminar sustancias granuladas y abrasivas (similares a la arena), como sal y sazónadores. ■ Los arañazos se pueden reducir si se utilizan sartenes con bases que estén suaves, limpias y secas antes de su uso. Usar a diario el limpiador para vitrocerámicas.

¹ Estas marcas son marcas comerciales registradas de sus respectivos propietarios. Todas las demás marcas son marcas comerciales de BSH Home Appliances Corporation o sus sociedades afiliadas.

6.5 Mantenimiento

Este aparato no requiere tareas de mantenimiento más allá de la limpieza diaria. Para obtener mejores resultados, aplicar limpiador de vitrocerámicas en crema todos los días.

7 Eliminación

7.1 Eliminación de los aparatos usados

Mediante una eliminación respetuosa con el medio ambiente se pueden reutilizar materias primas valiosas.

- ▶ Desechar el aparato de manera respetuosa con el medio ambiente.

Su distribuidor o el ayuntamiento local puede proporcionarle información sobre las vías y posibilidades actuales de desecho de materiales.

8 Servicio de atención al cliente

En cada reparación cubierta por la garantía, nos aseguramos de que su aparato sea reparado con repuestos originales por un proveedor de servicio capacitado y autorizado. Solo utilizamos repuestos originales para todos los tipos de reparaciones. Las informaciones detalladas sobre el periodo de validez de la garantía y las condiciones de garantía las podrá encontrar en nuestras condiciones de garantía, con su distribuido o en nuestra página web.

Cuando se ponga en contacto con el servicio de atención al cliente, no olvide indicar el número de modelo (E-Nr.) y el número de fabricación (FD) se su aparato.

USA:

1-800-735-4328

www.thermador.com/support

www.store.thermador.com/us

CA:

1-800-735-4328

www.thermador.ca

8.1 Número de modelo (E-Nr.) y número de fabricación (FD)

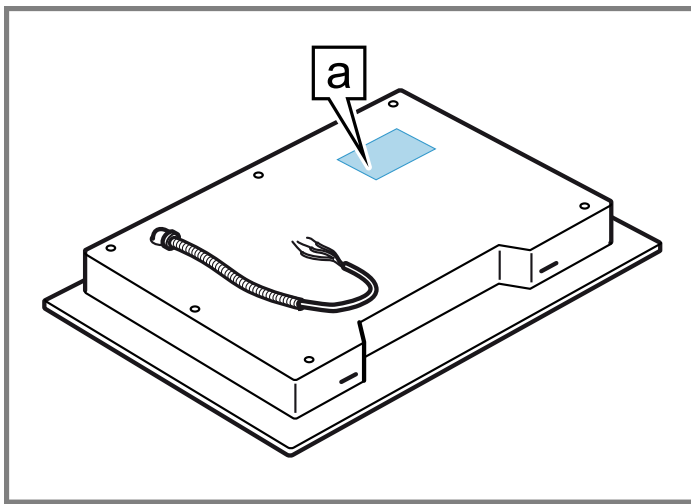
El número de modelo (E-Nr.) y el número de fabricación (FD) se encuentran en la placa de características del aparato.

Para volver a encontrar rápidamente los datos del aparato o el número de teléfono del servicio de atención al cliente, puede anotar dichos datos.

8.2 Ubicación de la placa de características del aparato

La placa de características del aparato se encuentra:

- En la parte inferior del aparato
- En el pase de aprobación del electrodoméstico



a Placa de características

9 DECLARACIÓN DE GARANTÍA LIMITADA DEL PRODUCTO

9.1 Qué cubre esta garantía y a quiénes se aplica

La garantía limitada otorgada por BSH Home Appliances («Thermador») en esta Declaración de Garantía Limitada del Producto se aplica únicamente al aparato Thermador vendido a usted («Producto»), el primer comprador usuario, condicionada estrictamente a que el Producto haya sido comprado:

- Para uso doméstico normal (no comercial) y haya sido utilizado en todo momento únicamente para fines domésticos normales.
- Nuevo en una tienda minorista autorizada de BSH o directamente de BSH (que no sea un producto de exhibición ni un producto vendido «en las condiciones en que se encuentre» ni un modelo devuelto anteriormente) y que no esté destinado a reventa ni uso comercial.
- Dentro de los Estados Unidos o Canadá, y que haya permanecido en todo momento dentro del país de compra original.

La garantía descrita aquí es válida para el comprador original del producto cubierto por esta garantía y para todo usuario posterior del producto, adquirido para un uso doméstico, durante el término de la garantía.

Asegurarse de registrar su producto; si bien no es necesario para hacer efectiva la cobertura de la garantía, es la mejor manera de que Thermador pueda enviar una notificación en el caso poco probable de que se emita un aviso de seguridad o se retire del mercado un producto.

9.2 Plazo de vigencia de la garantía

Thermador garantiza que el Producto no tiene defectos de materiales ni de mano de obra durante un período de setecientos treinta (730) días a partir de la fecha de entrega original. Dicho período comienza a contar a partir de la fecha de entrega original y no se interrumpirá, dejará sin efecto, extenderá ni suspenderá por ningún motivo. También se garantiza que este Producto no presenta defectos **estéticos** en el material ni en la mano de obra

(como rayas en el acero inoxidable, imperfecciones en la pintura/porcelana, desportilladuras, astillas, abolladuras ni ningún otro daño en el acabado) del Producto durante un período de sesenta (60) días desde la fecha de entrega o fecha de cierre para una nueva construcción. Se excluyen de esta garantía por defectos **estéticos** las variaciones leves de color que se deban a diferencias inherentes a las piezas pintadas y de porcelana, así como diferencias provocadas por la iluminación de la cocina, la ubicación del producto u otros factores similares. Se excluye específicamente de esta garantía por defectos **estéticos** cualquier electrodoméstico en exposición, de piso, vendido “en el estado en que se encuentra” o de segunda selección.

9.3 Reparación/Reemplazo como único recurso

Durante el período de esta garantía, Thermador o uno de sus proveedores de servicio técnico autorizados reparará el producto sin cargo (sujeto a determinadas limitaciones especificadas en el presente) si se prueba que el producto ha sido fabricado con un defecto en los materiales o en la mano de obra. Si se ha intentado de manera razonable reparar el Producto sin éxito, Thermador reemplazará el Producto (es posible llegar a disponer de modelos mejorados, a entera discreción de Thermador, por un cargo adicional). Esta garantía no establece que las piezas dañadas o defectuosas se reemplacen por piezas de diferente tipo o diseño a las originales. Todas las partes y los componentes retirados serán propiedad de Thermador, a su entera discreción. Todas las partes reemplazadas y/o reparadas se considerarán como la parte original a los fines de esta garantía y esta garantía no se extenderá con respecto a dichas partes. En virtud del presente documento, la exclusiva responsabilidad y obligación de Thermador es únicamente reparar el Producto defectuoso de fábrica, a través de un proveedor de servicio técnico autorizado por Thermador, durante el horario normal de oficina. Por cuestiones de seguridad y daños materiales, Thermador recomienda categóricamente no intentar reparar el Producto por cuenta propia ni usar un proveedor de servicio técnico no autorizado; Thermador no tendrá ninguna responsabilidad ni obligación por daños ocasionados por reparaciones o trabajos realizados por un proveedor de servicio técnico no autorizado. Los proveedores de servicio técnico autorizados son aquellas personas o compañías que han sido especialmente capacitadas para manejar los productos de Thermador y que tienen, según el criterio de Thermador, una reputación superior de servicio de atención al cliente y capacidad técnica (tenga en cuenta que son entidades independientes y no son agentes, socias, afiliadas ni representantes de Thermador). Sin embargo, llevar su producto a un taller de reparación que no esté afiliado o a un distribuidor autorizado de Thermador no anulará esta garantía. Además, el uso de piezas de terceros no anulará esta garantía. Independientemente de lo antedicho, Thermador no tendrá responsabilidad ni obligación alguna por el Producto que se encuentre en un área remota (a más de 100 millas de un proveedor de servicio técnico autorizado) o en un lugar, área circundante o entorno que no sean accesibles por medios razonables o que sean peligrosos, hostiles o arriesgados; en ese caso, a su solicitud, Thermador de todas maneras pagará por la mano de obra y las partes, y enviará las partes al proveedor de servicio técnico autorizado más cercano, pero el cliente seguirá

siendo totalmente responsable por el tiempo de viaje y demás cargos especiales de la compañía de servicio técnico, siempre que esta acepte realizar la visita de servicio técnico. Además, en la medida en que haya instalado el producto en una ubicación de difícil acceso o haya instalado accesorios temporales o permanentes que creen barreras para acceder o retirar el producto, Thermador no incurrirá en ninguna responsabilidad por el trabajo o los costos asociados con el traslado del producto o la creación de acceso al producto para repararlo o reemplazarlo. Todos estos costos serán responsabilidad exclusiva de usted.

9.4 Producto fuera de garantía

Thermador no tiene obligación alguna, en virtud de la ley ni por otro motivo, de otorgarle ninguna concesión, incluidos reparaciones, prorrates o reemplazo del Producto, con posterioridad al vencimiento de la garantía.

9.5 Exclusiones de la garantía

La cobertura de garantía descrita en el presente documento excluye todos los defectos o daños que no fueron provocados directamente por Thermador, incluidos, entre otros, alguno de los siguientes:

- Uso del Producto de maneras distintas del uso normal, habitual y previsto (incluidos, entre otros, cualquier forma de uso comercial, uso o almacenamiento en exteriores de un producto diseñado para interiores, uso del Producto en aeronaves o embarcaciones).
- Conducta indebida, negligencia, uso indebido, abuso, accidentes, descuido, operación inadecuada, omisión de mantenimiento, instalación inadecuada o negligente, adulteración, omisión de seguir las instrucciones de operación, manipulación inadecuada, servicio técnico no autorizado (incluidos «arreglos» o exploración de los mecanismos internos del aparato realizados por uno mismo) por parte de cualquier persona.
- Ajuste, alteración o modificación de cualquier tipo.
- Incumplimiento de los códigos, reglamentaciones o leyes de electricidad, plomería y/o construcción estatales, locales, municipales o de condado, incluida la omisión de instalar el producto cumpliendo estrictamente con los códigos y reglamentaciones locales de construcción y protección contra incendios.
- Desgaste habitual, derrames de alimentos, líquidos, acumulaciones de grasa u otras sustancias que se acumulen sobre el Producto, dentro o alrededor de este.
- Cualquier fuerza y factor externo, elemental y/o ambiental, incluidos, entre otros, lluvia, viento, arena, inundaciones, incendios, aludes de lodo, temperaturas bajas extremas, humedad excesiva o exposición prolongada a la humedad, rayos, sobrecargas eléctricas, fallos estructurales alrededor del aparato y catástrofes naturales.
- Llamadas al servicio técnico para subsanar la instalación del Producto, enseñar al usuario a usar el Producto, reemplazar los fusibles domésticos o subsanar el cableado o las instalaciones de fontanería.
- Extracción y sustitución de recortes o paneles decorativos que interfieran con el mantenimiento del Producto.

- Daños o defectos provocados por la mano de obra o piezas instaladas por cualquier proveedor de servicio técnico no autorizado, a menos que este último haya sido aprobado por Thermador antes de realizar el servicio.

En ningún caso Thermador tendrá responsabilidad ni obligación alguna por los daños ocasionados a los bienes circundantes, incluidos los gabinetes, pisos, techos y demás estructuras u objetos que se encuentren alrededor del Producto. También se excluyen de esta garantía los Productos en los cuales los números de serie hayan sido alterados, modificados o eliminados; las visitas del servicio técnico para enseñarle a usar el Producto o las visitas en las que se determine que no hay ningún problema con el Producto; la corrección de los problemas de instalación (usted es el único responsable de cualquier estructura y soporte del Producto, incluidas todas las instalaciones de electricidad y plomería o demás instalaciones de conexión, de la correcta instalación en bases/pisos, y de cualquier alteración, incluidos, a modo de ejemplo, gabinetes, paredes, pisos, repisas, etc.); y el restablecimiento de breakers o fusibles.

EN LA MEDIDA PERMITIDA POR LA LEY, ESTA GARANTÍA ESTABLECE SUS RECURSOS EXCLUSIVOS CON RESPECTO AL PRODUCTO, INDEPENDIENTEMENTE DE QUE LA RECLAMACIÓN SEA CONTRACTUAL O EXTRA CONTRACTUAL (INCLUIDA LA RESPONSABILIDAD OBJETIVA O LA NEGLIGENCIA), O DE CUALQUIER OTRO TIPO. ESTA GARANTÍA REEMPLAZA TODAS LAS DEMÁS GARANTÍAS EXPRESAS O IMPLÍCITAS. LAS GARANTÍAS IMPLÍCITAS POR LEY, YA SEA DE COMERCIALIZACIÓN O DE APTITUD PARA UN FIN ESPECÍFICO, O DE CUALQUIER OTRO TIPO, TENDRÁN VIGENCIA ÚNICAMENTE POR EL PERÍODO DE VIGENCIA DE LA PRESENTE GARANTÍA LIMITADA EXPRESA. EN NINGÚN CASO SERÁ EL FABRICANTE RESPONSABLE POR LOS DAÑOS CONSECUENTES, ESPECIALES, Y/O DAÑOS PUNITIVOS, PÉRDIDAS O GASTOS, INCLUIDOS, ENTRE OTROS, TIEMPO FUERA DEL TRABAJO, HOTELES O COMIDAS EN RESTAURANTES, GASTOS DE REMODELACIÓN QUE SUPEREN LOS DAÑOS DIRECTOS, QUE DEFINITIVAMENTE HAYAN SIDO PROVOCADOS DE MANERA EXCLUSIVA POR THERMADOR O DE OTRA MANERA. ALGUNOS ESTADOS NO PERMITEN LA EXCLUSIÓN O LIMITACIÓN DE DAÑOS INCIDENTALES O CONSECUENTES, Y ALGUNOS ESTADOS NO PERMITEN LIMITACIONES CON RESPECTO AL PLAZO DE VIGENCIA DE UNA GARANTÍA IMPLÍCITA; POR LO TANTO, ES POSIBLE QUE LAS EXCLUSIONES O LIMITACIONES PRECEDENTES NO SE APLIQUEN. ESTA GARANTÍA OTORGA DERECHOS LEGALES ESPECÍFICOS, Y TAMBIÉN PUEDEN CORRESPONDERLE OTROS DERECHOS QUE PUEDEN VARIAR SEGÚN EL ESTADO.

Ningún intento de alterar, modificar o enmendar la presente garantía será válido, a menos que fuera autorizado por escrito por un ejecutivo de BSH.

9.6 Obtener el servicio técnico de la garantía

Para obtener el servicio de garantía para su producto, debe comunicarse con el Servicio de asistencia técnica de Thermador al 1-800-735-4328 para programar una reparación.

9.7 Información del producto

Para una referencia rápida, copiar la información que se encuentra a continuación de la placa de características. Conservar su factura y/o los documentos de entrega para la validación de la garantía.

Número de modelo
(E-Nr.)

Número de
fabricación (FD)

Fecha de entrega



1901 MAIN STREET, SUITE 600 IRVINE, CA 92614 USA // 1-800-735-4328 // WWW.THERMADOR.COM
© 2022 BSH HOME APPLIANCES CORPORATION
9001671974 // en-us, fr-ca, es-mx // 021021