

Use and care

GUIDE

Professional Series Pro Grand® and Pro Harmony®
Ranges

PRD364WDGU/C PRD364WDGU/C PRD364WIGU/C
PRD364WIGU/C PRD366WGU/C PRD366WGU/C
PRD486WDGU/C PRD486WDGU/C PRD486WIGU/C
PRD486WIGU/C PRG364WDG PRG364WDG
PRG366WG PRG366WG PRG486WDG
PRG486WDG PRD304WHU/C PRD304WHU/C
PRD305WHU/C PRD305WHU/C PRD364WDHU/C
PRD364WDHU/C PRD366WHU/C PRD366WHU/C
PRD486WDHU/C PRD486WDHU/C PRD488BHU/C
PRD488BHU/C PRG304WH PRG304WH PRG305WH
PRG305WH PRG364WDH PRG364WDH
PRG366WH PRG366WH PRG486WDH
PRG486WDH PRG488BH PRG488BH



Table of contents

1 IMPORTANT SAFETY INSTRUCTIONS.....	3	8.5 PowerBoost® feature	25
1.1 Safety definitions.....	4	8.6 Recommended cooking settings.....	25
1.2 General information.....	4	9 Electric griddle	25
1.3 Safe use.....	4	9.1 Operating the electric griddle.....	25
1.4 Induction module.....	7	9.2 Seasoning the griddle plate	25
1.5 Remote operation	7	10 Home Connect®	25
1.6 Requirements and standards	7	10.1 Setting up Home Connect®.....	26
1.7 Gas requirements	8	10.2 Home Connect® settings	26
1.8 State of California Proposition 65 Warnings	8	10.3 Changing the settings via the Home Connect® app.....	26
2 Preventing material damage	9	10.4 Remote start.....	26
2.1 Preventing oven cavity damage	9	10.5 Setting remote control	27
2.2 Preventing cooktop damage.....	9	10.6 Remote diagnostics.....	27
3 Environmental protection and energy-saving	9	10.7 Software update	27
3.1 Disposal of packaging	9	10.8 Data Protection	27
3.2 Saving energy when using the oven.....	9	11 Cleaning and maintenance	27
3.3 Saving energy when using the cooktop.....	10	11.1 General cleaning tips.....	28
4 Familiarizing yourself with your appliance	11	11.2 Cleaning recommendations.....	28
4.1 Appliance	11	11.3 Self clean function	31
4.2 Oven cavity	12	11.4 Maintenance.....	32
4.3 Oven controls.....	14	12 Troubleshooting	34
4.4 Rangetop control knobs	14	13 Disposal	36
5 Accessories.....	14	13.1 Disposal of your old appliance.....	36
5.1 Oven accessories	15	14 Customer Service.....	36
5.2 Other accessories	15	14.1 Remote Customer Service connection	36
5.3 Installing the rack guides.....	15	14.2 Model number (E-Nr.) and production number (FD).....	36
5.4 Rack positions.....	15	14.3 Rating plate location.....	37
5.5 Safe use of oven racks.....	16	14.4 Product registration	37
5.6 Inserting the wire rack	16	15 STATEMENT OF LIMITED PRODUCT WARRANTY	37
5.7 Installing the FullAccess® racks.....	16	15.1 What this warranty covers & Who it applies to.....	37
6 Before using for the first time	17	15.2 How long the warranty lasts	37
6.1 Start-up settings.....	17	15.3 Repair/replace as your exclusive remedy	37
6.2 Cleaning the appliance before using it for the first time.....	17	15.4 Out of warranty product.....	38
6.3 Burner cap placement.....	17	15.5 Warranty exclusions.....	38
6.4 Placing the burner grates	18	15.6 Obtaining warranty service	39
6.5 Register your appliance	18	15.7 Product information	39
7 Oven operation.....	19		
7.1 Oven heating modes and functions	19		
7.2 Setting the heating mode and temperature	20		
7.3 Heating time limitation.....	20		
7.4 Fast preheat.....	20		
7.5 Meat probe.....	20		
7.6 Turning the panel lock on or off.....	21		
7.7 Kitchen timer	21		
7.8 Oven timer	21		
7.9 Sabbath mode.....	22		
7.10 Basic Settings - Oven.....	22		
7.11 Getting the most out of your appliance.....	23		
8 Rangetop operation	24		
8.1 Turning on a burner.....	24		
8.2 Automatic re-ignition	24		
8.3 In case of a power failure	24		
8.4 ExtraLow® feature	24		



IMPORTANT SAFETY INSTRUCTIONS

READ AND SAVE THESE INSTRUCTIONS

Read all instructions carefully before use. These precautions will reduce the risk of electrical shock, fire and injury to persons. When using kitchen appliances, basic safety precautions must be followed including those in the following pages.

⚠ WARNING: If the information in these instructions is not followed exactly, a fire or explosion may result causing property damage, personal injury or death.

- Do not store or use gasoline or other flammable vapors and liquids in the vicinity of this or any other appliance.
- **WHAT TO DO IF YOU SMELL GAS**
 - Do not try to light any appliance.
 - Do not touch any electrical switch.
 - Do not use any phone in your building.
 - Immediately call your gas supplier from a neighbor's phone. Follow the gas supplier's instructions.
 - If you cannot reach your gas supplier, call the fire department.
- Installation and service must be performed by a qualified installer, service agency or the gas supplier.

⚠ WARNING:

Never Operate the Top Surface Cooking Section of this Appliance Unattended.

- Failure to follow this warning statement could result in fire, explosion, or burn hazard that could cause property damage, personal injury, or death.
- If a fire should occur, keep away from the appliance and immediately call your fire department.

**DO NOT ATTEMPT TO EXTINGUISH
AN OIL/GREASE FIRE WITH WATER.**



IMPORTANT SAFETY INSTRUCTIONS

READ AND SAVE THESE INSTRUCTIONS

1.1 Safety definitions

Here you can find explanations of the safety signal words used in this manual.

WARNING

This indicates that death or serious injuries may occur as a result of non-observance of this warning.

CAUTION

This indicates that minor or moderate injuries may occur as a result of non-observance of this warning.

NOTICE:

This indicates that damage to the appliance or property may occur as a result of non-compliance with this advisory.

Note: This alerts you to important information and/or tips.

1.2 General information

This Use and Care Guide explains the basics of operating your appliance and those safety measures that must be followed. For complete and safe installation information, refer to the Installation Instructions included with the appliance.

WARNING

Please review the Use and Care Guide for the induction element for other specific important safety information.

All product manuals may be downloaded online at www.thermador.com/us/support/owner-manuals.

INSTALLER: Please leave these instructions with this unit for the owner.

OWNER: Please retain these instructions for future reference. Read all safety instructions before operating the appliance. Have the installer show you where the electric circuit breaker and the gas supply shut-off valve are located so you know how and where to turn off the gas and electricity to the appliance.

1.3 Safe use

WARNING

ALL APPLIANCES

▶ **Proper installation** – Be sure your appliance is properly installed and grounded by a qualified technician.

- ▶ Never use your appliance for warming or heating the room.
- ▶ **Do not leave children alone** – Children should not be left alone or unattended in area where an appliance is in use. They should never be allowed to sit or stand on any part of the appliance.
- ▶ **Wear proper apparel** – Loose-fitting or hanging garments should never be worn while using the appliance.
- ▶ **User servicing** – Do not repair or replace any part of the appliance unless specifically recommended in the manual. All other servicing should be referred to an authorized service provider.
- ▶ **Storage in or on appliance** – Flammable materials should not be stored in or near the appliance. To eliminate risk of burns or fire caused by reaching over heated surface units, cabinet storage located above the surface units should be avoided.
- ▶ **Do not use water on grease fires** – Smother fire or flame or use dry chemical or foam-type extinguisher.
- ▶ **Use only dry potholders** – Moist or damp potholders on hot surfaces may result in burns from steam. Do not let a potholder touch hot heating elements. Do not use a towel or other bulky cloth.

WARNING

SURFACE COOKING UNITS

- ▶ **Use proper pan size** – This appliance may be equipped with surface burners of different sizes. Select utensils having flat bottoms large enough to cover the surface burner. The use of undersized utensils will expose a portion of the burner to direct contact and may result in ignition of clothing. Proper relationship of utensil to burner will also improve efficiency. The flame size should not extend beyond the edge of the cooking utensil. This instruction is based on safety considerations.
- ▶ **Never leave surface burners unattended at high heat settings** – Boil-over causes smoking and greasy spillovers that may ignite.
- ▶ **If applicable, make sure drip trays are in place** – Absence of these trays during cooking may subject wiring or components underneath to damage.
- ▶ **Protective liners** – Do not use aluminum foil to line oven bottoms. Improper installation of these liners may result in a risk of electric shock, or fire.



IMPORTANT SAFETY INSTRUCTIONS

READ AND SAVE THESE INSTRUCTIONS

- ▶ **Glazed cooking utensils** – Only certain types of glass, glass/ceramic, ceramic, earthenware, or other glazed utensils are suitable for range-top service without breaking due to the sudden change in temperature.
- ▶ **Utensil handles should be turned inward and not extend over adjacent surface units** – To reduce the risk of burns, ignition of flammable materials, and spillage due to unintentional contact with the utensil, the handle of a utensil should be positioned so that it is turned inward, and does not extend over adjacent surface units.
- ▶ **Clean the cooktop with caution** – If a wet sponge or cloth is used to wipe spills on a hot cooking area, be careful to avoid steam burns. Some cleaners can produce noxious fumes if applied to a hot surface.
- ▶ **Do not soak removable heating elements** – Heating elements should never be immersed in water.

WARNING

DEEP FAT FRYERS

- ▶ Use extreme caution when moving a grease kettle or disposing of hot grease.

WARNING

OVENS

- ▶ **Use care when opening door** – Let hot air or steam escape before removing or replacing food.
- ▶ **Do not heat unopened food containers** – Build-up of pressure may cause the container to burst and result in injury.
- ▶ **Keep oven vent ducts unobstructed.**
- ▶ **Placement of oven racks** – Always place oven racks in desired location while oven is cool. If a rack must be moved while oven is hot, do not let potholder contact the hot heating element in oven.

WARNING

SELF-CLEANING OVENS

- ▶ **Do not clean the door gasket** – The door gasket is essential for a good seal. Care should be taken not to rub, damage, or move the gasket.
- ▶ Do not use a protective coating to line the oven and do not use a commercial oven cleaner unless certified for use in a self-cleaning oven.
- ▶ Clean only parts listed in manual.
- ▶ Do not leave food or cooking utensils, etc., in an oven during the pyrolytic self-cleaning mode of operation.

- ▶ Please note that some pets or humans can be sensitive to the odors created during the self-cleaning process whether it is a manufacturing residue burn off or food. It is recommended that those potentially affected be removed from the kitchen area during the self-clean process.

WARNING

DO NOT TOUCH SURFACE UNITS OR AREAS NEAR UNITS. Surface units may be hot even though they are dark in color. Areas near surface units may become hot enough to cause burns.

- ▶ During and after use, do not touch, or let clothing, potholders, or other flammable materials contact surface units or areas near units until they have had sufficient time to cool. Among these areas are the cooktop and areas facing the cooktop.

DO NOT TOUCH HEATING ELEMENTS OR INTERIOR SURFACES OF OVEN - Heating elements may be hot even though they are dark in color. Interior surfaces of an oven become hot enough to cause burns.

- ▶ During and after use, do not touch, or let clothing, potholders, or other flammable materials contact heating elements or interior surfaces of oven until they have had sufficient time to cool. Other surfaces of the appliance may become hot enough to cause burns. Among these surfaces are oven vent openings, surfaces near these openings and oven doors.

WARNING

VENTILATING HOODS

- ▶ Clean ventilating hoods frequently – Grease should not be allowed to accumulate on hood or filter.
- ▶ This appliance should not be installed with a ventilation system that directs air in a downward direction toward the appliance. This type of ventilation system may cause ignition and combustion problems with the appliance resulting in personal injury, property damage, or unintended operation. Ventilating systems that direct the air upwards do not have any restriction. An air curtain or other overhead range hood, which operates by blowing a downward airflow onto a range, shall not be used in conjunction with a gas range unless the hood and range have been designed and tested in accordance with the Standard for Domestic Gas Ranges, ANSI Z21.1 • CSA 1.1, and listed by an independent testing laboratory for combination use.



IMPORTANT SAFETY INSTRUCTIONS

READ AND SAVE THESE INSTRUCTIONS

- ▶ When flambéing foods under the hood, turn the fan on.

WARNING

NEVER cover any slots, holes or passages in the oven bottom or cover an entire rack with materials such as aluminum foil.

- ▶ Doing so blocks air flow through the oven and may cause carbon monoxide poisoning.
- ▶ Aluminum foil linings may also trap heat, causing a fire hazard.

WARNING

IN CASE OF AN ELECTRICAL FAILURE

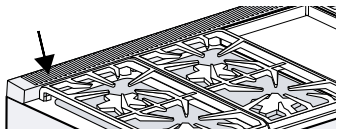
- ▶ If a gas control knob is turned ON and there is no electrical power to operate the electronic igniters on the burners, turn OFF the gas control knob and wait 5 minutes for the gas to dissipate before lighting the burner manually.
- ▶ To light the burners manually, carefully hold a lighted match to the burner ports and turn the gas control knob to **HI**. During a power failure, you can use the standard burners, but each must be lit with a match.
- ▶ Do not attempt to light an **XLO®** burner manually. These burners are equipped with the ExtraLow® feature and cannot be lit manually.

CAUTION

Do not store items of interest to children in cabinets above a range or on the backguard of a range. Children climbing on the range to reach items could be seriously injured.

WARNING

Do not block or obstruct the flow of air through the ventilation openings. The vent is located at the back of the appliance. The vent needs to be unobstructed and open to provide necessary airflow that is important for proper performance.



- ▶ Do not touch the vent area while the appliance is on and for several minutes after the appliance is off. Some parts of the vent and surrounding areas become hot enough to cause burns. Allow appliance sufficient time to cool before touching or cleaning vent areas.
- ▶ Do not position plastic or other heat-sensitive items on or near the vent. These items could melt or ignite.

- ▶ To provide proper ventilation of the range do not remove range feet.

WARNING

Do not allow meat probes or other utensils to come into contact with the heating elements.

WARNING

Do not use the grill plate accessory for cooking excessively fatty meats or products which promote flare-ups.

WARNING

When cooking fatty or oily foods on burners or the griddle, adjacent gas burners can ignite airborne fumes. Use caution to avoid burns.

WARNING

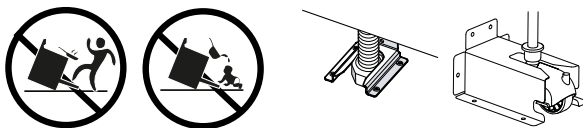
DO NOT store or use corrosive chemicals, vapors, flammables, or nonfood products in or near this appliance. It is specifically designed for use when heating or cooking food. The use of corrosive chemicals while heating or cleaning will damage the appliance and could result in injury.

NOTICE:

There is a possibility to discolor the back wall under certain cooking conditions.

WARNING

ANGER OF TIPPING ON RANGES



- ▶ All ranges can tip and injury can result. To prevent accidental tipping of the range, attach it to the floor, wall, or cabinet by installing the anti-tip bracket supplied.
- ▶ A child or adult can tip the range over and be killed or seriously injured. Verify that the anti-tip bracket is securely installed. Ensure the anti-tip bracket is engaged when the range is moved.
- ▶ **DO NOT** operate the range without the anti-tip bracket in place. Failure to follow the instructions in this manual can result in death or serious burns to children and adults.
- ▶ If the range is moved for cleaning, service, or any other reason, ensure that the anti-tip bracket is properly reengaged when the range is pushed back into place. In the event of abnormal usage (such as a person standing, sitting, or leaning on an open door), failure to take this



IMPORTANT SAFETY INSTRUCTIONS

READ AND SAVE THESE INSTRUCTIONS

precaution can result in tipping of the range. Personal injury might result from spilled hot liquids or from the range itself.

- ▶ Check for proper installation and use of anti-tip bracket. Carefully tip range forward pulling from the back to ensure that the anti-tip bracket engages the range and prevents tip-over. Range should not move more than 1" (2.5 cm).

1.4 Induction module

WARNING

Do not place metallic objects such as knives, forks, spoons, and lids on the cooktop surface since they can get hot.

After each use, turn off the cooking zone using the control knob. **DO NOT** rely on the pan detection feature to turn off the cooking zones when you remove the pans.

WARNING

Do Not Cook on a Broken Cooktop - If the cooktop should break, cleaning solutions and spillovers may penetrate the broken cooktop and create a risk of electric shock.

- ▶ Contact an authorized service provider immediately.

Electromagnetic interference

⚠ WARNING

This induction cooktop generates and uses ISM frequency energy that heats cookware by using an electromagnetic field. It has been tested and complies with Part 18 of the FCC Rules for ISM equipment. This induction cooktop meets the FCC requirements to minimize interference with other devices in residential installation. Induction cooktops may cause interference with television or radio reception. If interference occurs, the user should try to correct the interference by

- ▶ Relocating the receiving antenna of the radio or television.
- ▶ Increasing the distance between the cooktop and the receiver.
- ▶ Connecting the receiver into an outlet different than the cooktop.
- ▶ It is the user's responsibility to correct any interference.

⚠ CAUTION

Persons with a pacemaker or similar medical device should exercise caution when standing near an induction cooktop while it is in use.

- ▶ Consult your doctor or the manufacturer of the pacemaker or similar medical device for additional information about its effects with electromagnetic fields from an induction cooktop.

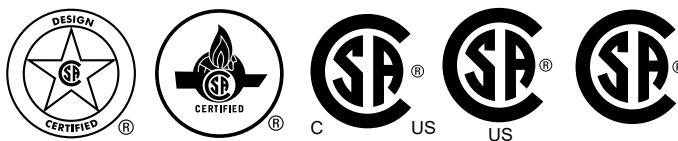
1.5 Remote operation

CAUTION

This appliance may be configurable to allow remote operation at any time.

- ▶ Do not store any flammable materials or temperature sensitive items inside, on top or near surface units of the appliance.

1.6 Requirements and standards



- The appliance must be electrically grounded in accordance with local codes or, in the absence of local codes, with the with the National Electrical Code, NFPA 70 or the Canadian Electrical Code, CSA C22.1.
- Installation must conform with local codes or, in the absence of local codes, with the National Fuel Gas Code, ANSI Z223.1/NFPA 54 or, in Canada, the Natural Gas and Propane Installation Code, CSA B149.1.
- Installation of appliances designed for manufactured (mobile) home installation must conform with the Manufactured Home Construction and Safety Standard, Title 24 CFR, Part 3280 [formerly the Federal Standard for Mobile Home Construction and Safety, Title 24, HUD (Part 280)] or with local codes where applicable.
- Installation of appliances designed for recreational park trailers must conform with state or other codes or, in the absence of such codes, with the ANSI A119.5 Park Model Recreational Vehicle Standard.
- See the Installation Instructions for electrical requirements, grounding instructions and clearance to combustible material requirements.
- Service should only be done by an authorized service provider.



IMPORTANT SAFETY INSTRUCTIONS

READ AND SAVE THESE INSTRUCTIONS

- It is the responsibility of the owner and the installer to determine if additional requirements and/or standards apply to specific installations.

1.7 Gas requirements

Natural gas w.c.

Minimum	7" (17.4 mbar)
Maximum	14" (34.9 mbar)

LP gas w.c.

Minimum	11" (27.4 mbar)
Maximum	14" (34.9 mbar)

- A manual valve must be installed in an accessible location in the gas piping external to the appliance for the purpose of turning on or shutting off gas to the appliance.
- In the event a burner goes out and gas escapes, open a window or a door. **DO NOT** attempt to use the appliance until the gas has had time to dissipate. Wait at least 5 minutes before using the appliance.
- The maximum depth of cabinets installed above cooking surface must be 13" (330 mm).

For Massachusetts installations:

- Installation must be performed by a qualified or licensed contractor, plumber or gas fitter qualified or licensed by the state, province or region where this appliance is being installed.
- Shut-off valve must be a "T" handle gas cock.
- Flexible gas connector must not be longer than 36" (914 mm).

1.8 State of California Proposition 65 Warnings

This product may contain a chemical known to the State of California, which can cause cancer or reproductive harm. Therefore, the packaging of your product may bear the following label as required by California:

STATE OF CALIFORNIA PROPOSITION 65 WARNING:



WARNING

Cancer and Reproductive Harm - www.P65Warnings.ca.gov

to the state to cause cancer, birth defect or other reproductive harm, and requires businesses to warn customers of potential exposure to such substances. The burning of gas cooking fuel and the elimination of soil during self-cleaning can generate small amounts of carbon monoxide. The fiberglass insulation in self clean ovens gives off very small amounts of formaldehyde during the first several cleaning cycles. California lists formaldehyde as a potential cause of cancer. Carbon monoxide is a potential cause of reproductive toxicity. Exposure to these substances can be minimized by:

- Providing good ventilation when cooking with gas.
- Providing good ventilation during and immediately after self-cleaning the oven.
- Operating the unit according to the instructions in this manual.

IMPORTANT SAFETY NOTICE: The California Safe Drinking and Toxic Enforcement Act requires the Governor of California to publish a list of substance known

2 Preventing material damage

2.1 Preventing oven cavity damage

NOTICE:

The presence of objects on the oven cavity bottom will cause heat to build up. The baking and roasting times will no longer be correct and the enamel will be damaged.

- ▶ Do not cover the oven cavity bottom with any sort of foil or greaseproof paper.
- ▶ Do not place accessories on the oven cavity bottom.

Do not allow aluminum foil in the oven cavity to come into contact with the door glass, it could cause permanent discoloration.

Never pour water into the oven cavity when it is still hot. Never place cookware containing water on the oven cavity bottom.

The prolonged presence of moisture in the oven cavity leads to corrosion.

- ▶ Allow the oven cavity to dry after use.
- ▶ Do not keep moist food in the oven cavity for a long time with the door closed.
- ▶ Do not store food in the oven cavity.

Leaving the appliance to cool down with the door open will damage the front of neighboring kitchen units over time.

- ▶ Always allow the oven cavity to cool down with the door closed after cooking at high temperatures. Only leave the oven cavity to dry with the door open if a lot of moisture was produced during operation.

Fruit juice dripping from the baking tray leaves stains that cannot be removed.

- ▶ When baking very juicy fruit pies, do not pack too much on the baking tray.

If the seal is very dirty, the appliance door will not close properly when the appliance is in operation. This may damage the front of adjacent kitchen units.

- ▶ Never operate the appliance if the seal is damaged or missing.

Sitting or placing objects on the appliance door may damage it.

- ▶ Do not place or hang objects on the appliance door.
- ▶ Do not place cookware or accessories on the appliance door.

With certain models, accessories may scratch the door glass when closing the appliance door.

- ▶ Always push accessories fully into the oven cavity.

Carrying the appliance by the door handle could break it. The door handle cannot support the weight of the appliance.

- ▶ Do not carry or hold the appliance by the door handle.

2.2 Preventing cooktop damage

NOTICE:

OPERATIONAL FAULT.

- ▶ Always turn the control knob to the **OFF** position when the appliance is not being used.

Overheating can damage the cookware.

- ▶ Do not heat empty pots or pans.

Hot cookware can cause the electronics to overheat.

- ▶ Never set down hot pans and pots on the control panel or the cooktop frame.

Aluminum foil and plastic melt on hot burners.

- ▶ Do not let aluminum foil or plastic come into contact with hot burners.

A build-up of heat may damage the appliance.

- ▶ Never cover the cooktop, for example with aluminum foil or oven protectors.
- ▶ Do not place roasters, frying pans or grill stones on more than one burner at a time.
- ▶ Only use the accessories specified.

Acidic liquids such as lemon juice or vinegar may damage the surface finish of the appliance.

- ▶ Remove spilled liquids immediately. Use caution while the burners are still hot.

Heat may cause damage to adjacent appliances or furniture. If the appliance is in operation for an extended period, heat and moisture will be generated. Additional ventilation is required.

- ▶ Open the window or switch on an extractor hood that discharges the extracted air and moisture outside the building.

3 Environmental protection and energy-saving

3.1 Disposal of packaging

The packaging materials are environmentally compatible and can be recycled.

- ▶ Sort the individual components by type and dispose of them separately.

3.2 Saving energy when using the oven

If you follow these tips, your appliance consumes less energy.

Only preheat the appliance if the recipe or the recommended settings tell you to do so.

- ✓ Not preheating the appliance can reduce the energy used.

Use dark-colored, black-coated or enameled baking pans.

- ✓ These types of baking pans absorb the heat particularly well.

Open the appliance door as little as possible during operation.

- ✓ This will maintain the temperature in the oven cavity and eliminate the need for the appliance to reheat.

When baking multiple dishes, do so in succession or at the same time.

- ✓ The oven cavity is heated after baking the first dish. This reduces the baking time for the second dish.

If the cooking time is relatively long, you can switch the appliance off 10 minutes before the cooking time ends.

- ✓ There will be enough residual heat to finish cooking the dish.

Remove any accessories that are not being used from the oven cavity.

- ✓ An extra pan without food affects the browning and cooking.

Allow frozen food to defrost before cooking.

- ✓ This will save the energy that would otherwise be required to defrost it.

3.3 Saving energy when using the cooktop

If you follow these tips, your appliance consumes less energy.

Select a cookware diameter that matches the burner.

Center the cookware on the burner.

Select cookware with a base diameter that matches the cooking zone. Center the cookware on the cooking zone.

Tip: Cookware manufacturers usually state the top diameter of the cookware. The diameter of the cookware base is usually smaller.

- ✓ The energy is targeted at the cookware.
If you use cookware that is too small, energy is wasted.
If the cookware is too large, much energy is used to heat up the cookware.

Close cookware with a fitting lid.

- ✓ Cooking without a lid consumes more energy.

Only lift the lid when necessary.

- ✓ If you lift the lid, a lot of energy can escape.

Use a glass lid.

- ✓ If you use a glass lid, you can look inside the cookware without lifting the lid.

Use cookware with a solid flat bottom.

- ✓ Curved cookware bases increase energy consumption.

Use a cookware size that matches the amount of food you want to cook.

- ✓ Cookware with little content consumes a lot of energy.

Cook with a small amount of water.

- ✓ More water requires more energy to heat it up.

Select a lower power level as soon as possible. Select a suitable power level to continue cooking.

- ✓ For ongoing cooking a lower power level is sufficient.

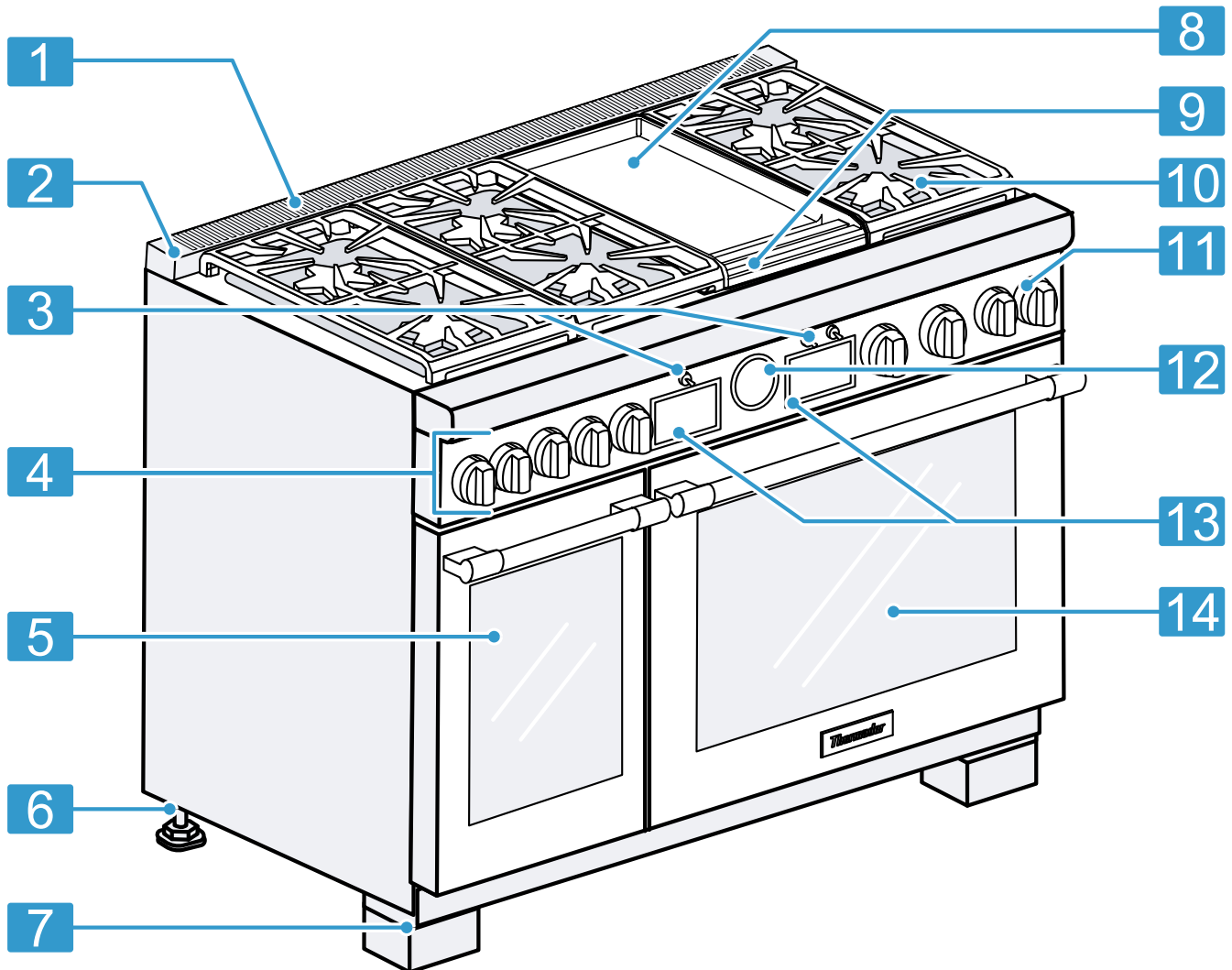
4 Familiarizing yourself with your appliance

This Use and Care Guide covers several models. Your model may have some but not all of the features listed.

4.1 Appliance

Here you can find an overview of the parts of your appliance.

Note: The graphics are representative. Your appliance may have different graphic or design appearances.



- | | |
|--|---|
| <p>1 Rear vent trim/oven vent</p> <hr/> <p>2 Island trim included or low backguard ordered separately
See Installation Guide concerning spacing behind the range when using the range with the island trim.</p> <hr/> <p>3 Light switch</p> <hr/> <p>4 Control panel</p> <hr/> <p>5 Secondary oven</p> <hr/> <p>6 Range feet</p> <hr/> | <p>7 Leg covers
Pro Grand® models only. If additional leg covers are required, you can order them from Customer Service at no charge for up to one year after delivery date of the appliance.
→ "Customer Service", Page 36</p> <hr/> <p>8 Griddle option
Options vary depending on model.</p> <hr/> <p>10 Griddle tray (electric griddle option)</p> <hr/> <p>11 Control knobs</p> <hr/> <p>12 Temperature gauge</p> <hr/> <p>13 Oven display</p> <hr/> <p>14 Main oven</p> <hr/> |
|--|---|

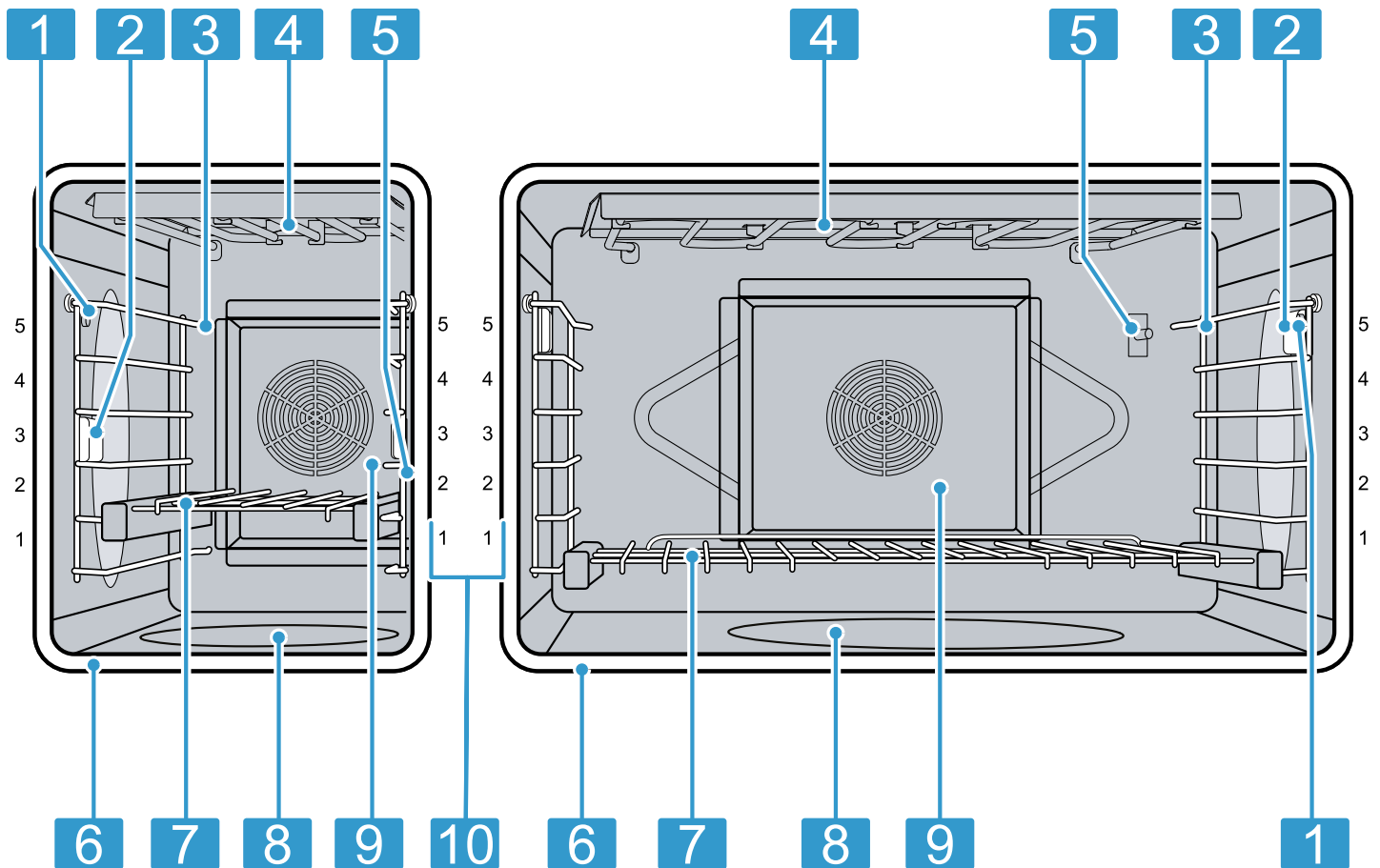
4.2 Oven cavity

Here you can find information about the features of the oven cavity.

⚠ CAUTION

Do not place anything on the oven cavity bottom. Do not cover it with aluminum foil. A build-up of heat could damage the appliance or cause injury.

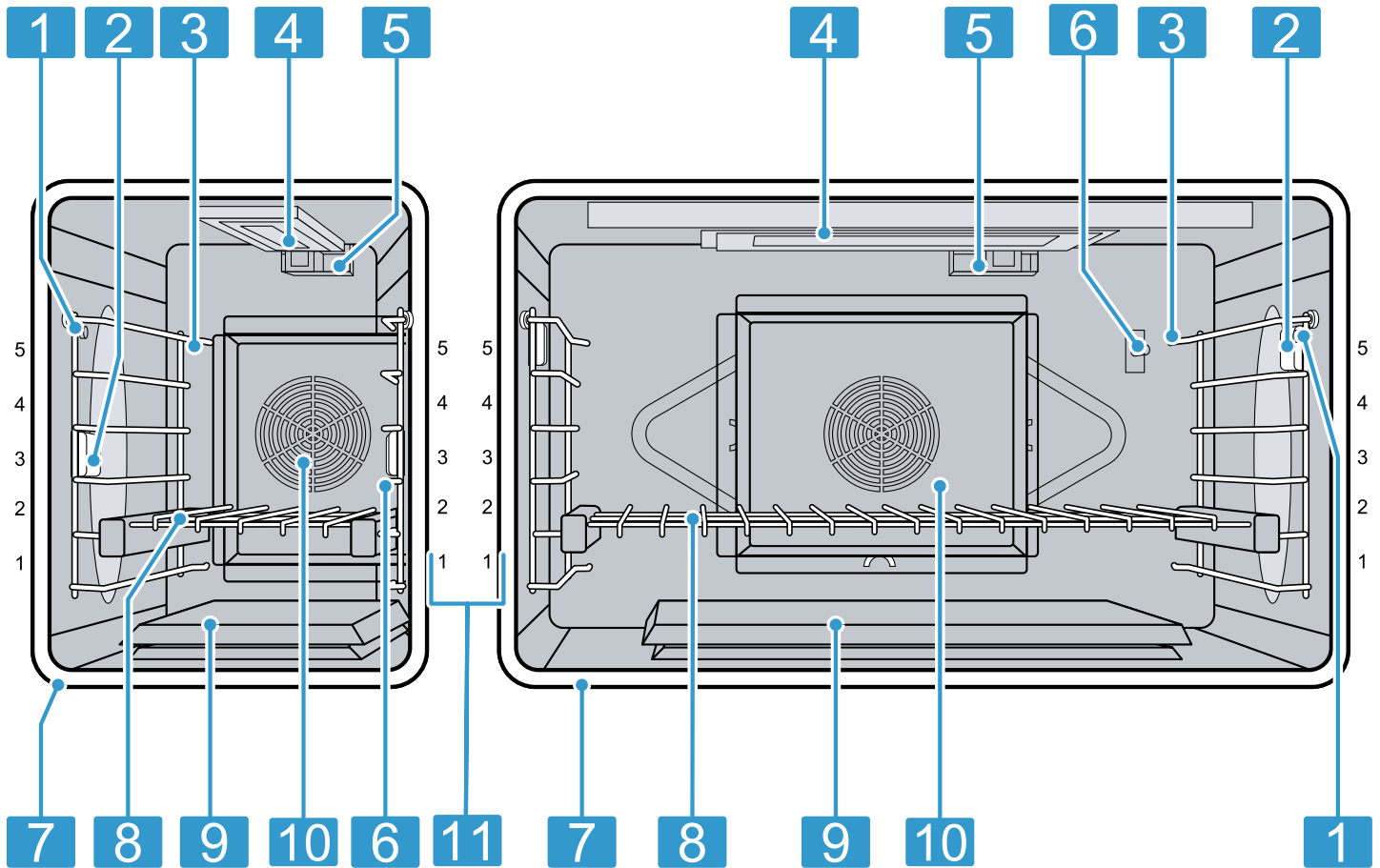
Dual fuel oven cavity



1	Socket for meat probe
2	Oven light
3	Oven rails
4	Broil element
5	Oven thermostat

6	Door gasket
7	Oven racks
8	Bake element, hidden
9	Convection fan cover
10	Rack positions

Gas oven cavity



1	Socket for meat probe
2	Oven light
3	Oven rails
4	Infrared broil burner
5	Broil igniter
6	Oven thermostat
7	Door gasket
8	Oven racks
9	Bake burner, hidden
10	Convection fan cover
11	Rack positions

Oven vent

Warm air may be released from the oven vent before, during and after cooking. It is normal to see steam escaping from the vent, and condensation may collect in this area. This area may be warm when the oven is in use.

⚠ CAUTION

The oven vents are important for air circulation. Covering the oven vents will cause the oven to overheat. Refer to the appliance overview for the location of the oven vents. → "Appliance", Page 11

- ▶ Do not obstruct oven vents.

Convection fan

The convection fan operates during all convection modes. When the oven is operating in a convection mode, the fan turns off automatically when the door is opened. The convection fan may also run during self-clean.

Cooling fan

The cooling fan runs during all cooking modes. The fan can be heard when it is running, and warm air may be felt as it is released from the oven vent. The fan may also run after the oven is off.

Oven light

Your appliance is equipped with an oven light. To turn the oven light on or off, flip the light switch on the oven control panel up or down.

Panel light

To turn the panel light on or off, flip the light switch on the oven control panel up or down.

Temperature gauge

The needle of the gauge points to the selected temperature and is for reference only. It does not reflect the actual temperature of the oven.

4.3 Oven controls

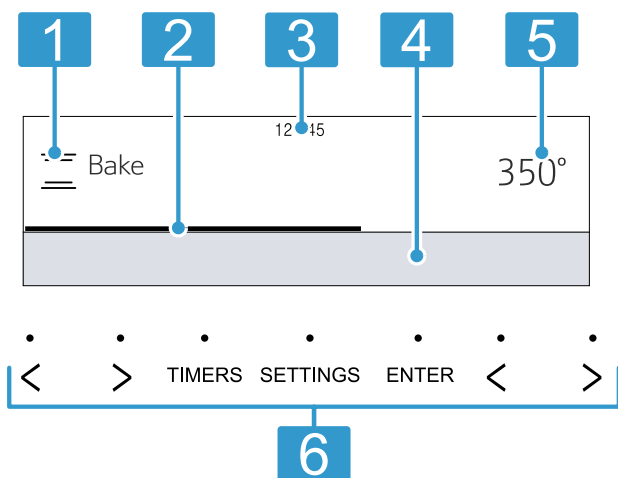
Depending on model, the control elements for each oven cavity may include a dual-function knob or two separate knobs for mode and temperature selection and an oven display with touch keys.

Operating the dual function control knob

For some ranges you can set the heating mode and temperature for the oven cavity with the same control knob.

1. Turn the settings ring around the control knob to set the heating mode.
2. Turn the control knob to set the temperature.

Oven display



1	Operating mode Currently selected heating mode or function
2	Progress bar Fills up to indicate progress, e.g. for <ul style="list-style-type: none"> ■ preheating ■ meat probe temperature
3	Clock Displays the time of day during all operating modes
4	Information area Displays instructions or information

5	Mode setting Heating mode settings, e.g. temperature
6	Touch keys

Oven touch keys

Here you can find information on the basic operating features of your oven.

Touch key	Function
<>	Navigate through display options
TIMERS	Enter the timer menu
SETTINGS	Access the basic settings
ENTER	Confirm entered values / Start heating mode

4.4 Rangenop control knobs

The icon next to each control knob shows the layout of the rangetop. The black section shows which burner the control knob is designated to.

Depending on model and functions, the control knobs may have the following markings:

Position	Setting
OFF	Burner or cooking zone turned off
Burners	
⚡	Ignition
HI	Highest standard heat setting
LO	Lowest standard heat setting
XLO	ExtraLow®
XHI	PowerBoost®
Induction zone	
1 - 9	Power levels
⏸	HeatShift®
⊕	Liberty® cooking zone
XHI	PowerBoost®
Electric griddle	
250 - 500	Temperature setting in °F

5 Accessories

Only use original accessories. These are designed especially for your appliance. The accessories supplied may differ depending on the appliance model.

5.1 Oven accessories

Your appliance includes the following oven accessories.

Other accessories	Use
Wire rack	<ul style="list-style-type: none"> These racks can be used for most cooking. You can use multiple racks at the same time. <p>Note: Do not clean using the SELF CLEAN function.</p>
Telescopic rack	<p>Use with heavier dishes to make placement into the oven easier.</p> <p>Note: Do not clean using the SELF CLEAN function.</p>
Meat probe	<p>The meat probe can be used to determine the internal temperature of many foods, especially meats and poultry.</p> <p>Notes</p> <ul style="list-style-type: none"> Do not clean using the SELF CLEAN function. Do not clean in the dishwasher.
Broiler pan and grid	<p>Use for broiling and roasting.</p> <p>Notes</p> <ul style="list-style-type: none"> Do not clean using the SELF CLEAN function. You can clean this accessory in the dishwasher.

5.2 Other accessories

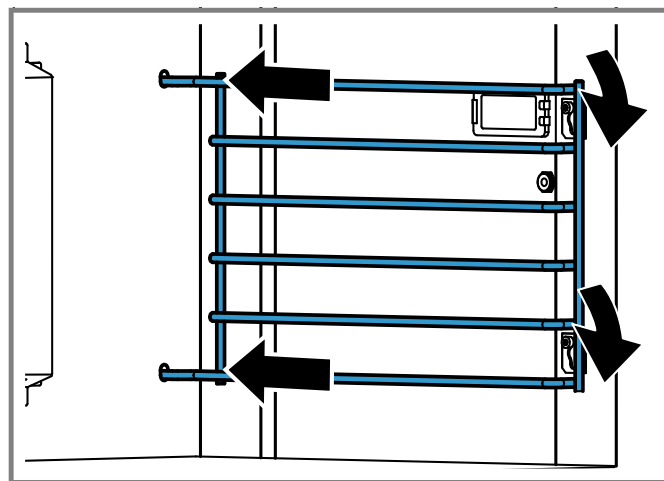
You can purchase other accessories from our Customer Service, specialist retailers or online. You will find a comprehensive range of products for your appliance in our brochures and online: www.thermador.com

Accessories are appliance-specific. When purchasing, always check for compatibility with your appliance model number (E-Nr). You can find out which accessories are available for your appliance in our online shop or from our Customer Service.

5.3 Installing the rack guides

1. Push the two rails in the holes in the back of the oven cavity ①.
2. Slide the guide's key slots over the shoulder bolts.

3. Press down on the front of the rack guide ②.

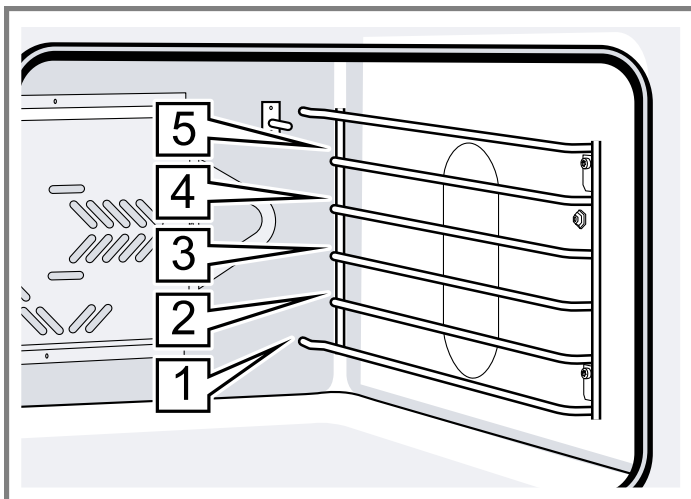


Removing the rack guides

1. Press up on the front of the rack guide to clear the heads of the two shoulder bolts.
2. Pull out the rack guide towards the front.

5.4 Rack positions

Your oven has 5 rack positions. The rack positions are counted from bottom to top. Use rack positions 1 through 5 only. **DO NOT** attempt to use the top guide to support an oven rack, it may tip.



Refer to our recommendations for selecting the suitable rack position.

5.5 Safe use of oven racks

For your safety, follow these recommendations on how to use the oven racks correctly.

CAUTION

Placement of Oven Racks - Always place oven racks in desired location while oven is cool. If the rack must be moved while the oven is hot, do not let potholders contact the hot heating elements in the oven. Use caution when removing oven racks from the lowest rack position to avoid contact with the hot oven door.

CAUTION

To avoid possible injury or damage to the appliance, ensure oven rack is installed exactly per installation instructions and not backwards or upside down. Do not slide any accessories between the rack positions, or they may tip.

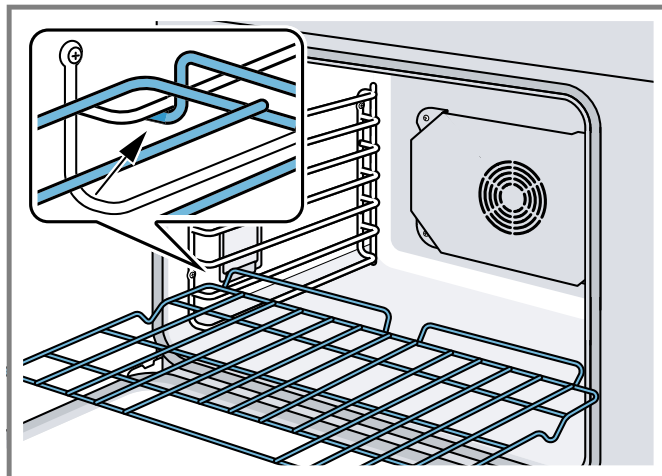
5.6 Inserting the wire rack

The wire rack can be used in the conventional oven on level 1 to 5.

Requirement: You have read the recommendation on → "Safe use of oven racks", Page 16.

1. Grasp the rack firmly on both sides.

2. Tilt the rack up to allow the stop into rack guide.



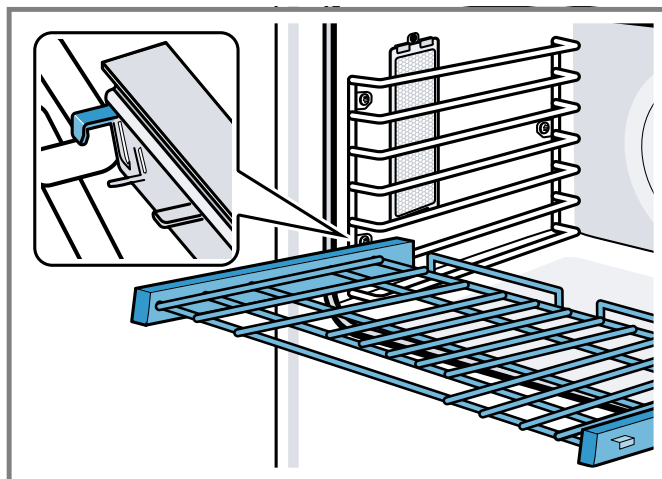
3. Bring the rack to a horizontal position and push it in the rest of the way.

The rack should be straight and flat, not crooked.

5.7 Installing the FullAccess® racks

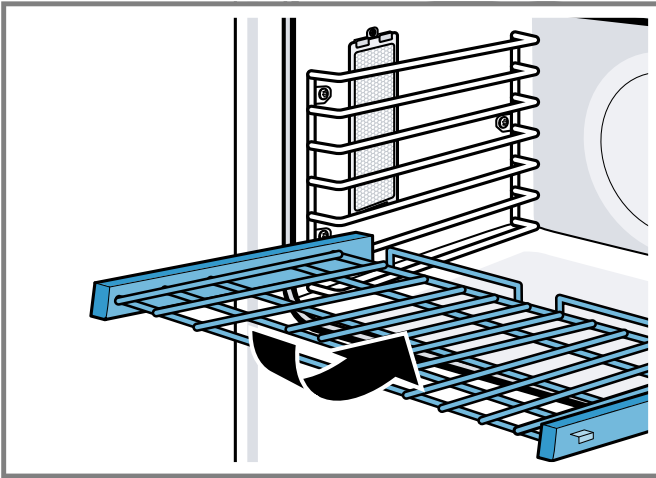
Requirement: You have read the recommendation on → "Safe use of oven racks", Page 16.

1. Hold the telescopic rack at a slight angle and engage the rear hooks in the oven rails on both sides of the oven cavity.

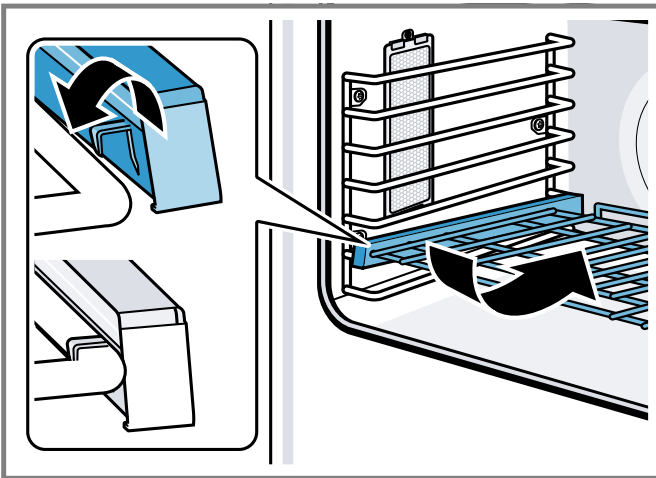


2. Hold the rack straight to allow the second tab to rest over the oven rail.

3. Push the rack in until it is even with the front hooks.



4. Lift the rack up to lock the last hook into place.



5. Push the rack in completely.
6. Make sure that the front hooks of the telescopic rack engage in the oven rails.

6 Before using for the first time

Carry out these steps before using your appliance.

- The appliance must be properly installed by a qualified service provider before use.
- Read and understand all safety precautions → *Page 3* and information in the Use and Care Guide prior to operating.
- Download the Home Connect® (America) app to remotely control your appliance, get cooking inspiration, and access service tips and support.
→ *"Home Connect®", Page 25*
- This Use and Care Guide covers several models. Not all features are available on all models.

6.1 Start-up settings

After the appliance has been connected to the power supply, you are prompted to set some basic settings to ensure you can use your appliance conveniently and safely.

Requirement: All oven control knobs are turned to **OFF**.

1. Connect the appliance to the power supply.
- ✓ The basic settings open automatically.

2. Select a setting with the left < or >.
 3. Change the desired option with the right < or >.
 4. Press **ENTER** to confirm the selection or **SETTINGS** to discard the changes.
- ✓ The screen changes to standby mode.

Note: You can access the settings at any time by pressing **SETTINGS** while the appliance is in standby mode. All oven knobs must be turned to **OFF** to access the settings.

6.2 Cleaning the appliance before using it for the first time

Clean the oven cavity and accessories before using the appliance to prepare food for the first time.

1. Remove all packaging materials from the oven cavity. For models with two ovens check both oven cavities.
2. Before heating the appliance, wipe the smooth surfaces in the oven cavity with a soft, damp cloth and dry.
3. Keep the room ventilated while the appliance is heating.
4. Heat up the oven according to the following instructions.
 - With conventional heating mode:
 - Set the oven to **CONV BAKE** at 450°F (230°C) for 20 to 30 minutes.
 - Then set the oven to **BROIL** for 20 to 30 minutes.
 - With self-clean function (if equipped):
 - Remove oven racks.
 - Set the oven to **SELF CLEAN**.
→ *"Self clean function", Page 31*
5. Wait until the oven cavity has cooled off.
6. Clean the smooth surfaces with soapy water and a dish cloth.
7. Wash the accessories thoroughly with soapy water and a cloth and rinse well.
8. If equipped, heat up the electric griddle for about 10 minutes to eliminate manufacturing residues and smells. Let cool and wash with warm soapy water and rinse well.

Note: There may be a slight odor during first uses. This is normal and will disappear.

6.3 Burner cap placement

The burner caps must be properly placed for the cooktop to function properly.

If the burner cap is not properly placed, one or more of the following may occur:

- Burner flames are too high
- Flames shoot out of the burners
- Stainless steel discolorations
- Burners do not ignite
- Burner flames light unevenly
- Burner emits gas odor

⚠ WARNING

To prevent flare-ups do not use the cooktop without all burner caps and all burner grates properly positioned.

⚠ CAUTION

To prevent burns, do not touch burner caps or grates while hot.

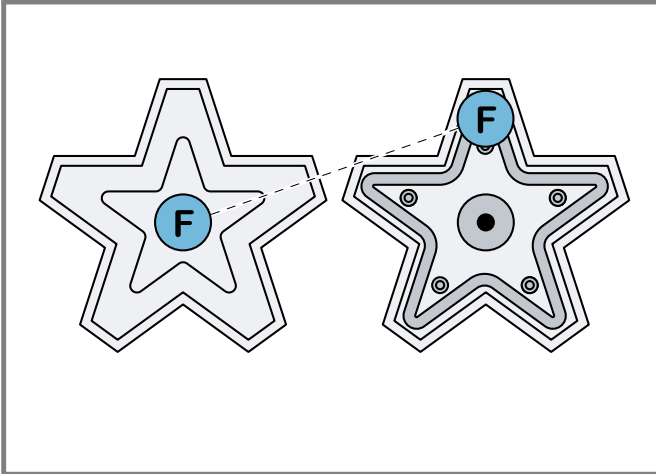
- ▶ Turn the cooktop off and allow the burners to cool.

Your rangetop has sealed STAR® burners. There are no burner parts under the rangetop to clean, disassemble or adjust.

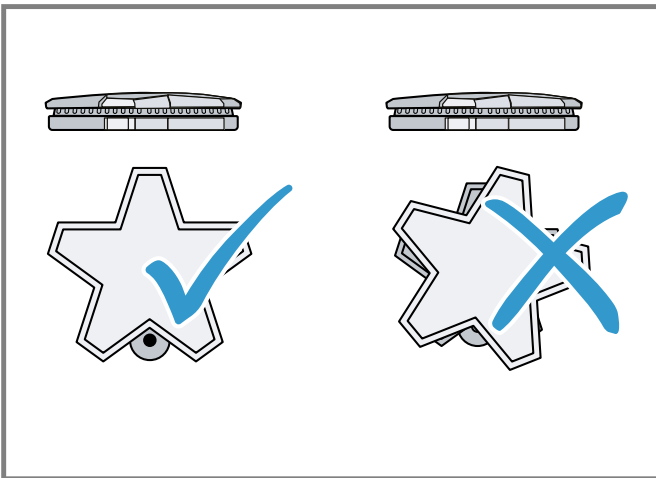
Placing the burner caps

Each cap has a letter (B, D, or F) cast in the underside of the cap that corresponds to a letter (B, D, or F) cast in the burner base that is attached to the appliance.

1. Place each burner cap on its correct burner base per its corresponding letter designation.



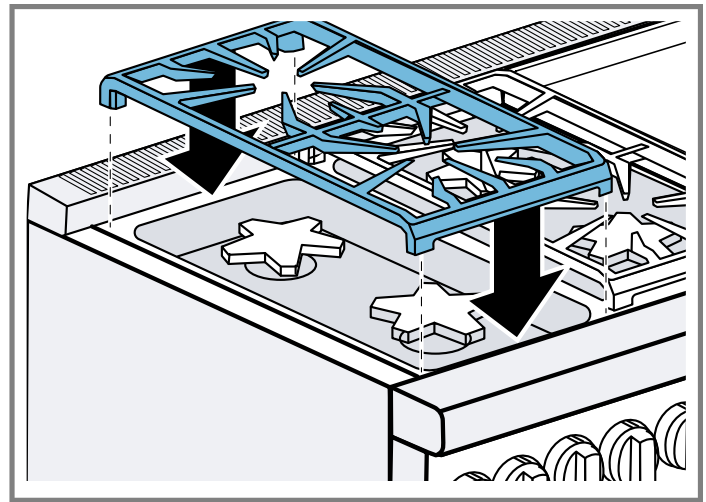
2. Place the burner cap gently on top of base so that the prongs of the burner base fit snugly into the groove of the burner cap.
3. Check each burner to make sure there is no gap between the burner cap and burner base.
 - Gently try to move the burner caps from side to side to check if the caps are properly placed on the burner bases.
 - When properly placed, each burner cap rests flat on top of its burner base, and completely covers the star-shape of the burner base when viewed from the top.



6.4 Placing the burner grates

For proper combustion do not use the rangetop without the burner grates in place.

1. Place the burner grates flat-side down and align them into the rangetop recess.
2. The burner grates should rest flush against each other and against the sides of the recess.



6.5 Register your appliance

- ▶ Register your Thermador product to access your product related information. For product registration information see
 - "Customer Service", Page 36
 - "Customer Service", Page 36.

7 Oven operation

Here you will find out everything you need to know about operating your oven.

7.1 Oven heating modes and functions

Check here to see which oven modes are available for the main oven and the auxiliary oven, if equipped.

Note: This Use and Care Guide covers several models. Your model may have some but not all of the features listed.

Mode	Definitions and recommendations	Electric main	Gas main	Electric aux.	Gas aux.
BAKE	Cooks with dry, heated air. Use for a variety of foods, such as cakes, cookies, pastries, quick breads, quiche and casseroles.	+	+	+	+
CONV BAKE	Similar to bake, but air is circulated by a fan at the back of the oven. Best for baked goods such as cakes, corn-bread, pies, quick breads, tarts, and yeast breads.	+	+	+ ¹	+ ¹
TRUE CONV	Cooks with heat from a third element at the back of the oven. The heat is circulated throughout the oven by the convection fan. Well suited for cooking individual serving-sized foods such as cookies and pastries.	+	—	—	—
BROIL	Uses intense heat radiated from the upper element. Use for tender cuts of meat, 1" (2.5 cm) or less, poultry, browning bread and casseroles.	+	+	+	+
CONV BROIL	Combines intense heat from the upper element with fan circulation. Tender cuts of meat, more than 1" (2.5 cm), poultry and fish. Not for browning.	+	—	+ ¹	—
PROOF	Use for raising yeast dough and sourdough.	—	—	+	+
ROAST	Uses a more intense heat for browning of the exterior. Best suited for meats, poultry, less tender cuts of meats and roasting vegetables.	+	+	+ ¹	+
CONV ROAST	Uses lower and more intense heat from the upper element than convection bake with air circulated by a fan. Use for tender cuts of meat and poultry and roasting vegetables. Meats are more juicy and moist than results with roast mode.	+	—	+ ¹	—
SABBATH /extend bake	This cooking mode is for assisting the user for compliance to Sabbath principles.	+	+	+ ¹	+ ¹
WARM	Maintains a low temperature in order to keep food hot. Best for baked goods such as cakes, corn-bread, pies, quick breads, tarts, and yeast breads.	—	—	+	+ ²
SELF CLEAN	The oven reaches a high temperature to burn off food soil.	+	+ ¹	+	+ ¹
REMOTE START ³	Allows you to start, pause, and abort oven programs remotely via the Home Connect® app on a mobile device.	+	+	—	—
FAST PREHEAT ³	A symbol is displayed when fast preheating is activated.	+	—	+	—
PROBE ³	Appears when a probe is detected.	+	+	+	+

¹ Pro Grand® models only

² Pro Harmony® models only

³ Not available on 30" models

Mode	Definitions and recommendations	Electric main	Gas main	Electric aux.	Gas aux.
KITCHEN TIMER ³	The kitchen timer runs independently of the other appliance functions.	+	+	+	+
OVEN TIMER ³	Allows you to set a cook timer. Shows the amount of time that the oven mode will run before turning off automatically.	+	+	+	+
DELAY COOK ³	Used when delaying the start of a timed oven mode. Shows the time of day that the oven mode will automatically end.	+	+	—	—
PANEL LOCK ³	Prevents the oven from being turned on or its settings from being changed accidentally.	+	+	+	+
Door lock ³	Symbol is displayed during and after the self-clean mode when the door is locked.	+	+	+	+
Remote service ³	Symbol is displayed if Customer Service is connected during remote access.	+	+	—	—
SETTINGS ³	Press to access the basic settings.	+	+	—	—
HOME CONNECT ³	Remotely control your appliance with a quick click or voice command.	+	+	—	—

¹ Pro Grand® models only

² Pro Harmony® models only

³ Not available on 30" models

7.2 Setting the heating mode and temperature

- Place the rack in the desired rack position and shut the oven door.
- Turn the mode selection knob to the desired heating mode.
 - ✓ The selected heating mode is shown on the display.
- Turn the temperature selection knob to the desired temperature.
 - ✓ The selected temperature is shown on the display.
 - ✓ The progress bar moves to the right as the oven heats up.
- When preheating is complete a beep sounds. Place the food inside the oven.

Turning the oven off

- ▶ Turn both control knobs to **OFF**.
- ✓ The oven turns off and the clock is displayed.

7.3 Heating time limitation

The maximum heating time is limited. If you forget to turn off the oven, it turns off automatically after a set period of time.

The maximum time for Sabbath mode is 74 hours. For all other heating modes the maximum allowed time is 24 hours.

Temperature °F (°C)	Max. time allowed without activity
100 - 200 (30 - 120)	24 hours
201 - 550 (121 - 300)	12 hours

7.4 Fast preheat

With fast preheat, you can shorten the preheat time required for some heating modes. Fast preheat is generally recommended for frozen convenience foods, casseroles, or other foods that require longer baking times. This mode is not recommended for baked goods.

Once **FAST PREHEAT** is activated in the basic settings, it will be activated every time you start a heating mode.

Fast preheat is available for the following heating modes:

- **BAKE**
- **CONV BAKE**
- **ROAST**
- **CONV ROAST**

Setting fast preheat

Requirement: The oven is in standby mode.

- Press **SETTINGS**.
- Press the left (or) to scroll to **FAST PREHEAT**.
- Press the right (or) and select **ON**.
- Press **ENTER**.
- To disable **FAST PREHEAT** select **OFF**.

Note: After a power failure it might be necessary to activate **FAST PREHEAT** again.

7.5 Meat probe

The meat probe measures the internal temperature of the food. You can set a core temperature and the heating mode turns off automatically as soon as the set temperature is reached.

You can use the meat probe with the following heating modes:

- **BAKE**
- **CONV BAKE**
- **ROAST**
- **CONV ROAST**

IMPORTANT

- The probe function is not available when an oven timer or end timer has been set.
- Do not store the meat probe in the oven cavity.

Inserting the meat probe**Requirements**

- Food must be completely thawed before inserting the probe into the meat.
- The probe ships with a black plastic safety cap over the pointed metal end of the probe. The cap must be removed prior to use.

1. Insert the tip of the probe in the middle and thickest part of the meat or the breast for poultry. Make sure the probe is not touching fat, bone or parts of the oven or the pan.

Always use the handle of the probe for inserting and removing.

2. Insert the plug of the probe into the socket at the side of the oven cavity.

Push the probe in all the way and pull back until it catches in the socket.

Setting the meat probe

1. Insert the probe end into the meat and the plug end into the probe outlet in the oven wall.
→ *"Inserting the meat probe", Page 21*
2. Close the oven door.
3. Set the desired heating mode and temperature.
4. Press the right < or > to select the desired internal temperature.
 - ✓ The set internal temperature \nearrow and the current temperature measured by the meat probe are displayed side by side on the display.
 - ✓ The progress bar moves to the right as the internal cooking temperature increases.
 - ✓ When the internal temperature reaches the set value, the heating mode stops. A beep indicates that the cooking process has concluded.
 - ✓ The heating mode turns off automatically.
 - ✓ Always use potholders to remove the probe.

7.6 Turning the panel lock on or off

With the panel lock you can disable all touch keys on the control panel.

Requirement: The oven is in standby mode.

1. Press and hold **PANEL LOCK** for 4 seconds.
 - ✓ "panel locked" and \leftrightarrow is displayed.
 - ✓ The panel lock is activated.
2. Press and hold **PANEL LOCK** again for 4 seconds to turn off the panel lock.
 - ✓ \leftrightarrow goes out.
 - ✓ The display returns to standby mode.

7.7 Kitchen timer

The kitchen timer is a countdown timer that has no affect on oven heating.

You can set a kitchen timer for up to 24 hours.

You can use the kitchen timer independently of other functions, and whether the appliance is turned on or off.

Setting the kitchen timer

1. Press **TIMERS**.
2. Press the left < or > to scroll to \square **KITCHEN TIMER**.
3. Press the right < or > to set the desired time.
4. Press **ENTER**.
- ✓ When the kitchen timer has counted down a beep sounds.
5. Press **ENTER** cancel the timer or to turn off the beep.

Changing the kitchen timer

1. Press **TIMERS**.
2. Press the left < or > to set the desired time.
3. Press **ENTER**.

7.8 Oven timer

If you set an oven timer, the oven stops heating automatically once this time has elapsed.

Setting the oven timer

The oven timer automatically ends a heating mode after a set period of time.

1. Set a heating mode and temperature.
2. Press **TIMERS**.
3. Press the left < or > and select \rightarrow "Oven Timer".
4. Press the right < or > to set the oven time.
5. Press **ENTER**.
 - ✓ The oven timer starts to count down.
 - ✓ When the oven timer has counted down a beep sounds and the heating mode stops.
6. Press **ENTER** to cancel the timer or to turn off the beep.

Changing the oven timer

1. Press **TIMERS**.
2. Press the left < or > to set the desired time.
3. Press **ENTER**.

Setting an end time

With this feature you can program your oven to finish a heating mode at a predetermined time.

⚠ CAUTION

Food might spoil when left standing for too long.

- ▶ To maintain food safety, do not leave food in the oven for more than one hour before or after cooking.

1. Turn the mode selection knob to **BAKE**, for example.
2. Press **TIMERS**.
3. Press the left < or > and select \rightarrow "Oven Timer".
4. Press the right < or > to set the oven time.
5. Press the left < or > and select \rightarrow "End Time".
6. Press the right < or > to set the end time.
7. Press **ENTER**.
8. Turn the temperature knob to 350, for example.
 - ✓ After confirming the end time the waiting time notification appears.
 - ✓ After the waiting period the oven starts heating.

7.9 Sabbath mode

The Sabbath mode enables those of particular faiths to use their ovens on the Sabbath.

About Sabbath mode - using the rangetop

WARNING

When using a blech, use only one STAR® burner at the lowest setting. Using multiple STAR® burners might cause overheating, combustion issues, or damage to the appliance. DO NOT cover vent openings.

- When Sabbath mode is initiated, the STAR® burners with the ExtraLow® feature are deactivated.
- The standard STAR® gas burners without the ExtraLow® feature remain fully functional.
- The induction or griddle module is fully functional during Sabbath mode.
- The standard gas STAR® burners remain on during a power failure.
- The STAR® burners are equipped with a re-ignition feature. The igniter will automatically re-light the STAR® burner if the flame is blown out.

About Sabbath mode - using the oven

- Sabbath mode is only available in **BAKE** mode.
- The temperature range may be set between 150 °F (66 °C) and 475 °F (246 °C).
- You can keep cooked dishes warm for a minimum time of 30 minutes and up to a maximum time of 74 hours without needing to switch the appliance on or off.
- Do not leave easily perishable foodstuffs in the oven for too long.
- On the Sabbath, in lieu of a blech, the oven controls should be covered. Be careful not to cover vent openings.
- The oven lamps are disabled in Sabbath mode.
- The temperature may be adjusted for cooking purposes during Holidays. There is a delay between the request and implementation.

Setting Sabbath mode - Models with display

1. If you are using Sabbath mode for the first time or have reset the appliance to factory settings, you have to activate Sabbath mode in the basic settings:
 - Press the left < or > to scroll to "Sabbath".
 - Press the right < or > to scroll to "On".
 - Press **ENTER**.
 2. Turn the mode selection knob to **BAKE**.
 3. Turn the temperature selection knob to the desired temperature.
 4. Press **TIMERS**.
 5. Press the left < or > to scroll to Sabbath Timer.
 6. Press the right < or > to select the duration 30 minutes increments.
 7. Press **ENTER**.
- ✓ A 5 minutes delay notification appears on the display. During this pause, you can adjust the parameters. After the countdown the oven starts heating and all buttons are disabled.

Setting EXTEND BAKE mode - models without display

1. Turn the mode selection knob to **EXTEND BAKE**.

2. Turn the temperature selection knob to the desired temperature.

Canceling Sabbath mode

- ▶ Turn all knobs to **OFF**.

7.10 Basic Settings - Oven

You can configure the basic settings for your appliance to meet your needs.

Overview of the basic settings

Here you can find an overview of the basic settings and factory settings. The basic settings depend on the features of your appliance.

Setting	Options
Time of day	Time in hours and minutes
Language	<ul style="list-style-type: none"> ■ English ■ Français ■ Español
Clock format	<ul style="list-style-type: none"> ■ 12 hr ■ 24 hr
Clock display	<ul style="list-style-type: none"> ■ Digital ■ Analogue
Fast preheat	<ul style="list-style-type: none"> ■ On ■ Off
Key press sound	<ul style="list-style-type: none"> ■ On ■ Off
Display brightness	1 - 5
Standby mode	<ul style="list-style-type: none"> ■ On ■ Off
Dark mode	<ul style="list-style-type: none"> ■ On ■ Off
Convection conversion	<ul style="list-style-type: none"> ■ On ■ Off
Temperature offset	-35° to +35° F (-20° to +20 °C)
Sabbath mode	<ul style="list-style-type: none"> ■ On ■ Off
Home Connect®	→ "Home Connect®", Page 25
Factory settings	Restore
Service access	Connect
Customer Service	Displays Customer Service contact information

Changing the basic settings

Requirement: The oven is in standby mode.

1. Press **SETTINGS**.
 2. Select a setting with the left < or >.
 3. Change the desired option with the right < or >.
 4. Press **ENTER** to confirm the selection or **SETTINGS** to discard the changes.
- ✓ The display changes to standby mode.

Oven temperature offset

The oven is calibrated to provide accurate results. This feature is useful if you prefer your foods lighter or darker.

- When an offset temperature is selected, the actual oven temperature is raised or lowered by this value.
- Do not use residential oven thermometers to evaluate oven temperatures as they will fluctuate throughout cooking.
- You can set a temperature offset from the factory baseline. Each time you call up the temperature offset option in the basic settings menu, the factory baseline temperature is restored so you can set a new offset value.

Setting the temperature offset - models with display

Requirement: The oven is in standby mode.

1. Press **SETTINGS**.
2. Select a setting with the left < or > to scroll to the temperature offset setting.
3. Press the right < or > to set the desired offset value.
4. Press **ENTER**.

Setting the temperature offset - models without display

Requirements

- Carry out the following steps within 5 minutes of a power reset.
- The oven door is closed.
- All control knobs are in **OFF** position.
- For models with self clean function, the door latch must be unlocked.

1. Identify the knob position for the temperature offset you want to apply.

Knob position	Temperature offset value in °F
225	-50
250	-40
275	-30
300	-20
325	-10
350	0
375	10
400	20
425	30
450	40
475	50

2. Reset the power at the breaker panel.

The power must remain off for at least 20 seconds.

3. Complete the next steps within 5 seconds after the door is opened.

- Open the oven door.
- Turn the mode selection knob to **BROIL**.
- Turn the temperature selection knob to the desired offset value.
- Close the oven door.
- Turn the temperature selection knob back to **OFF**.

- ✓ All oven LEDs flash 4 times: The temperature offset has been initiated.

- ✓ All oven LEDs flash 8 times: You have rotated the mode selection knob to a position other than **OFF**, or more than 1 minute has passed with no activity. The mode is exited without any change to the offset value.

Convection conversion

The heating modes **CONV BAKE** and **TRUE CONV** require a 25°F (14°C) reduction in temperature. Convection conversion reduces the temperature you enter automatically by this value.

- The convection conversion has to be activated and deactivated in the basic settings menu. In case of a power outage convection conversion needs to be reset.
→ "Changing the basic settings", Page 22
- Simply enter the package or recipe temperature when setting the heating mode. The correct temperature is calculated automatically and is shown in the display.
- Convection conversion is available for the heating modes **CONV BAKE** and **TRUE CONV** modes only.
- For meats and poultry, the temperature should not be reduced. The same temperature recommended in recipes and cooking charts for meats and poultry should be used.

7.11 Getting the most out of your appliance

Here, you can find tips on how best to use the heating modes and accessories of your oven. You can also find recommended settings for various dishes as well as the best accessories and cookware.

Download the Home Connect® (America) app to access cooking tips and tricks, as well as get cooking inspiration.

Preheating the oven

- Most cooking times in recipes are designed for a preheated oven and require that the oven already be at a certain temperature before cooking starts. Refer to your recipe for preheating recommendations.
- Preheating time depends on the temperature setting and the number of racks in the oven. Remove unused oven racks to shorten the preheat time.
- Preheating is not necessary for **ROAST** and **CONV ROAST**.

Bakeware type

- Metal bakeware with or without a non-stick finish, heat-proof glass, glass-ceramic, pottery, or other utensils are suitable for the oven.
- Suitable cookie sheets have a small lip on one side. Heavy sheets or those with more than one side may affect the baking time.

Pan placement

- Allow at least 1" (2.5 cm) of space between the pans and the oven walls so heat can circulate around each pan.
- Stagger all bakeware except cookie sheets so that one is not directly above another. Allow 1½" (4 cm) above and below each pan.

High altitude baking

When cooking at high altitudes, recipes and cooking times will vary. For accurate information, go to www.csuextstore.com, or write to the Extension Service, Colorado State University, Fort Collins, Colorado 80521. There may be a cost for the guides. Specify which high altitude food preparation guide you prefer: general information, cakes, cookies, breads, etc.

Condensation

It is normal for a certain amount of moisture to evaporate from the food during any cooking process. The amount depends on the moisture content of the food. The moisture will condense on any surface cooler than the inside of the oven, such as the control panel.

Tips for using BROIL mode

Level	Recommended for
5	<ul style="list-style-type: none"> ■ Beef steaks, ground meat patties, ham steak and lamb chops 1" (2.5 cm) or less in thickness ■ Top browning foods
4	<ul style="list-style-type: none"> ■ Meat 1½" (3 cm) or more in thickness ■ Fish, poultry, pork chops and ham steaks 1" (2.5 cm) or more in thickness
3	<ul style="list-style-type: none"> ■ Chicken quarters or halves

Tips for using convection modes

- To convert most recipes for baked items, such as cookies, cakes, pies, etc., reduce the oven temperature by 25°F (14°C), or activate convection conversion.
- Do not reduce the temperature for meats and poultry. Use the same temperature recommended in recipes and cooking charts for meats and poultry.
- Use low, shallow bakeware with convection cooking. This allows the heated air to circulate around the food.
- When baking on more than one rack, do not stagger cookie sheets; round cake pans should be staggered.
- For small items such as cookies, check 1 - 2 minutes before the recipe time.
- For larger baked items such as cakes, check 5 - 6 minutes before the time indicated on the recipe.
- Large meat or poultry items may cook up to 30 minutes less than the suggested time. Check them so they will not be over baked.
- **TRUE CONV** is best when baking multiple racks of cookies, pastries and other individually baked goods.

Tips for using ROAST mode

- Use a high-sided broiler pan to minimize grease splatter. If you do not have this pan, we recommend covering your dish with a lid or foil.
- For less tender cuts of meats, add liquids, such as water, juice, wine, bouillon, or stock for flavor and moisture.
- You can use roasting bags for the standard roasting mode. When roasting a whole chicken or turkey, tuck the wings behind the back and loosely tie the legs with kitchen string.

Tips for using CONV ROAST mode

- The roasting time may decrease; check your dish a little earlier than the recipe indicates.
- If your oven comes with a broiler pan and tray, use that for roasting. A shallow, uncovered pan can also be used.
- For convection roasting, do not cover meat dishes or use roasting bags.

8 Rangetop operation

Here you will find out everything you need to know about operating your rangetop.

8.1 Turning on a burner



CAUTION

DO NOT touch the burners when the igniters are sparking.



WARNING

Escaping gas can ignite.

- ▶ If the burner does not turn on after 15 seconds, turn off the control knob and open the door or window in the room. Wait at least 1 minute before igniting the burner again.

1. Press in on the knob and turn it counter-clockwise to *f*.
2. Rotate the knob to any flame setting between **HI** and **LO**.

Note: There is a slight sound associated with gas combustion and ignition. This is a normal condition.

Turning off a burner

- ▶ Turn the control knob clockwise to OFF.

8.2 Automatic re-ignition

Each burner has its own electronic igniter that sparks when the burner is turned on. Each burner should light in four seconds or less.

- If a burner does not light, check to see that the cap is positioned correctly on the base.
- If one or more burners blow out, the electronic igniter automatically activates to re-light the flame. Do not touch the burners when the igniters are active.
- For flame height verification and adjustment instructions, refer to the Installation Guide included with the appliance.

8.3 In case of a power failure



WARNING

In the event of a power failure, turn all knobs to the OFF position. Only the burners that are not equipped with the ExtraLow® feature can be lit manually.

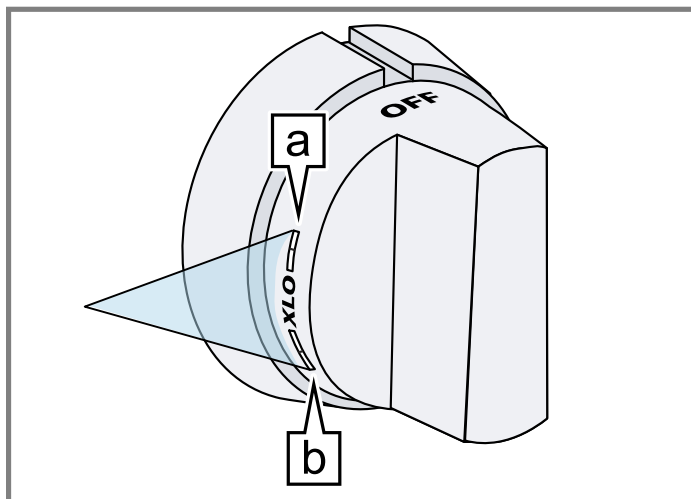
- ▶ Refer to the instructions IN CASE OF AN ELECTRICAL FAILURE listed in the IMPORTANT SAFETY INSTRUCTIONS. → Page 6

8.4 ExtraLow® feature

The **XLO** feature cycles the burner flame on and off in various increments to maintain a very low temperature. The 60-second revolution (as low as 10 seconds on and 50 seconds off) allows you to keep your food warm with less stirring than a conventional burner on a simmer.

To vary the amount of **XLO** heat to suit the food and quantity, you can set the control knob anywhere within the **XLO** range marked on the knob.

When on simmer, the **XLO STAR®** burners will have a slightly higher flame than the simmer on the standard **STAR®** burners. This operation is normal.



Knob position	ExtraLow® level
a	Lowest ExtraLow® setting The flame cycles on for approximately 10 seconds and off for 50 seconds of each minute.
b	Highest ExtraLow® setting The flame cycles on for approximately 50 seconds and off for 10 seconds of each minute.

8.5 PowerBoost® feature

With this feature you can quickly boil water, sear steaks or stir-fry vegetables.

To use PowerBoost® turn the control knob to **XHI**.

To turn off PowerBoost® turn the control knob to a different power level.

8.6 Recommended cooking settings

Food	Start setting	Finish setting standard burner	Finish setting ExtraLow® burner
Melting chocolate	XLO: May be stirred to hasten melting		XLO: Allow 10 - 15 minutes to melt
Simmering tomato sauce	MED HI: Cook meat/ vegetables, follow recipe	LO: To maintain simmer	XLO: Simmer to thicken sauce, uncovered

9 Electric griddle

9.1 Operating the electric griddle

NOTICE:

DO NOT heat cookware on the griddle surface. Take care to avoid scratching or gouging the surface.

- ▶ DO NOT cut food directly on the griddle plate.
- ▶ DO NOT use metal utensils.
- ▶ Use plastic or wood utensils.

1. Press and turn the griddle knob clockwise to the desired temperature.
2. Preheat the griddle.
3. Add butter, margarine, oil or shortening if desired.
4. Clean the grease tray after every use.

9.2 Seasoning the griddle plate

Seasoning is a process by which a layer of animal fat or vegetable oil is applied and baked into the cookware. If the griddle plate seems to lose its non-stick abilities over time, seasoning can help regain the griddle's non-stick properties.

Note: The 24" griddle plate is too wide to fit in the oven cavity. Follow the instructions in this section if your appliance has a 12" griddle plate.

1. The griddle plate must be clean and all residue removed before the griddle plate is seasoned.
 - Before seasoning or re-seasoning your griddle plate, buff off any residue with a mixture of coarse salt and a small amount of white vinegar.
 - Rinse well with clean water.

- Dry the griddle plate thoroughly.
2. Use a paper towel to apply a thin, even coating of lard, shortening, or olive oil to the griddle surface.
 3. Bake the griddle plate in the oven at 350°F (175°C) for 1 hour.
 4. Remove the griddle plate from the oven and allow to cool to room temperature.
 5. Apply another layer, bake and let cool at least 2 more times.

10 Home Connect®

This appliance may be network-capable. Connecting your appliance to a mobile device lets you control its functions via the Home Connect® app, adjust its basic settings and monitor its operating status.

The Home Connect® services are not available in every country. The availability of the Home Connect® function depends on the availability of Home Connect® services in your country. You can find information on this at: www.home-connect.com.

The Home Connect® app guides you through the entire registration process. Follow the instructions in the Home Connect® app to implement the settings.

Tips

- Consult the Home Connect® documents supplied.
- Follow the instructions in the Home Connect® app as well.

Notes

- Also note the safety information in this instruction manual and ensure that it is also observed when operating the appliance using the Home Connect® app.
- Cooktops are not designed to be left unattended. Always monitor the cooking process.

- Operating the appliance on the appliance itself always takes priority. It is not possible to operate the appliance using the Home Connect® app during this time.
- In networked standby mode, the appliance requires a maximum of 2 watts.

10.1 Setting up Home Connect®

Requirements

- The appliance is connected to the power supply and is switched on.
- You have a mobile device with a current version of the iOS or Android operating system, e.g. a smartphone.
- The mobile device and the appliance are within range of your home network's Wi-Fi signal.

1. Download the Home Connect® app.



2. Open the Home Connect® app and scan the following QR code.



3. Follow the instructions in the Home Connect® app.

10.2 Home Connect® settings

Adapt Home Connect® to your needs. You can find the Home Connect® settings in the basic settings for your appliance. Which settings the display shows will depend on whether Home Connect® has been set up and whether the appliance is connected to your home network.

Overview of the oven Home Connect® settings

The following Home Connect® settings are available in the basic settings menu of the oven.

Basic setting	Options	Description and additional information
Wi-Fi	<ul style="list-style-type: none"> ■ On ■ Off 	If (Wi-Fi) is activated, you can use Home Connect®. In networked standby mode, the oven requires a maximum of 2 W.
Network	<ul style="list-style-type: none"> ■ Connect to network ■ Disconnect from network 	If you disconnect the oven from the network, all network information will be deleted. This setting is useful if you have new login details for the router.
Connect to app	-	This setting initiates the connection between the Home Connect® app and the oven.
Remote control	<ul style="list-style-type: none"> ■ On ■ Off 	When this function is deactivated, you can only view the operating status of the oven in the app. When this function is activated, you can remotely start and control the oven.
Oven information	-	The display shows information about the network or the oven.

10.3 Changing the settings via the Home Connect® app

You can use the Home Connect® app to change the appliance settings and send them to the appliance.

Prerequisites for using the Home Connect®:

- The appliance is connected to the home network and to the Home Connect® app.
- In order to set the appliance via the app, Home Connect® must be activated in the basic settings. Activate Home Connect ON in the oven basic settings.

Changing the oven settings

- ▶ Select the setting in the Home Connect® app and send it to the oven. Follow the instructions in the Home Connect® app.

10.4 Remote start

If you want to start an oven operation using your mobile device, you must activate Remote Start.

⚠ WARNING

REMOTE OPERATION This appliance is configurable to allow remote operation at any time.


- ▶ Do not store any flammable materials or temperature sensitive items inside, on top or near surface units of the appliance.

Notes

- For some models a permanent Remote start can be activated via the Home Connect™ app. This function allows a remote start of the available operating modes without automatically deactivating Remote start.
- Remote start can only be activated if the Home Connect™ set-up has been successfully completed.

- Some operating modes can only be started on the oven itself.

Setting remote start

1. Turn the mode selection knob to **REMOTE START**.
Do not turn the temperature selection knob to any setting. Leave it in the **OFF** position.
 - ✓ The display turns to the standby screen.
 - ✓  appears in the display.
2. Continue with the Home Connect® app installed on your mobile device.





10.5 Setting remote control

You can use the Home Connect® app to easily access the functions of your oven.

Notes

- Operating the appliance directly from the oven always has priority. During this time, it is not possible to operate the oven using the Home Connect® app.
- The remote control is already activated when you connect your oven.
- If the remote control has been deactivated, only the oven's operating statuses will be displayed in the Home Connect® app.
- The remote control is automatically activated when remote start is activated.

Requirement: The oven is in standby mode.

1. Press **SETTINGS**.
 2. Press the left  or  to scroll to "Remote control".
 3. Press the right  or  to scroll to "On" or "Off".
 4. Press **ENTER**.
- ✓ The display changes to standby mode.

10.6 Remote diagnostics

The Customer Service can access your appliance via Remote Diagnostics if you ask them to do so, if your appliance is connected to the Home Connect® server and if Remote Diagnostics is available in the country where you are using the appliance.

Tip: Further information and details about the availability of Remote Diagnostics in your country can be found in the Service/Support section of your local website: www.home-connect.com.

10.7 Software update

Your appliance's software can be updated using the software update function, e.g. for the purposes of optimization, troubleshooting or security updates. To do this, you must be a registered Home Connect® user, have installed the app on your mobile device and be connected to the Home Connect® server. As soon as a software update is available, you will be informed via the Home Connect® app and will be able to start the software update via the app. Once the update has been successfully downloaded, you can start installing it via the Home Connect® app if you are in your home network (Wi-Fi). The Home Connect® app informs you once the installation is successful.

Notes

- The software update consists of two steps.
 - The first step is the download.
 - The second step is the installation on your appliance.
- You can continue to use your appliance as normal while updates are downloading. Depending on your personal settings in the app, software updates can also be set to download automatically.
- Installation takes a few minutes. You cannot use your appliance during installation.
- We recommend that you install security updates as soon as possible.

10.8 Data Protection

Please see the information on data protection.

The first time your appliance is registered on a home network connected to the Internet, your appliance will transmit the following types of data to the Home Connect® server (initial registration):

- Unique appliance identification (consisting of appliance codes as well as the MAC address of the installed Wi-Fi communication module).
- Security certificate of the Wi-Fi communication module (to ensure a secure data connection).
- The current software and hardware version of your appliance.
- Status of any previous reset to factory settings.

This initial registration prepares the Home Connect® functions for use and is only required when you want to use the Home Connect® functions for the first time.

Note: Please note that the Home Connect® functions can be utilized only with the Home Connect® app. Information on data protection can be called up in the Home Connect® app.

11 Cleaning and maintenance

To keep your appliance working efficiently for a long time, it is important to clean and maintain it carefully. For more cleaning recommendations and tips to get the most out of your appliance, refer to the website:

- USA: www.thermador.com/us/support/customer-care
- Canada: www.thermador.ca/en/support/customer-care

WARNING

Do not clean the appliance while it is still hot. Some cleaners produce noxious fumes when applied to a hot surface. Wet clothes and sponges can cause burns from steam.

- For customers in the USA:
You can purchase suitable cleaners and a glass scraper for the induction element from Customer Support or in our online shop www.thermador.com/us/accessories.
- For customers in Canada:
Visit this web page to learn how to purchase cleaners for your appliance, www.thermador.ca/en/support/filters-cleaners-accessories.

Tip: Thermador cleaners have been tested and approved for use on Thermador appliances. Other recommended cleaners do not constitute an endorsement of a specific brand.

11.1 General cleaning tips

Only use suitable cleaning agents to avoid damage to the appliance surfaces.

Suitable cleaners

- Use the mildest cleaning procedure that will do the job efficiently and effectively. Some cleaners of the same type are harsher than others. Try on a small inconspicuous area first.
- Always rub metal finishes in the direction of the polish lines for maximum effectiveness and to avoid marring the surface.

11.2 Cleaning recommendations

Clean only those parts of your range that are listed in this cleaning chart.

WARNING

Be sure the entire appliance (including the light bulb) has cooled and grease has solidified before attempting to clean any part of the appliance.
Do not clean the cooktop while it is in operation.

- Use only clean soft cloths, sponges, paper towels, fibrous brushes, plastic, non-metal or steel wool soap pads for cleaning and scouring, as recommended on the chart.
- Most exterior parts of this appliance can be cleaned with hot sudsy water (except the various items specifically identified otherwise). When rinsing is required, rinse thoroughly.
- Always wipe dry immediately to avoid water marks.

Avoid these cleaners

- Do not use commercial oven cleaners such as Easy Off®¹. They may damage the oven finish or parts.
- DO NOT USE CHLORINE BASED CLEANERS.

CAUTION

All igniters spark when any single burner is turned on.

- ▶ Do not touch any of the burners when the cooktop is in use.

WARNING

To avoid risk of electrical shock, DO NOT use a steam cleaner or high pressure cleaners to clean the appliance. Penetrating moisture may cause electrical shock.

Part/Material	Cleaning instructions	Recommendations
Bezels and control knobs / chrome, metal	<ul style="list-style-type: none"> ■ Wipe with hot soapy water. ■ Rinse and dry immediately. 	<p>Recommended cleaners:</p> <ul style="list-style-type: none"> ■ Dish soap and hot water <p>Important notes:</p> <ul style="list-style-type: none"> ■ DO NOT soak knobs. ■ DO NOT force knobs onto wrong valve shaft.
Burner base / brass Burner cap / cast iron	<ul style="list-style-type: none"> ■ Wipe with recommended cleaner. ■ A stiff nylon bristle tooth brush can be used to clean port openings. ■ Rinse and dry immediately. ■ Dry the burners completely. If there are water droplets or damp patches on the rangetop when you start cooking, the enamel may be damaged. ■ Make sure the burner caps are seated correctly on the burner bases after cleaning. 	<p>Recommended cleaners:</p> <ul style="list-style-type: none"> ■ Non-abrasive cleaner: Dish soap and hot water ■ Mild abrasive cleaners: <ul style="list-style-type: none"> – Bon Ami®¹ – Barkeepers Friend®¹ – Wright's® All Purpose Brass Polish¹ <p>Important notes:</p> <ul style="list-style-type: none"> ■ DO NOT scratch or gouge the port openings of the burner cap. ■ Do not clean the burner parts in the dishwasher. They may be damaged.

¹ These marks are registered trademarks of their respective owners. All other trademarks are trademarks of BSH Home Appliances Corporation or its affiliated companies.

¹ These marks are registered trademarks of their respective owners. All other trademarks are trademarks of BSH Home Appliances Corporation or its affiliated companies.

Part/Material	Cleaning instructions	Recommendations
Burner grates / porcelain enamel on cast iron	<ul style="list-style-type: none"> ■ Wait until the appliance has cooled. ■ Carefully lift off the burner grates and place them on a protected surface. ■ Scrub with a non-metallic brush and soapy water. Carefully clean around the rubber feet. If the rubber feet come off, the grates may scratch the rangetop surface. ■ Dry the burners grates completely. If there are water droplets or damp patches on the cooktop when you start cooking, the enamel may be damaged. ■ Place the burner grates in their proper position. 	<p>Recommended cleaners:</p> <ul style="list-style-type: none"> ■ Non-abrasive cleaners: <ul style="list-style-type: none"> – Dish soap and hot water. – Fantastik®¹ ■ Mild abrasive cleaners: <ul style="list-style-type: none"> – Bon Ami®¹ – Soft Scrub®¹ ■ For stubborn stains: <ul style="list-style-type: none"> – Soap-filled steel wool pad. – Other degreaser ■ For metal deposits from aluminum or copper pans: <ul style="list-style-type: none"> – Scotch Brite™¹ – Course steel wool pad <p>Important notes:</p> <ul style="list-style-type: none"> ■ The grates are heavy; use care when you lift them up. ■ Acidic and sugar-laden spills deteriorate the enamel. Remove soil immediately after the appliance has cooled enough to touch. ■ Blisters, crazing or chips are common due to the extreme temperatures on the grate fingers and rapid temperature changes. ■ If you use abrasive cleaners too vigorously or too often they may eventually mar the enamel. ■ DO NOT clean in a self-cleaning oven.
Door gasket	<ul style="list-style-type: none"> ■ None 	<ul style="list-style-type: none"> ■ DO NOT CLEAN THE DOOR GASKET. ■ The door gasket is essential for a good seal. Care should be taken not to rub, damage, or move the gasket.
Doors / glass	<ul style="list-style-type: none"> ■ Wash with soap and water or glass cleaner. ■ Use Fantastik®¹ on a clean sponge or paper towel and wipe clean. 	<p>Recommended cleaners:</p> <ul style="list-style-type: none"> ■ Dish soap and hot water ■ Fantastik®¹ <p>Important notes:</p> <ul style="list-style-type: none"> ■ Keep cleaners and water away from the door vents. If water or cleaners spill into the vents, water may streak the glass inside.
Exterior finish / stainless steel	<ul style="list-style-type: none"> ■ Clean with soapy water and soft cloth, then rinse and dry with a soft cloth. ■ Condition steel with the Thermador Stainless Steel Conditioner (part # 00576697). ■ Remove water spots with a cloth dampened with white vinegar. ■ Remove heat discoloration with Bar Keeper's Friend®¹. 	<p>Recommended cleaners:</p> <ul style="list-style-type: none"> ■ Non-abrasive cleaner: <ul style="list-style-type: none"> – Dish soap and hot water – Fantastik®¹ – Household vinegar for hard water spots ■ Mild abrasive cleaners: <ul style="list-style-type: none"> – Bon Ami®¹ – Barkeepers Friend®¹ – Wright's® All Purpose Brass Polish¹ ■ Stainless steel cleaners: <ul style="list-style-type: none"> – Siege®¹ Stainless Steel and Aluminum Cleaner – Stainless Steel Magic®¹ – Thermador Stainless Steel Conditioner (part # 00576697) <p>Important notes:</p> <ul style="list-style-type: none"> ■ Never allow food stains or salt to remain on stainless steel for any length of time. ■ Always wipe or rub in the direction of the grain. ■ Chlorine or chlorine compounds in some cleansers are corrosive to stainless steel. Check the ingredients on the label of the cleanser.

¹ These marks are registered trademarks of their respective owners. All other trademarks are trademarks of BSH Home Appliances Corporation or its affiliated companies.

Part/Material	Cleaning instructions	Recommendations
Gas rangetop surface / porcelain enamel	<ul style="list-style-type: none"> ■ Wipe with recommended cleaner. ■ Rinse and dry immediately. ■ Make sure the burner caps are seated properly on the burner base after cleaning. 	<p>Recommended cleaners:</p> <ul style="list-style-type: none"> ■ Non-abrasive cleaner: Dish soap and hot water ■ Mild abrasive cleaners: <ul style="list-style-type: none"> – Bon Ami®¹ – Barkeepers Friend®¹ – Soft Scrub®¹ ■ For burned-on food: <ul style="list-style-type: none"> – Soap-filled fiber or steel wool pad <p>Important notes:</p> <ul style="list-style-type: none"> ■ Acidic and sugar-laden spills deteriorate the enamel. Remove soil immediately after the appliance has cooled enough to touch. ■ Do not use wet sponge or towel on hot porcelain. ■ Always apply minimal pressure with abrasive cleaners.
Griddle plate / aluminum with non-stick coating	<ul style="list-style-type: none"> ■ Allow the griddle to cool. ■ Wipe with hot soapy water. ■ Rinse with warm water and dry with a soft cloth. 	<p>Recommended cleaners:</p> <ul style="list-style-type: none"> ■ Non-abrasive cleaners: Dish soap and hot water <p>Important notes:</p> <ul style="list-style-type: none"> ■ NEVER flood a hot griddle plate with cold water. This can damage the griddle plate. ■ DO NOT clean the griddle plate in a self-cleaning oven. ■ The griddle plate is dishwasher safe, however, hand-washing the griddle plate is recommended.
Griddle grease tray	<ul style="list-style-type: none"> ■ Remove the grease tray after the grease has cooled. ■ Discard grease into a grease resistant container for disposal. ■ Rinse and dry immediately. 	<p>Recommended cleaners:</p> <ul style="list-style-type: none"> ■ Non-abrasive cleaners: Dish soap and hot water ■ Mild abrasive cleaners: Soft Scrub®¹ ■ The grease tray is dishwasher-safe. <p>Important notes:</p> <ul style="list-style-type: none"> ■ Clean the grease tray after each use. ■ Do not let the grease tray fill up so far that tipping it spills the grease.
Igniters / ceramic	Clean with a cotton swab dampened with soapy water.	<p>Recommended cleaners:</p> <ul style="list-style-type: none"> ■ Dish soap and hot water ■ Fantastik®¹ <p>Important notes:</p> <ul style="list-style-type: none"> ■ DO NOT use sharp tools to scrape the igniters. The igniters are fragile. If an igniter is damaged, it may not light the burner.
Induction module	Refer to Use and Care Guide of the induction module	
Oven cavity / porcelain on steel	<ul style="list-style-type: none"> ■ When cool, apply recommended cleaning agent to a damp sponge or cloth. ■ Rub lightly, rinse and dry. ■ For stubborn stains, soak the stain with a cloth saturated in a recommended cleaner. Close the door and allow it to soak until the stain can be easily removed with a damp soapy cloth or mild abrasive. ■ If available use the self clean function for stubborn stains. 	<p>Recommended cleaners:</p> <ul style="list-style-type: none"> ■ Non-abrasive cleaner: <ul style="list-style-type: none"> – Dish soap and hot water – Vinegar and water ■ Mild abrasive cleaners: <ul style="list-style-type: none"> – Bon Ami®¹ – Barkeepers Friend®¹ – Soft Scrub®¹ <p>Important notes:</p> <ul style="list-style-type: none"> ■ Acidic and sugar-laden spills deteriorate the enamel. Remove soil immediately after the appliance has cooled enough to touch. ■ Do not use wet sponge or towel on hot porcelain. ■ It is normal for porcelain to show fine lines with age due to exposure to heat and food soil. This is normal and does not affect operation. ■ Always apply minimal pressure with abrasive cleaners.

¹ These marks are registered trademarks of their respective owners. All other trademarks are trademarks of BSH Home Appliances Corporation or its affiliated companies.

Part/Material	Cleaning instructions	Recommendations
Oven racks and rack guides	<ul style="list-style-type: none"> ■ Wash with soapy water. ■ Rinse and dry immediately. 	<p>Recommended cleaners:</p> <ul style="list-style-type: none"> ■ Non-abrasive cleaner: <ul style="list-style-type: none"> – Dish soap and hot water – Vinegar and water ■ Mild abrasive cleaners: <ul style="list-style-type: none"> – Bon Ami®¹ – Barkeepers Friend®¹ – Soft Scrub®¹ – Soap-filled fiber or steel wool pad <p>Important notes:</p> <ul style="list-style-type: none"> ■ DO NOT CLEAN USING THE SELF CLEAN FUNCTION. Flat racks: If the flat racks remain in the oven during the self clean mode, they will lose their shiny finish and may not glide smoothly. If this happens, wipe the rack edges with a small amount of vegetable oil. Then wipe off excess oil. ■ Telescopic racks: Avoid getting cleansing powder in the telescopic slides. Re-lubrication may become necessary. Use only high-temperature food-grade lubricants to re-lubricate the slides.
Probe	<ul style="list-style-type: none"> ■ Wipe with soapy water. 	<ul style="list-style-type: none"> ■ Do not submerge in water. ■ Do not wash in the dishwasher.

¹ These marks are registered trademarks of their respective owners. All other trademarks are trademarks of BSH Home Appliances Corporation or its affiliated companies.

11.3 Self clean function

With pyrolytic self cleaning the oven is heated to a very high temperature. Stubborn soil is burnt off and can be wiped out after self clean is finished. After the completion of a self-clean cycle, the oven will not allow you to start another self-clean cycle for 24 hours. All surface elements are automatically disabled during Self Clean. This is normal. Once the Self Clean cycle is complete and the oven has cooled, the elements become operable once again.

About self clean

- Refer to the oven mode chart to see, if your range features the self clean feature.
→ "Oven heating modes and functions", Page 19
- During self clean, the standard rangetop burners and the electric griddle or induction zone may be used. The ExtraLow® burners cannot be used.
- It is common to see smoke or flames during the self clean cycle, depending on the content and amount of soil remaining in the oven. If a flame persists, turn off the oven and allow it to cool before opening the door to wipe up the excessive food soil.

Preparing self clean

⚠ WARNING

During the self clean cycle, parts of the appliance may become potentially harmful to persons who lack adult knowledge of appliances and adult reactions to potentially harmful conditions.

- ▶ Children should not be left alone or unattended in an area where appliances are in use.
The oven heats up to a very high temperature during self cleaning. Opening the door can result in injury.
- ▶ When self-cleaning, confirm that the door locks and will not open.

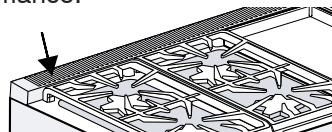
- ▶ If the door does not lock, do not run Self Clean. Contact Customer Service.

⚠ CAUTION

Remove broiler pans, pots, and other utensils and excess spillage before self-cleaning. Do not leave food or cooking utensils, etc., in the oven during the pyrolytic self-cleaning mode of operation.

⚠ WARNING

Do not block or obstruct the flow of air through the ventilation openings. The vent is located at the back of the appliance. The vent needs to be unobstructed and open to provide necessary airflow that is important for proper performance.



- ▶ Do not touch the vent area while the appliance is on and for several minutes after the appliance is off. Some parts of the vent and surrounding areas become hot enough to cause burns. Allow appliance sufficient time to cool before touching or cleaning vent areas.
- ▶ Do not position plastic or other heat-sensitive items on or near the vent. These items could melt or ignite.
- ▶ To provide proper ventilation of the range do not remove range feet.

NOTICE:

Do not clean parts or accessories with the self clean function.

1. Remove all accessories, racks and rack guides from the oven.
2. Wipe out excessive spillage from the oven cavity.

Starting self clean on models without display

Requirements

- All heating modes or timers are canceled.
- You have carried out the steps for preparing the oven for self clean.

→ "Preparing self clean", Page 31

1. Turn the mode selection knob to **SELF CLEAN**.
2. Turn the temperature selection knob to **CLEAN**.
3. Check if the door is locked.

Note: Do not use self clean if the oven door does not lock.

- ✓ Self-clean duration is 2 hours.

Starting self clean on models with display

Requirements

- All heating modes or timers are canceled.
- You have carried out the steps for preparing the oven for self clean.

→ "Preparing self clean", Page 31

1. Turn the mode selection knob to **SELF CLEAN**.
2. Turn the temperature selection knob to **CLEAN**.
3. Press the right < or > to select the clean level.

Soil level	Duration (excluding cool off)
Low	1½ hours
High	3 hours

4. Press **ENTER**.

- ✓ An information text appears.

5. Press **ENTER**.

- ✓ Within 20 seconds the door locks and  appears.

6. Check if the door is locked.

Note: Do not use self clean if the oven door does not lock.

Setting an end timer for self clean

1. Turn the mode selection knob to **SELF CLEAN**.
2. Turn the temperature selection knob to **CLEAN**.
3. Press the right < or > to select the clean level.
4. Press **ENTER**.
5. Press **TIMERS**.
6. Press the left < or > to select "End Time".
7. Press the right < or > to set an end time.
8. Press **ENTER**.
9. After the information text, press **ENTER**.

Completing self clean

When self clean is finished, the oven cools down. The door latch will open automatically when the oven is below 500 °F (260 °C).

CAUTION

To avoid risk of burns, let the oven cool down completely before opening the oven door. The oven cavity is still at baking temperatures when the door latch is released after self clean.

1. Turn the mode selection knob and the temperature selection knob to **OFF**.
2. Wipe the remaining ash from the oven with a moist cloth.

Note: After self clean is complete, the self clean function will be prevented from running again for a period of 24 hours.

11.4 Maintenance

Replacing an oven light bulb

When the oven light fails you can replace the light bulbs.

WARNING

Light socket is live when door is open if main power supply is not turned off.

- ▶ Turn off main power supply at the service panel before changing the light bulbs.

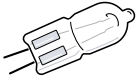
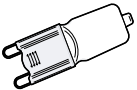
WARNING

Make sure the appliance and lights are cool and power to the appliance has been turned off before replacing the light bulb(s). Failure to do so could result in electrical shock or burns.

- ▶ The lenses must be in place when using the appliance.
- ▶ The lenses serve to protect the light bulb from breaking.
- ▶ The lenses are made of glass. Handle carefully to avoid breaking. Broken glass can cause an injury.

Light bulb specifications

Your range uses a light bulb with one of the following specifications. Check the inside of the light bulb housing to determine the correct light bulb for your range model.

Bulb description	Bulb image
10 Watt, halogen bulb, G4 base, 12 Volts	
25 Watt, halogen bulb, G9 base, 120 Volts	

Replacing an oven light

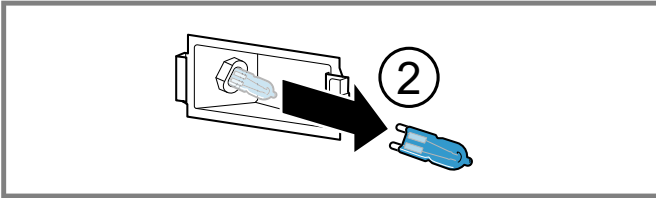
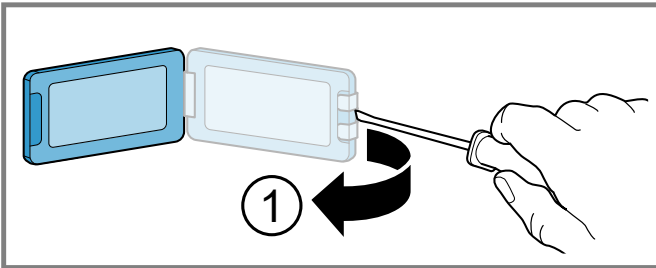
Note: The graphics are representative. Your appliance may have different graphic appearances.

Requirements

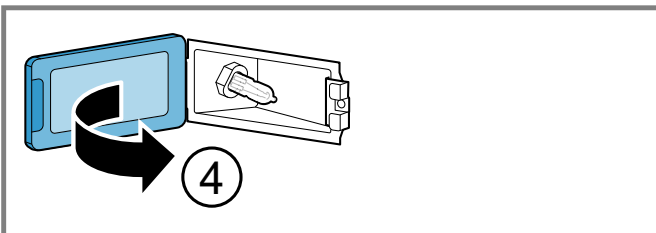
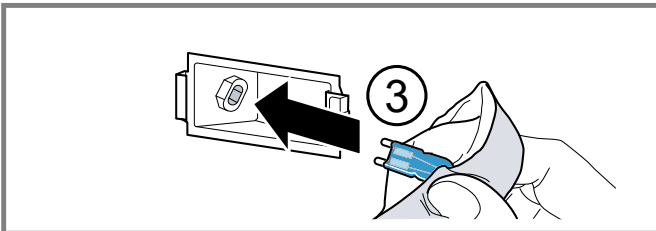
- Refer to the oven light bulb chart for the oven light specification of your oven.
- Follow the safety instructions on replacing a light bulb.
→ Page 32

1. Turn off the power to the oven at the main power supply (fuse or breaker box).
2. Remove the oven racks.

3. Slide the tip of a flat blade screw driver between the holder clip and the lamp housing.



4. Support the glass lens cover with fingers along the bottom edge to prevent the cover from falling to the bottom of the oven. Gently twist the flat blade screw driver to loosen the glass lens cover ①.
5. Remove the glass lens cover.
6. Remove the bulb by grasping and sliding the bulb straight back until the two prongs have cleared the ceramic holder ②.
7. DO NOT touch the glass of the new replacement bulb with your fingers. It may cause the bulb to fail when it first lights. Grasp the replacement bulb with a clean dry cloth. Locate the two prongs in the ceramic holder, gently poking until the two prongs locate in the ceramic socket ③.



8. Press down to seat the bulb.
9. Slide the protective lens into the holder clip and push the other end until the fixing clip snaps back into the housing ④.
10. Turn on the circuit breaker.

12 Troubleshooting

You can eliminate minor issues on your appliance yourself. Please read the information on eliminating issues before contacting Customer Service. This may avoid unnecessary repair visits.

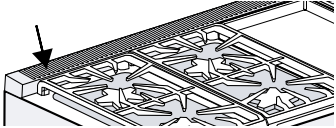
WARNING

Improper repairs are dangerous.

- ▶ Only authorized service providers should repair the appliance.

- ▶ If the power cord of this appliance becomes damaged, it must be replaced by the manufacturer, the manufacturer's Customer Service, or an authorized service provider in order to prevent injury.
- ▶ Only original spare parts may be used to repair the appliance.
- ▶ If the appliance has an issue, call Customer Service.

Issue	Cause and troubleshooting
Oven door is locked and will not open, even after cooling	The door lock is engaged <ol style="list-style-type: none"> 1. Turn the oven off at the circuit breaker and wait five minutes. 2. Turn breaker back on. <ul style="list-style-type: none"> ✓ The oven should reset itself and will be operable.
Oven is not heating	There is no power supply to the appliance <ol style="list-style-type: none"> 1. Check circuit breaker or fuse box to your house. 2. Make sure there is proper electrical power to the oven. There is no cooking temperature set <ul style="list-style-type: none"> ▶ Set a heating mode temperature.
Oven light is not working properly	The oven light bulb is loose or burnt out <ul style="list-style-type: none"> ▶ Replace or reinsert the light bulb. → <i>"Replacing an oven light bulb", Page 32</i> <p>Tip: Touching the bulb with fingers may cause the bulb to burn out.</p>
Oven light does not turn off	The oven door does not close properly <ol style="list-style-type: none"> 1. Check the oven door for obstructions. 2. Check to see if the hinge is bent. The oven light is turned on <ul style="list-style-type: none"> ▶ Press the oven light button to turn the oven light off.
Cannot remove lens cover on light	There is soil build-up around the lens cover <ol style="list-style-type: none"> 1. Let the oven cavity cool off. 2. Wipe the lens cover area with a clean, dry towel, then try to remove the lens cover.
Oven is not self-cleaning properly	The oven is too hot to start self clean <ol style="list-style-type: none"> 1. Allow the oven to cool before running self clean. 2. Always wipe out loose soils or heavy spillovers before running self clean. 3. If the oven is heavily soiled, set the maximum self clean time.
Clock and timer are not working properly	There is no power supply to the appliance <ol style="list-style-type: none"> 1. Check circuit breaker or fuse box to your house. 2. Make sure there is proper electrical power to the oven.
Control does not react when a key is touched	The control is wet or soiled <ul style="list-style-type: none"> ▶ Clean the control panel and wipe it dry. The touch keys are not pressed correctly <ol style="list-style-type: none"> 1. Press the center of the button. 2. Use the flat part of your finger.

Issue	Cause and troubleshooting
Warm air or steam escapes from oven vent	<p>It is normal to see or feel steam or warm air escaping from the oven vent</p> <p>⚠ WARNING Do not block or obstruct the flow of air through the ventilation openings. The vent is located at the back of the appliance. The vent needs to be unobstructed and open to provide necessary airflow that is important for proper performance.</p>  <ul style="list-style-type: none"> ▶ Do not touch the vent area while the appliance is on and for several minutes after the appliance is off. Some parts of the vent and surrounding areas become hot enough to cause burns. Allow appliance sufficient time to cool before touching or cleaning vent areas. ▶ Do not position plastic or other heat-sensitive items on or near the vent. These items could melt or ignite. ▶ To provide proper ventilation of the range do not remove range feet.
Cooling fan runs even when the oven is turned off	<p>The cooling fan will continue to run, even after the oven has been turned off, until the oven has cooled sufficiently</p> <ul style="list-style-type: none"> ▶ This is normal. There is no action required.
The general electrical system of the appliance is not working.	<p>The circuit breaker has tripped.</p> <ol style="list-style-type: none"> 1. Check circuit breaker or fuse box to your house. 2. Make sure there is proper electrical power to the appliance. <hr/> <p>The plug for the power cord is not plugged in.</p> <ul style="list-style-type: none"> ▶ Connect the appliance to the power supply. <hr/> <p>There has been a power failure.</p> <ul style="list-style-type: none"> ▶ Check whether the lighting in your kitchen or other appliances in the room are working.
The automatic ignition is not working.	<p>Food remnants, dirt, or cleaning products are located between the igniters and the burners.</p> <ul style="list-style-type: none"> ▶ Clean the space between the igniter and the burner. <hr/> <p>Burner parts are wet.</p> <ul style="list-style-type: none"> ▶ Carefully dry the burner parts. <hr/> <p>The burner parts are not positioned correctly.</p> <ul style="list-style-type: none"> ▶ Position the burner parts correctly. <hr/> <p>The appliance is not connected properly to the power supply.</p> <ul style="list-style-type: none"> ▶ Contact a qualified electrician.
The burner flame is not uniform.	<p>The burner parts are not positioned correctly.</p> <ul style="list-style-type: none"> ▶ Position the burner parts correctly. <hr/> <p>The grooves on the burner are dirty.</p> <ul style="list-style-type: none"> ▶ Clean the grooves on the burner.
The gas flow is not normal or there is no gas.	<p>The gas supply is blocked by intermediate gas valves.</p> <ul style="list-style-type: none"> ▶ Open the gas valves. <hr/> <p>The gas cylinder is empty.</p> <ul style="list-style-type: none"> ▶ Replace the gas cylinder.
There is a smell of gas in the kitchen.	<p>A gas valve has been left on.</p> <ul style="list-style-type: none"> ▶ Turn off the gas taps. <hr/> <p>Incorrect coupling of gas cylinder.</p> <ul style="list-style-type: none"> ▶ Check the proper connection to the gas cylinder. <hr/> <p>The gas pipe to the appliance is leaking.</p> <ol style="list-style-type: none"> 1. Shut off the gas supply at the main gas valve. 2. Ventilate the premises. 3. Immediately notify an authorised installation technician to check and certify the installation.

Issue	Cause and troubleshooting
There is a smell of gas in the kitchen.	4. Do not use the appliance until you can be sure there are no gas leaks in the gas supply line or the appliance.
The burner switches off immediately after releasing the control knob.	The control knob has not been pressed down long enough. 1. Keep the control knob pressed in for a few seconds after ignition. 2. Push the control knob in firmly.
	The grooves on the burner are dirty. ▶ Clean the grooves on the burner.
With a new oven there is a strong odor when oven is turned on	This is normal with a new oven and will disappear after a few uses ▶ Operate the self clean mode to burn-off the smell more quickly.
Baking results are not as expected	The rack position is not ideal 1. Refer to the cooking charts for the recommended rack position. 2. Check "Getting the most out of your appliance" for tips and suggestions.
Food takes longer to cook than expected	The oven temperature needs to be recalibrated Note: The oven is carefully calibrated to provide accurate results. ▶ If food is consistently too brown or too light the temperature can be offset. → "Oven temperature offset", Page 22
Food is overcooked	The oven temperature needs to be recalibrated Note: The oven is carefully calibrated to provide accurate results. ▶ If food is consistently too brown or too light the temperature can be offset. → "Oven temperature offset", Page 22
"E" and a number appears in display and control beeps	An electronics fault has occurred 1. Press TIMERS to stop the beeping. 2. Reset the oven if necessary. 3. Call an authorized service provider.

13 Disposal

13.1 Disposal of your old appliance

Environmentally compatible disposal allows valuable raw materials to be recycled.

1. Unplug the appliance from the power supply.
2. Cut through the power cord.
3. Dispose of the appliance in an environmentally responsible manner.

Information about current disposal methods can be obtained from your specialist dealer or local authority.

14 Customer Service

With any warranty repair, we will make sure your appliance is repaired by an authorized service provider using genuine replacement parts. We use only genuine replacement parts for all repairs.

Detailed information on the warranty period and terms of warranty can be found in the Statement of Limited Product Warranty, from your retailer, or on our website.

If you contact the Customer Service, you will need the model number (E-Nr.) and the production number (FD) of your appliance.

USA:

1-800-735-4328

www.thermador.com/support

www.thermador.com/us/accessories

CA:

1-800-735-4328

www.thermador.ca

www.thermador.ca/en/support/filters-cleaners-accessories

For assistance with connecting to Home Connect®, you can also view instructions here:

www.home-connect.com/us/en/help-support/set-up

14.1 Remote Customer Service connection

It is possible for Customer Service to access the appliance via the Home Connect® connection in the event of an error.

Granting Customer Service access to the appliance

1. Contact Customer Service. Follow the instructions given to you by the representative.
2. Press **ENTER** to allow Customer Service access.

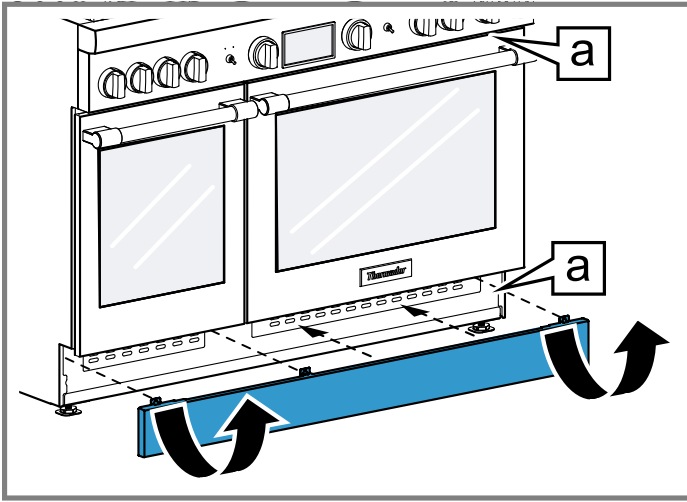
14.2 Model number (E-Nr.) and production number (FD)

You can find the model number (E-Nr.) and the production number (FD) on the appliance's rating plate.

Making a note of your appliance's details and the Customer Service telephone number will enable you to find them again quickly.

14.3 Rating plate location

Depending on your model, the rating plates are located above the main oven or behind the kick plate.



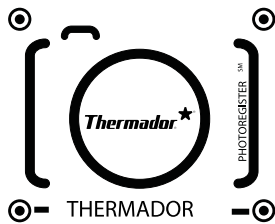
a Rating plate

14.4 Product registration

Register your Thermador product to access to your product related information.

You may register your product through one of the following ways:

- Register with your phone (USA only):



- Take a photo of the camera icon on the registration card, including the points (⊙).
- Text the photo to 21432.
(USA only, text and data rates may apply.)
- Mail in the completed product registration card to the address printed on the card.
- Register your product online at
 - US: www.thermador.com
 - Canada: www.thermador.ca
- Call Thermador Customer Service at 1-800-735-4328.

15 STATEMENT OF LIMITED PRODUCT WARRANTY

15.1 What this warranty covers & Who it applies to

The limited warranty provided by BSH Home Appliances (“Thermador”) in this Statement of Limited Product Warranty applies only to the Thermador appliance sold to you (“Product”), provided that the Product was purchased:

- For your normal, household (non-commercial) use, and has in fact at all times only been used for normal household purposes.
- New at retail from a BSH authorized dealer or directly from BSH (not a display, “as is”, or previously returned model), and not for resale, or commercial use.
- Within the United States or Canada, and has at all times remained within the country of original purchase.

The warranties stated herein apply to the original purchaser of the product warranted herein and to each succeeding owner of the product purchased for ordinary home use during the term of the warranty.

Please make sure to register your Product; while not necessary to effectuate warranty coverage, it is the best way for Thermador to notify you in the unlikely event of a safety notice or product recall.

15.2 How long the warranty lasts

Thermador warrants that the Product is free from defects in materials and workmanship for a period of seven hundred and thirty (730) days from the date of the original delivery. The foregoing timeline begins to run upon the date of original delivery, and shall not be stalled, tolled, extended, or suspended, for any reason whatsoever. This Product is also warranted to be free from **cosmetic** defects in material and workmanship (such as scratches of stainless steel, paint/porcelain blemishes, chips, dents, or other damage to the finish) of the Product, for a period of sixty (60) days from the date of delivery or closing date for new construction. This **cosmetic** warranty excludes slight color variations due to inherent differences in painted and porcelain parts, as well as differences caused by kitchen lighting, product location, or other similar factors. This **cosmetic** warranty specifically excludes any display, floor, “As Is”, or “B” stock appliances.

15.3 Repair/replace as your exclusive remedy

During this warranty period, Thermador or one of its authorized service providers will repair your Product without charge to you (subject to certain limitations stated herein) if your Product proves to have been manufactured with a defect in materials or workmanship. If reasonable attempts to repair the Product have been made without success, then Thermador will replace your Product (upgraded models may be available to you, in Thermador’s sole discretion, for an additional charge). Nothing in this warranty requires damaged or defective parts to be replaced with parts of a different type or design than the original part. All removed parts and components shall become the property of Thermador at its sole option. All replaced and/or repaired parts shall assume the identity of the original part for purposes of this warranty and this warranty shall not be

extended with respect to such parts. Thermador's sole liability and responsibility hereunder is to repair manufacturer-defective Product only, using a Thermador authorized service provider during normal business hours. For safety and property damage concerns, Thermador highly recommends that you do not attempt to repair the Product yourself, or use a non-authorized service provider; Thermador will have no responsibility or liability for damage resulting from repairs or work performed by a non-authorized service provider. Authorized service providers are those persons or companies that have been specially trained on Thermador products, and who possess, in Thermador's opinion, a superior reputation for customer service and technical ability (note that they are independent entities and are not agents, partners, affiliates or representatives of Thermador). Nevertheless, taking your product to be serviced by a repair shop that is not affiliated with or an authorized dealer of Thermador will not void this warranty. Also, using third-party parts will not void this warranty. Notwithstanding the foregoing, Thermador will not incur any liability, or have responsibility, for the Product if it is located in a remote area (more than 100 miles from an authorized service provider) or is reasonably inaccessible, hazardous, threatening, or treacherous locale, surroundings, or environment; in any such event, if you request, Thermador would still pay for labor and parts and ship the parts to the nearest authorized service provider, but you would still be fully liable and responsible for any travel time or other special charges by the service company, assuming they agree to make the service call. Further, to the extent you have installed the Product in a difficult-to-access location or have otherwise installed temporary or permanent fixtures that create barriers to accessing or removing the Product, Thermador will not incur any liability for, or have responsibility, for work or costs associated with moving the Product or otherwise creating access to the Product in order to repair or replace it. All such costs shall be your sole responsibility.

15.4 Out of warranty product

Thermador is under no obligation, at law or otherwise, to provide you with any concessions, including repairs, pro-rates, or Product replacement, once this warranty has expired.

15.5 Warranty exclusions

The warranty coverage described herein excludes all defects or damage that are not the direct fault of Thermador, including without limitation, one or more of the following:

- Use of the Product in anything other than its normal, customary and intended manner (including without limitation, any form of commercial use, use or storage of an indoor product outdoors, use of the Product in conjunction with air or water-going vessels).
- Any party's willful misconduct, negligence, misuse, abuse, accidents, neglect, improper operation, failure to maintain, improper or negligent installation, tampering, failure to follow operating instructions, mishandling, unauthorized service (including selfperformed "fixing" or exploration of the appliance's internal workings).
- Adjustment, alteration or modification of any kind.
- A failure to comply with any applicable state, local, city, or county electrical, plumbing and/or building codes, regulations, or laws, including failure to install the product in strict conformity with local fire and building codes and regulations.

- Ordinary wear and tear, spills of food, liquid, grease accumulations, or other substances that accumulate on, in, or around the Product.
- Any external, elemental and/or environmental forces and factors, including without limitation, rain, wind, sand, floods, fires, mud slides, freezing temperatures, excessive moisture or extended exposure to humidity, lightning, power surges, structural failures surrounding the appliance, and acts of God.
- Service calls to correct the installation of your Product, to instruct you how to use your Product, to replace house fuses or correct house wiring or plumbing.
- Removal and replacement of trim or decorative panels that interfere with servicing the Product.
- Damage or defects caused by labor or parts installed by any non-authorized service provider, unless approved by Thermador before service is performed.

In no event shall Thermador have any liability or responsibility whatsoever for damage to surrounding property, including cabinetry, floors, ceilings, and other structures or objects around the Product. Also excluded from this warranty are Products, on which the serial numbers have been altered, defaced, or removed; service visits to teach you how to use the Product, or visits where there is nothing wrong with the Product; correction of installation problems (you are solely responsible for any structure and setting for the Product, including all electrical, plumbing or other connecting facilities, for proper foundation/flooring, and for any alterations including without limitation cabinetry, walls, floors, shelving, etc.); and resetting of breakers or fuses

TO THE EXTENT ALLOWED BY LAW, THIS WARRANTY SETS OUT YOUR EXCLUSIVE REMEDIES WITH RESPECT TO PRODUCT, WHETHER THE CLAIM ARISES IN CONTRACT OR TORT (INCLUDING STRICT LIABILITY, OR NEGLIGENCE) OR OTHERWISE. THIS WARRANTY IS IN LIEU OF ALL OTHER WARRANTIES, WHETHER EXPRESS OR IMPLIED. ANY WARRANTY IMPLIED BY LAW, WHETHER FOR MERCHANTABILITY OR FITNESS FOR A PARTICULAR PURPOSE, OR OTHERWISE, SHALL BE EFFECTIVE ONLY FOR THE PERIOD THAT THIS EXPRESS LIMITED WARRANTY IS EFFECTIVE. IN NO EVENT WILL THE MANUFACTURER BE LIABLE FOR CONSEQUENTIAL, SPECIAL, INCIDENTAL, INDIRECT, "BUSINESS LOSS", AND/OR PUNITIVE DAMAGES, LOSSES, OR EXPENSES, INCLUDING WITHOUT LIMITATION TIME AWAY FROM WORK, HOTELS AND/OR RESTAURANT MEALS, REMODELLING EXPENSES IN EXCESS OF DIRECT DAMAGES WHICH ARE DEFINITELY CAUSED EXCLUSIVELY BY THERMADOR, OR OTHERWISE. SOME STATES DO NOT ALLOW THE EXCLUSION OR LIMITATION OF INCIDENTAL OR CONSEQUENTIAL DAMAGES, AND SOME STATES DO NOT ALLOW LIMITATIONS ON HOW LONG AN IMPLIED WARRANTY LASTS, SO THE ABOVE EXCLUSIONS OR LIMITATIONS MAY NOT APPLY TO YOU. THIS WARRANTY GIVES YOU SPECIFIC LEGAL RIGHTS, AND YOU MAY ALSO HAVE OTHER RIGHTS WHICH VARY FROM STATE TO STATE.

No attempt to alter, modify or amend this warranty shall be effective unless authorized in writing by an officer of BSH.

15.6 Obtaining warranty service

To obtain warranty service for your product, you should contact Thermador Customer Support at 1-800-735-4328 to schedule a repair.

15.7 Product information

For handy reference, copy the information below from the rating plate. Keep your invoice and/or delivery documents for warranty validation.

Model number (E-Nr.)
Production number (FD)
Date of delivery

Table des matières

1 IMPORTANTES CONSIGNES DE SÉCURITÉ	41	8.4 Fonctionnalité ExtraLow®.....	64
1.1 Définitions des termes de sécurité	42	8.5 Fonctionnalité PowerBoost®	65
1.2 Informations générales.....	42	8.6 Paramètres de cuisson recommandés	65
1.3 Utilisation sécuritaire	42	9 Plaque électrique	65
1.4 Module d'induction	45	9.1 Fonctionnement de la plaque électrique	65
1.5 Fonctionnement à distance	46	9.2 Assaisonner la plaque de cuisson	65
1.6 Exigences et normes.....	46	10 Home Connect®	66
1.7 Exigences en matière de gaz	47	10.1 Configurer Home Connect®	66
1.8 Mises en garde conformément à la proposition 65 de l'État de Californie	47	10.2 Home Connect® Réglages.....	66
2 Prévenir les bris matériels	48	10.3 Modification des paramètres via l'application Home Connect®.....	67
2.1 Prévenir les dommages à la cavité du four.....	48	10.4 Démarrage à distance	67
2.2 Éviter d'endommager la table de cuisson.....	48	10.5 Réglage du contrôle à distance	67
3 Protection de l'environnement et économies	48	10.6 Diagnostic à distance	67
3.1 Mise au rebut de l'emballage	48	10.7 Mise à jour logicielle	67
3.2 Économie d'énergie lors de l'utilisation du four.....	48	10.8 Protection des données.....	68
3.3 Économie d'énergie lors de l'utilisation de la table de cuisson.....	49	11 Nettoyage et entretien	68
4 Description de l'appareil	50	11.1 Conseils généraux de nettoyage	68
4.1 Électroménager.....	50	11.2 Recommandations en matière de nettoyage	69
4.2 Cavité du four.....	51	11.3 Fonction autonettoyante	73
4.3 Commandes du four.....	53	11.4 Entretien.....	74
4.4 Boutons de commande de la cuisinière.....	53	12 Dépannage	76
5 Accessoires	53	13 Élimination	78
5.1 Accessoires de four.....	54	13.1 Éliminer un appareil usagé	78
5.2 Autres accessoires.....	54	14 Service à la clientèle	78
5.3 Installation des guides de grille	54	14.1 Connexion au service à la clientèle à distance	79
5.4 Positions des grilles	54	14.2 Numéro de modèle (E-Nr.) et numéro de fabrication (FD)	79
5.5 Utilisation sûre des grilles de four.....	55	14.3 Emplacement de la plaque signalétique	79
5.6 Insertion de la grille métallique.....	55	14.4 Enregistrement de produit	79
5.7 Installation des grilles FullAccess®	55	15 ÉNONCÉ DE LA GARANTIE LIMITÉE DU PRODUIT	79
6 Avant d'utiliser pour la première fois	56	15.1 Couverture de la garantie limitée.....	79
6.1 Paramètres de démarrage	56	15.2 Durée de la garantie.....	79
6.2 Nettoyage de l'appareil avant sa première utilisation.....	56	15.3 Réparation ou remplacement : votre recours exclusif	80
6.3 Placement du chapeau du brûleur.....	57	15.4 Produit hors garantie	80
6.4 Placer les grilles de brûleur	57	15.5 Exclusions de garantie	80
6.5 Enregistrer votre appareil.....	57	15.6 Obtention du service de garantie.....	81
7 Fonctionnement du four	58	15.7 Information sur le produit.....	81
7.1 Modes et fonctions de chauffage du four.....	58		
7.2 Réglage du mode de chauffage et de la température	59		
7.3 Limitation du temps de chauffage.....	59		
7.4 Préchauffage rapide.....	60		
7.5 Sonde à viande	60		
7.6 Activer ou désactiver le verrouillage du panneau	60		
7.7 Minuterie de cuisine	60		
7.8 Minuterie du four	61		
7.9 Mode Sabbat.....	61		
7.10 Paramètres de base - Four	62		
7.11 Tirer le meilleur parti de l'électroménager	63		
8 Fonctionnement de la table de cuisson	64		
8.1 Allumer un brûleur.....	64		
8.2 Rallumage automatique	64		
8.3 En cas de panne de courant	64		



IMPORTANTES CONSIGNES DE SÉCURITÉ

LIRE ET CONSERVER CES INSTRUCTIONS

Lisez toutes les instructions attentivement avant l'utilisation. Ces précautions réduiront le risque d'électrocution, d'incendie et de blessure pour les personnes utilisant l'appareil. Lorsque vous utilisez des appareils électroménagers, il importe de suivre les précautions de sécurité de base, y compris celles indiquées dans les pages suivantes.

⚠ AVERTISSEMENT : Si les directives ne sont pas suivies à la lettre, il y a un risque d'incendie ou d'explosion pouvant entraîner des dommages matériels, des blessures ou un décès.

- Ne pas conserver ou utiliser de l'essence ou d'autres liquides ou vapeurs inflammables à proximité de cet appareil ou de tout autre appareil.
- **QUE FAIRE SI VOUS PERCEVEZ UNE ODEUR DE GAZ**
 - Ne pas essayer de mettre un appareil sous tension.
 - Ne pas toucher d'interrupteur de courant électrique.
 - Ne pas utiliser de téléphones dans l'édifice.
 - Communiquer immédiatement avec le fournisseur de gaz depuis l'appareil téléphonique d'un voisin. Respecter les directives du fournisseur de gaz.
 - S'il s'avère impossible de joindre le fournisseur de gaz, communiquer avec les pompiers.
- Utiliser les services d'un installateur ou d'une agence de services qualifiés ou le fournisseur de gaz pour procéder à l'installation et aux réparations.

⚠ AVERTISSEMENT :

Ne jamais faire fonctionner la surface de la table de cuisson de cet appareil sans surveillance.

- Le non-respect de cet avertissement pourrait entraîner un risque d'incendie, d'explosion ou de brûlure qui pourrait provoquer des dommages matériels, des blessures ou un décès.
- En cas d'incendie, se tenir à l'écart de l'appareil et appeler immédiatement les pompiers.

NE PAS ESSAYER D'ÉTEINDRE UN INCENDIE DE GRAISSE OU D'HUILE AVEC DE L'EAU.



IMPORTANTES CONSIGNES DE SÉCURITÉ

LIRE ET CONSERVER CES INSTRUCTIONS

1.1 Définitions des termes de sécurité

Vous trouverez ici des explications sur les mots de signalisation de sécurité utilisés dans ce manuel.

AVERTISSEMENT

Signale un risque de mort ou de blessure grave si l'avertissement n'est pas respecté.

MISE EN GARDE

Signale un risque de blessures mineures ou modérées si l'avertissement n'est pas respecté.

AVIS :

Ceci indique que la non-conformité à cet avis de sécurité peut entraîner des dégâts matériels ou endommager l'appareil.

Remarque : Ceci vous signale des informations et/ou indications importantes.

1.2 Informations générales

Ce manuel explique les principes de base du fonctionnement de votre appareil et les mesures de sécurité à suivre. Pour des informations d'installation complètes et sûres, reportez-vous aux instructions d'installation fournies avec l'appareil.

AVERTISSEMENT

Veuillez consulter le manuel pour l'élément d'induction pour d'autres informations de sécurité importantes spécifiques.

Tous les manuels des produits peuvent être téléchargés en ligne à l'adresse www.thermador.ca/fr/soutien/manuels-du-propietaire.

INSTALLATEUR : Prière de laisser ces instructions d'installation avec cet appareil à l'intention du propriétaire.

PROPRIÉTAIRE : Prière de conserver ces instructions pour référence ultérieure. Lisez toutes les consignes de sécurité avant d'utiliser l'appareil. Demandez à l'installateur de vous montrer où se trouvent le disjoncteur électrique et le robinet d'arrêt de l'alimentation en gaz afin que vous sachiez comment et où couper le gaz et l'électricité de l'appareil.

1.3 Utilisation sécuritaire

AVERTISSEMENT

TOUS LES APPAREILS

- ▶ **Bonne installation** - Assurez-vous que l'appareil électroménager est correctement installé et mis à la terre par un technicien qualifié.
- ▶ N'utilisez jamais votre appareil pour réchauffer ou chauffer la pièce.
- ▶ **Ne laissez pas les enfants seuls** - Les enfants ne doivent pas être laissés seuls ou sans surveillance dans la zone où un appareil est utilisé. Les enfants ne doivent jamais s'asseoir ou rester debout sur une partie quelconque de l'appareil.
- ▶ **Portez des vêtements appropriés** - Des vêtements lâches ne doivent jamais être portés lorsqu'on utilise l'appareil.
- ▶ **Entretien par l'utilisateur** - Ne réparez ni ne remplacez aucune pièce de l'appareil à moins que ce ne soit spécifiquement recommandé dans ce manuel. Tous les autres services doivent être référés à un fournisseur de services agréé.
- ▶ **Stockage dans ou sur l'appareil** - Les matériaux inflammables ne doivent pas être stockés dans ou à proximité de l'appareil. Pour éliminer les risques de brûlures ou d'incendie causés par l'atteinte des unités de surface chauffées, le stockage en armoire situé au-dessus des unités de surface doit être évité.
- ▶ **N'utilisez pas d'eau sur les feux de graisse** - Éteignez le feu ou les flammes ou utilisez un extincteur à poudre ou à mousse.
- ▶ **Utiliser seulement des maniques sèches** - Des maniques mouillées ou humides sur des surfaces chaudes peuvent entraîner en brûlures de vapeur. Ne laissez pas la manique toucher les éléments chauffants chauds. N'utilisez pas de serviette ou autre chiffon volumineux.

AVERTISSEMENT

UNITÉS DE SURFACE DE CUISSON

- ▶ **Utilisez une casserole de taille appropriée** - Cet appareil peut être équipé de brûleurs de surface de différentes tailles. Sélectionnez des ustensiles dont le fond est plat et suffisamment grand pour couvrir le brûleur de surface. L'emploi d'un plat de cuisson trop petit expose une partie du brûleur au contact direct et peut ainsi provoquer l'inflammation des vêtements. Une



IMPORTANTES CONSIGNES DE SÉCURITÉ

LIRE ET CONSERVER CES INSTRUCTIONS

bonne relation entre l'ustensile et le brûleur améliorera également l'efficacité.

La taille de la flamme ne doit pas dépasser le bord de l'ustensile de cuisson. Cette instruction est basée sur des considérations de sécurité.

- ▶ **Ne laissez jamais les brûleurs de surface sans surveillance à des réglages de chaleur élevés** - Le débordement provoque de la fumée et des débordements graisseux qui peuvent s'enflammer.
- ▶ **Le cas échéant, assurez-vous que les plateaux d'égouttage sont en place** - L'absence de ces plateaux pendant la cuisson peut endommager le câblage ou les composants situés en dessous.
- ▶ **Revêtements protecteurs** - N'utilisez pas de papier d'aluminium pour recouvrir les fonds du four. Une mauvaise installation de ces revêtements peut entraîner un risque de choc électrique ou d'incendie.
- ▶ **Ustensiles de cuisson vitrés** - Seuls certains types de verre, verre/céramique, de céramique, de faïence ou d'autres ustensiles vitrés conviennent à la cuisinière sans se casser en raison du changement soudain de température.
- ▶ **Les poignées d'ustensiles doivent être tournées vers l'intérieur et ne pas s'étendre sur les éléments de surface adjacents** - Pour réduire le risque de brûlures, d'inflammation de matériaux inflammables et de déversement dû à un contact involontaire avec l'ustensile, la poignée d'un ustensile doit être positionnée de manière à être tournée vers l'intérieur, et ne s'étend pas sur les unités de surface adjacentes.
- ▶ **Nettoyez la table de cuisson avec précaution** - Si une éponge ou un chiffon humide est utilisé pour essuyer les éclaboussures sur une zone de cuisson chaude, veillez à éviter les brûlures de vapeur. Certains nettoyeurs dégagent des fumées nocives lorsqu'ils sont appliqués sur une surface chaude.
- ▶ **Ne pas tremper les éléments chauffants amovibles** - Les éléments chauffants ne doivent jamais être immergés dans l'eau.

AVERTISSEMENT

FRITEUSES

- ▶ Soyez extrêmement prudent lors du déplacement d'une bouilloire à graisse ou de l'élimination de la graisse chaude.

AVERTISSEMENT

FOURS

- ▶ **Soyez prudent lors de l'ouverture de la porte** - Laissez l'air chaud ou la vapeur s'échapper avant de retirer ou remplacer les aliments.
- ▶ **Ne pas chauffer des récipients alimentaires non ouverts** - L'accumulation de pression peut faire éclater le récipient et provoquer des blessures.
- ▶ **Gardez les conduits de ventilation du four dégagés.**
- ▶ **Placement des grilles du four** - Placez toujours les grilles du four dans l'emplacement pendant que le four est froid. Si la grille doit être déplacée pendant que le four est chaud, ne laissez pas la manique en contact avec l'élément chauffant dans le four.

AVERTISSEMENT

FOURS AUTO-NETTOYANTS

- ▶ **Ne nettoyez pas le joint de la porte** - le joint de porte est essentiel pour une bonne étanchéité. Veillez à ne pas frotter, endommager ou déplacer le joint.
- ▶ N'utilisez pas de revêtement protecteur pour recouvrir le four et n'utilisez pas de nettoyant pour four du commerce à moins d'être certifié pour une utilisation dans un four auto-nettoyant.
- ▶ Ne nettoyer que les parties indiquées dans le manuel.
- ▶ Ne laissez pas de nourriture ou d'ustensiles de cuisine, etc., dans le four pendant le mode de fonctionnement autonettoyant pyrolytique.
- ▶ Veuillez noter que certains animaux domestiques ou humains peuvent être sensibles aux odeurs créées pendant le processus d'auto-nettoyage, qu'il s'agisse de résidus de fabrication brûlés ou d'aliments. Il est recommandé que les personnes potentiellement affectées soient retirées de la cuisine pendant le processus d'auto-nettoyage.

AVERTISSEMENT

NE PAS TOUCHER LES UNITÉS DE SURFACE OU LES ZONES À PROXIMITÉ DES UNITÉS. Les éléments de surface peuvent être chauds, même s'ils sont froids. Les zones à proximité des éléments peuvent devenir suffisamment chaudes pour causer des brûlures.

- ▶ Pendant et après l'utilisation, ne touchez pas et ne laissez pas les vêtements, les maniques ou autres matériaux inflammables entrer en contact avec les unités de surface ou les zones proches des unités



IMPORTANTES CONSIGNES DE SÉCURITÉ

LIRE ET CONSERVER CES INSTRUCTIONS

avant d'avoir suffisamment de temps pour refroidir.

Parmi ces zones se trouvent la table de cuisson et les zones faisant face à la table de cuisson.

NE PAS TOUCHER LES ÉLÉMENTS CHAUFFANTS OU LES SURFACES INTÉRIEURES DU FOUR - Les éléments chauffants peuvent être chauds même s'ils sont de couleur sombre. Les parois intérieures d'un four peuvent devenir suffisamment chaudes pour provoquer des brûlures.

- ▶ Pendant et après l'utilisation, ne touchez pas et ne laissez pas les vêtements, les maniques ou autres matériaux inflammables entrer en contact avec les éléments chauffants ou les surfaces intérieures du four avant d'avoir suffisamment de temps pour refroidir. Les autres surfaces de l'appareil peuvent devenir suffisamment chaudes pour provoquer des brûlures. Parmi ces surfaces se trouvent les ouvertures de ventilation du four, les surfaces proches de ces ouvertures et les portes du four.

AVERTISSEMENT

HOTTES DE VENTILATION

- ▶ Nettoyez fréquemment les hottes de ventilation - La graisse ne devrait pas s'accumuler sur le ventilateur ou le filtre.
- ▶ Cet appareil ne doit pas être installé avec un système de ventilation qui dirige l'air vers le bas en direction de l'appareil. Ce type de système de ventilation peut causer des problèmes d'allumage et de combustion avec l'appareil, entraînant des blessures corporelles, des dommages matériels ou un fonctionnement involontaire. Les systèmes de ventilation qui dirigent l'air vers le haut ne présentent aucune restriction. Un rideau d'air ou une hotte au-dessus la cuisinière,, dont le débit d'air est orienté vers le bas en direction de la cuisinière, ne peut pas être utilisé avec une cuisinière au gaz à moins que la hotte et la cuisinière ne soient conçues et testées en conformité à la norme ANSI Z21.1 • CSA 1.1, Cuisinières à gaz domestiques, et classées par un laboratoire d'essai indépendant pour une utilisation conjuguée.
- ▶ Lorsque vous flambez des aliments sous la hotte, allumez le ventilateur.

AVERTISSEMENT

NE couvrez JAMAIS les fentes, les orifices ou les canaux de la sole du four, ni ne couvrez toute une grille avec une matière comme du papier d'aluminium.

- ▶ Une telle couverture bloque le débit d'air dans le four et pourrait entraîner une intoxication par monoxyde de carbone.
- ▶ Utiliser une feuille de papier aluminium pourrait également emprisonner la chaleur, entraînant un risque d'incendie.

AVERTISSEMENT

EN CAS DE PANNE ÉLECTRIQUE

- ▶ Si un bouton de commande de gaz est sur ON (EN MARCHE) et qu'il n'y a pas d'alimentation électrique pour faire fonctionner les allumeurs électroniques sur les brûleurs, éteignez le bouton de commande de gaz et attendez 5 minutes que le gaz se dissipe avant d'allumer le brûleur manuellement.
- ▶ Pour allumer les brûleurs manuellement, tenez soigneusement une allumette allumée contre les orifices des brûleurs et tournez le bouton de contrôle du gaz sur **HI**. Lors d'une panne de courant, vous pouvez utiliser les brûleurs standard, mais chacun doit être allumé avec une allumette.
- ▶ N'essayez pas d'allumer un brûleur **XLO®** manuellement. Ces brûleurs sont équipés de la fonction ExtraLow® et ne peuvent pas être allumés manuellement.

MISE EN GARDE

Ne stockez pas les articles qui intéressent les enfants dans des armoires au-dessus d'une cuisinière ou sur le panneau arrière d'une cuisinière. Les enfants grim pant sur la cuisinière pour atteindre des objets pourraient être gravement blessés.

AVERTISSEMENT

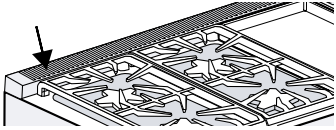
Ne bloquez pas ou n'obstruez pas la circulation de l'air à travers les ouvertures de ventilation. L'événement est situé à l'arrière de l'appareil. L'événement doit être dégagé et ouvert



IMPORTANTES CONSIGNES DE SÉCURITÉ

LIRE ET CONSERVER CES INSTRUCTIONS

pour fournir le flux d'air nécessaire qui est important pour une performance adéquate.



- ▶ Ne touchez pas la zone de ventilation lorsque l'appareil est en marche et pendant plusieurs minutes après que l'appareil est éteint. Certaines parties de l'évent et les zones environnantes deviennent suffisamment chaudes pour provoquer des brûlures. Laissez à l'appareil le temps de refroidir avant de toucher ou de nettoyer les zones de ventilation.
- ▶ Ne placez pas de plastique ou d'autres objets sensibles à la chaleur sur ou à proximité de l'évent. Ces articles pourraient fondre ou s'enflammer.
- ▶ Pour assurer une ventilation adéquate de la cuisinière, ne retirez pas les pieds de la cuisinière.

AVERTISSEMENT

Ne laissez pas les sondes à viande ou autres ustensiles entrer en contact avec les éléments chauffants.

AVERTISSEMENT

N'utilisez pas l'accessoire de plaque de gril pour cuire des viandes trop grasses ou des produits favorisant les poussées.

AVERTISSEMENT

Lors de la cuisson d'aliments gras ou huileux sur les brûleurs ou la plaque chauffante, les brûleurs à gaz adjacents peuvent enflammer les vapeurs en suspension dans l'air. Soyez prudent pour éviter les brûlures.

AVERTISSEMENT

N'entreposez pas et n'utilisez pas des produits chimiques corrosifs, des vapeurs, des matériaux inflammables ou des produits non alimentaires près ou dans cet appareil. Cet appareil est spécialement conçu pour chauffer ou cuire la nourriture. L'emploi de produits chimiques corrosifs pendant la cuisson ou le nettoyage endommagera l'appareil et pourrait causer des blessures.

AVIS :

Il est possible que la paroi arrière se décolore sous certaines conditions de cuisson.

AVERTISSEMENT

DANGER DE BASCULEMENT SUR LES CUISINIÈRES



- ▶ Toutes les cuisinières peuvent basculer et entraîner des blessures. Pour éviter tout basculement accidentel de la cuisinière, fixez-la au sol, au mur ou à l'armoire en installant le support anti-basculement fourni.
- ▶ Un enfant ou un adulte peut faire basculer la cuisinière et être tué ou gravement blessé. Vérifiez que le support antibasculement est correctement installé. Assurez-vous que le support anti-basculé est engagé lorsque la cuisinière est déplacée.
- ▶ **NE PAS** faire fonctionner la cuisinière si le support antibasculement n'est pas en place. Non-respect des instructions de ce manuel peut entraîner la mort ou des brûlures graves pour les enfants et les adultes.
- ▶ Si la cuisinière est déplacée pour le nettoyage, l'entretien ou toute autre raison, assurez-vous que le support anti-basculé est correctement ré-engagé lorsque la cuisinière est remise en place. En cas d'utilisation anormale (telle qu'une personne debout, assise ou appuyée sur une porte ouverte), le non-respect de cette précaution peut entraîner le basculement de la cuisinière. Des blessures peuvent résulter du déversement de liquides chauds ou de la cuisinière elle-même.
- ▶ Vérifiez que le support anti-basculement est correctement installé et utilisé. Inclinez délicatement la cuisinière vers l'avant de l'arrière pour s'assurer que le support anti-basculé s'engage dans la patte de la cuisinière et empêche le renversement. La cuisinière ne doit pas se déplacer de plus de 1 po (2,5 cm).

1.4 Module d'induction

AVERTISSEMENT

Ne placez pas d'objets métalliques tels que des couteaux, des fourchettes, des cuillères et des couvercles sur la surface de cuisson car ils peuvent devenir chauds. Après chaque utilisation, éteignez la zone de cuisson à l'aide du bouton de commande. **NE comptez PAS** sur la fonction de détection de casserole pour éteindre les zones de cuisson lorsque vous retirez les casseroles.



IMPORTANTES CONSIGNES DE SÉCURITÉ

LIRE ET CONSERVER CES INSTRUCTIONS

AVERTISSEMENT

Ne pas cuire sur une surface de cuisson cassée - Si la surface de cuisson se brise, les solutions de nettoyage et les débordements peuvent pénétrer dans la surface de cuisson cassée et créer un risque de choc électrique.

- ▶ Contactez immédiatement un fournisseur de services agréé.

Interférence électromagnétique

AVERTISSEMENT

Cette table de cuisson à induction génère et utilise de l'énergie à fréquence ISM qui chauffe les casseroles en utilisant un champ électromagnétique. Elle a été testée et est conforme avec la partie 18 des règlements FCC régissant les appareils ISM. Cette table de cuisson est conforme aux exigences FCC visant à réduire la perturbation des autres dispositifs dans des installations résidentielles. Les tables de cuisson à induction peuvent perturber la réception radio et télévision. En cas d'interférence, l'utilisateur doit essayer de corriger l'interférence en

- ▶ Relocalisant l'antenne de réception de la radio ou du téléviseur.
- ▶ Augmentant la distance entre la table de cuisson et le récepteur.
- ▶ Branchant le récepteur à une prise différente de celle du récepteur.
- ▶ C'est à l'utilisateur qu'il incombe de corriger toute perturbation.

MISE EN GARDE

Les personnes avec un stimulateur cardiaque ou autre dispositif médical similaire devraient redoubler de vigilance lorsqu'elles sont à proximité d'une table de cuisson à induction en marche.

- ▶ Consultez votre médecin ou le fabricant du stimulateur cardiaque pour de plus amples renseignements sur les effets que peuvent causer les champs électromagnétiques provenant d'une table de cuisson à induction.

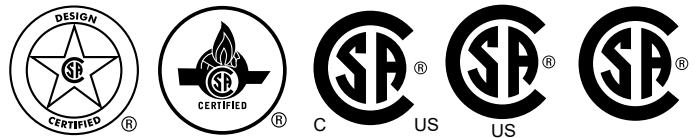
1.5 Fonctionnement à distance

MISE EN GARDE

Cet appareil peut être configurable pour permettre un fonctionnement à distance à tout moment.

- ▶ Ne pas ranger de matières inflammables ou d'articles sensibles à la chaleur à l'intérieur, sur le dessus ou près de la surface de l'appareil.

1.6 Exigences et normes



- L'appareil doit être électriquement mis à la terre conformément aux codes locaux ou, en l'absence de codes locaux, avec le Code national de l'électricité, NFPA 70 ou le Code canadien de l'électricité, CSA C22.1.
- L'installation doit être conforme aux codes locaux ou, en l'absence de tels codes, au National Fuel Gas Code ANSI Z223.1/NFPA 54 ou, au Canada, au code national CSA B149.1 d'installation du gaz naturel et du propane.
- L'installation d'appareils conçus pour une installation dans des maisons préfabriquées (mobiles) doit être conforme à la Norme de sécurité et de construction de maisons préfabriquées, Titre 24 CFR, Partie 3280 [anciennement la Norme fédérale pour la construction et la sécurité des maisons mobiles, Titre 24, HUD {Partie 280}] ou avec les codes locaux le cas échéant.
- L'installation d'appareils conçus pour les remorques de parc de loisirs doit être conforme aux codes de l'État ou autres ou, en l'absence de tels codes, à la norme ANSI A119.5 Park Model Recreational Vehicle.
- Voir les instructions d'installation pour les exigences électriques, les instructions de mise à la terre et le dégagement aux exigences en matière de matériaux combustibles.
- L'entretien ne doit être effectué que par un prestataire de service agréé.
- Il est de la responsabilité du propriétaire et de l'installateur de déterminer si des exigences et/ou des normes supplémentaires s'appliquent à des installations spécifiques.



IMPORTANTES CONSIGNES DE SÉCURITÉ

LIRE ET CONSERVER CES INSTRUCTIONS

1.7 Exigences en matière de gaz

Gaz naturel w.c.

Minimum	7 po (17,4 mbar)
Maximum	14 po (34,9 mbar)

GPL gaz w.c.

Minimum	11 po (27,4 mbar)
Maximum	14 po (34,9 mbar)

- Une soupape manuelle doit être installée dans un endroit accessible dans la tuyauterie de gaz externe à l'appareil afin d'allumer ou de couper le gaz à l'appareil.
- Dans le cas où un brûleur s'éteint et du gaz s'échappe, ouvrez une fenêtre ou une porte. **N'essayez PAS** d'utiliser l'appareil tant que le gaz n'a pas eu le temps de se dissiper. Attendez au moins 5 minutes avant d'utiliser l'appareil.
- La profondeur maximale des armoires installées au-dessus de la surface de cuisson doit être de 13 po (330 mm).

Pour les installations au Massachusetts :

- L'installation doit être exécutée par un entrepreneur, un plombier ou un ajusteur d'appareils à gaz qualifié ou autorisé par l'État, la province ou la région d'installation de cet électroménager.
- Le robinet d'arrêt doit être robinet à gaz avec poignées en T.
- Le connecteur à gaz souple ne doit pas dépasser 36 pouces (914 mm).

1.8 Mises en garde conformément à la proposition 65 de l'État de Californie

Ce produit pourrait contenir un produit chimique reconnu par l'État de la Californie comme cancérigène ou ayant des effets nocifs sur la reproduction. Par conséquent, vous pourriez devoir apposer l'étiquette suivante sur l'emballage du produit comme requis par la Californie :

AVERTISSEMENT ISSUE DE LA PROPOSITION 65 DE L'ÉTAT DE LA CALIFORNIE :

 **AVERTISSEMENT**

Cancer et dommages à la reproduction -
www.P65Warnings.ca.gov

Safe Drinking Water and Toxic Enforcement Act »), le gouverneur de Californie est tenu de publier une liste des substances reconnues par l'État de Californie comme étant cancérigènes ou pouvant causer des malformations ou présenter un danger pour la reproduction, et les entreprises sont tenues d'avertir les consommateurs des risques potentiels d'exposition à de telles substances. La combustion de gaz combustible pour la cuisson et l'élimination de résidus pendant l'autonettoyage peuvent générer de faibles quantités de monoxyde de carbone. Dans les fours équipés du Nettoyage Auto, de faibles quantités de formaldéhyde peuvent se dégager lors de l'élimination des salissures pendant les quelques premiers cycles autonettoyants. La Californie classe le formaldéhyde parmi les produits potentiellement cancérigènes. Le monoxyde de carbone est une cause possible de toxicité pour la reproduction. Il est possible de réduire l'exposition à ces substances en :

- assurant une bonne ventilation lors de la cuisson au gaz; et
- assurant une bonne ventilation pendant et immédiatement après le cycle d'autonettoyage du four;
- utilisant l'appareil selon les instructions de ce manuel.

AVIS DE SÉCURITÉ IMPORTANT : En application de la loi californienne concernant la salubrité de l'eau et la protection contre les substances chimiques (« California

2 Prévenir les bris matériels

2.1 Prévenir les dommages à la cavité du four

AVIS :

La présence d'objets sur le fond de la cavité du four provoquera une accumulation de chaleur. Les temps de cuisson et de rôtissage ne seront alors plus exacts et cela risque d'endommager l'émail.

- ▶ Ne couvrez pas le fond de la cavité du four avec du papier d'aluminium ou du papier sulfurisé.
- ▶ Ne placez pas d'accessoires sur le fond de la cavité du four.

Ne laissez pas le papier d'aluminium dans la cavité du four entrer en contact avec la vitre de la porte, cela pourrait provoquer une décoloration permanente.

Ne versez jamais d'eau dans la cavité du four lorsqu'elle est encore chaude. Ne placez jamais d'ustensiles de cuisine contenant de l'eau sur le fond de la cavité du four. La présence prolongée d'humidité dans la cavité du four entraîne une corrosion.

- ▶ Laissez la cavité du four sécher après usage.
- ▶ Ne gardez pas les aliments humides dans la cavité du four pendant une longue période avec la porte fermée.
- ▶ Ne conservez pas d'aliments dans la cavité du four.

Laissez l'appareil refroidir avec la porte ouverte endommagera le devant des éléments de cuisine voisins au fil du temps.

- ▶ Laissez toujours la cavité du four refroidir avec la porte fermée après la cuisson à des températures élevées. Ne laissez la cavité du four sécher avec la porte ouverte que si beaucoup d'humidité a été produite pendant le fonctionnement.

Le jus de fruit qui s'égoutte d'un moule laisse des taches qui ne peuvent pas s'enlever.

- ▶ Lors de la cuisson de tartes aux fruits très juteuses, n'en mettez pas trop sur la plaque à pâtisserie.

Si le joint est très sale, la porte de l'appareil ne se fermera pas correctement lorsque l'appareil est en marche. Cela pourrait endommager l'avant des unités de cuisine adjacentes.

- ▶ Ne faites pas fonctionner l'appareil si le joint est endommagé ou manquant. Ne faites pas fonctionner l'appareil si le joint est endommagé ou manquant.

S'asseoir ou placer des objets sur la porte de l'appareil peut l'endommager.

- ▶ Ne placez pas et ne suspendez pas d'objets sur la porte de l'appareil.
- ▶ Ne placez pas d'ustensiles de cuisine ou d'accessoires sur la porte de l'appareil.

Avec certains modèles, les accessoires peuvent rayer la vitre de la porte lors de la fermeture de la porte de l'appareil.

- ▶ Poussez toujours complètement les accessoires dans la cavité du four.

Le transport de l'appareil par la poignée de porte pourrait le casser. La poignée de porte ne peut pas supporter le poids de l'appareil.

- ▶ Ne pas porter ou tenir l'appareil par la porte.

2.2 Éviter d'endommager la table de cuisson

AVIS :

DÉFAUT DE FONCTIONNEMENT.

- ▶ Tournez toujours le bouton de commande sur la position **OFF** lorsque l'appareil n'est pas utilisé. La surchauffe peut endommager la batterie de cuisine.
- ▶ Ne chauffez pas de casseroles ou poêles vides. Les ustensiles de cuisson chauds peuvent provoquer une surchauffe des composants électroniques.
- ▶ Ne posez jamais de poêles et de casseroles chaudes sur le panneau de commande ou le cadre de la table de cuisson.

Le papier d'aluminium et le plastique fondent sur des brûleurs chauds.

- ▶ Ne laissez pas de papier d'aluminium ou de plastique entrer en contact avec des brûleurs chauds. Une accumulation de chaleur peut endommager l'appareil.
- ▶ Ne couvrez jamais la table de cuisson, par exemple avec du papier d'aluminium ou des protecteurs de four.
- ▶ Ne placez pas les rôtissoires, les poêles à frire ou les pierres à griller sur plus d'un brûleur à la fois.
- ▶ N'utilisez que les accessoires spécifiés.

Les liquides acides tels que le jus de citron ou le vinaigre peuvent endommager la finition de surface de l'appareil.

- ▶ Retirez immédiatement les liquides renversés. Soyez prudent lorsque les brûleurs sont encore chauds. La chaleur peut endommager les appareils ou les meubles adjacents. Si l'appareil fonctionne pendant une période prolongée, de la chaleur et de l'humidité seront générées. Une ventilation supplémentaire est nécessaire.
- ▶ Ouvrez la fenêtre ou allumez une hotte aspirante qui évacue l'air extrait et l'humidité à l'extérieur du bâtiment.

3 Protection de l'environnement et économies

3.1 Mise au rebut de l'emballage

Les matériaux d'emballage sont écologiques et recyclables.

- ▶ Veuillez éliminer les pièces détachées après les avoir triées par matières.

3.2 Économie d'énergie lors de l'utilisation du four

Si vous suivez ces conseils, votre appareil consomme moins d'énergie.

Préchauffez l'appareil uniquement si la recette ou les réglages recommandés vous le demandent.

- ✓ Ne pas préchauffer l'appareil peut réduire l'énergie consommée.

Utilisez des plaques de cuisson de couleur foncée, à revêtement noir ou émaillées.

- ✓ Ces types de moules absorbent particulièrement bien la chaleur.

Ouvrez la porte de l'appareil le moins possible pendant le fonctionnement.

- ✓ Cela maintiendra la température dans la cavité du four et éliminera le besoin de réchauffer l'appareil.

Lors de la cuisson de plusieurs plats, faites-le successivement ou en même temps.

- ✓ La cavité du four est chauffée après la cuisson du premier plat. Cela réduit le temps de cuisson du deuxième plat.

Si le temps de cuisson est relativement long, vous pouvez éteindre l'appareil 10 minutes avant la fin du temps de cuisson.

- ✓ Il y aura suffisamment de chaleur résiduelle pour terminer la cuisson du plat.

Retirez tous les accessoires non utilisés de la cavité du four.

- ✓ Une casserole supplémentaire sans nourriture affecte le brunissement et la cuisson.

Laissez décongeler les aliments congelés avant de les cuire.

- ✓ Cela permettra d'économiser l'énergie qui serait autrement nécessaire pour le dégivrer.

3.3 Économie d'énergie lors de l'utilisation de la table de cuisson

Si vous suivez ces conseils, votre appareil consomme moins d'énergie.

Sélectionnez un diamètre d'ustensile qui correspond au brûleur. Centrez la casserole sur le brûleur. Choisissez des ustensiles de cuisine dont le diamètre de base correspond à la zone de cuisson. Centrez la casserole sur la zone de cuisson.

Conseil : Les fabricants d'ustensiles de cuisine indiquent généralement le diamètre supérieur de l'ustensile. Le diamètre de la base de la batterie de cuisine est généralement plus petit.

- ✓ L'énergie est destinée à la batterie de cuisine. Si vous utilisez des ustensiles de cuisine trop petits, vous gaspillez de l'énergie. Si la batterie de cuisine est trop grande, beaucoup d'énergie est utilisée pour chauffer la batterie de cuisine.

Fermez la casserole avec un couvercle approprié.

- ✓ Cuire sans couvercle consomme plus d'énergie.

Ne soulevez le couvercle que si nécessaire.

- ✓ Si vous soulevez le couvercle, beaucoup d'énergie peut s'échapper.

Utilisez un couvercle en verre.

- ✓ Si vous utilisez un couvercle en verre, vous pouvez regarder à l'intérieur de l'ustensile sans soulever le couvercle.

Utiliser des ustensiles de cuisson à base solide plate.

- ✓ Les bases incurvées des ustensiles de cuisine augmentent la consommation d'énergie.

Utilisez une taille d'ustensile qui correspond à la quantité d'aliments que vous souhaitez cuire.

- ✓ Les ustensiles de cuisine avec peu de contenu consomment beaucoup d'énergie.

Faites cuire avec un peu d'eau.

- ✓ Plus d'eau nécessite plus d'énergie pour la chauffer.

Sélectionnez un niveau de puissance inférieur dès que possible. Sélectionnez un niveau de puissance adapté pour poursuivre la cuisson.

- ✓ Pour une cuisson en cours, un niveau de puissance inférieur est suffisant.

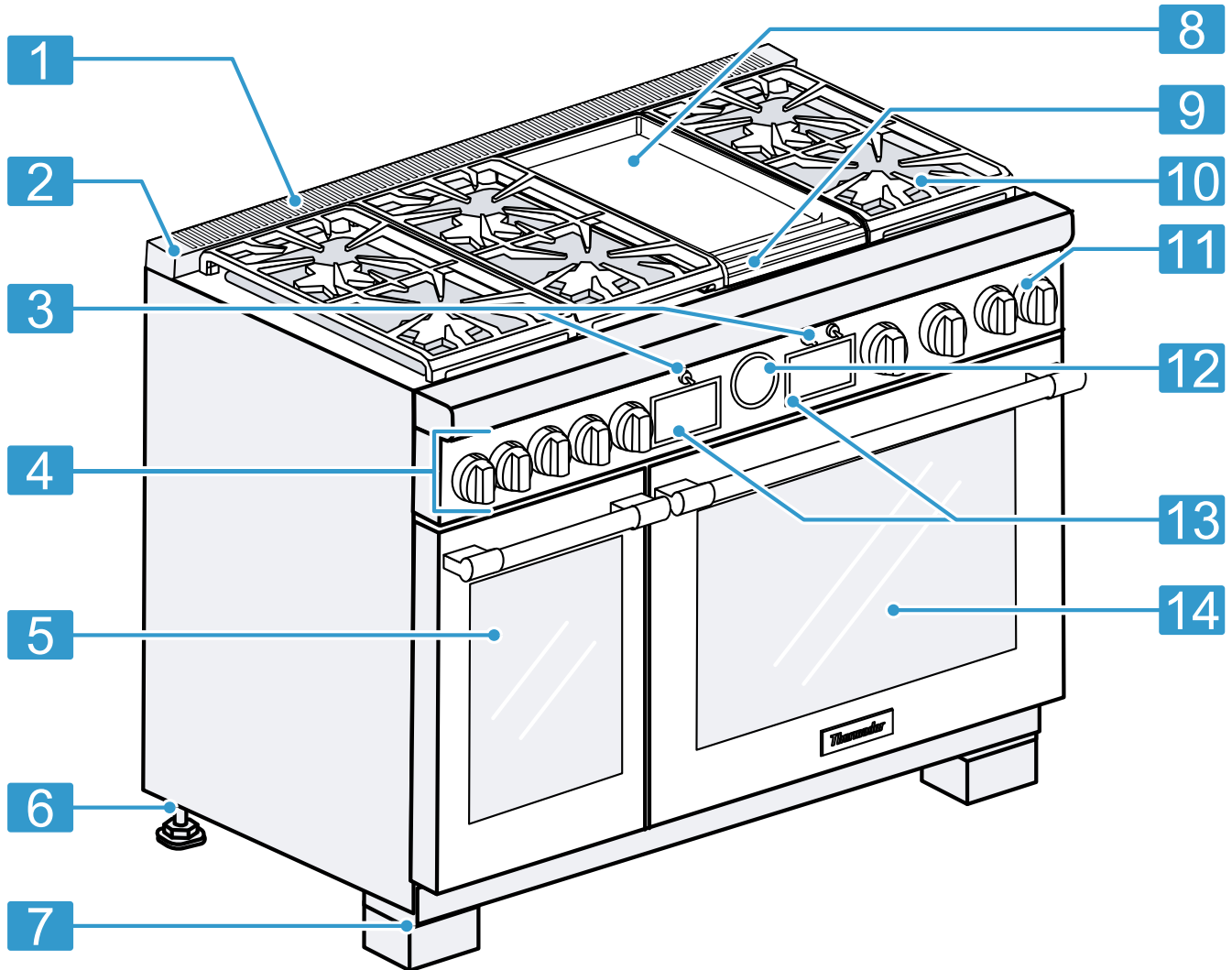
4 Description de l'appareil

Ce manuel couvre plusieurs modèles. Votre modèle peut avoir certaines des caractéristiques répertoriées, mais pas toutes.

4.1 Électroménager

Cette section contient une vue d'ensemble des composants de votre appareil.

Remarque : Les graphiques sont représentatifs. Votre appareil peut avoir des apparences graphiques ou de conception différentes.



- | | |
|---|---|
| 1 | Garniture de ventilation arrière/ventilation du four |
| 2 | Garniture d'îlot incluse ou dossier bas commandé séparément
Voir manuel d'installation concernant l'espacement derrière la cuisinière lors de l'utilisation de la cuisinière avec la garniture d'îlot. |
| 3 | Interrupteur de la lumière |
| 4 | Panneau de commande |
| 5 | Four secondaire |
| 6 | Pieds de la cuisinière |

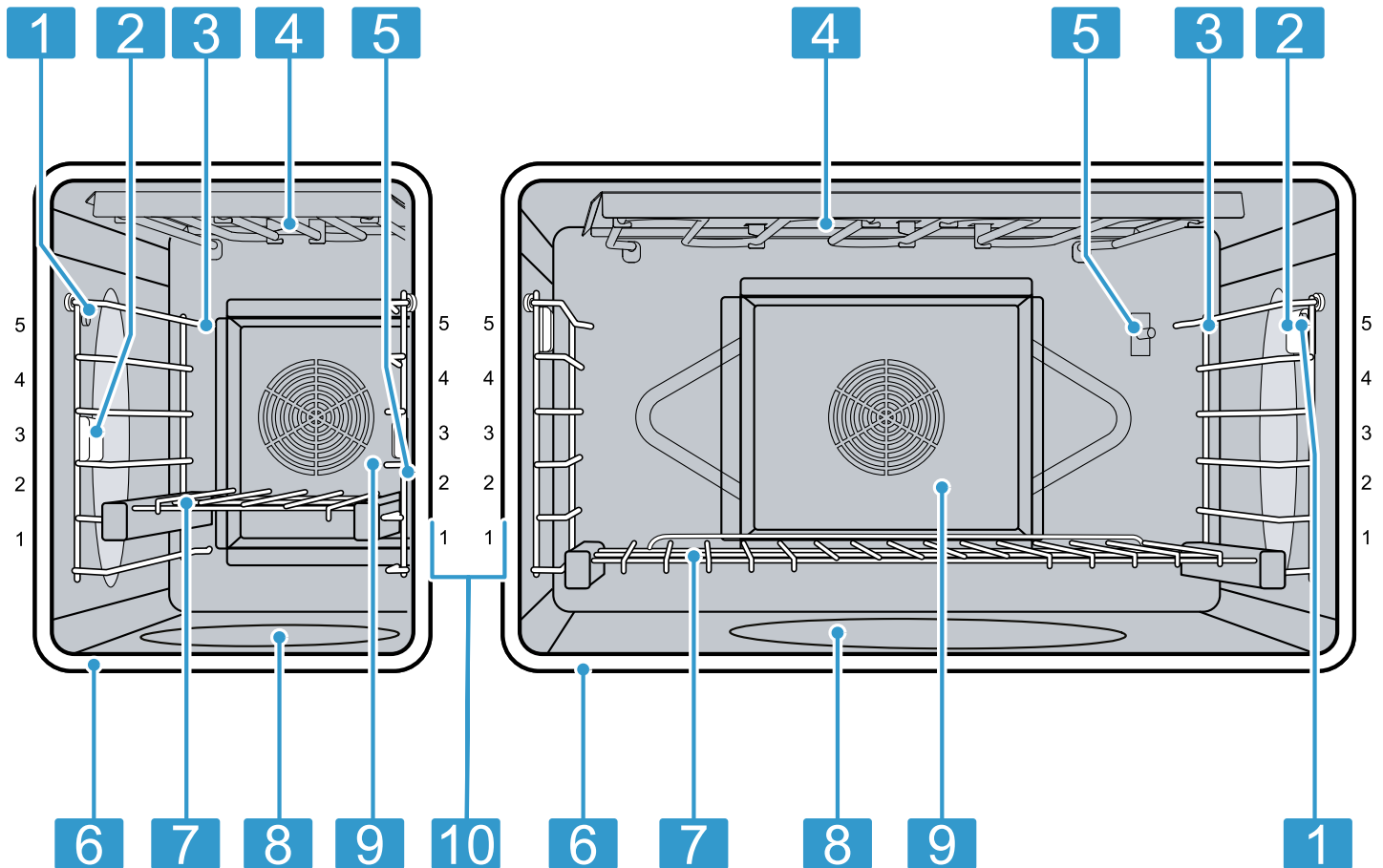
- | | |
|----|---|
| 7 | Couvre-pattes
Modèles Pro Grand® uniquement. Si des couvre-pattes supplémentaires sont nécessaires, vous pouvez les commander gratuitement de Support à la clientèle jusqu'à un an après la date de livraison de l'appareil gratuitement.
→ "Service à la clientèle", Page 78 |
| 8 | Option plaque chauffante
Les options varient selon le modèle. |
| 10 | Plaque de cuisson (option plaque de cuisson électrique) |
| 11 | Boutons de commande |
| 12 | Indicateur de température |
| 13 | Écran du four |

14 Four principal**4.2 Cavité du four**

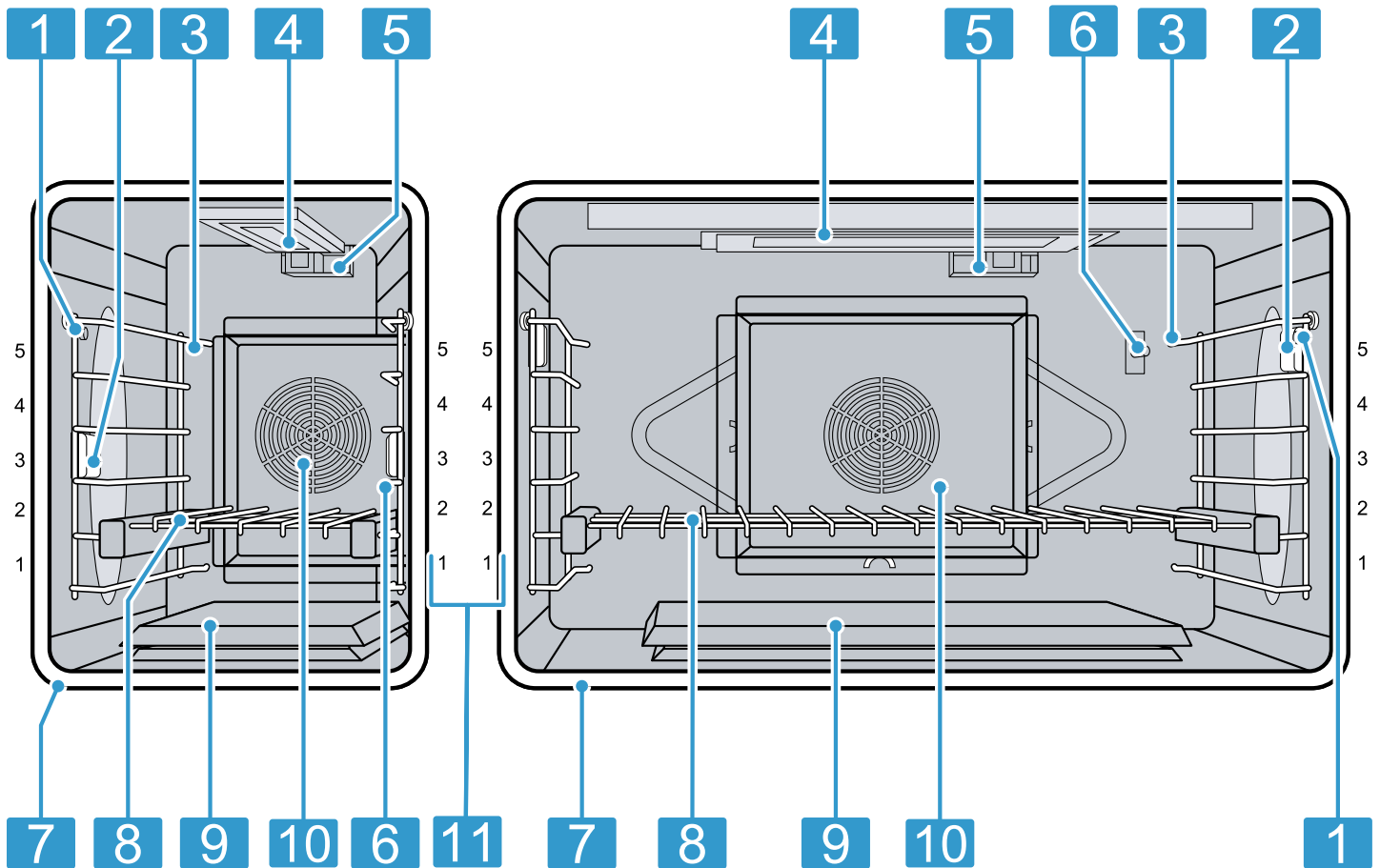
Vous trouverez ici des informations sur les caractéristiques de la cavité du four.

⚠ MISE EN GARDE

Ne placez rien sur le fond de la cavité du four. Ne couvrez pas la sole avec une feuille de papier aluminium. Une accumulation de chaleur pourrait endommager l'appareil ou causer des blessures.

Cavité de four bi-combustible**1** Prise pour sonde thermique**2** Éclairage de four**3** Rails de four**4** Élément de gril**5** Thermostat four**6** Joint d'étanchéité de porte**7** Grilles de four**8** Élément de cuisson, caché**9** Couvercle du ventilateur de convection**10** Positions des grilles

Cavité du four à gaz



1	Prise pour sonde thermique
2	Éclairage de four
3	Rails de four
4	Brûleur de gril infrarouge
5	Allumeur de gril
6	Thermostat four
7	Joint d'étanchéité de porte
8	Grilles de four
9	Brûleur de cuisson, caché
10	Couvercle du ventilateur de convection
11	Positions des grilles

Évent du four

De l'air chaud peut s'échapper de l'évent du four avant, pendant et après la cuisson. Il est normal de voir de la vapeur s'échapper de l'évent, et de la condensation pourrait s'accumuler dans cette zone. Cette zone peut être chaude lorsque le four fonctionne.

⚠ MISE EN GARDE

Les événements du four sont importants pour la circulation de l'air. Couvrir les événements du four entraînera une surchauffe du four. Reportez-vous à l'aperçu de l'appareil pour connaître l'emplacement des événements du four.

→ "Électroménager", Page 50

► N'obstruez pas les événements du four.

Ventilateur de convection

Le ventilateur de convection fonctionne pendant tous les modes de convection.

Lorsque le four fonctionne en mode convection, le ventilateur s'éteint automatiquement lorsque la porte est ouverte.

Le ventilateur de convection peut également fonctionner pendant l'autonettoyage.

Ventilateur de refroidissement

Le ventilateur de refroidissement est en marche dans tous les modes de cuisson.

Lorsque le four est en marche, le ventilateur est audible et l'air chaud peut être ressenti par la ventilation du four. Il se peut également que le ventilateur continue de tourner après que le four a été éteint.

Éclairage de four

Votre appareil est équipé d'un éclairage de four. Pour allumer ou éteindre l'éclairage du four, basculez l'interrupteur d'éclairage sur le panneau de commande du four vers le haut ou vers le bas.

Panneau lumineux

Pour allumer ou éteindre l'éclairage du panneau, basculez l'interrupteur d'éclairage sur le panneau de commande du four vers le haut ou vers le bas.

Indicateur de température

L'aiguille de la jauge pointe vers la température sélectionnée et sert uniquement de référence. Il ne reflète pas la température réelle du four.

4.3 Commandes du four

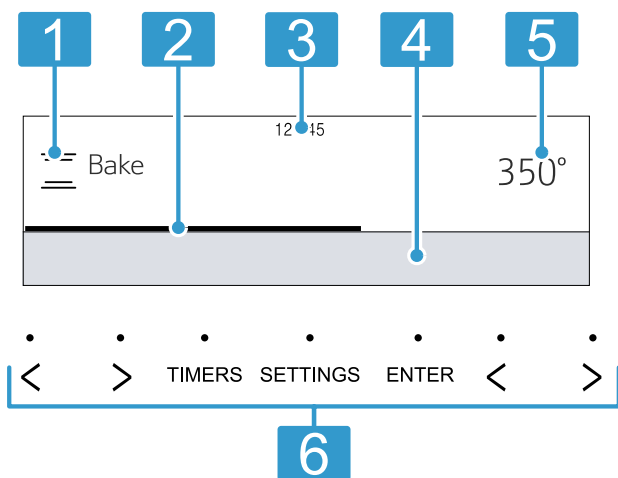
Selon le modèle, les éléments de commande pour chaque cavité du four peuvent inclure un bouton à double fonction ou deux boutons séparés pour la sélection du mode et de la température et un affichage du four avec des touches tactiles.

Utilisation du bouton de commande à double fonction

Pour certaines cuisinières, vous pouvez régler le mode de chauffage et la température de la cavité du four avec le même bouton de commande.

1. Tournez la bague de réglage autour du bouton de commande pour régler le mode de chauffage.
2. Tournez le bouton de commande pour régler la température.

Écran du four



1 Mode de fonctionnement
Mode ou fonction de chauffage actuellement sélectionné

2 Barre de progression
Se remplit pour indiquer la progression, par ex. pour

- préchauffage
- température de la sonde à viande

3 Horloge
Affiche l'heure dans tous les modes de fonctionnement

4 Zone pour l'information
Affiche des instructions ou des informations

5 Réglage de mode
Réglages du mode de chauffage, par ex. Température

6 Touches tactiles

Touches tactiles du four

Vous trouverez ici des informations sur les fonctions de fonctionnement de base de votre four.

Touche tactile	Fonction
<>	Naviguer dans les options d'affichage
TIMERS	Entrez dans le menu de la minuterie
SETTINGS	Accéder aux paramètres de base
ENTER	Confirmer les valeurs saisies / Démarrer le mode chauffage

4.4 Boutons de commande de la cuisinière

L'icône à côté de chaque bouton de commande montre la disposition de la cuisinière. La section noire indique à quel brûleur le bouton de commande est destiné.

Selon le modèle et les fonctions, les boutons de commande peuvent avoir les marquages suivants :

Position	Réglage
OFF	Brûleur ou foyer éteint
Brûleurs	
⚡	Allumage
HI	Réglage de chaleur standard le plus élevé
LO	Réglage de chaleur standard le plus bas
XLO	ExtraLow®
XHI	PowerBoost®
Zone d'induction	
1 - 9	Niveaux de puissance
⏸	HeatShift®
+	Zone de cuisson Liberty®
XHI	PowerBoost®
Plaque électrique	
250 - 500	Réglage de la température en °F

5 Accessoires

Utilisez uniquement des accessoires d'origine. Ils ont été spécialement conçus pour votre appareil. Les accessoires fournis peuvent différer selon le modèle d'appareil.

5.1 Accessoires de four

Votre appareil comprend les accessoires de four suivants.

Autres accessoires	Utilisation
Grille métallique	<ul style="list-style-type: none"> ■ Ces grilles peuvent être utilisées pour la plupart des cuissons. ■ Vous pouvez utiliser plusieurs grilles en même temps. <p>Remarque : Ne nettoyez pas en utilisant la fonction SELF CLEAN.</p>
Grille télescopique	<p>Utiliser cette grille afin de faciliter l'insertion des plats dans le four.</p> <p>Remarque : Ne nettoyez pas en utilisant la fonction SELF CLEAN.</p>
Sonde à viande	<p>La sonde à viande peut être utilisée pour déterminer la température interne de nombreux aliments, en particulier les viandes et la volaille.</p> <p>Remarques</p> <ul style="list-style-type: none"> ■ Ne nettoyez pas en utilisant la fonction SELF CLEAN. ■ Ne pas nettoyer au lave-vaisselle.
Lèche-frite et grille	<p>Sert à griller et rôtir.</p> <p>Remarques</p> <ul style="list-style-type: none"> ■ Ne nettoyez pas en utilisant la fonction SELF CLEAN. ■ Vous pouvez nettoyer cet accessoire au lave-vaisselle.

5.2 Autres accessoires

Vous pouvez acheter des accessoires supplémentaires auprès du service client, de revendeurs spécialisés ou sur Internet.

Vous pouvez trouver une gamme complète de votre appareil sur Internet ou dans nos brochures:

www.thermador.com

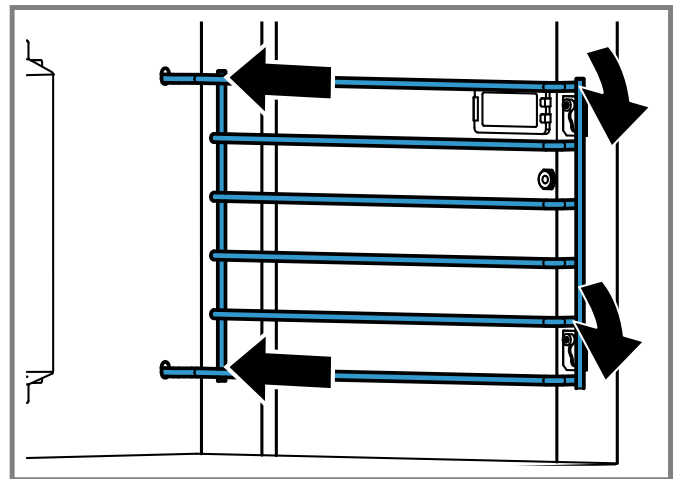
Les accessoires sont spécifiques à l'appareil. Indiquez toujours la description exacte (n ° E) de votre appareil lors de l'achat.

Vous pouvez connaître les accessoires disponibles pour votre appareil dans la boutique en ligne ou auprès du service client.

5.3 Installation des guides de grille

1. Poussez les deux rails dans les trous à l'arrière de la cavité du four. ①
2. Faites glisser les fentes de clé du guide sur les boulons à épaulement.

3. Appuyez sur l'avant du guide de grille ②.



Retrait des guides de grille

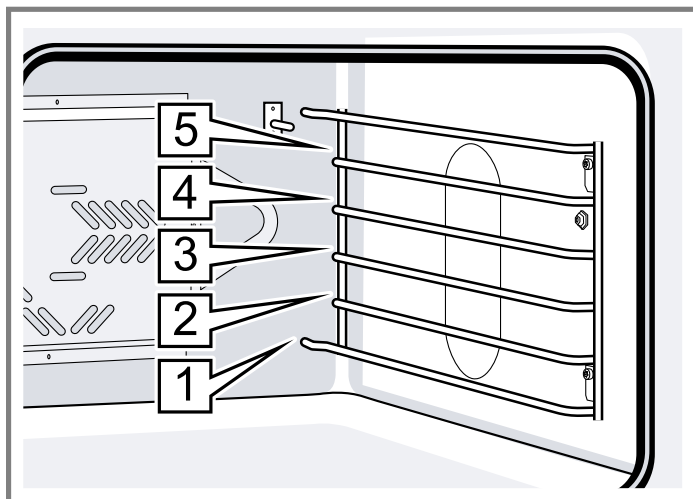
1. Appuyez sur l'avant du guide de grille pour dégager les têtes des deux boulons à épaulement.
2. Tirez le guide de grille vers l'avant.

5.4 Positions des grilles

Votre four a 5 positions de grille. Les positions de grille sont comptées de bas en haut.

Utiliser uniquement les positions de grille de 1 à 5.

N'essayez PAS d'utiliser le guide supérieur pour soutenir une grille du four, il pourrait basculer.



Reportez-vous à nos recommandations pour sélectionner la position de grille appropriée.

5.5 Utilisation sûre des grilles de four

Pour votre sécurité, suivez ces recommandations sur l'utilisation correcte des grilles du four.

⚠ MISE EN GARDE

Placement des grilles du four - Placez toujours les grilles du four dans l'emplacement pendant que le four est froid. Si la grille doit être déplacée alors que le four est chaud, ne laissez pas les maniques entrer en contact avec les éléments chauffants chauds du four. Soyez prudent lorsque vous retirez les grilles du four de la position la plus basse pour éviter tout contact avec la porte chaude du four.

⚠ MISE EN GARDE

Pour éviter d'éventuelles blessures ou dommages à l'appareil, assurez-vous que la grille du four est installée exactement selon les instructions d'installation et non vers l'arrière ou à l'envers. Ne glissez pas d'accessoires entre les grilles, sinon ils risquent de se renverser.

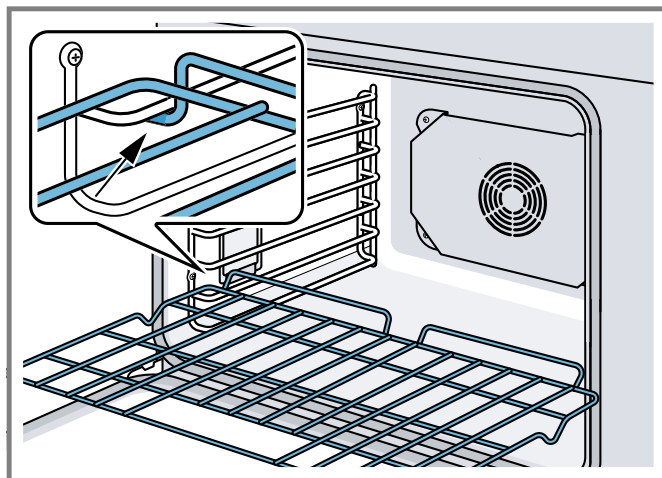
5.6 Insertion de la grille métallique

La grille peut être utilisée dans le four conventionnel au niveau 1 à 5.

Exigence : Vous avez lu la recommandation sur → "Utilisation sûre des grilles de four", Page 55.

1. Saisissez fermement la grille des deux côtés.

2. Inclinez la grille vers le haut pour permettre l'arrêt dans le guide de la grille.



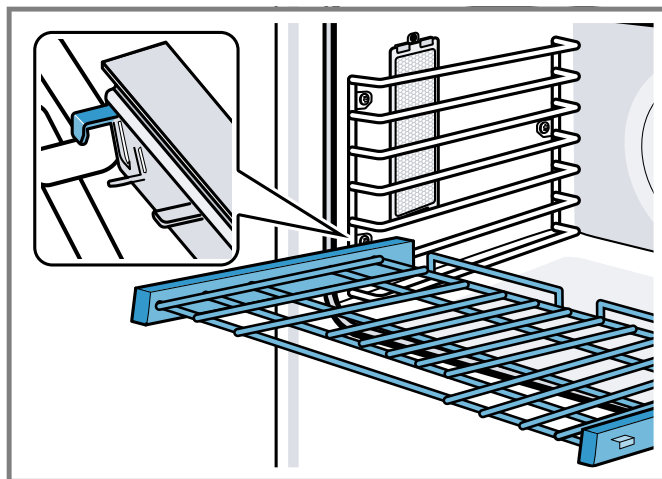
3. Amenez la grille en position horizontale et poussez-la à fond.

La grille doit être droite et plate, pas tordue.

5.7 Installation des grilles FullAccess®

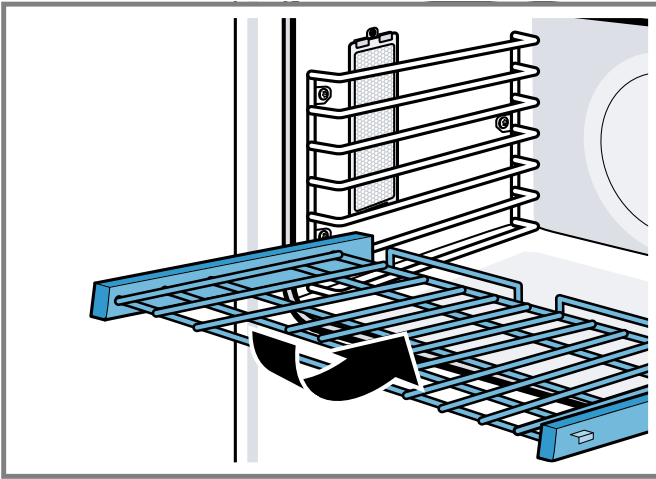
Exigence : Vous avez lu la recommandation sur → "Utilisation sûre des grilles de four", Page 55.

1. Tenez la grille télescopique légèrement inclinée et engagez les crochets arrière dans les rails du four des deux côtés de la cavité du four.

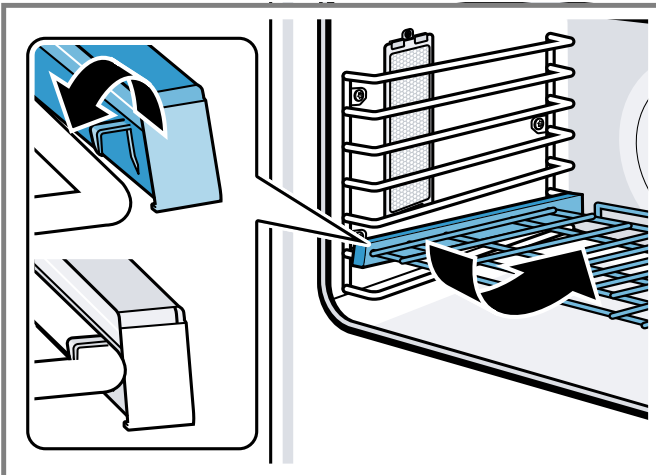


2. Tenez la grille bien droite pour permettre à la deuxième languette de reposer sur la barre du four.

3. Poussez la grille jusqu'à ce qu'elle soit de niveau avec les crochets avant.



4. Levez la grille pour verrouiller la dernière languette en position.



5. Enfoncez complètement la grille.
6. Assurez-vous que les crochets avant de la grille télescopique s'engagent dans les rails du four.

6 Avant d'utiliser pour la première fois

Effectuez ces étapes avant d'utiliser votre appareil.

- L'appareil doit être correctement installé par un prestataire de services qualifié avant l'utilisation.
- Lisez et comprenez toutes les précautions et informations de sécurité → Page 41 dans le manuel avant de l'utiliser.
- Téléchargez l'application Home Connect® (Amérique) pour contrôler à distance votre appareil, trouver l'inspiration pour cuisiner et accéder aux conseils et à l'assistance technique.
→ "Home Connect®", Page 66
- Ce manuel couvre plusieurs modèles. Toutes les fonctionnalités ne sont pas disponibles sur tous les modèles.

6.1 Paramètres de démarrage

Une fois l'appareil connecté à l'alimentation électrique, vous êtes invité à définir certains paramètres de base pour vous assurer que vous pouvez utiliser votre appareil de manière pratique et sûre.

Exigence : Tous les boutons de commande du four sont tournés vers **OFF**.

1. Connectez l'appareil à l'alimentation électrique.
 - ✓ Les paramètres de base s'ouvrent automatiquement.
2. Sélectionnez un paramètre avec la gauche < ou >.
3. Changez l'option souhaitée avec la droite < ou >.
4. Appuyez sur **ENTER** pour confirmer la sélection ou **SETTINGS** pour annuler les modifications.
 - ✓ L'écran passe en mode veille.

Remarque : Vous pouvez accéder aux paramètres à tout moment en appuyant sur **SETTINGS** pendant que l'appareil est en mode veille. Tous les boutons du four doivent être tournés vers **OFF** pour accéder aux paramètres.

6.2 Nettoyage de l'appareil avant sa première utilisation

Nettoyez la cavité du four et les accessoires avant d'utiliser l'appareil pour préparer des aliments pour la première fois.

1. Retirez tous les matériaux d'emballage de la cavité du four. Pour les modèles à deux fours, vérifiez les deux cavités du four.
2. Avant de chauffer l'appareil, essuyez les surfaces lisses dans la cavité du four avec un chiffon doux et humide et séchez.
3. Gardez la pièce ventilée pendant que l'appareil chauffe.
4. Faites chauffer le four selon les instructions suivantes.

Avec mode de chauffage conventionnel :

- Réglez le four sur **CONV BAKE** à 450 °F (230 °C) pendant 20 à 30 minutes.
- Réglez ensuite le four sur **BROIL** pendant 20 à 30 minutes.

Avec fonction d'auto-nettoyage (si équipé) :

- Retirez les grilles du four.
- Réglez le four sur **SELF CLEAN**.
→ "Fonction autonettoyante", Page 73

5. Attendez que la cavité du four ait refroidi.
6. Nettoyez les surfaces lisses avec un torchon à vaisselle et de l'eau savonneuse.
7. Laver soigneusement les accessoires avec de l'eau savonneuse et un chiffon et bien rincer.
8. Si équipé, chauffez la plaque électrique pendant environ 10 minutes pour éliminer les résidus de fabrication et les odeurs. Laisser refroidir et laver à l'eau tiède savonneuse et bien rincer.

Remarque : Il peut y avoir une légère odeur aux premières utilisations. Ceci est normal et disparaîtra.

6.3 Placement du chapeau du brûleur

Il faut que les chapeaux de brûleurs soient correctement positionnés pour le bon fonctionnement de la table de cuisson.

Si le chapeau du brûleur n'est pas correctement placé, une ou plusieurs des situations suivantes peuvent se produire :

- La flamme du brûleur est trop élevée
- Des flammes jaillissent des brûleurs
- Décolorations de l'acier inoxydable
- Les brûleurs ne s'allument pas
- La flamme du brûleur n'est pas uniforme
- Une odeur de gaz se dégage du brûleur

⚠ AVERTISSEMENT

Pour éviter des flambées, ne pas utiliser la table de cuisson sans tous les chapeaux de brûleurs en place et toutes les grilles de brûleur bien positionnées.

⚠ MISE EN GARDE

Pour éviter les brûlures, ne pas toucher aux chapeaux de brûleur ni aux grilles quand ils sont chauds.

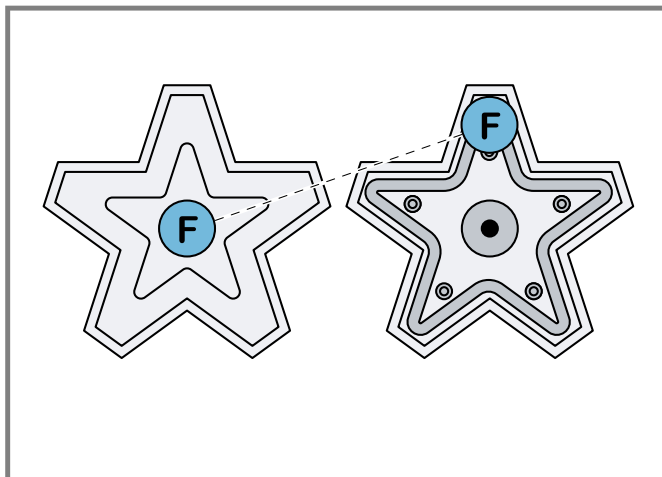
- ▶ Éteindre la table de cuisson et laisser les brûleurs refroidir.

Votre table de cuisson est équipée de brûleurs STAR® scellés. Il n'y a aucune pièce de brûleur sous la cuisinière à nettoyer, démonter ou régler.

Placement des chapeaux de brûleur

Une lettre (B, D ou F) est moulée sous chacun des chapeaux de brûleur et correspond à une lettre moulée dans la base du brûleur (B, D ou F) fixée à l'appareil électroménager.

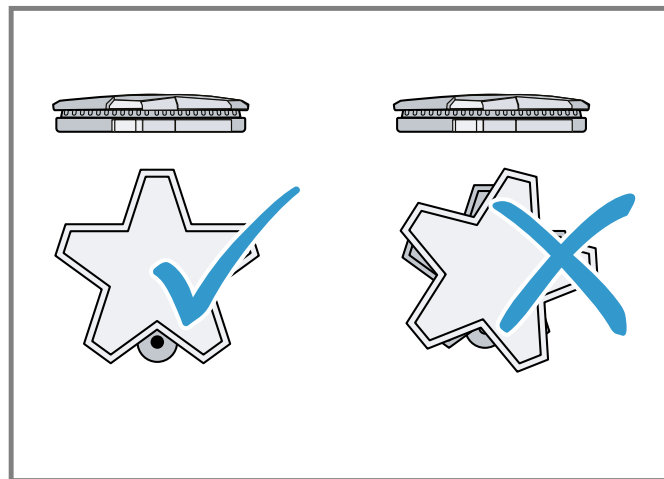
1. Déposer chaque chapeau de brûleur sur sa base correspondante selon la lettre moulée.



2. Déposer délicatement le chapeau de brûleur sur le dessus de la base de sorte que les pattes de la base soient bien ajustées dans la goulotte du chapeau du brûleur.

3. Vérifiez chaque brûleur pour vous assurer qu'il n'y a pas d'espace entre le chapeau du brûleur et la base du brûleur.

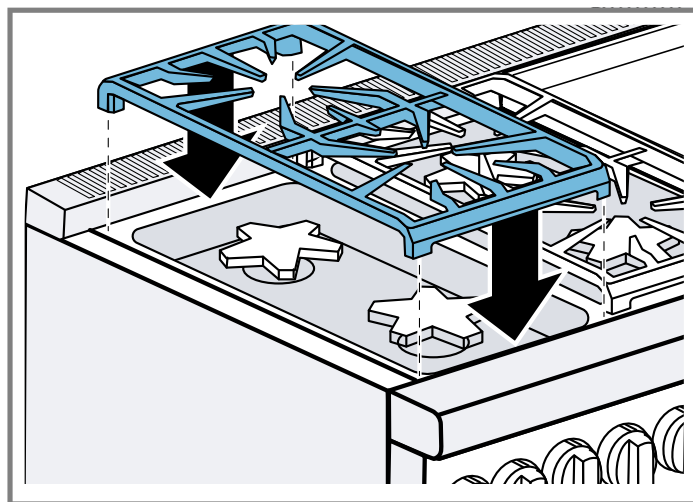
- Doucement essayer de déplacer les chapeaux de brûleur d'un côté à l'autre pour vérifier si les chapeaux sont correctement placés sur les bases des brûleurs.
- Lorsqu'il est correctement placé, chaque capuchon de brûleur repose à plat sur le dessus de sa base de brûleur et recouvre complètement la forme en étoile de la base du brûleur lorsqu'il est vu du dessus.



6.4 Placer les grilles de brûleur

Pour une combustion correcte, n'utilisez pas la table de cuisson sans les grilles du brûleur en place.

1. Placez les grilles du brûleur à plat vers le bas et alignez-les dans le renforcement de la cuisinière.
2. Les grilles des brûleurs doivent reposer l'une contre l'autre et contre les côtés de l'évidement.



6.5 Enregistrer votre appareil

- ▶ Enregistrez votre produit Thermador pour accéder aux informations relatives à votre produit. Pour connaître les informations du produit pour l'enregistrement, consultez
 - "Service à la clientèle", Page 78
 - "Service à la clientèle", Page 78.

7 Fonctionnement du four

Vous trouverez ici tout ce que vous devez savoir sur le fonctionnement de votre four.

7.1 Modes et fonctions de chauffage du four

Vérifiez ici pour voir quels modes de four sont disponibles pour le four principal et le four auxiliaire, le cas échéant.

Remarque : Ce manuel couvre plusieurs modèles. Votre modèle peut avoir certaines des caractéristiques répertoriées, mais pas toutes.

Mode	Définitions et recommandations	Conduite électrique principale	Principal raccord gazier	Raccord électrique secondaire	Raccord gazier secondaire
BAKE	Cuit les aliments avec de l'air chaud et sec. Utilisation pour une variété d'aliments, tels que gâteaux, biscuits, pâtisseries, pains rapides, quiches et casseroles.	+	+	+	+
CONV BAKE	Similaire à la cuisson au four, mais l'air est mis en circulation par un ventilateur à l'arrière du four. Idéal pour les produits boulangers comme les gâteaux, les pains de maïs, les tartes, les pains éclair, les tourtes et les pains à la levure.	+	+	+ ¹	+ ¹
TRUE CONV	Utilise la chaleur diffusée par un troisième élément situé à l'arrière du four. La chaleur circule à l'intérieur du four grâce au ventilateur à convection. Convient tout particulièrement aux aliments en portions individuelles comme les biscuits et les pâtisseries.	+	—	—	—
BROIL	Utilise la chaleur intense diffusée par l'élément supérieur. Pour des pièces tendres et épaisses de viande 1 po (2,5 cm) ou moins ou de volaille; faire dorer le pain et les casseroles.	+	+	+	+
CONV BROIL	Allie la chaleur intense diffusée par l'élément supérieur à l'air chaud qui circule sous l'action d'un ventilateur. Pour des pièces tendres de viande plus de 1 po (2,5 cm), de volaille et de poisson. Ne convient pas au brunissage.	+	—	+ ¹	—
PROOF	À utiliser pour lever la pâte levée et le levain.	—	—	+	+
ROAST	Utilise une chaleur plus intense pour dorer l'extérieur. Idéal pour la viande, la volaille, les morceaux moins tendres de viande et les légumes rôtis.	+	+	+ ¹	+
CONV ROAST	Allie la chaleur de la sole et la chaleur plus intense diffusée par l'élément supérieur (que celle de la cuisson avec convection) à l'air chaud qui circule sous l'action d'un ventilateur. Pour les morceaux tendres de viande et de volaille et les légumes rôtis. La viande est plus tendre et juteuse qu'en mode Rôtir.	+	—	+ ¹	—
SABBATH /prolonger la cuisson	Ce mode de cuisson aide l'utilisateur à se conformer aux principes du Sabbath.	+	+	+ ¹	+ ¹

¹ Modèles Pro Grand® uniquement

² Modèles Pro Harmony® uniquement

³ * Non offert sur les modèles de 30 po (76 cm).

Mode	Définitions et recommandations	Conduite électrique principale	Principal raccord gazier	Raccord électrique secondaire	Raccord gazier secondaire
WARM	Maintien une faible température pour maintenir les aliments chauds. Idéal pour les produits boulangers comme les gâteaux, les pains de maïs, les tartes, les pains éclair, les tourtes et les pains à la levure.	—	—	+	+ ²
SELF CLEAN	Le four atteint une température élevée pour brûler le sol des aliments.	+	+ ¹	+	+ ¹
REMOTE START ³	Vous permet de démarrer, suspendre et abandonner les programmes du four à distance via l'application Home Connect® sur un appareil mobile.	+	+	—	—
FAST PREHEAT ³	Un symbole s'affiche lorsque le préchauffage rapide est activé.	+	—	+	—
PROBE ³	S'affiche à la détection d'une sonde.	+	+	+	+
KITCHEN TIMER ³	La minuterie de cuisine fonctionne de façon indépendante des autres fonctionnalités de l'appareil électroménager.	+	+	+	+
OVEN TIMER ³	Permet de régler une minuterie de cuisson. Affiche le temps restant du fonctionnement du four avant qu'il ne s'arrête automatiquement.	+	+	+	+
DELAY COOK ³	S'utilise lorsque le démarrage programme du four est reporté. Affiche l'heure du jour à laquelle le four s'éteindra automatiquement.	+	+	—	—
PANEL LOCK ³	Empêche toute mise sous tension du four ou bloque toute modification accidentelle des réglages.	+	+	+	+
Verrouillage de la porte ³	Symbole affiché au cours du mode d'auto-nettoyage et après celui-ci alors que la porte est verrouillée.	+	+	+	+
Service à distance ³	Ce symbole est affiché lorsque le Service après-vente est connecté pour un accès à distance.	+	+	—	—
SETTINGS ³	Appuyez pour accéder aux paramètres de base.	+	+	—	—
HOME CONNECT ³	Contrôlez à distance votre appareil avec un clic rapide ou une commande vocale.	+	+	—	—

¹ Modèles Pro Grand® uniquement

² Modèles Pro Harmony® uniquement

³ * Non offert sur les modèles de 30 po (76 cm).

7.2 Réglage du mode de chauffage et de la température

- Placez la grille dans la position de grille désirée et fermez la porte du four.
- Tournez le bouton de sélection de mode sur le mode de chauffage souhaité.
 - ✓ Le mode de chauffage sélectionné s'affiche à l'écran.
- Tournez le bouton de sélection de la température sur la température désirée.
 - ✓ La température sélectionnée s'affiche à l'écran.
 - ✓ La barre de progression se déplace vers la droite au fur et à mesure que le four chauffe.
- Lorsque le préchauffage est terminé, un bip retentit. Placez les aliments à l'intérieur du four.

Éteindre le four

- ▶ Tournez les deux boutons de commande sur **OFF**.
- ✓ Le four s'éteint et l'horloge est affichée.

7.3 Limitation du temps de chauffage

La durée de chauffage maximale est limitée. Si vous oubliez d'éteindre le four, il s'éteint automatiquement après une durée établie. La durée maximale du mode Sabbath est de 74 heures. Pour tous les autres modes de chauffage, la durée maximale autorisée est de 24 heures.

Température °F (°C)	Maximum temps alloué sans activité
100 - 200 (30 - 120)	24 heures

Température °F (°C)	Maximum temps alloué sans activité
201 - 550 (121 - 300)	12 heures

7.4 Préchauffage rapide

Pour certains modes de cuisson, vous pouvez réduire la durée du temps de préchauffage en appuyant sur Préchauffage rapide. Le préchauffage rapide est habituellement recommandé pour les plats préparés surgelés, en casserole ou tout autre aliment qui demande des temps de cuisson prolongés. Ce mode de cuisson n'est pas recommandé pour les produits de boulangerie. Lorsque **FAST PREHEAT** est activé dans les réglages de base, il sera activé chaque fois que vous démarrerez un mode de chauffage.

Le préchauffage rapide est disponible pour les modes de chauffage suivants :

- **BAKE**
- **CONV BAKE**
- **ROAST**
- **CONV ROAST**

Réglage du préchauffage rapide

Exigence : Le four est en mode veille.

1. Appuyez sur **SETTINGS**.
2. Appuyez à gauche < ou > pour faire défiler au **FAST PREHEAT**.
3. Appuyez sur la droite < ou >, et sélectionnez ON (Marche).
4. Appuyez sur **ENTER**.
5. Pour désactiver **FAST PREHEAT** sélectionnez OFF (Arrêt).

Remarque : Après une coupure de courant, il peut être nécessaire d'activer **FAST PREHEAT** de nouveau.

7.5 Sonde à viande

La sonde à viande mesure la température interne de l'aliment. Vous pouvez régler une température à cœur et le mode de chauffage s'éteint automatiquement dès que la température réglée est atteinte.

Vous pouvez utiliser la sonde thermique avec les modes de chauffage suivants :

- **BAKE**
- **CONV BAKE**
- **ROAST**
- **CONV ROAST**

IMPORTANT

- La fonction de sonde n'est pas disponible lorsqu'une minuterie de four ou une minuterie de fin a été réglée.
- Ne rangez pas la sonde thermique dans la cavité du four.

Insertion de la sonde à viande

Exigence

- L'aliment doit être complètement dégelé avant d'introduire la sonde dans la viande.
- La sonde est livrée avec un capuchon de plastique noir sur son extrémité. Le capuchon doit être retiré avant l'emploi.

1. Introduire la pointe de la sonde dans la viande au milieu, dans la partie la plus épaisse de la viande ou de la poitrine, dans le cas d'une volaille. S'assurer que la sonde ne touche pas au gras, à l'os ou à des parties du four ou du plat.

Utilisez toujours la sonde par la poignée pour l'insérer et la retirer.

2. Insérez la fiche de la sonde dans la prise située sur le côté de la cavité du four.

Poussez la sonde à fond et tirez-la jusqu'à ce qu'elle s'enclenche dans la douille.

Réglage de la sonde à viande

1. Insérez l'extrémité de la sonde dans la viande et l'extrémité de la fiche dans la sortie de la sonde dans la paroi du four.

→ "Insertion de la sonde à viande", Page 60

2. Fermez la porte du four.
3. Réglez le mode de chauffage et la température souhaités.
4. Appuyez sur la droite < ou > pour sélectionner la température.
 - ✓ La température interne réglée \nearrow et la température actuelle mesurée par la sonde à viande sont affichées côte à côte sur l'écran.
 - ✓ La barre de progression se déplace vers la droite à mesure que la température de cuisson interne augmente.
 - ✓ Lorsque la température interne atteint la valeur définie, le mode de chauffage s'arrête. Un bip indique que le processus de cuisson est terminé.
 - ✓ Le mode chauffage s'éteint automatiquement.
 - ✓ Utilisez toujours des maniques pour retirer la sonde.

7.6 Activer ou désactiver le verrouillage du panneau

Avec le verrouillage du panneau, vous pouvez désactiver toutes les touches tactiles du panneau de commande.

Exigence : Le four est en mode veille.

1. Appuyez et maintenez **PANEL LOCK** pendant 4 secondes.
 - ✓ "panel locked" et \leftrightarrow s'affichent.
 - ✓ Le verrouillage du panneau est activé.
2. Appuyez sur **PANEL LOCK** et maintenez à nouveau pendant 4 secondes pour désactiver le verrouillage du panneau.
 - ✓ \leftrightarrow s'éteint.
 - ✓ L'écran repasse en mode veille.

7.7 Minuterie de cuisine

La minuterie de cuisine est une minuterie à compte à rebours qui n'a aucun effet sur le chauffage du four. Vous pouvez régler une minuterie de cuisine jusqu'à 24 heures.

Vous pouvez utiliser la minuterie de cuisine indépendamment des autres fonctions et que l'appareil soit allumé ou éteint.

Réglage de la minuterie de cuisine

1. Appuyez sur **TIMERS**.

2. Appuyez à gauche < ou > pour faire défiler au **KITCHEN TIMER**.
3. Appuyez sur la droite < ou > pour régler l'heure du four désirée.
4. Appuyez sur **ENTER**.
- ✓ Lorsque la minuterie de cuisine a décompté, un bip retentit.
5. Appuyez sur **ENTER** pour annuler la minuterie ou pour désactiver le bip.

Changer la minuterie de la cuisine

1. Appuyez sur **TIMERS**.
2. Appuyez sur la gauche < ou > pour régler l'heure souhaitée.
3. Appuyez sur **ENTER**.

7.8 Minuterie du four

Si vous réglez une minuterie du four, le four arrête de chauffer automatiquement une fois ce temps écoulé.

Réglage de la minuterie du four

La minuterie du four termine automatiquement un mode de chauffage après une période de temps définie.

1. Réglez un mode de chauffage et une température.
2. Appuyez sur **TIMERS**.
3. Appuyez sur la gauche < ou > et sélectionner \rightarrow "Minuterie du four".
4. Appuyez sur la droite < ou > pour régler l'heure du four.
5. Appuyez sur **ENTER**.
- ✓ La minuterie du four démarre le compte à rebours.
- ✓ Lorsque la minuterie du four a décompté, un bip retentit et le mode de chauffage s'arrête.
6. Appuyez sur **ENTER** pour annuler la minuterie ou pour désactiver le bip.

Changer la minuterie du four

1. Appuyez sur **TIMERS**.
2. Appuyez sur la gauche < ou > pour régler l'heure souhaitée.
3. Appuyez sur **ENTER**.

Définir une heure de fin

Avec cette fonction, vous pouvez programmer votre four pour terminer un mode de chauffage à une heure prédéterminée.

MISE EN GARDE

La nourriture peut se gâter lorsqu'elle est laissée sur place trop longtemps.

- ▶ Pour préserver la sécurité alimentaire, ne pas laisser les aliments dans le four plus d'une heure avant ou après leur cuisson.
1. Tournez le bouton de sélection de mode sur **BAKE**, par exemple.
 2. Appuyez sur **TIMERS**.
 3. Appuyez sur la gauche < ou > et sélectionner \rightarrow "Minuterie du four".
 4. Appuyez sur la droite < ou > pour régler l'heure du four.
 5. Appuyez sur la gauche < ou > et sélectionner \rightarrow "Heure de fin".
 6. Appuyez sur la droite < ou > pour régler l'heure de fin.

7. Appuyez sur **ENTER**.
8. Tournez le bouton de température à 350 °F (176,7 °C), par exemple.
- ✓ Après la confirmation de l'heure de fin, l'avis de temps d'attente s'affiche à l'écran.
- ✓ Après la période d'attente, le four commence à chauffer.

7.9 Mode Sabbat

Le mode Sabbat permet à ceux de confessions particulières d'utiliser leurs fours le jour du sabbat.

À propos du mode Sabbat - utilisation de la cuisinière

AVERTISSEMENT

Lorsque vous utilisez une plaque, faites fonctionner un seul brûleur STAR® au réglage le plus faible. L'utilisation de plusieurs brûleurs STAR® peut entraîner une surchauffe ou des problèmes de combustion ou endommager l'appareil électroménager. NE PAS couvrir les orifices d'évacuation.

- Lorsque le mode Sabbat est activé, les brûleurs STAR® dotés de la fonction ExtraLow® sont désactivés pour assurer le respect des préceptes.
- Les brûleurs au gaz STAR® standards sans ExtraLow® demeurent entièrement fonctionnels.
- Le module induction ou plaque est entièrement fonctionnel en mode Sabbat.
- Les brûleurs au gaz STAR® standards demeurent allumés au cours d'une panne électrique.
- Les brûleurs STAR® sont dotés d'une fonction de ré-allumage. Si la flamme est éteinte, l'allumeur rallumera automatiquement le brûleur STAR®.

À propos du mode Sabbat - utilisation du four

- Le mode Sabbat n'est disponible qu'en mode **BAKE**.
- La plage de température peut être réglée entre 150 °F (66 °C) et 475 °F (246 °C).
- Vous pouvez maintenir au chaud les plats cuisinés pendant une durée minimale de 30 minutes et jusqu'à une durée maximale de 74 heures sans avoir besoin d'allumer ou d'éteindre l'appareil.
- Ne laissez pas trop longtemps des aliments facilement périssables dans le four.
- Lors du Sabbat, au lieu d'utiliser une plaque, les commandes du four devraient être couverts. Soyez attentifs et ne couvrez pas les orifices d'évacuation.
- Les lampes du four sont désactivées en mode Sabbat.
- Il est possible d'ajuster la température de cuisson lors des Fêtes. (Il y aura un délai entre la commande et l'activation).

Réglage du mode Sabbat - Modèles avec affichage

1. Si vous utilisez le mode Sabbat pour la première fois ou si vous avez réinitialisé l'appareil aux réglages d'usine, vous devez activer le mode Sabbat dans les réglages de base :
 - Appuyez sur la gauche < ou > pour faire défiler jusqu'à "Sabbat".
 - Appuyez sur la droite < ou > pour faire défiler jusqu'à "On".
 - Appuyez sur **ENTER**.
2. Tournez le bouton de sélection de mode sur **BAKE**.

3. Tournez le bouton de sélection de la température sur la température désirée.
 4. Appuyez sur **TIMERS**.
 5. Appuyez sur la touche gauche < ou > pour faire défiler jusqu'à la minuterie de Sabbat.
 6. Appuyez sur la touche droite < ou > pour sélectionner la durée par incréments de 30 minutes.
 7. Appuyez sur **ENTER**.
- ✓ Une notification de délai de 5 minutes s'affiche à l'écran. Pendant cette pause, vous pouvez ajuster les paramètres. Après le décompte, le four démarre et toutes les commandes sont désactivées.

Mode de réglage EXTEND BAKE - modèles sans affichage

1. Tournez le bouton de sélection de mode sur **EXTEND BAKE**.
2. Tournez le bouton de sélection de la température sur la température désirée.

Annulation du mode Sabbat

- ▶ Tournez tous les boutons sur **OFF**.

7.10 Paramètres de base - Four

Vous pouvez modifier les réglages de base de votre appareil en fonction de vos besoins.

Présentation des paramètres de base

Cette section contient une vue d'ensemble des réglages de base et d'usine. Les réglages de base dépendent de l'équipement de votre appareil.

Réglage	Options
Heure	Temps donné en heures et en minutes
Langue	<ul style="list-style-type: none"> ■ Anglais ■ Français ■ Espagnol
Format de l'heure	<ul style="list-style-type: none"> ■ 12 hr ■ 24 hr
Affichage de l'heure	<ul style="list-style-type: none"> ■ Numérique ■ Analogue
Préchauffage rapide	<ul style="list-style-type: none"> ■ Marche ■ Arrêt
Son de touche	<ul style="list-style-type: none"> ■ Marche ■ Arrêt
Luminosité de l'écran	1 - 5
Mode de veille	<ul style="list-style-type: none"> ■ Marche ■ Arrêt
Mode sombre	<ul style="list-style-type: none"> ■ Marche ■ Arrêt
Conversion à convection	<ul style="list-style-type: none"> ■ Marche ■ Arrêt
Écart de température	-35° à +35 °F (-20° à +20 °C)
Mode Sabbat	<ul style="list-style-type: none"> ■ Marche ■ Arrêt
Home Connect®	→ "Home Connect®", Page 66
Réglages d'usine	Restauration

Réglage	Options
Accès pour service	Connexion
Service à la clientèle	Affiches les coordonnées du service après-vente

Modification des réglages de base

Exigence : Le four est en mode veille.

1. Appuyez sur **SETTINGS**.
 2. Sélectionnez un paramètre avec la gauche (ou) .
 3. Changez l'option souhaitée avec la droite (ou) .
 4. Appuyez sur **ENTER** pour confirmer la sélection ou **SETTINGS** pour annuler les modifications.
- ✓ L'affichage passe en mode veille.

Décalage de la température du four

Le four est calibré de manière à offrir des résultats précis. La fonction est utile si vous préférez des aliments plus ou moins dorés.

- Lorsqu'une valeur compensée est saisie, la température réelle du four est augmentée ou diminuée de cette valeur.
- Ne pas utiliser les thermomètres de cuisson résidentiels pour mesurer les températures du four, car elles fluctueront au gré de la cuisson.
- Vous pouvez définir un décalage de température par rapport à la ligne de base d'usine. Chaque fois que vous appelez l'option de décalage de température dans le menu des paramètres de base, la température de référence d'usine est restaurée afin que vous puissiez définir une nouvelle valeur de décalage.

Réglage du décalage de température - modèles avec affichage

Exigence : Le four est en mode veille.

1. Appuyez sur **SETTINGS**.
2. Sélectionnez un réglage avec la gauche (ou) pour faire défiler jusqu'au réglage du décalage de température.
3. Appuyez sur la droite (ou) pour définir la valeur de décalage souhaitée.
4. Appuyez sur **ENTER**.

Réglage du décalage de température - modèles sans affichage

Exigence

- Effectuez les étapes suivantes dans les 5 minutes suivant une réinitialisation de l'alimentation.
 - La porte du four est fermée.
 - Tous les boutons de commande sont en position **OFF**.
 - Pour les modèles avec fonction d'auto-nettoyage, le loquet de la porte doit être déverrouillé.
1. Identifiez la position du bouton pour le décalage de température que vous souhaitez appliquer.

Position du bouton	Valeur de décalage de température en °F
225	-50
250	-40
275	-30
300	-20
325	-10
350	0

Position du bouton	Valeur de décalage de température en °F
375	10
400	20
425	30
450	40
475	50

- Réinitialisez l'alimentation au niveau du panneau de disjoncteurs.
L'alimentation doit rester coupée pendant au moins 20 secondes.
- Effectuez les étapes suivantes dans les 5 secondes suivant l'ouverture de la porte.
 - Ouvrez la porte du four.
 - Tournez le bouton de sélection de mode sur **BROIL**.
 - Tournez le bouton de sélection de température sur la valeur de décalage souhaitée.
 - Fermez la porte du four.
 - Ramenez le bouton de sélection de la température sur **OFF**.
- Toutes les DEL du four clignotent 4 fois : le décalage de température a été lancé.
- Tous les voyants DEL du four clignotent 8 fois : vous avez tourné le bouton de sélection de mode sur une position autre que **OFF**, ou plus d'une minute s'est écoulée sans activité. Le mode est quitté sans aucune modification de la valeur de décalage.

Conversion à convection

Les modes de chauffage **CONV BAKE** et **TRUE CONV** nécessitent une réduction de température de 25 F (14 C). La conversion de convection réduit la température que vous entrez automatiquement de cette valeur.

- La conversion de convection doit être activée et désactivée dans le menu des paramètres de base. En cas de panne de courant, la conversion de convection doit être réinitialisée.
→ "Modification des réglages de base", Page 62
- Entrez simplement la température de l'emballage ou de la recette lors du réglage du mode de chauffage. La température correcte est calculée automatiquement et s'affiche à l'écran.
- La conversion de convection est disponible pour les modes de chauffage **CONV BAKE** et **TRUE CONV** seulement.
- Il ne faut pas réduire la température pour les viandes et la volaille. Il faudrait respecter les températures recommandées dans les recettes et les tableaux de cuisson pour les viandes et la volaille.

7.11 Tirer le meilleur parti de l'électroménager

Vous trouverez ici des conseils sur la meilleure façon d'utiliser les modes de chauffage et les accessoires de votre four. Vous pouvez également trouver les réglages recommandés pour divers plats ainsi que les meilleurs accessoires et ustensiles de cuisine.

Téléchargez l'application Home Connect® (Amérique) pour accéder à des conseils et astuces de cuisine, ainsi que pour vous inspirer en cuisine.

Préchauffe du four

- La plupart des temps de cuisson dans les recettes sont conçus pour un four préchauffé et nécessitent que le four soit déjà à une certaine température avant le début de la cuisson. Reportez-vous à votre recette pour les recommandations de préchauffage.
- Le temps de préchauffage dépend du réglage de température et du nombre de grilles dans le four. Retirez les grilles de four inutilisées pour raccourcir le temps de préchauffage.
- Le préchauffage n'est pas nécessaire pour **ROAST** et **CONV ROAST**.

Type d'ustensiles de cuisson

- Des ustensiles de cuisson en métal avec ou sans finition antiadhésive, du verre résistant à la chaleur, de la vitrocéramique, de la poterie ou d'autres ustensiles conviennent au four.
- Les plaques à biscuits appropriées ont une petite lèvre d'un côté. Les feuilles épaisses ou celles avec plus d'un côté peuvent affecter le temps de cuisson.

Positionnement de plats de cuisson

- Laissez au moins 1 po (2,5 cm) d'espace entre les casseroles et les parois du four pour que la chaleur puisse circuler autour de chaque poêle.
- Décalez tous les ustensiles de cuisson, à l'exception des plaques à biscuits, de manière à ce qu'aucun ne soit directement au-dessus de l'autre. Laisser 1 ½ po (4 cm) au-dessus et au-dessous de chaque casserole.

Cuisson à haute altitude

À haute altitude, les recettes et les temps de cuisson peuvent varier. Pour des informations précises, consultez www.csuextstore.com ou écrivez au service d'extension, Colorado State University, Fort Collins, Colorado 80521. Des frais peuvent être exigés pour l'achat de ces guides de cuisson. Préciser le nom du guide de préparation culinaire à haute altitude que vous désirez : renseignements généraux, gâteaux, biscuits, pains, etc.

Condensation

Il est normal de voir une certaine quantité de vapeur d'eau s'échapper des aliments lors de la cuisson. La quantité dépend de la teneur en humidité de l'aliment. L'humidité se condensera sur toute surface plus froide que l'intérieur du four, comme le panneau de commande.

Conseils d'utilisation du mode BROIL

Niveau	Recommandé pour
5	<ul style="list-style-type: none"> Steaks de bœuf, galettes de viande hachée, steak de jambon et côtelettes d'agneau de 1 po (2,5 cm) ou moins d'épaisseur Meilleurs aliments qui brunissent
4	<ul style="list-style-type: none"> Viande de 1 ½ po (3 cm) ou plus d'épaisseur Poisson, volaille, côtelettes de porc et steaks de jambon de 1 po (2,5 cm) ou plus d'épaisseur
3	<ul style="list-style-type: none"> Quartiers ou moitiés de poulet

Conseils d'utilisation des modes de convection

- Pour convertir la plupart des recettes de produits cuits au four, comme les biscuits, les gâteaux, les tartes, etc., réduisez la température du four de 25 °F (14 °C) ou activez la convection par convection.
- Ne réduisez pas la température des viandes et volailles. Utilisez la même température recommandée dans les recettes et les tableaux de cuisson pour les viandes et la volaille.
- Utilisez des ustensiles de cuisson bas et peu profonds avec cuisson par convection. Cela permet à l'air chauffé de circuler autour des aliments.
- Lors de la cuisson sur plus d'une grille, ne pas décaler les plaques à biscuits; les moules à gâteaux ronds doivent être décalés.
- Pour les petits articles tels que les biscuits, vérifiez 1 - 2 minutes avant l'heure de la recette.
- Pour les produits de boulangerie plus volumineux tels que les gâteaux, vérifiez 5 à 6 minutes avant l'heure indiquée sur la recette.
- Les gros morceaux de viande ou de volaille peuvent cuire jusqu'à 30 minutes de moins que le temps suggéré. Vérifiez-les pour qu'ils ne soient pas trop cuits.
- **TRUE CONV** est le meilleur lors de la cuisson de plusieurs grilles de biscuits, pâtisseries et autres produits de boulangerie individuellement.

Conseils d'utilisation du mode ROAST

- Utilisez une lèchefrite à bords hauts pour minimiser les éclaboussures de graisse. Si vous n'avez pas cette casserole, nous vous recommandons de couvrir votre plat avec un couvercle ou du papier d'aluminium.
- Pour les coupes de viandes moins tendres, ajoutez des liquides comme de l'eau, du jus, du vin, du bouillon ou un fond pour parfumer et humidifier la viande.
- Vous pouvez utiliser des sacs à rôtir pour le mode de rôtissage standard. Lorsque vous faites rôtir un poulet ou une dinde entiers, placez les ailes derrière le dos et attachez lâchement les pattes avec de la ficelle de cuisine.

Conseils d'utilisation du mode CONV ROAST

- Le temps de torréfaction peut diminuer ; vérifiez votre plat un peu plus tôt que la recette ne l'indique.
- Si votre four est livré avec une lèchefrite et un plateau, utilisez-les pour rôtir. Une casserole peu profonde non couverte peut également être utilisée.
- Pour le rôtissage par convection, ne couvrez pas les plats de viande et n'utilisez pas de sacs de rôtissage.

8 Fonctionnement de la table de cuisson

Vous trouverez ici tout ce que vous devez savoir sur le fonctionnement de votre table de cuisson.

8.1 Allumer un brûleur

MISE EN GARDE

NE TOUCHEZ PAS les brûleurs lorsque les allumeurs sont actifs.

AVERTISSEMENT

Le gaz qui s'échappe peut s'enflammer.

- ▶ Si le brûleur refuse de s'allumer après 15 secondes, ramener le bouton de commande en position d'arrêt et ouvrir la porte ou la fenêtre de la pièce. Attendez au moins 1 minute avant d'essayer de rallumer le brûleur.
1. Appuyez sur le bouton et tournez-le dans le sens antihoraire sur f .
 2. Tournez le bouton sur n'importe quel réglage de flamme entre **HI** et **LO**.

Remarque : Il y a un léger bruit associé à la combustion et à l'allumage du gaz. C'est une condition normale.

Éteindre un brûleur

- ▶ Tournez le bouton de commande dans le sens des aiguilles d'une montre à OFF.

8.2 Rallumage automatique

Chaque brûleur a son propre allumeur électronique qui produit des étincelles lorsque le brûleur est allumé. Chaque brûleur doit s'allumer en quatre secondes ou moins.

- Si un brûleur ne s'allume pas, vérifiez que le capuchon est correctement positionné sur la base.
- Si un ou plusieurs brûleurs sautent, l'allumeur électronique s'active automatiquement pour rallumer la flamme. Ne touchez pas les brûleurs lorsque les allumeurs sont actifs.
- Pour la vérification de la hauteur de la flamme et les instructions de réglage, reportez-vous à manuel d'installation fournie avec l'appareil.

8.3 En cas de panne de courant

AVERTISSEMENT

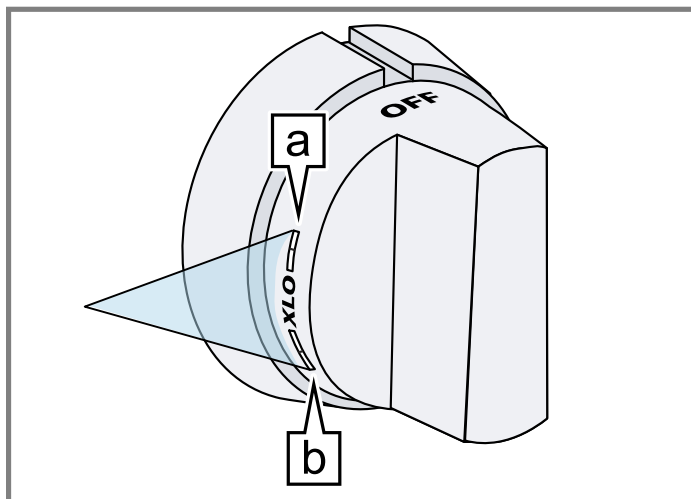
En cas de panne de courant, tournez tous les boutons en position OFF (ARRÊT). Seuls les brûleurs non équipés de la fonction ExtraLow® peuvent être allumés manuellement.

- ▶ Reportez-vous aux instructions EN CAS DE PANNE ÉLECTRIQUE répertoriées dans les INSTRUCTIONS DE SÉCURITÉ IMPORTANTES. → Page 44

8.4 Fonctionnalité ExtraLow®

La fonction **XLO** allume et éteint la flamme du brûleur par incréments variés pour maintenir une température très basse. La révolution de 60 secondes (aussi peu que 10 secondes allumées et 50 secondes éteintes) vous permet de garder vos aliments au chaud en remuant moins qu'un brûleur conventionnel sur un mijotage. Pour faire varier la quantité de feu **XLO** en fonction de l'aliment et de la quantité, vous pouvez régler le bouton de commande n'importe où dans la plage **XLO** indiquée sur le bouton.

Lorsqu'il mijote, les brûleurs **XLO STAR®** auront une flamme légèrement plus élevée que le mijotage sur les brûleurs standard **STAR®**. Cette opération est normale.



Position du bouton	Niveau ExtraLow®
a	Réglage le plus bas ExtraLow® La flamme s'allume pendant environ 10 secondes et s'éteint pendant 50 secondes de chaque minute.
b	Réglage le plus élevé ExtraLow® La flamme s'allume pendant environ 50 secondes et s'éteint pendant 10 secondes de chaque minute.

8.5 Fonctionnalité PowerBoost®

Avec cette fonction, vous pouvez rapidement faire bouillir de l'eau, saisir des steaks ou faire sauter des légumes. Pour utiliser PowerBoost® tournez le bouton de commande sur **XHI**. Pour éteindre PowerBoost® tournez le bouton de commande à un niveau de puissance différent.

8.6 Paramètres de cuisson recommandés

Aliment	Démarrer le réglage	Terminez le réglage du brûleur standard	Terminez le réglage du brûleur ExtraLow®
Chocolat fondant	XLO: Peut être remué pour accélérer la fonte		XLO: Laisser 10 à 15 minutes pour fondre
Sauce tomate mijotée	MED HI: Cuire la viande/les légumes, suivre la recette	LO: Pour maintenir à mijoter	XLO: Laisser mijoter pour épaissir la sauce, à découvert

9 Plaque électrique

9.1 Fonctionnement de la plaque électrique

AVIS :

Ne faites PAS chauffer d'ustensiles de cuisson sur la plaque à griller.

Veillez à ne pas rayer ou creuser la surface.

- ▶ NE PAS couper les aliments directement sur la plaque chauffante.
- ▶ NE PAS utiliser d'ustensiles en métal.
- ▶ Utilisez des ustensiles en plastique ou en bois.

1. Appuyez et tournez le bouton de la plaque chauffante dans le sens des aiguilles d'une montre jusqu'à la température désirée.
2. Préchauffez la plaque chauffante.
3. Ajouter du beurre, de la margarine, de l'huile ou du shortening si désiré.
4. Nettoyez le bac à graisse après chaque utilisation.

9.2 Assaisonner la plaque de cuisson

L'assaisonnement est un processus par lequel une couche de graisse animale ou d'huile végétale est appliquée et cuite dans la batterie de cuisine. Si la plaque chauffante

semble perdre ses capacités antiadhésives avec le temps, l'assaisonnement peut aider à retrouver les propriétés antiadhésives de la plaque chauffante.

Remarque : La plaque chauffante de 24 po est trop large pour tenir dans la cavité du four. Suivez les instructions de cette section si votre appareil est équipé d'une plaque chauffante de 12 po.

1. La plaque chauffante doit être propre et tous les résidus enlevés avant que la plaque chauffante ne soit assaisonnée.
 - Avant d'assaisonner ou de réassaisonner votre plaque de cuisson, éliminez tout résidu avec un mélange de gros sel et d'une petite quantité de vinaigre blanc.
 - Bien rincer à l'eau claire.
 - Séchez soigneusement la plaque chauffante.
2. Utilisez une serviette en papier pour appliquer une fine couche uniforme de saindoux, de matière grasse ou d'huile d'olive sur la surface de la plaque chauffante.
3. Cuire la plaque chauffante au four à 350 °F (175 °C) pendant 1 heure.
4. Sortir la plaque chauffante du four et laisser refroidir à température ambiante.
5. Appliquez une autre couche, faites cuire et laissez refroidir au moins 2 fois de plus.

10 Home Connect®

Cet appareil peut être mis en réseau. Connectez votre appareil à un appareil mobile pour utiliser ses fonctions via l'appli Home Connect®, modifier ses réglages de base ou surveiller son état de fonctionnement.

Les Home Connect® ne sont pas proposés dans tous les pays. La disponibilité de la fonction Home Connect® de l'offre des services Home Connect® dans votre pays.

Vous trouverez de plus amples informations à ce sujet à l'adresse : www.home-connect.com.

L'application Home Connect® vous guide tout au long du processus de connexion. Suivez les étapes prescrites par l'application Home Connect® pour procéder aux réglages.

Conseils

- Pour ce faire, observez les documents Home Connect® fournis.
- Observez également les consignes dans l'application Home Connect®.

Remarques

- Observez les consignes de sécurité de la présente notice d'utilisation et assurez-vous qu'elles sont également respectées si vous utilisez l'appareil via l'application Home Connect®.
- Les tables de cuisson ne sont pas destinées à être utilisées sans surveillance. Le processus de cuisson doit être surveillé.
- Les commandes sur l'appareil même ont toujours priorité. Pendant ce temps, la commande via l'application Home Connect® n'est pas possible.
- En veille avec maintien de la connexion au réseau, l'appareil consomme au plus 2 W.

10.1 Configurer Home Connect®

Exigence

- L'appareil est déjà connecté au réseau électrique et est allumé.
- Vous disposez d'un terminal mobile doté de la version actuelle du système d'exploitation iOS ou Android, par ex. un smartphone.
- Le terminal mobile et l'appareil se trouvent à portée du signal WLAN de votre réseau domestique.

Présentation des paramètres du four Home Connect®

Les réglages Home Connect® suivants sont disponibles dans le menu des réglages de base du four.

Réglage de base	Options	Description et informations complémentaires
Wi-Fi	<ul style="list-style-type: none"> ■ Marche ■ Arrêt 	Si le Wi-Fi est activé, vous pouvez utiliser le Home Connect®. En mode veille en réseau, le four nécessite un maximum de 2 W.
Réseau	<ul style="list-style-type: none"> ■ Connexion au réseau ■ Déconnexion du réseau 	Si vous déconnectez le four du réseau, toutes les informations du réseau seront supprimées. Ce paramètre est utile si vous avez de nouvelles informations de connexion pour le routeur.
Connexion à l'application	-	Ce paramètre initie la connexion entre l'application Home Connect® et le four.
Télécommande	<ul style="list-style-type: none"> ■ Marche ■ Arrêt 	Lorsque cette fonction est désactivée, vous ne pouvez voir l'état de fonctionnement du four que dans l'application. Lorsque cette fonction est activée, vous pouvez démarrer et contrôler le four à distance.

1. Télécharger l'appli Home Connect®.



2. Ouvrir l'appli Home Connect® et scanner le code QR suivant.



3. Suivre les instructions de l'appli Home Connect®.

10.2 Home Connect® Réglages

Ajustez Home Connect® à vos besoins personnels. Vous trouverez les réglages Home Connect® dans les réglages de base de votre appareil. Les réglages qui s'affichent dépendent de la configuration de Home Connect® et de la connexion de l'appareil au réseau domestique.

Réglage de base	Options	Description et informations complémentaires
Informations sur le four	-	L'écran affiche des informations sur le réseau ou le four.

10.3 Modification des paramètres via l'application Home Connect®

Vous pouvez utiliser l'application Home Connect® pour modifier les paramètres de l'appareil et les envoyer à l'appareil.

Prérequis pour utiliser le Home Connect® :

- L'appareil est connecté au réseau domestique et à l'application Home Connect®.
- Pour configurer l'appareil via l'application, Home Connect® doit être activé dans les réglages de base.
Activez Home Connect ON (Marche) dans les réglages de base du four.

Modification des réglages du four

- ▶ Sélectionnez le réglage dans l'application Home Connect® et envoyez-le au four. Respectez les directives de l'application Home Connect®.

10.4 Démarrage à distance

Vous devez activer le démarrage à distance pour lancer une commande de four avec l'appareil mobile.

AVERTISSEMENT

FONCTIONNEMENT À DISTANCE On peut configurer cet appareil électroménager pour le télécommander à tout moment.

- ▶ Ne pas ranger de matières inflammables ou d'articles sensibles à la chaleur à l'intérieur, sur le dessus ou près de la surface de l'appareil.


Remarques

- Pour certains modèles, un démarrage à distance permanent peut être activé via l'application Home Connect™. Cette fonction permet un démarrage à distance des modes de fonctionnement disponibles sans désactiver automatiquement le démarrage à distance.
- Le démarrage à distance peut uniquement être activé après la réussite de la configuration de Home Connect™.
- Certains modes de fonctionnement se lancent uniquement sur le four.

Réglage du démarrage à distance

1. Tournez le bouton de sélection de mode sur **REMOTE START**.

Ne tournez le bouton de sélection de température sur aucun réglage. Laissez-le dans la position **OFF**.

- ✓ L'affichage passe à l'écran de veille.
 - ✓  s'affiche à l'écran.
2. Poursuivez avec l'appli Home Connect® installé sur l'appareil mobile.

10.5 Réglage du contrôle à distance

Vous pouvez utiliser l'appli Home Connect® pour accéder facilement aux fonctions du four.

Remarques

- Les commandes données directement depuis le four ont toujours préséance sur les autres. Au cours de cette période, il est impossible de faire fonctionner le four avec l'appli Home Connect®.
- La télécommande est déjà active à la connexion du four.
- Si elle a été désactivée, seul l'état du fonctionnement du four apparaîtra à l'appli Home Connect®.
- Le contrôle à distance est automatiquement activée lorsque le démarrage à distance est activé.

Exigence : Le four est en mode veille.

1. Appuyez sur **SETTINGS**.
 2. Appuyez à gauche < ou > pour faire défiler au "Remote control".
 3. Appuyez sur la droite < ou > pour faire défiler jusqu'à "On" ou "Off".
 4. Appuyez sur **ENTER**.
- ✓ L'affichage passe en mode veille.

10.6 Diagnostic à distance

Le service à la clientèle peut accéder à votre appareil via le diagnostic à distance si vous en faites la demande spécifique, si votre appareil est connecté au serveur Home Connect® et si le diagnostic à distance est disponible dans le pays où vous utilisez l'appareil.

Conseil : Pour plus d'informations et pour connaître la disponibilité du service de diagnostic à distance dans votre pays, veuillez consulter la section Service/Support du site Web local : www.home-connect.com.

10.7 Mise à jour logicielle

La fonction de mise à jour du logiciel permet d'actualiser le logiciel de votre appareil, par ex. pour l'optimiser, corriger des erreurs, effectuer des mises à jour liées à la sécurité ou proposer des fonctions et des services supplémentaires.

Pour cela, vous devez être enregistré comme utilisateur Home Connect®, l'application doit être installée sur votre appareil mobile et vous devez être connecté au serveur Home Connect®.

Dès qu'une mise à jour de logiciel est disponible, vous en êtes informé par l'application Home Connect® et vous pouvez la lancer via l'application. Après un téléchargement réussi, vous pouvez démarrer l'installation via l'application Home Connect® si vous vous trouvez dans votre réseau domestique WLAN (WiFi). L'application Home Connect® vous informe de l'installation réussie.

Remarques

- La mise à jour du logiciel comprend deux étapes.
 - La première étape est celle du téléchargement.
 - La deuxième étape concerne l'installation sur votre appareil.

- Pendant le téléchargement, vous pouvez continuer à utiliser votre appareil. En fonction des réglages personnels dans l'application, les mises à jour logicielles peuvent également être téléchargées automatiquement.
- L'installation dure quelques minutes. Pendant l'installation, vous ne pouvez pas utiliser votre appareil.
- En cas de mise à jour de sécurité, il est recommandé d'effectuer l'installation le plus rapidement possible.

10.8 Protection des données

Observez les consignes de protection des données. Lors de la première connexion de votre appareil à un réseau domestique branché à Internet, votre appareil transmet les catégories de données suivantes au serveur Home Connect® (premier enregistrement) :

- Code d'appareil univoque (constitué de clés d'appareil ainsi que de l'adresse MAC du module de communication Wi-Fi intégré).
- Certificat de sécurité du module de communication Wi-Fi (pour la protection des informations de la connexion).
- La version actuelle du logiciel et du matériel de l'électroménager.
- État d'une précédente restauration éventuelle des réglages d'usine.

Ce premier enregistrement prépare l'utilisation des fonctions Home Connect® et ne s'avère nécessaire qu'au moment où vous voulez utiliser les fonctions Home Connect® pour la première fois.

Remarque : Veuillez noter que les fonctions Home Connect® ne sont utilisables qu'avec l'application Home Connect®. Vous pouvez consulter les informations sur la protection des données dans l'application Home Connect®.

11 Nettoyage et entretien

Pour que votre appareil reste longtemps opérationnel, nettoyez-le et entretenez-le avec soin.

Pour plus de recommandations de nettoyage et de conseils pour tirer le meilleur parti de votre appareil, consultez le site Web :

- États-Unis : www.thermador.com/us/support/customer-care
- Canada : <https://www.thermador.ca/fr/soutien/assistance-a-la-clientele>

AVERTISSEMENT

Ne pas nettoyer l'appareil pendant qu'il est encore chaud. Certains nettoyants produisent des émanations toxiques lorsqu'ils sont appliqués sur une surface chaude. Les vêtements et les éponges mouillés peuvent provoquer des brûlures causées par la vapeur.

- Pour les clients aux États-Unis : Vous pouvez acheter des nettoyants appropriés et un grattoir à vitre pour l'élément d'induction auprès du service à la clientèle ou dans notre boutique en ligne www.thermador.com/us/accessories.
- Pour les clients au Canada :

Visitez cette page Web pour savoir comment acheter des nettoyants pour votre appareil, <https://www.thermador.ca/fr/soutien/filtres-nettoyants-accessoires>.

Conseil : Les produits de nettoyage Thermador ont été testés et approuvés pour être utilisés sur les appareils Thermador. La recommandation d'autres produits de nettoyage ne signifie pas que nous cautionnons une marque en particulier.

11.1 Conseils généraux de nettoyage

Utilisez uniquement des produits de nettoyage appropriés pour éviter d'endommager les surfaces de l'appareil.

Nettoyants appropriés

- Utilisez la procédure de nettoyage la plus douce qui fera le travail de manière efficace et efficiente. Certains nettoyants du même type sont plus durs que d'autres. Essayez d'abord sur une petite zone peu visible.
- Frottez toujours les finitions métalliques dans le sens des lignes de polissage pour une efficacité maximale et pour éviter de tacher la surface.
- Utilisez uniquement des chiffons doux et propres, des éponges, des serviettes en papier, des brosses fibreuses, des tampons en plastique, non métalliques ou en laine d'acier pour le nettoyage et le récurage, comme recommandé sur le tableau.
- La plupart des pièces extérieures de cet appareil peuvent être nettoyées avec de l'eau chaude savonneuse (à l'exception des divers éléments spécifiquement identifiés autrement). Lorsqu'un rinçage est nécessaire, rincez abondamment.
- Essuyez toujours immédiatement pour éviter les traces d'eau.

Éviter ces produits de nettoyage

- Ne pas utiliser les produits de nettoyage commerciaux tels que Easy Off®¹. Ils risquent d'abîmer le fini ou les pièces du four.
- NE PAS UTILISER DE NETTOYANTS À BASE DE CHLORE.

¹ Ces marques sont des marques déposées de leurs propriétaires respectifs. Toutes les autres marques sont des marques de BSH Home Appliances Corporation ou ses sociétés affiliées.

11.2 Recommandations en matière de nettoyage

Nettoyez uniquement les pièces de votre cuisinière qui sont répertoriées dans ce tableau de nettoyage.

AVERTISSEMENT

Assurez-vous que tout l'appareil (y compris l'ampoule) a refroidi et que la graisse s'est solidifiée avant d'essayer de nettoyer une partie de l'appareil.

Ne nettoyez pas la table de cuisson lorsqu'elle est en marche.

MISE EN GARDE

Tous les allumeurs produisent une étincelle lorsqu'on allume un brûleur quelconque.

- ▶ Ne touchez pas les brûleurs lorsque la table de cuisson est en cours d'utilisation.

AVERTISSEMENT

Pour éviter tout risque d'électrocution, N'UTILISEZ PAS de nettoyeur haute pression ou de nettoyeur à vapeur pour nettoyer l'appareil. L'humidité qui pénètre peut occasionner une électrocution.

Pièce / matériau	Instructions de nettoyage	Recommandations
Cadres et boutons de commande/chrome, métal	<ul style="list-style-type: none"> ▪ Essuyez avec de l'eau chaude savonneuse. ▪ Rincer et sécher immédiatement. 	<p>Nettoyants recommandés :</p> <ul style="list-style-type: none"> ▪ Savon à vaisselle et eau chaude <p>Notes importantes :</p> <ul style="list-style-type: none"> ▪ NE PAS tremper les boutons. ▪ NE PAS forcer les boutons sur le mauvais axe de vanne.
Socle de brûleur / laiton Chapeau de brûleur / fonte	<ul style="list-style-type: none"> ▪ Essuyez avec le nettoyant recommandé. ▪ Une brosse à dents à poils de nylon rigides peut être utilisée pour nettoyer les ouvertures des orifices. ▪ Rincer et sécher immédiatement. ▪ Séchez complètement les brûleurs. S'il y a des gouttelettes d'eau ou des zones humides sur la surface de cuisson lorsque vous commencez à cuisiner, l'émail peut être endommagé. ▪ Assurez-vous que les chapeaux des brûleurs sont bien en place sur les bases des brûleurs après le nettoyage. 	<p>Nettoyants recommandés :</p> <ul style="list-style-type: none"> ▪ Nettoyant non abrasif : savon à vaisselle et eau chaude ▪ Nettoyants abrasifs doux : <ul style="list-style-type: none"> – Bon Ami®¹ – Barkeepers Friend®¹ – Wright's® Poli tout usage pour laiton¹ <p>Notes importantes :</p> <ul style="list-style-type: none"> ▪ NE PAS rayer ou creuser les ouvertures des orifices du chapeau du brûleur. ▪ Ne nettoyez pas les pièces du brûleur au lave-vaisselle. Ils risquent d'être endommagés.

¹ Ces marques sont des marques déposées de leurs propriétaires respectifs. Toutes les autres marques sont des marques de BSH Home Appliances Corporation ou ses sociétés affiliées.

Pièce / matériau	Instructions de nettoyage	Recommandations
Grilles de brûleur / porcelaine émaillée sur fonte	<ul style="list-style-type: none"> ■ Attendre que l'appareil se soit refroidi. ■ Soulevez avec précaution les grilles du brûleur et placez-les sur une surface protégée. ■ Frottez avec une brosse non métallique et de l'eau savonneuse. Nettoyez soigneusement autour des pattes en caoutchouc. Si les pieds en caoutchouc se détachent, les grilles peuvent rayer la surface de la cuisinière. ■ Séchez complètement les grilles des brûleurs. S'il y a des gouttelettes d'eau ou des taches humides sur la table de cuisson lorsque vous commencez la cuisson, l'émail peut être endommagé. ■ Placez les grilles du brûleur dans leur position appropriée. 	<p>Nettoyants recommandés :</p> <ul style="list-style-type: none"> ■ Nettoyants non abrasifs : <ul style="list-style-type: none"> – Savon à vaisselle et eau chaude. – Fantastik®¹ ■ Nettoyants abrasifs doux : <ul style="list-style-type: none"> – Bon Ami®¹ – Soft Scrub®¹ ■ Pour les taches tenaces : <ul style="list-style-type: none"> – Tampon en laine d'acier rempli de savon. – Autre dégraissant ■ Pour les dépôts de métal provenant de casseroles en aluminium ou en cuivre : <ul style="list-style-type: none"> – Scotch Brite™¹ – Tampon en laine d'acier <p>Notes importantes :</p> <ul style="list-style-type: none"> ■ Les grilles sont lourdes; soyez prudent lorsque vous les soulevez. ■ Les éclaboussures d'aliments acides et très sucrés détériorent l'émail. Les éclaboussures d'aliments acides et très sucrés détériorent l'émail. Retirez la saleté immédiatement après que l'appareil a suffisamment refroidi pour être touché. ■ Les cloques, les craquelures ou les éclats sont courants en raison des températures extrêmes sur les doigts de la grille et des changements rapides de température. Les cloques, les craquelures ou les éclats sont courants en raison des températures extrêmes sur les doigts de la grille et des changements rapides de température. ■ Si vous utilisez des nettoyants abrasifs trop vigoureusement ou trop souvent, ils peuvent éventuellement endommager l'émail. ■ NE PAS nettoyer dans un four auto-nettoyant.
Joint d'étanchéité de porte	<ul style="list-style-type: none"> ■ Aucun 	<ul style="list-style-type: none"> ■ NE PAS NETTOYER LE JOINT DE PORTE. ■ Le joint de la porte est essentiel pour maintenir une bonne étanchéité. Veillez à ne pas frotter, endommager ou déplacer le joint.
Portes/vitre	<ul style="list-style-type: none"> ■ Laver avec de l'eau et du savon ou avec un nettoyant pour vitres. ■ Utilisez Fantastik®¹ sur une éponge ou une serviette en papier propre et essuyez. 	<p>Nettoyants recommandés :</p> <ul style="list-style-type: none"> ■ Savon à vaisselle et eau chaude ■ Fantastik®¹ <p>Notes importantes :</p> <ul style="list-style-type: none"> ■ Gardez les nettoyants et l'eau à l'écart des événements de la porte. Si de l'eau ou des nettoyants se renversent dans les événements, l'eau risque de rayer le verre à l'intérieur.

¹ Ces marques sont des marques déposées de leurs propriétaires respectifs. Toutes les autres marques sont des marques de BSH Home Appliances Corporation ou ses sociétés affiliées.

Pièce / matériau	Instructions de nettoyage	Recommandations
Fini extérieur / Acier inoxydable	<ul style="list-style-type: none"> ■ Nettoyez avec de l'eau savonneuse et un chiffon doux, puis rincez et séchez avec un chiffon doux. ■ Conditionner l'acier avec le conditionneur pour acier inoxydable Thermador (pièce n° 00576697). ■ Retirer les traces d'eau avec un chiffon humecté de vinaigre blanc. ■ Éliminez la décoloration due à la chaleur avec Bar Keeper's Friend®¹. 	<p>Nettoyants recommandés :</p> <ul style="list-style-type: none"> ■ Nettoyant non abrasif : <ul style="list-style-type: none"> – Savon à vaisselle et eau chaude – Fantastik®¹ – Vinaigre ménager pour les taches d'eau dure ■ Nettoyants abrasifs doux : <ul style="list-style-type: none"> – Bon Ami®¹ – Barkeepers Friend®¹ – Wright's® Poli tout usage pour laiton¹ ■ Nettoyants pour inox : <ul style="list-style-type: none"> – Siege®¹ Nettoyant pour acier inoxydable et aluminium – Acier inoxydable Magic®¹ – Thermador Conditionneur en acier inoxydable (pièce n° 00576697) <p>Notes importantes :</p> <ul style="list-style-type: none"> ■ Ne laissez jamais de taches alimentaires ou du sel sur de l'acier inoxydable, peu importe la durée de temps. ■ Essuyez ou frottez toujours dans la direction du grain. ■ Le chlore ou les composés chlorés de certains nettoyants sont corrosif pour l'acier inoxydable. Vérifiez les ingrédients sur l'étiquette du nettoyant.
Surface de la cuisinière à gaz / porcelaine émaillée	<ul style="list-style-type: none"> ■ Essuyez avec le nettoyant recommandé. ■ Rincer et sécher immédiatement. ■ Assurez-vous que les capuchons des brûleurs sont bien en place sur la base des brûleurs après le nettoyage. 	<p>Nettoyants recommandés :</p> <ul style="list-style-type: none"> ■ Nettoyant non abrasif : savon à vaisselle et eau chaude ■ Nettoyants abrasifs doux : <ul style="list-style-type: none"> – Bon Ami®¹ – Barkeepers Friend®¹ – Soft Scrub®¹ ■ Pour les aliments brûlés : <ul style="list-style-type: none"> – Tampon en laine d'acier ou en fibre savonneuse <p>Notes importantes :</p> <ul style="list-style-type: none"> ■ Les éclaboussures d'aliments acides et très sucrés détériorent l'émail. Les éclaboussures d'aliments acides et très sucrés détériorent l'émail. Retirez la saleté immédiatement après que l'appareil a suffisamment refroidi pour être touché. ■ N'utilisez pas d'éponge ou de serviette mouillée sur de la porcelaine chaude. ■ Utilisez toujours une pression minimale avec des produits nettoyants abrasifs.
Plaque de cuisson / aluminium avec revêtement antiadhésif	<ul style="list-style-type: none"> ■ Laissez la plaque refroidir. ■ Essuyez avec de l'eau chaude savonneuse. ■ Rincez à l'eau tiède et séchez avec un chiffon doux. 	<p>Nettoyants recommandés :</p> <ul style="list-style-type: none"> ■ Nettoyants non abrasifs : savon à vaisselle et eau chaude <p>Notes importantes :</p> <ul style="list-style-type: none"> ■ NE JAMAIS inonder une plaque chauffante chaude avec de l'eau froide. Cela peut endommager la plaque chauffante. ■ NE nettoyez PAS la plaque chauffante dans un four auto-nettoyant. ■ La plaque de cuisson passe au lave-vaisselle, cependant, il est recommandé de laver la plaque à la main.
Bac à graisse pour plaque chauffante	<ul style="list-style-type: none"> ■ Retirez le bac à graisse une fois la graisse refroidie. ■ Jeter la graisse dans un récipient résistant à la graisse pour l'élimination. ■ Rincer et sécher immédiatement. 	<p>Nettoyants recommandés :</p> <ul style="list-style-type: none"> ■ Nettoyants non abrasifs : savon à vaisselle et eau chaude ■ Produits nettoyants légèrement abrasifs : Soft Scrub®¹ ■ Le bac à graisse va au lave-vaisselle. <p>Notes importantes :</p> <ul style="list-style-type: none"> ■ Nettoyez le bac à graisse après chaque utilisation. ■ Ne laissez pas le bac à graisse se remplir jusqu'à ce que le basculement renverse la graisse.

¹ Ces marques sont des marques déposées de leurs propriétaires respectifs. Toutes les autres marques sont des marques de BSH Home Appliances Corporation ou ses sociétés affiliées.

Pièce / matériau	Instructions de nettoyage	Recommandations
Allumeurs / céramique	Nettoyer avec un coton-tige imbibé d'eau savonneuse.	<p>Nettoyants recommandés :</p> <ul style="list-style-type: none"> ■ Savon à vaisselle et eau chaude ■ Fantastik®¹ <p>Notes importantes :</p> <ul style="list-style-type: none"> ■ N'utilisez PAS d'outils tranchants pour gratter les allumeurs. Les allumeurs sont fragiles. Si un allumeur est endommagé, il se peut qu'il n'allume pas le brûleur.
Module d'induction	Faire référence à manuel du module d'induction	
Cavité du four / porcelaine sur acier	<ul style="list-style-type: none"> ■ Une fois refroidi, appliquez l'agent de nettoyage recommandé sur une éponge ou un chiffon humide. ■ Frottez légèrement, rincez et séchez. ■ Pour les taches tenaces, trempez la tache avec un chiffon imbibé d'un nettoyant recommandé. Fermez la porte et laissez-la tremper jusqu'à ce que la tache puisse être facilement enlevée avec un chiffon savonneux humide ou un abrasif doux. ■ Si disponible, utilisez la fonction d'auto-nettoyage pour les taches tenaces. 	<p>Nettoyants recommandés :</p> <ul style="list-style-type: none"> ■ Nettoyant non abrasif : <ul style="list-style-type: none"> – Savon à vaisselle et eau chaude – Vinaigre et eau ■ Nettoyants abrasifs doux : <ul style="list-style-type: none"> – Bon Ami®¹ – Barkeepers Friend®¹ – Soft Scrub®¹ <p>Notes importantes :</p> <ul style="list-style-type: none"> ■ Les éclaboussures d'aliments acides et très sucrés détériorent l'émail. Les éclaboussures d'aliments acides et très sucrés détériorent l'émail. Retirez la saleté immédiatement après que l'appareil a suffisamment refroidi pour être touché. ■ N'utilisez pas d'éponge ou de serviette mouillée sur de la porcelaine chaude. ■ Il est normal que la porcelaine présente de fines ridules avec l'âge en raison de l'exposition à la chaleur et au sol alimentaire. Cela est normal et n'a aucune incidence sur le fonctionnement. ■ Utilisez toujours une pression minimale avec des produits nettoyants abrasifs.
Grilles de four et guides de grille	<ul style="list-style-type: none"> ■ Laver à l'eau savonneuse. ■ Rincer et sécher immédiatement. 	<p>Nettoyants recommandés :</p> <ul style="list-style-type: none"> ■ Nettoyant non abrasif : <ul style="list-style-type: none"> – Savon à vaisselle et eau chaude – Vinaigre et eau ■ Nettoyants abrasifs doux : <ul style="list-style-type: none"> – Bon Ami®¹ – Barkeepers Friend®¹ – Soft Scrub®¹ – Tampon en laine d'acier ou en fibre savonneuse <p>Notes importantes :</p> <ul style="list-style-type: none"> ■ NE PAS NETTOYER À L'AIDE DE LA FONCTION D'AUTO-NETTOYAGE. Grilles plates : Si les grilles plates restent dans le four pendant le mode d'auto-nettoyage, elles perdront leur fini brillant et pourraient ne pas glisser facilement. Si cela se produit, frotter les bords de la grille avec un peu d'huile végétale. Essuyez ensuite l'excès d'huile. ■ Grilles télescopiques : évitez de mettre de la poudre nettoyante dans les glissières télescopiques. Il peut s'avérer nécessaire de lubrifier de nouveau les glissières. Utilisez uniquement des lubrifiants pour haute température de qualité alimentaire pour les lubrifier.
Sonde thermométrique	■ Essuyez à l'eau savonneuse.	<ul style="list-style-type: none"> ■ Ne plongez pas dans l'eau. ■ Ne lavez pas au lave-vaisselle.

¹ Ces marques sont des marques déposées de leurs propriétaires respectifs. Toutes les autres marques sont des marques de BSH Home Appliances Corporation ou ses sociétés affiliées.

11.3 Fonction autonettoyante

Avec l'autonettoyage pyrolytique, le four est chauffé à une température très élevée. La saleté tenace est brûlée et peut être essuyée une fois l'autonettoyage terminé. Après la fin d'un cycle d'autonettoyage, le four ne vous permettra pas de démarrer un autre cycle d'autonettoyage pendant 24 heures.

Tous les éléments de surface sont automatiquement désactivés pendant l'aut-nettoyage. Cela est normal. Une fois le cycle d'auto-nettoyage terminé et le four refroidi, les éléments redeviennent opérationnels.

À propos de l'auto-nettoyage

- Reportez-vous au tableau des modes du four pour voir si votre cuisinière est dotée de la fonction d'auto-nettoyage.
→ "Modes et fonctions de chauffage du four", Page 58
- Pendant l'auto-nettoyage, les brûleurs standard de la cuisinière et la plaque chauffante électrique ou la zone à induction peuvent être utilisés. Les brûleurs ExtraLow® ne peuvent pas être utilisés.
- Il est courant de voir de la fumée ou des flammes pendant le cycle d'auto-nettoyage, selon le contenu et la quantité de saleté restant dans le four. Si une flamme persiste, éteignez le four et laissez-le refroidir avant d'ouvrir la porte pour essuyer l'excès de saleté alimentaire.

Préparation de l'autonettoyage

⚠ AVERTISSEMENT

Pendant le cycle d'autonettoyage, certaines parties de l'appareil peuvent devenir potentiellement dangereuses pour les personnes qui ne connaissent pas les appareils et les réactions des adultes à des conditions potentiellement dangereuses.

- ▶ Ne pas laisser les enfants seuls ou sans surveillance lorsque l'appareil est en cours d'utilisation.

Le four chauffe à très haute température pendant l'autonettoyage. L'ouverture de la porte peut entraîner des blessures.

- ▶ Lors de l'autonettoyage, vérifiez que la porte est verrouillée et ne s'ouvre pas.
- ▶ Si la porte ne se verrouille pas, ne pas lancer le Nettoyage Auto. Communiquez avec le service après-vente.

⚠ MISE EN GARDE

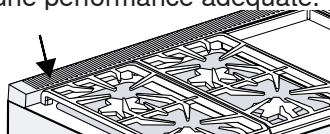
Retirez les poêles à griller, les casseroles et autres ustensiles et tout déversement excessif avant l'autonettoyage.

Ne laissez pas de nourriture ou d'ustensiles de cuisine, etc., dans le four pendant le mode de fonctionnement autonettoyant pyrolytique.

⚠ AVERTISSEMENT

Ne bloquez pas ou n'obstruez pas la circulation de l'air à travers les ouvertures de ventilation. L'évent est situé à l'arrière de l'appareil. L'évent doit être dégagé et ouvert

pour fournir le flux d'air nécessaire qui est important pour une performance adéquate.



- ▶ Ne touchez pas la zone de ventilation lorsque l'appareil est en marche et pendant plusieurs minutes après que l'appareil est éteint. Certaines parties de l'évent et les zones environnantes deviennent suffisamment chaudes pour provoquer des brûlures. Laissez à l'appareil le temps de refroidir avant de toucher ou de nettoyer les zones de ventilation.
- ▶ Ne placez pas de plastique ou d'autres objets sensibles à la chaleur sur ou à proximité de l'évent. Ces articles pourraient fondre ou s'enflammer.
- ▶ Pour assurer une ventilation adéquate de la cuisinière, ne retirez pas les pieds de la cuisinière.

AVIS :

Ne nettoyez pas les pièces ou les accessoires avec la fonction d'autonettoyage.

1. Retirez tous les accessoires, grilles et guides de grille du four.
2. Essuyez tout déversement excessif de la cavité du four.

Démarrage de l'auto-nettoyage sur les modèles sans écran

Exigence

- Tous les modes de chauffage ou minuteries sont annulés.
- Vous avez effectué les étapes de préparation du four pour l'autonettoyage.
→ "Préparation de l'autonettoyage", Page 73

1. Tournez le bouton de sélection de mode sur **SELF CLEAN**.
2. Tournez le bouton de sélection de la température sur **CLEAN**.
3. Vérifiez si la porte est verrouillée.

Remarque : N'utilisez pas l'auto-nettoyage si la porte du four ne se verrouille pas.

- ✓ L'autonettoyage dure 2 heures.

Démarrage de l'auto-nettoyage sur les modèles avec écran

Exigence

- Tous les modes de chauffage ou minuteries sont annulés.
- Vous avez effectué les étapes de préparation du four pour l'autonettoyage.
→ "Préparation de l'autonettoyage", Page 73


1. Tournez le bouton de sélection de mode sur **SELF CLEAN**.
2. Tournez le bouton de sélection de la température sur **CLEAN**.
3. Appuyez sur la droite < ou > pour sélectionner le niveau de nettoyage.

Niveau de saleté	Durée (exclut la période de refroidissement)
Faible	1 ½ heures
Élevé	3 heures

4. Appuyez sur ENTER.

✓ Un texte d'information apparaît.

5. Appuyez sur ENTER.

✓ Dans les 20 secondes, la porte se verrouille et  apparaît.

6. Vérifiez si la porte est verrouillée.

Remarque : N'utilisez pas l'auto-nettoyage si la porte du four ne se verrouille pas.

Réglage d'une minuterie de fin pour l'auto-nettoyage**1. Tournez le bouton de sélection de mode sur SELF CLEAN.****2. Tournez le bouton de sélection de la température sur CLEAN.****3. Appuyez sur la droite < ou > pour sélectionner le niveau de nettoyage.****4. Appuyez sur ENTER.****5. Appuyez sur TIMERS.****6. Appuyez sur la gauche < ou > pour sélectionner "Heure de fin".****7. Appuyez sur la droite < ou > pour régler une heure de fin.****8. Appuyez sur ENTER.****9. Après l'affichage du texte informatif, appuyez sur ENTER.****Fin de l'auto-nettoyage**

Lorsque l'auto-nettoyage est terminé, le four refroidit. Le loquet de la porte s'ouvre automatiquement lorsque le four est en dessous de 500 F (260 C).

⚠ MISE EN GARDE

Pour éviter tout risque de brûlure, laissez le four refroidir complètement avant d'ouvrir la porte du four. La cavité du four est encore à des températures de cuisson lorsque le loquet de la porte est relâché après l'auto-nettoyage.

1. Tournez le bouton de sélection de mode et le bouton de sélection de température à OFF.**2. Essuyez les cendres restantes du four avec un chiffon humide.**

Remarque : Une fois l'auto-nettoyage terminé, la fonction d'auto-nettoyage ne pourra plus fonctionner pendant 24 heures.

11.4 Entretien**Remplacement d'une ampoule de four**

Lorsque la lumière du four tombe en panne, vous pouvez remplacer les ampoules.

⚠ AVERTISSEMENT

La prise d'éclairage est sous tension lorsque la porte est ouverte si l'alimentation principale n'est pas coupée.

- ▶ Coupez l'alimentation électrique principale sur le panneau de service avant de changer les ampoules.

⚠ AVERTISSEMENT

S'assurer que l'appareil et l'éclairage sont froids et veiller à couper l'alimentation électrique de l'appareil avant de remplacer la ou les ampoules. Le non-respect de cette précaution pourrait entraîner un choc électrique ou des brûlures.

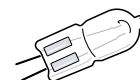
- ▶ Les lentilles doivent être en place lors de l'utilisation de l'appareil.
- ▶ Les lentilles servent à protéger l'ampoule de la rupture.
- ▶ Les lentilles sont en verre. Manipulez les lentilles avec précaution pour éviter de les endommager. Les éclats de verre peuvent entraîner une blessure.

Spécifications de l'ampoule

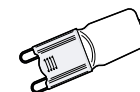
Votre cuisinière utilise une ampoule avec l'une des spécifications suivantes. Vérifiez l'intérieur du boîtier de l'ampoule pour déterminer la bonne ampoule pour votre modèle de cuisinière.

Description de l'ampoule **Illustration de l'ampoule**

10 Watt, ampoule halogène, base G4, 12 Volts



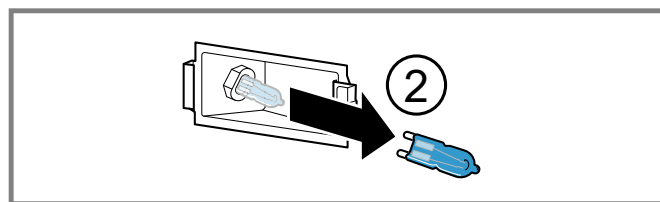
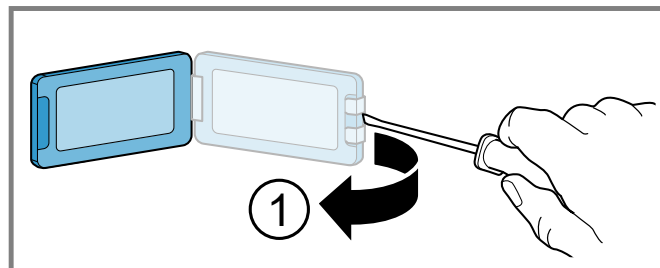
25 Watt, ampoule halogène, base G9, 120 Volts

**Remplacement d'un éclairage de four**

Remarque : Les graphiques sont représentatifs. Votre appareil peut avoir différentes apparences graphiques.

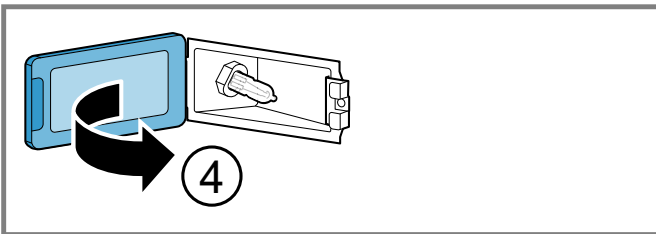
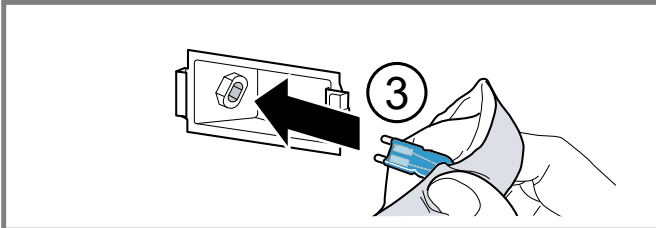
Exigence

- Reportez-vous au tableau des ampoules du four pour les spécifications d'éclairage de four de votre four.
 - Suivez les signes de sécurité pour remplacer une ampoule. → Page 74
1. Couper l'alimentation du four au tableau de distribution principal (boîte à fusibles ou boîtier de disjoncteurs).
 2. Retirez les grilles du four.
 3. Faites glisser la pointe d'un tournevis à lame plate entre le clip du support et le boîtier de la lampe.



4. Soutenez le couvercle de la lentille en verre avec les doigts le long du bord inférieur pour éviter que le couvercle ne tombe au fond du four. Tournez doucement le tournevis à lame plate pour desserrer le couvercle de la lentille en verre ①.

5. Retirez le couvert de la lentille en verre.
6. Retirez l'ampoule en saisissant et en faisant glisser l'ampoule vers l'arrière jusqu'à ce que les deux broches aient dégagé le support en céramique ②
7. NE touchez PAS au verre de la nouvelle ampoule de remplacement avec les doigts. Cela pourrait provoquer la défaillance de l'ampoule lorsqu'elle s'allume pour la première fois. Saisissez l'ampoule de remplacement avec un chiffon propre et sec. Repérez les deux tiges dans le support de céramique, en tâtant légèrement jusqu'à ce que les deux tiges s'insèrent dans la douille céramique ③.



8. Appuyez pour asseoir l'ampoule.
9. Faites glisser la lentille de protection dans le clip du support et poussez l'autre extrémité jusqu'à ce que le clip de fixation s'enclenche dans le boîtier ④.
10. Allumez le disjoncteur.

12 Dépannage

Vous pouvez éliminer vous-même les défauts mineurs de votre appareil. Veuillez lire les informations de dépannage avant de contacter le service à la clientèle. Cela peut éviter des frais de visite inutiles.

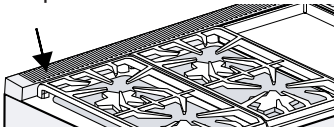
AVERTISSEMENT

Des réparations mal exécutées sont dangereuses.

- ▶ Seuls les prestataires de services agréés doivent réparer l'appareil.

- ▶ Afin d'écartier tout danger, quand le cordon d'alimentation de cet appareil est endommagé, seul le fabricant, son service à la clientèle ou toute autre personne de qualification équivalente est habilité à le faire.
- ▶ Seules des pièces de rechange d'origine peuvent être utilisées pour réparer l'appareil.
- ▶ Si l'appareil a un problème, appelez le service client.

Défaut	Cause et dépannage
La porte du four est verrouillée et refuse de s'ouvrir, même après le refroidissement	La serrure de porte est enclenchée <ol style="list-style-type: none"> 1. Mettre le four hors circuit au disjoncteur et attendre cinq minutes. 2. Remettre le disjoncteur en circuit. <ul style="list-style-type: none"> ✓ Le four devrait se réinitialiser et être fonctionnel.
Le four ne chauffe pas	Il n'y a pas d'alimentation électrique à l'appareil <ol style="list-style-type: none"> 1. Vérifier le disjoncteur ou le boîtier à fusibles de la résidence. 2. S'assurer que l'alimentation électrique du four est adéquate. Il n'y a pas de température de cuisson réglée <ul style="list-style-type: none"> ▶ Réglez une température de mode de chauffage.
L'éclairage du four fonctionne mal	L'ampoule du four est desserrée ou brûlée <ul style="list-style-type: none"> ▶ Remplacez ou réinsérez l'ampoule. → "Remplacement d'une ampoule de four", Page 74 Conseil : Toucher l'ampoule avec les doigts peut la faire griller.
L'éclairage refuse de s'éteindre	La porte du four ne se ferme pas correctement <ol style="list-style-type: none"> 1. Vérifiez que la porte du four n'est pas obstruée. 2. Vérifiez si la charnière est pliée. La lumière du four est allumée <ul style="list-style-type: none"> ▶ Appuyez sur le bouton d'éclairage du four pour éteindre l'éclairage du four.
Impossible de retirer la lentille de la lampe	Il y a une accumulation de saleté autour du couvercle de l'objectif <ol style="list-style-type: none"> 1. Laissez refroidir la cavité du four. 2. Essuyez la zone du couvercle de la lentille avec une serviette propre et sèche, puis essayez de retirer le couvercle de la lentille.
La fonctionnalité d'autonettoyage du four ne fonctionne pas correctement	Le four est trop chaud pour démarrer l'autonettoyage <ol style="list-style-type: none"> 1. Laissez le four refroidir avant de lancer l'autonettoyage. 2. Essuyez toujours les saletés libres ou les déversements importants avant de procéder à un autonettoyage. 3. Si le four est très sale, réglez la durée maximale d'autonettoyage.
L'horloge et la minuterie fonctionnent mal	Il n'y a pas d'alimentation électrique à l'appareil <ol style="list-style-type: none"> 1. Vérifier le disjoncteur ou le boîtier à fusibles de la résidence. 2. S'assurer que l'alimentation électrique du four est adéquate.
Le panneau de commande ne répond pas lorsqu'une touche est activée	Le contrôle est mouillé ou sale <ul style="list-style-type: none"> ▶ Nettoyez le panneau de commande et essuyez-le. Les touches tactiles ne sont pas correctement enfoncées <ol style="list-style-type: none"> 1. Appuyez au centre du bouton. 2. Utiliser le plat du doigt.

Défaut	Cause et dépannage
De l'air chaud ou de la vapeur s'échappent de l'évent du four	<p>Il est normal de voir ou de sentir de la vapeur ou de l'air chaud s'échapper de l'évent du four</p> <p>⚠ AVERTISSEMENT Ne bloquez pas ou n'obstruez pas la circulation de l'air à travers les ouvertures de ventilation. L'évent est situé à l'arrière de l'appareil. L'évent doit être dégagé et ouvert pour fournir le flux d'air nécessaire qui est important pour une performance adéquate.</p>  <ul style="list-style-type: none"> ▶ Ne touchez pas la zone de ventilation lorsque l'appareil est en marche et pendant plusieurs minutes après que l'appareil est éteint. Certaines parties de l'évent et les zones environnantes deviennent suffisamment chaudes pour provoquer des brûlures. Laissez à l'appareil le temps de refroidir avant de toucher ou de nettoyer les zones de ventilation. ▶ Ne placez pas de plastique ou d'autres objets sensibles à la chaleur sur ou à proximité de l'évent. Ces articles pourraient fondre ou s'enflammer. ▶ Pour assurer une ventilation adéquate de la cuisinière, ne retirez pas les pieds de la cuisinière.
Le ventilateur de refroidissement fonctionne même si le four est éteint	<p>Le ventilateur de refroidissement peut encore fonctionner, même après avoir éteint le four, jusqu'au refroidissement suffisant du four</p> <ul style="list-style-type: none"> ▶ Cela est normal. Aucune action n'est requise.
Le système électrique général de l'appareil ne fonctionne pas.	<p>Le disjoncteur est déclenché.</p> <ol style="list-style-type: none"> 1. Vérifier le disjoncteur ou le boîtier à fusibles de la résidence. 2. S'assurer que l'alimentation électrique de l'appareil est adéquate. <p>La fiche secteur du cordon d'alimentation secteur n'est pas branchée.</p> <ul style="list-style-type: none"> ▶ Branchez l'appareil au réseau électrique.
L'allumage automatique ne fonctionne pas.	<p>Aucune alimentation électrique.</p> <ul style="list-style-type: none"> ▶ Vérifiez si les lumières et les autres appareils dans la pièce fonctionnent. <p>Des restes de nourriture, de la saleté ou des produits de nettoyage se trouvent entre les allumeurs et les brûleurs.</p> <ul style="list-style-type: none"> ▶ Nettoyez l'espace entre l'allumeur et le brûleur. <p>Les pièces du brûleur sont humides.</p> <ul style="list-style-type: none"> ▶ Séchez soigneusement les pièces du brûleur. <p>Les pièces du brûleur ne sont pas correctement positionnées.</p> <ul style="list-style-type: none"> ▶ Positionnez correctement les pièces du brûleur. <p>L'appareil n'est pas correctement connecté à l'alimentation électrique.</p> <ul style="list-style-type: none"> ▶ Contactez un électricien qualifié.
La flamme du brûleur n'est pas uniforme.	<p>Les pièces du brûleur ne sont pas correctement positionnées.</p> <ul style="list-style-type: none"> ▶ Positionnez correctement les pièces du brûleur. <p>Les rainures du brûleur sont sales.</p> <ul style="list-style-type: none"> ▶ Nettoyer les rainures sur le brûleur.
Le débit de gaz est anormal ou il y a absence de gaz.	<p>L'alimentation en gaz est bloquée par des vannes de gaz intermédiaires.</p> <ul style="list-style-type: none"> ▶ Ouvrez les vannes de gaz. <p>La bouteille de gaz est vide.</p> <ul style="list-style-type: none"> ▶ Remplacez la bouteille de gaz.
Il y a une odeur de gaz dans la cuisine.	<p>Une soupape de gaz a été laissée en marche.</p> <ul style="list-style-type: none"> ▶ Fermez les robinets de gaz. <p>Mauvais raccordement de la bouteille de gaz.</p> <ul style="list-style-type: none"> ▶ Vérifiez le bon raccordement à la bouteille de gaz. <p>Le tuyau de gaz vers l'appareil fuit.</p> <ol style="list-style-type: none"> 1. Fermez l'alimentation en gaz au niveau de la vanne de gaz principale. 2. Aérez les locaux.

Défaut	Cause et dépannage
Il y a une odeur de gaz dans la cuisine.	<ol style="list-style-type: none"> 3. Avisez immédiatement un technicien d'installation autorisé pour vérifier et certifier l'installation. 4. N'utilisez pas l'appareil tant que vous n'êtes pas certain qu'il n'y a pas de fuite de gaz dans la conduite d'alimentation en gaz ou dans l'appareil.
Le brûleur s'éteint immédiatement après avoir relâché le bouton de commande.	<p>Le bouton de commande n'a pas été enfoncé assez longtemps.</p> <ol style="list-style-type: none"> 1. Maintenez le bouton de commande enfoncé pendant quelques secondes après l'allumage. 2. Appuyez fermement sur le bouton de commande. <p>Les rainures du brûleur sont sales.</p> <ul style="list-style-type: none"> ▸ Nettoyer les rainures sur le brûleur.
Une forte odeur se dégage du four neuf lorsqu'il est mis sous tension	<p>Cela est normal pour un four neuf et l'odeur disparaîtra après quelques utilisations</p> <ul style="list-style-type: none"> ▸ Utilisez le mode autonettoyant pour brûler l'odeur plus rapidement.
Les résultats de cuisson ne sont pas satisfaisants	<p>La position de la grille n'est pas idéale</p> <ol style="list-style-type: none"> 1. Consultez les tableaux de cuisson pour la position de grille recommandée. 2. Cochez « Tirer le meilleur parti de votre appareil » pour obtenir des conseils et des suggestions.
La durée de cuisson des aliments est plus longue que prévue	<p>La température du four doit être recalibrée</p> <p>Remarque : Le four est soigneusement étalonné de manière à offrir des résultats précis.</p> <ul style="list-style-type: none"> ▸ Si la nourriture est toujours trop brune ou trop claire, la température peut être décalée. → "Décalage de la température du four", Page 62
Les aliments sont trop cuits	<p>La température du four doit être recalibrée</p> <p>Remarque : Le four est soigneusement étalonné de manière à offrir des résultats précis.</p> <ul style="list-style-type: none"> ▸ Si la nourriture est toujours trop brune ou trop claire, la température peut être décalée. → "Décalage de la température du four", Page 62
« E » et un numéro s'affichent à l'écran et la commande émet un signal sonore	<p>Une panne électronique s'est produite</p> <ol style="list-style-type: none"> 1. Appuyez sur TIMERS pour arrêter le bip. 2. Réinitialisez le four si nécessaire. 3. Appelez un fournisseur de services agréé.

13 Élimination

13.1 Éliminer un appareil usagé

L'élimination dans le respect de l'environnement permet de récupérer de précieuses matières premières.

1. Débranchez la fiche du secteur.
2. Coupez le câble de raccordement secteur.
3. Éliminez l'appareil dans le respect de l'environnement.
Pour connaître les circuits d'élimination actuels, veuillez vous adresser à votre revendeur ou à votre administration municipale.

14 Service à la clientèle

Lors de toute réparation réalisée dans le cadre de la garantie, nous nous assurons que votre appareil est réparé avec des pièces de rechange d'origine par un

technicien dûment formé et agréé. Nous utilisons exclusivement des pièces de rechange d'origine lors des réparations.

Pour plus d'informations sur la durée et les conditions de la garantie dans votre pays, consultez nos modalités de garantie auprès de votre détaillant ou sur notre site Web.

Si vous contactez le service à la clientèle, indiquez le numéro de modèle (E-Nr.) et le numéro de fabrication (FD) de l'appareil.

USA:

1-800-735-4328

www.thermador.com/support

www.thermador.com/us/accessories

CA:

1-800-735-4328

www.thermador.ca

www.thermador.ca/fr/soutien/filtres-nettoyants-accessoires

Vous trouverez également de l'aide pour contacter

Home Connect® à l'adresse suivante :

www.home-connect.com/us/en/help-support/set-up

14.1 Connexion au service à la clientèle à distance

Il est possible pour le service à la clientèle d'accéder à l'appareil via la connexion Home Connect® en cas d'erreur.

Accorder au service à la clientèle l'accès à l'appareil

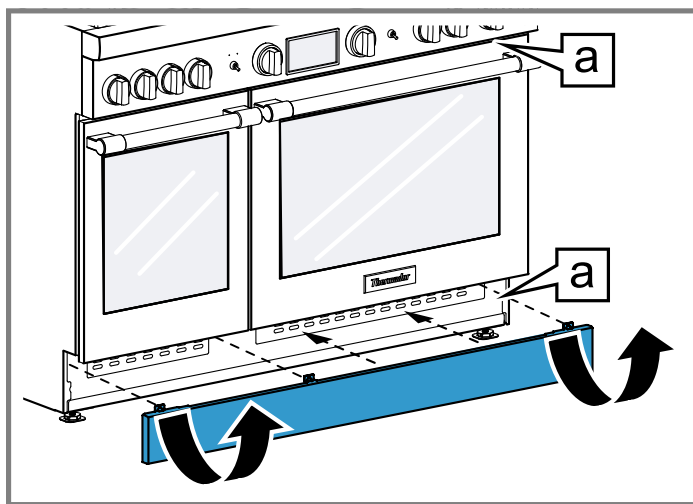
1. Communiquez avec le service à la clientèle. Suivez les instructions qui vous sont données par le représentant.
2. Appuyez sur **ENTER** pour autoriser l'accès au service à la clientèle.

14.2 Numéro de modèle (E-Nr.) et numéro de fabrication (FD)

Le numéro de modèle (E-Nr.) et le numéro de fabrication (FD) sont indiqués sur la plaque signalétique de l'appareil. Pour retrouver rapidement les données de votre appareil et le numéro de téléphone du service à la clientèle, n'hésitez pas à les recopier ailleurs.

14.3 Emplacement de la plaque signalétique

Selon votre modèle, les plaques signalétiques sont situées au-dessus du four principal ou derrière la plaque de protection.



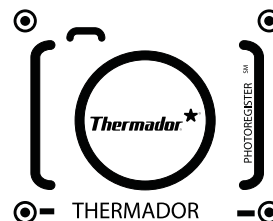
a Plaque signalétique

14.4 Enregistrement de produit

Enregistrez votre produit Thermador pour accéder aux informations relatives à votre produit.

Vous pouvez enregistrer votre produit de plusieurs manières :

- Inscrivez-vous avec votre téléphone (aux É.-U. seulement) :



- Prenez une photo de l'icône de la caméra sur la carte d'enregistrement, y compris les points (⊙).
- Envoyez la photo par texto au numéro 21432. (É.-U. seulement, des frais de messagerie et de données peuvent s'appliquer.)

- Postez la carte d'enregistrement du produit remplie à l'adresse imprimée sur la carte.
- Enregistrez le produit en ligne au
 - É.-U. : www.thermador.com
 - Canada : www.thermador.ca
- Appelez Thermador Support à la clientèle au 1-800-735-4328.

15 ÉNONCÉ DE LA GARANTIE LIMITÉE DU PRODUIT

15.1 Couverture de la garantie limitée

La garantie limitée fournie par BSH Home Appliances (« Thermador ») dans cet énoncé de garantie limitée s'applique seulement à l'appareil Thermador qui vous a été vendu (« Produit »), pour autant que le produit ait été acheté :

- Pour une utilisation normale résidentielle (non commerciale), et qu'il a été utilisé en tout temps pour un usage domestique normal.
- Neuf au détail auprès d'un revendeur agréé BSH ou directement auprès de BSH (pas un présentoir, « tel quel », ou un modèle précédemment retourné), et non destiné à la revente ou à un usage commercial.
- Aux États-Unis ou au Canada et qu'il est demeuré en tout temps dans son pays d'achat.

Les garanties aux présentes s'appliquent à l'acheteur original du produit sous garantie et à tout propriétaire successif du produit acheté pour une utilisation résidentielle habituelle et la durée de la garantie.

Assurez-vous d'enregistrer votre produit ; Bien qu'il ne soit pas nécessaire pour appliquer la garantie, c'est le meilleur moyen pour Thermador de vous informer dans le cas peu probable d'un avis de sécurité ou d'un rappel de produit.

15.2 Durée de la garantie

Thermador garantit que le produit est exempt de défaut de matériau et de fabrication pour une période de sept cent trente (730) jours à compter de la date de livraison. La période susmentionnée commence à partir de la date de livraison et ne doit pas être retenue, retardée, prolongée, ou interrompue pour une raison quelconque. Ce Produit est également garanti exempt de défauts **cosmétiques** de matériaux et de fabrication (tels que des rayures sur l'acier inoxydable, des taches de peinture/porcelaine, des éclats, des bosses ou d'autres dommages à la finition) du Produit, pendant une période de soixante (60) jours à compter de la date de livraison ou de la date de clôture pour une

nouvelle construction. La présente garantie **cosmétique** exclut les variations légères de couleur causées par les différences inhérentes entre les sections peintes et les sections en porcelaine, de même que les différences causées par l'éclairage de la cuisine, l'emplacement du produit et autres facteurs similaires. La présente garantie **cosmétique** exclut spécifiquement tous les appareils en montre, de plancher, « tel quel » et remis à neuf.

15.3 Réparation ou remplacement : votre recours exclusif

Pendant cette période de garantie, Thermador ou l'un de ses centres de réparations autorisés réparera gratuitement votre Produit (sous réserve de certaines restrictions aux présentes) si celui-ci présente des défauts de matériels ou de fabrication. Si des tentatives raisonnables pour réparer le produit sont vaines, alors Thermador remplacera le produit (un modèle supérieur peut être offert, à la seule discrétion de Thermador, moyennant des frais supplémentaires). Rien dans cette garantie n'exige que les pièces endommagées ou défectueuses soient remplacées par des pièces d'un type ou d'une conception différent de la pièce d'origine. Toutes les pièces ou les composants enlevés demeurent la seule propriété de Thermador. Toute pièce remplacée ou réparée doit être identique à la pièce d'origine aux fins de la présente garantie et la garantie ne sera pas prolongée en regard de telles pièces. La seule responsabilité de Thermador, en vertu des présentes, se limite à la réparation des produits défectueux au départ de l'usine, par le biais d'un fournisseur de services agréé Thermador pendant les heures de travail normales. Pour des raisons de sécurité et de dommages matériels, Thermador vous recommande fortement de ne pas essayer de réparer le produit vous-même ou de faire appel à un fournisseur de services non autorisé ; Thermador n'assume aucune responsabilité pour les dommages résultant de réparations ou de travaux effectués par un fournisseur de services non autorisé. Les centres de réparation autorisés sont les personnes ou les entreprises qui ont été spécialement formées sur les produits Thermador et qui possèdent, selon l'opinion de Thermador, une réputation supérieure pour le service après-vente et la capacité technique (il est à noter qu'elles sont des entités indépendantes et non des agents, partenaires, affiliés ou représentants de Thermador). Néanmoins, le fait de confier l'entretien de votre produit à un atelier de réparation qui n'est pas affilié à Thermador ou à un revendeur agréé de Thermador n'annulera pas cette garantie. De plus, l'utilisation de pièces tierces n'annulera pas cette garantie. Nonobstant ce qui suit, Thermador ne sera pas tenue responsable d'aucune façon si le produit est situé dans une région éloignée (supérieure à 100 miles d'un centre de réparation autorisé) ou n'est pas accessible de façon raisonnable, dans un environnement ou un local dangereux, menaçant ou périlleux; dans une telle éventualité, à la demande du consommateur, Thermador pourrait encore payer les frais de main-d'œuvre et de pièces et expédier les pièces au centre de réparation autorisé le plus près, mais le consommateur serait entièrement responsable pour tous les frais de déplacement et autres frais spéciaux encourus par le centre de réparation, en autant qu'il accepte la demande de réparation. De plus, dans la mesure où vous avez installé le produit dans un endroit difficile d'accès ou avez autrement installé des installations temporaires ou permanentes qui créent des obstacles à l'accès ou au

retrait du produit, Thermador n'encourra aucune responsabilité ou n'aura aucune responsabilité pour les travaux ou les coûts associés au déplacement du Produit ou à la création d'un accès au Produit afin de le réparer ou de le remplacer. Tous ces frais seront à votre charge exclusive.

15.4 Produit hors garantie

Thermador n'a aucune obligation, aux termes de la loi ou autrement, d'offrir toute concession, incluant réparation, prorata ou remplacement de produit une fois la garantie expirée.

15.5 Exclusions de garantie

La couverture de garantie décrite dans les présentes exclut tous les défauts ou dommages pour lesquels Thermador serait directement imputable, y compris, sans s'y limiter, l'un ou plusieurs des cas suivants :

- Utilisation du produit autre qu'un usage normal, habituel et de la façon destinée (incluant, sans s'y limiter, toute forme d'utilisation commerciale, d'utilisation ou de rangement d'un produit pour l'intérieur à l'extérieur, d'utilisation du produit de concert avec un transporteur aérien ou marin).
- Mauvaise conduite de toute partie, négligence, mauvaise utilisation, abus, accidents, fonctionnement inadéquat, mauvais entretien, installation inadéquate ou négligente, altération, manquement d'observer les instructions de fonctionnement, mauvaise manipulation, service non autorisé (incluant réparation par le consommateur ou exploration du fonctionnement interne du produit).
- Réglage, modification ou altération de tout type.
- Non conformité aux normes fédérales, provinciales, municipales ou électriques en vigueur au pays, aux codes de plomberie ou du bâtiment, aux réglementations ou aux lois, incluant le non respect d'installer le produit en stricte conformité avec les codes et les réglementations du bâtiment et d'incendie locaux.
- Bris et usure normaux, déversements d'aliments ou de liquides, accumulations de graisse ou d'autres substances dans, sur ou autour du Produit.
- Toute force ou tout facteur externe, élémentaire et / ou environnemental, incluant sans limitation, la pluie, le vent, le sable, les inondations, les incendies, les coulées de boue, le gel, l'humidité excessive ou l'exposition prolongée à l'humidité, la foudre, les surtensions, les problèmes de structure autour de l'appareil et les désastres naturels.
- Demandes de service visant à corriger l'installation de votre Produit, à obtenir des conseils à propos de son utilisation, à remplacer les fusibles de votre maison ou à réparer l'installation électrique ou la plomberie de votre foyer.
- Retrait et remplacement de la garniture ou des panneaux de décoration qui entravent l'entretien du produit.
- Dommages ou défauts résultant de la main-d'œuvre ou de pièces installées par un centre de réparation non autorisé, à moins d'être approuvé par Thermador avant de procéder à sa réparation.

En aucun cas, Thermador ne sera tenue responsable de dommages survenus à la propriété environnantes, incluant les armoires, les planchers, les plafonds et les autres objets ou structures situés autour du produit. Également exclus de la garantie sont les Produits dont les numéros

de série ont été modifiés, effacés ou enlevés; les demandes de réparations pour enseigner le fonctionnement du Produit ou les visites où il n'y a aucun problème avec le produit; la correction de problèmes d'installation (le consommateur est seul responsable pour toute structure et tout réglage du Produit, incluant l'électricité, la plomberie et les autres raccordements nécessaires, pour une fondation / plancher approprié[e], et pour toute modification incluant, sans limitation, armoires, murs, planchers, tablettes, etc.) et le réenclenchement de disjoncteurs ou le remplacement de fusibles.

DANS LA MESURE AUTORISÉE PAR LOI, LA PRÉSENTE GARANTIE PRÉCISE LES RECOURS EXCLUSIFS DONT VOUS DISPOSEZ À L'ÉGARD DU PRODUIT, QUE LA DEMANDE SOIT FONDÉE SUR UN CONTRAT OU DÉLIT (Y COMPRIS RESPONSABILITÉ ABSOLUE OU NÉGLIGENCE) OU AUTRE. LA PRÉSENTE GARANTIE REMPLACE TOUTES LES AUTRES GARANTIES, EXPRESSES OU IMPLICITES. TOUTES GARANTIES IMPLICITES AUX TERMES DE LA LOI, QUE SE SOIT LES GARANTIES DE QUALITÉ MARCHANDE OU D'APTITUDE À UN USAGE PARTICULIER, OU AUTRES, SONT LIMITÉES DANS LE TEMPS À LA DURÉE DE CETTE GARANTIE LIMITÉE EXPRESSE. LE FABRICANT NE SERA EN AUCUN CAS RESPONSABLE DE DOMMAGES CONSÉCUTIFS, SPÉCIAUX, ACCESSOIRES, INDIRECTS OU DE « PERTES COMMERCIALES » ET / OU DE DOMMAGES PUNITIFS, DE PERTES OU DE DÉPENSES, Y COMPRIS SANS S'Y LIMITER, ABSENCE DU TRAVAIL, FRAIS D'HÔTEL ET / OU FRAIS DE RESTAURANT, FRAIS DE REMANIEMENT EN EXCÉDENT DES DOMMAGES DIRECTS QUI SONT DÉFINITIVEMENT CAUSÉS EXCLUSIVEMENT PAR THERMADOR, OU AUTREMENT. CERTAINS ÉTATS N'AUTORISENT PAS L'EXCLUSION OU LA LIMITATION DE DOMMAGES ACCESSOIRES OU CONSÉCUTIFS, ET CERTAINS ÉTATS N'AUTORISENT PAS LA LIMITATION DE LA DURÉE DES GARANTIES IMPLICITES. PAR CONSÉQUENT, LES EXCLUSIONS OU LES LIMITES SUSMENTIONNÉES POURRAIENT NE PAS VOUS CONCERNER. LA PRÉSENTE GARANTIE VOUS DONNE DES DROITS PRÉCIS RECONNUS PAR LA LOI ET VOUS POUVEZ ÉGALEMENT AVOIR D'AUTRES DROITS QUI VARIENT D'UN ÉTAT À L'AUTRE.

Aucune tentative de modifier, changer ou amender la présente garantie ne peut être valide sans le consentement écrit autorisé par un dirigeant de BSH.

15.6 Obtention du service de garantie

Pour obtenir le service de garantie de votre produit, vous devez contacter le service client de Thermador au 1-800-735-4328 pour planifier une réparation.

15.7 Information sur le produit

Pour référence pratique, copiez l'information ci-après de la plaque signalétique. Conservez votre facture et/ou vos documents de livraison pour la validation de la garantie.

Numéro de modèle
(E-Nr.)

Numéro de
fabrication (FD)

Date de livraison



A series of horizontal lines for writing, starting from the top of the page and extending to the bottom.



A series of horizontal lines spanning the width of the page, providing a template for writing.



1901 MAIN STREET, SUITE 600 IRVINE, CA 92614 USA // 1-800-735-4328 // WWW.THERMADOR.COM
© 2023 BSH HOME APPLIANCES CORPORATION
8001261516 // en-us, fr-ca // 030214