

# *Installation* **GUIDE**

Thermador Professional<sup>®</sup> Series  
Built-in Speed Oven

MC30WP





# *Table of* **CONTENTS**

---

<b>Safety Definitions</b> .....	4
<b>IMPORTANT SAFETY INSTRUCTIONS</b> .....	5
Appliance Handling Safety .....	5
Safety Codes and Standards .....	5
Electric Safety .....	5
Microwave Safety .....	5
Related Equipment Safety .....	6
State of California Proposition 65 Warnings .....	6
<b>Before you begin</b> .....	7
Tools and parts needed .....	7
Parts included .....	7
Power Requirements .....	7
<b>Checklist for Installation</b> .....	7
<b>Removing Packaging</b> .....	7
<b>Dimensions and Cabinet Requirements</b> .....	8
General Cabinet Requirements .....	8
Outlet Area .....	8
Appliance Dimensions .....	8
Cabinet Dimensions .....	8
<b>Electrical Installation - GROUNDING INSTRUCTIONS</b> .....	9
Electrical Connection .....	9
Four-wire Connection .....	9
Three-wire Connection .....	10
<b>Install Appliance</b> .....	10
Mount to Cabinet .....	10
<b>Testing Operation</b> .....	10
<b>THERMADOR® Support</b> .....	11
Before Calling Service .....	11
Data Plate .....	11
Service .....	11
Parts and Accessories .....	11

*This THERMADOR Appliance is made by*  
BSH Home Appliances Corporation  
1901 Main Street, Suite 600  
Irvine, CA 92614

---

*Questions?*

1-800-735-4328

[www.thermador.com](http://www.thermador.com)

*We look forward to hearing from you!*

---

# Safety Definitions

---

## **▲ WARNING**

This indicates that death or serious injuries may occur as a result of non-observance of this warning.

---

---

## **▲ CAUTION**

This indicates that minor or moderate injuries may occur as a result of non-observance of this warning.

---

**NOTICE:** This indicates that damage to the appliance or property may occur as a result of non-compliance with this advisory.

**Note:** This alerts you to important information and/or tips.



# **IMPORTANT SAFETY INSTRUCTIONS**

## READ ALL INSTRUCTIONS BEFORE USING THE APPLIANCE

INSTALLER: LEAVE THESE INSTRUCTIONS WITH THE APPLIANCE AFTER INSTALLATION IS COMPLETE.

IMPORTANT: SAVE THESE INSTRUCTIONS FOR THE LOCAL ELECTRICAL INSPECTOR'S USE.

---

### **WARNING**

If the information in this manual is not followed exactly, fire or shock may result causing property damage or personal injury.

---

---

### **WARNING**

Do not repair, replace or remove any part of the appliance unless specifically recommended in the manuals. Improper installation, service or maintenance can cause injury or property damage. Refer to this manual for guidance. All other servicing should be done by an authorized servicer.

---

## **Appliance Handling Safety**

Unit is heavy and requires at least two people or proper equipment to move.

Do not lift appliance by door handle.

Hidden surfaces may have sharp edges. Use caution when reaching behind or under appliance.

## **Safety Codes and Standards**

This appliance complies with the latest version of one or more of the following standards:

- CAN/CSA C22.2 No. 61 - Household Cooking Ranges
- UL 858 - Household Electric Ranges
- CAN/CSA C22.2 No. 150 - Microwave Ovens
- UL 923 - Microwave Cooking Appliances
- UL 507 - Electric Fans
- CAN/CSA C22.2 No. 113 - Fans and Ventilators
- CSA C22.2 No. 64 - Household Cooking and Liquid-Heating Appliances
- UL 1026 - Electric Household Cooking and Food Serving Appliances

It is the responsibility of the owner and the installer to determine if additional requirements and/or standards apply to specific installations.

## **Electric Safety**

---

### **WARNING**

Before you plug in an electrical cord or turn on power supply, make sure all controls are in the OFF position.

---

---

### **WARNING**

The appliance must be disconnected from the source of supply before attempting the installation.

---

For appliances equipped with a cord and plug, do not cut or remove the ground prong. It must be plugged into a matching grounding type receptacle to avoid electrical shock. If there is any doubt as to whether the wall receptacle is properly grounded, the customer should have it checked by a qualified electrician.

If required by the National Electrical Code (or Canadian Electrical Code), this appliance must be installed on a separate branch circuit.

Installer – show the owner the location of the circuit breaker or fuse. Mark it for easy reference.

Before installing, turn power OFF at the service panel. Lock service panel to prevent power from being turned ON accidentally.

Be sure your appliance is properly installed and grounded by a qualified technician. Installation, electrical connections and grounding must comply with all applicable codes.

## **Microwave Safety**

PRECAUTIONS TO BE OBSERVED BEFORE AND DURING SERVICING TO AVOID POSSIBLE EXPOSURE TO EXCESSIVE MICROWAVE ENERGY

- Do not operate or allow the oven to be operated with the door open.
- Make the following safety checks on all ovens to be serviced before activating the magnetron or other microwave source, and make repairs as necessary:
  1. Interlock operation
  2. Proper door closing
  3. Seal and sealing surfaces (arcing, wear, and other damage)
  4. Damage to or loosening of hinges and latches
  5. Evidence of dropping or abuse
- Before turning on microwave power for any service test or inspection within the microwave generating compartments, check the magnetron, wave guide or transmission line, and cavity for proper alignment, integrity, and connection.
- Any damaged or misadjusted components in the interlock, monitor, door seal, and microwave generation and transmission systems shall be repaired, replaced, or adjusted by procedures described in this manual before the oven is released to the owner.
- A microwave leakage check to verify compliance with the Federal Performance Standard should be performed on each oven prior to release to the owner.

# **IMPORTANT SAFETY INSTRUCTIONS**

READ ALL INSTRUCTIONS BEFORE USING THE APPLIANCE

## **GROUNDING INSTRUCTIONS**

This appliance must be grounded. Grounding reduces the risk of electric shock by providing a safe pathway for electric current in the event of a short circuit.

This appliance must be grounded. Connect only to properly grounded outlet. → *"Electrical Installation - GROUNDING INSTRUCTIONS" on page 9*

---

## **WARNING**

Improper grounding can result in a risk of electric shock. Consult a qualified electrician if the grounding instructions are not completely understood, or if doubt exists as to whether the appliance is properly grounded. Do not use an extension cord. If the power supply cord is too short, have a qualified electrician install an outlet near the appliance.

---

### **For all cord-connected appliances:**

This appliance is equipped with a cord having a grounding wire with a grounding plug. The plug must be plugged into an outlet that is properly installed and grounded.

### **For a permanently connected appliance**

This appliance must be connected to a grounded, metallic, permanent wiring system, or an equipment grounding conductor should be run with the circuit conductors and connected to the equipment grounding terminal or lead on the appliance.

## **Related Equipment Safety**

Remove all tape and packaging before using the appliance. Destroy the packaging after unpacking the appliance. Never allow children to play with packaging material.

Never modify or alter the construction of the appliance. For example, do not remove leveling legs, panels, wire covers or anti-tip brackets/screws.

## **State of California Proposition 65**

### **Warnings:**

---

## **WARNING**

This product can expose you to chemicals including vinyl chloride, which is known to the State of California to cause cancer and birth defects or other reproductive harm. For more information go to [www.P65Warnings.ca.gov](http://www.P65Warnings.ca.gov).

---

---

# Before you begin

## Tools and parts needed

- Philips head screwdriver
- 1/8" drill bit and drill
- Measuring tape
- Knife

## Parts included

- Microwave oven
- Philips head screws

## Power Requirements

The outlet must be properly grounded in accordance with all applicable codes.

It can be installed in the back wall directly behind the appliance.

You can also connect your appliance directly to a compatible conventional Built-in Oven. Refer to separate Combination Instructions.

---

# Checklist for Installation

Use this checklist to verify that you have completed each step of the installation process. This can help you avoid mistakes.

Refer to detailed instructions for each step in the sections following this checklist.

1. Before installing the appliance, be sure to verify the cabinet dimensions are correct for your appliance and that the required electrical connections are present. Make sure the electrical conduit provided on the appliance is able to reach to the point of connection.  
*Section: Dimensions and Cabinet Requirements*
2. Move the appliance into place in front of the cabinet opening.  
*Section: Removing Packaging*

3. Remove packaging materials, leaving the bottom packaging on the appliance to avoid damage to the floor.  
*Section: Removing Packaging*
4. Team-lift the appliance directly into the cabinet cutout.  
*Section: Install Appliance, "Mount to Cabinet"*
5. Slide the appliance all the way into place.  
*Section: Install Appliance, "Mount to Cabinet"*
6. Fasten the appliance to the cabinet opening with the screws supplied.  
*Section: Install Appliance, "Mount to Cabinet"*

Always read and follow the complete installation instructions contained in this manual.

---

# Removing Packaging

**NOTICE:** To prevent damage to your floor keep the unit in its packaging base until ready to be placed in the cabinet opening. Do not slide the unit across the flooring. Different models use different packaging materials. Bracket remains in packaging base.

1. Cut straps on outside of box, if present, remove staples and open the box top.
2. Lift out the accessories and manuals, close the box.
3. Cut around the dotted line near the base of the box.
4. Lift off the box.
5. Remove all top and side cardboard and Styrofoam braces.
6. Place oven in front of cabinets where it is to be installed.

**NOTICE:** To avoid damage to the microwave oven, do not grip or use the door or door handle while the microwave oven is being handled.

# Dimensions and Cabinet Requirements

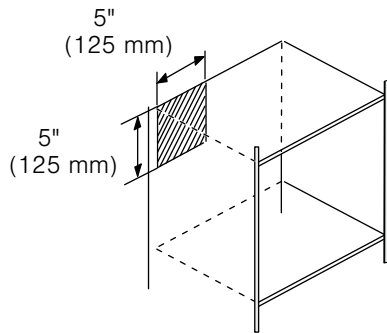
## General Cabinet Requirements

- A space of 1/4" (6.4 mm) is required between the side of the appliance and an adjacent wall or cabinet door when installed at the end of a cabinet run.
- The cabinet base must be flat and capable of supporting the weight of your appliance when in use. For combination units consult the section *Cabinet Dimension Requirements* in the installation manual of your combination appliance.
- The appliance door will overlap the furniture below by approx. 3/16" (5 mm) when opened. If necessary, you can elevate the appliance position by adding a panel in the required thickness on top of the supporting base. The supporting base must be level and securely fixed to the cabinet.

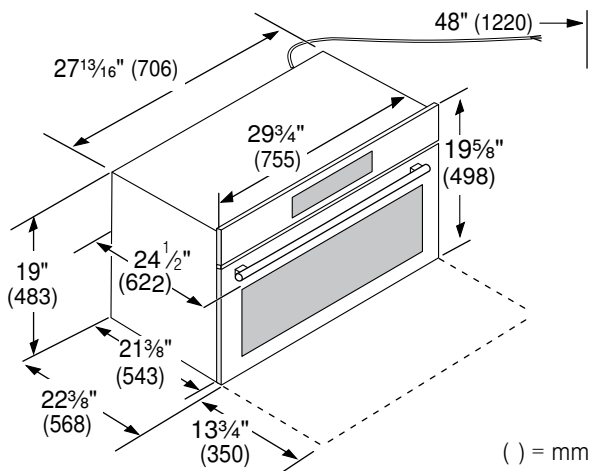
## Outlet Area

Anywhere within the shaded area the minimal distance between the appliance and the wall is 1 3/4 in (45 mm).

- For stand alone installation, the electrical connection box must be mounted to the wall inside the cabinet cavity anywhere within the shaded area.
- For installation as part of a combination of various THERMADOR appliances, please consult the installation manual of the combination unit.

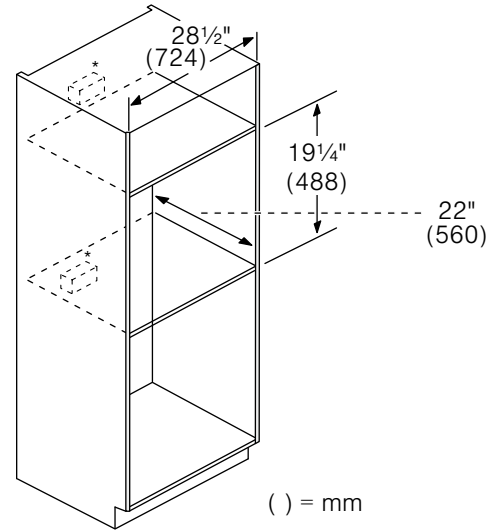


## Appliance Dimensions



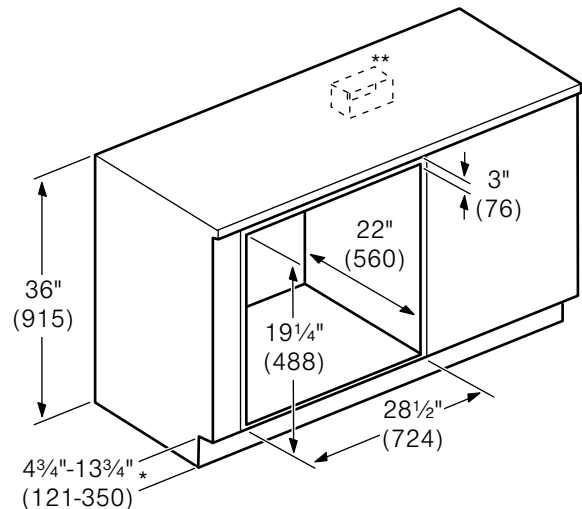
## Cabinet Dimensions

### Wall installation



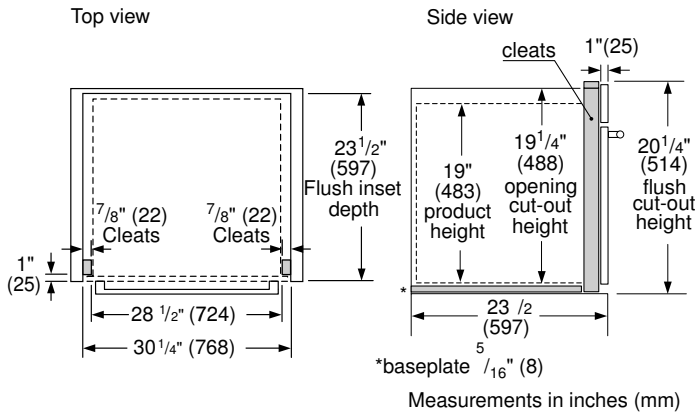
**NOTICE:** The cabinet base must be flat and capable of supporting a weight of at least 142 lbs (64.1 kg).

### Under counter installation





## Flush installation



Flush installation also requires:

- two side cleats to be attached inside the cabinet frame, recessed from the front
- a 5/16" (8 mm) baseplate underneath the unit body.

## Electrical Installation - GROUNDING INSTRUCTIONS

The model stated on the front cover is dual-rated, designed to be connected to either 208 or 240V AC, 60 Hz, 4-wire, single-phase power supply.

### ⚠ WARNING

When connected to a 4 or 5-wire, 120/208-Volt 3-phase power supply, the phase C conductor is not required for the operation of the appliance.

Model	Connection	Circuit Requirements
MC30WP	4 wire conduit cable	208 V, 16 Amps 60 Hz
		240 V, 16 Amps 60 Hz

The electrical supply should be a 4-wire single-phase AC. Install a suitable conduit box (not furnished). An appropriately-sized, UL-listed conduit connector must be used to correctly attach the conduit to the junction box.

### ⚠ WARNING

Local codes may vary; installation, electrical connections and grounding must comply with all applicable local codes.

If local codes permit grounding through the electrical supply neutral, connect both the white neutral wire and the bare ground wire from the oven to the white neutral electrical supply wire.

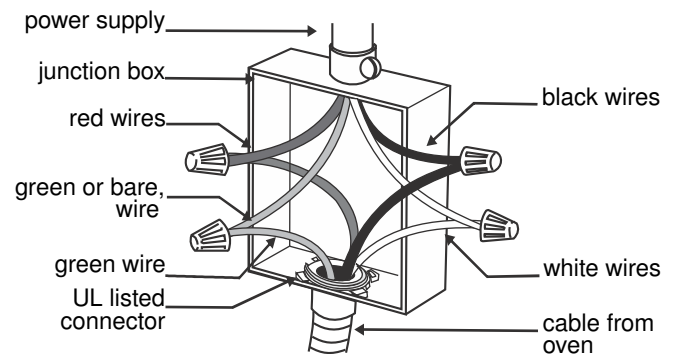
## Electrical Connection

The four-wire connection is preferred, but where local codes permit, the three wire connection is also acceptable.

### ⚠ WARNING

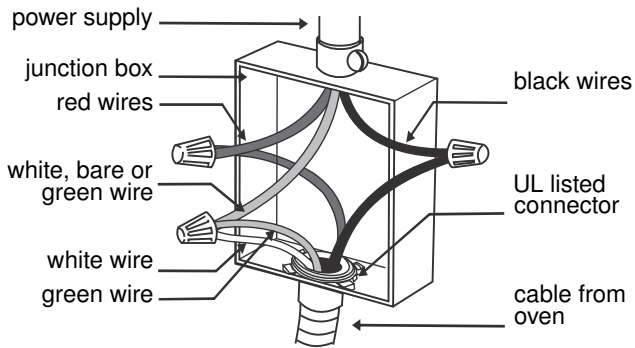
When connected to a 4 or 5-wire, 120/208-Volt 3-phase power supply, the phase C conductor is not required for the operation of the appliance.

## Four-wire Connection



- Connect the red oven wire to the red electrical supply wire (hot wire).
- Connect the black oven wire to the black electrical supply wire (hot wire).
- Connect the white neutral oven wire to the white neutral (not bare or green ground) electrical supply wire.
- Connect the green ground oven wire to the bare or green ground electrical supply wire.

## Three-wire Connection



- Connect red wire from oven to red wire in junction box.
- Connect black wire from oven to black wire in junction box.
- Connect both green ground wire and white wire from oven to white, green or bare neutral wire in junction box.

The conduit cable, when connected at the oven, swivels. Rotate conduit cable upward (or downward) and direct through hole prepared in cabinet to attach to junction box.

To maintain serviceability, the flex conduit must not be shortened and should be routed to permit temporary removal of the oven.

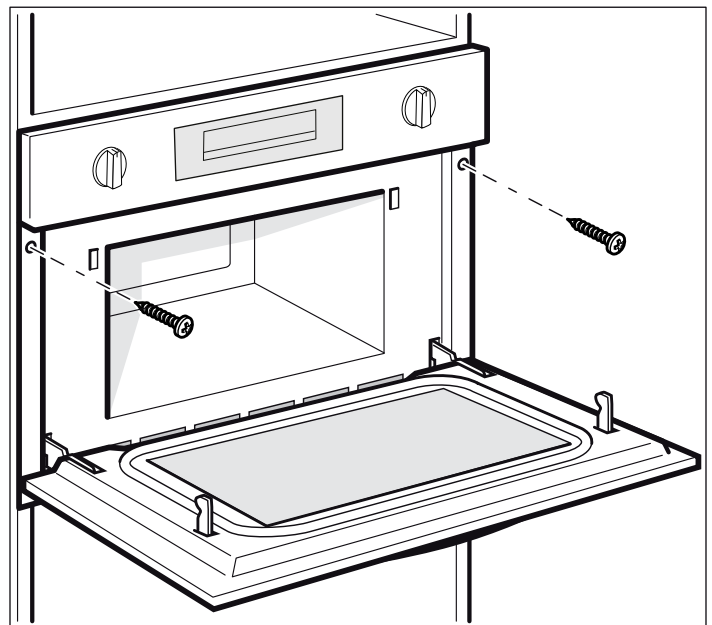
## Install Appliance

**Note:** The appliance is heavy. It is advisable to install it with a second person.

**NOTICE:** Before installing the appliance, be sure to verify the cabinet dimensions and electrical connections.

### Mount to Cabinet

1. Fully insert the appliance and center it. Do not kink the electrical cable.
2. Screw the appliance into place.



## Testing Operation

1. Turn on power at the breaker.
2. Check power at junction box using a volt meter.  
For 240 V installation, the reading between the red and black wires (line to line) should be 220 to 240 volts.  
For 208 V installation, the reading between the red and black wires (line to line) should be 190 to 208 volts.
3. Test the oven mode:  
Select "True Convection" mode. See the Use and Care Guide for detailed instructions on how to do this.  
**NOTICE:** Never run the microwave unless there is food or water in the oven cavity.
4. Verify that the oven light comes on and the oven begins to preheat.
5. Test the microwave:  
Place a cup of water into the oven cavity. Follow the instructions in the Use and Care Guide on how to heat a beverage.
6. Verify that the oven light comes on and the water is heated.
7. If any of the tests do not result as explained above, contact Service for assistance. Otherwise, the installation is complete at this time.

# THERMADOR® Support

## Before Calling Service

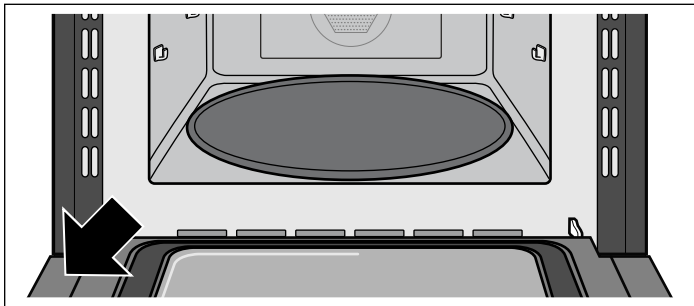
See the Use and Care Guide for troubleshooting information, see section “Before Calling Service”. Refer to the “Statement of Limited Product Warranty” in the Use and Care Guide.

To reach a service representative, see the contact information at the front of the guide or in the following section. Please be prepared with the information printed on your product data plate prior to calling.

## Data Plate

The data plate shows the model and serial number. Refer to the data plate on the appliance when requesting service.

The data plate can be found on the inside of the appliance door.



To avoid having to search for each piece of information when calling, you can enter the four items needed in the spaces provided below.

<b>Model No.</b>
<b>FD-No.</b>
<b>Date of Purchase</b>
<b>Customer Service</b> ☎

Keep your invoice or escrow papers for warranty validation if service is needed.

## Service

We realize that you have made a considerable investment in your kitchen. We are dedicated to supporting you and your appliance so that you have many years of creative cooking.

Please do not hesitate to contact our STAR® Customer Support Department if you have any questions or in the unlikely event that your THERMADOR® appliance needs service. Our service team is ready to assist you.

### USA

800-735-4328

[www.thermador.com/support](http://www.thermador.com/support)

### Canada

800-735-4328

[www.thermador.ca](http://www.thermador.ca)

## Parts and Accessories

Parts, filters, descalers, stainless steel cleaners and more can be purchased in the THERMADOR® eShop or by phone.

### USA

<http://store.thermador.com/us>

### Canada

- If you live in any of the Atlantic provinces, Ontario, or Québec contact:

#### **Marcone**

1.800.287.1627

- If you live in any of the Territories, Manitoba, Saskatchewan, Alberta, or British Columbia contact:

#### **Reliable Parts**

1.800.663.6060

# Table de MATIÈRES

Définitions de sécurité .....	13
<b>CONSIGNES DE SÉCURITÉ IMPORTANTES .....</b>	<b>14</b>
Sécurité de manutention des appareils .....	14
Codes et normes de sécurité .....	14
Sécurité électrique .....	14
Sécurité des micro-ondes .....	14
Équipement de sécurité .....	15
Avertissement issue de la proposition 65 de l'État de la Californie .....	15
<b>Avant de commencer .....</b>	<b>16</b>
Outils et pièces nécessaires .....	16
Pièces comprises .....	16
Exigences électriques .....	16
<b>Liste de contrôle pour l'installation .....</b>	<b>16</b>
<b>Pour enlever l'emballage .....</b>	<b>16</b>
<b>Exigences en matière de dimensions et d'armoire ...</b>	<b>17</b>
Exigences générales concernant le meuble .....	17
Zone de la prise de courant .....	17
Dimensions de l'appareil .....	17
Dimensions de la découpe des armoires .....	17
<b>Installation électrique - INSTRUCTIONS DE MISE À LA TERRE .....</b>	<b>18</b>
Raccordement électrique .....	18
Raccordement à quatre fils .....	19
Raccordement à trois fils .....	19
<b>Installation de l'appareil .....</b>	<b>19</b>
Fixation à l'armoire .....	19
<b>Opération d'essai .....</b>	<b>20</b>
<b>Soutien THERMADOR® .....</b>	<b>21</b>
Avant d'appeler le service de réparations .....	21
Plaque signalétique .....	21
Dépannage .....	21
Pièces et accessoires .....	21

*Cet appareil électroménager  
de THERMADOR*  
est fait par BSH Home Appliances Ltd.  
6696 Financial Drive, Unit 3  
Mississauga, ON L5N 7J6

*Question ?*

1-800-735-4328

[www.thermador.ca](http://www.thermador.ca)

*Nous attendons de vos nouvelles.*

---

# Définitions de sécurité

---

## **▲ AVERTISSEMENT**

---

Ceci indique que le non-respect de cet avertissement peut entraîner des blessures graves, voire la mort.

---

---

## **▲ ATTENTION**

---

Ceci indique que le non-respect de cet avertissement peut entraîner des blessures légères ou de gravité moyenne.

---

**AVIS :** Ceci indique que la non-conformité à cet avis de sécurité peut entraîner des dégâts matériels ou endommager l'appareil.

**Remarque :** Ceci vous signale des informations et/ou indications importantes.



# **CONSIGNES DE SÉCURITÉ IMPORTANTES**

## LISEZ TOUTES LES INSTRUCTIONS AVANT D'UTILISER L'APPAREIL

INSTALLATEUR : LAISSEZ CES INSTRUCTIONS AVEC L'APPAREIL APRÈS UNE FOIS L'INSTALLATION TERMINÉE.

IMPORTANT : CONSERVER CES INSTRUCTIONS POUR L'USAGE DE L'INSPECTEUR ÉLECTRIQUE LOCAL.

---

### AVERTISSEMENT

---

Si l'information de ce guide n'est pas suivie exactement, il peut en résulter un incendie ou un choc électrique causant des dommages à la propriété, des blessures ou la mort.

---

### AVERTISSEMENT

---

Ne réparez, remplacez, ni ne retirez aucune partie de l'appareil, excepté si les manuels recommandent de le faire. Une installation, un entretien ou une inspection incorrects peuvent occasionner des blessures ou des dommages matériels. Reportez-vous au présent manuel pour obtenir des indications. Toute autre intervention doit être effectuée par un technicien agréé.

---

### Sécurité de manutention des appareils

Cet appareil est lourd et il faut au moins deux personnes ou l'équipement approprié pour le déplacer.

Ne pas soulever l'appareil par la poignée de la porte.

Certaines surfaces peuvent avoir des bords tranchants. Faire attention en étendant le bras derrière l'appareil ou en dessous.

---

### Codes et normes de sécurité

Cet appareil est conforme aux plus récentes versions de l'une ou plus des normes suivantes :

- CAN/CSA C22.2 No. 61 - Cuisinières pour usage ménager (Household Cooking Ranges)
- UL 858 - Cuisinières électriques domestiques (Household Electric Ranges)
- CAN/CSA C22.2 No. 150 - Fours à micro-ondes (Microwave Ovens)
- UL 923 - Appareils de cuisson à micro-ondes (Microwave Cooking Appliances)
- UL 507 - Ventilateurs électrique (Electric Fans)
- CAN/CSA C22.2 No. 113 - Ventilateurs et soufflantes (Fans and Ventilators)
- CSA C22.2 No. 64 - Appareils de cuisson domestique et de chauffage des liquides (Household Cooking and Liquid-Heating Appliances)
- UL 1026 - Appareils électriques domestiques pour la cuisson et la préparation des aliments (Electric Household Cooking and Food Serving Appliances)

Il incombe au propriétaire et à l'installateur de déterminer si des exigences et/ou normes additionnelles s'appliquent pour des installations spécifiques.

### Sécurité électrique

---

#### AVERTISSEMENT

---

Avant tout raccordement de cordon électrique ou toute mise sous tension, assurez-vous que toutes les commandes sont en position OFF (d'arrêt).

---

#### AVERTISSEMENT

---

L'appareil doit être débranché de la source d'alimentation électrique avant d'être installé.

Pour les appareils dotés d'un cordon et d'une fiche, ne pas couper ou enlever la broche de mise à la terre. Le cordon doit être branché dans une prise de courant adaptée de type mise à la terre pour éviter tout risque d'électrocution. S'il y a un doute en ce qui concerne la mise à la terre de la prise murale, le client devra s'adresser à un électricien qualifié.

S'il y a lieu, conformément au Code national de l'électricité (ou au Code canadien de l'électricité), cet appareil doit être installé sur un circuit de dérivation séparé.

Installateur – Indiquer au propriétaire l'emplacement du disjoncteur ou du fusible. Identifier sa position pour pouvoir le retrouver facilement.

Avant l'installation, mettre l'appareil hors service au panneau de service. Verrouiller le panneau d'entrée d'électricité pour éviter que le courant ne soit accidentellement rétabli.

S'assurer que l'appareil est installé et mis à la terre par un technicien qualifié. L'installation, les connexions électriques et la mise à la terre doivent être conformes à tous les codes applicables.

---

### Sécurité des micro-ondes

PRÉCAUTIONS À SUIVRE AVANT ET PENDANT L'ENTRETIEN POUR ÉVITER TOUT RISQUE D'EXPOSITION AUX MICRO-ONDES

- Ne pas utiliser ou ne pas permettre l'utilisation du four avec la porte ouverte.
- Effectuer les vérifications de sécurité suivantes sur tous les fours faisant l'objet d'un entretien avant d'activer la magnétron ou autre source micro-ondes, et effectuer les réparations selon le besoin :

1. Fonctionnement de l'interverrouillage
2. Fermeture appropriée des portes
3. Joint d'étanchéité et surfaces étanches (production d'arcs électriques, usure et autres dommages)
4. Dommages aux charnières et loquet ou leur desserrement
5. Signe de chute ou d'abus

- Avant de mettre sous tension le micro-ondes pour tout test de service ou inspection dans les compartiments générateurs de micro-ondes, vérifier le magnétron, le

# **CONSIGNES DE SÉCURITÉ IMPORTANTES**

## LISEZ TOUTES LES INSTRUCTIONS AVANT D'UTILISER L'APPAREIL

guide d'onde ou la ligne de transmission, et la cavité pour l'alignement, intégrité, raccordement approprié.

- Tout composant endommagé ou mal réglé dans l'interverrouillage, moniteur, joint d'étanchéité de porte et système de génération et de transmission de micro-ondes doit être réparé, remplacé ou réglé selon les procédures décrites dans ce manuel avant que le four ne puisse être remis à son propriétaire.
- Une vérification de fuite de micro-ondes pour vérifier la conformité avec les normes de rendement fédérales doit être effectuée sur chaque four avant sa remise au propriétaire.

### **INSTRUCTIONS DE MISE À LA TERRE**

Cet appareil doit être mis à la terre. En cas de court-circuit électrique, la mise à la terre réduira le risque de choc électrique en offrant au courant électrique un fil d'évacuation.

Cet appareil doit être mis à la terre. Raccordez l'appareil uniquement à une prise de courant correctement mise à la terre. → *"Installation électrique - INSTRUCTIONS DE MISE À LA TERRE" à la page 18*

---

### **AVERTISSEMENT**

Une mise à la terre inadéquate peut entraîner un risque d'électrocution. Consultez un électricien qualifié si vous ne comprenez pas parfaitement les instructions de mise à la terre ou si vous avez des doutes quant à la qualité de mise à la terre. N'utilisez pas de rallonge. Si le cordon d'alimentation est trop court, demandez à un électricien ou un technicien qualifié d'installer une prise à proximité de l'appareil.

---

### **Pour tous les appareils avec un cordon d'alimentation :**

Cet appareil est muni d'un cordon électrique comportant un conducteur de terre et une prise de mise à la terre. La fiche doit être branchée dans une prise qui a été installée et mise à la terre de façon appropriée.

### **Pour tous les appareils raccordés en permanence :**

Cet appareil doit être raccordé à un système de câblage métallique permanent avec mise à la terre ou un conducteur de mise à terre devrait être utilisé avec les conducteurs de circuit et raccordé au terminal de mise à la terre ou à la conduite sur l'appareil.

### **Équipement de sécurité**

Enlever le ruban adhésif et l'emballage avant d'utiliser l'appareil. Détruire l'emballage après avoir déballé l'appareil. Ne jamais laisser les enfants jouer avec les matériaux de conditionnement.

Ne jamais modifier ni altérer la configuration de l'appareil. Par exemple, ne pas retirer les pieds de nivellement, les panneaux, les couvercles de câblage ou les fixations/vis antibasculement.

### **Avertissement issue de la proposition 65 de l'État de la Californie :**

---

#### **AVERTISSEMENT**

---

Ce produit peut vous exposer à des produits chimiques, comme du chlorure de vinyle, reconnus par l'État de la Californie comme causant le cancer, des malformations congénitales ou d'autres effets nocifs sur la reproduction. Pour de plus amples renseignements, consultez [www.P65Warnings.ca.gov](http://www.P65Warnings.ca.gov).

---

---

# Avant de commencer

## Outils et pièces nécessaires

- Tournevis cruciforme
- Mèche de 1/8 po (3 mm) et perceuse
- Ruban à mesurer
- Couteau

## Pièces comprises

- Four à micro-ondes
- Vis à tête Philips

## Exigences électriques

La prise doit être correctement reliée à la terre selon tous les codes applicables.

Il peut être installé dans le mur arrière directement derrière l'appareil.

Vous pouvez également raccorder votre appareil directement à un four intégré conventionnel compatible. Voyez les instructions séparées des appareils combinés.

---

# Liste de contrôle pour l'installation

Utilisez cette liste de contrôle pour vérifier que vous avez terminé chaque étape du processus d'installation. Cela peut vous aider à éviter des erreurs.

Voyez les instructions détaillées pour chaque étape dans les sections suivant cette liste de contrôle.

1. Avant d'installer l'appareil, assurez-vous de vérifier que les dimensions du caisson sont correctes pour votre appareil et que les connexions électriques requises sont présentes. Assurez-vous que le conduit électrique fourni sur l'appareil est en mesure de joindre le point de raccordement.

*Section : Exigences sur les dimensions et le caisson*

2. Déplacez l'appareil devant l'avant de l'ouverture du caisson.

*Section : Retrait de l'emballage*

3. Retirez les matériaux d'emballage, en laissant l'emballage du fond de l'appareil pour éviter d'endommager le plancher.

*Section : Retrait de l'emballage*

4. L'équipe soulève l'appareil directement dans la découpe du caisson.

*Section : Installation de l'appareil, « Montage sur le caisson »*

5. Glissez l'appareil en place complètement.

*Section : Installation de l'appareil, « Montage sur le caisson »*

6. Fixez l'appareil dans l'ouverture du caisson avec les vis fournies.

*Section : Installation de l'appareil, « Montage sur le caisson »*

Lisez et suivez toujours les instructions d'installation complètes contenues dans ce manuel.

---

# Pour enlever l'emballage

**AVIS :** Pour éviter d'endommager le plancher, laissez l'unité dans la portion inférieure de l'emballage jusqu'au moment de le placer dans l'ouverture de l'armoire. Ne pas faire glisser l'unité sur le plancher.

Différents modèles utilisent des matériaux d'emballage différents. La bride reste dans le socle d'emballage.

1. Coupez les sangles à l'extérieur de la boîte, le cas échéant. Retirez-les et ouvrez le dessus de la boîte.
2. Retirez les accessoires et les manuels, refermez la boîte.
3. Coupez le loin de la ligne pointillée près de la base de la boîte.
4. Soulevez la boîte.
5. Retirez tous les cartons et les supports en styromousse sur le dessus et les côtés.
6. Placez le four devant les armoires où il sera installé.

**AVIS :** Pour éviter d'endommager le four à micro-ondes, ne saisissez pas ou n'utilisez pas la porte ou la poignée de porte pendant que le four à micro-ondes est manipulé.

# Exigences en matière de dimensions et d'armoire

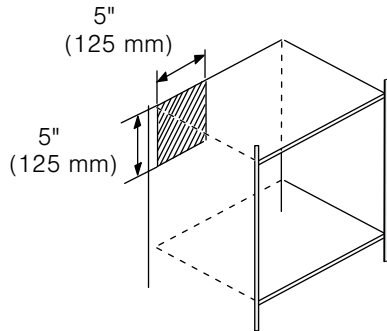
## Exigences générales concernant le meuble

- Un espace de  $\frac{1}{4}$  po (6,4 mm) entre le côté de l'appareil électroménager et un mur adjacent ou une porte d'armoire est nécessaire pour une installation à l'extrémité d'une série d'armoires.
- La base de l'armoire doit être plane et en mesure de soutenir le poids de l'appareil électroménager lorsqu'il est en utilisation. Pour les unités combinées, consultez la section *Exigences sur les dimensions de l'armoire* dans le manuel d'installation de l'appareil électroménager combiné.
- La porte de l'appareil électroménager chevauchera le meuble dessous par près de  $\frac{3}{16}$  po (5 mm) à son ouverture. Au besoin, vous pouvez relever l'appareil électroménager en ajoutant un panneau de l'épaisseur requise sur le haut de la base d'appui. La base d'appui doit être de niveau et fixée solidement à l'armoire.

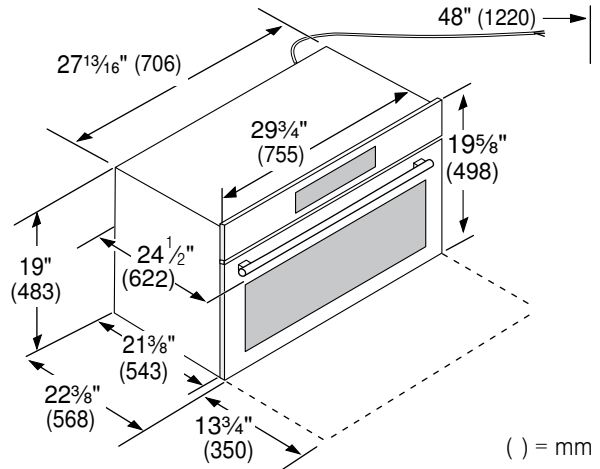
## Zone de la prise de courant

Dans toute la zone ombrée, la distance minimale entre l'appareil et le mur doit être de  $1\frac{3}{4}$  po (45 mm)..

- Pour une installation autonome, la boîte de connexion électrique doit être montée sur le mur à l'intérieur de la cavité de l'armoire à n'importe quel endroit de la zone ombrée.
- Pour une installation dans le cadre d'une installation combinée de divers appareils électroménagers THERMADOR, veuillez consulter le manuel d'installation de l'unité combinée.

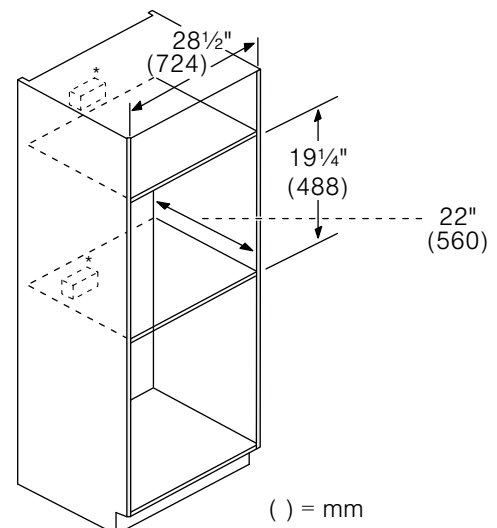


## Dimensions de l'appareil



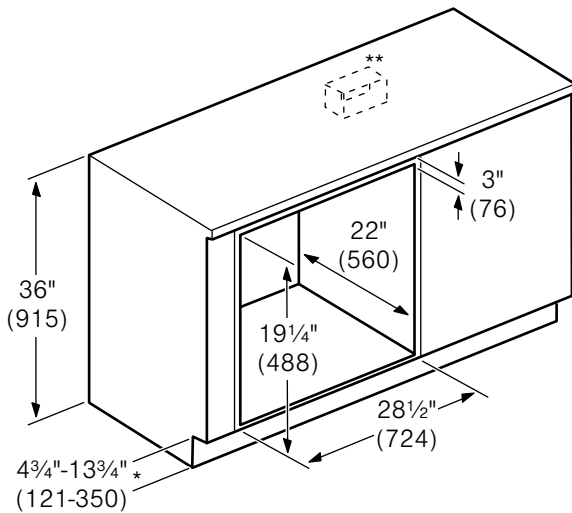
## Dimensions de la découpe des armoires

### Installation murale

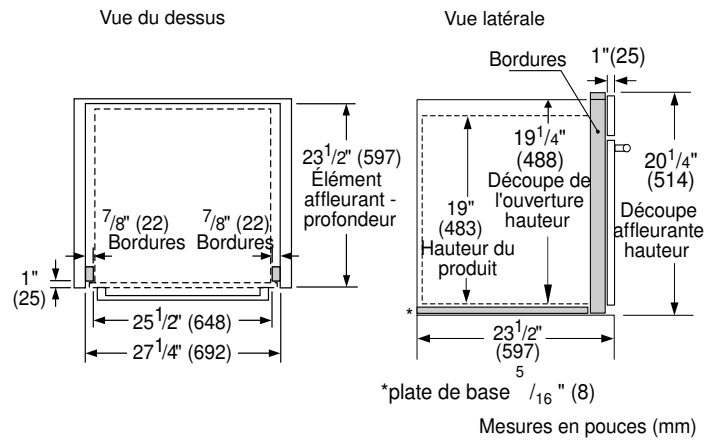


**AVIS :** Le socle du coffret doit être plate et apte à soutenir un poids d'au moins 142 lbs (64.1 kg).

## Installation sous le plan de travail



## Installation affleurante



Une installation affleurante nécessite également :

- deux cales latérales fixées à l'intérieur du cadre de l'armoire, décalées de l'avant
- une plaque de base de  $\frac{5}{16}$ " (8 mm) sous la partie principale de l'appareil.

## Installation électrique - INSTRUCTIONS DE MISE À LA TERRE

Le modèle figurant sur la couverture avant est à deux alimentations et est conçu pour être raccordé à une source d'alimentation 208/240 V CA, 60 Hz, 4 fils, monophasée.

### ▲ AVERTISSEMENT

Pour un raccordement à une source d'alimentation triphasée de 120/208 V à 4 ou 5 fils, le conducteur de phase C n'est pas requis pour faire fonctionner l'appareil.

Modèle	Connexion	Circuit Exigences	
MC30WP	Conduit de câbles à 4 fils	208 V,	16 A
		60 Hz	
		240 V,	16 A
		60 Hz	

La source d'alimentation devrait être une source monophasée à CA à 4 fils. Installer une boîte de connexions convenable (non fournie). Un connecteur de raccord de taille appropriée homologué UL doit être utilisé pour fixer correctement le raccord à la boîte de jonction.

### ▲ AVERTISSEMENT

Les codes locaux peuvent varier; l'installation, les branchements électriques et la mise à la terre doivent se conformer à tous les codes locaux applicables.

Si les codes locaux autorisent la mise à la terre au moyen d'un point neutre d'alimentation électrique, connectez à la fois le fil neutre blanc et le fil de terre dénudé du four au fil d'alimentation électrique neutre blanc.

### Raccordement électrique

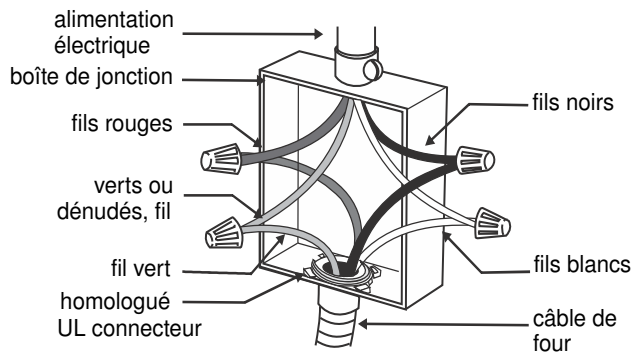
La connexion de circuit terminal à 4 fils est recommandée, mais là où les codes le permettent, la connexion à 3 fils est acceptable.

### ▲ AVERTISSEMENT

Pour un raccordement à une source d'alimentation triphasée de 120/208 V à 4 ou 5 fils, le conducteur de phase C n'est pas requis pour faire fonctionner l'appareil.

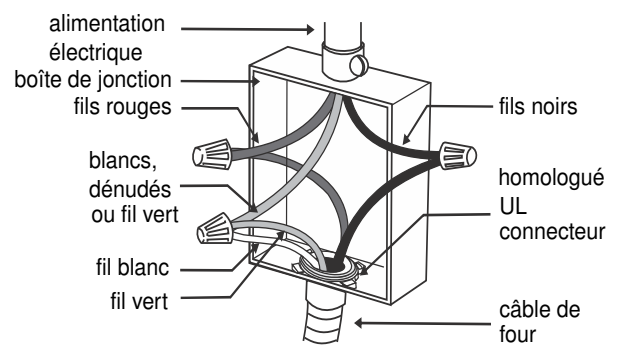


## Raccordement à quatre fils



- Raccordez le fil rouge du four au fil d'alimentation électrique rouge (fil sous tension).
- Raccordez le fil noir du four au fil d'alimentation électrique noir (fil sous tension).
- Raccordez le fil neutre blanc du four au fil d'alimentation électrique neutre blanc (pas au fil de mise à la terre nu ou vert).
- Raccordez le fil de mise à la terre vert du four au fil de mise à la terre nu ou vert de l'alimentation électrique.

## Raccordement à trois fils



- Raccordez le fil rouge du four au fil rouge dans la boîte de raccordement.
- Raccordez le fil noir du four au fil noir dans la boîte de raccordement.
- Branchez le fil vert de mise à la terre et le fil blanc du four au fil blanc, vert ou dénudé mis à la terre dans la boîte de raccordement.

Le câble de raccordement, au niveau du four, pivote. Faites pivoter le câble de raccordement vers le haut (ou vers le bas) et faites passer celui-ci à travers le trou préparé dans l'armoire pour le fixer à la boîte de raccordement.

Pour faciliter l'entretien, le conduit flexible ne doit pas être raccourci et doit être acheminé de manière à faciliter le déplacement provisoire du four.

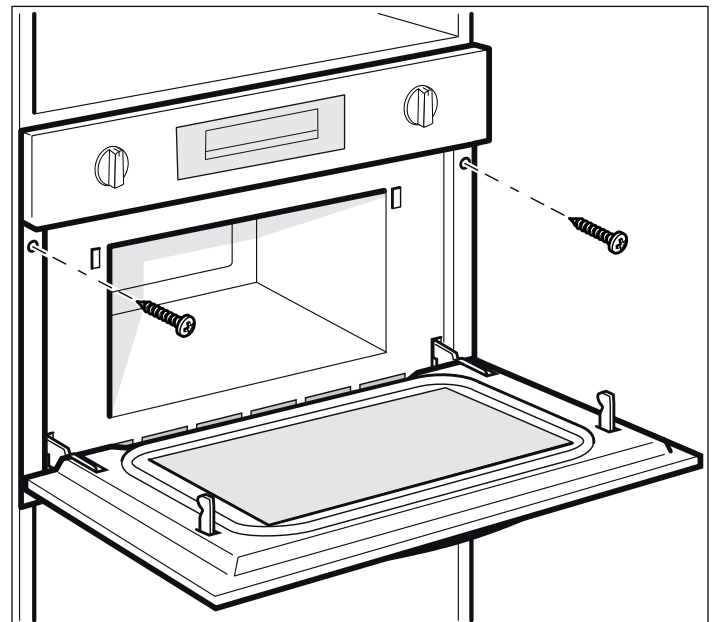
## Installation de l'appareil

**Remarque :** L'appareil est lourd. Pour l'insérer dans la découpe, faite-vous aider par une autre personne.

**AVIS :** Avant d'installer l'appareil, prenez soin de vérifier la dimension du coffret et les raccordements électriques.

### Fixation à l'armoire

1. Insérez à fond l'appareil et centrez-le. Ne coudez pas le câble électrique.
2. Visez l'appareil en place.



---

## Opération d'essai

1. Mettez sous tension au disjoncteur.
2. Vérifiez l'alimentation à la boîte de raccordement au moyen d'un voltmètre.  
Pour une installation de 240 V, la lecture entre les fils rouge et noir (ligne à ligne) devrait être de 220 à 240 volts.  
Pour une installation de 208 V, la lecture entre les fils rouge et noir (ligne à ligne) devrait être de 190 à 208 volts.
3. Essayez le mode four.  
Sélectionnez le mode « Convection naturelle ».  
Consultez le Guide d'utilisation et d'entretien pour les instructions de fonctionnement détaillées.  
**AVIS :** Ne faites jamais fonctionner le micro-ondes à moins que la cavité du four ne contienne des aliments ou de l'eau.
4. Vérifiez que l'éclairage du four s'allume et que le four se met à préchauffer.
5. Mettre à l'essai le micro-ondes :  
Placez une tasse d'eau dans la cavité du four. Suivez les instructions dans le Guide d'utilisation et d'entretien pour savoir comment chauffer une boisson.
6. Assurez-vous que l'éclairage du four s'allume et que l'eau est chauffée.
7. Si l'un des tests n'aboutit pas comme prévu ci-dessus, communiquez avec le service pour obtenir de l'aide. Sinon, l'installation est terminée à ce moment-ci.

# Soutien THERMADOR®

## Avant d'appeler le service de réparations

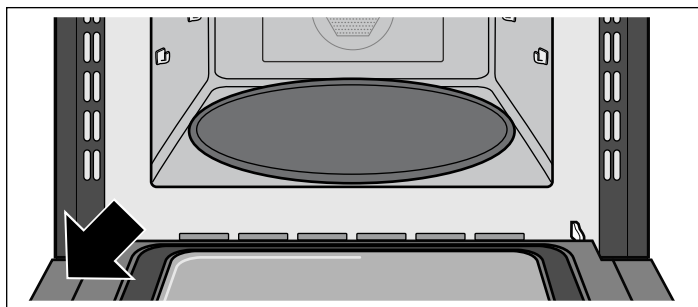
Voyez le Guide d'utilisation et d'entretien pour les renseignements de dépannage, voir la section « Dépannage ». Consultez l'énoncé de garantie limitée du produit du Guide d'utilisation et d'entretien.

Pour communiquer avec un représentant en réparations, consultez les coordonnées au début du Guide ou dans la section qui suit. Lorsque vous téléphonez, soyez prêt à fournir les informations imprimées sur la plaque signalétique du produit.

## Plaque signalétique

La plaque signalétique affiche le modèle et le numéro de série. Consultez la plaque signalétique de l'appareil lorsque vous sollicitez un service.

La plaque signalétique se trouve à l'intérieur de la port de l'appareil.



Pour ne pas avoir à chercher longtemps en cas de besoin, vous pouvez inscrire ici les références de l'appareil et le numéro de téléphone du service après-vente

---

**N° de modèle**

---

**N° FD**

---

**Date d'achat**

---

**Service après-vente** ☎

---

Conservez votre facture ou votre contrat aux fins de validation de garantie si jamais vous avez besoin de service.

## Dépannage

Nous sommes conscients que vous avez investi des sommes considérables dans votre cuisine. Nous nous engageons à vous offrir, ainsi qu'à votre appareil, un service de dépannage qui vous permettra de profiter de votre cuisine pendant de nombreuses années.

N'hésitez pas à communiquer avec notre service à la clientèle STAR® si vous avez des questions ou dans l'éventualité peu probable où votre appareil THERMADOR® nécessiterait de l'entretien. Notre équipe de dépannage se fera un plaisir de vous aider.

### États-Unis

800-735-4328

[www.thermador.com/support](http://www.thermador.com/support)

### Canada

800-735-4328

[www.thermador.ca](http://www.thermador.ca)

## Pièces et accessoires

Pour vous procurer des pièces, des filtres, du détartrant, des produits nettoyants pour l'acier inoxydable et autres, rendez-vous sur la boutique en ligne THERMADOR® ou communiquez avec nous par téléphone.

### États-Unis

<http://store.thermador.com/us>

### Canada

- Si vous résidez dans les provinces de l'Atlantique, en Ontario ou au Québec, communiquer avec :

#### **Marcone**

1.800-287-1627

- Si vous résidez dans un territoire, au Manitoba, en Saskatchewan, en Alberta ou en Colombie-Britannique, communiquer avec :

#### **Reliable Parts**

800-663-6060

# ÍNDICE

---

Definiciones de seguridad .....	23
<b>INSTRUCCIONES DE SEGURIDAD IMPORTANTES ...</b>	<b>24</b>
Seguridad de manejo del electrodoméstico .....	24
Códigos y normas de seguridad .....	24
Seguridad eléctrica .....	24
Seguridad con el microondas .....	24
Seguridad del equipo relacionado .....	25
Advertencia en virtud de la Proposición 65 del estado de California .....	25
<b>Antes de empezar .....</b>	<b>26</b>
Herramientas y piezas necesarias .....	26
Piezas incluidas .....	26
Requisitos de electricidad .....	26
<b>Lista de verificación de instalación .....</b>	<b>26</b>
<b>Quitar el embalaje .....</b>	<b>26</b>
<b>Dimensiones y requisitos del gabinete .....</b>	<b>27</b>
Requisitos generales del gabinete .....	27
Sección de la toma de corriente .....	27
Dimensiones del electrodoméstico .....	27
Dimensiones del hueco para el gabinete .....	27
<b>Instalación eléctrica - INSTRUCCIONES DE CONEXIÓN A TIERRA .....</b>	<b>28</b>
Conexión eléctrica .....	28
Conexión de cuatro cables .....	29
Conexión de tres cables .....	29
<b>Montaje del electrodoméstico .....</b>	<b>29</b>
Monte el electrodoméstico en el gabinete .....	29
<b>Funcionamiento de prueba .....</b>	<b>30</b>
<b>Soporte técnico de THERMADOR® .....</b>	<b>31</b>
Antes de llamar al servicio técnico .....	31
Placa de datos .....	31
Servicio técnico .....	31
Piezas y accesorios .....	31

*Este electrodoméstico de THERMADOR*

es hecho por  
BSH Home Appliances Corporation  
1901 Main Street, Suite 600  
Irvine, CA 92614

---

*¿Preguntas?*

1-800-735-4328

[www.thermador.com](http://www.thermador.com)

*¡Con gusto lo atenderemos!*

---

# Definiciones de seguridad

---

## **▲ ADVERTENCIA**

Esto indica que pueden producirse heridas graves o incluso la muerte si no se cumple con esta advertencia.

---

---

## **▲ ATENCION**

Esto indica que pueden producirse heridas leves o moderadas si no se cumple con esta advertencia.

---

**AVISO:** Esto indica que pueden producirse daños en el aparato o en los bienes si no se cumple con este aviso.

**Nota:** Esto alerta sobre información o sugerencias importantes.



# INSTRUCCIONES DE SEGURIDAD IMPORTANTES

## LEER TODAS LAS INSTRUCCIONES ANTES DE UTILIZAR EL APARATO

INSTALADOR: DEJE ESTAS INSTRUCCIONES CON EL ELECTRODOMÉSTICO CUANDO HAYA FINALIZADO LA INSTALACIÓN.

IMPORTANTE: CONSERVE ESTAS INSTRUCCIONES PARA USO DEL INSPECTOR DE ELECTRICIDAD LOCAL.

---

### ADVERTENCIA

Si no sigue la información de este manual exactamente, se puede ocasionar un incendio o una descarga eléctrica que puede causar daños materiales o lesiones personales.

---

### ADVERTENCIA

No reparar, sustituir ni quitar ninguna pieza del electrodoméstico a menos que se recomiende de forma específica en los manuales. Una instalación, servicio o mantenimiento inadecuados pueden causar lesiones o daños materiales. Consultar este manual para recibir ayuda. Todos los demás servicios debe realizarlos un agente autorizado.

---

## Seguridad de manejo del electrodoméstico

La unidad es pesada y se requieren al menos dos personas o un equipo adecuado para trasladarla. No levante el electrodoméstico tomándolo del asa de la puerta.

Las superficies ocultas pueden tener bordes filosos. Proceda con cuidado al intentar tomar el electrodoméstico por la parte trasera o desde abajo.

## Códigos y normas de seguridad

Este electrodoméstico cumple con la última versión de una o varias de las siguientes normas:

- CAN/CSA C22.2 No. 61 - Estufas de uso doméstico (Household Cooking Ranges)
- UL 858 - Estufas eléctricas de uso doméstico (Household Electric Ranges)
- CAN/CSA C22.2 N.º 150 - Hornos de microondas (Microwave Ovens)
- UL 923 - Electrodomésticos de cocción por microondas (Microwave Cooking Appliances)
- UL 507 - Ventiladores eléctricos (Electric Fans)
- CAN/CSA C22.2 No. 113 - Ventiladores (Fans and Ventilators)
- CSA C22.2 N.º 64 - Electrodomésticos para cocinar y para calentar líquidos de uso doméstico (Household Cooking and Liquid-Heating Appliances)
- UL 1026 - Electrodomésticos para cocinar y para servir alimentos eléctricos de uso doméstico (Electric Household Cooking and Food Serving Appliances)

Es responsabilidad del propietario y del instalador determinar si se aplican otros requisitos o normas en instalaciones específicas.

## Seguridad eléctrica

---

### ADVERTENCIA

Antes de enchufar un cable eléctrico o activar el suministro eléctrico, asegurarse de que todos los controles están en la posición OFF.

---

### ADVERTENCIA

Antes de la instalación debe desenchufarse el aparato de la fuente de alimentación.

Para los electrodomésticos equipados con cable y enchufe, no corte ni retire la espiga de conexión a tierra. Debe enchufarse en un receptáculo de conexión a tierra compatible para evitar descargas eléctricas. Si tiene alguna duda respecto de si el receptáculo de pared está correctamente conectado a tierra, el cliente debe solicitar la verificación de un electricista calificado.

Si el Código Nacional Eléctrico (o el Código Eléctrico Canadiense) así lo requiere, este electrodoméstico debe instalarse en un circuito derivado por separado.

El instalador debe mostrar al propietario la ubicación del disyuntor o el fusible. Márquela para recordarla más fácilmente.

Antes de realizar la instalación, apague la alimentación eléctrica en el panel de servicio. Trabe el panel de servicio para impedir que se encienda accidentalmente la alimentación eléctrica.

Asegúrese de que el electrodoméstico sea correctamente instalado y conectado a tierra por un técnico calificado. La instalación, las conexiones eléctricas y la conexión a tierra deben cumplir con todos los códigos correspondientes.

## Seguridad con el microondas

PRECAUCIONES QUE DEBE TENER EN CUENTA ANTES DEL SERVICIO TÉCNICO Y DURANTE ESTE PARA EVITAR LA POSIBLE EXPOSICIÓN A UN EXCESO DE ENERGÍA DE MICROONDAS

- No maneje ni permita que se maneje el horno con la puerta abierta.
- Realice los siguientes controles de seguridad en todos los hornos que necesitan servicio técnico antes de activar el magnetrón u otra fuente de microondas, y haga las reparaciones según corresponda:

1. Funcionamiento del enclavamiento
2. Cierre correcto de la puerta
3. Sellos y superficies sellantes (arcos eléctricos, desgaste y otros daños)

# INSTRUCCIONES DE SEGURIDAD IMPORTANTES

## LEER TODAS LAS INSTRUCCIONES ANTES DE UTILIZAR EL APARATO

4. Bisagras y trabas dañadas o sueltas
5. Evidencia de caídas o abuso
  - Antes de activar la alimentación eléctrica del microondas para realizar pruebas o inspecciones de servicio técnico en los compartimentos que generan microondas, verifique el magnetrón, la guía de onda luminosa o la línea de transmisión, y verifique que la alineación, la integridad y la conexión de la cavidad sean correctas.
  - Se deben reparar, reemplazar o ajustar todos los componentes dañados o mal ajustados de los sistemas de enclavamiento, monitoreo, sello de la puerta y generación y transmisión de microondas, según los procedimientos descritos en este manual, antes de devolver el horno a su propietario.
  - Se debe realizar en cada horno un control de fugas de microondas para verificar el cumplimiento con la Norma de Rendimiento Federal (Federal Performance Standard), antes de devolverlo a su propietario.

### INSTRUCCIONES PARA LA CONEXIÓN A TIERRA

Este aparato debe estar conectado a tierra. En caso de un cortocircuito eléctrico, la conexión a tierra reduce el riesgo de descarga eléctrica proporcionando un cable de escape para la corriente eléctrica.

Este aparato debe estar conectado a tierra. Conéctelo solo a una toma de corriente eléctrica correctamente conectada a tierra. → *"Instalación eléctrica - INSTRUCCIONES DE CONEXIÓN A TIERRA"* en la página 28

---

### ADVERTENCIA

La incorrecta conexión a tierra puede provocar un riesgo de descarga eléctrica. Consulte a un electricista calificado si no comprende la totalidad de las instrucciones de conexión a tierra o si tiene alguna duda respecto de si el aparato está correctamente conectado a tierra. No use un cable de extensión. Si el cable de alimentación eléctrica es demasiado corto, solicite a un electricista calificado que instale una toma de corriente cerca del aparato.

---

### Para todos los aparatos conectados por cable:

Este aparato viene equipado con un cable que tiene un alambre de conexión a tierra con un enchufe de conexión a tierra. El enchufe debe colocarse en una toma de corriente que esté instalada y conectada a tierra en forma adecuada.

### Para un aparato conectado de forma permanente

Este aparato debe estar conectado a un sistema permanente de cableado con toma a tierra, metálico, o debe tenderse un conductor de puesta a tierra de equipo con los conductores de circuito y conectarse a la terminal de tierra del equipo o al cable del aparato.

### Seguridad del equipo relacionado

Retire toda la cinta y el embalaje antes de usar el electrodoméstico. Destruya el embalaje después de desembalar el electrodoméstico. Nunca deje que los niños jueguen con el material de embalaje.

Nunca modifique ni altere la construcción del electrodoméstico. Por ejemplo, no retire las patas niveladoras, paneles, cubiertas para cables ni soportes/tornillos antivuelco.

### Advertencia en virtud de la Proposición 65 del estado de California:

---

#### ADVERTENCIA

---

Este producto puede exponerlo a sustancias químicas, incluyendo cloruro de vinilo, que el estado de California sabe que provocan cáncer, defectos congénitos u otro daño reproductivo. Para obtener más información, ir a la página web: [www.P65Warnings.ca.gov](http://www.P65Warnings.ca.gov).

---

---

# Antes de empezar

## Herramientas y piezas necesarias

- Destornillador con cabeza Phillips
- Taladro y broca de taladro de 1/8 pulg.
- Cinta métrica
- Cuchillo

## Piezas incluidas

- Horno microondas
- Tornillos con cabeza Phillips

## Requisitos de electricidad

La toma de corriente debe tener la conexión a tierra adecuada de conformidad con todos los códigos correspondientes.

Se puede instalar en la pared trasera, directamente detrás del aparato.

También puede conectar su aparato directamente a un horno encastrable convencional compatible. Consulte las instrucciones de combinación separadas.

---

# Lista de verificación de instalación

Use esta lista de verificación para verificar que haya completado cada paso del proceso de instalación. Esta lista puede ayudarlo a evitar errores.

Consulte las instrucciones detalladas para cada paso en las secciones que se encuentran a continuación de esta lista de verificación.

1. Antes de instalar el aparato, asegúrese de verificar que las medidas del gabinete sean correctas para su aparato y que estén presentes las conexiones eléctricas requeridas. Asegúrese de que el conducto eléctrico proporcionado en el aparato pueda llegar al punto de conexión.

*Sección: Requisitos de medidas y del gabinete*

2. Mueva el aparato a su lugar, en frente de la abertura del gabinete.

*Sección: Retiro del embalaje*

3. Retire los materiales de embalaje, pero deje el embalaje de la parte inferior en el aparato para evitar daños al piso.

*Sección: Retiro del embalaje*

4. Con ayuda, levante el aparato y colóquelo directamente en el hueco del gabinete.

*Sección: Instalación del aparato, "Montaje en el gabinete"*

5. Deslice completamente el aparato en su lugar.

*Sección: Instalación del aparato, "Montaje en el gabinete"*

6. Sujete el aparato en la abertura del gabinete con los tornillos suministrados.

*Sección: Instalación del aparato, "Montaje en el gabinete"*

Lea y siga siempre las instrucciones de instalación completas incluidas en este manual.

---

# Quitar el embalaje

**AVISO:** Para evitar que se dañe su piso, mantenga la unidad en su base de embalaje hasta que esté lista para ser colocada en la abertura del gabinete. No arrastre la unidad por el piso.

Los diversos modelos utilizan diferentes materiales de embalaje. La placa de fijación permanece en la base del embalaje.

1. Cortar las tiras en el exterior de la caja, si las hay, quitar las grapas y abrir la caja.
2. Sacar los accesorios y manuales, cerrar la caja.
3. Cortar por la línea de puntos cerca de la base de la caja.
4. Retirar la caja.
5. Retirar todo el cartón de la parte superior y lateral, así como los soportes de poliestireno.

6. Colocar el horno delante de los gabinetes donde se va a instalar.

**AVISO:** Para evitar daños al horno de microondas no agarre ni use la puerta así como tampoco la manija de la puerta mientras se está manejando el horno de microondas.

# Dimensiones y requisitos del gabinete

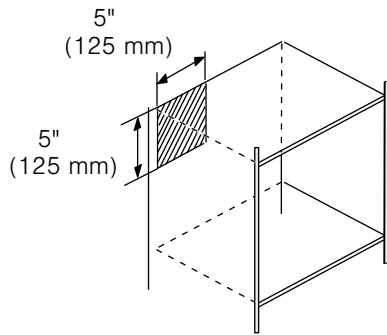
## Requisitos generales del gabinete

- Se debe dejar un espacio de  $\frac{1}{4}$ " (6.4 mm) entre el costado del electrodoméstico y una pared adyacente o una puerta de gabinete cuando se instala en el extremo de la serie de gabinetes.
- La base del gabinete debe ser plana y capaz de soportar el peso de su aparato cuando esté en uso. Para gabinetes combinados, consultar la sección *Requisitos de dimensiones de gabinetes* en el manual de instalación de su electrodoméstico combinado.
- Cuando esté abierta, la puerta del electrodoméstico sobresaldrá aproximadamente  $\frac{3}{16}$ " (5 mm). En caso necesario, puede añadir sobre la base de apoyo un panel del grosor requerido para elevar la posición del electrodoméstico. La base de apoyo debe estar nivelada y bien asegurada al gabinete.

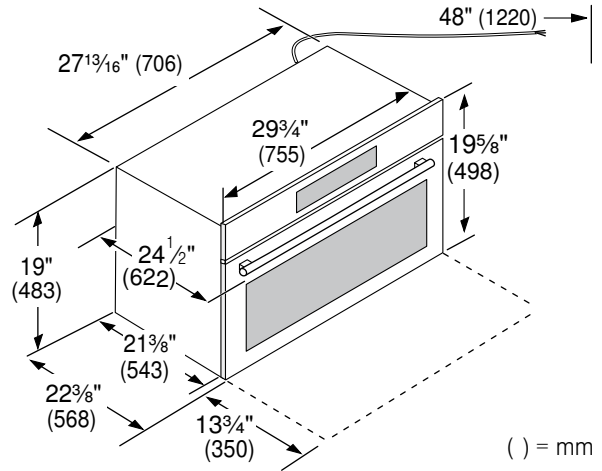
## Sección de la toma de corriente

Dentro del área sombreada, la distancia mínima entre el aparato y la pared es de  $1\frac{3}{4}$  pulgadas (45 mm).

- Para una instalación independiente, la caja de conexiones eléctrica debe estar montada en la pared interior de la cavidad del mueble en cualquier lugar dentro de la parte sombreada.
- Para su instalación como parte de un combinado de electrodomésticos de THERMADOR, consulte el manual de instalación del gabinete combinado.

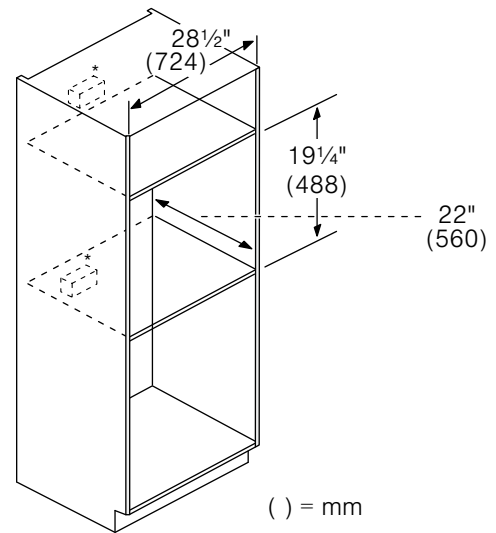


## Dimensiones del electrodoméstico



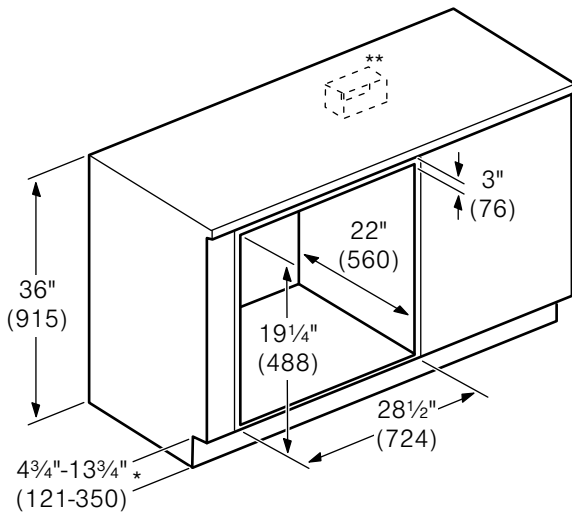
## Dimensiones del hueco para el gabinete

### Instalación de las paredes

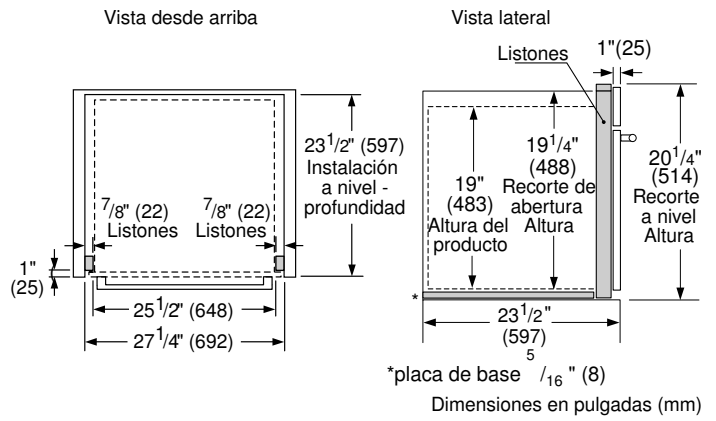


**AVISO:** La base del gabinete debe ser plana y capaz de sostener un peso de por lo menos 142 lb (64.1 kg).

## Instalación debajo de la barra



## Instalación a ras



La instalación a ras requiere también:

- dos refuerzos laterales a fijarse dentro del marco del gabinete, empotrados desde la parte delantera.
- una placa base de  $\frac{5}{16}$ " (8 mm) debajo del cuerpo de la unidad.

# Instalación eléctrica - INSTRUCCIONES DE CONEXIÓN A TIERRA

Es modelo mencionado en la tapa frontal es apto para dos valores de tensión y está diseñado para conectarse a una fuente de alimentación monofásica de 4 hilos y 60 Hz, de 208 V o bien de 240 V CA.

### ⚠ ADVERTENCIA

Si se conecta a una fuente de alimentación trifásica de 4 o 5 hilos y 120/208 V, el conductor de fase C no es necesario para el funcionamiento del aparato.

Modelo	Conexión	Circuito	Requisitos
MC30WP	Cable de conductos de 4 hilos	208 V,	16 A
		60 Hz	
		240 V,	16 A
		60 Hz	

El suministro eléctrico debe ser de CA monofásica, de 4 hilos. Instale una caja de conductos adecuada (no viene incluida). Debe utilizarse un conector de conductos de tamaño adecuado, incluido en el listado de UL para unir correctamente el conducto a la caja de empalme.

### ⚠ ADVERTENCIA

Los códigos locales pueden variar. La instalación, las conexiones eléctricas y la conexión a tierra deben cumplir con todos los códigos locales aplicables.

Si los códigos locales permiten hacer la conexión a tierra a través del cable neutro del suministro eléctrico, conecte el cable neutro blanco y el cable de conexión a tierra desnudo del horno al cable neutro blanco del suministro eléctrico.

### Conexión eléctrica

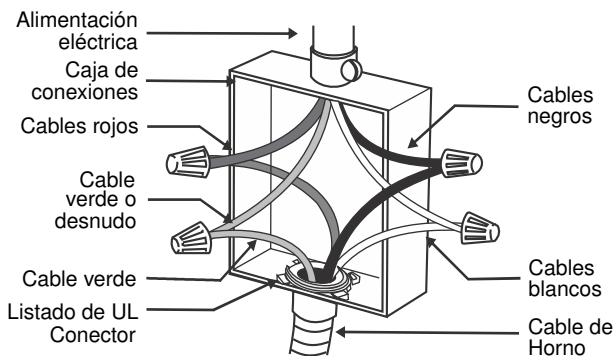
La conexión del circuito con cuatro hilos es preferible pero donde los códigos locales lo permiten, se acepta también una conexión con tres hilos.

### ⚠ ADVERTENCIA

Si se conecta a una fuente de alimentación trifásica de 4 o 5 hilos y 120/208 V, el conductor de fase C no es necesario para el funcionamiento del aparato.

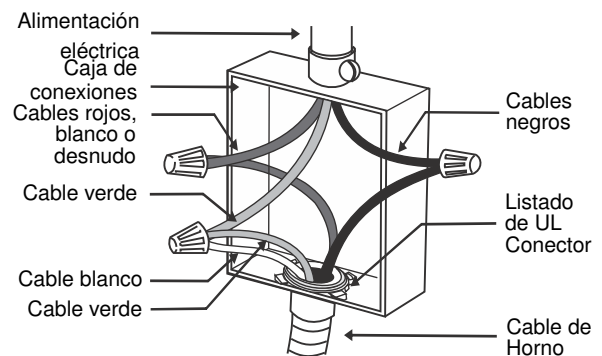


## Conexión de cuatro cables



- Conectar el cable rojo del horno al cable rojo del suministro eléctrico (cable con corriente).
- Conectar el cable negro del horno al cable negro del suministro eléctrico (cable con corriente).
- Conectar el cable neutro blanco del horno al cable neutro blanco del suministro eléctrico (no al cable de conexión a tierra desnudo o verde).
- Conectar el cable de conexión a tierra verde del horno al cable de conexión a tierra desnudo o verde del suministro eléctrico.

## Conexión de tres cables



- Conectar el cable rojo del horno al cable rojo en la caja de conexiones.
- Conectar el cable negro del horno al cable negro en la caja de conexiones.
- Conectar tanto el cable de conexión a tierra verde como el cable blanco del horno al cable neutro desnudo, blanco o verde en la caja de conexiones.

El cable del conduit, donde está conectado en el horno, gira. Girar el cable del conduit hacia arriba (o hacia abajo) y dirigirlo a través del orificio preparado en el gabinete para fijarlo en la caja de conexiones.

Para mantener la capacidad de servicio, el conduit flexible no se debe acortar y se debe extender para permitir la retirada temporal del horno.

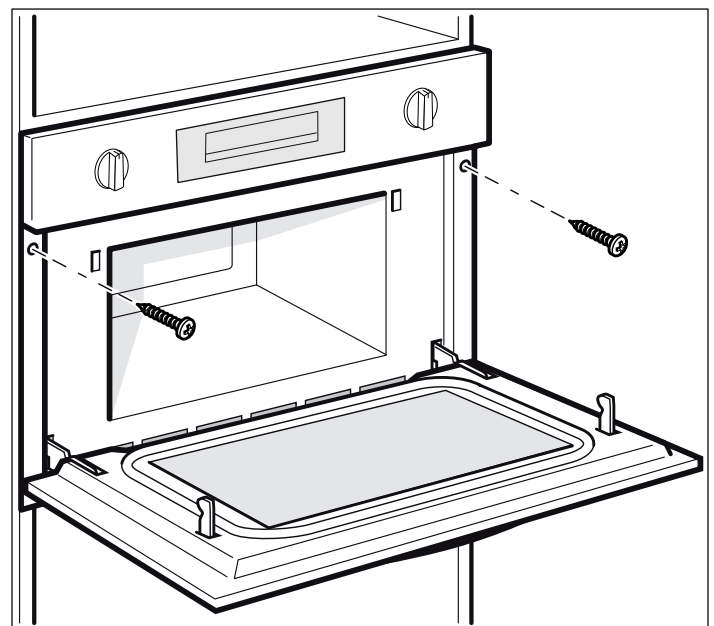
## Montaje del electrodoméstico

**Nota:** El aparato pesa demasiado. Se aconseja dos personas para insertarlo.

**AVISO:** Antes de instalar el aparato, asegúrese de verificar las dimensiones del gabinete y las conexiones eléctricas.

### Monte el electrodoméstico en el gabinete

1. Inserte el aparato por completo y céntralo. No pliegue el cable eléctrico.
2. Atornille el aparato en su lugar.



---

# Funcionamiento de prueba

1. Conectar la energía en el breaker de la casa.
2. Con un voltímetro, comprobar el voltaje en la caja de conexiones.  
Para una instalación de 240 V, la lectura entre los cables rojo y negro (línea a línea) debería estar entre 220 y 240 voltios.  
Para una instalación de 208 V, la lectura entre los cables rojo y negro (línea a línea) debería estar entre 190 y 208 voltios.
3. Probar el modo horno.  
Seleccionar el modo «True convection». Consultar la Guía de Uso y Cuidado para obtener instrucciones detalladas sobre cómo hacerlo.  
**AVISO:** Nunca haga funcionar el microondas, a menos que haya alimentos o agua en la cavidad del horno.
4. Verificar que la luz del horno se encienda y que el horno comience a precalentar.
5. Probar el microondas:  
Colocar una taza de agua en la cavidad del horno. Seguir las instrucciones en la Guía de Uso y Cuidado sobre cómo calentar una bebida.
6. Verificar que la luz del horno se encienda y que el agua se caliente.
7. Si alguna de las pruebas no resulta como se explicó anteriormente, contacte al servicio para obtener ayuda. O si todo está bien, la instalación se ha completado en este momento.

# Soporte técnico de THERMADOR®

## Antes de llamar al servicio técnico

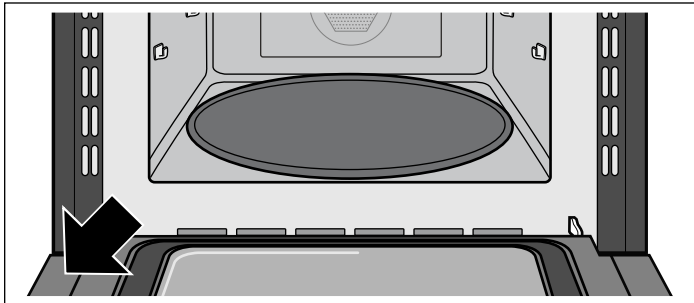
Para obtener información sobre resolución de problemas, consulte la Guía de uso y cuidado, ver la sección «Resolución de problemas». Consultar la «Declaración de garantía limitada del producto» en la Guía de uso y cuidado.

Para ponerse en contacto con un representante de servicio técnico, consultar la información de contacto en la portada de la guía o la siguiente sección. Antes de llamar, tener preparada la información que aparece en la placa de características del producto.

## Placa de datos

La placa de datos muestra el modelo y el número de serie. Al solicitar servicio técnico, consulte la placa de datos del aparato.

La placa de datos puede encontrarse en el interior de la puerta del aparato.



Para evitar tener que buscar los datos de su aparato cuando los precise, es aconsejable anotarlos aquí conjuntamente con el número de teléfono del Servicio de atención al cliente:

<b>Nº de modelo</b>
<b>Nº FD</b>
<b>Fecha de compra</b>
<b>Servicio de atención al cliente</b> ☎

Conserve su factura o los papeles de depósito para la validación de la garantía si necesita solicitar servicio técnico.

## Servicio técnico

Sabemos que usted ha realizado una inversión considerable en su cocina. Nos dedicamos a brindar apoyo técnico para usted y su electrodoméstico de manera que tenga muchos años de cocina creativa.

No dude en comunicarse con nuestro Departamento de Atención al Cliente de STAR® si tiene alguna pregunta o en el caso poco probable de que su electrodoméstico THERMADOR® necesite servicio técnico. Nuestro equipo de servicio técnico está listo para asistirlo.

### EE. UU.

800-735-4328

[www.thermador.com/support](http://www.thermador.com/support)

### Canadá

800-735-4328

[www.thermador.ca](http://www.thermador.ca)

## Piezas y accesorios

Puede comprar piezas, filtros, productos para eliminar el sarro, limpiadores para acero inoxidable y más artículos en la tienda electrónica de THERMADOR® o por teléfono.

### EE. UU.

<http://store.thermador.com/us>

### Canadá

- Si usted vive en alguna de las provincias atlánticas, Ontario o Quebec: contacte el

#### Marcone

1-800-287-1627

- Si usted vive en algún territorio, Manitoba, Saskatchewan, Alberta o Columbia Británica: contacte el

#### Reliable Parts

1-800-663-6060













1901 MAIN STREET, SUITE 600 IRVINE, CA 92614 // 1-800-735-4328 // WWW.THERMADOR.COM  
© 2018 BSH HOME APPLIANCES CORPORATION  
9001260298 en-us, es-mx, fr-ca 980305