

**Gaggenau**

Installation instructions.....2  
Notice de montage ..... 11  
Instrucciones de instalación.....21

# AR 400 742

Remote fan unit

Moteur

Módulo del ventilador

<b>⚠ Safety Definitions</b>	<b>2</b>
<b>IMPORTANT SAFETY INSTRUCTIONS</b>	<b>3</b>
Electric Safety	4
Appliance Handling Safety	4
Safety Codes and Standards	4
Related Equipment Safety	5
Proposition 65 Warning	5
<b>General Notes</b>	<b>6</b>
Ventilation line	6
Electrical requirements	6
For wall mounting: Checking the wall	6
<b>Before you begin</b>	<b>6</b>
Tools and parts needed	6
Parts included	6
Appliance dimensions	7
<b>Installing the appliance</b>	<b>7</b>
Connect appliance	8
Additional switching output	9
Connection for window contact switch AA 400 510	9
Networked operation	9
Connect Electrical Supply	10
Removing the appliance	10
<b>Customer service</b>	<b>10</b>

---

## **⚠ Safety Definitions**

---



---

### **⚠ WARNING**

This indicates that death or serious injuries may occur as a result of non-observance of this warning.

---



---

### **⚠ CAUTION**

This indicates that minor or moderate injuries may occur as a result of non-observance of this warning.

---

**NOTICE:** This indicates that damage to the appliance or property may occur as a result of non-compliance with this advisory.

**Note:** This alerts you to important information and/or tips.

# **IMPORTANT SAFETY INSTRUCTIONS**

## READ AND SAVE THESE INSTRUCTIONS

INSTALLER: LEAVE THESE INSTRUCTIONS WITH THE APPLIANCE AFTER INSTALLATION IS COMPLETE.

IMPORTANT: SAVE THESE INSTRUCTIONS FOR THE LOCAL ELECTRICAL INSPECTOR'S USE.

Examine the appliance after unpacking it. In the event of transport damage, do not plug it in.

---

### **WARNING**

If the information in this manual is not followed exactly, fire or shock may result causing property damage or personal injury.

---

### **WARNING**

Do not repair, replace or remove any part of the appliance unless specifically recommended in the manuals. Improper installation, service or maintenance can cause injury or property damage. Refer to this manual for guidance. All other servicing should be done by an authorized servicer.

---

### **WARNING**

**WARNING – TO REDUCE THE RISK OF FIRE, ELECTRIC SHOCK, OR INJURY TO PERSONS, OBSERVE THE FOLLOWING:**

- Installation work and electrical wiring must be done by qualified person(s) in accordance with all applicable codes and standards, including fire-rated construction.
- Sufficient air is needed for proper combustion and exhausting of gases through the flue (chimney) of fuel burning equipment to prevent back drafting. Follow the heating equipment manufacturer's guideline and safety standards such as those published by the National Fire Protection Association (NFPA), and the American Society for Heating, Refrigeration and Air Conditioning Engineers (ASHRAE), and the local code authorities.
- When cutting or drilling into wall or ceiling, do not damage electrical wiring and other hidden utilities.
- Ducted fans must always be vented to the outdoors.

---

### **WARNING**

The applicable regulations of the energy supply companies and the regional construction regulations must be observed when installing the hood.

---

### **WARNING**

#### **Risk of fire**

Operating several gas burners at the same time gives rise to a great deal of heat. The ventilation appliance may become damaged or catch fire. The ventilation appliance must only be combined with gas burners that do not exceed the maximum total output of 61,000 BTU/hr (18 kW). If 41,000 BTU/hr (12 kW) is exceeded, the local regulations concerning room ventilation, room size, and combination with ventilation devices in exhaust and recirculating operation must be followed.

---

### **WARNING**

To reduce risk of fire and to properly exhaust air, be sure to duct air outside. Do not vent exhaust air into spaces within walls, ceilings, attics, crawl spaces or garages.

---

### **WARNING**

To reduce the risk of fire, use only metal ductwork.

---

### **CAUTION**

For general ventilating use only. Do not use to exhaust hazardous or explosive materials and vapors.

This appliance is intended for normal family household use only. It is not approved for outdoor use. See the Statement of Limited Product Warranty. If you have any questions, contact the manufacturer.



# IMPORTANT SAFETY INSTRUCTIONS

READ AND SAVE THESE INSTRUCTIONS

## Electric Safety

### GROUNDING INSTRUCTIONS

This appliance must be grounded. In the event of an electrical short circuit, grounding reduces the risk of electric shock by providing an escape wire for the electric current.

---

#### WARNING

##### RISK OF ELECTRIC SHOCK

Improper grounding can result in a risk of electric shock. Consult a qualified electrician if the grounding instructions are not completely understood, or if doubt exists as to whether the appliance is properly grounded.

---

#### WARNING

##### Risk of electrical shock or fire

Frame grounded to neutral through a ground strap. Grounding through the neutral conductor is prohibited for new branch-circuit installations (1996 NEC), mobile homes, and recreational vehicles, or in an area where local codes prohibit grounding through the neutral conductor.

For installations where grounding through the neutral conductor is prohibited,

- a) disconnect the link from the neutral,
- b) use grounding terminal or lead to ground unit,
- c) connect neutral terminal to lead branch circuit neutral in usual manner (when the appliance is to be connected by means of a cord kit, use a UL listed 4-conductor cord for this purpose).

---

#### WARNING

Before you plug in an electrical cord or turn on power supply, make sure all controls are in the OFF position.

If required by the National Electrical Code (or Canadian Electrical Code), this appliance must be installed on a separate branch circuit.

---

#### WARNING

To reduce the risk of fire or electric shock, do not use this fan with any solid-state speed control device.

Installer – show the owner the location of the circuit breaker or fuse. Mark it for easy reference.

Before installing, turn power OFF at the service panel. Lock service panel to prevent power from being turned ON accidentally.

---

#### WARNING

TO REDUCE THE RISK OF FIRE, ELECTRIC SHOCK, OR INJURY TO PERSONS, OBSERVE THE FOLLOWING:

- Use this unit only in the manner intended by the manufacturer. If you have questions, contact the manufacturer.
- Before servicing or cleaning unit, switch power off at service panel and lock the service disconnecting means to prevent power from being switched on accidentally.

When the service disconnecting means cannot be locked, securely fasten a prominent warning device, such as a tag, to the service panel.

Be sure your appliance is properly installed and grounded by a qualified technician. Installation, electrical connections and grounding must comply with all applicable codes.

---

#### WARNING

##### Risk of electric shock

Parts inside the appliance can have sharp edges. The connection cable can be damaged. Do not bend or pinch connection cables during installation.

## Appliance Handling Safety

Hidden surfaces may have sharp edges. Use caution when reaching behind or under appliance.

## Safety Codes and Standards

This appliance complies with the latest version of one or more of the following standards:

- UL 507 - Electric Fans
- CAN/CSA C22.2 No. 113 - Fans and Ventilators

It is the responsibility of the installer to determine if additional requirements and/or standards apply to specific installations.

# **IMPORTANT SAFETY INSTRUCTIONS**

READ AND SAVE THESE INSTRUCTIONS

## **Related Equipment Safety**

Remove all tape and packaging before using the appliance. Destroy the packaging after unpacking the appliance. Never allow children to play with packaging material.

The appliance should only be used if installed by a qualified technician in accordance with these installation instructions. The manufacturer is not responsible for any damage resulting from incorrect installation.

Never modify or alter the construction of the appliance. For example, do not remove leveling legs, panels, wire covers or anti-tip brackets/screws.

## **Proposition 65 Warning:**

This product may contain a chemical known to the State of California, which can cause cancer or reproductive harm. Therefore, the packaging of your product may bear the following label as required by California:

**STATE OF CALIFORNIA PROPOSITION 65 WARNING:**

 **WARNING**

Cancer and Reproductive Harm - [www.P65Warnings.ca.gov](http://www.P65Warnings.ca.gov)

---

## General Notes

---

### Ventilation line

**Note:** The appliance manufacturer does not assume any warranty for complaints attributable to the duct section.

- The appliance achieves its optimum performance by means of a short, straight exhaust air duct and as large a duct diameter as possible.
- As a result of long rough exhaust air ducts, many duct bends or duct diameters that are smaller than 6" (150 mm), the optimum extraction performance is not achieved and fan noise is increased.
- The ducts or hoses for laying the exhaust air line must be made of non-combustible material.
- Use sealing strip for deviating duct diameters.

### Electrical requirements

This appliance must be properly installed and grounded by a qualified technician in accordance with the National Electrical Code ANSI/ NFPA 70 (latest edition) and local electrical code requirements. IN CANADA: Electrical installation must be in accordance with the current CSA C22.1 Canadian Electrical Codes Part1 and/or local codes.

The range must be connected to the proper electrical voltage and frequency as specified on the rating plate.

### For wall mounting: Checking the wall

- The wall must be level, vertical and adequately load-bearing.
- Use suitable fasteners depending on the type of construction (e.g. massive brickwork, drywall, porous concrete, Poroton wall tiles).
- The depth of the bore holes must be the same length as the screws. The wall plugs must have a secure grip.
- The maximum weight of the fan module is **approx. 20 lb (9 kg)**.

---

## Before you begin

---

### Tools and parts needed

- Screwdriver Torx T20
- Pencil
- Drill with ¼" (6 mm) bit
- Jigsaw
- Tape Measure

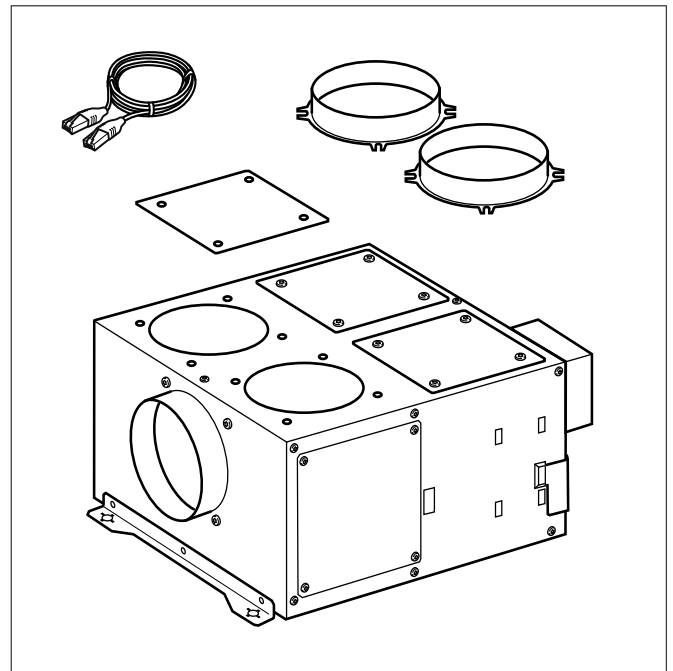
**Note:** Additional materials may be necessary for installation in solid surface countertops. Contact the countertop manufacturer.

#### Additional parts needed:

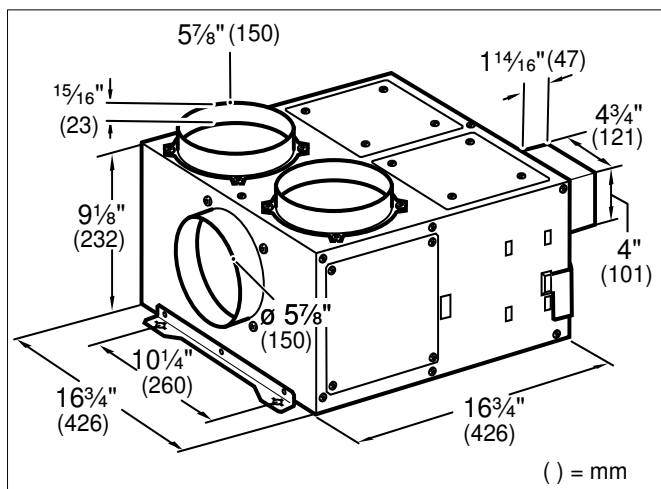
- 1 inch 3-wire conduit
- 1 inch cable/cord connector

Use only 3-conductor CSA/UL listed cord 18x3AWG or larger, cord type SJT.

### Parts included



## Appliance dimensions

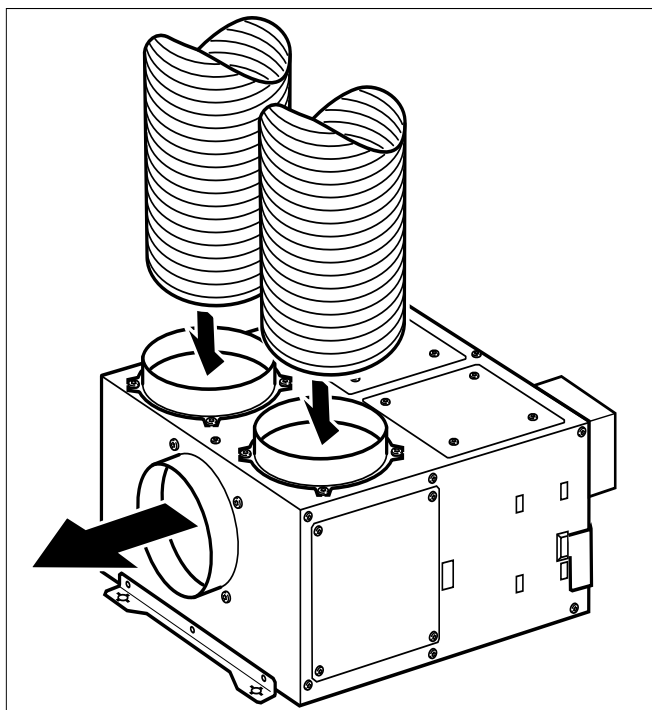


## Installing the appliance

The remote fan unit has 5 connection openings, 4 on the top side of the appliance and one on the side across from the exhaust opening. 2 connecting pieces  $\varnothing 6$ " (150 mm) are included in the delivery. You can get additional connecting pieces using the order number 653556.

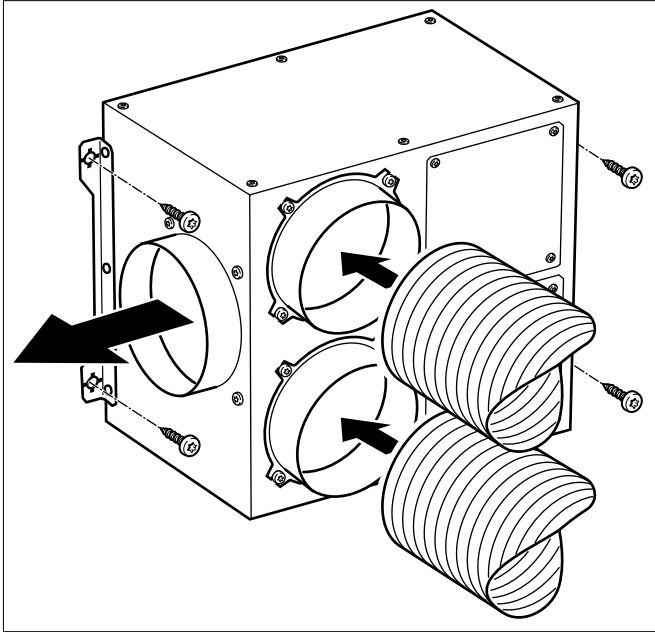
**Note:** During the installation, observe the exhaust direction. To mark the air direction, arrows are imprinted onto the appliance's housing.

- 1 Fit the required connecting piece to the appliance. Seal the other connection openings with the enclosed plates.
- 2 The appliance has rubber feet, fixing not required.

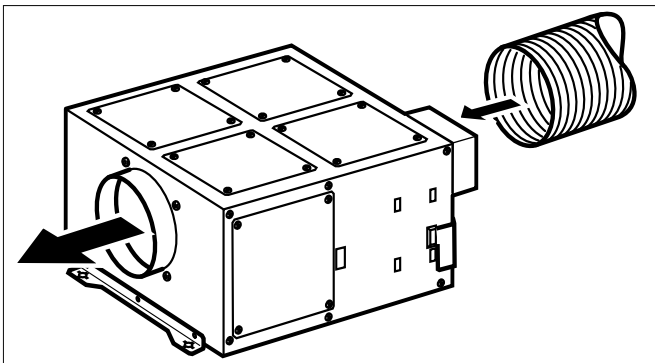


- 3 Alternative:** Fasten the appliance to the wall using four screws.

**Note:** Align the appliance horizontally.



- 4** Secure the exhaust air pipe to the connecting piece and seal appropriately.

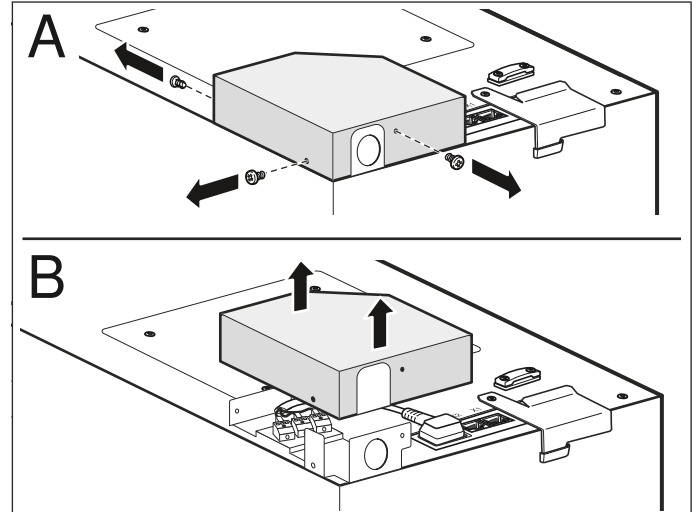


## Connect appliance

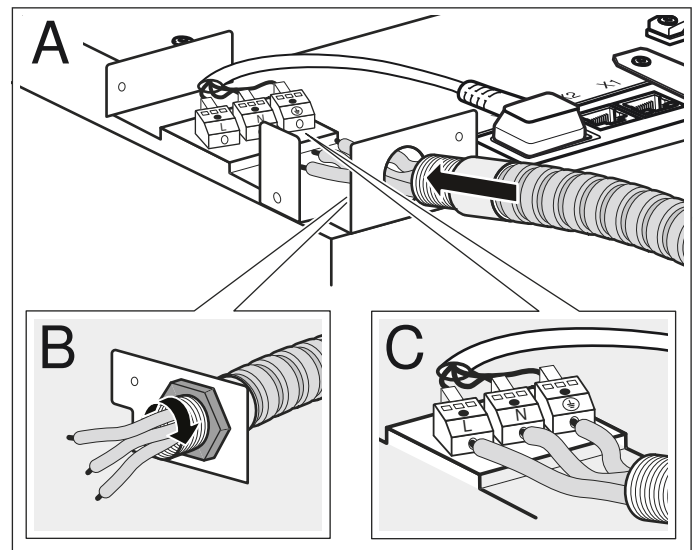
### Connecting the power cable

The appliance has to be connected to the power supply by means of a 3-wire conduit installation with a 1 inch conduit.

- 1** Remove terminal block cover by unscrewing the 3 fixing screws and lift it off.



- 2** Guide conduit through the opening for electrical connection in the holding fixture (A).
- 3** Secure the conduit with the ring nut (B).
- 4** Connect the wires of the power cord with the terminal block (C) and tighten terminal screws securely. Connect as follows:
- L = connect to hot wire
  - N = connect to neutral wire
  - $\oplus$  = Connect to ground wire



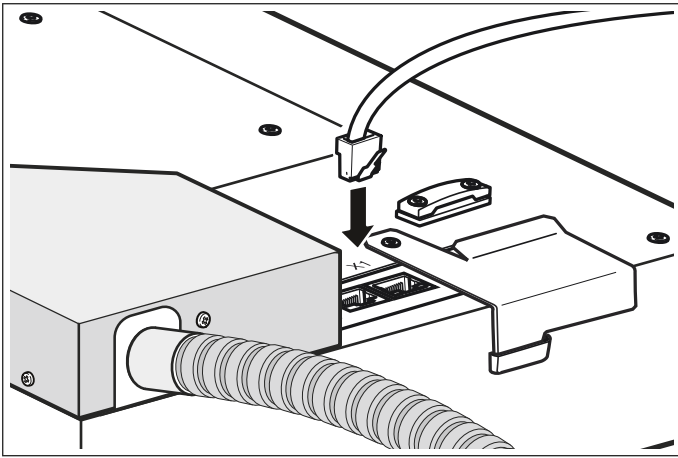
- 5** Replace terminal block cover and fasten it with the 3 fixing screws.



## Connecting the network cable

Use the control cable to connect the remote fan unit and the fan. The plug must snap into place.

**Note:** The X1 and X2 connection sockets are identical.



## Additional switching output

### **⚠ WARNING**

Work must only be carried out on the additional switching output by a qualified electrician in accordance with the country-specific requirements and standards.

The appliance has an additional switching output X16 (potential-free contact) that can be used to connect other appliances, such as a ventilation system that is available at the installation site. The contact is closed when the blower is switched on, and is opened when the blower is switched off.

The switching output is located under a cover. Maximum switching power 30 V/1 A (AC/DC). The signal that is connected to the contact must correspond to class of protection 3.

## Connection for window contact switch AA 400 510

Work on the connection for the window contact switch must only be carried out by a qualified electrician in accordance with the requirements and standards of the country in which the appliance is being used.

The appliance has a connection (X17) for a window contact switch. The window contact switch can be flush mounted or surface mounted. You will receive the window contact switch AA 400 510 separately as an accessory. Please observe the installation instructions enclosed with the window contact switch.

If a window contact switch is connected, the extractor hood's ventilation system will only work with the window open. The lighting will work even if the window is closed.

If you switch on the ventilation system with the window closed, the button for the ventilation setting you have selected will flash, and the ventilation system will not switch on.

If you close the window while the ventilation system is on, the appliance will switch the ventilation system off within 5 seconds. The button for the ventilation setting you have selected will flash.

The entire ventilation network and window contact switch must be assessed by a master chimney sweep.

## Networked operation

Several appliances can be networked together. The light and blower on each of the appliances are operated synchronously.

Connect the appliances in series via the connector sockets X1 and X2 (equal value). The sequence of the networking does not have any effect. If the enclosed network cables are too short, use a commercially available network cable (min. Cat. 5, shielded).

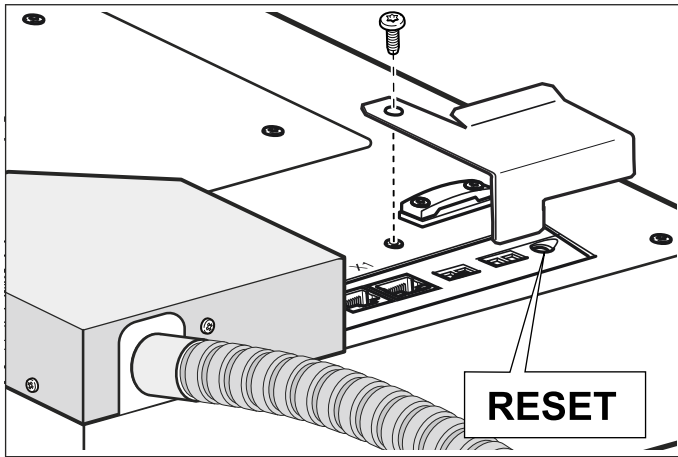
Maximum number of networked appliances: 20. Total length of all of the network cables: 131 feet (40 m). During the initial installation, a qualified electrician must check that the system functions correctly.

If one of the networked appliances fails (power interruption, network cable disconnected), this leads to the blower function being blocked for the entire system. All of the buttons on the appliance flash.

When changing the configuration, the system must be re-initialized:

- 1 Unscrew the cover plate.
- 2 Press and hold the reset button until both LEDs light up continuously (approx. 5 seconds). Then release the button within 5 seconds.
- 3 Screw on the cover plate.

- 4 After initialization, have a qualified electrician check that the system functions correctly.



## Connect Electrical Supply

### ⚠ WARNING

Before you connect an electrical cord for permanent connection or turn on power supply, make sure all controls are in the OFF position.

### ⚠ WARNING

#### Risk of electric shock

Parts inside the appliance can have sharp edges. The connection cable can be damaged. Do not bend or pinch connection cables during installation.

Attach flexible conduit to the junction box. The junction box must be accessible after installation.

To facilitate serviceability, the flex conduit should be routed to allow for temporary removal of the appliance.

### Check the Installation

### ⚠ WARNING

Before you connect an electrical cord for permanent connection or turn on power supply, make sure all controls are in the OFF position.

Switch on the circuit breaker.

Verify that elements function properly.

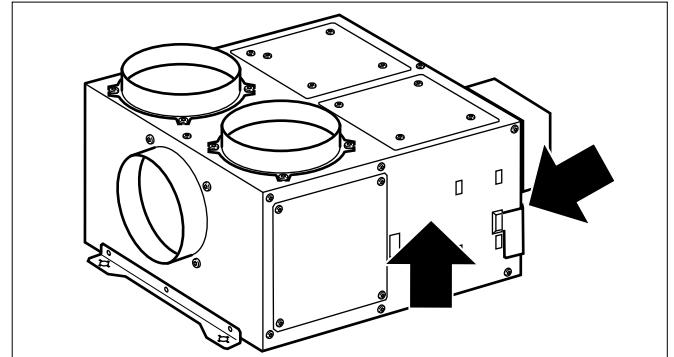
## Removing the appliance

Disconnect the appliance from the power supply. Remove the control cable. Undo the exhaust connections. Pull out the appliance.

## Customer service

If your appliance needs repairs, our customer service is there for you. We work hard to help solve problems quickly and without unnecessary service calls, getting your appliance back up and running correctly in the least amount of time possible.

When you call, please indicate the product number (E-Nr.) and serial number (FD-Nr.) so that we can support you in a qualified manner. You will find the type plates with these numbers at the front and side of the appliance.



To avoid having to search for a long time when you need it, you can enter your appliance data and the customer support telephone number here.

E-Nr.

FD-Nr.

Customer Service ☎

Please read the use and care instructions provided with your appliance. Failure to do so may result in an error in using the appliance. This could result in a service call that instead of fixing a mechanical issue is only needed for customer education. Such calls are not covered by the appliance warranty.

Please find the contact data of all countries in the enclosed customer service list.

### To book a service visit and product advice

**USA** 877 442 4436  
toll-free

**CANADA** 877 442 4436  
toll-free

<b>⚠ Définitions de sécurité</b>	<b>11</b>
<b>CONSIGNES DE SÉCURITÉ IMPORTANTES</b>	<b>12</b>
Sécurité électrique	13
Sécurité de manutention des appareils	14
Codes et normes de sécurité	14
Équipement de sécurité	14
Avertissement issu de la proposition 65	14
<b>Instructions Générales</b>	<b>15</b>
Conduit d'évacuation	15
Critères électriques	15
Pour un montage mural : vérifier le mur	15
<b>Avant de commencer</b>	<b>15</b>
Outils et pièces nécessaires	15
Pièces comprises	15
Cotes de l'appareil	16
<b>Encastrement de l'appareil</b>	<b>16</b>
Brancher l'appareil	17
Sortie de commutation supplémentaire	18
Raccord pour le contacteur de fenêtre AA 400 510	18
Utilisation en réseau	18
Brancher l'alimentation électrique	19
Dépose de l'appareil	19
<b>Service après-vente</b>	<b>20</b>

---

## **⚠ Définitions de sécurité**

---

---

### **⚠ AVERTISSEMENT**

---

Ceci indique que le non-respect de cet avertissement peut entraîner des blessures graves, voire la mort.

---

---

### **⚠ ATTENTION**

---

Ceci indique que le non-respect de cet avertissement peut entraîner des blessures légères ou de gravité moyenne.

---

**AVIS :** Ceci indique que la non-conformité à cet avis de sécurité peut entraîner des dégâts matériels ou endommager l'appareil.

**Remarque :** Ceci vous signale des informations et/ou indications importantes.



# CONSIGNES DE SÉCURITÉ IMPORTANTES

LIRE ET CONSERVER CES INSTRUCTIONS

INSTALLATEUR : LAISSEZ CES INSTRUCTIONS AVEC L'APPAREIL APRÈS UNE FOIS L'INSTALLATION TERMINÉE.

IMPORTANT : CONSERVER CES INSTRUCTIONS POUR L'USAGE DE L'INSPECTEUR ÉLECTRIQUE LOCAL.

Contrôler l'appareil après l'avoir déballé. Si l'appareil a été endommagé durant le transport, ne pas le brancher.

---

## AVERTISSEMENT

Si l'information de ce guide n'est pas suivie exactement, il peut en résulter un incendie ou un choc électrique causant des dommages à la propriété, des blessures ou la mort.

---

## AVERTISSEMENT

Ne réparez, remplacez, ni ne retirez aucune partie de l'appareil, excepté si les manuels recommandent de le faire. Une installation, un entretien ou une inspection incorrects peuvent occasionner des blessures ou des dommages matériels. Reportez-vous au présent manuel pour obtenir des indications. Toute autre intervention doit être effectuée par un technicien agréé.

---

## AVERTISSEMENT

ATTENTION – AFIN DE RÉDUIRE LES RISQUES D'INCENDIE, DE CHOC ÉLECTRIQUE OU DE BLESSURES CORPORELLES, VEUILLEZ SUIVRE LES INSTRUCTIONS SUIVANTES :

- Les travaux d'installation et de raccordement électrique doivent être effectués par une personne qualifiée, conformément aux codes et standards de construction, y compris ceux concernant le feu.
- Assurez-vous que l'aération est suffisante pour permettre la combustion et l'évacuation des gaz par le conduit de cheminée d'un appareil à combustible afin de prévenir le refoulement d'air. Respectez les instructions du fabricant de l'appareil de chauffage et les normes de sécurité, comme celles publiées par la National Fire Protection Association (NFPA) et par la American Society for Heating, Refrigeration and Air Conditioning Engineers (ASHRAE), ainsi que par les autorités locales.
- Lorsque vous faites une ouverture dans un mur ou un plafond, veillez à ne pas endommager les fils électriques ou les conduites qui y sont dissimulés.
- Les soufflantes canalisées doivent donner sur l'extérieur.

---

## AVERTISSEMENT

Pour l'installation de la hotte, vous devez respecter tous les règlements des entreprises de distribution d'électricité et de construction régionaux applicables.

---

## AVERTISSEMENT

### Risque d'incendie

Le fonctionnement simultané de plusieurs feux gaz engendre une forte production de chaleur. Le cas échéant, l'appareil de ventilation peut être endommagé ou s'enflammer. L'appareil de ventilation doit uniquement être combiné avec des feux gaz dont la puissance totale maximale ne dépasse pas 61,000 BTU/hr (18 kW). Si la puissance maximale dépasse 41,000 BTU/hr (12 kW), les prescriptions locales en matière de ventilation, de volume de la pièce et de combinaison avec des appareils de ventilation en mode aspiration ou ventilation doivent être observées.

# **CONSIGNES DE SÉCURITÉ IMPORTANTES**

## LIRE ET CONSERVER CES INSTRUCTIONS

---

### AVERTISSEMENT

---

Pour réduire le risque de feu et pour évacuer correctement l'air, évacuez l'air vers l'extérieur. N'évacuez pas l'air dans les murs, les plafonds, les greniers, les vides sanitaires ou les garages.

---

---

### AVERTISSEMENT

---

Pour réduire les risques de feu, utiliser uniquement des gaines en métal.

---

---

### ATTENTION

---

Appareil conçu exclusivement pour la ventilation générale. Ne pas utiliser pour évacuer des matières et vapeurs dangereuses ou explosives.

---

Cet appareil est destiné uniquement à une utilisation domestique normale. Il n'est pas homologué pour un usage en extérieur. Voyez la Énoncé de la Garantie Limitée. Si vous avez des questions, communiquez avec le fabricant.

## Sécurité électrique

### INSTRUCTIONS DE MISE À LA TERRE

Cet appareil doit être mis à la terre. En cas de court-circuit électrique, la mise à la terre réduira le risque d'électrocution en offrant au courant électrique un fil d'évacuation.

---

### AVERTISSEMENT

---

#### RISQUE D'ÉLECTROCUTION

Une mise à la terre inadéquate peut entraîner un risque d'électrocution. Consultez un électricien qualifié si vous ne comprenez pas parfaitement les instructions de mise à la terre ou si vous avez des doutes concernant une mise à la terre appropriée.

---

---

### AVERTISSEMENT

---

#### Risque de choc électrique ou d'incendie

Le cadre est mis à la terre au neutre par le conducteur de terre. La mise à la terre par le conducteur neutre est interdite pour les nouvelles installations de circuit terminal (NEC 1996), les maisons mobiles et les véhicules de plaisance ou dans les endroits où les codes locaux interdisent la mise à la terre par un conducteur neutre.

Pour les installations où la mise à la terre par le conducteur neutre est interdite,

- a) débrancher la liaison du neutre,
  - b) utiliser la borne de terre ou le fil pour mettre l'appareil à la terre,
  - c) brancher la borne neutre sur le fil neutre du circuit terminal de la façon habituelle (lorsque l'appareil doit être branché au moyen d'un nécessaire de cordon, utiliser un cordon à 4 fils homologué par l'Underwriters Laboratory prévu à cet effet).
- 

---

### AVERTISSEMENT

---

Avant tout raccordement de cordon électrique ou toute mise sous tension, assurez-vous que toutes les commandes sont en position OFF (d'arrêt).

---

S'il y a lieu, conformément au Code national de l'électricité (ou au Code canadien de l'électricité), cet appareil doit être installé sur un circuit de dérivation séparé.

---

---

### AVERTISSEMENT

---

Pour réduire le risque de feu ou de choc électrique, ne pas utiliser cet aérateur avec un variateur de vitesse à semi-conducteur.

---

Installateur – Indiquer au propriétaire l'emplacement du disjoncteur ou du fusible. Identifier sa position pour pouvoir le retrouver facilement.

Avant l'installation, mettre l'appareil hors service au panneau de service. Verrouiller le panneau d'entrée d'électricité pour éviter que le courant ne soit accidentellement rétabli.



# CONSIGNES DE SÉCURITÉ IMPORTANTES

LIRE ET CONSERVER CES INSTRUCTIONS

---

## AVERTISSEMENT

---

AFIN DE RÉDUIRE LES RISQUES D'INCENDIE, DE CHOC ÉLECTRIQUE OU DE BLESSURES CORPORELLES, VEUILLEZ SUIVRE LES INSTRUCTIONS SUIVANTES :

- Utilisez cet appareil seulement de manière conforme à l'usage prévu par le fabricant. Si vous avez des questions, contactez le fabricant.
- Avant le nettoyage ou l'entretien de l'appareil, mettez-le hors tension sur le tableau électrique et verrouillez les dispositifs de sectionnement afin d'empêcher toute remise sous tension accidentelle. S'il est impossible de verrouiller les dispositifs de sectionnement, fixez de manière sûre au tableau électrique un dispositif d'alerte bien visible, par exemple une étiquette.

---

S'assurer que l'appareil est installé et mis à la terre par un technicien qualifié. L'installation, les connexions électriques et la mise à la terre doivent être conformes à tous les codes applicables.

---

## AVERTISSEMENT

---

### Risque de choc électrique

Les pièces se trouvant dans l'appareil peuvent présenter des arêtes vives. Le cordon de branchement peut être endommagé. Ne pas couder ni coincer le cordon de branchement pendant la pose.

---

## Sécurité de manutention des appareils

Certaines surfaces peuvent avoir des bords tranchants. Faire attention en étendant le bras derrière l'appareil ou en dessous.

## Codes et normes de sécurité

Cet appareil est conforme aux plus récentes versions de l'une ou plus des normes suivantes :

- UL 507 - Ventilateurs électrique (Electric Fans)
- CAN/CSA C22.2 No. 113 - Ventilateurs et soufflantes (Fans and Ventilators)

Il incombe à l'installateur de déterminer si des exigences et/ou normes additionnelles s'appliquent pour des installations spécifiques.

## Équipement de sécurité

Enlever le ruban adhésif et l'emballage avant d'utiliser l'appareil. Détruire l'emballage après avoir déballé l'appareil. Ne jamais laisser les enfants jouer avec les matériaux de conditionnement.

Utilisez uniquement l'appareil électroménager s'il a été installé par un technicien qualifié conformément aux présentes instructions d'installation. Le fabricant ne peut pas être tenu responsable de tous dommages causés par une installation inadéquate.

Ne jamais modifier ni altérer la configuration de l'appareil. Par exemple, ne pas retirer les pieds de nivellement, les panneaux, les couvercles de câblage ou les fixations/vis antibasculement.

## Avertissement issu de la proposition 65 :

Ce produit pourrait contenir un produit chimique reconnu par l'État de la Californie comme cancérigène ou ayant des effets nocifs sur la reproduction. Par conséquent, l'emballage de votre produit pourrait porter l'étiquette suivante, comme requis par la Californie :

AVERTISSEMENT ISSU DE LA PROPOSITION 65 DE L'ÉTAT DE LA CALIFORNIE :



**AVERTISSEMENT**

Cancer et dommages à la reproduction -

[www.P65Warnings.ca.gov](http://www.P65Warnings.ca.gov)

### Conduit d'évacuation

**Remarque :** Le fabricant de l'appareil décline toute garantie en cas de réclamation imputable à des problèmes liés au parcours des conduits.

- L'appareil atteindra un rendement supérieur si le conduit d'évacuation est court et droit et que son diamètre est grand.
- Si les conduits d'évacuation sont longs, présentent de nombreux coudes ou ont un diamètre inférieur à 6" (150 mm), la puissance maximale d'aspiration ne sera pas atteinte et le ventilateur fera plus de bruit.
- Les tuyaux rigides ou souples constituant le conduit d'évacuation doivent être fabriqués dans un matériau ininflammable.
- Pour raccorder des tuyaux de diamètres différents, utiliser du ruban d'étanchéité.

### Critères électriques

Cet appareil doit être installé et mis à la terre de façon appropriée par un technicien qualifié conformément au Code national de l'électricité ANSI/NFPA 70 (édition la plus récente) et les exigences des codes électriques locaux. AU CANADA : L'installation électrique doit être conforme avec la version la plus récente du Code canadien de l'électricité (première partie) CSA C22.1 et/ou les codes locaux.

L'appareil doit être branché à une fréquence et une tension électrique appropriées, conformément aux renseignements sur la plaque signalétique.

### Pour un montage mural : vérifier le mur

- Le mur doit être plat, vertical et offrir une portance suffisante.
- Selon le type de construction (par ex. maçonnerie massive, Rigips, béton cellulaire, les briques Poroton), utiliser des moyens de fixation appropriés.
- La profondeur des trous percés doit être adaptée à la longueur des vis. Les chevilles doivent offrir une retenue sûre.
- Le moteur séparé pèse au maximum **env. 9 kg**.

### Outils et pièces nécessaires

- Tournevis à empreinte Torx T20
- Crayon
- Perceuse avec mèche 1/4" po (6 mm)
- Scie sauteuse
- Ruban à mesurer

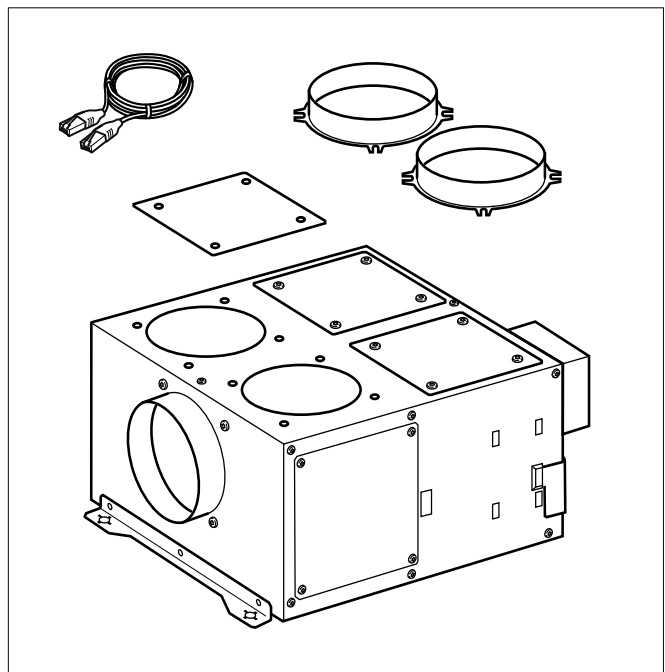
**Remarque :** Des matériaux supplémentaires peuvent être nécessaires pour installer les plans de travail à surface solide. Contacter le fabricant du plan de travail.

#### Pièces supplémentaires requises :

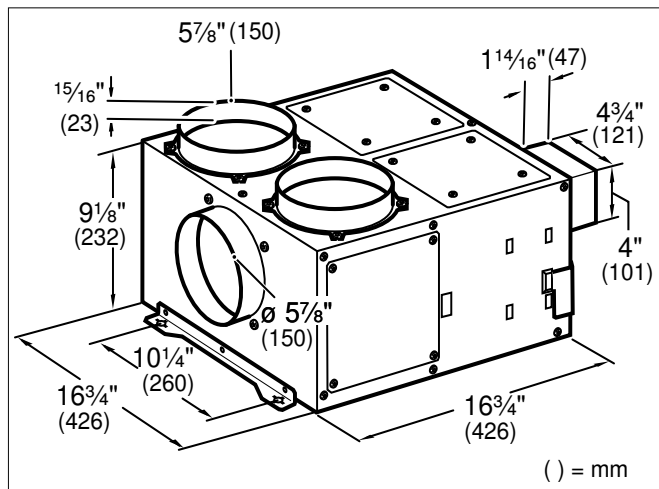
- Conduit de 1 po à 3 fils
- Connecteur câble/cordon de 1 po

Utilisez seulement un cordon d'alimentation à 3 conducteurs de type SJT homologué CSA/UL de calibre 18x3 ou supérieur.

### Pièces comprises



## Cotes de l'appareil

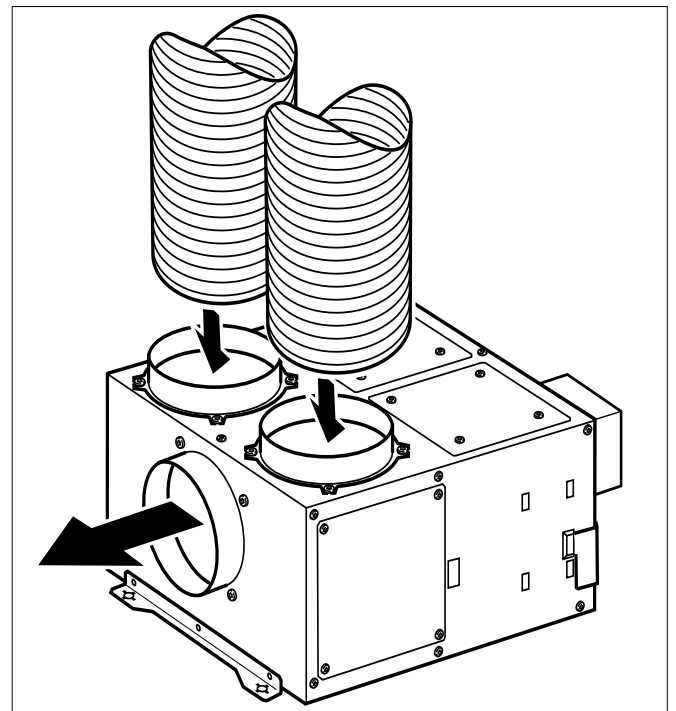


## Encastrement de l'appareil

Le moteur séparé possède 5 orifices de raccordement, 4 sur le dessus de l'appareil et un sur le côté en face de l'orifice de soufflage. La fourniture comprend 2 pièces de connexion  $\varnothing 6$ " (150 mm). Vous pouvez vous procurer d'autres pièces de connexion sous la référence 653556.

**Remarque :** Lors du montage, faites attention à la direction du soufflage ! Des flèches sont estampillées sur le boîtier de l'appareil pour indiquer la direction de l'air.

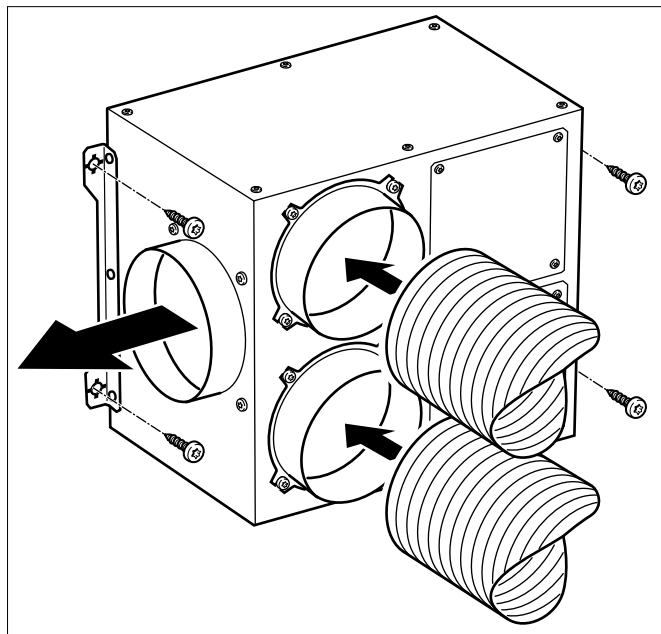
- 1 Fixer les pièces de connexion nécessaires sur l'appareil. Obturer les orifices de raccordement restants par les tôles fournies.
- 2 L'appareil repose sur des pieds en caoutchouc, une fixation n'est pas nécessaire.



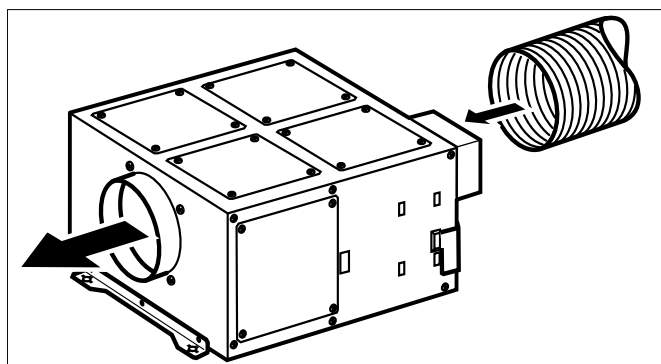


- 3 **Alternative** : Fixer l'appareil au mur au moyen de 4 vis.

**Remarque** : Aligner l'appareil à l'horizontale.



- 4 Fixer les conduits d'évacuation aux pièces de connexion et étancher de manière appropriée.

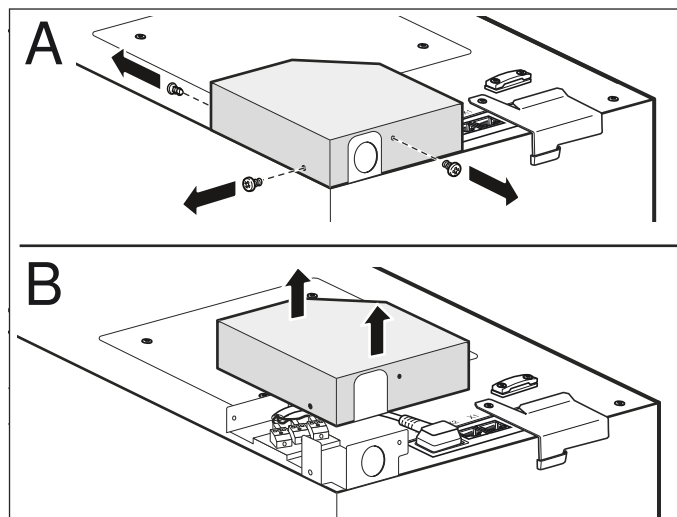


## Brancher l'appareil

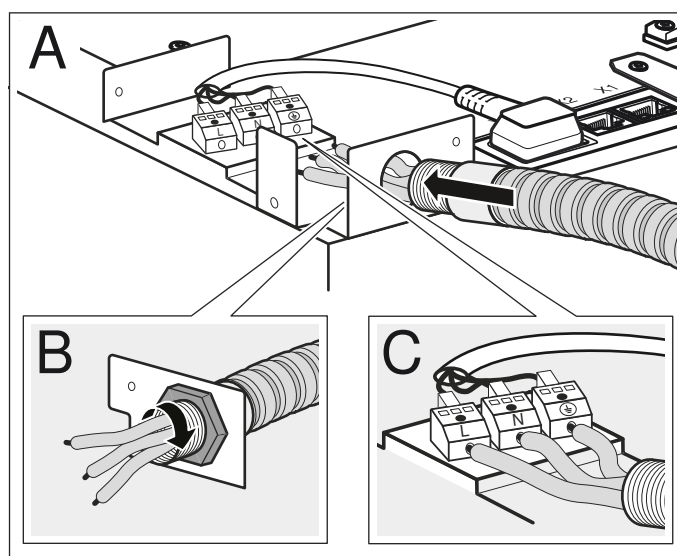
### Branchement du câble d'alimentation

L'appareil doit être branché à l'alimentation électrique par une installation de conduit à 3 fils avec un conduit de 1 po.

- 1 Retirez le couvercle du bloc de bornes en dévissant les 3 vis de fixation et en soulevant le couvercle.



- 2 Guidez le conduit dans l'ouverture pour raccordement électrique dans l'accessoire de fixation (A).
- 3 Fixez le conduit en place avec le contre-écrou (B).
- 4 Branchez les fils du cordon d'alimentation au bloc de bornes (C) et serrez fermement les vis des bornes. Branchez les fils de la façon suivante :
- L = branchement au fil sous tension
  - N = branchement au fil neutre
  - ⊕ = branchement au fil de mise à la terre

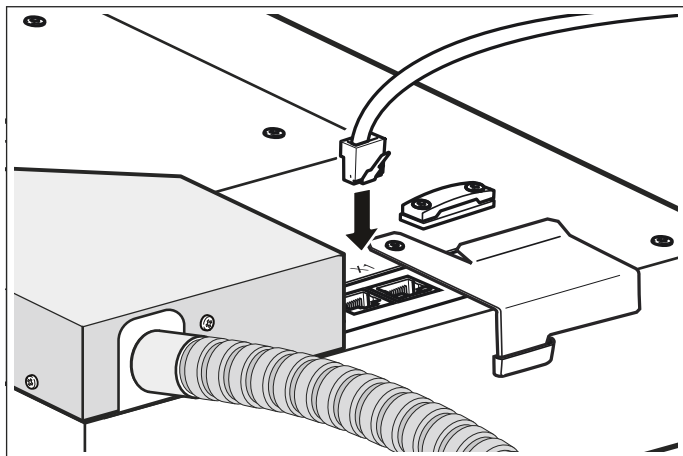


- 5 Remplacez le couvercle du bloc de bornes puis resserrez les 3 vis de fixation.

### Branchement du câble réseau

Utilisez le câble de contrôle pour brancher l'unité de ventilation à distance et le ventilateur. La fiche doit s'enclencher en place.

**Remarque :** Les prises de raccordement X1 et X2 sont identiques.



### Sortie de commutation supplémentaire

#### **⚠ AVERTISSEMENT**

Les travaux sur la sortie de commutation supplémentaire doivent uniquement être effectués par un électricien qualifié, en respectant les règlements et normes spécifiques au pays.

L'appareil possède une sortie de commutation supplémentaire X16 (contact sans potentiel) pour le raccordement d'autres appareils, tels qu'une installation de ventilation existante côté site. Le contact est fermé lorsque le ventilateur est en marche et est ouvert lorsque le ventilateur est éteint.

La sortie de commutation se situe sous un couvercle. Puissance de commutation maximale 30 V/1 A (CA/CC). Le signal qui est raccordé au contact doit correspondre à la classe de protection 3.

### Raccord pour le contacteur de fenêtre AA 400 510

Les travaux sur le raccord pour le contacteur de fenêtre doivent uniquement être effectués par un électricien qualifié, en respectant les règlements et normes spécifiques au pays.

L'appareil possède un raccord X17 pour un contacteur de fenêtre. Le contacteur de fenêtre convient au montage encastré ou au montage en saillie. Le contacteur de fenêtre AA 400 510 est disponible séparément en tant qu'accessoire. Respectez les instructions de montage fournies avec le contacteur de fenêtre.

Lorsque le contacteur de fenêtre est raccordé, la ventilation de la hotte aspirante fonctionne uniquement avec la fenêtre ouverte. L'éclairage fonctionne même si la fenêtre est fermée.

Si vous activez la ventilation avec la fenêtre fermée, la touche de la vitesse du ventilateur sélectionnée clignote et la ventilation reste éteinte.

Si vous fermez la fenêtre alors que la ventilation est allumée, l'appareil coupe la ventilation en l'espace de 5 secondes. La touche de la vitesse du ventilateur sélectionnée clignote.

L'ensemble du circuit de ventilation associé à un contacteur de fenêtre doit être évalué par un ramoneur en chef.

### Utilisation en réseau

Plusieurs appareils peuvent être interconnectés. La lumière et la ventilation de tous les appareils fonctionnent de manière synchrone.

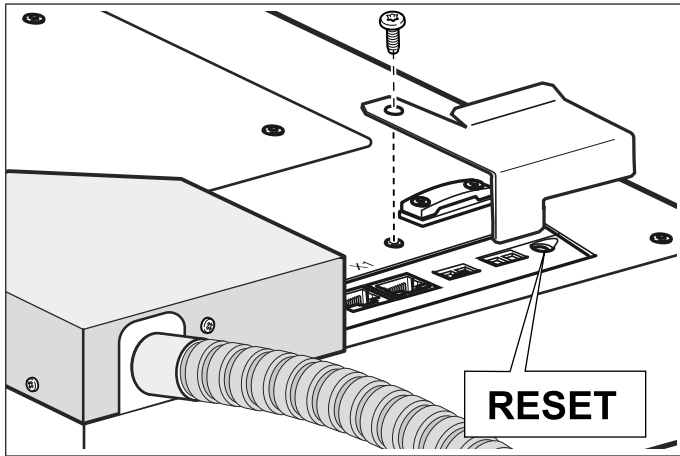
Relier les appareils en série via les prises de raccordement X1 et X2 (équivalentes). L'ordre de l'interconnexion n'a pas d'influence. Si les câbles réseau fournis sont trop courts, utiliser un câble réseau usuel commercial (au moins Cat5, blindé).

Nombre max. de participants : 20 appareils. Longueur totale de tous les câbles réseau : 40 m. La fonction de l'installation doit être vérifiée par un technicien qualifié lors de l'installation initiale.

La panne d'un participant (coupure de tension, séparation du câble réseau) conduit au blocage de la fonction de ventilation de l'ensemble du système. Toutes les touches sur l'appareil clignotent.

En cas de modification de la configuration, l'installation doit être réinitialisée :

- 1 Dévisser la tôle de protection.
- 2 Appuyer sur la touche Réinitialiser (Reset) jusqu'à ce que les deux DEL soient allumées en continu (env. 5 secondes). Relâcher ensuite la touche dans les 5 secondes.
- 3 Visser la tôle de protection.
- 4 Faire vérifier le fonctionnement de l'installation par un technicien qualifié après l'initialisation.



## Brancher l'alimentation électrique

### **⚠ AVERTISSEMENT**

Avant de brancher un cordon électrique pour un raccordement permanent ou de mettre sous tension la source d'alimentation, vérifiez que toutes les commandes sont à la position OFF (Arrêt).

### **⚠ AVERTISSEMENT**

#### **Risque de choc électrique**

Les pièces se trouvant dans l'appareil peuvent présenter des arêtes vives. Le cordon de branchement peut être endommagé. Ne pas couder ni coincer le cordon de branchement pendant la pose.

Fixez le conduit flexible au boîtier de jonction. Le boîtier de jonction doit être accessible après l'installation.

Pour faciliter l'entretien, le conduit flexible devrait être acheminé pour permettre un retrait temporaire de l'appareil.

## Vérification de l'installation

### **⚠ AVERTISSEMENT**

Avant de brancher un cordon électrique pour un raccordement permanent ou de mettre sous tension la source d'alimentation, vérifiez que toutes les commandes sont à la position OFF (Arrêt).

Mettre le disjoncteur en circuit.

Vérifier que les éléments fonctionnent correctement.

## Dépose de l'appareil

Mettre l'appareil hors tension. Détacher le câble de commande. Défaire les raccords de l'évacuation de l'air. Retirer l'appareil.

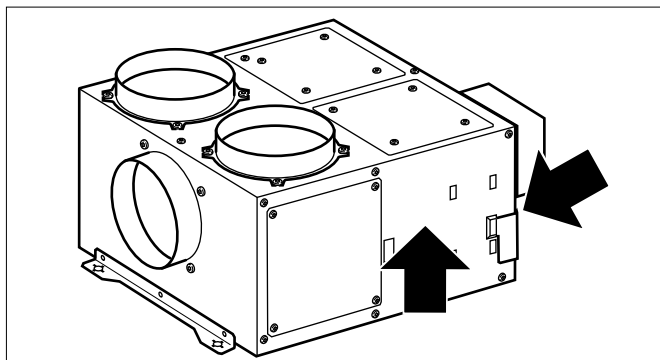
---

## Service après-vente

---

Si votre appareil nécessite une réparation, notre service après-vente est là pour vous. Nous travaillons sans relâche pour vous aider à résoudre les problèmes en peu de temps tout en évitant les visites d'entretien inutiles afin d'assurer le bon fonctionnement de votre appareil le plus rapidement possible.

Lorsque vous nous contactez, veuillez nous indiquer le numéro de produit (E-Nr.) et le numéro de série (FD-Nr.), afin que nous puissions vous aider de façon efficace. Vous trouverez les plaques signalétiques comportant ces numéros sur le devant et le côté de l'appareil.



Pour éviter de devoir chercher longuement ces informations lorsque vous en avez besoin, vous pouvez inscrire les données de votre appareil et le numéro de téléphone du service après-vente dans l'espace ci-dessous.

---

**E-Nr.**

**FD-Nr.**

---

**Service après-vente** ☎

---

Veuillez lire les instructions d'utilisation et d'entretien fournies avec votre appareil. Un manquement à suivre cette recommandation pourrait causer des erreurs lors de l'utilisation de l'appareil. Vous pourriez devoir recevoir une visite d'entretien qui a pour seul but d'éduquer le client plutôt que de réparer un problème mécanique. Ces visites ne sont pas couvertes par la garantie de l'appareil.

Vous trouverez les données de contact pour tous les pays dans l'annuaire ci-joint du service après-vente.

### **Demande de réparation et conseils en cas de dysfonctionnement**

**CA** 877 442 4436

toll-free

---

**⚠ Definiciones de seguridad 21**

---

---

**INSTRUCCIONES DE SEGURIDAD IMPORTANTES 22**

---

Seguridad eléctrica	23
Seguridad de manejo del electrodoméstico	24
Códigos y normas de seguridad	24
Seguridad del equipo relacionado	24
Advertencia en virtud de la Proposición 65	24

---

**Información General 25**

---

Conducto de escape	25
Requisitos eléctricos	25
Para el montaje en pared: comprobar la pared	25

---

**Antes de empezar 25**

---

Herramientas y piezas necesarias	25
Piezas incluidas	25
Dimensiones del equipo	26

---

**Instalación del aparato 26**

---

Conectar el aparato a la red eléctrica	27
Salida de conexión adicional	28
Conexión para interruptor de contacto de la ventana AA 400 510	28
Funcionamiento conectado	28
Conexión de la alimentación eléctrica	29
Desmontar el aparato	29

---

**Servicio de Atención al Cliente 30**

---

---

**⚠ Definiciones de seguridad**

---

---

**⚠ ADVERTENCIA**

---

Esto indica que pueden producirse heridas graves o incluso la muerte si no se cumple con esta advertencia.

---

---

**⚠ ATENCION**

---

Esto indica que pueden producirse heridas leves o moderadas si no se cumple con esta advertencia.

---

**AVISO:** Esto indica que pueden producirse daños en el aparato o en los bienes si no se cumple con este aviso.

**Nota:** Esto alerta sobre información o sugerencias importantes.



# INSTRUCCIONES DE SEGURIDAD IMPORTANTES

LEA Y CONSERVE ESTAS INSTRUCCIONES

INSTALADOR: DEJE ESTAS INSTRUCCIONES CON EL ELECTRODOMÉSTICO CUANDO HAYA FINALIZADO LA INSTALACIÓN.

IMPORTANTE: CONSERVE ESTAS INSTRUCCIONES PARA USO DEL INSPECTOR DE ELECTRICIDAD LOCAL.

Una vez retirado el embalaje, revise el aparato. No lo conecte si ha sufrido daños durante el transporte.

---

## ADVERTENCIA

Si no sigue la información de este manual exactamente, se puede ocasionar un incendio o una descarga eléctrica que puede causar daños materiales o lesiones personales.

---

---

## ADVERTENCIA

No reparar, sustituir ni quitar ninguna pieza del electrodoméstico a menos que se recomiende de forma específica en los manuales. Una instalación, servicio o mantenimiento inadecuados pueden causar lesiones o daños materiales. Consultar este manual para recibir ayuda. Todos los demás servicios debe realizarlos un agente autorizado.

---

---

## ADVERTENCIA

ADVERTENCIA – PARA REDUCIR EL RIESGO DE INCENDIO, CHOQUE ELÉCTRICO O LESIONES A LAS PERSONAS, OBSERVE LAS SIGUIENTES RECOMENDACIONES:

- El trabajo de instalación y el cableado eléctrico deben realizarse por personal calificado conforme a todos los códigos y estándares aplicables, incluyendo construcción contra incendios.
  - Se requiere suficiente aire para la combustión y escape adecuado de gases por el conducto (chimenea) del equipo que quema combustible para evitar la contracorriente. Siga la directriz y las normas de seguridad del fabricante de equipos de calefacción, como las publicadas por La Asociación Nacional para la Protección contra Incendios (NFPA, por sus siglas en inglés) y la Sociedad Americana de Ingenieros en Calefacción, Refrigeración y Aire Acondicionado (ASHRAE, por sus siglas en inglés) y las autoridades locales correspondientes.
  - Al cortar o perforar la pared o el techo, no dañe el cableado eléctrico u otras instalaciones ocultas.
  - Los ventiladores entubados siempre deben ser ventilados hacia el exterior.
- 

---

## ADVERTENCIA

Al instalar la campana, deben cumplirse las reglamentaciones aplicables de las compañías de suministro de energía y las reglamentaciones regionales de construcción.

---

---

## ADVERTENCIA

### Riesgo de incendio

Cuando se usan simultáneamente varios quemadores de gas se genera mucho calor. El aparato de ventilación puede dañarse o incendiarse. El aparato de ventilación solo puede combinarse con quemadores de gas que no superen una potencia total máxima de 61,000 BTU/hr (18 kW). Al exceder la potencia total de 41,000 BTU/hr (12 kW) se deben observar los reglamentos locales respecto a la ventilación del área, tamaño del área y combinación con aparatos de ventilación en el modo de aire de extracción o aire de circulación.

---

# INSTRUCCIONES DE SEGURIDAD IMPORTANTES

## LEA Y CONSERVE ESTAS INSTRUCCIONES

---

### ADVERTENCIA

---

Para reducir el riesgo de incendio y para hacer que el aire salga al exterior correctamente, asegúrese de que haya un conducto que lo dirija hacia afuera. No dirija el aire de salida hacia lugares cerrados, espacios dentro de paredes, techos, áticos, huecos sanitarios o garajes.

---

---

### ADVERTENCIA

---

A fin de reducir el riesgo de incendio, utilizar únicamente conducciones de metal.

---

---

### ATENCION

---

Solo para la ventilación general. No utilizar para la extracción de sustancias y vapores peligrosos o explosivos.

---

Este electrodoméstico ha sido diseñado para uso doméstico normal únicamente. No está aprobado para uso en exteriores. Consulte la Declaración de Garantía limitada del Producto. Si tiene alguna pregunta, comuníquese con el fabricante.

## Seguridad eléctrica

### INSTRUCCIONES PARA LA CONEXIÓN A TIERRA

Este aparato debe estar conectado a tierra. En caso de cortocircuito, la conexión a tierra reduce el riesgo de descarga eléctrica, ya que se trata de un cable de salida por el que puede desviarse la corriente eléctrica.

---

### ADVERTENCIA

---

#### RIESGO DE DESCARGA ELÉCTRICA

La conexión incorrecta a tierra puede causar una descarga eléctrica. Consulte a un electricista calificado si no comprende la totalidad de las instrucciones de conexión a tierra o si tiene alguna duda respecto de si el aparato está correctamente conectado a tierra.

---

---

### ADVERTENCIA

---

#### Riesgo de descarga eléctrica o incendio

La conexión a tierra del marco con el cable neutro debe realizarse a través de una correa de conexión a tierra. Se prohíbe hacer la conexión a tierra a través del conductor neutro para instalaciones nuevas de circuito derivado (1996 NEC), casas rodantes y vehículos recreativos, o en un área en la que los códigos locales prohíban la conexión a tierra a través del conductor neutro.

Para instalaciones en las que se prohíbe la conexión a tierra a través del conductor neutro,

- desconecte la conexión del conductor neutro,
  - use el borne de conexión a tierra o el hilo de conexión a tierra para conectar a tierra la unidad,
  - conecte el borne neutro al hilo neutro del circuito derivado como lo haría usualmente (cuando vaya a conectar el electrodoméstico a través de un conjunto de cables, use un cable de 4 conductores calificado por UL para este fin).
- 

---

### ADVERTENCIA

---

Antes de enchufar un cable eléctrico o activar el suministro eléctrico, asegurarse de que todos los controles están en la posición OFF.

---

Si el Código Nacional Eléctrico (o el Código Eléctrico Canadiense) así lo requiere, este electrodoméstico debe instalarse en un circuito derivado por separado.

---

### ADVERTENCIA

---

Para reducir el riesgo de choque eléctrico, no use este ventilador con ningún dispositivo de control de velocidad de estado sólido.

---

El instalador debe mostrar al propietario la ubicación del disyuntor o el fusible. Márquela para recordarla más fácilmente.

Antes de realizar la instalación, apague la alimentación eléctrica en el panel de servicio. Trabe el panel de servicio para impedir que se encienda accidentalmente la alimentación eléctrica.



# INSTRUCCIONES DE SEGURIDAD IMPORTANTES

## LEA Y CONSERVE ESTAS INSTRUCCIONES

---

### ADVERTENCIA

---

PARA REDUCIR EL RIESGO DE INCENDIO, CHOQUE ELÉCTRICO O LESIONES A LAS PERSONAS, OBSERVE LAS SIGUIENTES RECOMENDACIONES:

- Utilice esta unidad sólo de la manera indicada por el fabricante. Si tiene preguntas, póngase en contacto con el fabricante.
  - Antes de reparar o limpiar la unidad, desconecte el suministro eléctrico en el panel de servicio y bloquee el servicio desconectando las conexiones para evitar que se encienda accidentalmente. Cuando no pueda bloquearse la desconexión del servicio, coloque un aviso prominente de advertencia, como un letrero, en el panel de servicio.
- 

Asegúrese de que el electrodoméstico sea correctamente instalado y conectado a tierra por un técnico calificado. La instalación, las conexiones eléctricas y la conexión a tierra deben cumplir con todos los códigos correspondientes.

---

### ADVERTENCIA

---

#### Peligro de descarga eléctrica

Los componentes dentro del equipo pueden tener bordes filosos. Puede dañarse el cable de conexión. No retorcer ni constreñir el cable durante la instalación.

---

## Seguridad de manejo del electrodoméstico

Las superficies ocultas pueden tener bordes filosos. Proceda con cuidado al intentar tomar el electrodoméstico por la parte trasera o desde abajo.

## Códigos y normas de seguridad

Este electrodoméstico cumple con la última versión de una o varias de las siguientes normas:

- UL 507 - Ventiladores eléctricos (Electric Fans)
- CAN/CSA C22.2 No. 113 - Ventiladores (Fans and Ventilators)

Es responsabilidad del instalador determinar si se aplican otros requisitos y/o normas en instalaciones específicas.

## Seguridad del equipo relacionado

Retire toda la cinta y el embalaje antes de usar el electrodoméstico. Destruya el embalaje después de desembalar el electrodoméstico. Nunca deje que los niños jueguen con el material de embalaje.

El electrodoméstico solamente deberá usarse si lo ha instalado un técnico calificado, de acuerdo con estas instrucciones de instalación. El fabricante no es responsable de ningún daño causado por una instalación incorrecta.

Nunca modifique ni altere la construcción del electrodoméstico. Por ejemplo, no retire las patas niveladoras, paneles, cubiertas para cables ni soportes/tornillos antivuelco.

## Advertencia en virtud de la Proposición 65:

Este producto puede contener un químico que el Estado de California reconoce como potencialmente cancerígeno o causante de daños reproductivos. Por tanto, su producto debe llevar en su embalaje la siguiente etiqueta de conformidad con la legislación de California:

ADVERTENCIA EN VIRTUD DE LA PROPOSICIÓN 65 DEL ESTADO DE CALIFORNIA:



**ADVERTENCIA**

Cáncer y daño reproductivo - [www.P65Warnings.ca.gov](http://www.P65Warnings.ca.gov)



---

## Información General

---

### Conducto de escape

**Nota:** La garantía del fabricante del aparato no cubre las reclamaciones que se atribuyan al segmento de conductos.

- El aparato alcanza su potencia óptima con un conducto de salida de aire rectilíneo y corto, que tenga un diámetro lo más grande posible.
- Mediante conductos de salida de aire largos y rugosos, con muchos codos o con un diámetro inferior a 6" (150 mm), no se consigue la capacidad de aspiración óptima y los ruidos del ventilador serán mayores.
- Los tubos o las mangueras para el tendido del conducto de salida del aire deben estar fabricados con material no inflamable.
- Si los diámetros del conducto difieren de lo anteriormente mencionado, utilizar cintas sellantes.

### Requisitos eléctricos

Este aparato debe instalarse y conectarlo a tierra debidamente un técnico cualificado de acuerdo con el estándar National Electrical Code ANSI/NFPA 70 (última versión) y los requisitos de la normativa local sobre conductores eléctricos. **PARA CANADÁ:** la instalación eléctrica debe cumplir el estándar actual CSA C22:1 Canadian Electrical Codes Parte 1 y/o la normativa local.

La línea debe conectarse a la tensión eléctrica y frecuencia adecuadas según se especifica en la placa de características.

### Para el montaje en pared: comprobar la pared

- La pared debe ser plana, vertical y tener suficiente capacidad de carga.
- Dependiendo del tipo de construcción (por ejemplo, muros macizos, plafones de yeso, concreto celular, ladrillos) se deben utilizar medios de fijación adecuados.
- La profundidad de los agujeros debe ser equivalente a la longitud de los tornillos. Los taquetes deben quedar bien sujetos.
- El peso máximo del módulo del ventilador es de **aprox. 20 lbs (9 kg)**.

---

## Antes de empezar

---

### Herramientas y piezas necesarias

- Destornillador con cabeza Torx T20
- Lápiz
- Taladro con broca de ¼" (6 mm)
- Sierra caladora
- Cinta métrica

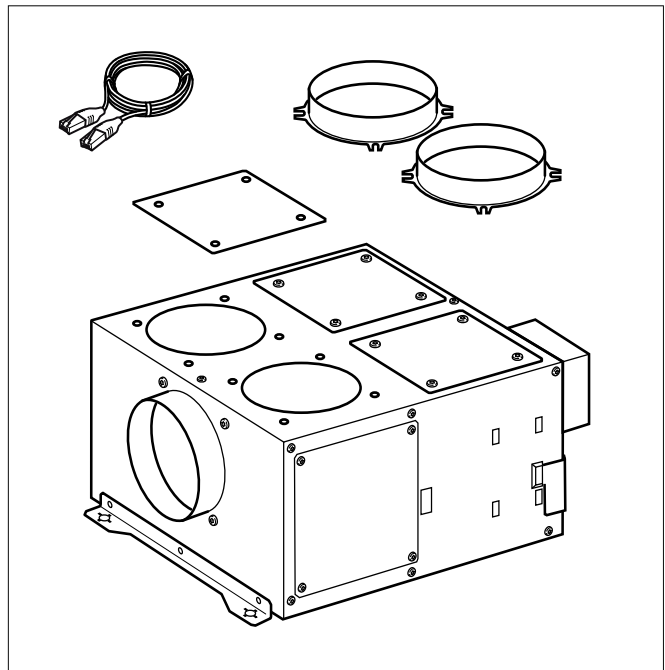
**Nota:** Es posible que se necesiten otros materiales para la instalación en superficies de trabajo sólidas. Comuníquese con el fabricante de la superficie de trabajo.

#### Piezas adicionales requeridas:

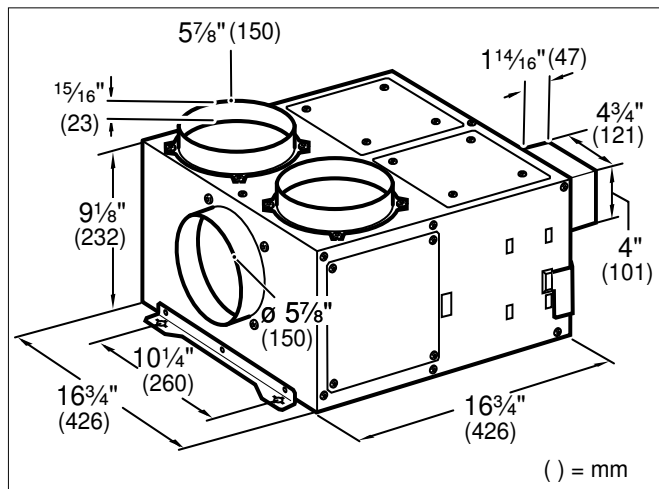
- Conducto de 3 hilos de 1 pulgada
- Conector de cable de 1 pulgada

Utilice solo cable listado CSA/UL de 3 conductores 18x3AWG o superior, tipo de cable SJT.

### Piezas incluidas



## Dimensiones del equipo

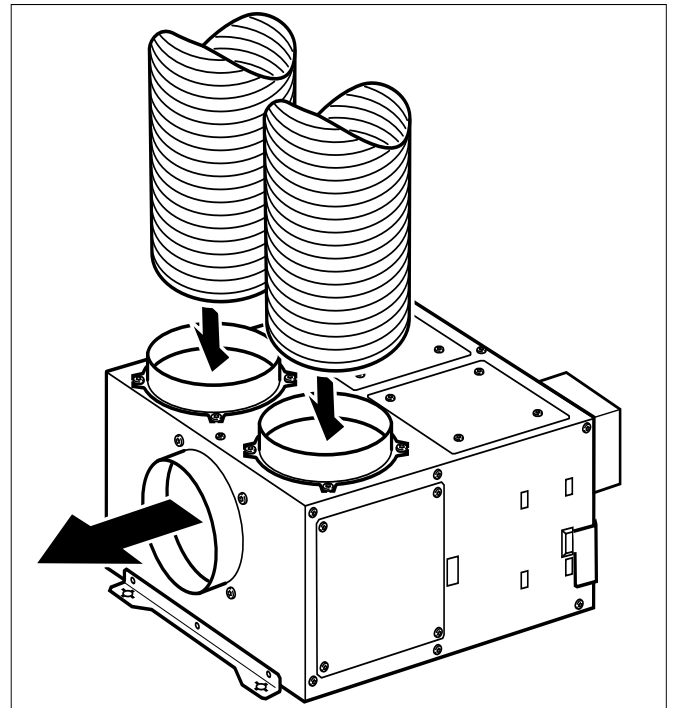


## Instalación del aparato

El módulo del ventilador tiene cinco aberturas de conexión, cuatro en la parte superior del aparato y una lateralmente frente a la abertura de soplado. En el volumen de entrega están incluidos 2 racores de empalme de  $\varnothing 6$ " (150 mm). Puede solicitar otros racores de empalme mediante el número de pedido 653556.

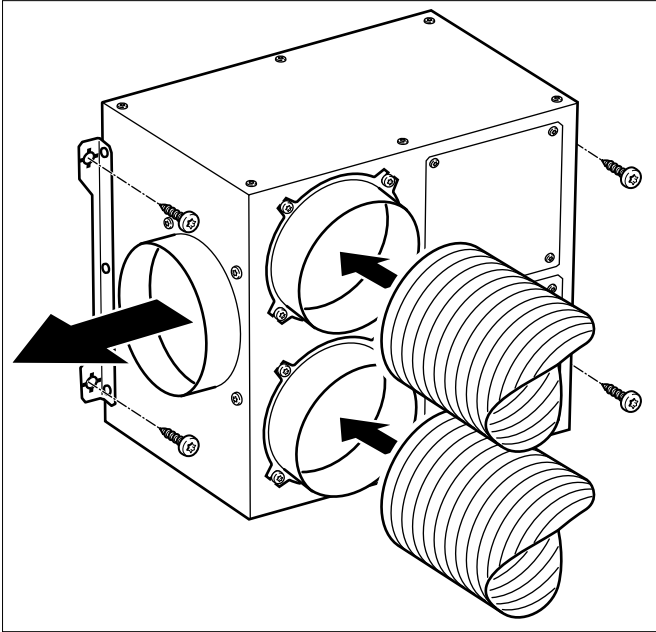
**Nota:** Durante el montaje, prestar atención a la orientación de la salida de aire. Para señalar la dirección del aire hay unas flechas grabadas en la carcasa del aparato.

- 1 Montar los racores de empalme necesarios en el aparato. Cerrar las aberturas de conexión restantes con las láminas que se incluyen.
- 2 El aparato se apoya sobre pies de hule, por lo que no es necesaria una fijación.

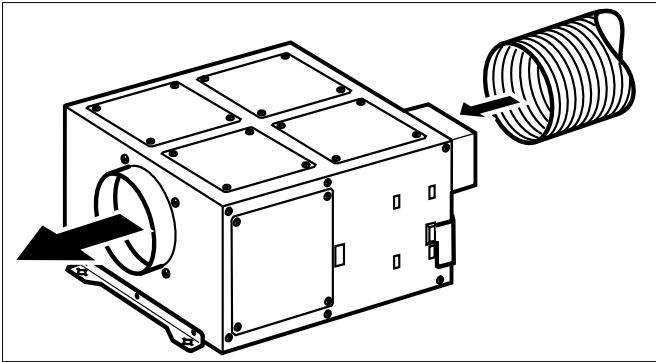


- 3 **Alternativa:** fijar el aparato a la pared con 4 tornillos.

**Nota:** Nivelar el aparato en sentido horizontal.



- 4 Fijar el tubo de salida de aire en el racor de empalme y sellarlo debidamente.

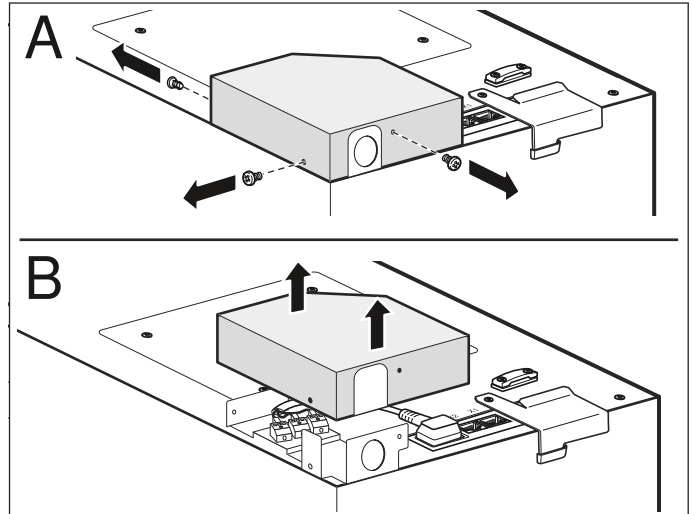


## Conectar el aparato a la red eléctrica

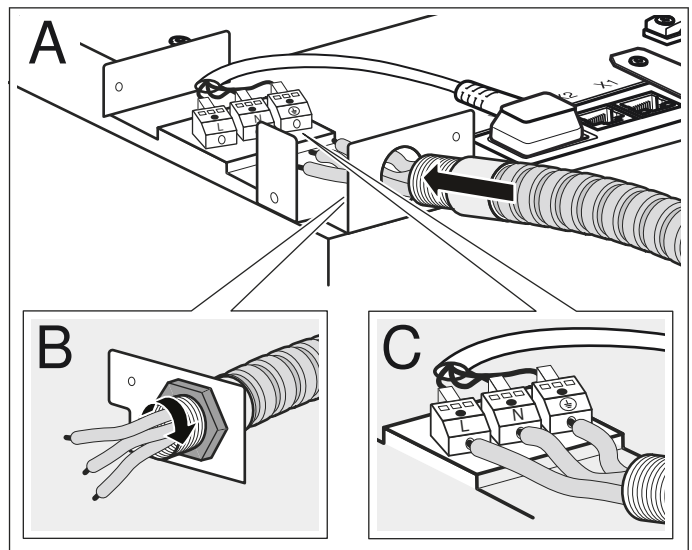
### Conectar el cable de suministro eléctrico

El aparato debe conectarse al suministro eléctrico mediante la instalación de un conducto de 3 hilos con un conducto de 1 pulgada.

- 1 Levantar y retirar la cubierta del bloque de terminales desatornillando los 3 tornillos de fijación.



- 2 Guiar el conducto a través de la abertura para la conexión eléctrica que hay en el elemento de sujeción (A).
- 3 Fijar el conducto con el anillo roscado (B).
- 4 Conectar los cables del cable de alimentación al bloque de terminales (C) y apretar bien los tornillos de los terminales. Realizar las siguientes conexiones:
- L = conectar a cable de fase
  - N = conectar a cable neutro
  - ⊕ = Conectar a cable de tierra

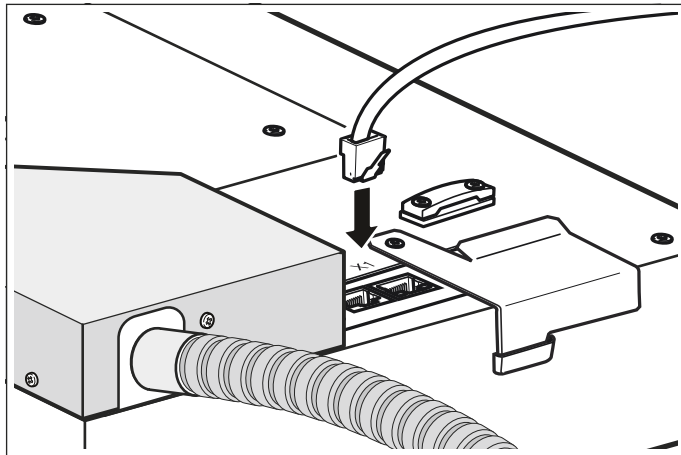


- 5 Sustituir la cubierta del bloque de terminales y fijarla con 3 tornillos de fijación.

#### Conectar el cable de red

Utilizar el cable de control para conectar la unidad de ventilador remota y el ventilador. El conector debe encajarse en su sitio.

**Nota:** Las tomas de conexión X1 y X2 son idénticas.



## Salida de conexión adicional

### **⚠ ADVERTENCIA**

Los trabajos en la salida de conexión adicional solo deben llevarlos a cabo electricistas profesionales que conozcan las disposiciones y normativas vigentes en el país correspondiente.

El aparato dispone de una salida de conexión adicional X16 (contacto libre de potencial) para conectar otros aparatos como, por ejemplo, un equipo de ventilación existente. El contacto se cierra si el ventilador está conectado y se abre si el ventilador está desconectado.

La salida de conexión se encuentra debajo de una cubierta. Potencia de conexión máxima 30 V/1 A (CA/CC). La señal que se conecta al contacto debe ser de la clase de protección 3.

## Conexión para interruptor de contacto de la ventana AA 400 510

Los trabajos en la conexión para el interruptor de contacto de la ventana solo deben llevarlos a cabo electricistas profesionales que conozcan las disposiciones y normativas vigentes en el país correspondiente.

El aparato cuenta con una conexión X17 para un interruptor de contacto de la ventana. El interruptor de contacto de la ventana es adecuado tanto para la instalación encajado como para la instalación en superficie. Se envía el interruptor de contacto de la ventana AA 400 510 por separado, como accesorio. Se deben tomar en cuenta las instrucciones de colocación adjuntas al interruptor de contacto de la ventana.

Cuando el interruptor de contacto de la ventana está conectado, la ventilación de la campana extractora funciona únicamente con la ventana abierta. La iluminación funciona también con la ventana cerrada.

Si se conecta la ventilación con la ventana cerrada, parpadea el pulsador del nivel de ventilación seleccionado y la ventilación permanece desconectada.

Si se cierra la ventana estando conectada la ventilación, el aparato desconecta la ventilación en un intervalo de 5 s. El pulsador del nivel de ventilación seleccionado parpadea.

Un deshollinador debe valorar todas las conexiones de ventilación junto con un interruptor de contacto de la ventana.

## Funcionamiento conectado

Se pueden conectar varios aparatos. Las luces y los ventiladores de todos los aparatos funcionan de forma sincronizada.

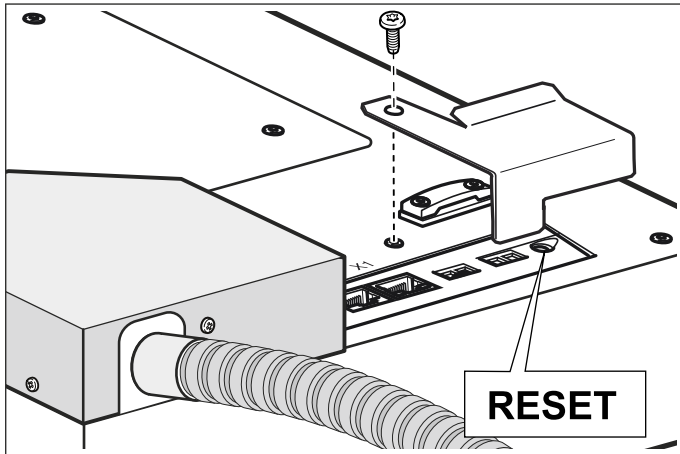
Conectar los aparatos en serie mediante los bornes de conexión X1 y X2 (equivalentes). El orden de la conexión no influye. Si los cables de red suministrados son demasiado cortos, utilizar un cable de red convencional (mín. Cat5, blindado).

Número máximo de conexiones: 20 aparatos. Longitud total de todos los cables de red: 131 pies (40 m). Un profesional calificado debe comprobar la funcionalidad de la instalación en la primera instalación.

Si uno de los aparatos conectados falla (interrupción de la tensión, separación del cable de red), se bloqueará el funcionamiento del ventilador de todo el sistema. Todas las teclas del aparato parpadean.

Si se modifica la configuración, se deberá reiniciar la instalación:

- 1 Desatornillar la tapa protectora.
- 2 Pulsar la tecla Reset hasta que los dos LED se iluminen de forma permanente (aprox. 5 segundos). Después de 5 segundos, soltar la tecla.
- 3 Atornillar la tapa protectora.
- 4 Contactar con profesionales calificados para que comprueben el funcionamiento de la instalación tras el reinicio.



## Conexión de la alimentación eléctrica

### **⚠ ADVERTENCIA**

Antes de enchufar un cable eléctrico para conectarse permanentemente o encender la fuente de alimentación eléctrica, asegurarse de que todos los controles se encuentren en la posición OFF (Apagado).

### **⚠ ADVERTENCIA**

#### **Peligro de descarga eléctrica**

Los componentes dentro del equipo pueden tener bordes filosos. Puede dañarse el cable de conexión. No retorcer ni constreñir el cable durante la instalación.

Unir el conducto flexible con la caja de empalmes. La caja de empalmes debe quedar accesible después de la instalación.

Para facilitar las tareas de revisión y mantenimiento, el conducto flexible debe tenderse de manera que permita una retirada provisional del aparato.

## Pruebe la instalación

### **⚠ ADVERTENCIA**

Antes de enchufar un cable eléctrico para conectarse permanentemente o encender la fuente de alimentación eléctrica, asegurarse de que todos los controles se encuentren en la posición OFF (Apagado).

Encienda el disyuntor.

Verifique que los elementos funcionen correctamente.

## Desmontar el aparato

Desconectar el aparato de la corriente. Soltar el cable de control. Soltar las conexiones de salida de aire. Extraer el aparato.

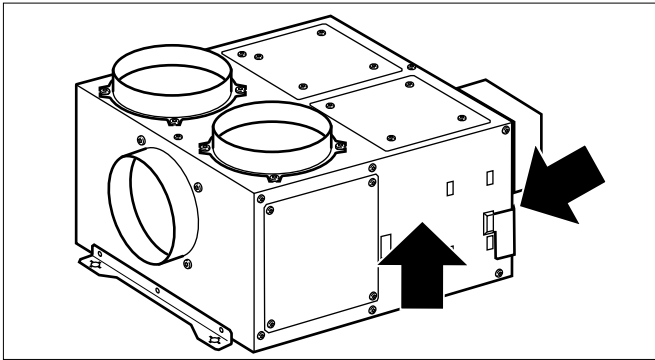
---

## Servicio de Atención al Cliente

---

Si su aparato requiere reparación, nuestro Servicio de Atención al Cliente está a su disposición. Trabajamos duro para ayudar a resolver los problemas de forma rápida y sin llamadas de servicio innecesarias, consiguiendo que su aparato vuelva a funcionar correctamente en el menor tiempo posible.

Cuando llame, por favor indique el número de producto (E-Nr.) y el número de serie (FD-Nr.) de manera que lo podamos apoyar de manera calificada. Encontrará las placas de características con estos números en la parte frontal y lateral del aparato.



Para evitar tener que buscar durante mucho tiempo cuando lo necesite, puede introducir los datos de su aparato y el número de teléfono de atención al cliente aquí.

---

**E-Nr.**

**FD-Nr.**

---

**Servicio de Atención al Cliente** ☎

---

Lea las instrucciones de uso y cuidado que se suministran con su aparato. El no hacerlo puede dar lugar a un error al usar el aparato. Esto podría conllevar a una llamada de servicio que, en lugar de arreglar un problema mecánico, sea solo necesaria para instruir al cliente. Tales llamadas no están cubiertas por la garantía del aparato.

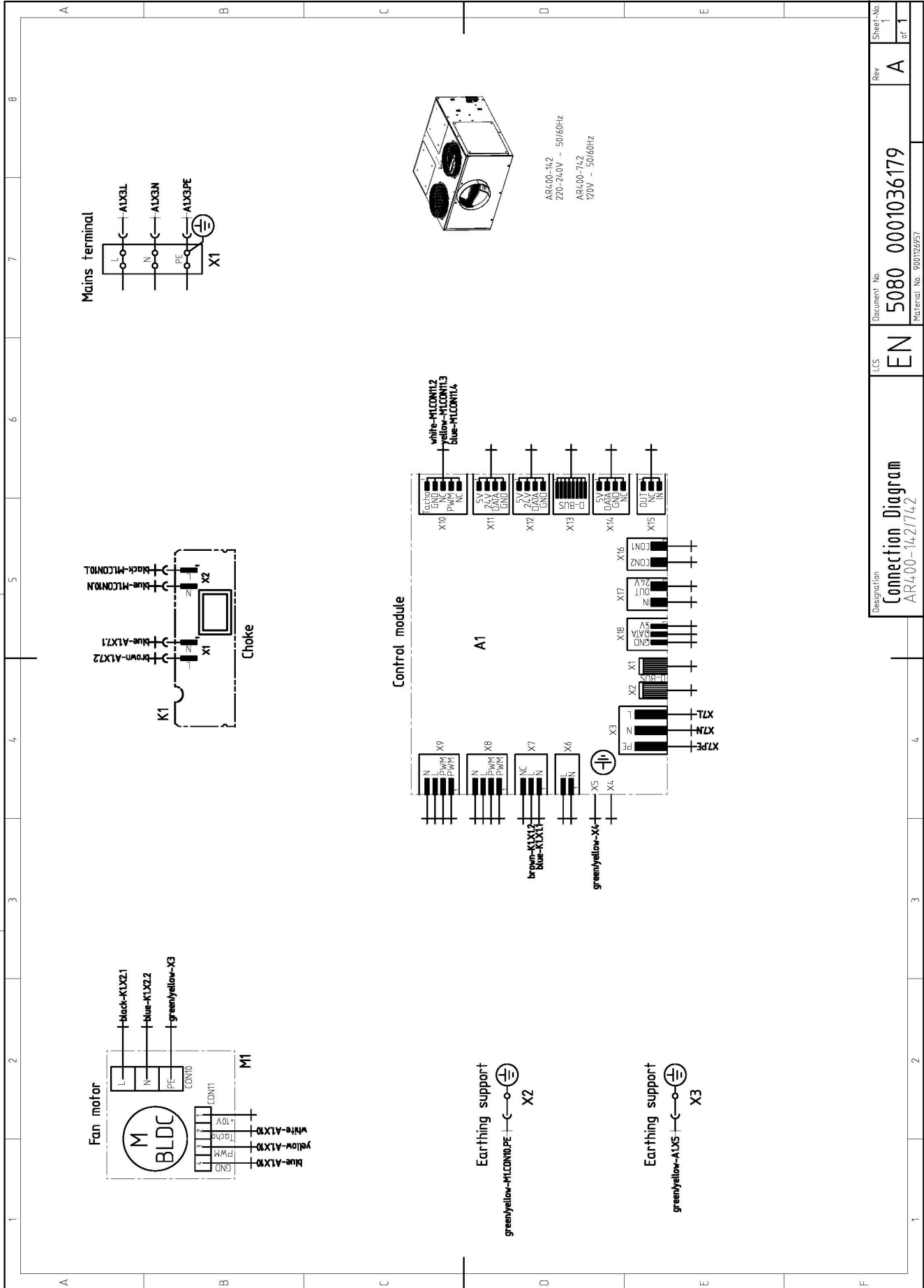
Las señas de las delegaciones internacionales figuran en la lista adjunta de centros y delegaciones del Servicio de Asistencia Técnica Oficial.

### **Solicitud de reparación y asesoramiento en caso de averías**

**US** 877 442 4436  
toll-free

The reproduction, transmission or use of this document or its contents is not permitted without express written authority. Orders will be liable for damages. All rights including patent, copyright, reserved.

Intended changes opposing release specimen or specification offer must be advised in time and may only be introduced following written clearance. Deviating designs will be refused.



**Gaggenau**

BSH Home Appliance Corporation  
1901 Main Street, Suite 600  
Irvine, CA 92614  
+1-877-442-4436

[www.gaggenau.com/us](http://www.gaggenau.com/us)

© 2018 BSH Home Appliances

**Gaggenau Hausgeräte GmbH**

Carl-Wery-Straße 34  
81739 München  
GERMANY

**GAGGENAU**



9000974058 en-us, es-mx, fr-ca (981221)