

Gaggenau

Installation instructions2

Notice de montage12

Instrucciones de instalación22

BO 450/451 612

BO 480/481 613

Oven
Four
Horno

Table of Contents

▲ Safety Definitions	2
IMPORTANT SAFETY INSTRUCTIONS	3
Appliance Handling Safety	3
Safety Codes and Standards	3
Electric Safety	3
Related Equipment Safety	4
Proposition 65 Warning	4
Transport	4
Before you begin	5
Tools and parts needed	5
Parts included	5
Power Requirements	5
Planning notes	5
Preparing Kitchen Units	5
Dimensions and Cabinet Requirements	6
General Cabinet Requirements	6
Dimensions for 24" Wall-Mounted Units	6
Dimensions for 30" Wall-Mounted Units	7
Removing Packaging	8
Install Appliance	8
Mount to Cabinet	8
Adjusting the door	9
Connect Electrical Supply	10
Connection to the home network (LAN)	10
Combination with combi-steam oven	10
Combination with warming drawer, width 24" (60 cm)	10
Combination with warming drawer, width 30" (76 cm)	10
Check the Installation	10
Removal	10
Customer service	11

▲ Safety Definitions

▲ WARNING

This indicates that death or serious injuries may occur as a result of non-observance of this warning.

▲ CAUTION

This indicates that minor or moderate injuries may occur as a result of non-observance of this warning.

NOTICE

This indicates that damage to the appliance or property may occur as a result of non-compliance with this advisory.

Note: This alerts you to important information and/or tips.

IMPORTANT SAFETY INSTRUCTIONS

READ AND SAVE THESE INSTRUCTIONS

WARNING

If the information in this manual is not followed exactly, fire or shock may result causing property damage or personal injury.

WARNING

Do not repair, replace or remove any part of the appliance unless specifically recommended in the manuals. Improper installation, service or maintenance can cause injury or property damage. Refer to this manual for guidance. All other servicing should be done by an authorized servicer.

Appliance Handling Safety

Unit is heavy and requires at least two people or proper equipment to move.

Do not lift appliance by door handle.



Hidden surfaces may have sharp edges. Use caution when reaching behind or under appliance.

Safety Codes and Standards

This appliance complies with the latest version of one or more of the following standards:

- CAN/CSA C22.2 No. 61 - Household Cooking Ranges
- UL 858 - Household Electric Ranges

- CAN/CSA C22.2 No. 150 - Microwave Ovens
- UL 923 - Microwave Cooking Appliances
- CSA C22.2 No. 64 - Household Cooking and Liquid-Heating Appliances
- UL 1026 - Electric Household Cooking and Food Serving Appliances

It is the responsibility of the owner and the installer to determine if additional requirements and/or standards apply to specific installations.

Electric Safety

Before you plug in an electrical cord, be sure all controls are in the OFF position.

If required by the National Electrical Code (or Canadian Electrical Code), this appliance must be installed on a separate branch circuit.

Installer - show the owner the location of the circuit breaker or fuse. Mark it for easy reference.

Important - save these instructions for the local electrical inspector's use.

Before installing, turn power OFF at the service panel. Lock service panel to prevent power from being turned ON accidentally.

Refer to data plate for more information. See "Data Plate" under "Service" for data plate location.

Be sure your appliance is properly installed and grounded by a qualified technician. Installation, electrical

IMPORTANT SAFETY INSTRUCTIONS

READ AND SAVE THESE INSTRUCTIONS

connections and grounding must comply with all applicable codes.

Related Equipment Safety

Remove all tape and packaging before using the appliance. Destroy the packaging after unpacking the appliance. Never allow children to play with packaging material

Never modify or alter the construction of the appliance. For example, do not remove leveling legs, panels, wire covers or anti-tip brackets/screws.

Before starting up the appliance, remove any packaging material and adhesive film from the cooking compartment and the door.

Proposition 65 Warning:

This product may contain a chemical known to the State of California, which can cause cancer or reproductive harm. Therefore, the packaging of your product may bear the following label as required by California:

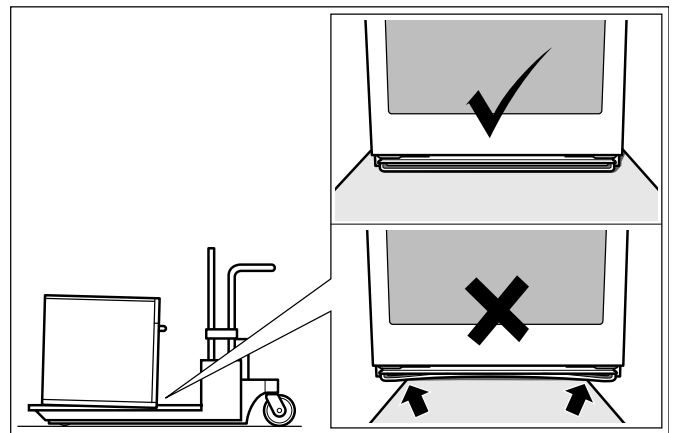
STATE OF CALIFORNIA PROPOSITION 65 WARNING:

 **WARNING**

Cancer and Reproductive Harm - www.P65Warnings.ca.gov

Transport

To avoid damage to the oven vent, use the transport method shown in the picture below.



Before you begin

Tools and parts needed

- Philips head screwdriver
- 1/8" drill bit and drill
- Measuring tape

Parts included

- Built-in oven
- 3 Torx screws

Power Requirements

The outlet must be properly grounded in accordance with all applicable codes.

Planning notes

Door hinge not interchangeable.

Distance from furniture body to door front 1.85" (47 mm).

Distance from furniture body to outer edge of door handle 3.7" (94 mm) after retrofitting the handle (special accessory).

Pay attention to the front protrusion, possibly including the door handle, for opening drawers at the sides.

When planning a corner solution, pay attention to the door opening angle of at least 90°.

Preparing Kitchen Units

Kitchen units must be temperature-resistant up to 195° F (90 °C) and adjoining furniture frontages up to 160° F (70 °C).

Ventilation cut-out in the built-in cupboard's intermediate shelf: at least 0.8 in to 1.65 ft (20 x 500 mm).

The wall socket must be outside the built-in niche.

Cut recesses on the furniture before inserting the appliance. Remove any shavings, as these can affect the operation of electrical components.

Secure unsecured furniture items to the wall using a commercially available bracket.

Only install the appliance so high that accessories can be removed with ease.

Dimensions and Cabinet Requirements

General Cabinet Requirements

Cabinet requirements vary depending on the model to be installed. Please consult the section "Dimensions" for the details pertaining to your particular model.

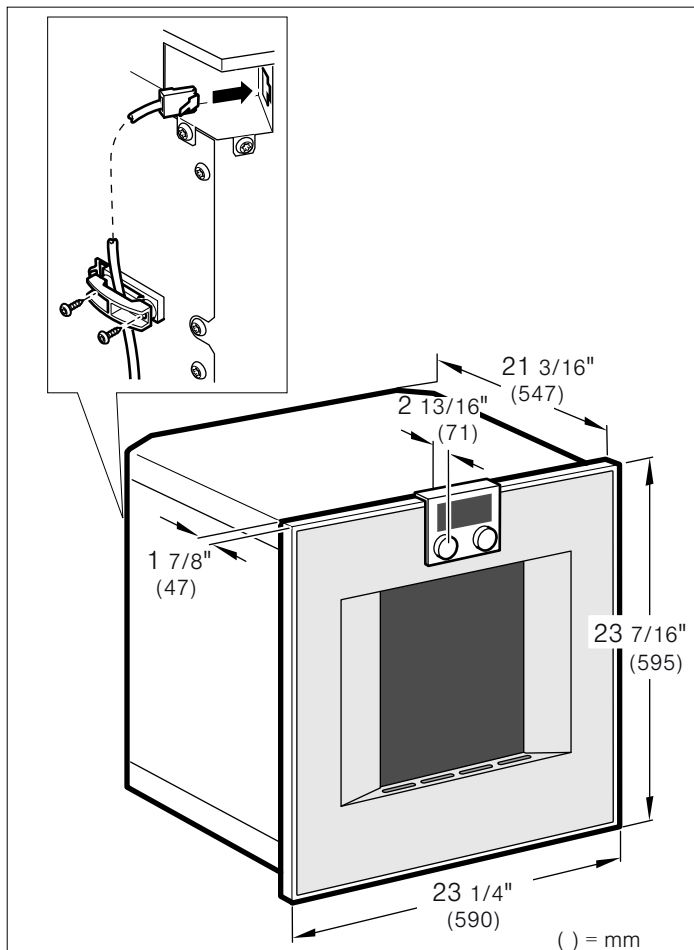
All models require:

- 1/4" (6.4 mm) space between the side of the appliance and an adjacent wall or cabinet door when installed at the end of a cabinet run.
- The cabinet base must be flat and capable of supporting the weight of your appliance when in use. See the appropriate weight for your model in the "Dimensions" section pertaining to your particular model.

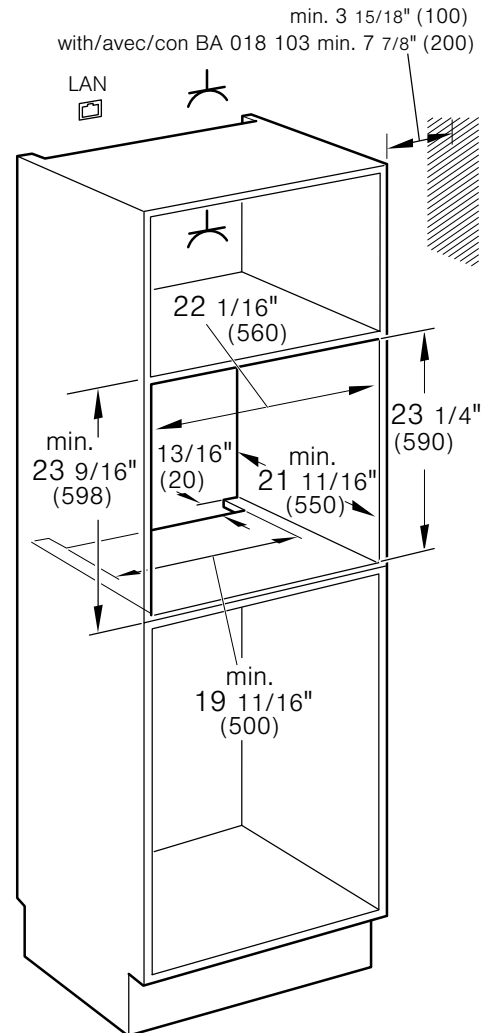
Dimensions for 24" Wall-Mounted Units

BO 450/451-612

Appliance Dimensions



Cabinet Dimensions



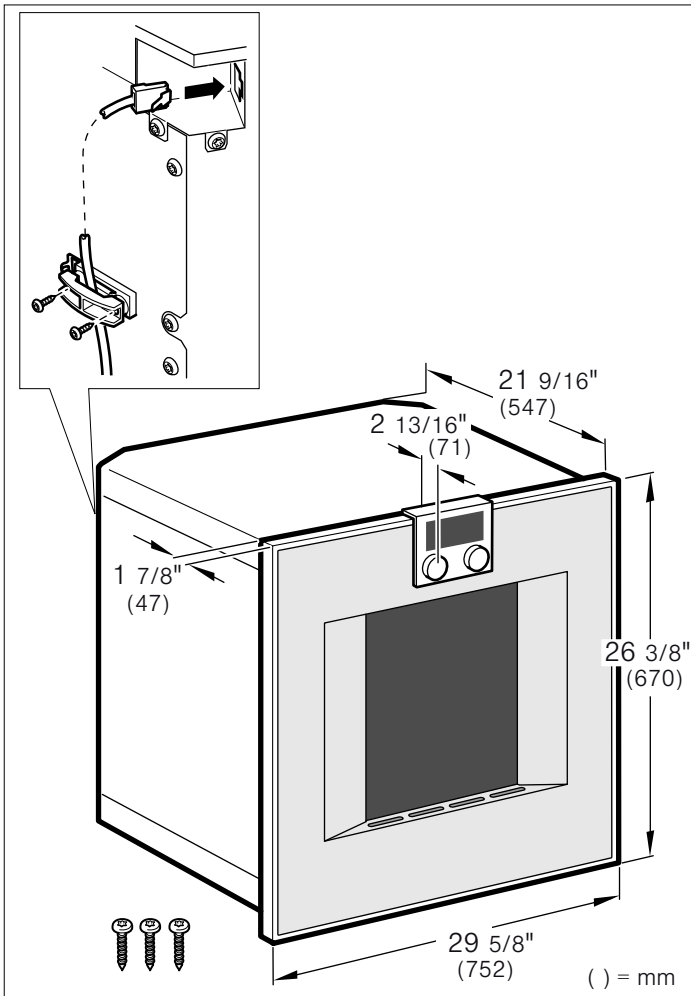
NOTICE

The cabinet base must be flat and capable of supporting a weight of at least 142 lbs (64.1 kg).

Dimensions for 30" Wall-Mounted Units

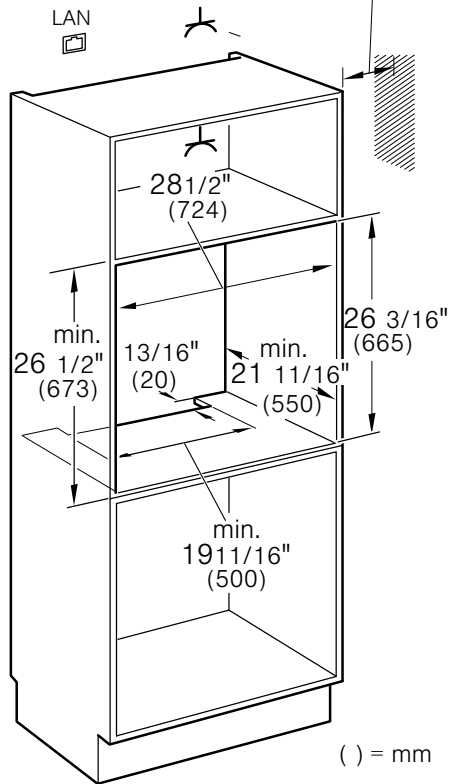
BO 480/481-613

Appliance Dimensions



Cabinet Dimensions

min. $3 \frac{15}{18}$ " (100)
with/avec/con BA 018 103 min. $7 \frac{7}{8}$ " (200)



NOTICE

The cabinet base must be flat and capable of supporting a weight of at least 169.5 lbs (76.9 kg).

Removing Packaging

NOTICE

To prevent damage to your floor keep the unit in its packaging base until ready to be placed in the cabinet opening. Do not slide the unit across the flooring.

Different models use different packaging materials. Actual brackets may look differently. Bracket remains in packaging base.

1. Cut straps on outside of box.
2. Remove cardboard box.
3. Remove all top and side cardboard and Styrofoam braces.
4. Place oven in front of cabinets where it is to be installed.

Install Appliance

Note: The appliance is heavy. It is advisable to install it with a second person.

NOTICE

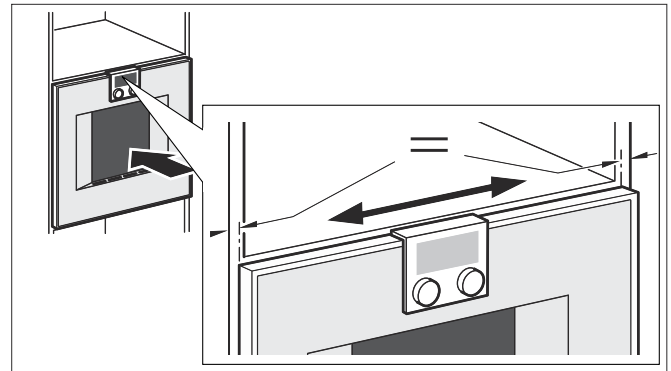
Before installing the appliance, be sure to verify the cabinet dimensions and electrical connections.

Mount to Cabinet

If there is no fitted shelf above the appliance, secure the appliance against tipping over when the door is opened. Fit two standard angles $\frac{3}{16}$ " (5 mm) above the appliance at $17\frac{3}{4}$ " (450 mm) depth inside the cabinet.

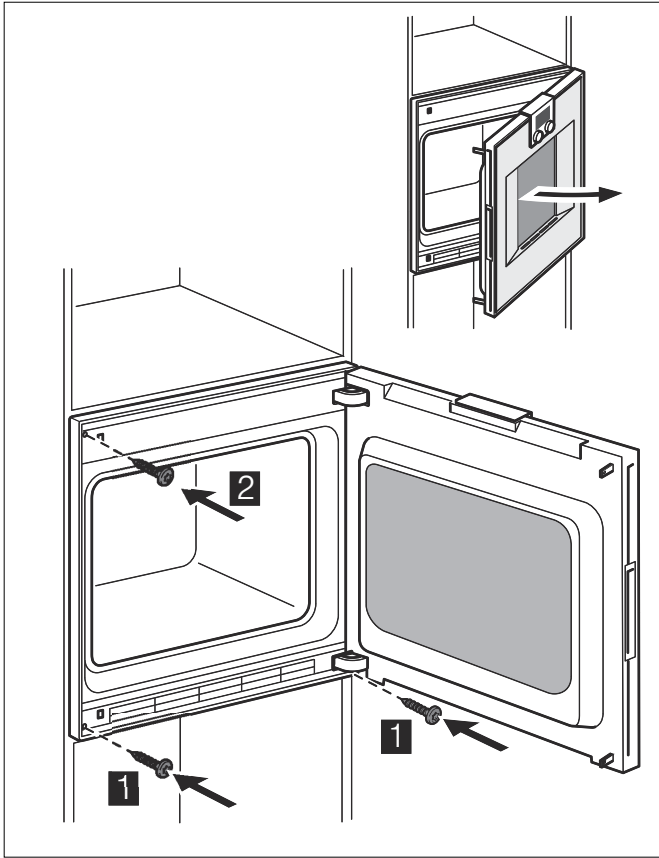
1. Do not kink or trap the connecting cable, or route it over sharp edges.
2. Centre the appliance.

There must be an air gap of $\frac{3}{16}$ " (5 mm) between the appliance and adjacent cabinets.



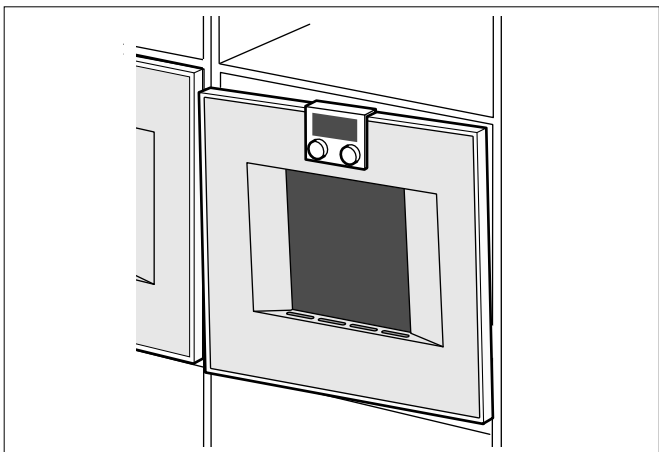
3. Using a spirit level, adjust the appliance so that it is perfectly level.

- Screw the appliance into place. Remove the transportation lock from the door.

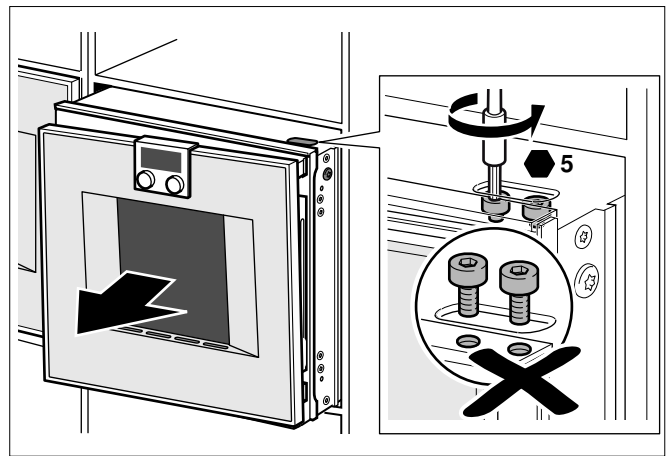


Adjusting the door

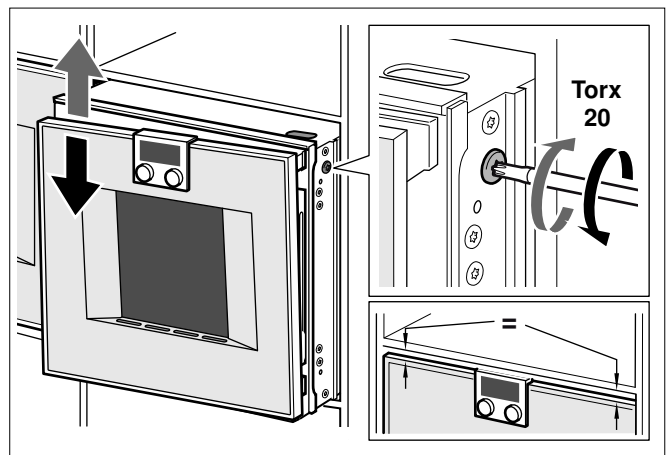
For precise alignment, the appliance door can be slightly adjusted.



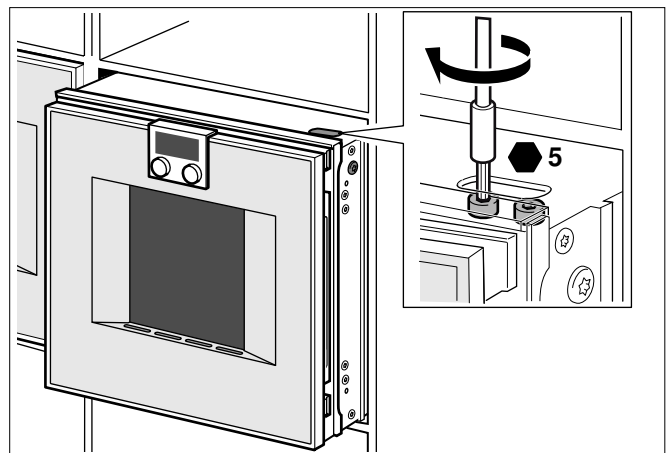
For this purpose, slightly pull out the appliance from the built-in cut-out. At the top of the appliance there is an oval opening located on the hinge side. Slightly loosen both screws (Inbus 5 mm), but do not remove them!



Align the door via the lateral screw (Torx 20).



Tighten both screws (Inbus 5 mm) again.



Notes

- The alignment of the appliance door can be adjusted via the upper hinge, in order to achieve a precise gap size of the top edge of the door to the upper air output.
- The height of the door cannot be adjusted.
- The device door is already aligned when the appliance is delivered. You do not normally need to align the door.

Connect Electrical Supply

Three wire connection

BO 450/451-612

1. Connect red wire from oven to red electrical supply wire (hot wire).
2. Connect black wire from oven to black electrical supply wire (hot wire).
3. Connect yellow/green ground oven wire to bare ground electrical supply wire.

Attach flexible conduit to the junction box.

To facilitate serviceability, the flex conduit must not be shortened and should be routed to allow for temporary removal of the oven.

Four wire connection

BO 480/481-613

1. Connect red wire from oven to red electrical supply wire (hot wire).
2. Connect black wire from oven to black electrical supply wire (hot wire).
3. Connect white wire from oven to white electrical supply wire (neutral).
4. Connect yellow/green ground oven wire to electrical supply ground wire.

Attach flexible conduit to the junction box.

To facilitate serviceability, the flex conduit must not be shortened and should be routed to allow for temporary removal of the oven.

Connection to the home network (LAN)

This appliance is network-compatible and can be connected to the home network using a LAN cable (LAN cable not included). Before installation, plug the LAN cable into the socket on the rear of the appliance and secure it using the strain relief. Connect the LAN cable to a network socket.

Combination with combi-steam oven

Fit the combi-steam oven first. Pay attention to the combi-steam oven's installation instructions.

For an installation depth of 550 mm (approx. 1.8 ft), position the water hoses and the connecting cable in the area of the housing cut-out.

Combination with warming drawer, width 24" (60 cm)

Fit the warming drawer first. Pay attention to the warming drawer's installation instructions.

Slide the oven onto the warming drawer and into the built-in cabinet. When sliding it in, do not damage the warming drawer's panel.

Combination with warming drawer, width 30" (76 cm)

Installation BO/BS (width 30" (76 cm)) over warming drawer WS only with dimensionally stable partition floor.

Check the Installation



WARNING

Before you plug in an electrical cord or turn on power supply, make sure all controls are in the OFF position.

Switch on the circuit breaker.

Verify that elements function properly.

Removal


1. Disconnect the appliance from the power supply.
2. Undo the fastening screws.
3. Raise the appliance slightly and pull it out completely.

Customer service

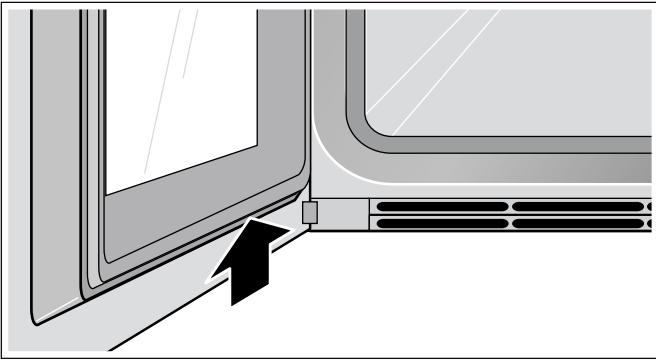
If your appliance needs repairs, our customer service is there for you. We work hard to help solve problems quickly and without unnecessary service calls, getting your appliance back up and running correctly in the least amount of time possible.

When you call, please indicate the product number (E-Nr.) and serial number (FD-Nr.) so that we can support you in a qualified manner. You will find the type plate with these numbers on the bottom of the appliance. To avoid having to search for a long time when you need it, you can enter your appliance data and the customer support telephone number here.

E-Nr.	FD-Nr.
-------	--------

Customer Service 

Please read the use and care instructions provided with your appliance. Failure to do so may result in an error in using the appliance. This could result in a service call that instead of fixing a mechanical issue is only needed for customer education. Such calls are not covered by the appliance warranty.



Please find the contact data of all countries in the enclosed customer service list.

To book a service visit and product advice

USA 877 442 4436
toll-free

CANADA 877 442 4436
toll-free

Table des matières

▲ Définitions de sécurité	12
IMPORTANTES CONSIGNES DE SÉCURITÉ	13
Sécurité de manutention des appareils	13
Codes et normes de sécurité	13
Sécurité électrique	13
Sécurité apparentée concernant l'équipement	14
Avertissement issu de la proposition 65	14
Transport	14
Avant de commencer	15
Outils et pièces nécessaires	15
Pièces comprises	15
Exigences électriques	15
Instructions de conception	15
Préparation des meubles	15
Exigences en matière de dimensions et d'armoire	16
Exigences générales concernant le meuble	16
Dimensions pour les unités installées au mur de 24 po (60 cm)	16
Dimensions pour les unités installées au mur de 30 po (76 cm).	17
Pour enlever l'emballage	18
Installation de l'appareil	19
Fixation à l'armoire	19
Ajustement de la porte	19
Brancher l'alimentation électrique	20
Connexion au réseau domestique (LAN)	20
Association avec un four à vapeur	20
Combinaison avec un tiroir chauffant de largeur 24 po (60 cm)	21
Combinaison avec un tiroir chauffant de largeur 30" (76 cm)	21
Vérification de l'installation	21
Dépose	21
Service après-vente	21

▲ Définitions de sécurité

▲ AVERTISSEMENT

Ceci indique que le non-respect de cet avertissement peut entraîner des blessures graves, voire la mort.

▲ ATTENTION

Ceci indique que le non-respect de cet avertissement peut entraîner des blessures légères ou de gravité moyenne.

AVIS

Ceci indique que la non-conformité à cet avis de sécurité peut entraîner des dégâts matériels ou endommager l'appareil.

Remarque : Ceci vous signale des informations et/ou indications importantes.

IMPORTANTES CONSIGNES DE SÉCURITÉ

LIRE ET CONSERVER CES INSTRUCTIONS

AVERTISSEMENT

Si l'information de ce guide n'est pas suivie exactement, il peut en résulter un incendie ou un choc électrique causant des dommages à la propriété, des blessures ou la mort.

AVERTISSEMENT

Ne réparez, remplacez, ni ne retirez aucune partie de l'appareil, excepté si les manuels recommandent de le faire. Une installation, un entretien ou une inspection incorrects peuvent occasionner des blessures ou des dommages matériels. Reportez-vous au présent manuel pour obtenir des indications. Toute autre intervention doit être effectuée par un technicien agréé.

Sécurité de manutention des appareils

Cet appareil est lourd et il faut au moins deux personnes ou l'équipement approprié pour le déplacer.

Ne pas soulever l'appareil par la poignée de la porte.



Certaines surfaces peuvent avoir des bords tranchants. Faire attention en étendant le bras derrière l'appareil ou en dessous.

Codes et normes de sécurité

Cet appareil est conforme aux plus récentes versions de l'une ou plus des normes suivantes :

- CAN/CSA C22.2 No. 61 - Cuisinières pour usage ménager (Household Cooking Ranges)
- UL 858 - Cuisinières électriques domestiques (Household Electric Ranges)
- CAN/CSA C22.2 No. 150 - Fours à micro-ondes (Microwave Ovens)
- UL 923 - Appareils de cuisson à micro-ondes (Microwave Cooking Appliances)
- CSA C22.2 No. 64 - Appareils de cuisson domestique et de chauffage des liquides (Household Cooking and Liquid-Heating Appliances)
- UL 1026 - Appareils électriques domestiques pour la cuisson et la préparation des aliments (Electric Household Cooking and Food Serving Appliances)

Il incombe au propriétaire et à l'installateur de déterminer si des exigences et/ou normes additionnelles s'appliquent pour des installations spécifiques.

Sécurité électrique

Avant de brancher le cordon électrique, vérifier que toutes les commandes sont dans la position "OFF" (Arrêt).

S'il y a lieu, conformément au Code national de l'électricité (ou au Code canadien de l'électricité), cet appareil doit

IMPORTANTES CONSIGNES DE SÉCURITÉ

LIRE ET CONSERVER CES INSTRUCTIONS

être installé sur un circuit de dérivation séparé.

Installateur - indiquer au propriétaire l'emplacement du disjoncteur ou du fusible. Identifier sa position pour pouvoir le retrouver facilement plus tard.

Important - Conserver ces instructions pour l'usage de l'inspecteur local en électricité.

Avant l'installation, couper le courant au panneau de service. Verrouiller le panneau de service pour éviter que le courant ne soit accidentellement rétabli.

Pour plus d'informations, se reporter à la plaque signalétique. Pour connaître l'emplacement de la plaque signalétique, voir "Plaue signalétique" sous "Entretien".

S'assurer que l'appareil est adéquatement installé et mis à la terre par un technicien qualifié. L'installation, les connexions électriques et la mise à la terre doivent être conformes à tous les codes applicables.

Sécurité apparentée concernant l'équipement

Retirer le ruban adhésif et l'emballage avant d'utiliser l'appareil. Détruire l'emballage après avoir déballé l'appareil. Ne jamais laisser les enfants jouer avec les matériaux de conditionnement.

Ne jamais modifier ni altérer la configuration de l'appareil. Par exemple, ne pas retirer les pieds de nivellement,

les panneaux, les couvercles de câblage ou les fixations/vis antibasculement.

Avant d'allumer l'appareil, retirez tout matériel d'emballage ou pellicule adhésive du compartiment de cuisson et de la porte.

Avertissement issu de la proposition 65 :

Ce produit pourrait contenir un produit chimique reconnu par l'État de la Californie comme cancérigène ou ayant des effets nocifs sur la reproduction. Par conséquent, l'emballage de votre produit pourrait porter l'étiquette suivante, comme requis par la Californie :

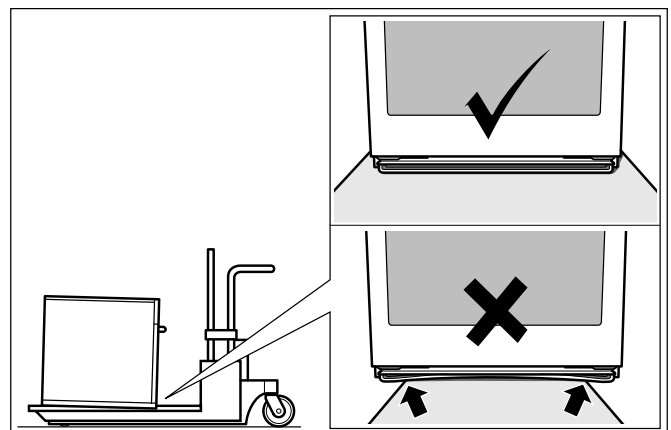
AVERTISSEMENT ISSUE DE LA PROPOSITION 65 DE L'ÉTAT DE LA CALIFORNIE :

 **AVERTISSEMENT**

Cancer et dommages à la reproduction -
www.P65Warnings.ca.gov

Transport

Pour éviter tout dommage à l'événement du four, utiliser la méthode de transport illustrée ci-dessous.



Avant de commencer

Outils et pièces nécessaires

- Tournevis cruciforme
- Mèche de 1/8 po (3 mm) et perceuse
- Ruban à mesurer

Pièces comprises

- Four encastré
- 3 vix Torx

Exigences électriques

La prise doit être correctement reliée à la terre selon tous les codes applicables.

Instructions de conception

Sens d'ouverture de la porte non modifiable.

Distance corps du meuble – façade de la porte 47 mm.

Distance corps du meuble – bord extérieur de la poignée de porte 94 mm (s'il s'agit de la poignée ajoutée, accessoire spécial).

Pour permettre l'ouverture de tiroirs latéraux, tenir compte du débordement avant, y compris de la poignée de porte.

Si une pose en angle est envisagée, tenir compte d'un angle minimum d'ouverture de la porte de 90°.

Préparation des meubles

Les meubles recevant les appareils doivent pouvoir résister à la chaleur jusqu'à 195° F (90 °C), et les façades des meubles voisins jusqu'à 160° F (70 °C).

Découpe d'aération dans le fond intermédiaire du meuble : mini 20 x 500 mm.

Le prise de branchement doit se trouver hors de la niche d'encastrement.

Effectuer les opérations de découpe du meuble avant d'y insérer l'appareil. Enlever les copeaux qui pourraient perturber le fonctionnement de composants électriques.

Fixer au mur au moyen d'une équerre du commerce les meubles non fixés.

Poser l'appareil à une hauteur permettant d'en retirer facilement les accessoires.

Exigences en matière de dimensions et d'armoire

Exigences générales concernant le meuble

Les exigences concernant le meuble dépendent du modèle à poser. Veuillez consulter le chapitre "Dimensions" pour obtenir des précisions sur votre modèle.

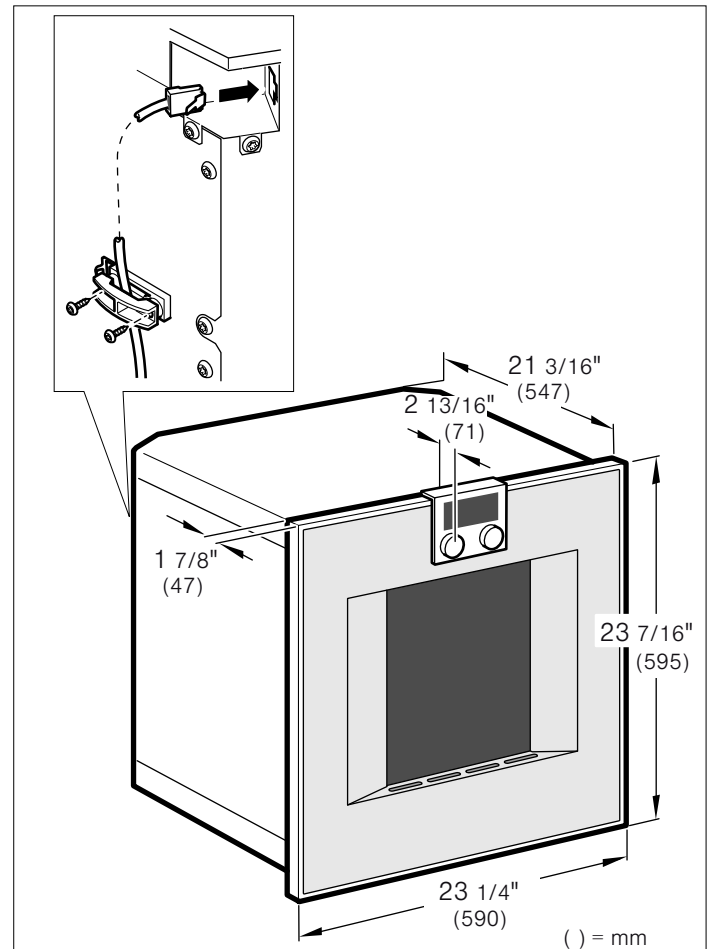
Tous les modèles exigent :

- Un espace de $\frac{1}{4}$ po (6.4 mm) entre la paroi latérale du four et le mur adjacent ou la porte de l'armoire s'il l'unité est installée à la fin d'une série d'armoire.
- Le socle du meuble doit être plat et doit pouvoir supporter le poids de l'appareil lorsqu'il est en service. Pour connaître le poids exact de votre modèle, consultez le chapitre "Dimensions".

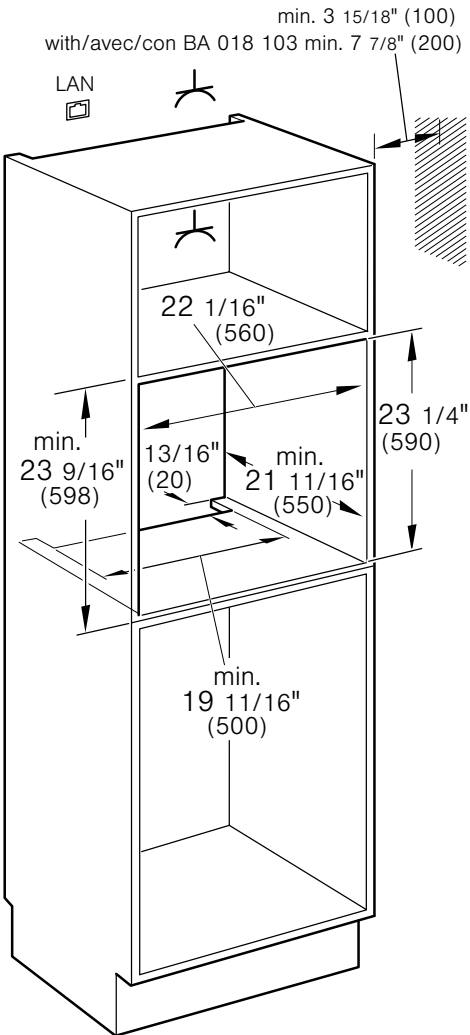
Dimensions pour les unités installées au mur de 24 po (60 cm)

BO 450/451-612

Dimensions de l'appareil



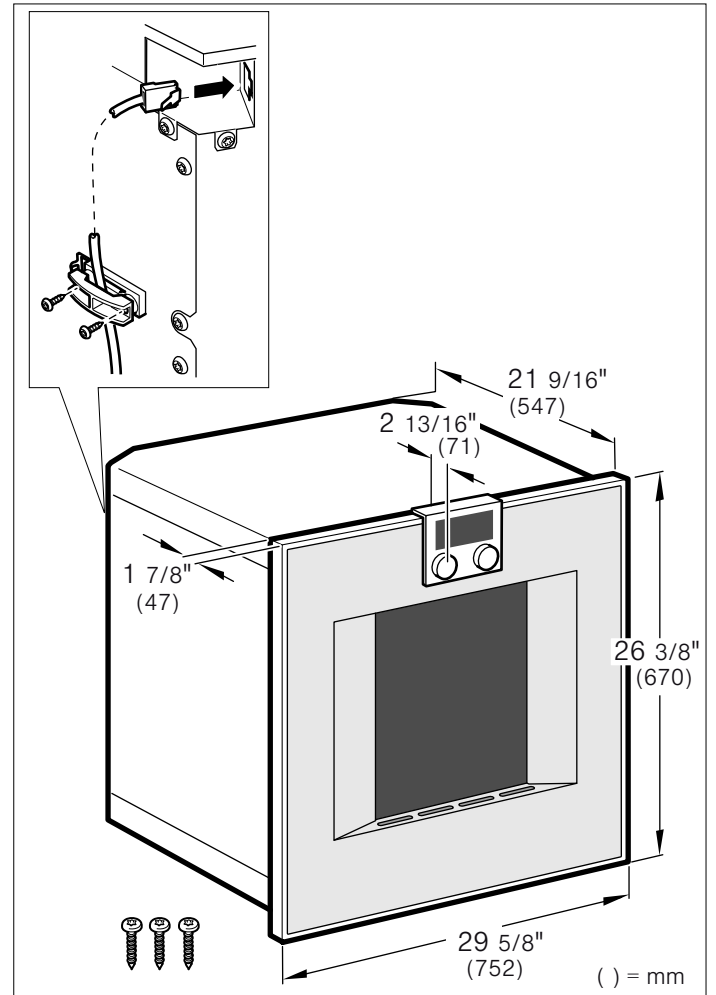
Dimensions de la découpe des armoires



Dimensions pour les unités installées au mur de 30 po (76 cm).

BO 480/481-612

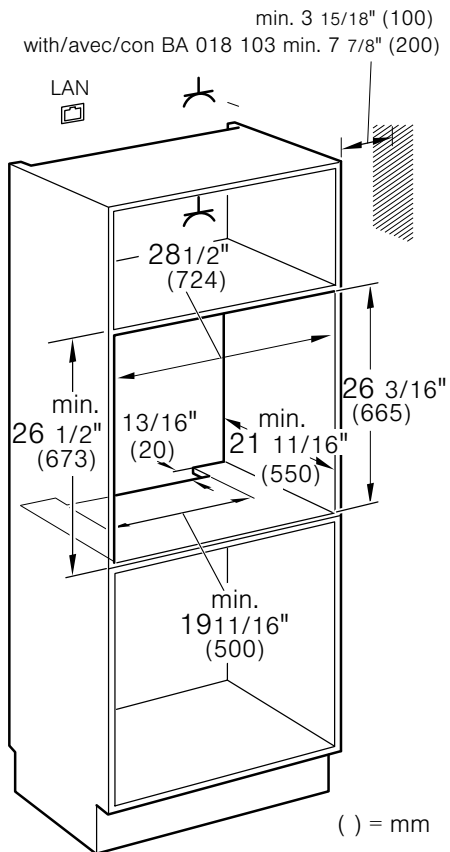
Dimensions de l'appareil



AVIS

Le socle du coffret doit être plate et apte à soutenir un poids d'au moins 142 lbs (64.1 kg).

Dimensions de la découpe des armoires



Pour enlever l'emballage

AVIS

Pour éviter d'endommager le plancher, laissez l'unité dans la portion inférieure de l'emballage jusqu'au moment de le placer dans l'ouverture de l'armoire. Ne pas faire glisser l'unité sur le plancher.

Différents emballages sont employés selon les modèles. Les supports peuvent avoir l'air différents. Les supports restent dans la base de l'emballage.

1. Couper les attaches à l'extérieur de la boîte.
2. Enlever la boîte de carton.
3. Retirer le carton sur le dessus et sur les côtés ainsi que les pièces d'arrimage en styromousse.
4. Placez le four devant l'armoire à l'endroit où il sera installé.

AVIS

Le socle du coffret doit être plat et apte à soutenir un poids d'au moins 169.5 lb (76.9 kg).

Installation de l'appareil

Remarque : L'appareil est lourd. Pour l'insérer dans la découpe, faite-vous aider par une autre personne.

AVIS

Avant d'installer l'appareil, prendre soin de vérifier la dimension du coffret et les raccordements électriques.

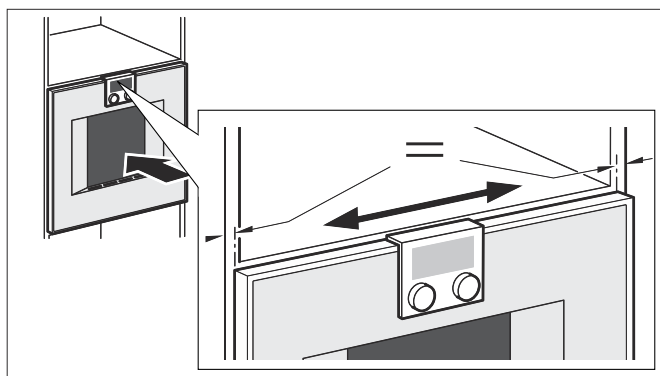
Fixation à l'armoire

En l'absence de tablette au-dessus de l'appareil, immobilisez l'appareil pour l'empêcher de basculer quand la porte est ouverte. Fixez deux équerre standards $\frac{3}{16}$ po (5 mm) au-dessus de l'appareil à une profondeur de $17 \frac{3}{4}$ po (450 mm) à l'intérieur du meuble.

1. Évitez de coudez ou de coincez le câble de raccordement ou de l'acheminer sur des bords tranchants.

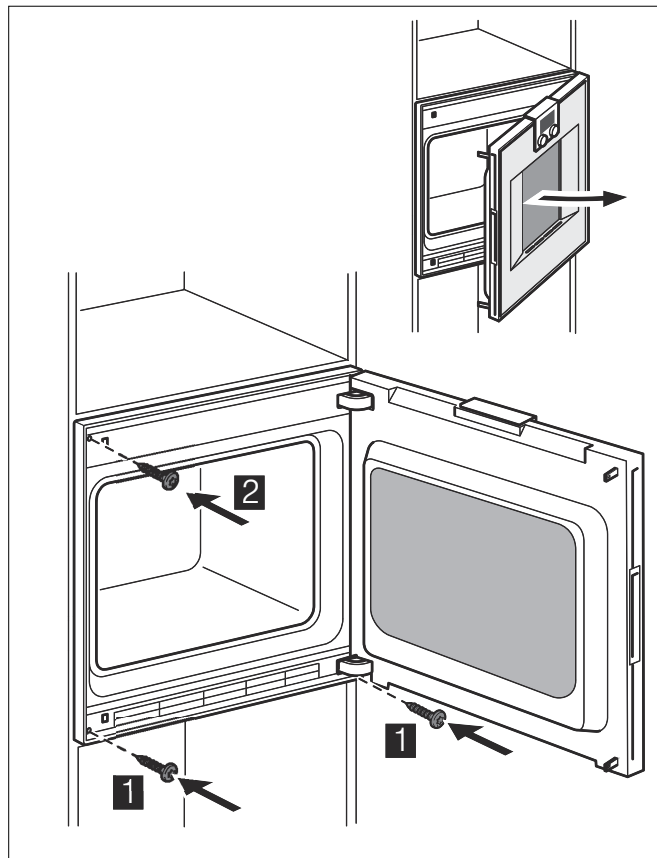
2. Centrez l'appareil.

Il doit y avoir un vide d'air de $\frac{3}{16}$ po (5 mm) entre l'appareil et les meubles adjacents.



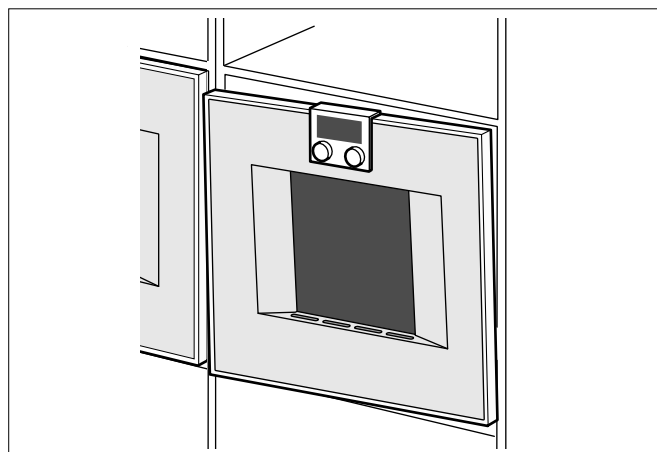
3. Avec un niveau à bulle, ajustez l'appareil de sorte qu'il soit parfaitement de niveau.

4. Visez l'appareil en place. Retirez le verrou de transport de la porte.

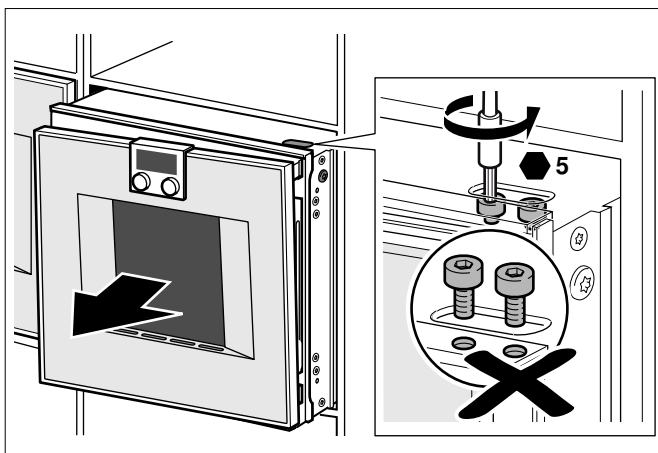


Ajustement de la porte

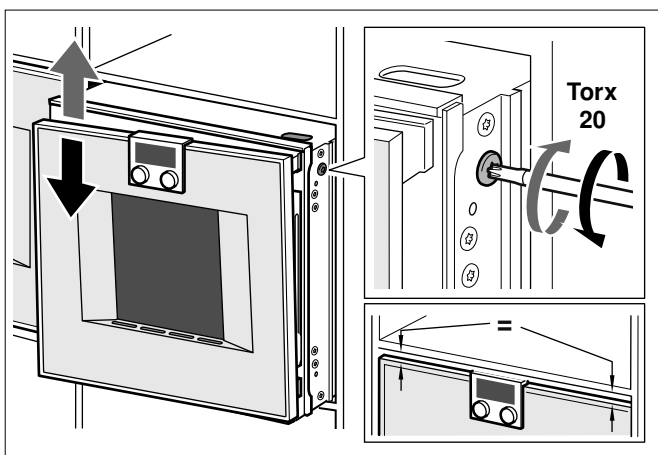
La porte de l'appareil peut être légèrement ajustée pour obtenir un alignement exact.



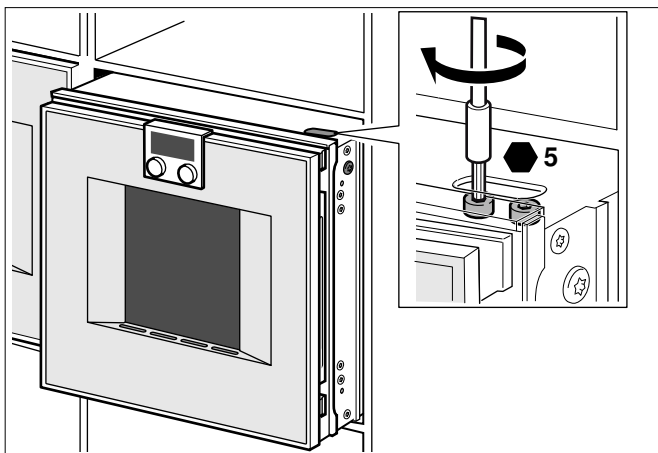
Pour ce faire, extraire légèrement l'appareil de la niche d'encastrement. Une ouverture ovale se trouve sur le côté charnière du dessus de l'appareil. Desserrez légèrement les vis (Inbus 5 mm), mais ne pas les retirer!



Ajustez la porte sur les vis latérales (Torx 20).



Resserrez les deux vis (Inbus 5 mm).



Remarques

- L'orientation de la porte de l'appareil peut être ajustée au niveau de la charnière supérieure, afin d'obtenir la mesure d'intervalle exacte du bord supérieur de la porte au débit d'air supérieur.
- La porte ne peut pas être ajustée en hauteur.
- La porte de l'appareil est ajustée dans son état de livraison. Il n'est normalement pas nécessaire d'ajuster la porte.

Brancher l'alimentation électrique

Connexion à trois fils

BO 450/451-612

1. Branchez le fil rouge du four au fil d'alimentation électrique rouge (fil chaud).
2. Branchez le fil noir du four au fil d'alimentation électrique noir (fil chaud).
3. Branchez le fil de mise à la terre jaune/vert du four au fil de mise à la terre de l'alimentation électrique.

Fixez le câble flexible au boîtier de raccordement.

Pour faciliter l'entretien et la réparation, le conduit flexible ne doit pas être raccourci et doit être acheminé de façon à permettre la dépose temporaire du four.

Connexion à quatre fils

BO 480/481-612

1. Branchez le fil rouge du four au fil d'alimentation électrique rouge (fil chaud).
2. Branchez le fil noir du four au fil d'alimentation électrique noir (fil chaud).
3. Branchez le fil blanc du four au fil d'alimentation électrique blanc (fil neutre).
4. Branchez le fil jaune/vert du four au fil de terre de l'alimentation électrique.

Brancher le conduit souple à la boîte de jonction.

Pour maintenir l'alimentation, le conduit plié ne doit pas être raccourci et devrait être orienté de façon à pouvoir être retiré temporairement du four.

Connexion au réseau domestique (LAN)

Cet appareil peut être mis en réseau et raccordé avec un câble LAN au réseau domestique (câble LAN non fourni). Branchez le câble LAN avant le montage dans la prise située à l'arrière de l'appareil et fixez le câble avec un serre-câble. Reliez le câble LAN à une prise réseau.

Association avec un four à vapeur

Poser d'abord le four à vapeur. Respecter la notice de pose du four à vapeur.

Pour une profondeur d'encastrement de 550 mm, positionner les tuyaux souples d'eau et le cordon d'alimentation électrique dans la zone où le boîtier est évidé.

Combinaison avec un tiroir chauffant de largeur 24 po (60 cm)

Monter d'abord le tiroir chauffant WS. Respecter les instructions de montage du tiroir chauffant.

Introduire le four dans le meuble d'encastrement sur le tiroir chauffant. En l'introduisant, ne pas endommager le bandeau du tiroir chauffant.

Combinaison avec un tiroir chauffant de largeur 30" (76 cm)

Encastrement BO/BS (largeur 76 cm) au-dessus du tiroir chauffant WS uniquement avec un faux-plancher indéformable.

Vérification de l'installation

⚠ AVERTISSEMENT

Avant tout raccordement de cordon électrique ou toute mise sous tension, assurez-vous que toutes les commandes sont en position OFF (d'arrêt).

Mettre le disjoncteur en circuit.

Vérifier que les éléments fonctionnent correctement.

Dépose

1. Mettre l'appareil hors tension.
2. Desserrer les vis de fixation.
3. Soulever légèrement puis tirer entièrement l'appareil.

Service après-vente

Si votre appareil doit être réparé, notre service après-vente est à votre disposition. Nous trouvons toujours une solution adaptée, y compris pour éviter les visites inutiles de techniciens.

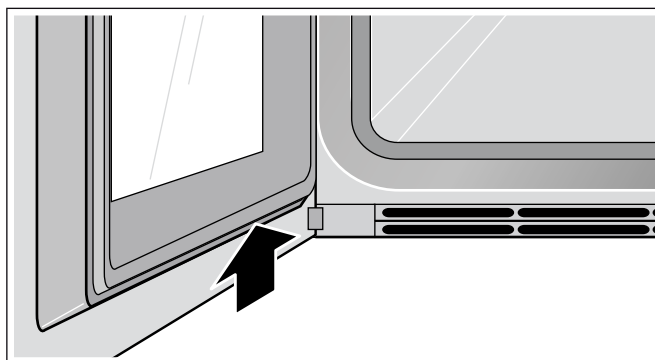
Lors de votre appel, indiquez le numéro du produit (n° E) et le numéro de série (n° FD) afin que nous puissions vous donner une réponse précise. La plaquette d'identification comportant ces numéros se trouve sur le dessous de l'appareil. Pour ne pas avoir à chercher longtemps en cas de besoin, vous pouvez inscrire ici les références de l'appareil et le numéro de téléphone du service après-vente.

N° E

N° FD

Service après-vente ☎

N'oubliez pas qu'en cas de fausse manœuvre, la visite d'un technicien d'après-vente n'est pas gratuite, même pendant la garantie.



Vous trouverez les données de contact pour tous les pays dans l'annuaire ci-joint du service après-vente.

Demande de réparation et conseils en cas de dysfonctionnement

CA 877 442 4436
toll-free

Índice

▲ Definiciones de seguridad	22
INSTRUCCIONES DE SEGURIDAD IMPORTANTES	23
Seguridad de manejo del electrodoméstico	23
Códigos y normas de seguridad	23
Seguridad con la electricidad	23
Seguridad de los equipos relacionados	24
Advertencia en virtud de la Proposición 65	24
Transporte	24
Antes de empezar	25
Herramientas y piezas necesarias	25
Piezas incluidas	25
Requisitos de electricidad	25
Indicaciones para planificación	25
Preparar los muebles empotrables	25
Dimensiones y requisitos del gabinete	26
Requisitos generales del gabinete	26
Dimensiones para unidades montadas a la pared de 24 pulg.	26
Dimensiones para unidades montadas a la pared de 30 pulg.	27
Quitar el embalaje	28
Montaje del electrodoméstico	28
Monte el electrodoméstico en el gabinete	28
Ajustar la puerta	29
Conexión de la alimentación eléctrica	30
Conexión a la red de internet doméstica (LAN)	30
Combinación con horno de vapor	30
Combinación con cajón calentador (anchura 24")	30
Combinación con cajón calentador (anchura 30")	30
Pruebe la instalación	30
Desmontaje	30
Servicio de Atención al Cliente	31

▲ Definiciones de seguridad

▲ ADVERTENCIA

Esto indica que pueden producirse heridas graves o incluso la muerte si no se cumple con esta advertencia.

▲ ATENCION

Esto indica que pueden producirse heridas leves o moderadas si no se cumple con esta advertencia.

AVISO

Esto indica que pueden producirse daños en el aparato o en los bienes si no se cumple con este aviso.

Nota: Esto alerta sobre información o sugerencias importantes.



INSTRUCCIONES DE SEGURIDAD IMPORTANTES

LEA Y CONSERVE ESTAS INSTRUCCIONES



ADVERTENCIA

Si no sigue la información de este manual exactamente, se puede ocasionar un incendio o una descarga eléctrica que puede causar daños materiales o lesiones personales.



ADVERTENCIA

No reparar, sustituir ni quitar ninguna pieza del electrodoméstico a menos que se recomiende de forma específica en los manuales. Una instalación, servicio o mantenimiento inadecuados pueden causar lesiones o daños materiales. Consultar este manual para recibir ayuda. Todos los demás servicios debe realizarlos un agente autorizado.

Seguridad de manejo del electrodoméstico

La unidad es pesada y se requieren al menos dos personas o un equipo adecuado para trasladarla.

No levante el electrodoméstico tomándolo del asa de la puerta.



Las superficies ocultas pueden tener bordes filosos. Proceda con cuidado al intentar tomar el electrodoméstico por la parte trasera o desde abajo.

Códigos y normas de seguridad

Este electrodoméstico cumple con la última versión de una o varias de las siguientes normas:

- CAN/CSA C22.2 No. 61 - Estufas de uso doméstico (Household Cooking Ranges)
- UL 858 - Estufas eléctricas de uso doméstico (Household Electric Ranges)
- CAN/CSA C22.2 N.º 150 - Hornos de microondas (Microwave Ovens)
- UL 923 - Electrodomésticos de cocción por microondas (Microwave Cooking Appliances)
- CSA C22.2 N.º 64 - Electrodomésticos para cocinar y para calentar líquidos de uso doméstico (Household Cooking and Liquid-Heating Appliances)
- UL 1026 - Electrodomésticos para cocinar y para servir alimentos eléctricos de uso doméstico (Electric Household Cooking and Food Serving Appliances)

Es responsabilidad del propietario y del instalador determinar si se aplican otros requisitos o normas en instalaciones específicas.

Seguridad con la electricidad

Antes de enchufar un cable eléctrico, asegúrese de que todos los controles estén en posición OFF (Apagado).

Si el Código Nacional Eléctrico (o el Código Eléctrico Canadiense) así lo requiere, este electrodoméstico debe

INSTRUCCIONES DE SEGURIDAD IMPORTANTES

LEA Y CONSERVE ESTAS INSTRUCCIONES

instalarse en un circuito derivado por separado.

Installador - muestre al propietario la ubicación del disyuntor o el fusible. Márquela para recordarla más fácilmente.

Importante - conserve estas instrucciones para uso del inspector de electricidad local.

Antes de realizar la instalación, apague el suministro eléctrico en el panel de servicio. Trabe el panel de servicio para impedir que se encienda accidentalmente el suministro eléctrico.

Para obtener más información, consulte la placa de datos. Para conocer la ubicación de la placa de datos, consulte la sección "Placa de datos" debajo de "Servicio técnico".

Asegúrese de que el electrodoméstico sea correctamente instalado y conectado a tierra por un técnico calificado. La instalación, las conexiones eléctricas y la conexión a tierra deben cumplir con todos los códigos correspondientes.

Seguridad de los equipos relacionados

Retire toda la cinta y el embalaje antes de usar el electrodoméstico. Destruya el embalaje después de desembalar el electrodoméstico. Nunca deje que los niños jueguen con el material de embalaje.

Nunca modifique ni altere la construcción del electrodoméstico. Por ejemplo, no retire las patas niveladoras, paneles,

cubiertas para cables ni soportes/tornillos antivuelco.

Antes de encender el electrodoméstico, retirar cualquier material de embalaje o lámina adhesiva del compartimento de cocción y de la puerta.

Advertencia en virtud de la Proposición 65:

Este producto puede contener un químico que el Estado de California reconoce como potencialmente cancerígeno o causante de daños reproductivos. Por tanto, su producto debe llevar en su embalaje la siguiente etiqueta de conformidad con la legislación de California:

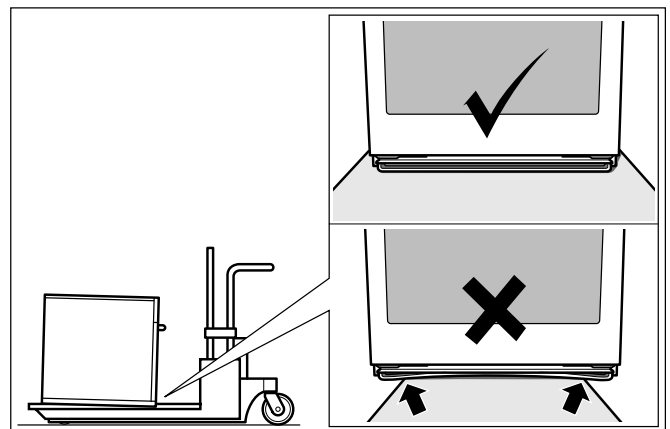
ADVERTENCIA EN VIRTUD DE LA PROPOSICIÓN 65 DEL ESTADO DE CALIFORNIA:

 **ADVERTENCIA**

Cáncer y daño reproductivo - www.P65Warnings.ca.gov

Transporte

Para evitar el daño a la abertura del horno, utiliza el método del transporte mostrado en el dibujo abajo.



Antes de empezar

Herramientas y piezas necesarias

- Destornillador con cabeza Phillips
- Taladro y broca de taladro de 1/8 pulg.
- Cinta métrica

Piezas incluidas

- Horno empotrado
- 3 tornillos Torx

Requisitos de electricidad

La toma de corriente debe tener la conexión a tierra adecuada de conformidad con todos los códigos correspondientes.

Indicaciones para planificación

El tope de la puerta no se puede cambiar de lugar.

Distancia desde el cuerpo del mueble hasta la superficie frontal de la puerta: 1.85" (47 mm).

Distancia desde el cuerpo del mueble hasta el canto exterior de la manija de la puerta: 3.7" (94 mm), con la manija superpuesta (accesorio especial).

Tome en cuenta la saliente frontal, incluyendo eventualmente la manija de la puerta, para la abertura de los cajones laterales.

Al planear una solución de esquina, tome en cuenta el ángulo de abertura de la puerta de al menos 90 °.

Preparar los muebles empotrables

Los muebles para empotrar deben ser resistentes a la temperatura hasta 195° F (90 °C), y los frentes de muebles adyacentes hasta 160° F (70 °C).

Recorte de ventilación en el falso suelo del armario empotrado: mín. 0.8 in to 1.65 ft (20 x 500 mm).

La caja de conexiones debe estar ubicada fuera del nicho del equipo.

Realice los trabajos de recorte en el mueble antes de introducir el equipo. Retire las virutas, la función de los componentes eléctricos pueden verse afectada.

Sujete al muro los muebles que no estén sujetos usando una escuadra usual en el comercio.

Monte la unidad a una altura que permita retirar sin problema los accesorios.

Dimensiones y requisitos del gabinete

Requisitos generales del gabinete

Los requisitos del gabinete varían según el modelo a instalar. Por favor consulte la sección “Dimensión” para los detalles relativos a su modelo en particular.

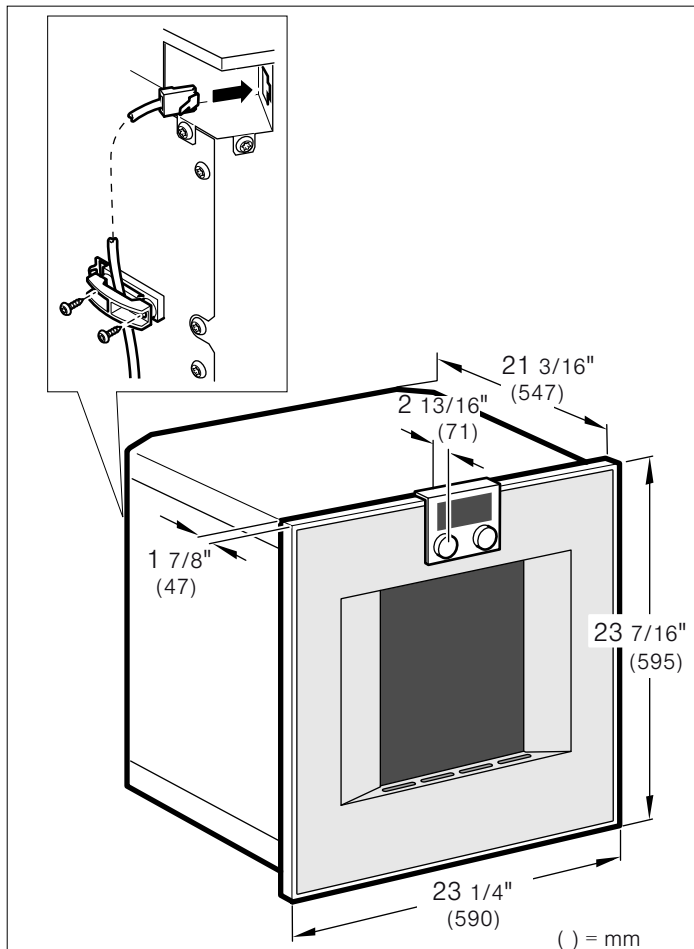
Todos los modelos requieren:

- Un espacio de ¼ pulg. (6.4 mm) entre el costado del horno y una pared adyacente o la puerta del gabinete, cuando está instalado al final de un tramo de gabinetes.
- La base del gabinete debe ser plana y capaz de soportar el peso del aparato cuando esté en uso. Ver el peso adecuado para su modelo en la sección de “Dimensiones” relativas a su modelo en particular.

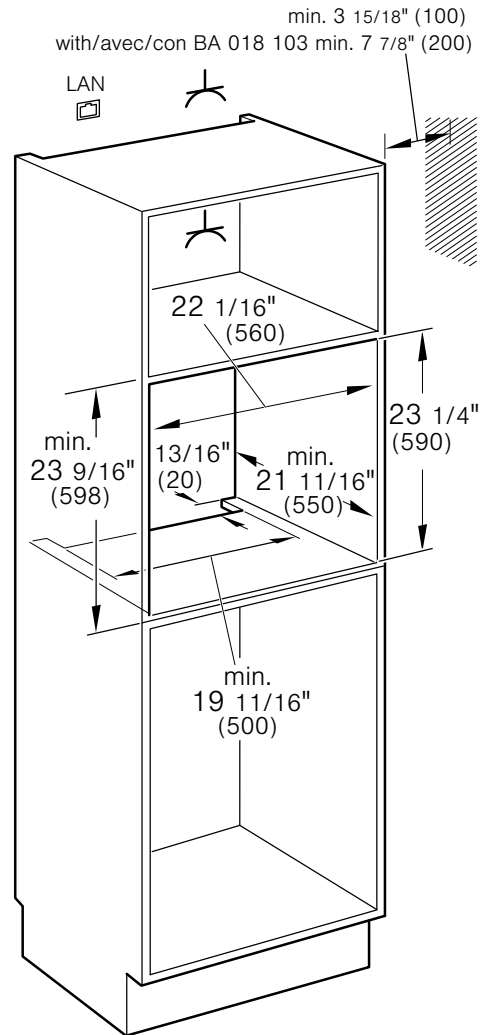
Dimensiones para unidades montadas a la pared de 24 pulg.

BO 450/451-612

Dimensiones del electrodoméstico



Dimensiones del hueco para el gabinete



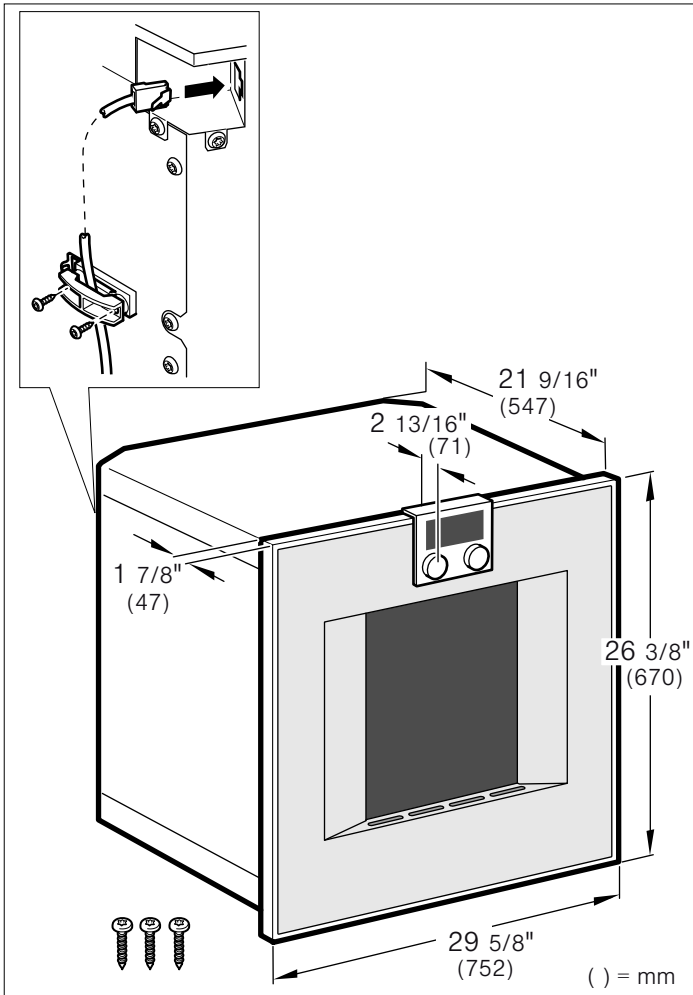
AVISO

La base del gabinete debe ser plana y capaz de sostener un peso de por lo menos 142 lb (64.1 kg).

Dimensiones para unidades montadas a la pared de 30 pulg.

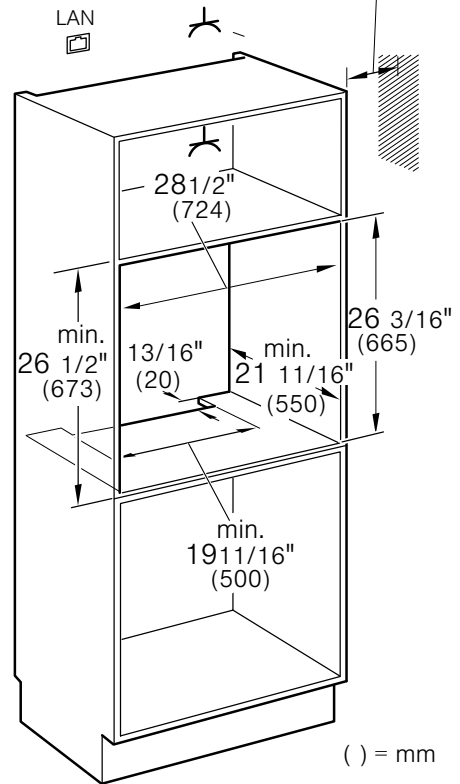
BO 480/481-612

Dimensiones del electrodoméstico



Dimensiones del hueco para el gabinete

min. $3 \frac{15}{16}''$ (100)
 with/avec/con BA 018 103 min. $7 \frac{7}{8}''$ (200)



AVISO

La base del gabinete debe ser plana y capaz de sostener un peso de por lo menos 169.5 lb (76.9 kg).

Quitar el embalaje

AVISO

Para evitar que se dañe su piso, mantenga la unidad en su base de embalaje hasta que esté lista para ser colocada en la abertura del gabinete. No arrastre la unidad por el piso.

Los distintos modelos utilizan distintos materiales de embalaje. Es posible que los soportes reales tengan un aspecto distinto. El soporte permanece en la base de embalaje.

1. Corte las correas que se encuentran fuera de la caja.
2. Retire la caja de cartón.
3. Retire todas las abrazaderas superiores y laterales de cartón y Styrofoam.
4. Coloque el horno delante de los gabinetes, en el lugar donde se instalará.

Montaje del electrodoméstico

Nota: El aparato pesa demasiado. Se aconseja dos personas para insertarlo.

AVISO

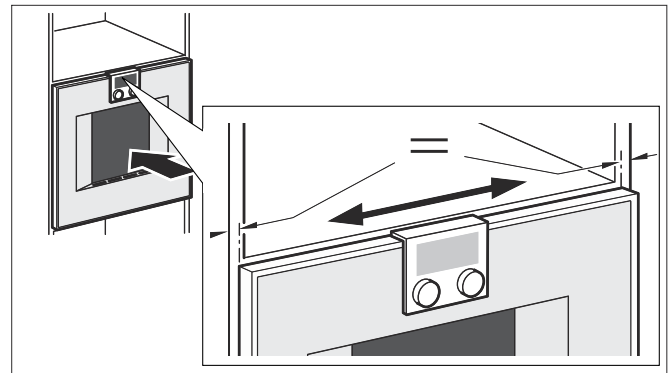
Antes de instalar el aparato, asegúrese de verificar las dimensiones del gabinete y las conexiones eléctricas.

Monte el electrodoméstico en el gabinete

Si no hay un estante colocado sobre el electrodoméstico, sujete el electrodoméstico para impedir que se vuelque al abrir la puerta. Instale dos ángulos estándares $\frac{3}{16}$ in (5 mm) sobre el electrodoméstico, a $17\frac{3}{4}$ in (450 mm) de profundidad, dentro del gabinete.

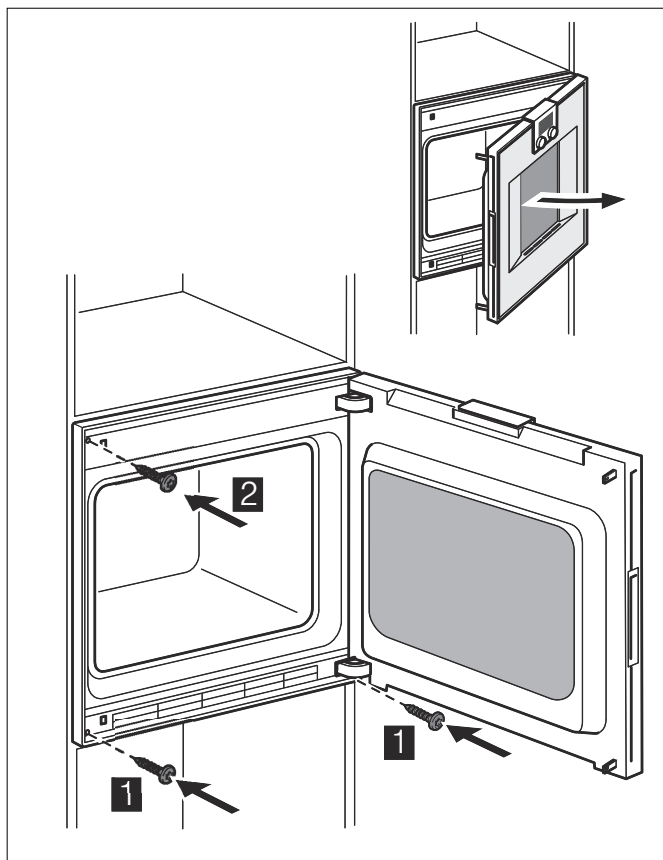
1. No pliegue el cable de conexión ni lo deje atrapado, ni lo pase sobre bordes filosos.
2. Centre el electrodoméstico.

Debe haber un espacio de aire de $\frac{3}{16}$ in (5 mm) entre el electrodoméstico y los gabinetes adyacentes.



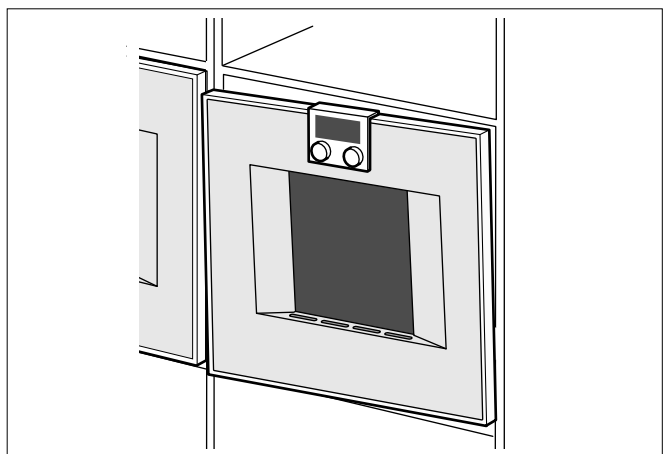
3. Con un nivel, ajuste el electrodoméstico para que esté perfectamente nivelado.

4. Atornille el electrodoméstico en su lugar. Retire la traba de transporte de la puerta.

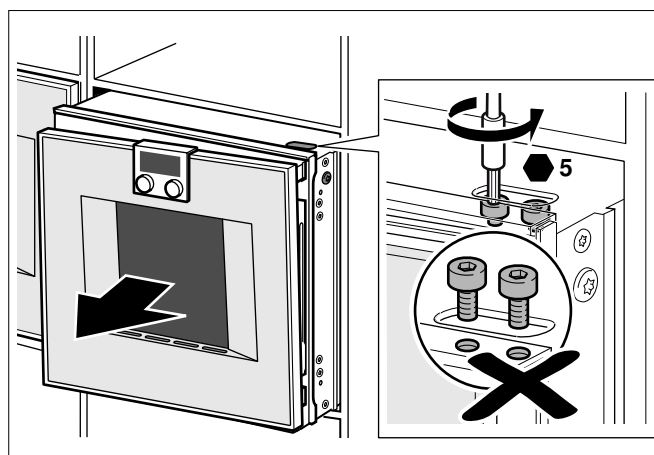


Ajustar la puerta

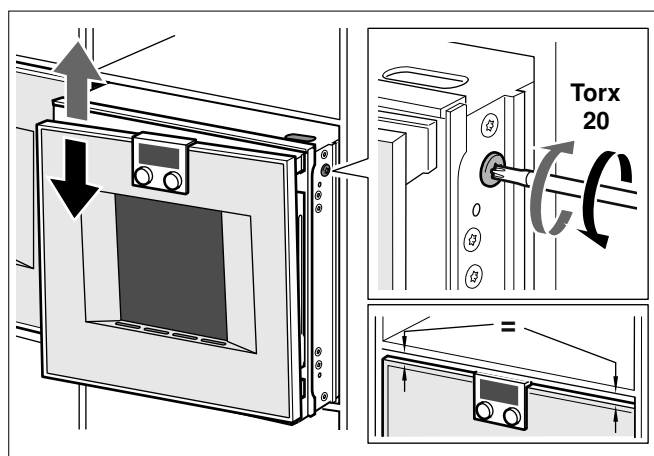
La puerta del electrodoméstico se puede ajustar para alinearla de forma exacta.



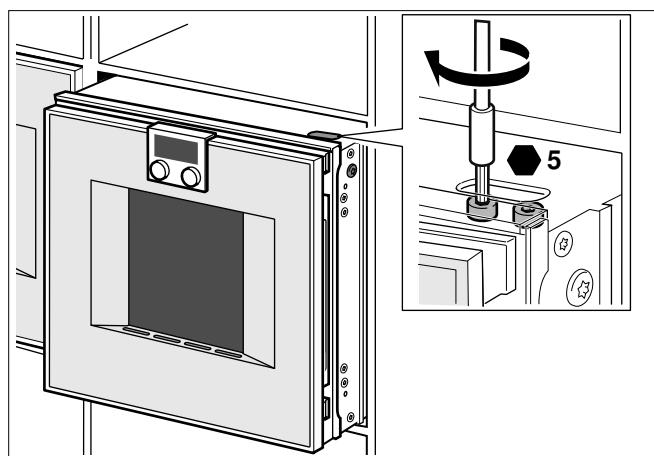
Para ello, extraer el electrodoméstico ligeramente del hueco de encastre. En la parte superior del electrodoméstico, en el lado de las bisagras, se encuentra una abertura ovalada. Aflojar los dos tornillos (Allen 5 mm) sin llegar a desenroscarlos.



Alinear la puerta mediante los tornillos laterales (Torx 20).



Volver a apretar los dos tornillos (Allen 5 mm).



Notas

- La alineación de la puerta del electrodoméstico puede realizarse mediante las bisagras superiores para conseguir un ajuste exacto del canto superior de la puerta al espacio de ventilación superior.
- La altura de la puerta no es ajustable.
- La puerta del electrodoméstico ya viene ajustada de fábrica. Normalmente no es necesario ajustar la puerta.

Conexión de la alimentación eléctrica

Conexión a tres cables

BO 450/451-612

1. Conecte el cable rojo del horno al cable rojo del suministro eléctrico (cable con corriente).
2. Conecte el cable negro del horno al cable negro del suministro eléctrico (cable con corriente).
3. Conecte el cable de conexión a tierra amarillo/verde del horno al cable de conexión a tierra desnudo del suministro eléctrico.

Conecte el conducto flexible a la caja de empalme.

Para facilitar las condiciones que permitan realizar un buen servicio técnico, el conducto flexible no debe acortarse y debe enrutarse de manera que permita retirar temporalmente el horno.

Conexión a cuatro cables

BO 480/481-612

1. Conecte el cable rojo del horno al cable rojo del suministro eléctrico (cable con corriente).
2. Conecte el cable negro del horno al cable negro del suministro eléctrico (cable con corriente).
3. Conecte el cable blanco del horno al cable blanco del suministro eléctrico (cable neutro).
4. Conecte el cable amarillo/verde del horno al cable de conexión a tierra del suministro eléctrico.

Conectar un conducto flexible a la caja de conexión.

Para mantener las condiciones que permitan realizar un buen servicio técnico, el conducto flexible no debe acortarse y debe enrutarse de manera que permita retirar temporalmente el horno.

Conexión a la red de internet doméstica (LAN)

Este aparato tiene capacidad de conexión y se puede conectar a la red de internet doméstica mediante un cable LAN (no incluido). Conectar el cable LAN antes de la instalación en la horquilla de deslizamiento en la parte posterior del aparato y asegurarlo con el sistema antitracción. Enchufar el cable LAN con un conector de red (LAN).

Combinación con horno de vapor

Primero instale el horno de vapor. Tome en cuenta las instrucciones de montaje del horno de vapor.

Coloque las mangueras de agua y el cable de conexión en el área del hueco para el gabinete del equipo, tomando en cuenta una profundidad de empotrado de 550 mm.

Combinación con cajón calentador (anchura 24")

Montar primero el cajón calentador WS. Observar las instrucciones de instalación del cajón calentador.

Introducir el horno en el cajón calentador en el gabinete empotrado. Al introducir el horno, no dañar la placa del cajón calentador.

Combinación con cajón calentador (anchura 30")

Montaje BO/BS (anchura 30" (76 cm)) sobre cajón calentador WS solo con fondo intermedio dimensionalmente estable.

Pruebe la instalación

ADVERTENCIA

Antes de enchufar un cable eléctrico o activar el suministro eléctrico, asegurarse de que todos los controles están en la posición OFF.

Encienda el disyuntor.

Verifique que los elementos funcionen correctamente.

Desmontaje

1. Desconecte la alimentación eléctrica.
2. Afloje los tornillos de fijación.
3. Eleve ligeramente el equipo y tire de él hacia fuera hasta sacarlo por completo.

Servicio de Atención al Cliente

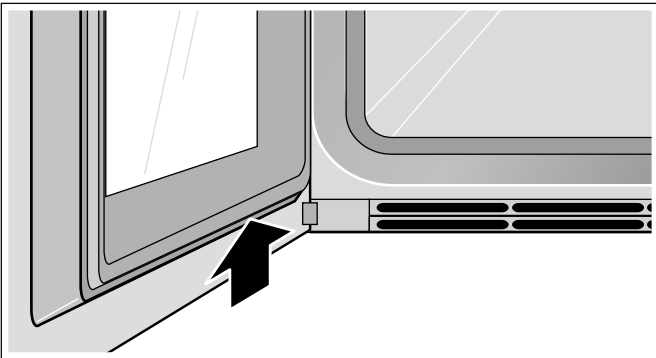
Si su aparato necesita una reparación, nuestro servicio de atención al cliente estará encantado de ayudarle. Siempre encontramos la solución adecuada, incluso para evitar visitas innecesarias de los técnicos.

Cuando llame por teléfono, indique la referencia del producto (Nº E) y el número de fabricación (Nº FD) para que podamos ofrecerle un servicio cualificado. La placa de identificación con los números correspondientes los encontrará en la parte inferior del aparato. Para evitar tener que buscar los datos de su aparato cuando los precise, es aconsejable anotarlos aquí conjuntamente con el número de teléfono del Servicio de atención al cliente.

Nº E.	Nº FD.
-------	--------

Servicio de atención al cliente ☎

Tenga en cuenta que la visita del técnico del servicio de atención al cliente no es gratuito en caso de que el mal funcionamiento sea debido a un manejo incorrecto del aparato.



Las señas de las delegaciones internacionales figuran en la lista adjunta de centros y delegaciones del Servicio de Asistencia Técnica Oficial.

Solicitud de reparación y asesoramiento en caso de averías

US 877 442 4436
toll-free

Gaggenau
BSH Home Appliance Corporation
1901 Main Street, Suite 600
Irvine, CA 92614
1-877-442-4436

www.gaggenau.com/us
© 2019 BSH Home Appliances

Gaggenau Hausgeräte GmbH
Carl-Wery-Straße 34
81739 München
GERMANY



9001453717 (990405)
en-us, es-mx, fr-ca

GAGGENAU