

# **FISHER & PAYKEL**

## **DISHWASHER**

---

DW24U2I and DW24U6I  
models

## **LAVE-VAISSELLE**

---

Modèles DW24U2I et  
DW24U6I

**USER GUIDE**  
**GUIDE D'UTILISATION**

**US CA**

---

**English**

---

**Page 1 - 32**

---

**Français**

---

**Page 35 - 68**

---

---

Introduction	3
Safety and warnings	4
Operating instructions	7
Caring for your dinnerware	15
Loading advice	16
Water hardness and dishwashing	18
Wash programmes and detergent quantities	19
Adding detergent	20
Using rinse aid	21
After the wash	22
Care and cleaning	23
Fault codes	26
Troubleshooting	28
Wash programme data	31
loading the dishwasher	33
Warranty and Service	34
loading the dishwasher	71

---

## **IMPORTANT!**

### **SAVE THESE INSTRUCTIONS**

The models shown in this user guide may not be available in all markets and are subject to change at any time. For current details about model and specification availability in your country, go to our website [fisherpaykel.com](http://fisherpaykel.com) or contact your local Fisher & Paykel dealer.

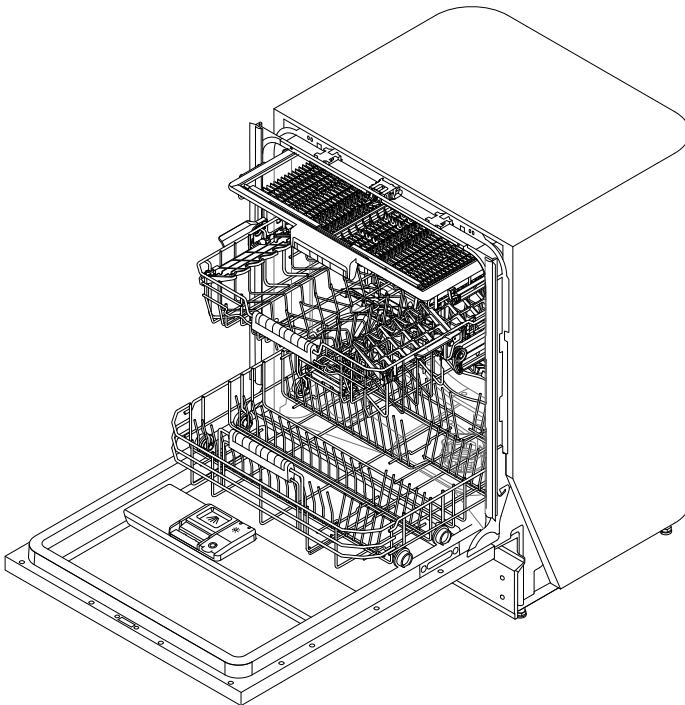


This user guide is an accompaniment to your 'Quick start guide' which is included with your dishwasher.

For operating instructions, see your 'Quick start guide'. If you no longer have your 'Quick start guide', you can download it from our local website, listed on the back cover.

**Refer to your 'Quick start guide' for information on:**

- Starting a wash
- Wash programs and when to use them
- Controls
- Racking features.



### **WARNING!**



#### **Electric Shock Hazard**

Read and follow the safety and warnings outlined in this user guide before operating this appliance.

Failure to do so can result in death, electric shock, fire or injury to persons.

Use this appliance only for the intended purpose as described in the user guide.

## IMPORTANT SAFETY INSTRUCTIONS

### **WARNING!**

When using your dishwasher, follow basic precautions, including the following:

- Read all instructions before using the dishwasher.
- The information in this manual must be followed to minimise the risk of fire or explosion or to prevent property damage, personal injury or loss of life.
- Use the dishwasher only for its intended function as described in this user guide.
- This appliance is intended to be used in household and similar applications such as:
  - staff kitchen areas in shops, offices and other working environments;
  - farm houses;
  - by clients in hotels, motels and other residential type environments;
  - bed and breakfast type environments.
- NSF 184-Certified residential dishwashers are not intended for licensed food establishments.
- Use only detergents or rinse aid recommended for use in a domestic dishwasher and keep them out of reach of children.
- Check that the detergent dispenser is empty after the completion of each wash program.
- When loading items to be washed, locate sharp items so that they are not likely to damage the dishwasher and load sharp knives with the handle up to reduce the risk of cut-type injuries.
- Do not wash plastic items unless they are marked “dishwasher safe” or the equivalent. For plastic items not so marked, check the manufacturer’s recommendations.
- Do not touch the filter plate (the metal disc in the dishwasher base) during or immediately after use, as it may be hot from the heater plate underneath.
- Do not tamper with the controls.
- Do not abuse, sit in, stand on the door or dish rack of the dishwasher.
- Do not lean on the adjustable racks or use them to support your body weight.
- To reduce the risk of injury, do not allow children to play in or on the dishwasher.
- Under certain conditions, hydrogen gas may be produced in a hot water heater system that has not been used for two weeks or more. **HYDROGEN GAS IS EXPLOSIVE.** If the hot water system has not been used for such a period, before using the dishwasher, turn on all hot water taps and let the water flow from each for several minutes. This will release any accumulated hydrogen gas. As the gas is flammable, do not smoke or use an open flame during this time.
- Remove the door to the washing compartment when removing an old dishwasher from service or discarding it.

- Some dishwasher detergents are strongly alkaline. They can be extremely dangerous if swallowed. Avoid contact with the skin and eyes and keep children away from the dishwasher when the door is open. Check that the detergent receptacle is empty after completion of the wash cycle.

### INSTALLATION

- This dishwasher must be installed and located in accordance with the Installation instructions before it is used. If you did not receive Installation instructions with your dishwasher, you can order them by calling your Authorised Repairer or download them from our local Fisher & Paykel website, listed on the back cover.
- Installation and service must be performed by a qualified technician.
- If the power supply cord is damaged, it must be replaced by a dealer or Authorised Repairer or a similar qualified trades person in order to avoid a hazard.
- Ensure the dishwasher is secured to adjacent cabinetry using the brackets provided. Failure to do so may result in an unstable product, which may cause damage or injury.
- Do not operate this appliance if it is damaged, malfunctioning, partially disassembled or has missing or broken parts, including a damaged power supply cord or plug.
- Do not store or use petrol, or other flammable vapours and liquids in the vicinity of the dishwasher.
- Connect to a properly rated, protected and sized power supply circuit to avoid electrical overload.
- Make sure that the power supply cord is located so that it will not be stepped on, tripped over or otherwise subject to damage or stress.
- Do not install or store the dishwasher where it will be exposed to temperatures below freezing or exposed to weather.
- Do not use an extension cord or a portable electrical outlet device (eg multi-socket outlet box) to connect the dishwasher to the power supply.

### WARNING!

- Improper connection of the equipment-grounding conductor can result in a risk of electric shock.
- Check with a qualified electrician or service representative if you are in doubt as to whether the appliance is properly grounded.
- Do not modify the plug provided with the appliance; if it will not fit the outlet, have a proper outlet installed by a qualified technician.

### GROUNDING

- This appliance must be grounded. In the event of a malfunction or breakdown, grounding will reduce the risk of electric shock by providing a path of least resistance for electric current.
- This appliance is equipped with a cord having an equipment-grounding conductor and a grounding plug. The plug must be plugged into an appropriate outlet that is installed and grounded in accordance with all local codes and ordinances.
- If the dishwasher is installed as a permanently connected appliance:

This appliance must be connected to a grounded metal, permanent wiring system, or an equipment-grounding conductor must be run with the circuit conductors and connected to the equipment-grounding terminal or lead on the appliance.

## SAFETY AND WARNINGS

---

### MAINTENANCE

- **Disconnect the appliance from the power supply before any cleaning or maintenance.**
- **When disconnecting the appliance pull the plug rather than the power supply cord or junction of cord to avoid damage.**
- **Do not repair or replace any part of the appliance or attempt any servicing unless specifically recommended in this user guide.**
- **We recommend that you contact Customer Care to arrange service.**  
See your 'Service and warranty' booklet for contact details.
- **Keep the floor around your appliance clean and dry to reduce the possibility of slipping.**
- **Keep the area around/underneath your appliance free from the accumulation of combustible materials, such as lint, paper, rags and chemicals.**

### OPERATION

- **Do not open the dishwasher while it is in operation. There is a risk of being sprayed with hot water. Do not open the door fully until the spray arms have stopped rotating.**
- **The door should not be left in the open position as this could present a tripping hazard.**
- **The water inside the dishwasher is not suitable for drinking.**
- **The dishwasher must be used with the filter plate, drain filter and spray arm(s) in place. To identify what these parts are, see drawings in section 'Care and Cleaning' of this user guide.**
- **Do not operate this dishwasher if it is damaged, malfunctioning, partially disassembled or has missing or broken parts, including a damaged power supply cord or plug.**
- **Household appliances are not intended to be played with by children. Children of less than 8 years old must be kept away from the appliance unless continuously supervised. This appliance can be used by children aged from 8 years and above, and persons with reduced physical, sensory or mental capabilities or lack of experience and knowledge, if they have been given supervision or instruction concerning the use of the appliance in a safe way and they understand the hazards involved.**
- **Cleaning and user maintenance shall not be done by children without supervision.**
- **Do not allow children to play inside, on or with this appliance or any discarded appliance.**
- **If a dishwasher cleaner is used, we would strongly recommend a wash program with detergent should be run immediately afterward, to prevent any damage to the dishwasher.**
- **The dishwasher is designed for washing normal household utensils. Items that are contaminated by petrol, paint, steel or iron debris, corrosive, acidic or alkaline chemicals are not to be washed in the dishwasher.**
- **If the dishwasher is not being used for long periods of time, turn the electricity and water supply to the dishwasher off.**



## Controls and starting a wash

### Start a wash programme

- ① Open the door to turn ON the dishwasher.
  - The display will show the wash programme time.
- ② Select desired wash programme on the dishwasher control panel.
  - The default cycle when you first turn the dishwasher on is Eco.
  - After the first wash the dishwasher will remember the last programme used.
- ③ Select a wash modifier (for DW24U6I models only). The selected wash modifier indicator will be lit. (see 'Selecting wash modifiers').
- ④ Press and close the door to start the wash programme

### Pause and restart a wash programme

- ① Open the door carefully to pause the programme. The time remaining will flash and the pause beep will sound while the dishwasher is paused.

## **IMPORTANT!**

**There is a risk of being sprayed with hot water. Do not fully open the door until the spray arms have stopped rotating.**

- ② Load, remove, or rearrange any dishes if needed.
- ③ Touch ► button and close the door in 4 seconds to restart the programme.  
If the dishwasher is not restarted within 7 minutes, it will then beep until the cycle is restarted.

### Cancel or change a wash programme

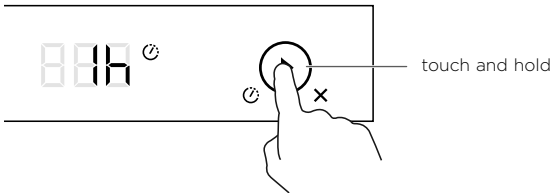
- ① Open the door carefully to pause the programme.
- ② Touch and hold ► to cancel the programme.
- ③ Touch any button to turn the dishwasher back on, and follow the steps above 'To start a wash programme'.

# OPERATING INSTRUCTIONS

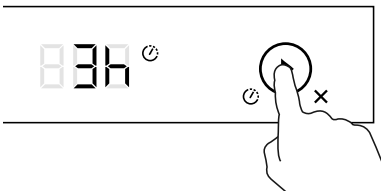
## Setting delay start

This feature can delay the start of a wash programme by 1 to 12 hours.

- ① Load the dishes, add detergent and close the door.
- ② Open the door to turn the dishwasher on.
- ③ Check that the display shows the wash programme you require.  
If not, see instructions for 'Changing the wash programme'.

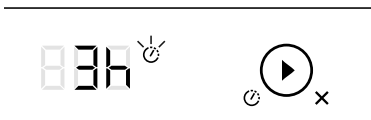


- ④ Touch and hold ►
  - The 'Delay start' indicator ⌚ will light up and the display will show the delay time (hours).



- ⑤ Touch ► again to increase the number of hours you wish to delay the wash by (1hr - 12hr in hour steps).  
Note: Scrolling past 12 hours will exit 'Delay start'.

- ⑥ Press and hold ► to start delay. The display will countdown in hours. The wash programme will automatically start when the delay time is over.



- The 'Delay start' indicator will be on when 'Delay start' begins its countdown.
- If the door is open when the countdown is finished, the dishwasher will beep and the display will flash. After 7 seconds the dishwasher will turn off.

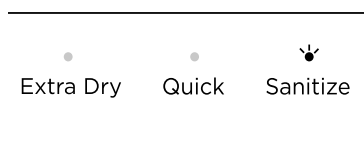
## Cancel Delay start

Touch ► until the delay hour is 12h, then press start button again to cancel delay.

## Setting wash modifiers (DW24U6I models only)

Along with setting the wash programme, you may select one of the following the additional options:

- **Extra dry:** Increases the wash temperature and the length of the drying phase for improved drying performance. This is especially useful for plastic items.
- **Quick:** Uses additional water and energy for a faster wash time, while maintaining wash performance.
- **Sanitize:** Raises the water temperature during the rinse phase to sanitize dishes. Ideal for washing items such as baby bottles and preserving jars.



### Set a wash modifier

- ① After selecting your wash programme, touch to select desired wash modifier. The wash modifier indicator will light up.
- ② Touch ► once to start the wash.
- ③ Close the door.

Note: multiple modifiers can be selected depending on the cycle selected.

WASH PROGRAMME	MODIFIER AVAILABLE		
Auto	-	-	-
Medium	Extra Dry	Quick	Sanitize
Eco	-	-	-
Fast	Extra Dry	-	Sanitize
Heavy	Extra Dry	Quick	Sanitize
Delicate	Extra Dry	Quick	-
Rinse	-	-	-

### Cancel Wash modifier

Touch modifier again. The wash modifier indicator will go out.

# OPERATING INSTRUCTIONS

---

## Setting wash modifiers (DW24U6I models only)

### Using sanitize

The sanitize wash modifier adjusts the wash programme to meet the conditions required by Section 6, NSF 184 for sanitization to occur. While sanitize is running, the wash programme is monitored to ensure that these conditions are met.

### IMPORTANT!

- **For sanitization to occur, the temperature of the water needs to reach 70°C/158°F. Check that all items in the dishwasher are dishwasher safe before running the sanitize modifier.**
- **If the wash is interrupted or the water supply is turned off during the cycle, then the heating conditions for sanitization may not be met. You may need to run the cycle again to ensure sanitization of your dishes.**
- **Only cycles utilising the sanitize wash modifier are designed to meet the conditions required by Section 6, NSF 184. Other wash programs may not reach the temperatures required for sanitization to occur. See table on previous page for wash programs that have sanitize available**

At the end of a wash programme with sanitize, always check the display to make sure that sanitization has been successful.



### If sanitization has been successful:

- The dishwasher will beep  
000 will show in the display  
After 30 seconds the display will turn off.



### If sanitization has not been successful:

- An alert will sound
- An alert code will show in the display
- The sanitize indicator will not be lit.

**Setting a 1/2 load (DW24U6I models only)**

**Half load option**

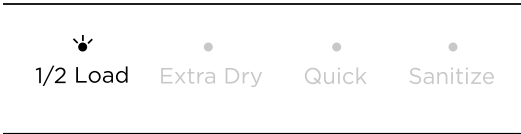
- If you don't have a full load of dishes to wash, you can choose to use the 1/2 load option. This may be useful if, eg you only wish to wash the breakfast dishes. The dishes should fill only half the dishwasher, but may be placed in both upper and lower baskets.
- This option is available with the following wash programmes and modifiers:

WASH PROGRAMME AVAILABLE WITH 1/2 LOAD	MODIFIER AVAILABLE WITH 1/2 LOAD	
Medium	Extra Dry	Sanitize
Eco	-	-
Heavy	Extra Dry	Sanitize
Delicate	Extra Dry	-

**Select 1/2 load**

**Open the door to turn the dishwasher on.**

- ① Select a wash programme, and select a wash modifier (if required).
- ② Touch half load. The half load indicator will light up.



**Cancel 1/2 load**

- ① Touch half load
  - The half load indicator will go out.

Note: 1/2 load cannot be cancelled while a wash programme is running.

# OPERATING INSTRUCTIONS

## User preference settings

These allow you to:

- Change the rinse aid setting or turn rinse aid on or off.
- Turn the beeps on or off.
- Turn the cavity light on or off (DW24U6I models only)
- Turn the floor light on or off (DW24U6I models only)

### Change the rinse aid setting

- ① Open the door to turn the dishwasher on.
- ② Touch and hold **▶** and Rinse until a beep sounds to enter the user preference menu. The display will show the current Rinse Aid setting.
  - Rinse flashes when in preference option mode.



- ③ Touch **▶** to scroll between **rA1** (minimum dispense) to **rA6** (maximum dispense) or **rA-** (rinse aid off).

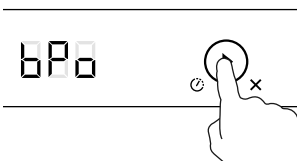


- ④ Touch Rinse to move on to the next setting or touch and hold **▶** until a beep sounds to exit the user preference menu.

### Turn the Beeps on or off

This turns off all sounds on the dishwasher (except for fault alerts).

- ① Make sure the dishwasher is on.
- ② Touch and hold **▶** and Rinse together until a beep sounds to enter the user preference menu. The display will show the current Rinse Aid setting.
- ③ Touch Rinse to scroll to the Beeps menu.



- ④ Touch **▶** to toggle between **bP0** (Beeps On) and **bP-** (Beeps Off)
- ⑤ Touch and hold **▶** until a beep sounds to exit the user preference menu.

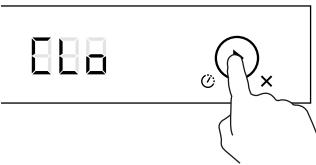
## User preference settings (DW24U6I models only)

### Turn the Cavity Light on or off

- ① Make sure dishwasher is on.
- ② Touch and hold ▶ and Rinse until a beep sounds to enter the user preference menu. The display will show the current Rinse Aid setting.
  - Rinse flashes when in preference option mode.



- ③ Touch Rinse to scroll to the Cavity Light menu.



- ④ Touch ▶ to toggle between **000** (Cavity Light On) and **00-** (Cavity Light Off).
- ⑤ Touch and hold ▶ until a beep sounds to exit the user preference menu.

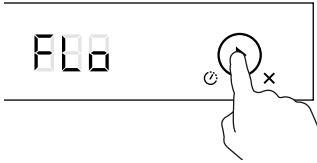
# OPERATING INSTRUCTIONS

---

## User preference settings (DW24U6I models only)

### Turn the Floor Light on or off

- ① Make sure the dishwasher is on.
- ② Touch and hold ▶ and Rinse together until a beep sounds to enter the user preference menu. The display will show the current Rinse Aid setting.
- ③ Touch Rinse to scroll to the Floor Light menu.



- ④ Touch ▶ to toggle between **FL0** (Floor light On) and **FL-** (Floor light Off)
- ⑤ Touch and hold ▶ until a beep sounds to exit the user preference menu.

---

### FLOOR LIGHT LOGIC

---

<b>No light</b>	No wash cycle running
<b>Solid light</b>	Wash cycle is running
<b>Slow flashing</b>	Wash cycle is paused
<b>Fast flashing</b>	Washer has a fault

---



The combination of high temperatures and dishwasher detergent may cause damage to some items if they are washed in the dishwasher. Remember, if in any doubt about any aspect concerning items washed in the dishwasher, follow the instructions from the manufacturer of the items, or wash the item by hand.

### **IMPORTANT!**

**Never put highly absorbent materials, such as sponges and towels in your dishwasher. Do not put dishes or cutlery that have been soiled by tobacco ash, wax, lubricating grease or paint in your dishwasher.**

#### **Cutlery and silverware**

All cutlery and silverware should be rinsed immediately after use to prevent tarnishing caused by some foods. Silver items should not come into contact with stainless steel, eg other cutlery. Mixing these items can cause staining. Remove silver cutlery from the dishwasher and hand dry immediately after the programme has finished.

#### **Aluminium**

Aluminium can be dulled by dishwasher detergent. The degree of change depends on the quality of the item.

#### **Other metals**

Iron and cast iron objects can rust and stain other items. Copper, pewter and brass tend to stain. Wash these items by hand.

#### **Woodware**

Wooden items are generally sensitive to heat and water. Regular use in the dishwasher may cause deterioration over time. If in doubt, wash by hand.

#### **Glassware**

Most everyday glassware is dishwasher safe. Crystal, very fine and antique glassware may etch that is, become opaque. You may prefer to wash these items by hand.

#### **Plastic**

Some plastic may change shape or colour with hot water. Check the manufacturer's instructions about washing plastic items. Washable plastic items should be weighted down so they do not flip over and fill with water or fall through the basket during the wash.

#### **Decorated items**

Most modern china patterns are dishwasher safe. Antique items, those with a pattern painted over the glaze, gold rims or hand-painted china may be more sensitive to machine washing. If in doubt, wash by hand.

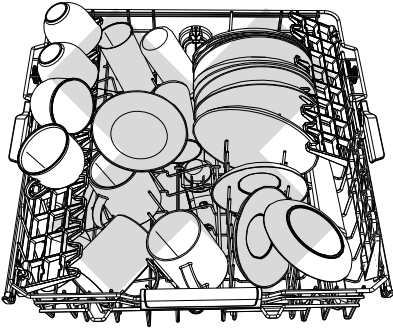
#### **Glued items**

Certain adhesives are softened or dissolved in machine washing. If in doubt, wash by hand.

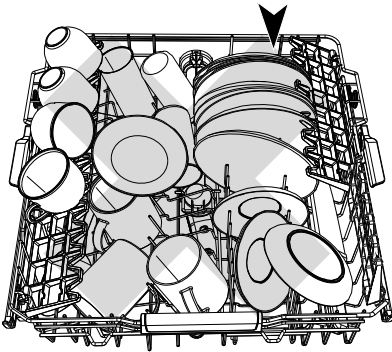
# LOADING ADVICE

## Loading your dishwasher

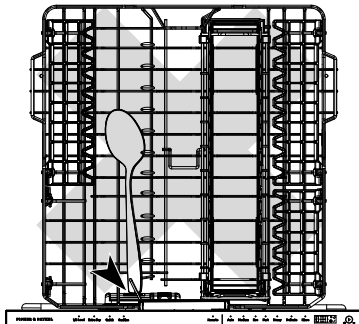
- Place items so that water coming from the rotating spray arms below can reach all areas. Especially items on the foldaway cup racks. Wash performance will be reduced if it can't.
- Ensure glass and other fragile items are stable, so that they do not accidentally topple and break during the wash.
- Any flimsy or light plastic items should be either weighted down or placed on the cup racks or in the cutlery tray.
- Ensure there are no dishware items that will stop the spray arms from rotating.



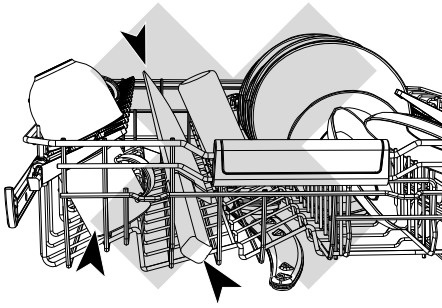
- Overcrowded loading which can result to wash water not reaching some of the dinnerware.
- Cups, glasses and bowls must have their openings facing down.



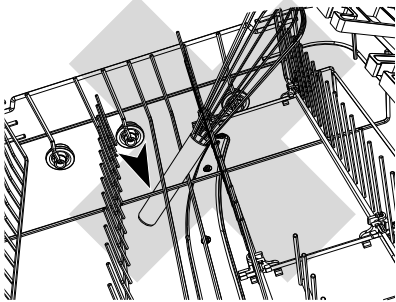
- The plates are nesting together and wash water may not get through.
- Ensure cutlery and utensils are not nesting or stuck together. They need to be evenly spread out.



- Ensure large utensils are not jammed against the door as this may stop the detergent dispenser from opening.



- The large mug below is blocking wash water reaching the mug on the cup rack.
- Handle of knife is blocking the dispenser door from opening.
- Locate sharp items so that they are not likely to injure the user or damage the door seal.
- Sharp or pointed items must be placed horizontally or with sharp edges/points facing down to avoid risk of injury.
- Maximum plate height is 260mm.



- Ensure cutlery has not fallen through the base rack and stopped the spray arms from rotating.
- Large utensils should be placed on the foldaway cup racks so they do not become dislodged and stop the spray arms from rotating.
- Check the bottom of the cutlery basket to ensure sharp or pointed items have not come through as they may stop spray arm rotation.

# WATER HARDNESS AND DISHWASHING

---

## What is water hardness?

Hard water is water with a high concentration of minerals such as calcium and magnesium. In soft water, this concentration is low. Water hardness varies by geographical location.

## How does water hardness affect dishwashing?

- Hard water can be detrimental to the performance of your dishwasher. Over time, glassware washed in hard water will become opaque and dishes will become spotted or covered in a white film. Using very hard water can cause dishwasher parts to fail over time.
- Naturally soft or softened water has no detrimental effects if used with the correct amount of detergent. However, excess detergent combined with hot, soft water may cause irreversible etching on glassware. Etching first appears as a rainbow-coloured film and—if allowed to continue—can make glassware permanently opaque.

## What can I do to minimise any detrimental effects?

Contact your local water company to find out about water hardness in your area.

### If your home has hard water ...

- Increase the amount of detergent used.
- Use a detergent with high phosphate content. Phosphate softens the water and this improves wash results. You could also try using multi-purpose tablets.
- Use rinse aid. We recommend you turn the rinse aid **on** and to at least setting **5** to help improve wash performance.
- Use a dishwasher cleaner/descaler regularly, or whenever you notice a build-up of limescale deposits in your dishwasher.

## **IMPORTANT!**

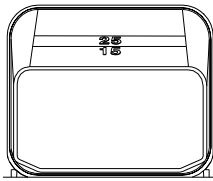
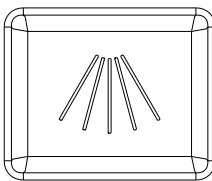
**We recommend fitting a water softener to the household water supply.**

**If the water hardness in your home is above 250 ppm/14.6 gpg, a water softener has to be fitted to maintain the performance of your dishwasher.**

### If your home has naturally soft water or a water softener fitted

- Avoid using too much detergent. Follow the quantity recommendations on the following page.
- Ensure the dishwasher is not overloaded and water can reach all the dishes.

- The quantities in the table below are for powdered detergent and typical levels of soiling. If your home has softer or harder water, or to suit the particular load, you may need to adjust these quantities.
- If you are using tablets, follow the tablet manufacturer's recommendations.
- The indicator light will show which option has been selected.
- For pre-wash place detergent in recess on top of the closed dispenser.

PROGRAMME	RECOMMENDED LOAD	QUANTITY OF POWDERED DETERGENT FOR EACH COMPARTMENT (GRAMS)	
		Main Wash	Pre-Wash
			
<b>Auto</b>	The dishwasher automatically selects the optimum wash programme	20 – 35 g depending on soils	none
<b>Heavy</b>	Heavily soiled pots, pans, baking dishes	35 g	5 g
<b>Medium</b>	Dishes that are quite heavily soiled or food soils that have been left to dry overnight	35 g	5 g
<b>Eco</b>	Normally soiled dishes for optimum energy and water usage Note: Eco was used to rate energy efficiency of this dishwasher.	25 – 30 g	5 g
<b>Fast</b>	Very lightly soiled mixed dishes	20 g	none
<b>Delicate</b>	Lightly soiled delicate (eg heat-sensitive) items	20 g	none
<b>Rinse</b>	Prevents odours and soils drying on dishes before they are washed	none	none

## ADDING DETERGENT

### IMPORTANT!

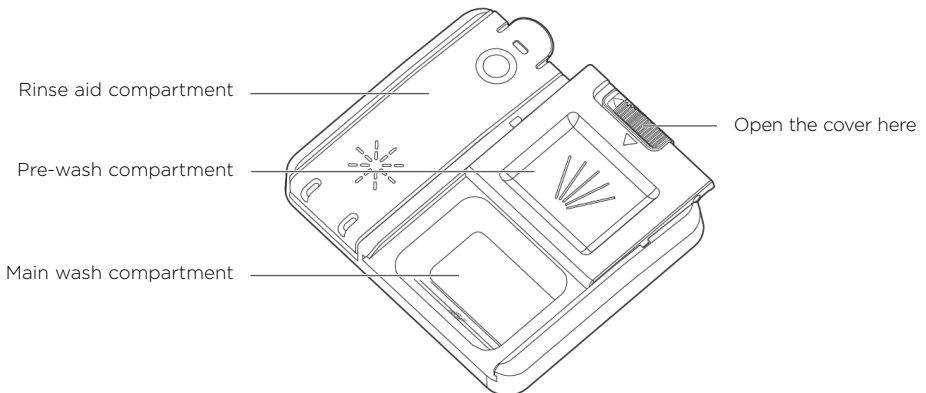
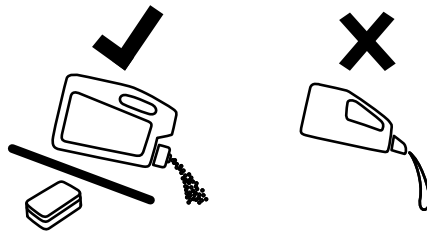
- Only use detergents recommended for automatic dishwashers.
- Dishwasher detergents are strongly alkaline. They can be extremely dangerous if swallowed. Avoid contact with the skin and eyes and keep children and infirm persons away from the dishwasher when it is open. Check that the detergent dispenser is empty after completion of each wash programme.
- Never sprinkle or pour detergent directly onto any item in the dishwasher. Detergent and dishwasher tablets should not be in direct contact with dishes or cutlery.
- Do not use hand washing liquids, soap, laundry detergents or disinfectants, as these will damage the dishwasher.

### Filling the detergent dispenser

- ① Add detergent or tablet into the detergent dispenser. If you are using powdered detergent, see the recommended quantities on the previous page. The '15' and '25' markings in the main wash compartment correspond to grams of powdered detergent.
- ② Remove any excess detergent from the edges of the dispenser.
- ③ Slide the cover to shut. It will click into place. The detergent will automatically be released into the dishwasher during the wash programme.

### IMPORTANT!

Take care when opening the dispenser to prevent the cover snapping open on your fingers.



We highly recommend using liquid rinse aid regularly to get the best drying results. Rinse aid gives a streak-free, sparkling clean look to glass and chinaware. In addition, it prevents metal from tarnishing.

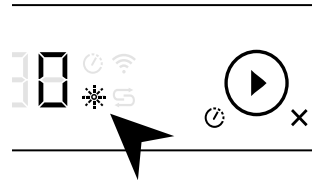
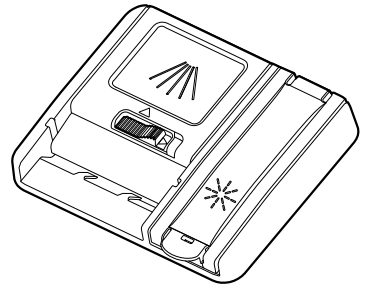
### When to refill the rinse aid dispenser

When rinse aid level becomes low, the rinse aid indicator on the control panel will light up to remind you to refill the dispenser.

### Adjusting the rinse aid dosage

The normal, factory-set dosage level is 5, but you may need to adjust this to suit your water conditions.

- If there is excessive foaming at the end of the wash, reduce the dosage.
- If you live in a hard water area or if dishes are wet or streaky after drying, increase the dosage.
- To adjust the rinse aid setting: see 'User preference settings' for how to do this.
- If you are using tablets with built-in rinse aid, we recommend setting the rinse aid dosage level to off (R-).



Rinse aid indicator  
(on control panel)

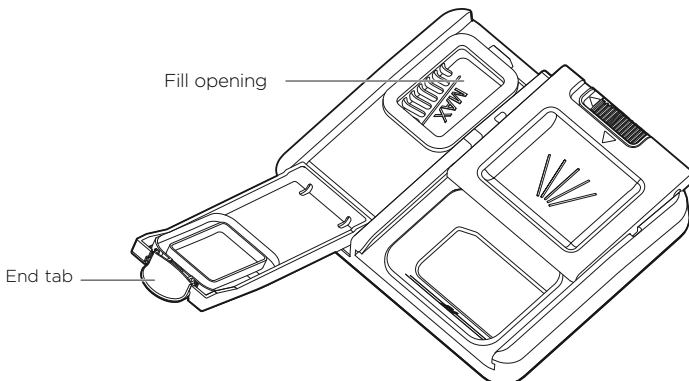
### How to refill the rinse aid dispenser

- 1 Pull the rinse aid dispenser cover open using the end tab.
- 2 Pour rinse aid into the rectangular opening, making sure not to fill beyond the MAX marking.

### IMPORTANT!

**Take care not to spill rinse aid into the dishwasher. Any spills must be wiped up to prevent excess foaming. Failure to do so may result in a service call, which will not be covered by warranty.**

- 3 Close the cover, making sure it clicks shut.



## AFTER THE WASH

---

When the wash programme is over, the dishwasher will beep six times, then automatically turn off in a few seconds.

- ① Open the door slightly and leave it ajar (about 100mm) to help the drying process.
- ② Once the dishes are cool to touch, they can be removed.

### **IMPORTANT!**

**Never leave the dishwasher door in the fully open position, as this could present a tripping hazard.**

- ③ Check that the detergent dispenser is completely empty. If it isn't, wipe out with a damp cloth.
- ④ Inspect your dishwasher regularly to see if it needs any cleaning or maintenance:
  - Check that no grease or limescale deposits have accumulated on the inside.
  - If there are food particles in the filters, these need to be cleaned as well.
  - See section 'Care and cleaning' for cleaning and maintenance instructions.

### **Holiday time**

If the dishwasher is not going to be used for some time:

- Ensure the baskets are empty.
- Leave the inside of the dishwasher clean.
- Leave the dishwasher door ajar to allow air to circulate.
- Turn off both the power and water supply to the dishwasher.

### **Winterizing (cold climates only)**

- ① Disconnect the dishwasher from the power supply,
- ② Turn off the water supply and disconnect the water inlet pipe from the water valve.
- ③ Drain water from the inlet pipe and water valve, using a bucket or pan to collect the water.
- ④ Reconnect the water inlet pipe to the water valve.
- ⑤ Remove the drain filter and the filter plate from the bottom of the dishwasher and use a sponge to remove any remaining water in the drain.
- ⑥ Replace the drain filter and the filter plate, and completely dry all water from inside the dishwasher.
- ⑦ Disconnect the drain hose from the sink drain pipe and completely drain all remaining water from the hose. Reconnect the drain hose to the sink drain pipe.



Over time, food residue or limescale deposits may accumulate inside your dishwasher. These may reduce efficiency, and food residue may produce a bad odour. Inspect and clean your dishwasher regularly.

### **IMPORTANT!**

- **Before any cleaning or maintenance, always disconnect the dishwasher from the power supply, turn off the water supply, and wait until all parts of the dishwasher have cooled.**
- **Do not use the following cleaning aids, as they may damage the surfaces:**
  - plastic or stainless steel scouring pads
  - abrasive, solvent, household cleaners
  - acid or alkaline cleaners
  - laundry detergents or disinfectants
  - stainless steel cleaners or polishes
  - hand-washing liquids or soap
- **Where there is broken crockery or glass in the dishwasher, it must be carefully removed to prevent personal injury or damage to the appliance.**
- **After cleaning, always check that the spray arms and filters are all correctly in place.**

# CARE AND CLEANING

---

## Cleaning the dishwasher exterior

- To clean exterior surfaces of the dishwasher, wipe with a clean, soft damp cloth and dry with a clean, lint-free cloth.
- For non-flush surfaces wipe along or around the surface, eg to wipe down the exterior control buttons, use a circular wiping motion around the button.
- Take care not to cause excessive wetting of the control panel area.  
Note: before cleaning the control panel, it is useful to disable the buttons by activating Keylock.

## Cleaning the door seal and dishwasher interior

Clean thoroughly with warm water on a soft, lint-free cloth. If the interior is heavily soiled, use a dishwasher cleaner/descaler following the manufacturer's instructions.

## Cleaning the filters

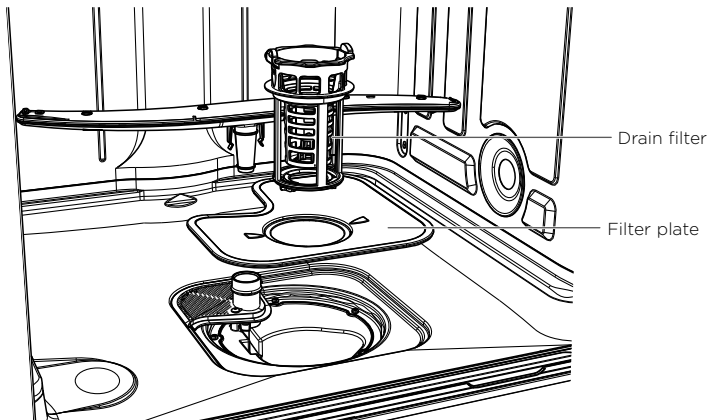
The filters prevent larger food particles in the wash water from reaching the pump. These particles may occasionally block the filters. We recommend cleaning the filters whenever there is evidence of food particles.

- To remove the drain filter, turn the filter anti-clockwise to release, then lift out.
- Once the drain filter has been removed you can lift the filter plate out.
- Rinse them thoroughly under running water and then replace.

## **IMPORTANT!**

**When cleaning the underside of the filter plate, take care handling its sharp outer edge.**

- Replace the filters correctly after cleaning, making sure the filter plate is flush with the dishwasher base.



### Cleaning the spray arms

Limescale and food particles in the wash water can block the holes in the spray arms and the arm mountings. Clean these parts about once a month, or more often should the need arise.

#### Cleaning the upper spray arm/head

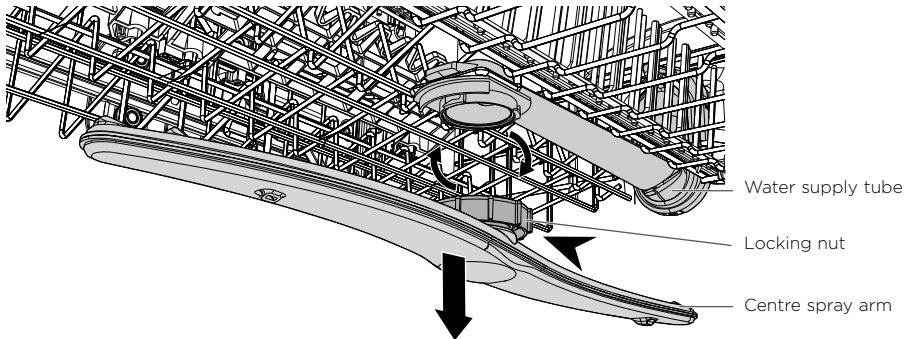
Do not remove the upper spray arm for cleaning. Clean with a small plastic-bristled brush, or if heavily soiled or blocked use a dishwasher cleaner/descaler following the manufacturer's instructions.

#### Cleaning the centre spray arm

- To remove the centre spray arm, carefully unscrew its locking nut.
- Rinse the spray arm thoroughly under running water, then refit.

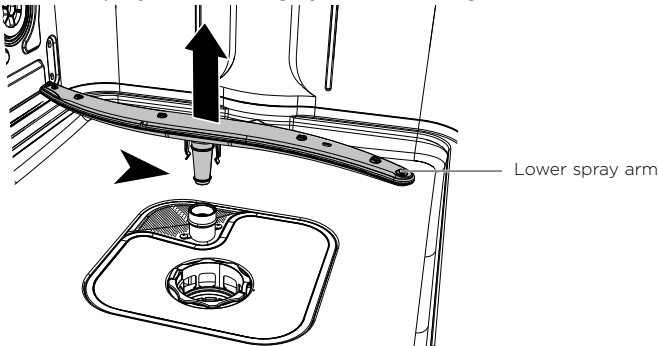
### IMPORTANT!

- **Make sure you twist the locking nut on the centre spray arm firmly back on the water supply tube.**
- **Check that the centre spray arm is firmly locked in place and rotates freely.**



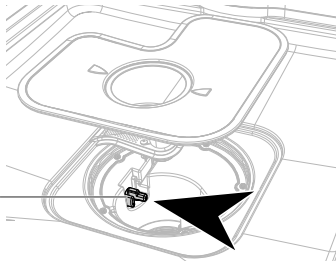
#### Cleaning the lower spray arm

- To remove the lower spray arm, simply lift the spray arm off its mounting.
- Rinse the spray arm thoroughly under running water, then refit it on its mounting.



## FAULT CODES

If the dishwasher malfunctions, it will display a fault code and beep.  
Check the following table below to see if you can correct the fault yourself.

FAULT CODES AND DESCRIPTIONS	POSSIBLE CAUSES	WHAT TO DO
<b>A20</b> Drain fault	Drain hose is crimped or bent.	Check the drain hose and straighten if needed.
	The waste water is not draining out.	Ensure that the drain hose is connected in accordance with the installation instructions.
	The turbidity sensor is dirty and requires cleaning.	Gently clean the turbidity sensor with a soft brush (ie toothbrush) to remove any buildup.
		
<b>A10</b> No water	Water tap not turned on.	Ensure the water is connected and turned on. Touch ► to restart the dishwasher.
	Insufficient water supply pressure.	Check household water pressure.
	Water inlet hose is crimped or bent, so no or not enough water gets to the dishwasher.	Check the water inlet hose and straighten if needed. Touch ► to restart the dishwasher.
	Drain hose is not connected correctly.	Ensure that the drain hose is connected in accordance with the installation instructions.

FAULT CODES AND DESCRIPTIONS	POSSIBLE CAUSES	WHAT TO DO
<b>F30</b> Flooding	Flood switch activated	Turn the dishwasher OFF and ON again. If fault persists, turn water off and disconnect the dishwasher from the power supply. Call Customer Care.
<b>F40</b>	Water flow error	Switch dishwasher OFF and ON again. If fault persists call Customer Care.
<b>F50</b>	Electronics error	Switch dishwasher OFF and ON again. If fault persists call Customer Care.
<b>A60</b>	Water temperature error	Switch dishwasher OFF and ON again. If fault persists call Customer Care.
<b>A70</b> Temperature sensing	Alarm error	Switch OFF and ON again. If fault persists call Customer Care.
<b>A80</b> Turbidity sensing	Alarm error	Switch OFF and ON again. If fault persists call Customer Care.
<b>F90</b> (DW24U6I only)	Data/electronics error	Switch dishwasher OFF and ON again. If fault persists call Customer Care.
<b>FA0</b>	Electronics/power supply error	Switch dishwasher OFF and ON again. If fault persists call Customer Care.
<b>FC0</b> (DW24U6I only)	Motor fault	Switch dishwasher OFF at the power supply. Wait a few moments and switch ON again. If fault persists, turn water off and disconnect from the power supply. Call Customer Care.

### If the dishwasher still will not work, or if it displays a fault code not listed here

- ① Touch ► twice to clear the fault.
- ② Touch and hold ► again to turn the dishwasher off and wait a few minutes.
- ③ Open door to turn the dishwasher back on.

If the dishwasher still does not function and/or the problem persists, disconnect the dishwasher from the power supply, turn the water supply off, then contact Fisher & Paykel Customer Care with the fault code information.

## TROUBLESHOOTING

<b>PROBLEM</b>	<b>POSSIBLE CAUSE</b>	<b>WHAT TO DO</b>
<b>Dishwasher will not start</b>	No power.	Ensure the dishwasher is plugged in and the power supply is turned on at the wall.
	The door is not properly closed.	Close the door.
	Water tap not turned on.	Ensure water is connected and turned on.
	Blocked strainer in water inlet hose.	Check the strainer and clean if necessary—it is located where the water inlet hose screws into the tap.
<b>Lower spray arm rotates with difficulty</b>	Spray arm holes are blocked by small items or food particles.	Clean the spray arm. See 'Care and cleaning' for instructions.
<b>Cover of detergent dispenser cannot be closed</b>	Detergent compartment has been overfilled.	Remove detergent until the cover can be closed.
	Detergent dispenser is clogged with remnants of detergent.	Wipe dispenser out with a damp cloth. Dry the dispenser before adding detergent.
<b>Remnants of detergent stuck inside dispenser</b>	Compartment was damp when filled with detergent.	Wipe dispenser out with a damp cloth. Dry the dispenser before adding detergent.
	Utensils are blocking the detergent dispenser from opening.	Ensure there are no large utensils positioned in a way that will stop the dispenser cover from opening when the dishwasher door is closed.
<b>Water remains inside dishwasher after wash has ended</b>	Drain hose is crimped, bent, or blocked.	Check the drain hose and straighten if needed.
	Pump is jammed.	Call your Fisher & Paykel Authorised Service Centre or Customer Care.
	Filter(s) blocked.	Clean the filter(s). See 'Care and cleaning' for instructions.
<b>Foaming</b>	Incorrect amount or type of detergent used.	See section 'Adding detergent' or consult the detergent manufacturer's instructions.
	Too much egg in the wash load.	Increase the amount of detergent.
	Rinse aid dosage level too high.	Decrease the rinse aid dosage.
	Rinse aid spills not wiped up.	Ensure that all rinse aid spills are wiped up when they occur.
<b>Display shows the letters F, L, P, C or S</b>	Dishwasher is in Technician Mode.	Touch and hold ► to exit. If the Dishwasher remains in Technician Mode call Customer Care.

<b>PROBLEM</b>	<b>POSSIBLE CAUSE</b>	<b>WHAT TO DO</b>
<b>The dishwasher stops suddenly during the wash</b>	Power or water supply has been interrupted.	Check the power and water supplies.
<b>Knocking or rattling sound during wash</b>	Spray arm knocking against dishes.	Pause the wash and rearrange dishes. See sections 'Controls and starting a wash' and 'Loading'.
	Dishes have been stacked incorrectly.	
<b>Unclean dishes</b>	Wash programme unsuitable for load.	See section 'Wash programmes and detergent quantities' and select a suitable programme.
	Soils were too heavily baked on.	Dishes may need soaking.
	Spray arm(s) unable to rotate.	Ensure no items are obstructing the spray arm path.
	Dishwasher overloaded or incorrectly loaded.	See the 'Loading' section.
	The filters are incorrectly inserted.	See section 'Care and cleaning'.
	Detergent put in the wrong compartment.	See sections 'Wash programmes and detergent quantities' and 'Adding detergent'.
	Excessive food not removed from dishes before loading.	Scrape all food scraps off dishes before loading.
	Unsuitable detergent.	Only use powdered or tablet detergent designed for domestic dishwashers.
	Not enough detergent.	See 'Wash programmes and detergent quantities' for recommended quantities. You may need to adjust these to suit your particular load and the hardness of your water supply.
	Spray arm holes are blocked.	Clean the spray arm(s). See 'Care and cleaning' for instructions.
	The filters are blocked.	Clean the filters. See 'Care and cleaning' for instructions.
<b>Plastic items are discoloured (eg stain left by tomato sauce)</b>	Not enough detergent, not pre-rinsed.	Pre-rinse plastic dishes before placing in the dishwasher and/or add more detergent. Alternatively, using the Rinse programme after adding dishes may minimise staining.

## TROUBLESHOOTING

<b>PROBLEM</b>	<b>POSSIBLE CAUSE</b>	<b>WHAT TO DO</b>
<b>White stains are left on dishes; glasses have a milky appearance</b>	Not enough detergent.	See section 'Wash programmes and detergent quantities' for recommended quantities. You may need to adjust these to suit the hardness of your water supply.
	Rinse aid dosage too low.	Increase rinse aid dosage. See 'Using rinse aid'.
<b>Dishes, cutlery have not dried</b>	Rinse aid dosage too low.	Increase rinse aid dosage. See 'Using rinse aid'.
	Items removed too soon.	After the end of the wash programme, leave the door ajar and wait for several minutes to help drying.
	Rinse aid dispenser empty. (The rinse aid indicators are lit.)	Add rinse aid. See section 'Using rinse aid' for instructions.
<b>Glasses have dull appearance</b>	Rinse aid dosage too low.	Increase rinse aid dosage. See 'Using rinse aid'.
<b>Tea stains or traces of lipstick have not been completely removed</b>	Not enough detergent.	See section 'Wash programmes and detergent quantities' for recommended quantities. You may need to adjust these to suit your particular load.
	Wash temperature too low.	Select a wash programme with a higher temperature. See section 'Wash programme data' for information.
<b>Traces of rust on cutlery</b>	Cutlery is not sufficiently rustproof	Wash by hand.
<b>Glasses clouded and discoloured; milky coating</b>	Hard water situation.	Increase detergent quantities.
	Glasses are not dishwasher proof.	Wash by hand.
<b>Water marks left on glasses and cutlery</b>	Rinse aid level or dosage setting is too low.	Ensure there is rinse aid in dispenser. If necessary, increase the rinse aid setting or try using a wash programme with a higher temperature. See sections 'Using rinse aid' and 'Wash programme data'.
<b>Hard water</b>		Increase the rinse aid setting and the amount of detergent. See section 'Water hardness and dishwashing'. If living in an area with very hard water, consult a plumber on installing a household water softener.



**DW24U2I1**

	<b>AUTO</b>	<b>MEDIUM</b>	<b>ECO*</b>	<b>FAST</b>	<b>HEAVY</b>	<b>DELICATE</b>	<b>RINSE</b>
<b>Stages</b>	pre-wash	pre-wash			pre-wash		pre-wash 113°F
	main wash 113 - 154°F	main wash 140°F	main wash 111°F	main wash 113°F	main wash 154°F	main wash 113°F	
	post-rinse	post-rinse	post-rinse	post-rinse	post-rinse	post-rinse	
	final rinse 158°F	final rinse 158°F	final rinse 124°F	final rinse 131°F	final rinse 158°F	final rinse 131°F	
	drying	drying	drying	drying	drying	drying	

**DW24U6I1**

	<b>AUTO</b>	<b>MEDIUM</b>	<b>ECO*</b>	<b>FAST</b>	<b>HEAVY</b>	<b>DELICATE</b>	<b>RINSE</b>
<b>Stages</b>	pre-wash	pre-wash			pre-wash		rinse 113°F
	main wash 113 - 154°F	main wash 140°F	main wash 111°F	main wash 113°F	main wash 154°F	main wash 113°F	
	post-rinse	post-rinse	post-rinse	post-rinse	post-rinse	post-rinse	
	final rinse 158°F	final rinse 158°F	main wash 124°F	final rinse 122°F	final rinse 158°F	final rinse 122°F	
	drying	drying	drying	drying	drying	drying	

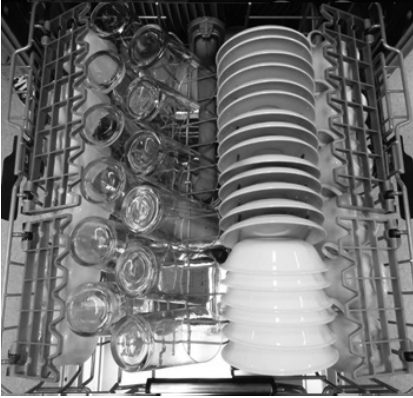
\* Reference program for energy label compliance with IO CFR part 430 and CAN/CSA-C373 Regulations. The entering water should be 120°F.

# LOADING THE DISHWASHER

---

## Loading examples

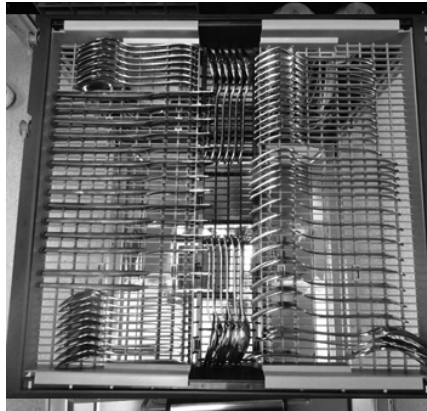
Loading for 14 standard place settings with cutlery tray.



Middle basket



Lower basket



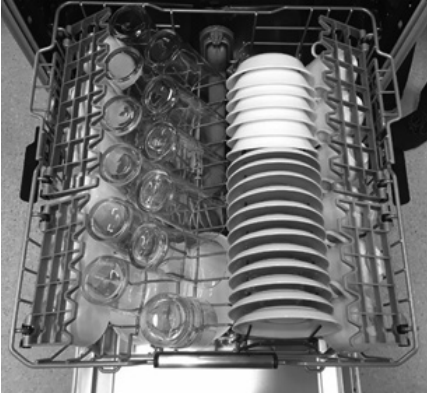
Cutlery tray

# LOADING THE DISHWASHER

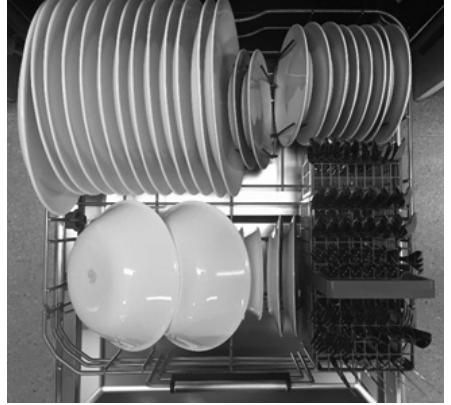
---

## Loading examples

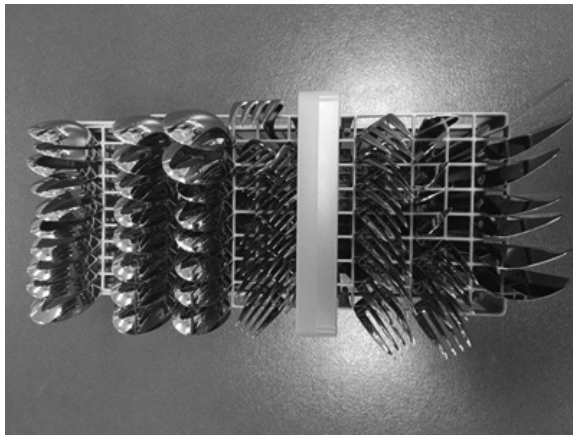
Loading for 12 standard place settings with cutlery basket.



Middle basket



Lower basket



Cutlery basket

## WARRANTY AND SERVICE

---

### Before you call for service or assistance:

Check the things you can do yourself. Refer to the Installation guide and your User guide and check that:

- ① Your product is correctly installed.
- ② You are familiar with its normal operation.

If after checking these points you still need assistance or parts, refer to the Service & Warranty book for warranty details and your nearest Authorised Service Centre, Customer Care, or contact us through our website [fisherpaykel.com](http://fisherpaykel.com).

Complete and keep for safe reference:

Model \_\_\_\_\_

Serial No. \_\_\_\_\_

Purchase Date \_\_\_\_\_

Purchaser \_\_\_\_\_

Dealer \_\_\_\_\_

Suburb \_\_\_\_\_

Town \_\_\_\_\_

Country \_\_\_\_\_





---

Introduction	39
Consignes de sécurité et mises en garde	40
Instructions d'utilisation	43
Entretien de votre vaisselle	51
Conseils de chargement	52
Dureté de l'eau et lavage de la vaisselle	54
Programmes de lavage et quantités de détergent	55
Ajout de détergent	56
Utilisation d'un produit de rinçage	57
Après le lavage	58
Entretien et nettoyage	59
Codes d'erreur	62
Dépannage	64
Données de programme de lavage	69
Garantie et Service	72

---

## **IMPORTANT!**

### **CONSERVEZ CES INSTRUCTIONS**

Les modèles illustrés dans ce guide d'utilisation peuvent ne pas être disponibles dans tous les pays et sont sujets à modifications sans préavis. Pour les plus récentes informations sur la disponibilité des modèles et des caractéristiques dans votre pays, visitez notre site Web [fisherpaykel.com](http://fisherpaykel.com) ou contactez votre détaillant Fisher & Paykel local.



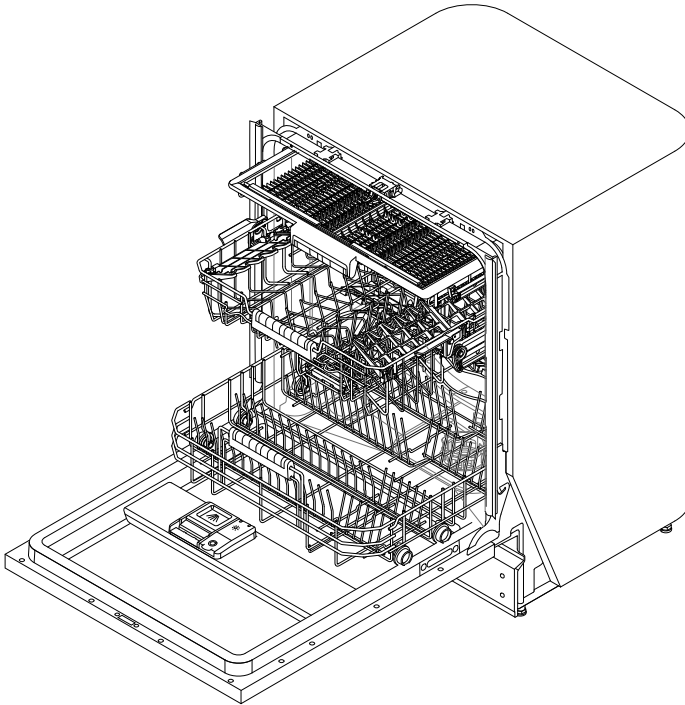


Ce guide d'utilisation accompagne le 'Guide de démarrage rapide' fourni avec votre lave-vaisselle.

Pour les instructions d'utilisation, consultez votre 'Guide de démarrage rapide'. En cas de perte de votre 'Guide de démarrage rapide', vous pouvez le télécharger à partir de notre site Web local, à l'adresse indiquée sur la couverture arrière.

**Reportez-vous au 'Guide de démarrage rapide' pour obtenir des informations sur :**

- Le démarrage d'un lavage
- Les programmes de lavage et les situations dans lesquelles vous devez les utiliser
- Les commandes
- Les caractéristiques de la grille.



### **MISE EN GARDE!**



#### Risque de choc électrique

Lisez et observez les consignes de sécurité et mises en garde contenues dans ce guide d'utilisation avant d'utiliser cet appareil.

Le fait de ne pas respecter ces consignes peut causer la mort, un choc électrique, un incendie ou des blessures.

Utilisez uniquement cet appareil aux fins pour lesquelles il a été conçu, comme le stipule le guide d'utilisation.

## CONSIGNES DE SÉCURITÉ IMPORTANTES

### **MISE EN GARDE!**

Lors de l'utilisation de votre lave-vaisselle, veuillez suivre les consignes de sécurité de base, notamment :

- Lisez toutes les instructions avant d'utiliser le lave-vaisselle.
- Il importe de suivre les directives comprises dans le présent manuel afin de réduire le risque d'incendie ou d'explosion, ou prévenir tout dommage matériel, toute blessure ou toute perte de vie.
- Utilisez le lave-vaisselle uniquement aux fins prévues dans ce guide d'utilisation.
- Cet appareil est conçu pour une utilisation domestique et d'autres applications semblables, telles que :
  - espace de cuisine pour le personnel dans les ateliers, bureaux et autres environnements de travail;
  - maisons de ferme;
  - utilisation par les clients dans les hôtels, motels et autres environnements de type résidentiel;
  - environnements de type gîte touristique ('bed and breakfast').
- Les lave-vaisselle résidentiels certifiés NSF 184 ne sont pas conçus pour les établissements alimentaires titulaires d'une licence.
- Utilisez uniquement des détergents ou produits de rinçage recommandés pour les lave-vaisselle domestiques et veillez à les garder hors de la portée des enfants.
- Veillez à ce que le distributeur de détergent soit vide à la fin de chaque programme de lavage.
- Lors du chargement des articles à laver, placez les articles tranchants de manière à ce qu'ils ne risquent pas d'endommager le lave-vaisselle et placez les couteaux tranchants avec le manche vers le haut pour réduire le risque de blessure ou de coupure.
- Ne lavez pas d'articles en plastique qui ne comportent pas une mention « lavable au lave-vaisselle » ou l'équivalent. Pour les articles en plastique sans cette mention, vérifiez les recommandations du fabricant.
- Ne touchez pas à la plaque de filtration (le disque métallique dans la base du lave-vaisselle) pendant l'utilisation ou immédiatement après, car elle peut conduire la chaleur du plateau chauffant situé en dessous.
- Ne modifiez pas les commandes de réglage.
- Ne vous assoyez ou ne montez pas sur la porte ou la grille à vaisselle du lave-vaisselle et ne les utilisez jamais de façon abusive.
- N'utilisez pas les grilles ajustables pour vous appuyer ou soutenir votre poids corporel.
- Pour réduire le risque de blessure, ne permettez pas aux enfants de jouer à l'intérieur du lave-vaisselle, ni sur celui-ci.
- Dans certaines conditions, il est possible qu'un système de chauffe-eau produise de l'hydrogène s'il n'est pas utilisé pendant deux semaines ou plus. L'HYDROGÈNE EST UN

**GAZ EXPLOSIF.** Si le système d'eau chaude n'a pas été utilisé durant deux semaines ou plus, ouvrez tous les robinets d'eau chaude et laissez l'eau s'écouler de chacun d'eux pendant plusieurs minutes avant d'utiliser le lave-vaisselle. Ceci permettra de libérer tout l'hydrogène accumulé. Comme le gaz est inflammable, veillez à ne pas fumer ni utiliser une flamme nue pendant ce temps.

- Retirez la porte du compartiment de lavage au moment de vous départir de votre ancien lave-vaisselle ou de mettre celui-ci au rebut.
- Certains détergents pour lave-vaisselle sont très alcalins. Il peut être extrêmement dangereux de les avaler. Évitez tout contact avec la peau et les yeux et éloignez les enfants du lave-vaisselle lorsque la porte est ouverte. Veillez à ce que le récipient à détergent soit vide à la fin du cycle de lavage.

## INSTALLATION

- Ce lave-vaisselle doit être installé et positionné conformément aux instructions d'installation avant d'être utilisé. Si vous n'avez pas reçu les instructions d'installation avec votre lave-vaisselle, vous pouvez les commander en appelant un réparateur autorisé ou les télécharger à partir de notre site Web Fisher & Paykel local, à l'adresse indiquée sur la couverture arrière.
- L'installation et l'entretien doivent être effectués par un technicien qualifié.
- Si le cordon d'alimentation est endommagé, vous devez le faire remplacer par un détaillant, un réparateur autorisé ou une personne de métier possédant des compétences similaires afin d'éviter tout danger.
- Veillez à ce que le lave-vaisselle soit solidement fixé aux armoires adjacentes à l'aide des pièces de fixation fournies pour éviter qu'il soit instable et puisse causer des dommages ou des blessures.
- Ne faites pas fonctionner cet appareil s'il est endommagé, s'il ne fonctionne pas correctement, s'il est partiellement démonté, si des pièces sont brisées ou détachées ou si la fiche ou le cordon d'alimentation est endommagé.
- N'entreposez ou n'utilisez pas d'essence ou d'autres liquides ou vapeurs inflammables à proximité du lave-vaisselle.
- Branchez l'appareil à un circuit d'alimentation électrique correctement homologué, protégé et calibré pour éviter toute surcharge électrique.
- Installez le cordon d'alimentation de façon à ce qu'il ne puisse pas se faire écraser, causer une chute ou subir des tensions ou dommages.
- N'installez ou n'entreposez pas le lave-vaisselle à un endroit où il serait exposé à des températures sous le point de congélation ou des intempéries.
- N'utilisez pas de rallonge électrique ou d'appareil avec prise électrique portatif (comme un boîtier à prises multiples) pour brancher le lave-vaisselle à l'alimentation électrique.

## MISE EN GARDE!

- Le raccordement inadéquat du conducteur de mise à la terre de cet appareil peut entraîner un risque de choc électrique.
- Contactez un électricien ou un représentant de service qualifié si vous n'êtes pas certain que l'appareil est correctement mis à la terre.
- Ne modifiez pas la fiche fournie avec l'appareil; si vous ne parvenez pas à l'insérer dans la prise électrique, faites installer une prise adéquate par un technicien qualifié.

## MISE À LA TERRE

- Cet appareil doit être mis à la terre. En cas de bris ou de problème de fonctionnement, la mise à la terre réduit les risques d'électrocution en offrant un trajet de moindre résistance au courant électrique.
- Cet appareil est équipé d'un cordon d'alimentation muni d'un conducteur et d'une fiche avec mise à la terre. Cette fiche doit être branchée dans une prise correctement installée et mise à la terre en respectant tous les codes et règlements locaux.

## CONSIGNES DE SÉCURITÉ ET MISES EN GARDE

---

- Si le lave-vaisselle est installé pour être branché en permanence :

Cet appareil doit être relié à un système de câblage métallique permanent mis à la terre, ou un conducteur de mise à la terre d'équipement doit accompagner les conducteurs de circuit et être raccordé à la borne ou au fil de mise à la terre d'équipement sur l'appareil.

### ENTRETIEN

- Débranchez l'appareil de la prise de courant avant de procéder au nettoyage ou à l'entretien.
- Lors du débranchement de l'appareil, tirez sur la fiche plutôt que sur le cordon d'alimentation ou la jonction du cordon pour éviter de l'endommager.
- Ne réparez ou ne remplacez aucune des pièces de l'appareil et n'effectuez aucun entretien qui n'est pas recommandé expressément dans ce guide d'utilisation.
- Nous vous conseillons de contacter le service à la clientèle pour prévoir une réparation. Consultez le manuel d'entretien et de garantie pour obtenir les coordonnées.
- Veillez à ce que le plancher autour de votre appareil soit propre et sec pour réduire les risques de chute.
- Évitez l'accumulation de matières combustibles telles que la mousse, le papier, les chiffons et les produits chimiques autour de l'appareil et sous celui-ci.

### FONCTIONNEMENT

- N'ouvrez pas le lave-vaisselle pendant qu'il fonctionne. Il y a un risque d'être aspergé d'eau chaude. N'ouvrez pas entièrement la porte avant que les bras gicleurs aient cessé de tourner.
- Ne laissez pas la porte ouverte, car elle pourrait vous faire trébucher.
- L'eau à l'intérieur du lave-vaisselle n'est pas potable.
- Le lave-vaisselle doit être utilisé avec la plaque de filtration, le filtre de vidange et le(s) bras gicleur(s) installés. Pour identifier ces pièces, reportez-vous aux illustrations de la section 'Entretien et nettoyage' de ce guide d'utilisation.
- Ne faites pas fonctionner ce lave-vaisselle s'il est endommagé, s'il ne fonctionne pas correctement, s'il est partiellement démonté, si des pièces sont brisées ou détachées ou si la fiche ou le cordon d'alimentation est endommagé.
- Les appareils électroménagers ne sont pas conçus pour servir de jouets. Les enfants de moins de 8 ans doivent être tenus à distance de l'appareil, à moins qu'ils ne soient continuellement supervisés. Cet appareil peut être utilisé par des enfants d'au moins 8 ans et des personnes aux capacités physiques, sensorielles ou mentales réduites, ou encore ne possédant pas l'expérience et les connaissances requises, s'ils sont supervisés ou ont reçu des instructions concernant l'utilisation de l'appareil d'une manière sécuritaire et s'ils comprennent bien les dangers potentiels.
- Le nettoyage et l'entretien par l'utilisateur ne doivent pas être effectués par des enfants sans supervision.
- Ne permettez pas aux enfants de jouer sur, dans ou avec l'appareil, ni avec un quelconque appareil mis au rebut.
- Pour éviter de causer des dommages au lave-vaisselle, nous vous recommandons vivement d'exécuter un programme de lavage avec détergent immédiatement après chaque utilisation d'un agent nettoyant pour lave-vaisselle.
- Le lave-vaisselle est conçu pour laver des ustensiles de cuisine normaux. Les articles contaminés par de l'essence, de la peinture, des débris de fer ou d'acier, de la corrosion ou des produits chimiques acides ou alcalins ne doivent pas être lavés dans le lave-vaisselle.
- Lorsque le lave-vaisselle n'est pas utilisé pendant de longues périodes, coupez l'alimentation en eau et en électricité de l'appareil.

## Commandes et démarrage d'un lavage

### Démarrer un programme de lavage

- ① Ouvrez la porte pour mettre en MARCHE le lave-vaisselle.
  - L'afficheur indiquera la durée du programme de lavage.
- ② Sélectionnez le programme de lavage souhaité sur le panneau de commande du lave-vaisselle.
  - Le cycle Eco est sélectionné par défaut lors de la mise en marche initiale du lave-vaisselle.
  - Après le premier lavage, le lave-vaisselle mémorise le dernier programme utilisé.
- ③ Sélectionnez une option de modification de lavage (pour modèles DW24U6I uniquement). Le voyant de l'option de modification de lavage sélectionnée s'allumera (consultez 'Sélection des options de modification de lavage').
- ④ Appuyez et fermez la porte pour démarrer le programme de lavage.

### Mettre en pause et redémarrer un programme de lavage

- ① Ouvrez doucement la porte pour mettre en pause le programme. La durée restante clignote et le bip de mise en pause retentit pendant que le lave-vaisselle est mis en pause.

## IMPORTANT!

**Il y a un risque d'être aspergé d'eau chaude. N'ouvrez pas entièrement la porte avant que les bras gicleurs aient cessé de tourner.**

- ② Chargez, retirez ou redispensez des articles de vaisselle, si nécessaire.
- ③ Appuyez sur la touche de démarrage et fermez la porte dans un délai de 4 secondes pour redémarrer le programme.
- ④ Appuyez sur la touche de démarrage et fermez la porte dans un délai de 4 secondes pour redémarrer le programme.  
Si le lave-vaisselle n'est pas redémarré dans les 7 minutes, il émettra un bip jusqu'à ce que le cycle soit redémarré.

### Annuler ou modifier un programme de lavage

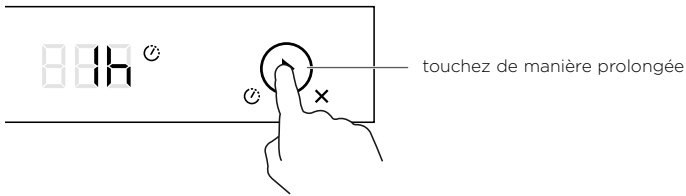
- ① Ouvrez doucement la porte pour mettre en pause le programme.
- ② Touchez de manière prolongée à ► pour annuler le programme.
- ③ Touchez à n'importe quelle touche pour remettre en marche le lave-vaisselle, puis suivez les étapes de la section 'Démarrer un programme de lavage' ci-dessus.

# INSTRUCTIONS D'UTILISATION

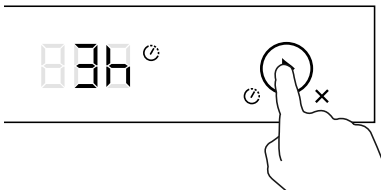
## Réglage de la mise en marche différée

Cette fonction permet de retarder le démarrage d'un programme de lavage de 1 à 12 heures.

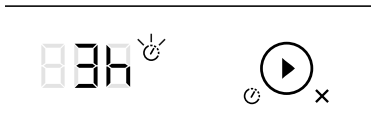
- ① Chargez la vaisselle, ajoutez le détergent et fermez la porte.
- ② Ouvrez la porte pour mettre en marche le lave-vaisselle.
- ③ Vérifiez que l'afficheur indique le programme de lavage requis.  
Si ce n'est pas le cas, consultez les instructions de la section 'Modifier un programme de lavage'.



- ④ Touchez de manière prolongée à ►
  - Le voyant de 'Mise en marche différée' ⌚ s'allumera et l'afficheur indiquera le délai (heures).



- ⑤ Touchez de nouveau à ► pour augmenter le nombre d'heures souhaité pour la mise en marche différée (1 à 12 h, par intervalles d'une heure).  
Remarque : Faites défiler au-delà de 12 heures pour quitter la 'Mise en marche différée'.
- ⑥ Maintenez enfoncée ► pour démarrer la mise en marche différée. L'afficheur effectuera le compte à rebours en heures.  
Le programme de lavage démarrera automatiquement lorsque le délai sera écoulé.



- Le voyant de 'Mise en marche différée' s'allume lorsque la 'Mise en marche différée' commence le compte à rebours.
- Si la porte est ouverte lorsque le compte à rebours est terminé, le lave-vaisselle émet un bip et l'afficheur clignote. Après 7 secondes, le lave-vaisselle s'éteindra.

## Annuler la mise en marche différée

Touchez ► jusqu'à ce que l'heure de mise en marche différée soit 12 h, puis appuyez de nouveau sur la touche de démarrage pour annuler la mise en marche différée.

### Réglage des options de modification de lavage (modèles DW24U6I uniquement)

En plus du réglage de programme de lavage, vous pouvez sélectionner l'une des options supplémentaires suivantes :

- **Extra dry (Extra sec)** : Augmente la température de lavage et la durée de la phase de séchage pour améliorer l'efficacité du séchage. Cette option s'avère particulièrement utile pour les articles en plastique.
- **Quick (Rapide)** : Utilise une plus grande quantité d'eau et d'énergie afin de permettre un temps de lavage plus rapide, sans nuire à la qualité du lavage.
- **Sanitize (Désinfection)** : Augmente la température de l'eau pendant la phase de rinçage afin de désinfecter la vaisselle. Option idéale pour le lavage d'articles tels que les biberons et les bocaux à conserves.



### Régler une option de modification de lavage

- ① Après la sélection de votre programme de lavage, touchez à l'option de modification de lavage souhaitée pour la sélectionner. Le voyant de l'option de modification de lavage s'allumera.
- ② Touchez une fois à ► pour démarrer le lavage.
- ③ Fermez la porte.

Remarque : plusieurs options de modification peuvent être sélectionnées, selon le cycle sélectionné.

PROGRAMME DE LAVAGE	OPTION DE MODIFICATION DISPONIBLE		
Auto	-	-	-
Medium (Moyen)	Extra Dry (Extra sec)	Quick (Rapide)	Sanitize (Désinfection)
Eco	-	-	-
Fast (Rapide)	Extra Dry (Extra sec)	-	Sanitize (Désinfection)
Heavy (Intensif)	Extra Dry (Extra sec)	Quick (Rapide)	Sanitize (Désinfection)
Delicate (Délicat)	Extra Dry (Extra sec)	Quick (Rapide)	-
Rinse (Rinçage)	-	-	-

### Annuler l'option de modification de lavage

Touchez de nouveau à l'option de modification. Le voyant de l'option de modification de lavage s'éteindra.

# INSTRUCTIONS D'UTILISATION

## Réglage des options de modification de lavage (modèles DW24U6I uniquement)

### Utilisation de l'option de désinfection

L'option de désinfection permet au programme de lavage de répondre aux conditions requises par la Section 6, NSF 184 pour effectuer la désinfection. Pendant la désinfection, le programme de lavage est contrôlé afin d'assurer la conformité à ces conditions.


### IMPORTANT!

- **Pour effectuer la désinfection, la température de l'eau doit atteindre 70 °C/158 °F. Vérifiez que tous les articles sont lavables au lave-vaisselle avant d'utiliser l'option de désinfection.**
- **Si le lavage est interrompu ou l'alimentation en eau est fermée pendant le cycle, les conditions de chauffage requises pour la désinfection pourraient ne pas être respectées. Vous pourriez avoir à exécuter de nouveau le cycle pour assurer la désinfection de votre vaisselle.**
- **Seuls les cycles utilisant l'option de modification de lavage de désinfection sont conçus pour répondre aux conditions requises par la Section 6, NSF 184. Les autres programmes de lavage pourraient ne pas atteindre les températures requises pour effectuer la désinfection. Consultez le tableau à la page précédente pour connaître les programmes de lavage avec option de désinfection.**

À la fin d'un programme de lavage avec désinfection, vérifiez toujours l'afficheur pour vous assurer que la désinfection s'est effectuée correctement.



### Si la désinfection s'est effectuée correctement :

- Le lave-vaisselle émettra des bips
  -  apparaîtra dans l'afficheur
- Après 30 secondes, l'afficheur s'éteindra.



### Si la désinfection ne s'est pas effectuée correctement :

- Une alerte sera émise
- Un code d'erreur apparaîtra dans l'afficheur
- Le voyant de désinfection ne s'allumera pas.



## Réglage de 1/2 charge (modèles DW24U6I uniquement)

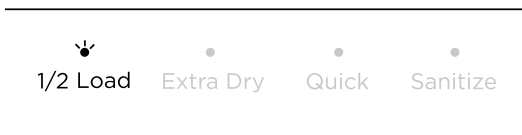
### Option de demi-charge

- Si vous n'avez pas une charge complète de vaisselle à laver, vous pouvez choisir l'option de 1/2 charge. Cette option peut s'avérer utile si, par exemple, vous souhaitez uniquement laver la vaisselle utilisée pour le déjeuner. La vaisselle ne doit alors remplir que la moitié du lave-vaisselle, mais vous pouvez la placer dans les paniers supérieur et inférieur.
- Cette option est disponible avec ces programmes et options de modification de lavage :

PROGRAMME DE LAVAGE DISPONIBLE AVEC 1/2 CHARGE	OPTION DE MODIFICATION DISPONIBLE AVEC 1/2 CHARGE	
Medium (Moyen)	Extra Dry (Extra sec)	Sanitize (Désinfection)
Eco	-	-
Heavy (Intensif)	Extra Dry (Extra sec)	Sanitize (Désinfection)
Delicate (Délicat)	Extra Dry (Extra sec)	-

### Sélectionner la 1/2 charge

- ① Ouvrez la porte pour mettre en marche le lave-vaisselle.
- ② Sélectionnez un programme de lavage, ainsi qu'une option de modification de lavage (si nécessaire).
- ③ Touchez à l'option de demi-charge. Le voyant de demi-charge s'allumera.



### Annuler la 1/2 charge

- ① Touchez à l'option de demi-charge.
  - Le voyant de demi-charge s'éteindra.

Remarque : Il n'est pas possible d'annuler l'option de 1/2 charge pendant qu'un programme de lavage est en cours.

# INSTRUCTIONS D'UTILISATION

## Réglages de préférence de l'utilisateur

Ces réglages vous permettent de définir vos préférences :

- Modifier le réglage du produit de rinçage et activer ou désactiver l'utilisation du produit de rinçage.
- Activer ou désactiver les bips.
- Allumer ou éteindre l'éclairage de la cavité (modèles DW24U6I uniquement)
- Allumer ou éteindre l'éclairage au sol (modèles DW24U6I uniquement)

### Modifier le réglage du produit de rinçage

- ① Ouvrez la porte pour mettre en marche le lave-vaisselle.
- ② Touchez de manière prolongée à ► et Rinse (Rinçage) jusqu'à ce qu'un bip soit émis pour accéder au menu de préférences de l'utilisateur. L'afficheur indiquera le réglage du produit de rinçage actuel.
  - Rinse (Rinçage) clignote en mode d'options de préférence.



- ③ Touchez à ► pour faire défiler de **RAI** (distribution minimale) à **RAB** (distribution maximale) ou à **RA-** (produit de rinçage désactivé).

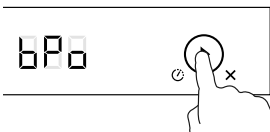


- ④ Touchez à Rinse (Rinçage) pour passer au réglage suivant ou touchez de manière prolongée à ► jusqu'à ce qu'un bip soit émis pour quitter le menu de préférences de l'utilisateur.

### Activer ou désactiver les bips

Cette option désactive tous les sons du lave-vaisselle (à l'exception des alertes de défaillance).

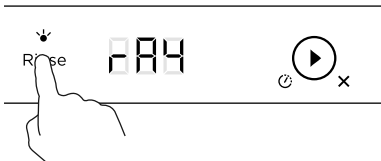
- ① Assurez-vous que le lave-vaisselle est en marche.
- ② Touchez de manière prolongée à ► et Rinse (Rinçage) simultanément jusqu'à ce qu'un bip soit émis pour accéder au menu de préférences de l'utilisateur. L'afficheur indiquera le réglage du produit de rinçage actuel.
- ③ Touchez à Rinse (Rinçage) pour faire défiler jusqu'au menu Beeps (Bips).



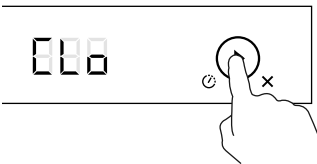
- ④ Touchez à ► pour alterner entre **bP0** (Bips activés) et **bP-** (Bips désactivés)
- ⑤ Touchez de manière prolongée à ► jusqu'à ce qu'un bip soit émis pour quitter le menu de préférences de l'utilisateur.

**Réglages de préférence de l'utilisateur (modèles DW24U6I uniquement)****Allumer ou éteindre l'éclairage de la cavité**

- ① Assurez-vous que le lave-vaisselle est en marche.
- ② Touchez de manière prolongée à ► et Rinse (Rinçage) jusqu'à ce qu'un bip soit émis pour accéder au menu de préférences de l'utilisateur. L'afficheur indiquera le réglage du produit de rinçage actuel.
  - Rinse (Rinçage) clignote en mode d'options de préférence.



- ③ Touchez à Rinse (Rinçage) pour faire défiler jusqu'au menu Cavity Light (Éclairage de cavité).



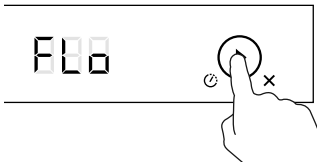
- ④ Touchez à ► pour alterner entre [L] (Éclairage de cavité allumé) et [L-] (Éclairage de cavité éteint).
- ⑤ Touchez de manière prolongée à ► jusqu'à ce qu'un bip soit émis pour quitter le menu de préférences de l'utilisateur.

# INSTRUCTIONS D'UTILISATION

## Réglages de préférence de l'utilisateur (modèles DW24U6I uniquement)

### Allumer ou éteindre l'éclairage au sol

- ① Assurez-vous que le lave-vaisselle est en marche.
- ② Touchez de manière prolongée à ► et Rinse (Rinçage) simultanément jusqu'à ce qu'un bip soit émis pour accéder au menu de préférences de l'utilisateur. L'afficheur indiquera le réglage du produit de rinçage actuel.
- ③ Touchez à Rinse (Rinçage) pour faire défiler jusqu'au menu Floor Light (Éclairage au sol).



- ④ Touchez à ► pour alterner entre **FL0** (Éclairage au sol allumé) et **FL-** (Éclairage au sol éteint).
- ⑤ Touchez de manière prolongée à ► jusqu'à ce qu'un bip soit émis pour quitter le menu de préférences de l'utilisateur.

### SIGNIFICATION DE L'ÉCLAIRAGE AU SOL

Aucun éclairage	Aucun cycle de lavage en cours
Éclairage constant	Cycle de lavage en cours
Clignotement lent	Cycle de lavage en pause
Clignotement rapide	Défaillance du lave-vaisselle

L'action combinée des températures élevées et du détergent de lave-vaisselle peut endommager certains articles lavés dans le lave-vaisselle. En cas de doute concernant un aspect quelconque de tout article lavé dans le lave-vaisselle, consultez les instructions fournies par le fabricant de l'article en question ou lavez l'article à la main.

## **IMPORTANT!**

**Ne placez jamais de matériaux très absorbants, comme des éponges et des serviettes, dans votre lave-vaisselle. Ne placez pas de vaisselle ou d'ustensiles tachés de cendre de tabac, de cire, de graisse lubrifiante ou de peinture dans votre lave-vaisselle.**

### **Coutellerie et argenterie**

Vous devez rincer la coutellerie et l'argenterie immédiatement après chaque utilisation pour prévenir le ternissement causé par certains aliments. Les articles en argent ne doivent pas entrer en contact avec l'acier inoxydable des autres ustensiles. Le fait de mélanger ces articles peut causer un ternissement. Retirez la coutellerie en argent du lave-vaisselle et séchez-la à la main immédiatement après le programme de lavage.

### **Aluminium**

Le détergent pour lave-vaisselle peut ternir l'aluminium. Le degré de ternissement dépend de la qualité de l'article.

### **Autres métaux**

Les objets en fer et en fonte peuvent rouiller et tacher d'autres articles. Le cuivre, l'étain et le laiton ont aussi tendance à causer des taches. Lavez ces articles à la main.

### **Vaisselle en bois**

Les articles en bois sont normalement sensibles à l'eau et la chaleur. Le fait de les laver régulièrement dans le lave-vaisselle peut finir par les endommager avec le temps. En cas de doute, lavez-les à la main.

### **Verrerie**

La plupart des articles de verre à usage quotidien peuvent être lavés au lave-vaisselle. Le cristal et les articles anciens ou en verre très fin peuvent toutefois se détériorer (c.-à-d. devenir opaques). Il peut être préférable de laver ces articles à la main.

### **Plastique**

Certains plastiques peuvent changer de forme ou de couleur dans l'eau chaude. Consultez les instructions du fabricant au sujet du lavage des articles en plastique. Vous devez appliquer un poids sur les articles en plastique lavables pour éviter qu'ils ne puissent se renverser, se remplir d'eau ou tomber au travers du panier pendant le lavage.

### **Articles décorés**

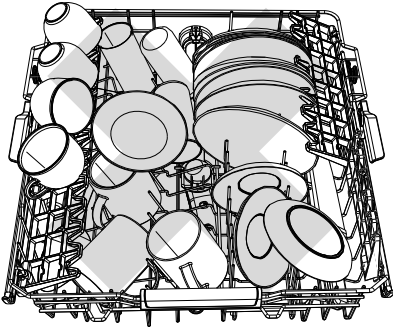
La plupart des articles en porcelaine modernes peuvent être lavés au lave-vaisselle. Les articles anciens, les articles dont le motif est peint sur le glacis, les articles ornés d'or ou les articles en porcelaine peints à la main peuvent être plus sensibles au lavage dans le lave-vaisselle. En cas de doute, lavez-les à la main.

### **Articles collés**

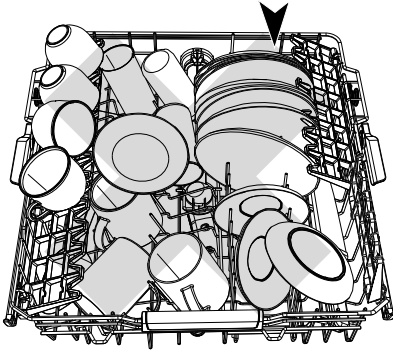
Le lavage dans le lave-vaisselle peut adoucir ou dissoudre certains produits adhésifs. En cas de doute, lavez-les à la main.

### Chargement de votre lave-vaisselle

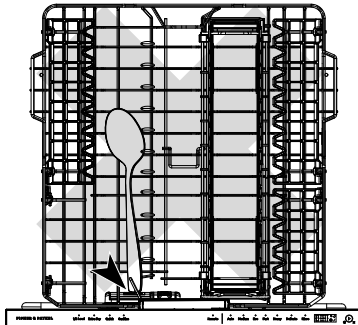
- Placez la vaisselle de façon à ce que l'eau des bras gicleurs rotatifs (situés en dessous) puisse atteindre tous les articles, plus particulièrement les articles sur les grilles pour tasses rabattables. Sinon, l'efficacité du lavage sera réduite.
- Assurez-vous que les verres et les autres articles fragiles sont stables pour éviter qu'ils se renversent et soient endommagés pendant le lavage.
- Vous devez appliquer un poids sur les articles en plastique légers et semi-rigides, ou encore les placer sur les grilles pour tasses ou dans le plateau à ustensiles.
- Assurez-vous qu'aucun article de vaisselle n'empêchera les bras gicleurs de tourner.



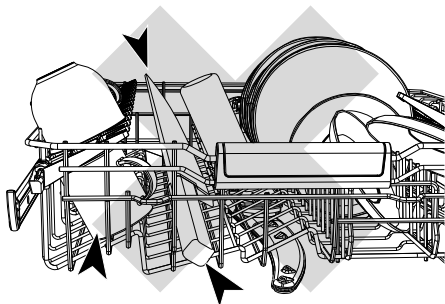
- Surcharge pouvant faire en sorte que l'eau de lavage n'atteigne pas toute la vaisselle.
- Les tasses, les verres et les bols doivent être placés avec leur ouverture vers le bas.



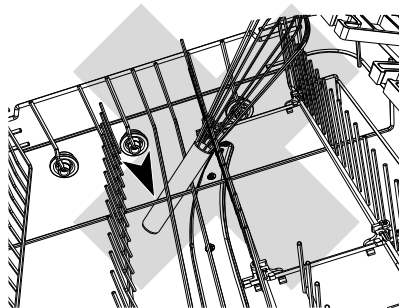
- Les assiettes sont collées les unes contre les autres, ce qui peut empêcher l'eau de lavage de circuler.
- Assurez-vous que la coutellerie et les ustensiles ne sont pas emmêlés ou pris ensemble. Ils doivent être étalés uniformément.



- Assurez-vous que les grands ustensiles ne sont pas coincés contre la porte, car cela pourrait empêcher l'ouverture du distributeur de détergent.



- La grande tasse dans le bas empêche l'eau de lavage d'atteindre la tasse sur la grille.
- La poignée du couteau empêche l'ouverture de la porte du distributeur.
- Placez les articles tranchants de manière à ce qu'ils ne risquent pas de blesser l'utilisateur ou d'endommager le joint de porte.
- Pour réduire le risque de blessure, placez les articles tranchants ou pointus à l'horizontale, ou avec le manche pointant vers le haut.
- La hauteur d'assiette maximale est 260 mm.



- Assurez-vous que la coutellerie ne puisse pas tomber à travers la grille à la base pour interrompre la rotation des bras gicleurs.
- Vous devez ranger les grands ustensiles sur les grilles pour tasses rabattables afin d'éviter qu'ils puissent se déplacer et interrompre la rotation des bras gicleurs.
- Inspectez le fond du panier à ustensiles pour vous assurer qu'aucun article tranchant ou pointu ne puisse passer au travers et interrompre la rotation du bras gicleur.

## Qu'est-ce que la dureté de l'eau?

L'eau dure est une eau à concentration élevée en minéraux tels que le calcium et le magnésium. Cette concentration est faible dans l'eau douce. La dureté de l'eau varie en fonction de l'emplacement géographique.

## Comment la dureté de l'eau affecte-t-elle le lavage de la vaisselle?

- L'eau dure peut nuire au rendement de votre lave-vaisselle. Avec le temps, la verrerie lavée avec de l'eau dure devient opaque et les assiettes deviennent tachées ou couvertes d'une pellicule blanche. L'utilisation d'une eau très dure peut même endommager les pièces du lave-vaisselle après un certain temps.
- L'eau naturellement douce ou adoucie n'a aucun effet néfaste lorsque vous l'utilisez avec une quantité de détergent adéquate. Toutefois, l'utilisation d'une quantité excessive de détergent combinée à une eau douce très chaude peut causer une détérioration irréversible de la verrerie. Cette détérioration se présente d'abord sous la forme d'une pellicule multicolore. Suite aux lavages répétés, la verrerie devient définitivement opaque.

## Que puis-je faire pour minimiser les effets néfastes?

Contactez votre service d'aqueduc local pour déterminer la dureté de l'eau dans votre région.

### Si l'eau de votre maison est dure...

- Augmentez la quantité de détergent.
- Utilisez un détergent à haute teneur en phosphate. Le phosphate aide à adoucir l'eau pour permettre de meilleurs résultats lors du lavage. Vous pouvez également essayer des pastilles à usages multiples.
- Utilisez un produit de rinçage. Pour améliorer le rendement de l'appareil, nous vous recommandons d'**activer** le réglage du produit de rinçage et d'utiliser le niveau **5** ou supérieur.
- Utilisez un détartrant/nettoyant pour lave-vaisselle régulièrement ou lorsque vous remarquez une accumulation de dépôts calcaires dans votre lave-vaisselle.

## **IMPORTANT!**

**Nous vous recommandons d'installer un adoucisseur d'eau sur l'alimentation en eau de votre maison.**

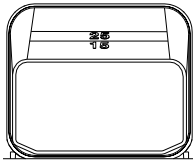
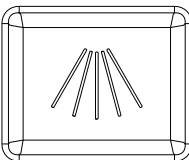
**Si la dureté de l'eau de votre maison est supérieure à 250 ppm/14,6 gpg, vous devez installer un adoucisseur d'eau pour assurer le rendement optimal de votre lave-vaisselle.**

### Si l'eau de votre maison est naturellement douce ou traitée par un adoucisseur d'eau

- Évitez d'utiliser trop de détergent. Respectez les quantités recommandées à la page suivante.
- Assurez-vous de ne pas surcharger le lave-vaisselle pour permettre à l'eau d'atteindre tous les articles.



- Le tableau ci-dessous présente les quantités de détergent en poudre requises pour des niveaux de saleté normaux. Si l'eau de votre maison est plus douce ou plus dure, ou selon la vaisselle chargée, vous pourriez avoir à ajuster ces quantités.
- Si vous utilisez des pastilles, suivez les recommandations du fabricant.
- Le témoin indique l'option sélectionnée.
- Pour le pré-lavage, placez le détergent dans la cavité sur le dessus du distributeur fermé.

PROGRAMME	CHARGE RECOMMANDÉE	QUANTITÉ DE DÉTERGENT EN POUDRE POUR CHAQUE COMPARTIMENT (GRAMMES)	
		Lavage principal	Pré-lavage
			
<b>Auto</b>	N'importe quel type de charge. Le lave-vaisselle sélectionne automatiquement le programme de lavage optimal	20 – 35 g selon le niveau de saleté	aucun
<b>Heavy (Intensif)</b>	Casseroles, poêles et plats de cuisson très sales.	35 g	5 g
<b>Medium (Moyen)</b>	Vaisselle plutôt sale ou restes d'aliments ayant séché pendant la nuit.	35 g	5 g
<b>Eco</b>	Vaisselle normalement sale pour une utilisation d'énergie et d'eau optimale. Remarque : Eco a été utilisé pour évaluer l'efficacité énergétique de ce lave-vaisselle.	25 – 30 g	5 g
<b>Fast (Rapide)</b>	Articles mixtes très peu sales	20 g	aucun
<b>Delicate (Délicat)</b>	Articles délicats (par exemple, sensibles à la chaleur) légèrement sales	20 g	aucun
<b>Rinse (Rinçage)</b>	Prévient les odeurs et le séchage de restes d'aliments sur la vaisselle avant le lavage	aucun	aucun

## AJOUT DE DÉTERGENT

### IMPORTANT!

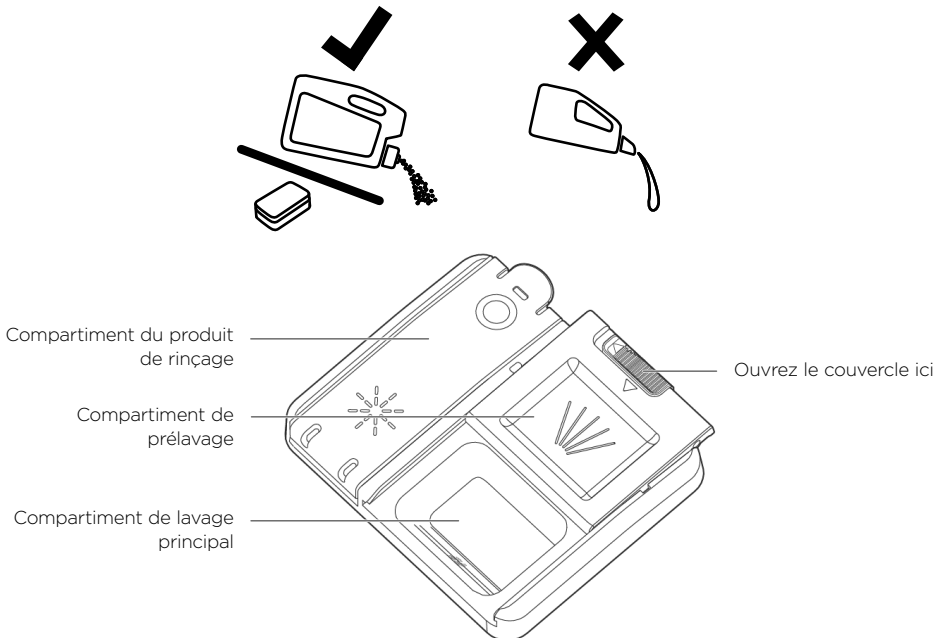
- Utilisez uniquement des détergents recommandés pour les lave-vaisselle automatiques.
- Les détergents pour lave-vaisselle sont très alcalins. Il peut être extrêmement dangereux de les avaler. Évitez tout contact avec la peau et les yeux et éloignez les enfants et les personnes à capacités réduites du lave-vaisselle lorsqu'il est ouvert. Veillez à ce que le distributeur de détergent soit vide à la fin de chaque programme de lavage.
- Ne saupoudrez ou versez jamais de détergent directement sur des articles dans le lave-vaisselle. Les détergents et pastilles pour lave-vaisselle ne doivent jamais être en contact direct avec la vaisselle ou la cutellerie.
- N'utilisez jamais de liquides pour laver la vaisselle à la main, de savon, de détergents à lessive ou de désinfectants, car ils pourraient endommager le lave-vaisselle.

### Remplissage du distributeur de détergent

- ① Ajoutez le détergent ou la pastille dans le distributeur de détergent. Si vous utilisez un détergent en poudre, consultez les quantités recommandées à la page précédente. Les repères '15' et '25' dans le compartiment de lavage principal correspondent à la quantité en grammes de détergent en poudre.
- ② Enlevez tout excédent de détergent des rebords du distributeur.
- ③ Glissez le couvercle pour le fermer. Il s'enclenchera. Le détergent sera automatiquement distribué dans le lave-vaisselle pendant le programme de lavage.

### IMPORTANT!

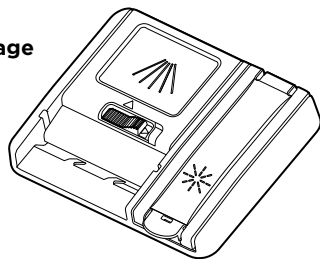
Lors de l'ouverture du distributeur, veillez à ce que le couvercle ne heurte pas vos doigts.



Nous vous recommandons vivement d'utiliser régulièrement un produit de rinçage liquide pour optimiser le séchage. Les produits de rinçage confèrent un aspect clair et un éclat brillant au verre et à la porcelaine, En plus de prévenir le ternissement du métal.

## À quel moment remplir le distributeur de produit de rinçage

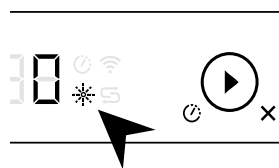
Lorsque le niveau de produit de rinçage est bas, le voyant de produit de rinçage s'allume sur le panneau de commande pour vous rappeler de remplir le distributeur.



## Ajustement de la quantité de produit de rinçage

Le niveau habituel réglé en usine est 5, mais vous pourriez avoir à l'ajuster en fonction des conditions de votre eau.

- Réduisez la quantité s'il y a un excès de mousse à la fin du lavage.
- Augmentez la quantité si vous habitez dans une région où l'eau est dure ou si les assiettes sont mouillées ou marquées de coulées d'eau après le séchage.
- Pour ajuster le réglage du produit de rinçage : consultez 'Réglages de préférence de l'utilisateur' pour savoir comment procéder.
- Si vous utilisez des pastilles avec produit de rinçage intégré, nous vous recommandons de désactiver l'option de produit de rinçage (R-).



Voyant du produit de rinçage (sur le panneau de commande)

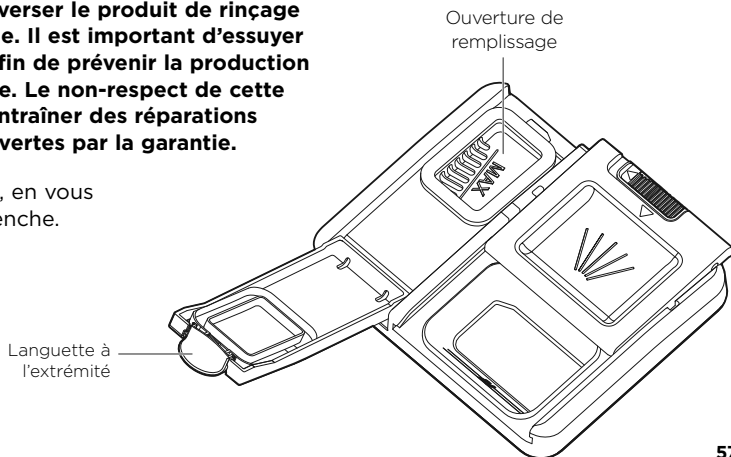
## Comment remplir le distributeur de produit de rinçage

- ① Ouvrez le couvercle du distributeur de produit de rinçage en utilisant la languette à l'extrémité.
- ② Versez le produit de rinçage dans l'ouverture rectangulaire, en vous assurant de ne pas dépasser le repère MAX.

## IMPORTANT!

**Veillez à ne pas renverser le produit de rinçage dans le lave-vaisselle. Il est important d'essuyer tout déversement afin de prévenir la production excessive de mousse. Le non-respect de cette consigne pourrait entraîner des réparations qui ne sont pas couvertes par la garantie.**

- ③ Fermez le couvercle, en vous assurant qu'il s'enclenche.



## APRÈS LE LAVAGE

---

Une fois le programme de lavage terminé, le lave-vaisselle émet six bips, puis il s'éteint automatiquement pendant quelques secondes.

- ① Ouvrez légèrement la porte et laissez-la entrouverte (environ 100 mm) pour favoriser le séchage.
- ② Une fois la vaisselle froide au toucher, vous pouvez la retirer.

### **IMPORTANT!**

**Ne laissez jamais la porte du lave-vaisselle en position entièrement ouverte, car elle pourrait vous faire trébucher.**

- ③ Vérifiez que le distributeur de détergent est complètement vide. Si ce n'est pas le cas, essuyez-le avec un chiffon humide.
- ④ Inspectez régulièrement votre lave-vaisselle pour vérifier s'il nécessite un nettoyage ou un entretien :
  - Vérifiez qu'aucun dépôt graisseux ou calcaire ne s'est accumulé à l'intérieur.
  - Si des particules de nourriture se trouvent dans les filtres, vous devez également les nettoyer.
  - Consultez la section 'Entretien et nettoyage' pour les instructions de nettoyage et d'entretien.

### **Vacances et congés**

Si vous prévoyez de ne pas utiliser le lave-vaisselle pendant un certain temps :

- Assurez-vous que les paniers sont vides.
- Laissez l'intérieur du lave-vaisselle propre.
- Laissez la porte du lave-vaisselle entrouverte pour permettre à l'air de circuler.
- Coupez l'alimentation en eau et en électricité du lave-vaisselle.

### **Préparation pour l'hiver (climats froids uniquement)**

- ① Déconnectez le lave-vaisselle de l'alimentation électrique.
- ② Fermez l'alimentation en eau et déconnectez le tuyau d'alimentation en eau de l'orifice d'entrée d'eau.
- ③ Videz l'eau du tuyau d'alimentation en eau et de l'orifice d'entrée d'eau, en utilisant un seau ou un bac pour recueillir l'eau.
- ④ Reconnectez le tuyau d'alimentation en eau à l'orifice d'entrée d'eau.
- ⑤ Retirez le filtre de vidange et la plaque de filtration dans le bas du lave-vaisselle, puis utilisez une éponge pour enlever toute eau restante dans le drain.
- ⑥ Réinstallez le filtre de vidange et la plaque de filtration, puis asséchez complètement toute l'eau dans le lave-vaisselle.
- ⑦ Déconnectez le tuyau d'évacuation du conduit d'évacuation de l'évier, puis videz complètement toute l'eau restante du tuyau. Raccordez de nouveau le tuyau d'évacuation au conduit d'évacuation de l'évier.

Avec le temps, des résidus d'aliments ou des dépôts calcaires peuvent s'accumuler à l'intérieur de votre lave-vaisselle. Cela peut réduire l'efficacité de l'appareil et les résidus d'aliments peuvent produire une odeur désagréable. Inspectez et nettoyez régulièrement votre lave-vaisselle.

### **IMPORTANT!**

- **Avant de procéder au nettoyage ou à l'entretien, déconnectez toujours le lave-vaisselle de l'alimentation électrique, fermez l'alimentation en eau et attendez que toutes les pièces du lave-vaisselle soient refroidies.**
- **N'utilisez pas les produits de nettoyage suivants, car ils pourraient endommager les surfaces :**
  - tampons à récurer en plastique ou en acier inoxydable
  - nettoyants domestiques abrasifs et solvants
  - nettoyants acides ou alcalins
  - désinfectants ou détergents à lessive
  - produits nettoyants ou à polir pour acier inoxydable
  - liquides pour laver la vaisselle à la main ou savon
- **Lorsque des articles de vaisselle ou des verres se cassent dans le lave-vaisselle, retirez-les avec soin pour éviter de vous blesser ou d'endommager l'appareil.**
- **Après le nettoyage, vérifiez toujours que les bras gicleurs et les filtres sont tous correctement installés.**

### Nettoyage de l'extérieur du lave-vaisselle

- Pour nettoyer les surfaces extérieures du lave-vaisselle, essuyez avec un chiffon propre, doux et humide, puis séchez avec un chiffon propre non pelucheux.
- Pour les surfaces qui ne sont pas planes, essuyez le long de la surface ou autour de celle-ci; par exemple, pour le nettoyage des touches de commande extérieures, effectuez un mouvement d'essuyage circulaire autour des touches.
- Veillez à ne pas causer de mouillage excessif dans la zone du panneau de commande.  
Remarque : avant de nettoyer le panneau de commande, il est utile de désactiver les touches à l'aide de la fonction de verrou des touches.

### Nettoyage du joint de porte et de l'intérieur du lave-vaisselle

Nettoyez soigneusement avec de l'eau tiède sur un chiffon doux non pelucheux.

Si l'intérieur est très sale, utilisez un détartrant/nettoyant pour lave-vaisselle en suivant les instructions du fabricant.

### Nettoyage des filtres

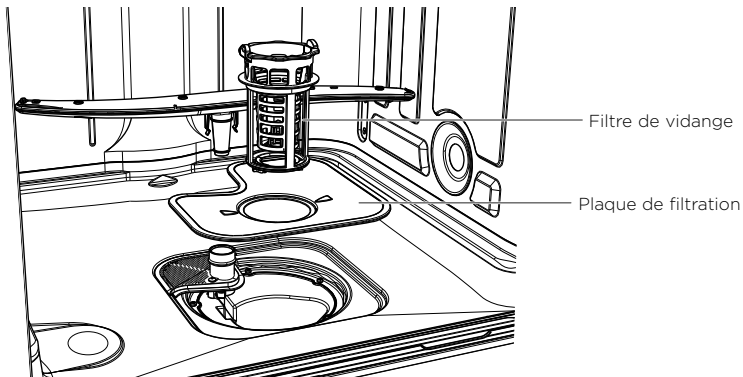
Les filtres empêchent les grandes particules de nourriture dans l'eau de lavage d'atteindre la pompe. Ces particules peuvent occasionnellement bloquer les filtres. Nous vous recommandons de nettoyer les filtres lorsque vous remarquez la présence de particules de nourriture.

- Pour retirer le filtre de vidange, tournez le filtre dans le sens inverse des aiguilles d'une montre pour le déloger, puis soulevez-le.
- Une fois le filtre de vidange retiré, vous pouvez soulever la plaque de filtration pour la sortir.
- Rincez-les bien à l'eau courante, puis réinstallez-les.

### **IMPORTANT!**

**Lors du nettoyage du dessous de la plaque de filtration, manipulez avec précaution son rebord externe tranchant.**

- Réinstallez les filtres correctement après le nettoyage, en vous assurant que la plaque de filtration soit au même niveau que la base du lave-vaisselle.



## Nettoyage des bras gicleurs

Le calcaire et les particules de nourriture dans l'eau de lavage peuvent obstruer les ouvertures dans les bras gicleurs et leur socle. Nettoyez ces pièces environ une fois par mois, ou plus souvent si nécessaire.

### Nettoyage du bras gicleur supérieur/de la tête

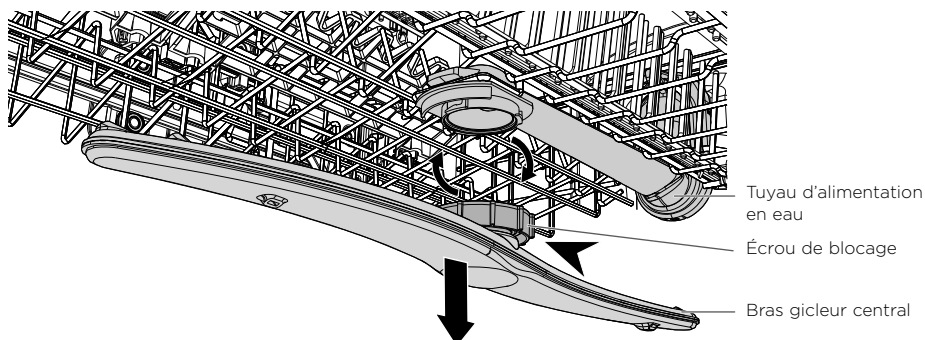
Ne retirez pas le bras gicleur supérieur lors du nettoyage. Nettoyez-le avec une petite brosse en plastique, ou s'il est très sale ou obstrué, utilisez un détartrant/nettoyant pour lave-vaisselle en suivant les instructions du fabricant.

### Nettoyage du bras gicleur central

- Pour retirer le bras gicleur central, dévissez avec soin l'écrou de blocage.
- Rincez bien le bras gicleur à l'eau courante, puis réinstallez-le.

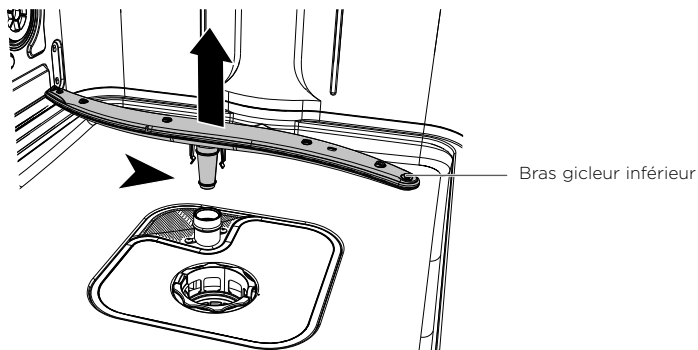
## IMPORTANT!

- **Assurez-vous de bien tourner l'écrou de blocage sur le bras gicleur central pour le réinstaller fermement sur le tuyau d'alimentation en eau.**
- **Vérifiez que le bras gicleur central est bien verrouillé en place et qu'il tourne librement.**



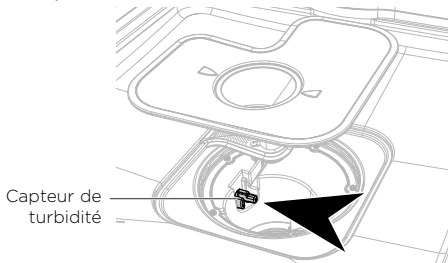
### Nettoyage du bras gicleur inférieur

- Pour retirer le bras gicleur inférieur, soulevez-le simplement hors de son socle.
- Rincez bien le bras gicleur à l'eau courante, puis réinstallez-le sur son socle.



## CODES D'ERREUR

Si le lave-vaisselle ne fonctionne pas correctement, il affichera un code d'erreur et émettra un bip. Consultez le tableau suivant pour tenter de résoudre le problème.

CODES D'ERREUR ET DESCRIPTIONS	CAUSES POSSIBLES	SOLUTION
<b>R20</b> Défaillance de l'évacuation	Le tuyau d'évacuation est entortillé ou courbé.	Vérifiez le tuyau d'évacuation et redressez-le si nécessaire.
	L'eau usée n'est pas évacuée.	Assurez-vous que le tuyau d'évacuation soit raccordé conformément aux instructions d'installation.
	Le capteur de turbidité est sale et nécessite un nettoyage.	Nettoyez délicatement le capteur de turbidité avec une brosse douce (par ex. : une brosse à dents) pour éliminer toute accumulation.
		
<b>R10</b> Aucune eau	L'alimentation en eau n'est pas ouverte.	Assurez-vous que la conduite d'alimentation en eau est raccordée et ouverte. Touchez à ► pour redémarrer le lave-vaisselle.
	Pression insuffisante de l'alimentation en eau.	Vérifiez la pression d'eau domestique.
	Le tuyau d'alimentation en eau est entortillé ou courbé; par conséquent, la quantité d'eau acheminée au lave-vaisselle est insuffisante.	Vérifiez le tuyau d'alimentation en eau et redressez-le si nécessaire. Touchez à ► pour redémarrer le lave-vaisselle.
	Le tuyau d'évacuation n'est pas raccordé correctement.	Assurez-vous que le tuyau d'évacuation soit raccordé conformément aux instructions d'installation.



CODES D'ERREUR ET DESCRIPTIONS	CAUSES POSSIBLES	SOLUTION
<b>F30</b> Inondation	Commutateur d'inondation activé.	Mettez en ARRÊT le lave-vaisselle, puis remettez-le en MARCHE. Si le problème persiste, coupez l'alimentation en eau et déconnectez le lave-vaisselle de l'alimentation électrique. Appelez l'assistance à la clientèle.
<b>F40</b>	Erreur de débit d'eau.	Mettez en ARRÊT le lave-vaisselle, puis remettez-le en MARCHE. Si le problème persiste, appelez l'assistance à la clientèle.
<b>F50</b>	Erreur de circuit électronique.	Mettez en ARRÊT le lave-vaisselle, puis remettez-le en MARCHE. Si le problème persiste, appelez l'assistance à la clientèle.
<b>A60</b>	Erreur de température d'eau.	Mettez en ARRÊT le lave-vaisselle, puis remettez-le en MARCHE. Si le problème persiste, appelez l'assistance à la clientèle.
<b>A70</b> Détection de température	Erreur d'alarme	Mettez en ARRÊT, puis remettez en MARCHE. Si le problème persiste, appelez l'assistance à la clientèle.
<b>A80</b> Détection de turbidité	Erreur d'alarme	Mettez en ARRÊT, puis remettez en MARCHE. Si le problème persiste, appelez l'assistance à la clientèle.
<b>F90</b> (DW24U6I uniquement)	Erreur de données/circuit électronique.	Mettez en ARRÊT le lave-vaisselle, puis remettez-le en MARCHE. Si le problème persiste, appelez l'assistance à la clientèle.
<b>FAD</b>	Erreur de circuit électronique/d'alimentation électrique.	Mettez en ARRÊT le lave-vaisselle, puis remettez-le en MARCHE. Si le problème persiste, appelez l'assistance à la clientèle.
<b>FC0</b> (DW24U6I uniquement)	Défaillance du moteur.	Mettez en ARRÊT le lave-vaisselle à l'alimentation électrique. Attendez quelques instants, puis remettez-le en MARCHE. Si le problème persiste, coupez l'alimentation en eau et déconnectez l'appareil de l'alimentation électrique. Appelez l'assistance à la clientèle.

**Si le lave-vaisselle ne fonctionne toujours pas ou s'il affiche un code d'erreur qui n'est pas indiqué dans cette section**

- ① Touchez ► deux fois pour effacer le code d'erreur.
- ② Touchez de nouveau de manière prolongée à ► pour éteindre le lave-vaisselle et attendez quelques minutes.
- ③ Ouvrez la porte pour remettre en marche le lave-vaisselle.

Si le lave-vaisselle ne fonctionne toujours pas et/ou si le problème persiste, déconnectez le lave-vaisselle de l'alimentation électrique, fermez l'alimentation en eau, puis contactez le service à la clientèle de Fisher & Paykel pour fournir les informations du code d'erreur.

## DÉPANNAGE

<b>PROBLÈME</b>	<b>CAUSE POSSIBLE</b>	<b>SOLUTION</b>
<b>Le lave-vaisselle ne démarre pas</b>	Absence d'alimentation.	Assurez-vous que le lave-vaisselle est branché et que l'alimentation électrique est activée à la prise de courant.
	La porte n'est pas fermée correctement.	Fermez la porte.
	L'alimentation en eau n'est pas ouverte.	Assurez-vous que la conduite d'alimentation en eau est raccordée et ouverte.
	Crépine obstruée dans le tuyau d'alimentation en eau.	Vérifiez la crépine et nettoyez-la si nécessaire — elle se trouve à l'endroit où le tuyau d'alimentation en eau est vissé au robinet.
<b>Le bras gicleur inférieur tourne avec difficulté</b>	Les ouvertures du bras gicleur sont obstruées par de petits articles ou des particules de nourriture.	Nettoyez le bras gicleur. Voir 'Entretien et nettoyage' pour les instructions.
<b>Le couvercle du distributeur de détergent ne peut pas se fermer</b>	Le compartiment de détergent est rempli de façon excessive.	Enlevez du détergent afin de pouvoir fermer le couvercle.
	Le distributeur de détergent est bouché par des restes de détergent.	Essuyez le distributeur avec un chiffon humide. Asséchez le distributeur avant d'ajouter du détergent.
<b>Restes de détergent coincés à l'intérieur du distributeur</b>	Le compartiment était humide lors du remplissage de détergent.	Essuyez le distributeur avec un chiffon humide. Asséchez le distributeur avant d'ajouter du détergent.
	Des ustensiles empêchent l'ouverture du distributeur de détergent.	Assurez-vous de ne pas positionner les grands ustensiles d'une manière qui pourrait empêcher l'ouverture du couvercle de distributeur lorsque la porte du lave-vaisselle est fermée.

PROBLÈME	CAUSE POSSIBLE	SOLUTION
<b>Eau demeurant à l'intérieur du lave-vaisselle à la fin du lavage</b>	Le tuyau d'évacuation est entortillé, courbé ou obstrué.	Vérifiez le tuyau d'évacuation et redressez-le si nécessaire.
	La pompe est bloquée.	Appelez un centre de service autorisé Fisher & Paykel ou le service à la clientèle.
	Filtre(s) obstrué(s).	Nettoyez le(s) filtre(s). Voir 'Entretien et nettoyage' pour les instructions.
<b>Formation de mousse</b>	Utilisation d'une quantité ou d'un type de détergent incorrect.	Consultez la section 'Ajout de détergent' ou les instructions du fabricant du détergent.
	Il y a trop de particules d'œufs dans la charge de lavage.	Augmentez la quantité de détergent.
	Le réglage de quantité du produit de rinçage est trop élevé.	Réduisez la quantité du produit de rinçage.
	Déversements de produit de rinçage n'ayant pas été essuyés.	Assurez-vous d'essuyer tous les déversements de produit de rinçage lorsqu'ils se produisent.
<b>L'afficheur indique la lettre F, L, P, C ou S</b>	Le lave-vaisselle est en mode Technicien.	Touchez de manière prolongée à ► pour quitter. Si le lave-vaisselle demeure en mode Technicien, appelez le service à la clientèle.
<b>Le lave-vaisselle s'arrête soudainement pendant le lavage</b>	L'alimentation électrique ou l'alimentation en eau est interrompue.	Vérifiez l'alimentation électrique et l'alimentation en eau.
<b>Bruit de cognement ou cliquetis pendant le lavage</b>	Le bras gicleur percute la vaisselle.	Mettez en pause le lavage et redispensez la vaisselle. Consultez les sections 'Commandes et démarrage d'un lavage' et 'Chargement'.
	La vaisselle n'est pas placée correctement.	

## DÉPANNAGE

PROBLÈME	CAUSE POSSIBLE	SOLUTION
<b>Vaisselle sale</b>	Le programme de lavage ne convient pas à la vaisselle chargée.	Consultez la section 'Programmes de lavage et quantités de détergent' et sélectionnez un programme adéquat.
	Des saletés tenaces sont incrustées.	Il peut être nécessaire de faire tremper la vaisselle.
	Le(s) bras gicleur(s) ne tourne(nt) pas.	Assurez-vous qu'aucun article ne bloque la trajectoire du bras gicleur.
	Le lave-vaisselle est chargé de manière excessive ou incorrecte.	Consultez la section 'Chargement'.
	Les filtres sont incorrectement insérés.	Consultez la section 'Entretien et nettoyage'.
	Le détergent se trouve dans le mauvais compartiment.	Consultez les sections 'Programmes de lavage et quantités de détergent' et 'Ajout de détergent'.
	Quantité de nourriture excessive demeurant sur la vaisselle avant le chargement.	Délogez tous les morceaux de nourriture avant de charger la vaisselle.
	Le détergent est inadéquat.	Utilisez uniquement un détergent en poudre ou en pastille conçu pour un lave-vaisselle domestique.
	La quantité de détergent est insuffisante.	Voir 'Programmes de lavage et quantités de détergent' pour les quantités recommandées. Vous pourriez avoir à apporter des ajustements en fonction de la vaisselle chargée et de la dureté de l'eau.
	Les ouvertures du bras gicleur sont bloquées.	Nettoyez le(s) bras gicleur(s). Voir 'Entretien et nettoyage' pour les instructions.
Les filtres sont obstrués.	Nettoyez les filtres. Voir 'Entretien et nettoyage' pour les instructions.	
<b>Des articles en plastique sont décolorés (par ex. : taches laissées par de la sauce tomate)</b>	Quantité insuffisante de détergent, aucun prérinçage.	Rincez les articles en plastique avant de les placer dans le lave-vaisselle et/ou ajoutez plus de détergent. Vous pouvez également utiliser le programme de rinçage après l'ajout de la vaisselle pour réduire les taches.

PROBLÈME	CAUSE POSSIBLE	SOLUTION
<b>Taches blanches demeurant sur la vaisselle; verres ayant un aspect laiteux</b>	La quantité de détergent est insuffisante.	Consultez la section 'Programmes de lavage et quantités de détergent' pour les quantités recommandées. Vous pourriez avoir à apporter des ajustements en fonction de la dureté de l'eau.
	Le réglage de quantité du produit de rinçage est trop bas.	Augmentez la quantité du produit de rinçage. Voir 'Utilisation d'un produit de rinçage'.
<b>La vaisselle et les ustensiles n'ont pas séché</b>	Le réglage de quantité du produit de rinçage est trop bas.	Augmentez la quantité du produit de rinçage. Voir 'Utilisation d'un produit de rinçage'.
	Les articles sont retirés trop rapidement.	À la fin du programme de lavage, laissez la porte entrouverte et attendez plusieurs minutes pour favoriser le séchage.
	Le distributeur de produit de rinçage est vide. (Les voyants de produit de rinçage s'allument.)	Ajoutez du produit de rinçage. Consultez la section 'Utilisation d'un produit de rinçage' pour les instructions.
<b>Les verres ont un aspect terni</b>	Le réglage de quantité du produit de rinçage est trop bas.	Augmentez la quantité du produit de rinçage. Voir 'Utilisation d'un produit de rinçage'.
<b>Les taches de thé ou les marques de rouge à lèvres ne disparaissent pas complètement</b>	La quantité de détergent est insuffisante.	Consultez la section 'Programmes de lavage et quantités de détergent' pour les quantités recommandées. Vous pourriez avoir à apporter des ajustements en fonction de la vaisselle chargée.
	La température de lavage est trop basse.	Sélectionnez un programme de lavage avec une température plus élevée. Consultez la section 'Données de programme de lavage' pour des informations.
<b>Traces de rouille sur la coutellerie</b>	La coutellerie n'est pas suffisamment résistante à la rouille	Lavez à la main.

## DÉPANNAGE

<b>PROBLÈME</b>	<b>CAUSE POSSIBLE</b>	<b>SOLUTION</b>
<b>Verres obscurcis et décolorés; revêtement laiteux</b>	Utilisation d'une eau dure.	Augmentez les quantités de détergent.
	Les verres ne sont pas lavables au lave-vaisselle.	Lavez à la main.
<b>Marques d'eau sur les verres et les ustensiles</b>	Le niveau de produit de rinçage ou le réglage de quantité est trop bas.	Assurez-vous qu'il y ait du produit de rinçage dans le distributeur. Si nécessaire, augmentez le réglage du produit de rinçage ou essayez d'utiliser un programme de lavage avec une température plus élevée. Consultez les sections 'Utilisation d'un produit de rinçage' et 'Données de programme de lavage'.
<b>Eau dure</b>		Augmentez le réglage du produit de rinçage et la quantité de détergent. Consultez la section 'Dureté de l'eau et lavage de la vaisselle'. Si vous habitez dans une région où l'eau est très dure, consultez un plombier au sujet de l'installation d'un adoucisseur d'eau domestique.

**DW24U2I1**

	<b>AUTO</b>	<b>MEDIUM (MOYEN)</b>	<b>ECO*</b>	<b>FAST (RAPIDE)</b>	<b>HEAVY (INTENSIF)</b>	<b>DELICATE (DÉLICAT)</b>	<b>RINSE (RINÇAGE)</b>
<b>Étapes</b>	prélavage	prélavage			prélavage		prélavage 113 °F
	lavage principal 113-154 °F	lavage principal 140 °F	lavage principal 111 °F	lavage principal 113 °F	lavage principal 154 °F	lavage principal 113 °F	
	post-rinçage	post-rinçage	post-rinçage	post-rinçage	post-rinçage	post-rinçage	
	rinçage final 158 °F	rinçage final 158 °F	rinçage final 124 °F	rinçage final 131 °F	rinçage final 158 °F	rinçage final 131 °F	
	séchage	séchage	séchage	séchage	séchage	séchage	

**DW24U6I1**

	<b>AUTO</b>	<b>MEDIUM (MOYEN)</b>	<b>ECO*</b>	<b>FAST (RAPIDE)</b>	<b>HEAVY (INTENSIF)</b>	<b>DELICATE (DÉLICAT)</b>	<b>RINSE (RINÇAGE)</b>
<b>Étapes</b>	prélavage	prélavage			prélavage		rinçage 113 °F
	lavage principal 113-154 °F	lavage principal 140 °F	lavage principal 111 °F	lavage principal 113 °F	lavage principal 154 °F	lavage principal 113 °F	
	post-rinçage	post-rinçage	post-rinçage	post-rinçage	post-rinçage	post-rinçage	
	rinçage final 158 °F	rinçage final 158 °F	lavage principal 124 °F	rinçage final 122 °F	rinçage final 158 °F	rinçage final 122 °F	
	séchage	séchage	séchage	séchage	séchage	séchage	

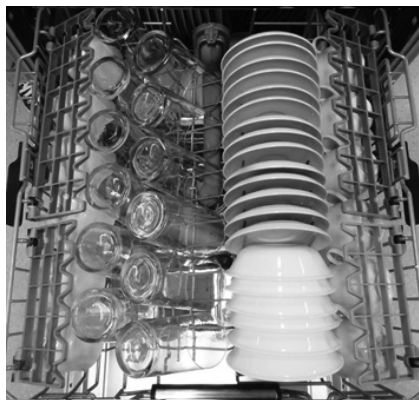
\* Programme de référence pour l'étiquette énergétique en conformité avec les réglementations 10 CFR partie 430 et CAN/CSA-C373. L'eau entrante doit être à 120 °F.

# CHARGEMENT DU LAVE-VAISSELLE

---

## Exemples de chargement

Chargement pour 14 couverts standard avec plateau à ustensiles



Panier central



Lower basket



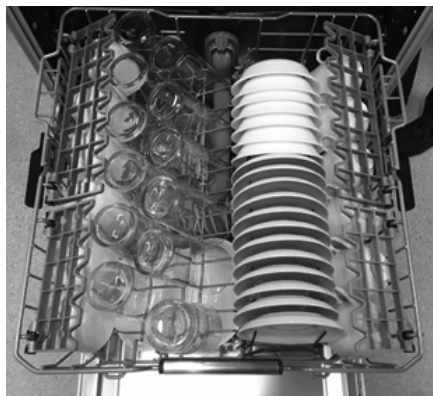
Plateau à ustensiles



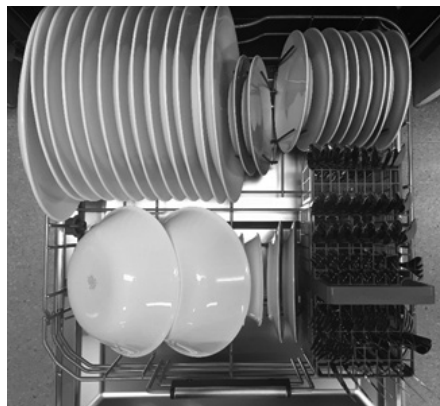
# CHARGEMENT DU LAVE-VAISSELLE

## Exemples de chargement

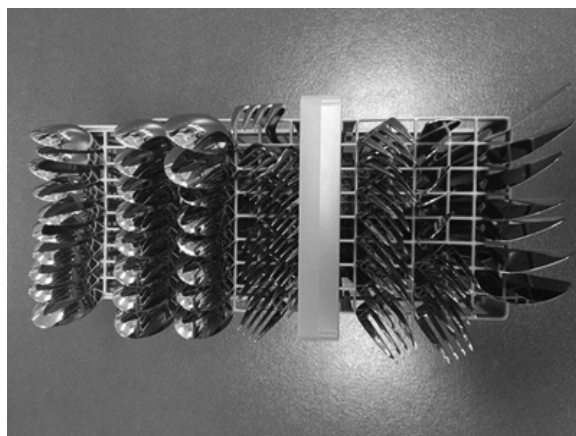
Chargement pour 12 couverts standard avec panier à ustensiles.



Panier central



Lower basket



Panier à ustensiles

## GARANTIE ET SERVICE

---

### **Avant d'effectuer un appel de service ou une demande d'assistance :**

Vérifiez les points que vous pouvez contrôler vous-même. Consultez le Guide d'installation et le Guide d'utilisation pour vous assurer que :

- ① Votre produit est installé correctement.
- ② Vous êtes familier avec son fonctionnement normal.

Si après la vérification de ces points, vous avez toujours besoin d'assistance ou de pièces, reportez-vous au manuel d'entretien et de garantie pour obtenir des informations sur la garantie et les coordonnées d'un centre de service autorisé ou de l'assistance à la clientèle, ou contactez-nous par l'entremise de notre site Web [www.fisherpaykel.com](http://www.fisherpaykel.com).

Remplir et conserver pour référence ultérieure :

Modèle	_____
N° de série	_____
Date d'achat	_____
Acheteur	_____
Détaillant	_____
Banlieue	_____
Ville	_____
Pays	_____



## **FISHERPAYKEL.COM**

© Fisher & Paykel Appliances 2019. All rights reserved.

The product specifications in this booklet apply to the specific products and models described at the date of issue. Under our policy of continuous product improvement, these specifications may change at any time. You should therefore check with your Dealer to ensure this booklet correctly describes the product currently available.

© Fisher & Paykel Appliances 2019. Tous droits réservés.

Les caractéristiques de produit présentées dans ce livret s'appliquent aux modèles et produits spécifiques qui y sont décrits à la date de publication. Dans le cadre de notre politique d'amélioration en permanence de nos produits, ces caractéristiques peuvent être modifiées à tout moment. Nous vous recommandons de vérifier auprès de votre détaillant que ce livret décrit le produit actuellement disponible.

**US CA**

**591917A 5.19**