

FISHER & PAYKEL

DOUBLE DISHDRAWER™ DISHWASHER

INTEGRATED

DD24DTX6I, DD24DTX6HI

INSTALLATION GUIDE

US CA

⚠ WARNING!

Electric Shock Hazard

Failure to follow this advice may result in electrical shock or death.

- Fitting an integrated panel requires access to electrical service areas. This must be performed by a Fisher & Paykel trained and supported service technician or qualified person.
- Before fitting the front panel, the dishwasher must be disconnected from the power supply.
- After installing the front panel, the installer must ensure that the following components are electrically earthed: the panel bracket and any custom metal component (e.g. handle) that extends past the rubber seal.
- This appliance must be earthed. In the event of a malfunction or breakdown, earthing will reduce the risk of electric shock by providing a path of least resistance for electric current. This appliance is equipped with a cord having an equipment-earthing conductor and an earthing plug.
- Before installing the DishDrawer™ Dishwasher, remove the house fuse or open the circuit breaker.
- The plug must be plugged into an appropriate outlet that is installed and earthed in accordance with all local codes and ordinances.
- Do not modify the power supply plug provided with the appliance – if it will not fit the outlet, have a proper outlet installed by a qualified electrician. Do not use an extension cord, adapter plug or multiple outlet box.
- The dishwasher must be completely enclosed at the time of installation.



⚠ WARNING!

Electric Shock Hazard

Failure to follow this advice may result in electrical shock or death.

- **WARNING** - Improper connection of the equipment-earthing conductor can result in a risk of electric shock. Check with a qualified electrician or service representative if you are in doubt as to whether the appliance is properly earthed.



⚠ WARNING!

Cut Hazard

Failure to use caution could result in injury.

- Take care - panel edges are sharp.



⚠ WARNING!

Tip Hazard

Failure to follow this advice may result in injury or product damage.

- Take care when removing product from packaging.
- If drawers are pulled open while product is not secured to cabinetry, product may tip.



WARNING!

To reduce the risk of fire, injury to persons or damage when using the appliance, follow the important safety instructions listed below. Read all the guidance before using the appliance.

Servicing

- Do not repair or replace any part of the appliance unless specifically recommended in this guide. All other servicing should be undertaken by a Fisher & Paykel trained and supported service technician or qualified person.

Installation

- Installation of this DishDrawer™ Dishwasher requires basic mechanical and electrical skills.
- Installation must comply with your local building and electricity regulations.
- Remove all packaging materials supplied with the dishwasher.
- Be sure to leave these Instructions with the Customer.
- At the completion of the installation, the Installer must perform the Final Checklist.
- This dishwasher is manufactured for indoor use only.
- Ensure all water connections are turned OFF. It is the responsibility of the plumber and electrician to ensure that each installation complies with all Codes and Regulations.
- The DishDrawer™ Dishwasher MUST be installed to allow for future removal from the enclosure if service is required.
- The switched power outlet must be outside the dishwasher cavity, so that it is accessible after installation.
- Care should be taken when the appliance is installed or removed to reduce the likelihood of damage to the power supply cord and hoses.
- If the DishDrawer™ Dishwasher is relocated from one installation site to another it must be kept upright to avoid damage from water spillage.
- Ensure only supplied hoses are used for connection. Old hoses should not be reused.
- Failure to install correctly could invalidate any warranty or liability claims.
- If the product is installed in a motor vehicle, boat or similar mobile facility, you must bring the vehicle, boat or mobile facility containing the product to the service shop at your expense or pay the service technician's travel to the location of the product.

SAVE THESE INSTRUCTIONS

The models shown in this installation guide may not be available in all markets and are subject to change at any time. For current details about model and specification availability in your country, please go to our website www.fisherpaykel.com or contact your local Fisher & Paykel dealer.

TOOLS AND COMPONENTS

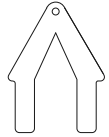
PARTS SUPPLIED

- Keep all packing materials until the unit has been inspected.
- Inspect the product to ensure there is no shipping damage. If any damage is detected contact the dealer or retailer you bought the product from to report the damage.
- Fisher & Paykel is not responsible for shipping damage.

Supplied



Side mounting bracket kits (2)*



Top mounting bracket kit (1)*



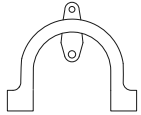
Moisture protection tape (1)



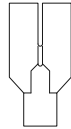
5/8" (16mm) Phillips screws (32)



Inlet hose rubber washer (1)**



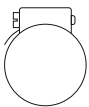
Drain hose support (1)



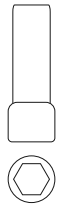
Drain hose joiner (1)



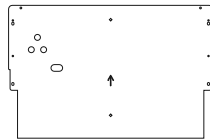
Wire clip (2)



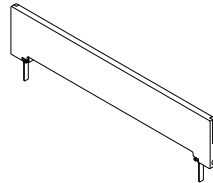
Clamp (1)



Hex socket (2)



Panel bracket kits (2)**



Recessed pre-finished toe kick (1)

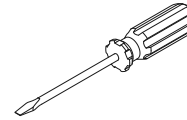


sound seal insulation

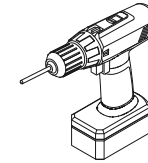
*Optional | **Comes fitted to the product

TOOLS REQUIRED

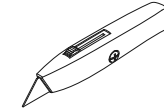
Not supplied



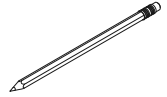
Flat-blade screwdriver



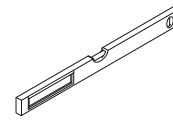
Powered driver



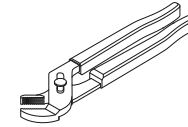
Box cutter



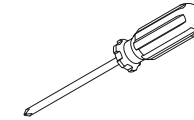
Pencil



Level



Pliers



Phillips screwdriver

INSTALL VIDEO

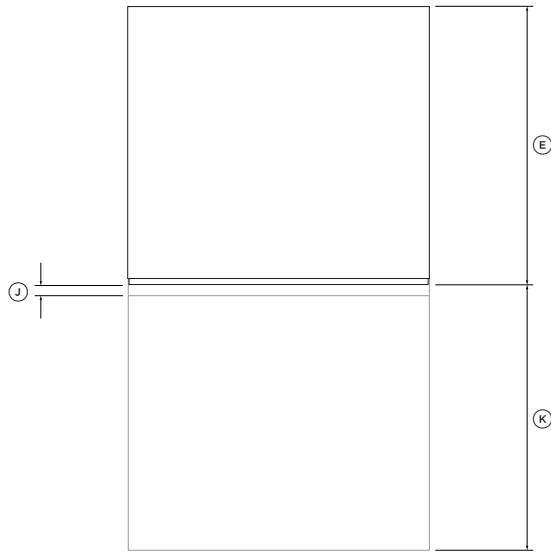
This video provides an overview of what is needed to install a DishDrawer™ Dishwasher. It is intended as an overview only of the installation process and is not intended to be used as a standalone guide on how to install a DishDrawer™ Dishwasher yourself. Installation should be undertaken by a Fisher & Paykel trained and supported service technician or qualified person.



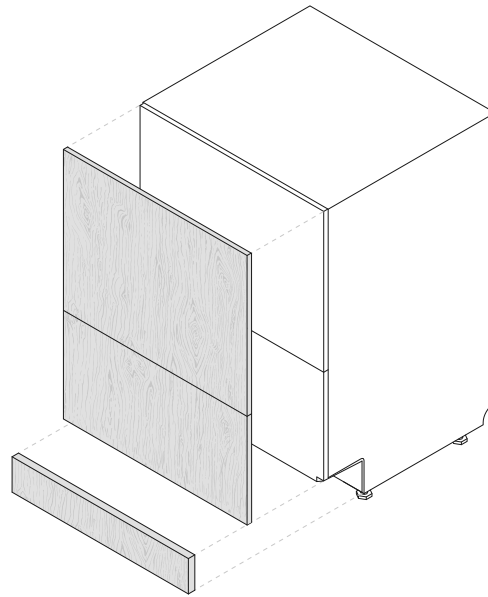
To access installation videos

Scan the QR code with your smartphone or watch online at:
fisherpaykel.com/dishdrawer-install

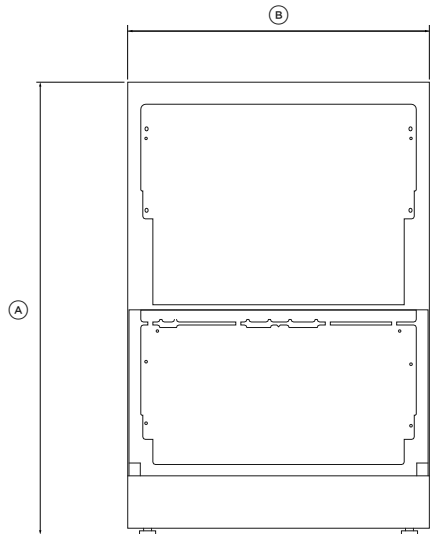
PRODUCT DIMENSIONS



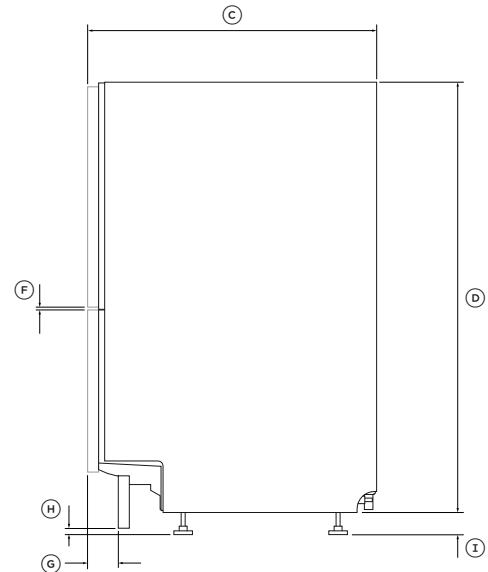
PLAN



ISOMETRIC



FRONT



PROFILE

PRODUCT DIMENSIONS	INCHES	MM
Ⓐ Overall height*	34 - 36 3/8	864 - 924
Ⓑ Overall width**	23 9/16	599
Ⓒ Overall depth***	22 1/2	571
Ⓓ Height of chassis	33 11/16	855
Ⓔ Depth of chassis	21 3/4	553
Ⓕ Ventilation gap between door panels	5/16	8
Ⓖ Depth of toe kick recess**		
Custom panel installation	1 9/16 - 3 15/16	40 - 100
Pre-finished panel installation	2 5/16 - 4 5/8	58 - 118
Ⓗ Minimum clearance between toe kick panel and floor	1/2	12
Ⓘ Height of feet*	3/8 - 2 3/4	10 - 70
Ⓙ Door panel depth****	5/8 - 13/16	16 - 20
Ⓚ Depth of drawer opening**	20 3/4	527

*depending on adjustment of levelling feet

**excluding custom panel and handle

***based on front panel thickness of 11/16" (18mm)

****refer to 'Custom panel dimensions' for more information

Actual product dimensions may vary by ± 1/16" (2mm)

CUSTOM PANEL DIMENSIONS

Material specifications

- Maximum weight of door panels must not exceed 20lb (9kg) (including handle)
- The panel should be adequately sealed to withstand moisture (122°F/50°C @ 80% RH). The back and sides of the panel should be completely sealed with a waterproof vapour barrier, such as polyurethane, to prevent damage.
- The back of the panel should be completely flush so that the seal between the panel and the rubber trim is maintained.
- Installation outside these specifications may result in condensation on cabinetry surfaces.

Toe kick

- A minimum distance of 1/2" (12mm) between the floor and the base of the toe kick must be maintained at all times.
- Depending on the desired toe kick recess depth, the custom toe kick panel will need to be aligned to different positions on the toe kick template to clear the underside of the tub.
- Toe kick panel height can be determined by using the below:

1 9/16" (40mm) recess installations:

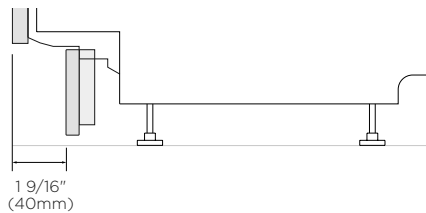
cavity height	-	upper panel extension	-	30 13/16" (783mm)	-	floor clearance	=	toe kick height
	-		-		-		=	

1 9/16 - 3 15/16" (40 - 100mm) recess installations:

cavity height	-	upper panel extension	-	31 9/16" (801mm)	-	floor clearance	=	toe kick height
	-		-		-		=	

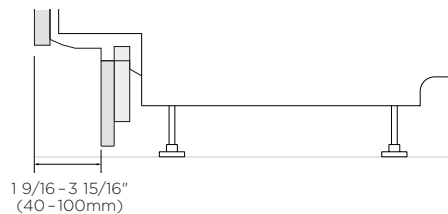
Recess of 1 9/16" (40mm)*

Align to template as shown

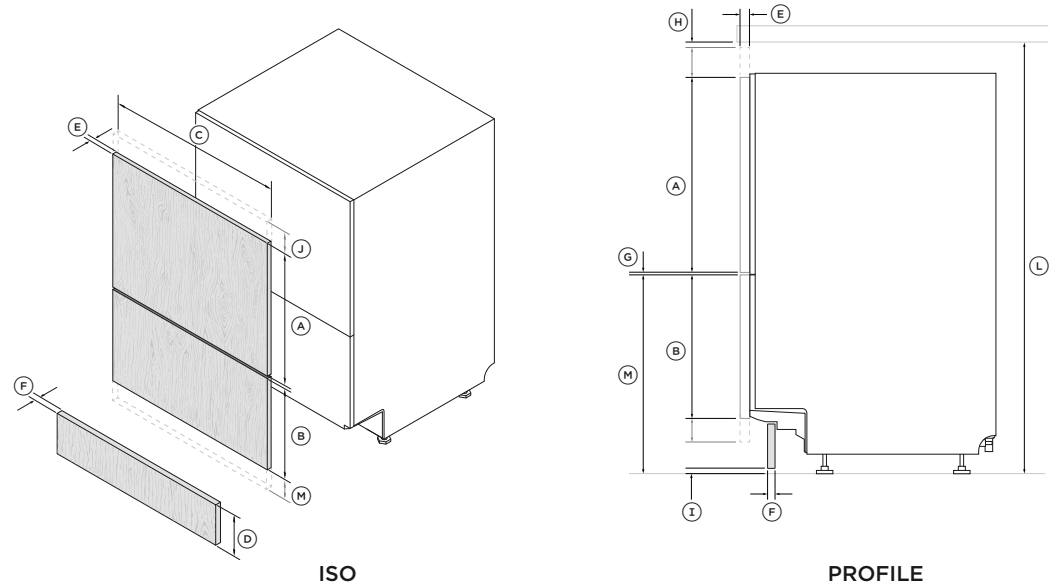


Recess of 1 9/16 - 3 15/16" (40mm - 100mm)*

Align to template as shown



*based on a door panel depth of 1 1/16" (18mm)



CUSTOM PANEL CONSIDERATIONS	INCHES	MM
(A) Minimum upper door panel height*	17 3/8	442
(B) Minimum lower door panel height*	12 1/4	311
(C) Minimum door panel width	23 7/16	596
(D) Toe kick panel height*	1 3/4 - 4 13/16	45 - 123
(E) Door panel depth	5/8 - 13/16	16 - 20
(F) Minimum toe kick panel depth**	3/8	9
(G) Minimum clearance between door panels	5/16	8
(H) Minimum clearance between top of door panel and countertop	1/16	2
(I) Minimum clearance between toe kick panel and floor	1/2	12
(J) Maximum extension of upper panel	-	-
(K) Maximum extension of lower panel	2	50
(L) Minimum inside cavity height	34	864
(M) Minimum height from floor to top of bottom drawer panel***	16 5/16	414
Maximum weight of each drawer panel (including handle)		9kg

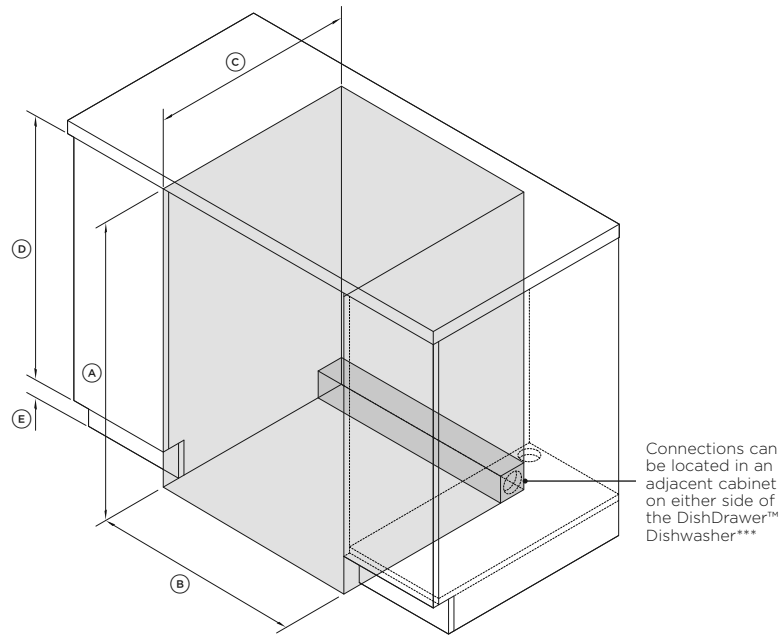
*the top door panel may be extended up, or the bottom panel down from the fixed gap. Toe kick panel should be adjusted accordingly.

**if using supplied toe kick mounting screws. Panel can be fixed via screwing or gluing to the supplied mounting bracket.

***depending on adjustment of levelling feet

CABINERY

DIMENSIONS



ISOMETRIC

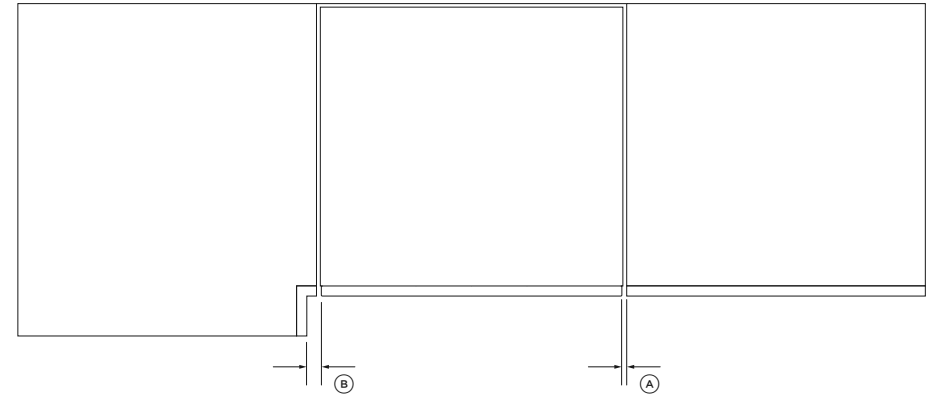
CABINERY DIMENSIONS	INCHES	MM
Ⓐ Minimum inside height*	34	864
Ⓑ Inside width	23 5/8	600
Ⓒ Minimum inside depth**	22 3/4	578
Ⓓ Recommended height of adjacent cabinetry	30	762
Ⓔ Height of toe kick area***	3 15/16 - 6 5/16	100 - 160

*depending on adjustment of levelling feet

**including 11/16" (18mm) door panels on adjacent cabinetry

***For more information on service requirements, refer to 'Plumbing & electrical connection' and 'Preparation'.

CLEARANCES



PLAN

CABINERY CLEARANCES	INCHES	MM
Ⓐ Minimum clearance to adjacent cupboard door	1/16	2
Ⓑ Minimum clearance to corner cupboard	1/2	13

*Access to both sides of the product will be required during installation. If access is not possible, the tubs may need to be removed for door installation and adjustments. Refer to page 15 for guidance on drawer removal.

PLUMBING & ELECTRICAL CONSIDERATIONS

Hose and cord lengths

- Your services can be installed to either the left-hand or right-hand side of the product in an adjacent cabinet. Refer to 'Preparation' for service access requirements.
- If the drain hoses supplied are not long enough to reach your services, you may purchase a Fisher & Paykel drain hose extension kit which will extend the drain hoses by 12' (3.6m) (part number 525798).

Water connection

- Recommended water temperature: Hot (Maximum 140°F/60°C).
- Supplied hose to suit 3/8" (9 mm) male compression fitting.
- Ensure water connection complies with local plumbing regulations.

Water pressure

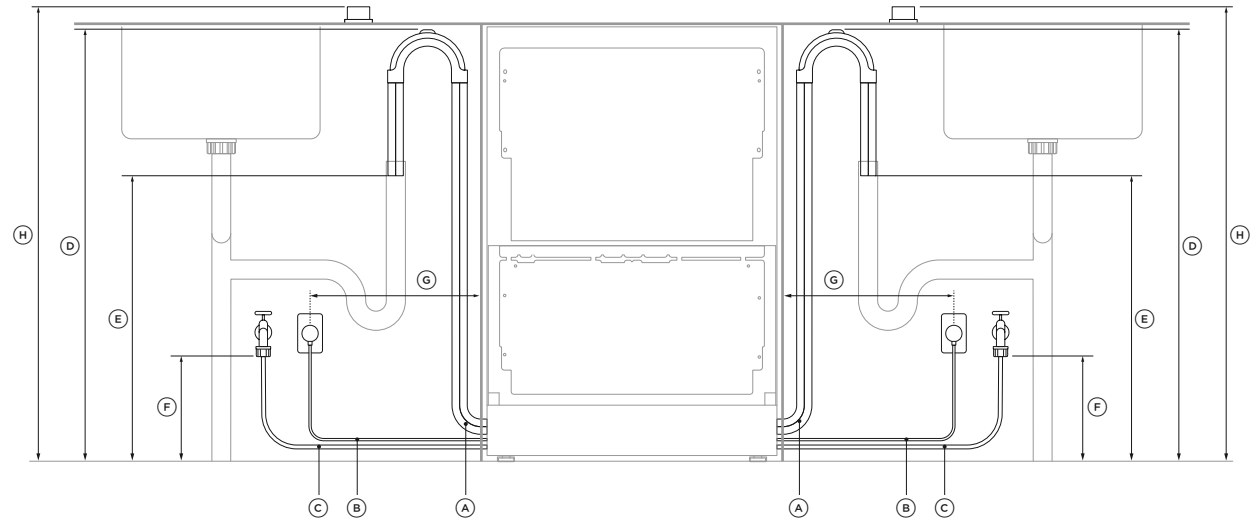
- Water softener models: max. 1 MPa (145 psi), min. 0.1 MPa (14.5 psi)
- Non-water softener models: max. 1 MPa (145 psi), min. 0.03 MPa (4.3 psi)

Electrical requirements

- 120V, 60 Hz, 15A

Kosher requirements

- Drains will need to be separated to satisfy kosher requirements.
- We recommend confirming the acceptability with your local rabbi in respect to kosher installations.



SERVICE DIMENSION	LEFT SIDE*		RIGHT SIDE*	
	INCHES	MM	INCHES	MM
Ⓐ Length of drain hoses	78 1/2	2000	70 1/2	1700
Ⓑ Length of power cord**	29 1/2	750	27 1/2	700
Ⓒ Length of inlet hose	64 3/4	1650	49	1250
Ⓓ Minimum distance from floor to top of hose support	29 1/2	750	29 1/2	750
Ⓔ Minimum distance from floor to end of drain hoses***	19 11/16	500	19 11/16	500
Ⓕ Minimum distance from floor to inlet hose connection	7 7/8	200	7 7/8	200
Ⓖ Maximum distance from cabinetry centre of electrical outlet	17 11/16	450	17 11/16	450
Ⓗ Maximum distance from floor to top of Air Break	37 3/8	950	37 3/8	950

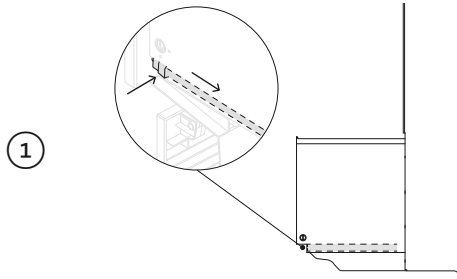
*dimensions taken from the chassis edge where applicable

**excluding plug

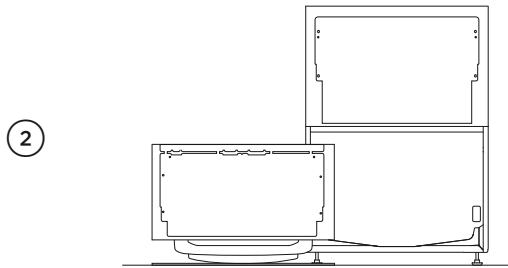
***standpipe install illustrated. Distance is the same for sink trap installations.

HARD-WIRING (OPTIONAL)

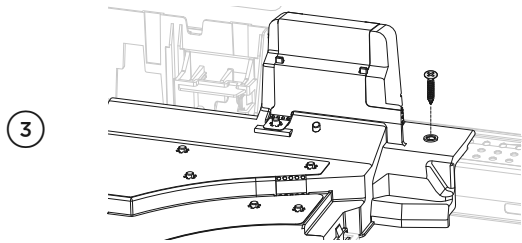
You have the option to hard-wire your DishDrawer™ Dishwasher. To do this, we recommend to remove the supplied power cord and do the hardwiring installation as close to the cavity as possible.



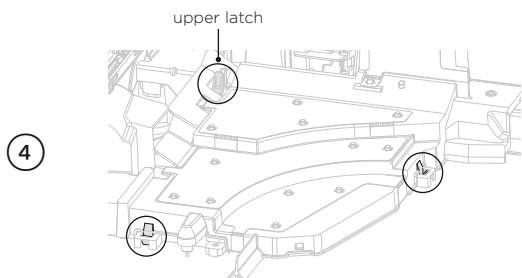
- ① Open the lower drawer and press both locking tabs back to release.



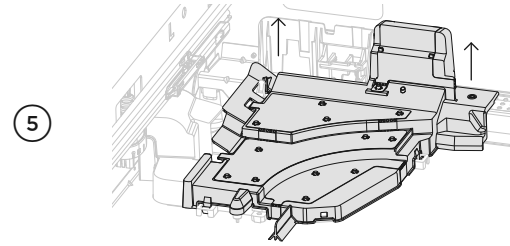
- ② Lift the drawer off the runners and carefully set aside on a protected surface. Push runners back in. Take care not to pull drawer out too far to prevent any strain on the hoses. Where possible, protect the base of the tub to prevent damage.



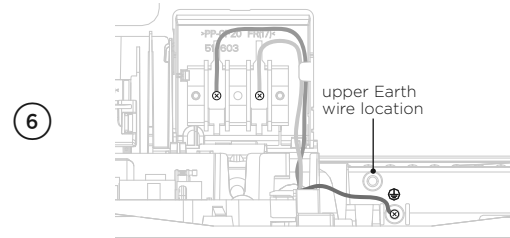
- ③ Remove the screw securing the cover. Set aside.



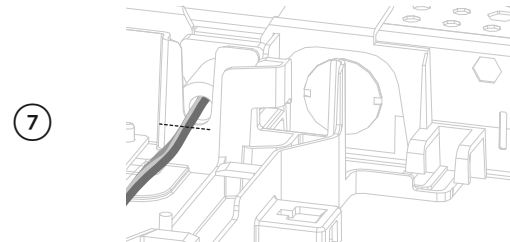
- ④ Push the upper latch back to unlock using your hand. Release the remaining locking clips using a flat-bladed screwdriver.



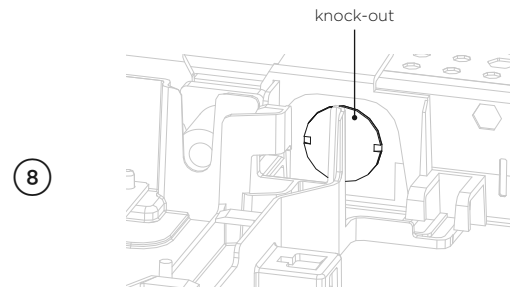
- ⑤ Lift the cover upwards until you are able to pull out towards you to remove.



- ⑥ Unscrew the Live, Neutral and Earth wires as illustrated. **Ensure the upper Earth wire is not removed.**



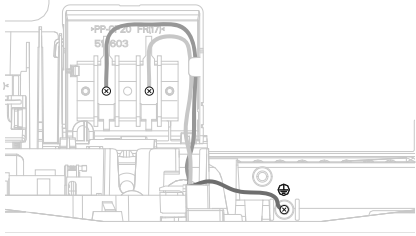
- ⑦ Carefully remove the cord from the product. Set toroid aside to for later use.



- ⑧ Fit a suitable cable clamp for the conduit through the metal knock-out. Route wiring behind the tab and through the toroid removed earlier. **Ensure only copper conductors are used.**

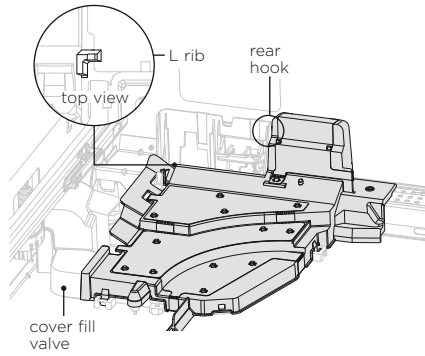
HARD WIRING (OPTIONAL)

9



Fix the Live and Neutral wires to the terminal block and the Earth wire to the chassis.

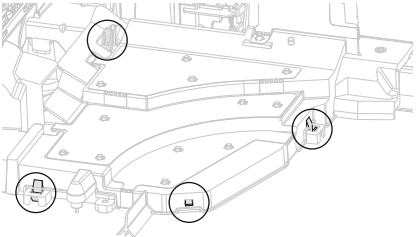
10



Position the cover fill valve into place before lowering the rest of the cover into position.

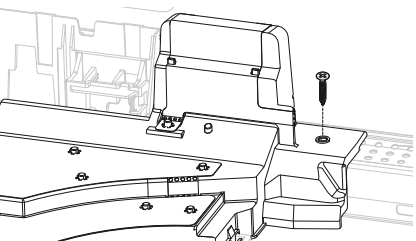
Lower the cover back into place ensuring the locking clips are aligned, the rear hook is positioned over the slot and the L rib is cleared.

11



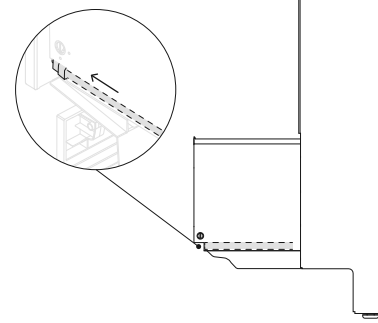
Lock clips back into place by pressing down on the cover firmly. Ensure all illustrated areas are engaged.

12



Refit screw to secure cover.

13

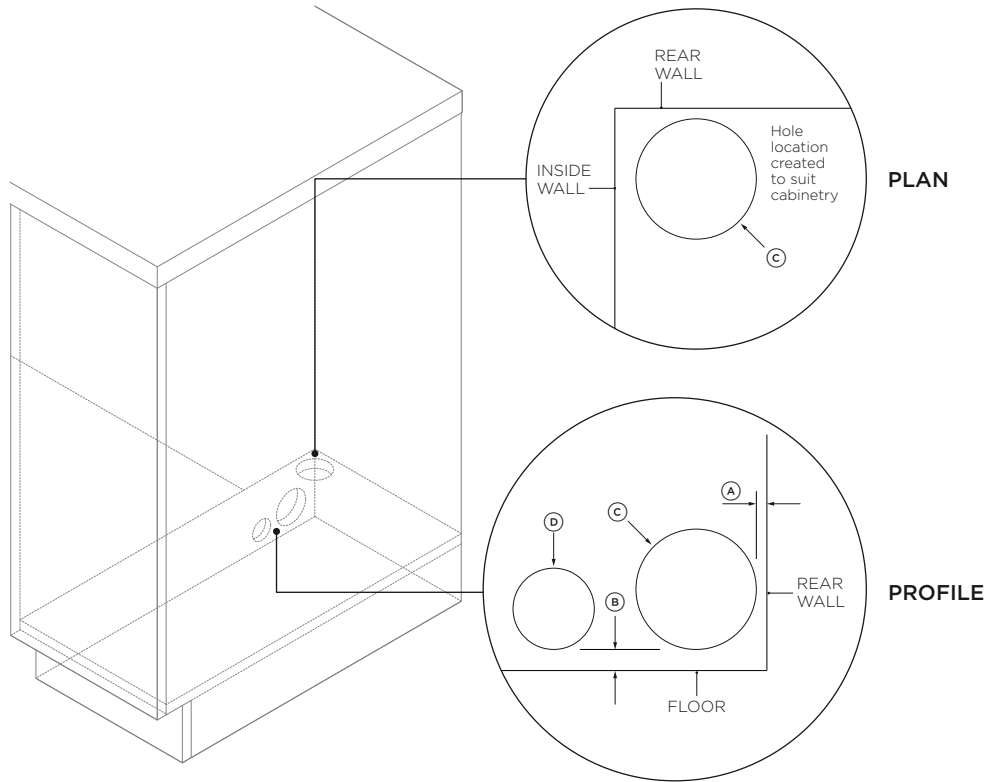


Ensure the hoses are not twisted before refitting the drawer to the runners and clipping into place via both locking tabs.

PREPARATION

SERVICE ACCESS

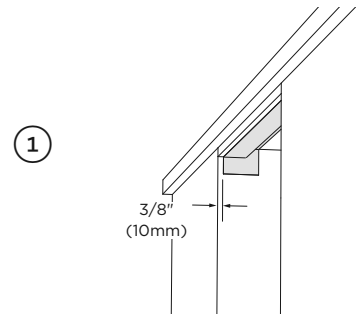
- We recommend locating the service holes on either side of the DishDrawer™ Dishwasher as shown below.
- If the holes are created through wood, ensure the edges are smooth and rounded
- If the holes are created through metal, ensure the supplied edge protector is fitted.
- Ensure power cord is routed through a separate service hole to the hoses.



SERVICE HOLE DIMENSIONS

	INCHES	MM
Ⓐ Maximum distance between rear of cavity and service hole	1/4	5
Ⓑ Maximum distance between floor and service hole	1/2	10
Ⓒ Minimum diameter of hose service hole	2 1/4	57
Ⓓ Maximum diameter of power cord service hole	1 1/2	38

MOISTURE PROTECTION

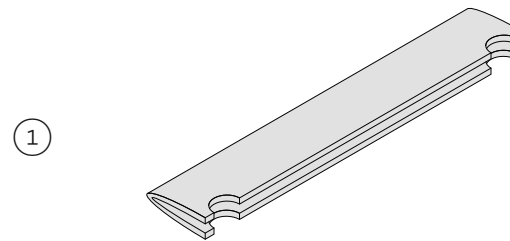


Align the supplied moisture protection tape to the cabinetry as illustrated

Ensure this area is free of debris before carefully applying the tape to the surface.

SOUND SEAL (OPTIONAL)

For best results, we recommend installing the supplied sound seal to reduce the possibility of any excess noise occurring during daily use.

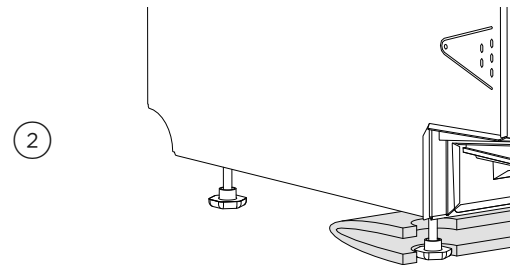


Cavity height of 34 - 34 7/16" (864 - 874mm)

Lay the sound seal flat, do not fold.

Cavity height of 34 7/16" + (874mm +)

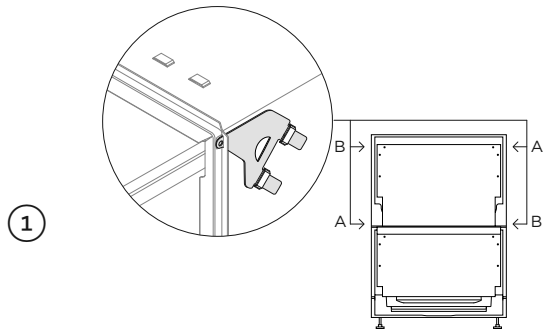
Fold the sound seal as illustrated.



Gently tilt the DishDrawer™ Dishwasher back and align the seal to the front feet.

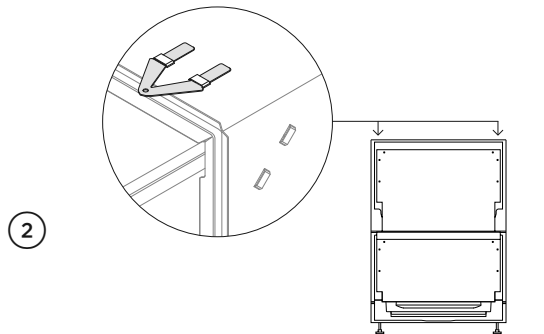
Carefully lower product and ensure seal is still positioned correctly.

PUSH THE PRODUCT INTO THE CAVITY



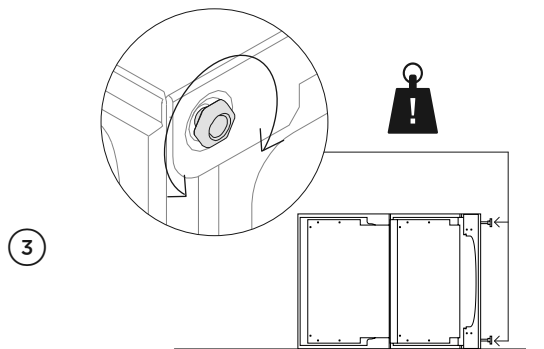
If securing to cabinetry via method A
Secure all four side brackets to the DishDrawer™ Dishwasher, aligning bracket A with slot A and bracket B with slot B.

Ensure the ends of the brackets are not pushed into the chassis.



Optionally, fit the two top brackets for additional stability. Ensure the brackets are oriented correctly with the raised locking barbs facing upwards.

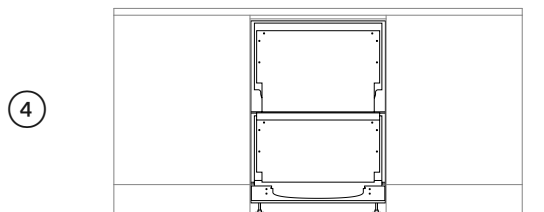
Ensure the ends of the brackets are not pushed into the chassis.



Level the DishDrawer™ Dishwasher by carefully tipping it onto protected surface.

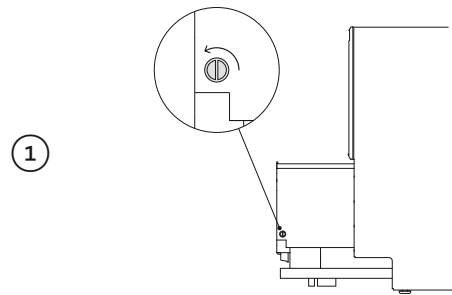
Rotate each leg clockwise to increase the height, and anticlockwise to decrease. Stand upright when complete.

Minor adjustments can be made by lightly tilting the product and rotating each leg as desired.

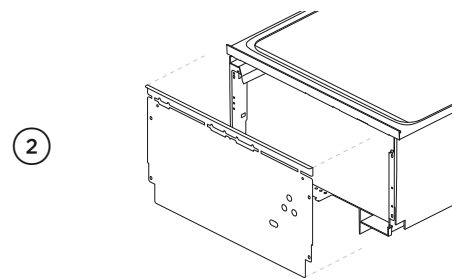


Push the product into the cavity, pulling the hoses through as you push to avoid crushing or twisting them and taking care not to bend the legs.

FIT CUSTOM DOOR PANELS

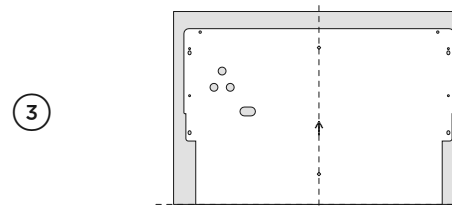


Remove both side pins from each drawer by twisting a quarter-turn towards the product front. Pull outwards to remove pin.

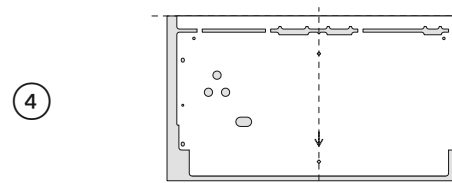


Carefully pull both brackets from DishDrawer™ Dishwasher down and out before unplugging the Knock-to-Pause modules and earth wires.

Remove the Knock-to-Pause modules from the back of the brackets.

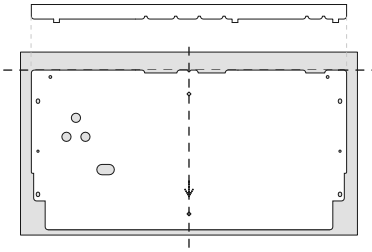


On the back of the upper panel, mark the centre and align the base of the upper bracket with the base of the panel. Secure using a minimum of 3 screws on either side.



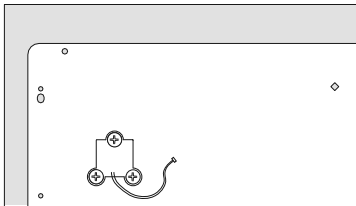
On the back of the lower panel, mark the centre and align the top of the upper bracket with the top of the panel. Secure using a minimum of 3 screws on either side.

5



Snap the bracket tab to remove.

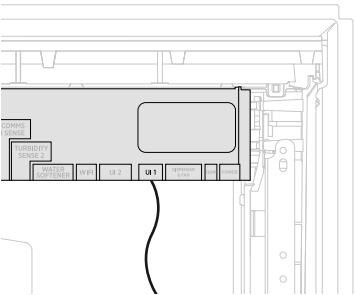
6



Attach the Knock-to-Pause module to the panels as shown.

Ensure the Knock-to-Pause modules are oriented correctly and are not in contact with the brackets before securing.

7

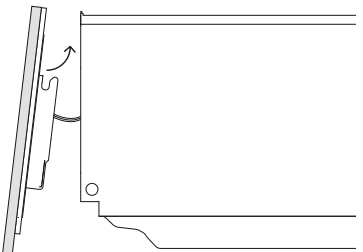


Electric shock hazard:

To earth the panel bracket, connect the earth wire from the product to one of the tabs. Any custom metal components (e.g. handle) that extend past the rubber seal must be earthed also.

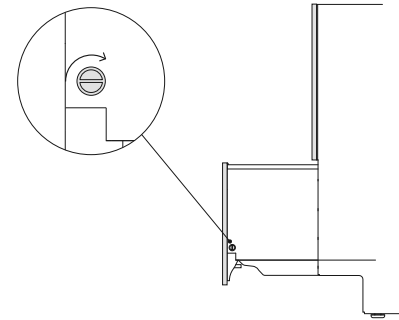
Reconnect the Knock-to-Pause module to the UI 1 slot on the wash controller as shown. Reconnect the earth wire to the panel bracket.

8



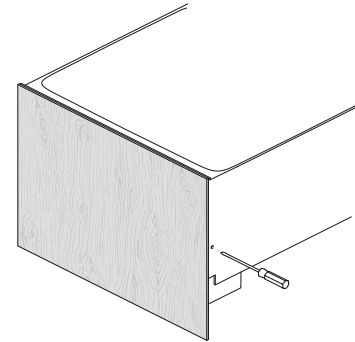
Carefully fit the panels onto the product. When refitting the lower panel, we recommend pushing back the drawer slides as shown on page 10 for access.

9



Re-insert both side pins to each drawer by pushing in and twisting a quarter-turn towards the rear of the product to secure panels into place.

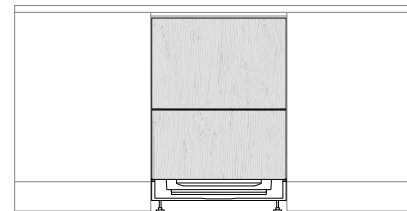
10



Insert a Phillips screwdriver into the hole above each side pin and rotate to adjust the panel alignment. There is a maximum travel distance of $\pm 1/16''$ (2mm).

Repeat for both sides and drawers if required.

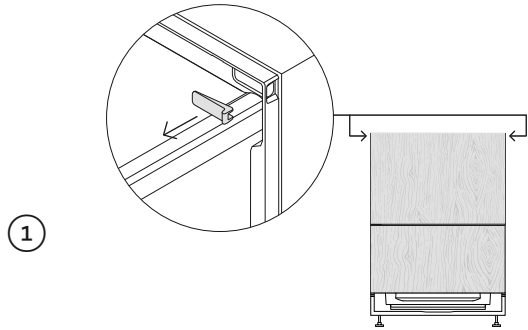
11



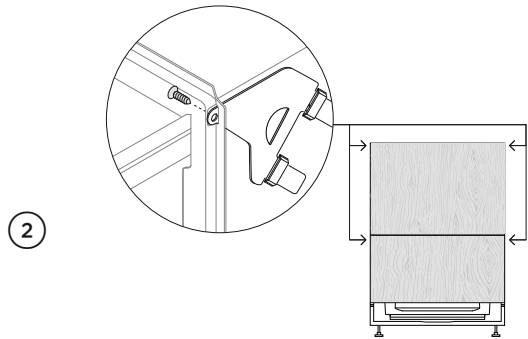
Re-check clearances.

Ensure the minimum clearance gap of 5/16'' (8mm) between panels is maintained after all adjustments have been made.

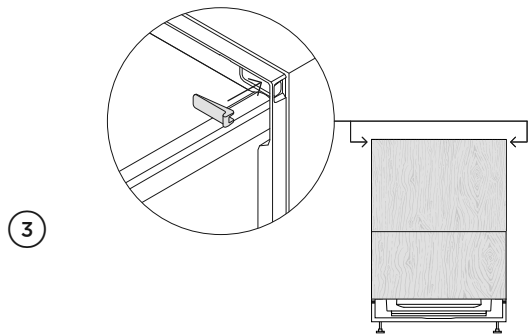
SECURE TO CABINERY VIA BRACKETS (METHOD A)



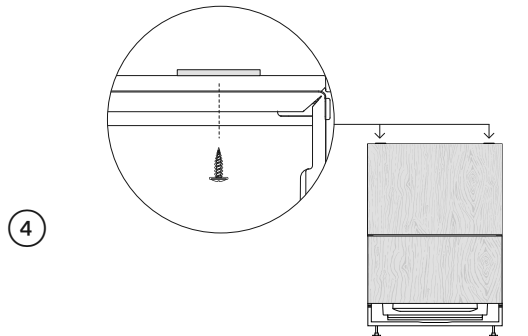
1 Partially open one of the drawers and remove the first screw cover from the trim moulding.



2 Secure to cabinetry via the brackets. Pre-drilling a pilot hole may be required depending on the cabinetry material.

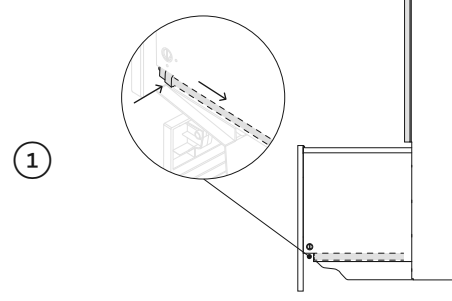


3 Replace the trim cover and repeat for the remaining brackets.

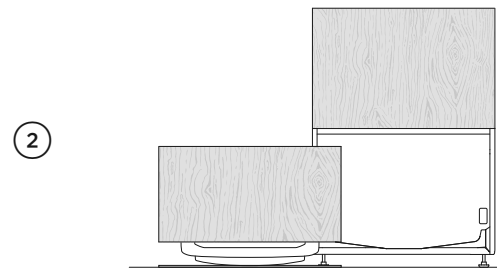


4 If fitted in step 2, secure the two top brackets to the cabinetry.

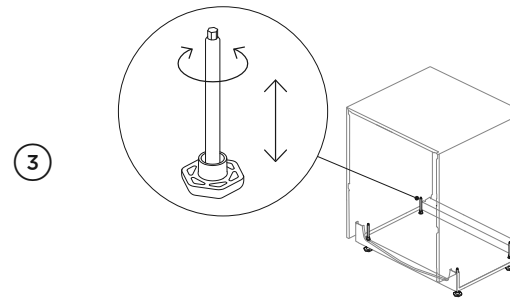
SECURE TO CABINERY VIA DRAWER REMOVAL (METHOD B)



1 Open the lower drawer and press both locking tabs back to release.

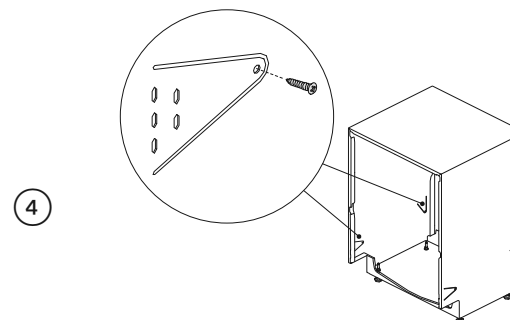


2 Lift the drawer off the runners and carefully set aside on a protected surface. Push runners back in. Take care not to pull drawer out too far to prevent any strain on the hoses. Where possible, protect the base of the tub to prevent damage.



3 Using the supplied hex socket and a screwdriver, level the DishDrawer™ Dishwasher as required. Rotate clockwise to increase the height of each leg and anticlockwise.

It can help to reduce the loading on the feet to assist the adjustment process to decrease the height.



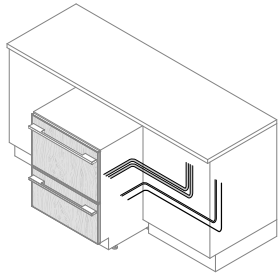
4 Secure to cabinetry via all four fixing locations in the chassis.

Ensure sound insulation is replaced correctly.

If fitted, secure the two top brackets to the cabinetry.

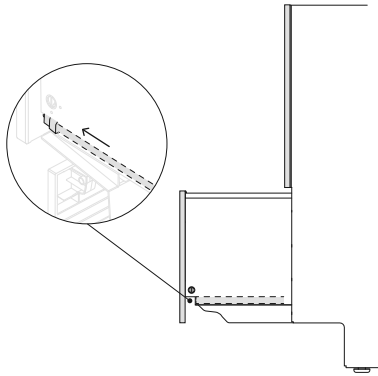
SECURE TO CABINETRY VIA DRAWER REMOVAL (METHOD B)

5



Before refitting the drawer, ensure the hoses are not twisted.

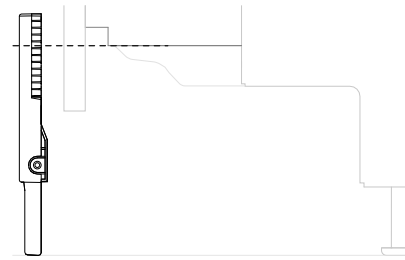
6



Refit the drawer to the runners and clip into place via both locking tabs.

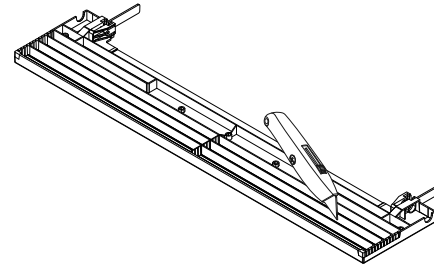
INSTALL PRE-FINISHED TOE KICK

1



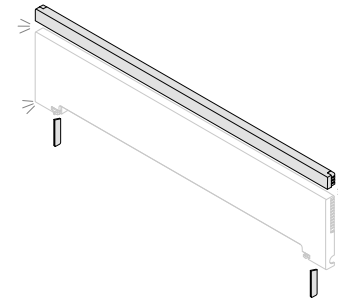
Measure toe kick height against the base of the lower tub.

2



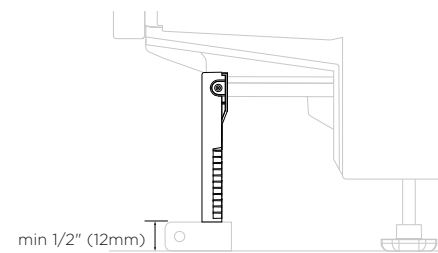
Carefully score toe kick at desired height.

3



Snap off excess toe kick material and both end tabs. Smooth the edges.

4

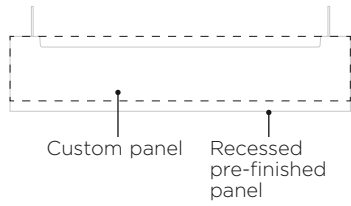


Slide toe kick onto the mounting rails and secure. Ensure a 1/2" (12mm) clearance is maintained between the floor and the toe kick, the end tabs can be used to measure this if desired.

Do not over tighten the screws.

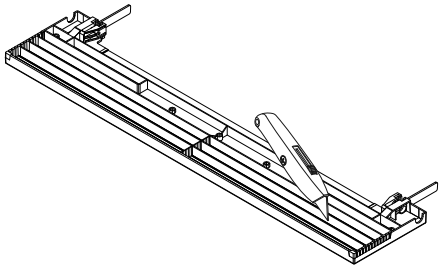
INSTALL CUSTOM TOE KICK

1



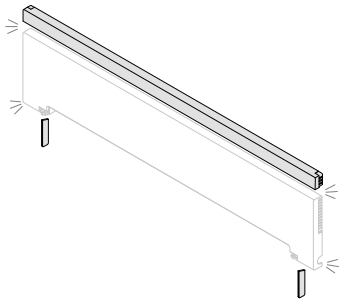
Align the custom panel to the recessed pre-finished panel, referring to 'Custom panel dimensions' for guidance. Mark a section of the recessed panel to be removed, ensuring it is shorter than the custom panel.

2



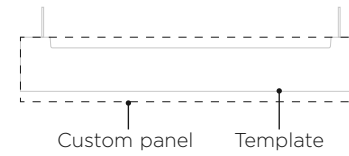
On a protected surface, carefully score the toe kick at the marked height.

3



Snap off excess toe kick material and both end tabs. Smooth the edges.

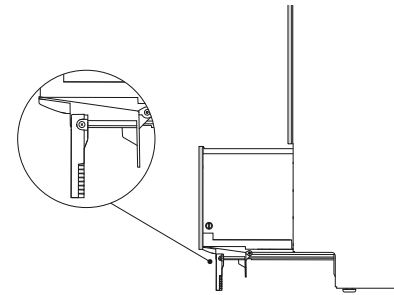
4



Re-align the custom panel to the recessed panel and secure using the provided screws.

Pre-drilling the screw bosses is recommended for optimal results.

5

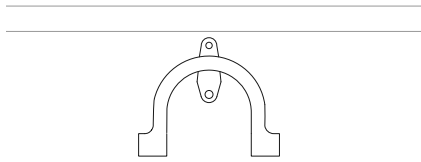


Slide toe kick onto the mounting rails and secure.

Do not over tighten the screws.

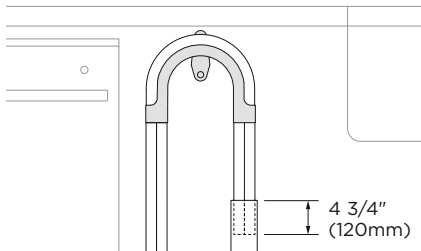
Ø38MM STANDPIPE INSTALLATION

1



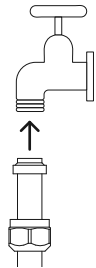
Install the drain hose support to the back wall, as close to the underside of the countertop as possible. Refer to 'Plumbing & electrical connection' for minimum install heights.

2



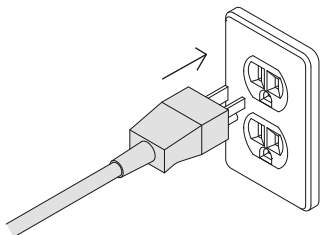
Pull both hoses through the support guide and rest in standpipe. Ensure the hoses do not extend any further than 4 3/4" (120mm) into the standpipe. An air gap is required to prevent waste water from siphoning back into the tub.

3



Connect the inlet hose to tap and hand-tighten into place. Using a spanner or pliers, turn a further 180° to secure. Avoiding over-tightening. **Do not turn water supply on. The DishDrawer™ Dishwasher must be powered on for the flood protection feature to be enabled.**

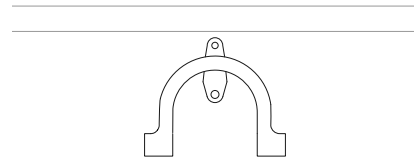
4



Plug product in.

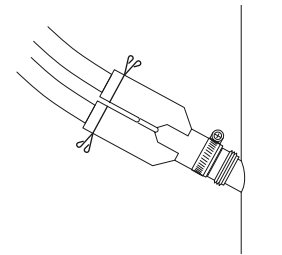
SINK TRAP/WASTE TEE INSTALLATION

1



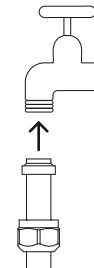
Install the drain hose support to the back wall, as close to the underside of the countertop as possible. Refer to 'Plumbing & electrical connection' for minimum install heights.

2



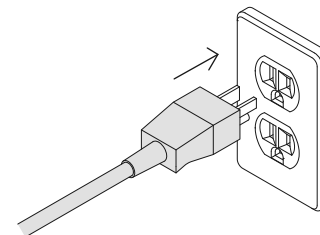
Thread wire clips on to the hoses before pulling both hoses through the support guide and fitting to the supplied hose joiner. Secure using the wire clips. Ensure hose is routed straight to the joiner, removing excess drain hose if necessary. Do not shorten the inlet hose. Unplug or drill out the waste tee before securing joiner to sink trap or waste tee.

3



Connect the inlet hose to tap and hand-tighten into place. Using a spanner or pliers, turn a further 180° to secure. Avoiding over-tightening. **Do not turn water supply on. The DishDrawer™ Dishwasher must be powered on for the flood protection feature to be enabled.**

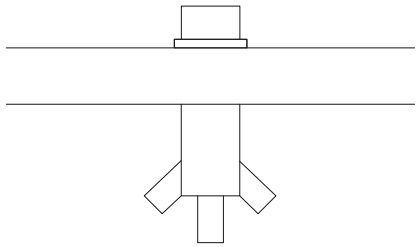
4



Plug product in.

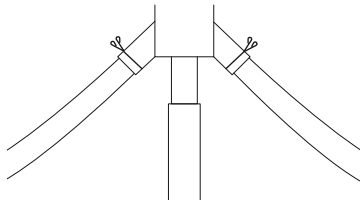
DUAL AIR GAP INSTALLATION

1



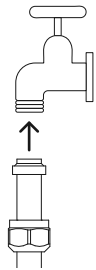
We recommend installing a Dual Air Gap Kit to your benchtop like shown. This is the preferred Air Gap installation method.
Refer to 'Plumbing & electrical connection' for minimum install heights.

2



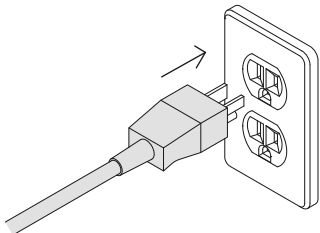
Thread wire clips on to the hoses before fitting both hoses to the Dual Air Gap Kit. Secure using the wire clips. Ensure hoses are routed straight to the kit, removing excess drain hose if necessary.
Unplug or drill out the waste tee before securing to sink trap or waste tee.

3



Connect the inlet hose to tap and hand-tighten into place.
Using a spanner or pliers, turn a further 180° to secure. Avoiding over-tightening.
Do not turn water supply on. The DishDrawer™ Dishwasher must be powered on for the flood protection feature to be enabled.

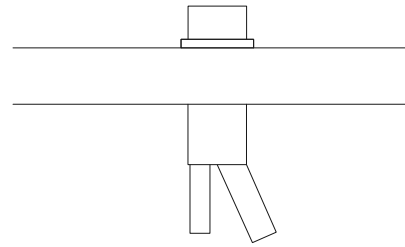
4



Plug product in.

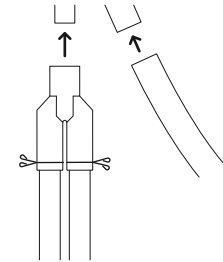
SINGLE AIR GAP INSTALLATION

1



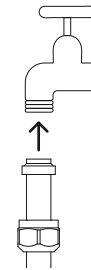
Install your single Air Gap Kit to the benchtop like shown.
Refer to 'Plumbing & electrical connection' for minimum install heights.

2



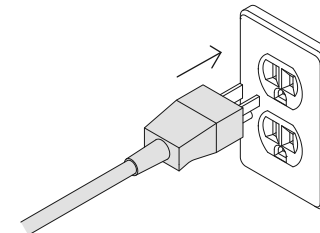
Thread wire clips on to the hoses before fitting both hoses to the supplied hose joiner. Secure using the wire clips. Fit to the Air Gap Kit. Ensure hoses are routed straight to the joiner, removing excess drain hose if necessary.
Unplug or drill out the waste tee before securing to sink trap or waste tee.

3



Connect the inlet hose to tap and hand-tighten into place.
Using a spanner or pliers, turn a further 180° to secure. Avoiding over-tightening.
Do not turn water supply on. The DishDrawer™ Dishwasher must be powered on for the flood protection feature to be enabled.

4



Plug product in.

INSTALLER CHECKLIST

TO BE COMPLETED BY THE INSTALLER

Installation

- Check all parts are installed correctly and are secure.
- Ensure all clearance gaps have been maintained.
- Ensure DishDrawer™ Dishwasher is secure and drawer opens and closes freely with no resistance.
- Ensure panel is fitted correctly to the DishDrawer™ Dishwasher
- Ensure any packaging or tape securing the racks and spray arm is removed.
- Check the spray arm is in place, mounted correctly and rotate freely.
- Ensure knock-to-pause module is fitted securely and operating correctly.

Plumbing

- Ensure any knock-outs or plugs in drain connection have been drilled out and drain connection has been made.
- The drain hose joiner must not support the weight of excess hose material. Keep drain hose as fully extended as possible to prevent sagging. Any excess length of drain hose should be kept on the dishwasher side of the highloop.
- Ensure inlet hose has supplied rubber washer fitted, and that it's tightened.
- If connecting the drain hose to the sink trap, ensure the highloop is a minimum 5 7/8" (150mm) higher than the drain hose joiner.
- Water softener models: adjust the water softener setting from the default setting to suit the water hardness of the area. Refer to your user guide.
- Ensure water supply is turned off until power is connected and turned on. The DishDrawer™ Dishwasher must be powered on for the flood protection feature to be enabled.




Electrical

- Ensure all electrical tests have been conducted in accordance with local regulations.

Test operation

- Turn on the power and water supplies, then open the drawer. You should hear a beep and see a program indicator light up on the control panel.
- Add three cups of water into the drawer.
- Navigate to **RINSE** and start the program.
- Repeat for the other drawer.
- After the Rinse cycle has finished, ensure the dishwasher has run and drained correctly.
- Check the water supply has been shut off correctly.
- Check drainage connections for leaks.
- If site is left without power after installation is complete, ensure water supply is turned off to prevent flooding.**

TROUBLESHOOTING

DISPLAY	POSSIBLE CAUSE	WHAT TO DO
 <p>RINSE + all modifiers</p>	<p>A1: Water Supply fault.</p>	<ol style="list-style-type: none"> ① Ensure the water supply is turned on. ② Press ► once to stop the beeping, then again to clear the fault. ③ Press ► to resume the wash program.
 <p>ECO, RINSE + all modifiers</p>	<p>A3: Drawer cannot drain. The drainage hose may be blocked or kinked, or the connection to drainage pipe may be blocked.</p>	<ol style="list-style-type: none"> ① Ensure the drainage hose and connection to pipes are not blocked. ② Press ► once to stop the beeping, then again to clear the fault. ③ Press ► to resume the wash program.
 <p>GLASSWARE, ECO + all modifiers</p>	<p>A6: The spray arm has loosened or come off its mounting, or water pressure is too low, or a combination of low water pressure and excessive foaming.</p>	<ol style="list-style-type: none"> ① Open the drawer and check the spray arm. ② If the spray arm has loosened or come off its mounting, re-fit it. Check that it is firmly seated and turns freely. Refer to 'Maintenance' in your user guide. ③ Press ► once to stop the beeping, then again to clear the fault. ④ Press ► to resume the wash program.

No program indicator lights up when the drawer is opened

- Ensure power is connected and is switched on.
- **AUTO POWER-ON** may need to be activated. Refer to your user guide for details.

Drawer doesn't close properly

- Ensure nothing is obstructing the drawer from closing such as hoses or drawer latches.

Water appears around water supply and drain connections

- Check hoses, connections and existing plumbing for leaks.
- Check rubber washer and hose clamp are correctly fitted.

Product is tipping

- Ensure the product is secured to the cabinetry.

Front panels are misaligned to surrounding cabinetry

- Check cabinetry is square.
- Re-adjust door panels using the door adjustment screws. Refer to page 14 for guidance.
- Re-secure DishDrawer™ Dishwasher to cabinetry

If a problem occurs that is not listed, refer to your user guide for additional troubleshooting. If after checking these points, you still need assistance, please refer to the Service & Warranty book for warranty details or contact us through our website fisherpaykel.com

FISHERPAYKEL.COM

© Fisher & Paykel Appliances 2021. All rights reserved.

The models shown in this guide may not be available in all markets
and are subject to change at any time.

The product specifications in this guide apply to the specific products and
models described at the date of issue. Under our policy of continuous product
improvement, these specifications may change at any time.

For current details about model and specification availability in your country,
please go to our website or contact your local Fisher & Paykel dealer.

592424A 04.21