

FISHER & PAYKEL

BUILT-UNDER DISHWASHER

INTEGRATED

DW24UT2I2 & DW24UT4I2 models

INSTALLATION GUIDE

US CA

592981A 09.22

⚠ WARNING!



Electric Shock Hazard

Failure to follow this advice may result in electrical shock or death.

- This appliance must be earthed. This appliance has a cord with an equipment-earthing conductor and an earthing plug. The plug must be plugged into an appropriate outlet that is installed and earthed in accordance with all local regulations.
- **WARNING** – Improper connection of the equipment-earthing conductor can result in a risk of electric shock. Check with a qualified electrician or service technician if you are unsure if the appliance is properly earthed.
- Do not modify the power supply plug provided with the appliance. If a different outlet is required have it installed by a qualified electrician. Do not use an extension cord, adapter plug or multi-box.

⚠ WARNING!



Cut Hazard

Failure to use caution could result in injury.

- Take care – panel edges are sharp.

⚠ WARNING!



Weight Hazard

Failure to follow this advice may result in damage or personal injury.

- Do not attempt to lift this product unassisted.

SAFETY AND WARNINGS

WARNING!

To reduce the risk of fire, injury to persons or damage when using the appliance, follow the important safety instructions listed below. Read all the guidance before using the appliance.

Servicing

- Do not repair or replace any part of the appliance unless specifically recommended in this guide. All other servicing should be undertaken by a Fisher & Paykel trained and supported service technician or qualified person.

Installation

- Ensure all water connections are turned OFF. It is the responsibility of the plumber and electrician to ensure that each installation complies with all Codes and Regulations.
- The dishwasher MUST be installed to allow for future removal from the enclosure if service is required.
- The switched power outlet must be outside the dishwasher cavity, so that it is accessible after installation.
- This dishwasher is manufactured for indoor use only.
- Care should be taken when the appliance is installed or removed to reduce the likelihood of damage to the power supply cord and hoses.
- If the dishwasher is to be relocated from one installation to another it must be kept upright to avoid damage from water spillage.
- Make sure only new hoses are used for connection (supplied with the dishwasher). Old hoses should not be reused.
- Failure to install the dishwasher correctly could invalidate any warranty or liability claims.
- Ensure the dishwasher is placed between cabinetry. Failure to do so may result in an unstable product, which may cause damage or injury.
- Do not operate this appliance if it is damaged, malfunctioning, partially disassembled or has missing or broken parts, including a damaged power supply cord or plug.
- Do not store or use petrol, or other flammable vapours and liquids in the vicinity of the dishwasher.
- Connect to a properly rated, protected and sized power supply circuit to avoid electrical overload.
- Make sure that the power supply cord is located so that it will not be stepped on, tripped over or otherwise subject to damage or stress.
- Do not install or store the dishwasher where it will be exposed to temperatures below freezing or exposed to weather.
- Do not use an extension cord or a portable electrical outlet device (e.g. multi-socket outlet box) to connect the dishwasher to the power supply.
- This appliance must be earthed. In the event of a malfunction or breakdown, earthing will reduce the risk of electric shock by providing a path of least resistance for electric current.
- This appliance is equipped with a cord having an equipment-earthing conductor and an earthing plug. The plug must be plugged into an appropriate outlet that is installed and earthed in accordance with all local codes and ordinances.
- EARTHING INSTRUCTIONS - This appliance must be connected to a earthed metal, permanent wiring system, or an equipment-earthing conductor must be run with the circuit conductors and connected to the equipment-earthing terminal or lead on the appliance.
- Ensure the product is not plugged in when fitting custom panels.
- Installation of custom panels requires basic mechanical and electrical skills.
- Installation must comply with your local building and electricity regulations.

- Failure to install the custom panels correctly could invalidate any warranty or liability claims.
- Installation of this dishwasher requires basic mechanical and electrical skills.
- Be sure to leave these Instructions with the Customer.
- Installation must comply with your local building and electricity regulations.
- At the completion of the dishwasher installation, the Installer must perform the Final Checklist.
- Remove all packaging materials supplied with the dishwasher.
- If the product is installed in a motor vehicle, boat or similar mobile facility, you must bring the vehicle, boat or mobile facility containing the product to the service shop at your expense or pay the service technician's travel to the location of the product.
- This appliance is fitted with a water heating feature and intended for connection to a hot water supply.

SAVE THESE INSTRUCTIONS

The models shown in this installation guide may not be available in all markets and are subject to change at any time. For current details about model and specification availability in your country, please go to our website www.fisherpaykel.com or contact your local Fisher & Paykel dealer.

COMPONENTS REQUIRED

PARTS

- Keep all packing materials until the unit has been inspected.
- Inspect the product to ensure there is no shipping damage. If any damage is detected contact the dealer or retailer you bought the product from to report the damage.
- Fisher & Paykel is not responsible for shipping damage.

Supplied



Spacers (4)



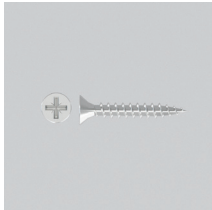
Moisture protection tape (1)



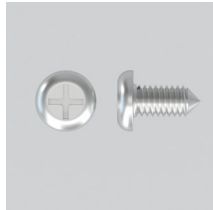
Drain hose support (1)



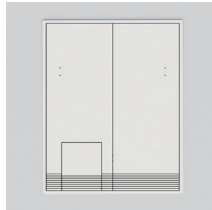
Sound seal (1)



4 x 25mm screws (4)



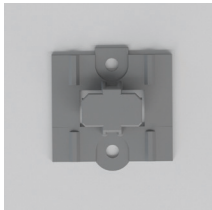
4 x 13mm screws (5)



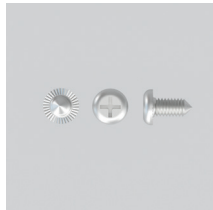
Door panel template (1)



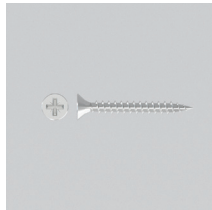
Exit vent (1)



Sliding bracket (1)

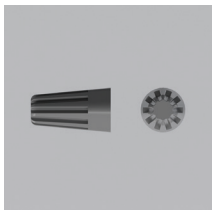


3.5 x 11mm screws (2)



3.9 x 38mm screws (6)

Required (not supplied)



UL-listed wire nuts (3)

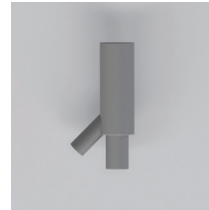


Thread seal tape (1)



3/4" (19mm) Elbow 90° (1)

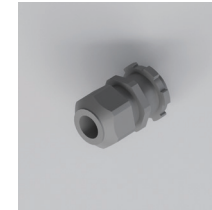
Components for new installation only (available in hardware stores)



Air gap for drain hose (use only if required)



Wate tee for house plumbing (use only if required)



3/4" (16mm) Strain relief for electrical connection



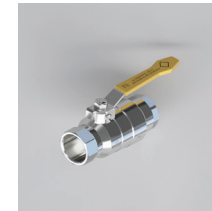
Screw-type hose clamps



Hot water line with ferrule and compression nut - min 3/8" (9.5mm) copper tubing or flexible braided hose



Electrical cable or Power cord kit - 5' 4" (163cm) or 7' 9" (236cm) long depending on your installation



Hand shut-off valve (recommended)

WARNING!

Ensure the power cord and connections comply with the National Electrical Code, Section 422 and/or local codes and ordinances. Maximum power cord length is 6 feet. A power Cord Kit is available for purchase from an authorized Fisher & Paykel appliances dealer.

Check the house wiring. If it is not 2-wire with ground, a ground must be provided by the installer. If the house wiring is aluminum, use UL-Listed anti-oxidant compound and aluminum-to-copper connectors.

COMPONENTS REQUIRED

TOOLS

Not supplied



Powered driver



Cross-head screw driver



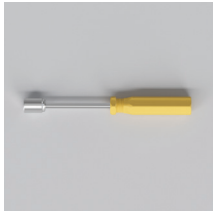
Flat-head screw driver



Box cutter



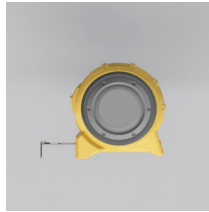
Allen Key 1/4" (6mm) and 3/16" (4mm)



Nutdriver 1/4" (6.35mm) and 5/16" (7.94mm)



Adjustable wrench 6" (152.4mm)



Measuring tape



Safety glasses



Flashlight



Gloves



Bucket - for flushing the line



Tubing cutter



Hole saw set



Level



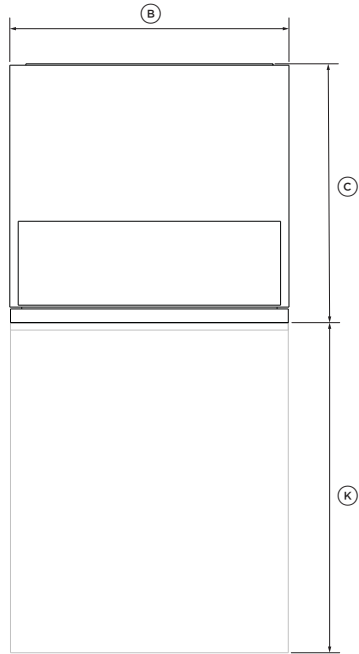
Carpenters square

Supplied

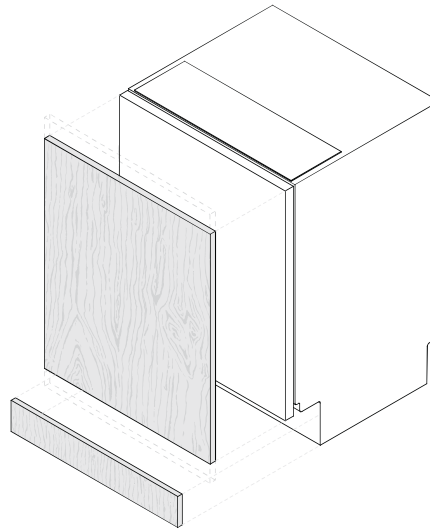


Phillips head key

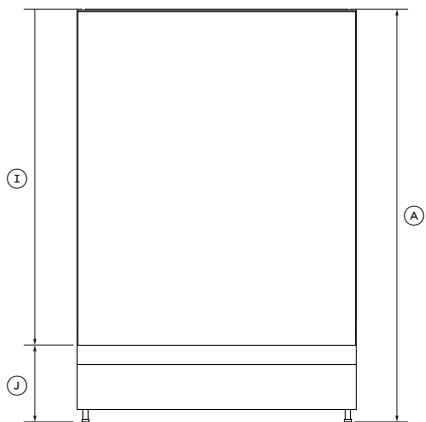
PRODUCT DIMENSIONS



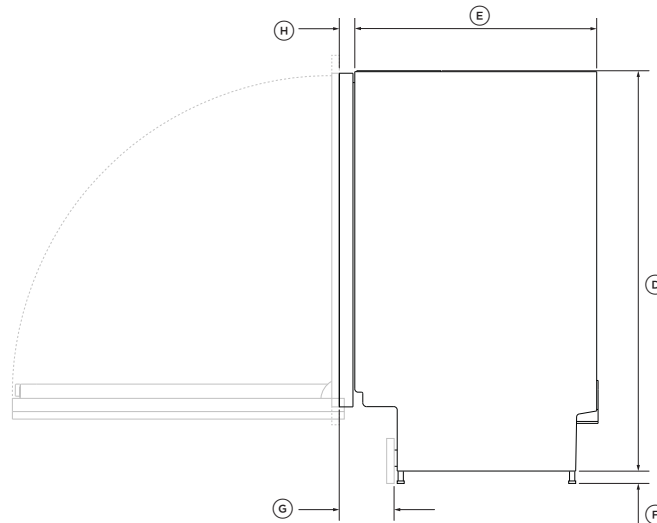
PLAN



ISO



FRONT



PROFILE

PRODUCT DIMENSIONS	INCH	MM
Ⓐ Overall height*	33 3/4 -36 1/8	857-917
Ⓑ Overall width**	23 7/16	597
Ⓒ Overall depth**	21 13/16	554
Ⓓ Height of chassis	33 3/4	857
Ⓔ Depth of chassis	20 1/2	521
Ⓕ Height of feet*	0-2 3/8	0-60
Ⓖ Depth of toe kick recess	4 9/16	116
Ⓗ Depth of inner door**	1 5/16	33
Ⓘ Height from top of chassis to bottom of inner door	28 5/16	719
Ⓝ Height from bottom of inner door to floor*	5 7/16 -7 13/16	138-198
Ⓚ Minimum depth of door opening**	26 5/8	676

*depending on adjustment of levelling feet

**excluding custom panel and handle

Actual product dimensions may vary by 1/16" (2mm)

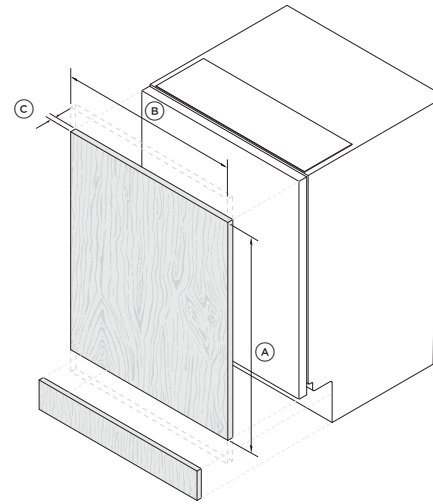
CUSTOM PANEL DIMENSIONS

Material specifications

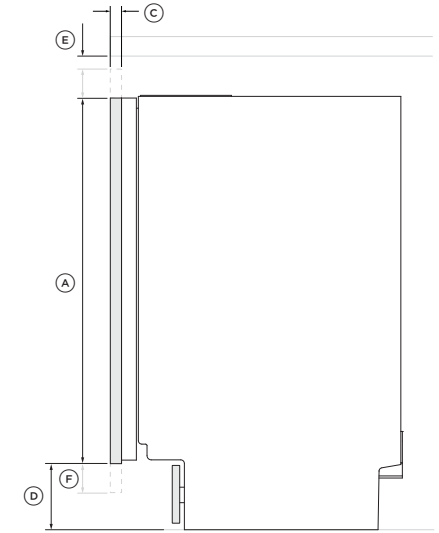
- Maximum weight of door panels must not exceed 22lb (including handle)
- The panel should be adequately sealed to withstand moisture (122°F (50°C) 80% RH). The back and sides of the panel should be completely sealed with a waterproof vapour barrier, such as polyurethane, to prevent damage.
- Installation outside these specifications may result in condensation on cabinetry surfaces.

Toe kick considerations

- Depending on the desired toe kick recess depth and door panel extension, the toe kick panel height may need to be adjusted to allow adequate door swing.



ISO

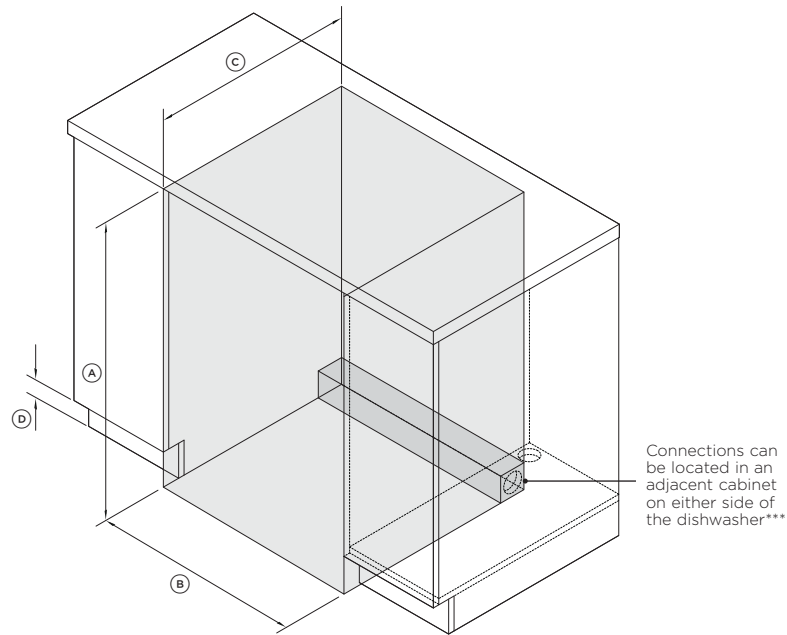


PROFILE

CUSTOM PANEL CONSIDERATIONS	INCH	MM
Ⓐ Minimum height of custom door panel for full coverage of the inner door	28 1/8	714
Ⓑ Minimum door panel width	23 7/16	596
Ⓒ Door panel depth	5/8-1	16-25
Ⓓ Distance from base of door panel to floor	2 3/4-7 7/8	70-200
Ⓔ Minimum clearance between top of door panel and benchtop	1/16	2
Ⓕ Maximum overhang of Custom Panel to bottom of inner door	2 3/4	70
Weight of door panel (including handle)	9-20lb	4-9kg

CABINERY

DIMENSIONS



ISOMETRIC

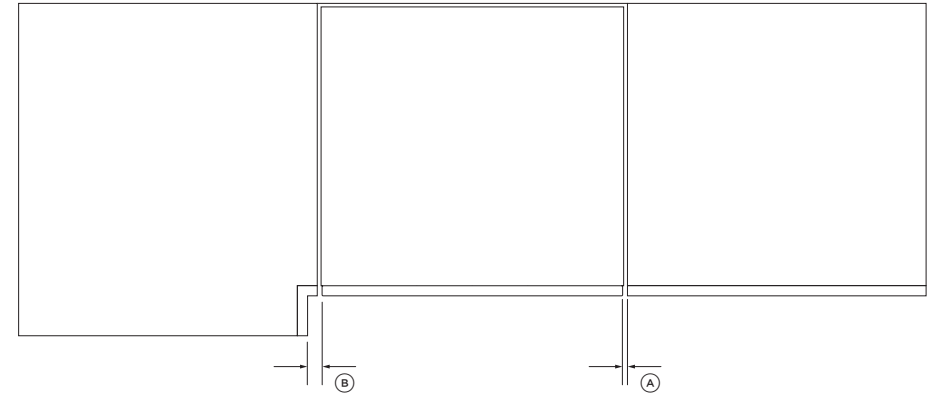
CABINERY DIMENSIONS	INCH	MM
Ⓐ Minimum inside height*	33 3/4	857
Ⓑ Minimum inside width	23 5/8	600
Ⓒ Minimum overall depth**	22 13/16	580
Ⓓ Height of toe kick area	2 3/4 - 7 7/8	70 - 200

*depending on adjustment of levelling feet

**including 3/4" (19mm) door panels on adjacent cabinetry

***For more information on service requirements, refer to 'Plumbing & electrical considerations' and 'Cabinetry preparation'.

CLEARANCES



PLAN

CABINERY CLEARANCES	INCH	MM
Ⓐ Minimum clearance to adjacent cupboard door	1/16	2
Ⓑ Minimum clearance to corner cupboard	1/2	13

PLUMBING & ELECTRICAL CONSIDERATIONS

Hose and cord lengths

- Your services can be installed to **either** the left-hand or right-hand side of the product in an adjacent cabinet. Refer to 'Cabinetry preparation' for service access requirements.
- The drain hose should not extend more than 13ft (4m). A longer drain hose will cause reduced performance.

Water connection

- The dishwasher should not be connected to a water system where there is no temperature control, unless the system is fitted with a suitable tempering valve.
- The dishwasher must not be connected to an undersink high-pressure push-through hot water system, as damage to the system will result.
- Maximum water temperature: 140°F (60°C).
- 3/4" BSP connection to product inlet valve.
- Ensure water connection complies with local plumbing regulations.

Water pressure

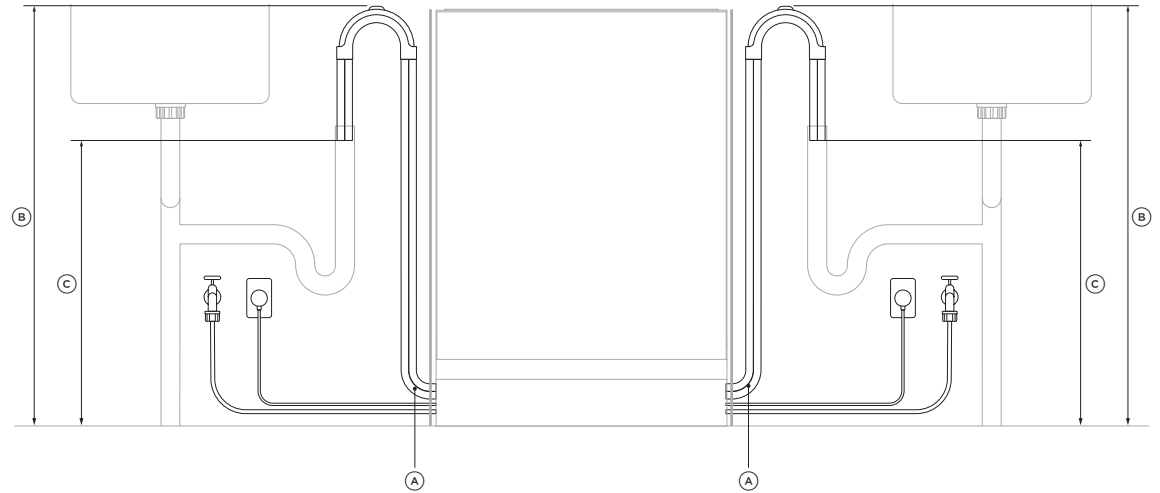
- 0.03-1MPa

Electrical requirements

- 120V, 60Hz, Maximum current 8.9A

Anti-flood protection

- This dishwasher has anti-flood protection, which will stop the water flowing in the event of a leak within the machine.

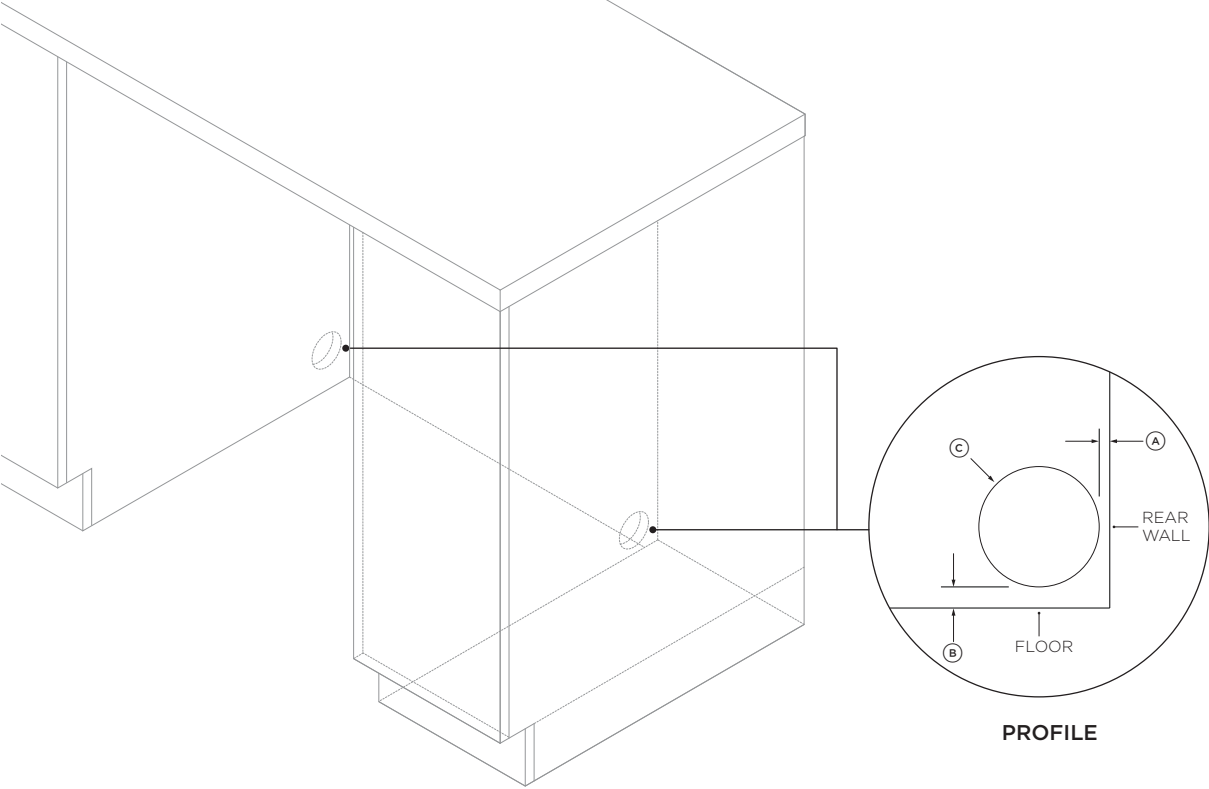


SERVICE DIMENSION	LEFT SIDE		RIGHT SIDE	
	INCH	MM	INCH	MM
(A) Length of drain hose	64 15/16	1650	51 3/16	1300
(B) Distance from floor to top of hose support	29 1/2 - 34 3/4	750-883	29 1/2 - 34 3/4	750-883
(C) Minimum distance from floor to end of drain hoses*	19 11/16	500	19 11/16	500

*standpipe install illustrated. Distance is the same for all plumbing installs.

SERVICE ACCESS

- We recommend locating the service holes on **either** side of the dishwasher as shown.
- If the holes are created through wood, ensure the edges are smooth and rounded.
- If the holes are created through metal, ensure an edge protector is fitted.



SERVICE HOLE DIMENSIONS	INCH	MM
Ⓐ Maximum distance between rear of cavity and service hole*	9/16	15
Ⓑ Maximum distance between floor and service hole**	0-2	0-50
Ⓒ Minimum diameter of service hole	1 1/2	38

*based on a cabinetry depth of 22 13/16" (580mm)
 **depending on adjustment of levelling feet

UNPACK PRODUCT

①



Cut straps, lift carton off product and remove the top cap.
Dispose of packaging responsibly.

②



Remove the install kit, any internal packaging, all rubber bands and all tape.

CABINETRY PREPARATION

①



Ensure all minimum cabinetry and service specifications have been met and that all services will be accessible after installation.

②



Ensure cabinetry floor is free from bumps and obstructions that could prevent the dishwasher from sliding into the cavity.

③



Align the supplied moisture protection tape to the cabinetry as shown.
Ensure this area is free of debris before carefully applying the tape to the surface.

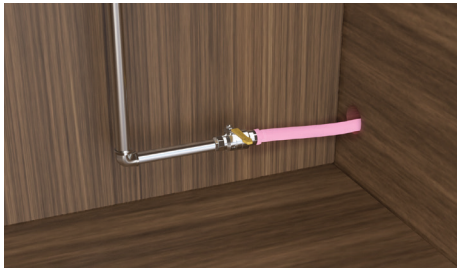
SERVICES PREPARATION

①



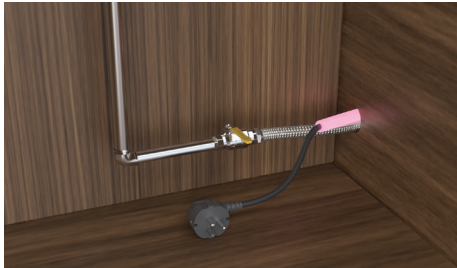
Flush water line into a bucket.
Install a hand shut-off valve in a readily accessible location in the adjacent cabinetry.

②



Hot water line installations:
Carefully route the hot water line through the service hole in the side of the cabinetry.

③



Route the hard wiring through the service hole in the side of the cabinetry.
Tape to the floor to secure.

④



Remove the toe kick by unscrewing the four screws.
Keep aside for re-assembly at the end of the installation.

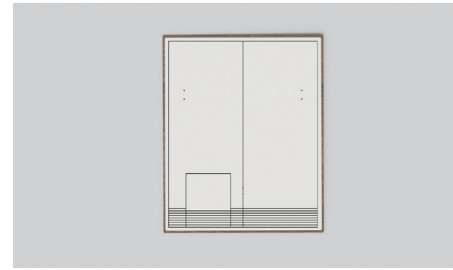
DOOR PANEL PREP

①



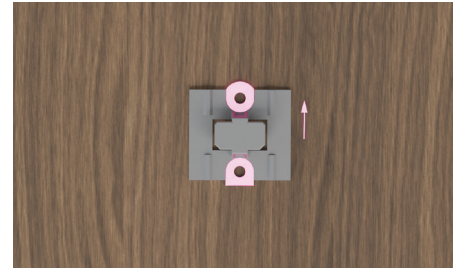
Ensure door panel meets all specifications.

②



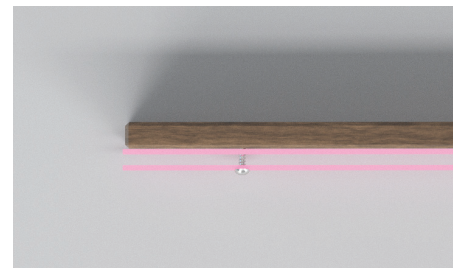
Using the template as a guide, pre-drill all holes into the panel.

③



Ensure the sliding bracket is oriented correctly before securing it to the panel.

④



Loosely fit both 16mm Philips hanging screws onto the door panel. Ensure there is a minimum space of 1/8" (3mm) between the screw-head and the panel.

PUSH INTO CAVITY

①



Using a flat bladed screwdriver, turn to raise the leveling feet. Level the rear, outside legs first followed by the front legs. Do not adjust the rear middle leg yet.

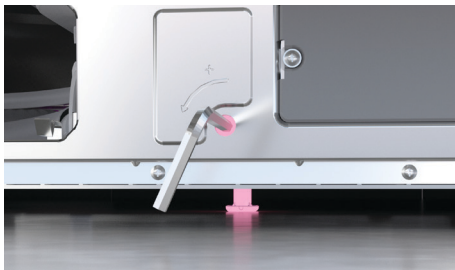
②



Remove both screw covers before partially pushing the product into the cavity, pulling the hoses through as you push to avoid crushing or twisting them. Take care not to bend the legs.

Push the product from the outside edges to avoid door damage.

③



Check the product sits level within the cavity.

To access the rear leg adjustment, remove the four screws holding the toe kick and mounting plate in place.

If required, the rear middle leg can be adjusted from the front of the product using a 6mm Allen key.

④

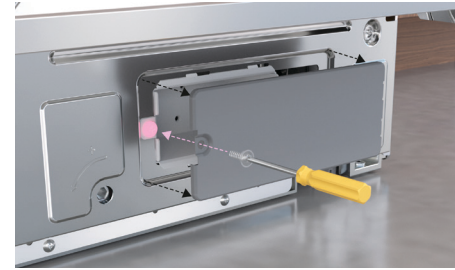


Select desired spacer width and cut to size. Remove adhesive and fit two spacers to each side of the product.

Push the product into the cavity from the outside edges taking care not to damage the electrical cable. Guide the cable through the channel under the product on the right hand side if required.

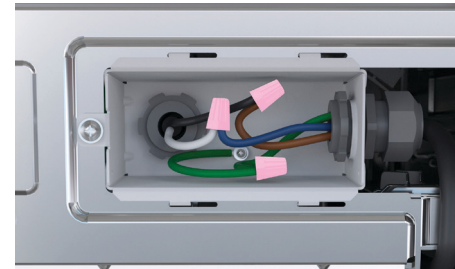
ELECTRICAL CONNECTION

①



Unscrew and remove the junction box cover to access the terminal block. Do not remove the screw holding the junction box bracket in place.

②



Install the strain relief into the junction box bracket and secure the house wiring or the power cord and tighten. Thread the wires through the hole in the junction box bracket and connect the incoming ground to green, white to white and black to black.

③

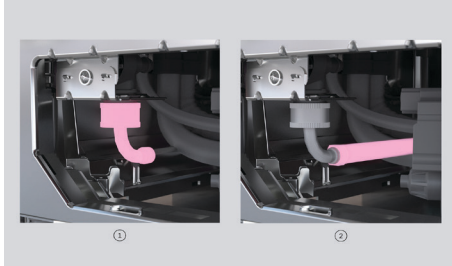


Refit the junction box cover ensuring all wires are clear of the cover. Ensure the power cord is routed under the dishwasher.

Ensure product does not have live power until this installation is complete.

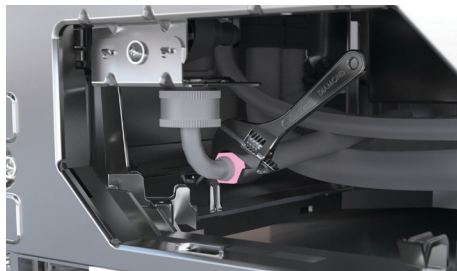
INSTALL HARD PLUMBING

①



Fitting copper pipe:

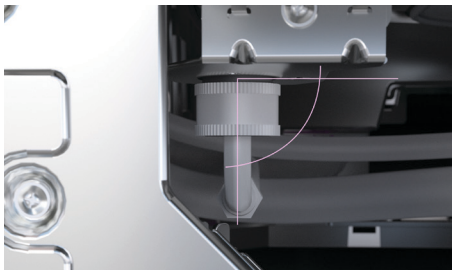
Slide the compression nut and ferrule towards the end of the pipe. Insert the end of the pipe into the elbow and screw the compression nut to the thread of the elbow.



Braided hose installations:

Screw the nut of the hose to the thread of the elbow. Hand-tighten then using a spanner or pliers, turn a further 180° to secure.

②



Connecting elbow to inlet valve:

Connect a 90° elbow to the water inlet valve. Ensure a rubber gasket is placed between the threads of the elbow and water supply valve. The end of the elbow must point to the rear of the dishwasher. Do not over tighten the elbow.

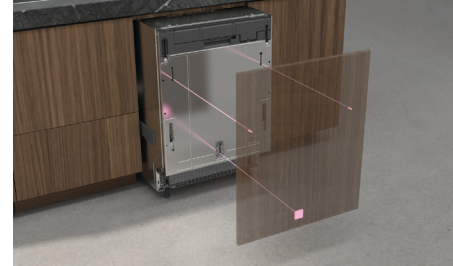
③



Briefly turn on the water supply and check for leaks, once you are satisfied the connections will not leak turn off the water supply.

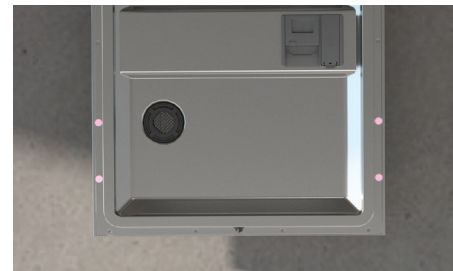
SECURE DOOR PANEL

①



Align the door panel to the product. Slot slider bracket and upper screws into place. Slide the panel upwards to lock into place.

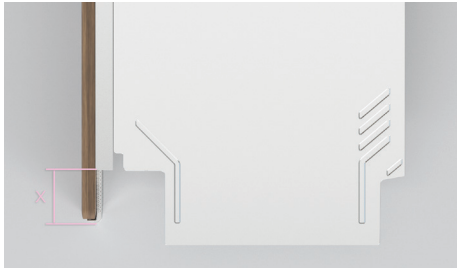
②



Align door panel to surrounding cabinetry. Open door and secure panel to product using 4 x screws.

FIT EXIT VENT

①



Measure the custom panel overhang from the base of the inner door. Refer to the table below for the recommended cut location.

②



CUT LOCATION	OVERHANG (INCH)	OVERHANG (MM)
⊙	0	0
⊙	0	0
⊙	0 - 3/16	0 - 5
⊙	3/16 - 1/2	5 - 12
⊙	1/2 - 3/4	13 - 19
⊙	13/16 - 1	20 - 26
⊙	1 1/16 - 1 5/16	27 - 33
⊙	1 5/16 - 1 9/16	34 - 40
⊙	1 5/8 - 1 7/8	41 - 47
⊙	1 7/8 - 2 1/8	48 - 54
⊙	2 3/16 - 2 3/8	55 - 61
⊙	2 7/16 - 2 11/16	62 - 68
⊙	2 3/4 - 2 15/16	69 - 75
⊙	-	-

③



On a protected surface, carefully cut the vent at the desired location.

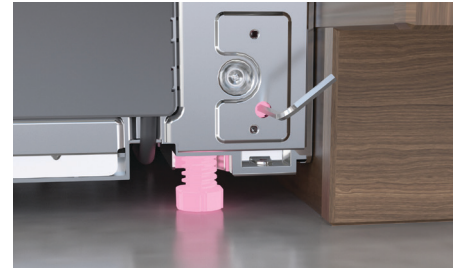
④



Slot the exit vent into the product and secure using two 3.5x11mm screws.

BALANCE DOOR

①



Use a 4mm Allen key to adjust the door tension. Rotate clockwise to increase tension, rotate counterclockwise to decrease tension. Ensure both sides are adjusted evenly.

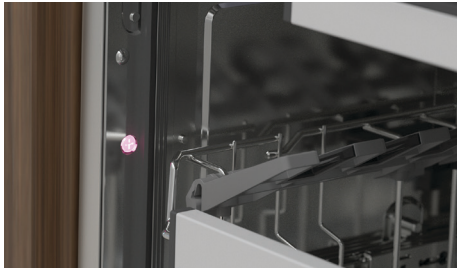
②



Open the door at a 45° angle and ensure it holds. If the door does not stay open, repeat the above step.

SECURE TO CAVITY

①



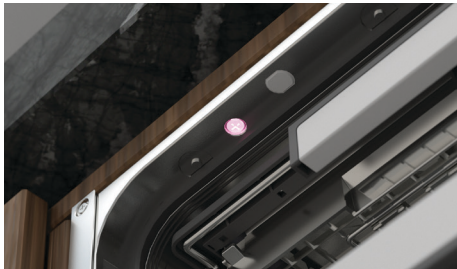
Loosely fit 2 x side fixing screws.

②



If needed, adjust the dishwasher within the cavity before tightly securing in place. Replace the screw covers.

③



Secure to benchtop using 2 x screws if possible.

PLUMBING & ELECTRICAL CONNECTION

Ø1 1/2" (38MM) STANDPIPE INSTALLATION

①



Install the drain hose support to the back wall, as close to the underside of the countertop as possible. Refer to 'Plumbing & electrical considerations' for minimum install heights.

②



Pull the hose through the support guide and rest in standpipe. Ensure the drain hose does not extend into water retained in the trap; an air gap is required to prevent waste water from siphoning back into the tub.

③



Connect the inlet hose to tap and handtighten into place. Using a spanner or pliers, turn a further 180° to secure. Avoiding over tightening.

Do not turn water supply on. The dishwasher must be powered on for the flood protection feature to be enabled.

④



Plug product in.
Non-hardwired installs only.

SINK TRAP/WASTE TEE INSTALLATION

1



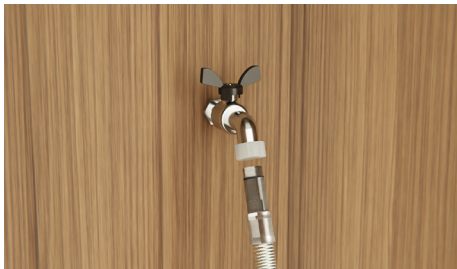
Install the drain hose support to the back wall, as close to the underside of the countertop as possible. Refer to 'Plumbing & electrical considerations' for minimum install heights.

2



Pull the hose through the drain hose support before threading the hose clamp onto the hose and fitting to the sink trap. Secure to trap using the clamp. Ensure hose is routed straight to the trap.
Unplug or drill out the waste tee before securing joiner to sink trap or waste tee.

3



Ensure the rubber washer is fitted when connecting the inlet hose to the tap. Hand-tighten into place.
Using a spanner or pliers, turn a further 180° to secure. Avoiding over-tightening.
Do not turn water supply on. The dishwasher must be powered on for the flood protection feature to be enabled.

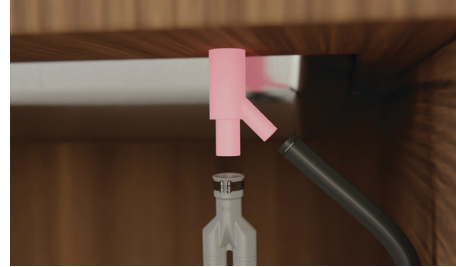
4



Plug product in.
Non-hardwired installs only.

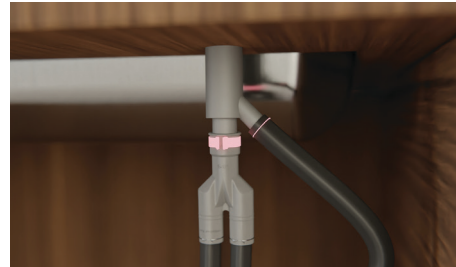
SINGLE AIR GAP INSTALLATION

1



Install your single Air Gap Kit to the benchtop like shown.

2



Thread wire clip on to the hose before fitting hose to the supplied hose joiner. Secure using the hose clamps. Fit to the Air Gap Kit. Ensure hose is routed straight to the joiner, remove any excess drain hose.
Unplug or drill out the waste tee before securing to sink trap or waste tee.

3



Connect the inlet hose to tap and handtighten into place. Using a spanner or pliers, turn a further 180° to secure. Avoiding over tightening.
Do not turn water supply on. The dishwasher must be powered on for the flood protection feature to be enabled.

4



Plug product in.
Non-hardwired installs only.

INSTALLER CHECKLIST

TO BE COMPLETED BY THE INSTALLER

Installation

- Check all parts are installed correctly and are secure.
- Ensure all packaging, tape and rubberbands have been removed.
- Ensure all clearance gaps have been maintained.
- Ensure dishwasher is securely fastened to the cabinetry and door opens and closes freely with no resistance.
- Ensure panel is fitted correctly to the dishwasher
- Check the spray arm is in place, mounted correctly and rotates freely.

Plumbing

- Ensure any knock-outs or plugs in drain connection have been drilled out and drain connection has been made.
- The drain hose joiner must not support the weight of excess hose material. Keep drain hose as fully extended as possible to prevent sagging. Any excess length of drain hose should be kept on the dishwasher side of the drain hose support.
- Ensure inlet hose has supplied rubber washer fitted, and that it is tightened.
- If connecting the drain hose to the sink trap, ensure the highloop is a minimum 150mm higher than the drain hose joiner.
- Water softener models: adjust the water softener setting from the default setting to suit the water hardness of the area. Refer to your user guide.
- Ensure water supply is turned off until power is connected and turned on. The dishwasher must be powered on for the flood protection feature to be enabled.
- Check for leaks.

Electrical

- Ensure all electrical tests have been conducted in accordance with local regulations.
- Ensure metal toe kick plate has been re-fitted.
- If site is left without power after installation is complete, ensure water supply is turned off to prevent flooding.**

TEST OPERATION

①



Turn power and water supply on and open the dishwasher.

②



Select **RINSE**.

③



After the **RINSE** cycle has finished, ensure the dishwasher has run and drained correctly.

INSTALL METAL PLATE TOE KICK

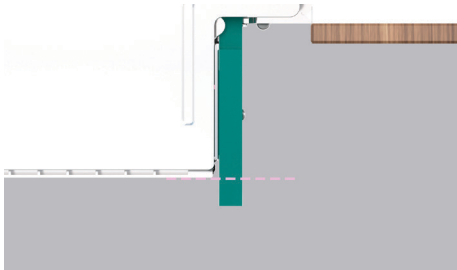
①



Refit the toe kick and mounting plate panels.
Slide the back of the mounting plate up or down to conceal any gaps left between the product and floor.

INSTALL SOUND SEAL

①



Align both sound seal sheets to the base of the dishwasher. If required, trim excess felt.

②



Ensure door swing is unobstructed before securing the sound seal sheets to the metal toe kick plate using the supplied double sided tape.
Ensure mounting screws are accessible through the sound seal after fitting.

INSTALL CONTINUOUS TOE KICK

①



Align toe kick to product and ensure all door swing clearances have been met.

②



Fit panel to surrounding cabinetry

FISHERPAYKEL.COM

© Fisher & Paykel Appliances 2022. All rights reserved.

The models shown in this guide may not be available in all markets
and are subject to change at any time.

The product specifications in this guide apply to the specific products and
models described at the date of issue. Under our policy of continuous product
improvement, these specifications may change at any time.

For current details about model and specification availability in your country,
please go to our website or contact your local Fisher & Paykel dealer.

592981A 09.22