

FISHER & PAYKEL

BLACK INDUCTION COOKTOP

CI304PTX & CI365PTX
models

INSTALLATION GUIDE

US CA

592124C 10.22

⚠ WARNING!



Electric Shock Hazard

Failure to follow this advice may result in electric shock or death.

- Disconnect the appliance from the mains electricity supply before carrying out any work or maintenance.
- Connection to a good earth wiring system is essential and mandatory.
- Alterations to the domestic wiring system must only be made by a qualified electrician.

⚠ WARNING!



Cut Hazard

Failure to use caution could result in injury.

- Take care: some edges are sharp.

READ AND SAVE THIS GUIDE

General Use

- Read these instructions carefully before installing this product.
- Save these instructions for the local electrical inspector's use.
- Installation must comply with your local building and local electricity regulations.
- Electrical installation (including electrical grounding) must be done in accordance with the National Electrical Code, ANSI/NFPA70 – latest edition and/or local codes. In Canada: Electrical installation must be in accordance with the current CSA C22.1 Canadian Electrical Codes Part 1 and/or local codes. Particular attention shall be given to the relevant requirements regarding ventilation.
- This appliance is to be installed and serviced only by Fisher & Paykel trained and supported service technician or qualified person.
- The manufacturer accepts no responsibility for the incorrect installation of appliances. Incorrect installation may result in personal injury, damage to property and may invalidate any warranty or liability claims.
- Do not modify this appliance.
- Do not use or store flammable materials on or near this appliance.
- Packing elements (eg plastic bags, polystyrene foam, staples, packing straps etc) and tools should not be left around during and after installation, especially if they are within easy reach of children, as these may cause serious injuries.
- Make sure you recycle the packaging material.
- Before disposing of any appliance, make sure that it can no longer be used and that all hazardous parts are removed or made harmless, so that children playing with the old appliance cannot harm themselves.
- Only genuine replacement parts may be used for servicing the appliance. These are available from your nearest Fisher & Paykel Service Center.
- This cooktop must be connected to the mains power supply only by a suitably qualified person.
- DO NOT use adapters, reducers, or branching devices when connecting the cooktop to the mains power supply to prevent overheating and fire.
- The power supply cable must not touch any hot parts and must be positioned so that its temperature will not exceed 165°F (75°C) at any point.
- This cooktop requires adequate supply of cool air to fully function. The base of the cooktop must have direct unrestricted ventilation to the room where the cooktop is installed. There must be a 3/16" (4mm) air gap at the front of the cooktop (see 'Venting Clearances' page).

INITIAL CONSIDERATIONS

PRIOR TO INSTALLATION

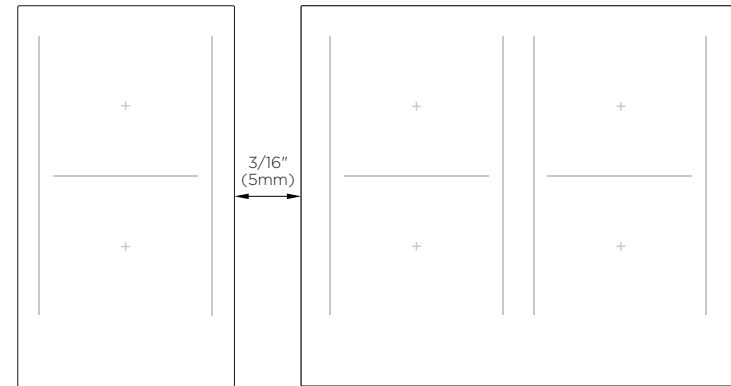
Before installation, please ensure the following:

- The countertop is made of a heat resistant material.
- The power supply cable is not accessible through cupboard doors or drawers.
- There is adequate flow of cool air from the cabinetry to the base of the cooktop. You may ventilate from adjacent cupboards, but ensure that the available air supply will not be restricted.
- The ventilation area must be at least two 2" (50mm) diameter holes or of equivalent area.
- The isolating switch is easily accessible by the customer.
- Use heat-resistant and easy-to-clean finishes (such as ceramic tiles) for the wall surfaces surrounding the cooktop.
- DO NOT install the cooktop directly above a dishwasher, fridge, freezer, washing machine or clothes dryer, as the humidity may damage the cooktop electronics.
- If the cooktop is installed above an oven, ensure the oven has a built-in cooling fan.
- Ensure the installation complies with all clearance requirements and applicable standards and regulations.
- Consult your local building authorities and by-laws if in doubt regarding the installation.
- To eliminate the risk of burns or fire by reaching over heated surface units, cabinet storage space located above the surface units should be avoided. If cabinet storage is to be provided, the risk can be reduced by installing a rangehood that projects horizontally a minimum of 5" (127mm) beyond the bottom of the overhead cabinets.

During installation, please ensure the following:

- Seal the exposed bare edges of the cutout with an oil-based paint or moisture-proof polyurethane to prevent possible moisture creeping between the cooktop trim and the countertop.
- Take extreme care not to chip, crack, or break the top glass surfaces during installation. A heavy metal tool or part accidentally dropped on the glass could damage it.
- If, after following the instructions given, correct performance cannot be achieved, please contact your nearest Fisher & Paykel Service Centre, Customer Care, or contact us through our local website listed at the end of this document.

MULTIPLE PRODUCT INSTALLATION

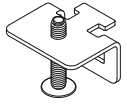


We recommend installing products in separate cutouts with a minimum distance of 3/16" (5mm) between the glass edges. If installing multiple products within the same cutout adjacent to each other, a joining strip kit is required. This kit creates a non non-visual, structural join between the two cooktops that ensures the weight of both cooktops is sufficiently supported. Joining strip kits can be purchased separately through an authorised Fisher & Paykel dealer. Visit fisherpaykel.com for more information.

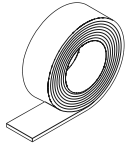
The minimum clearance measurements for different products may vary. Always use the greater distance when pairing different products (eg an induction model and wok burner model).

COMPONENTS REQUIRED

PARTS SUPPLIED

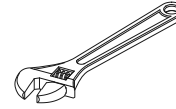


Clamping
brackets (4)
and screws
(4)

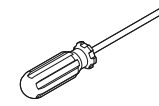


Foam tape (1)

TOOLS REQUIRED



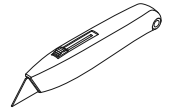
Wrench



Crosshead
screwdriver



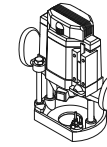
Silicone



Cutter

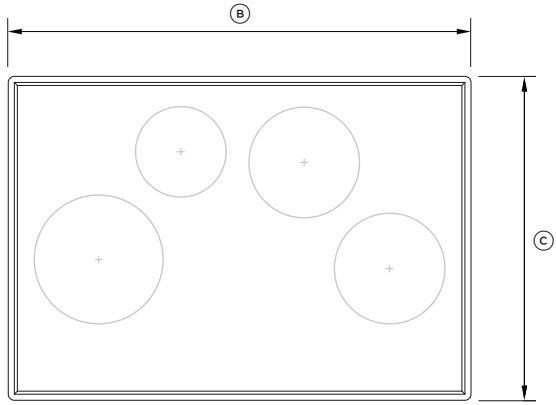


Hex key

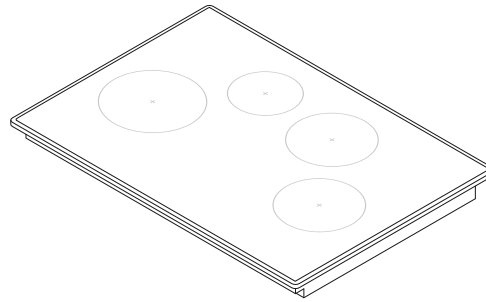


Router

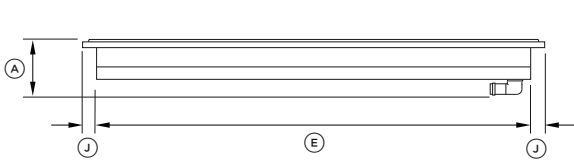
PRODUCT DIMENSIONS – 30" MODEL



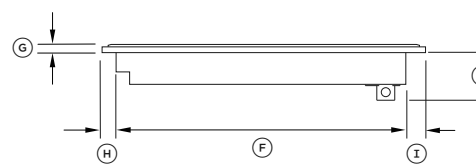
PLAN



ISOMETRIC



FRONT



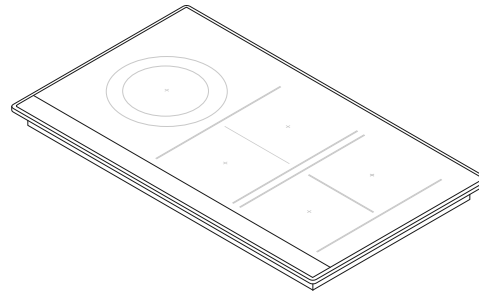
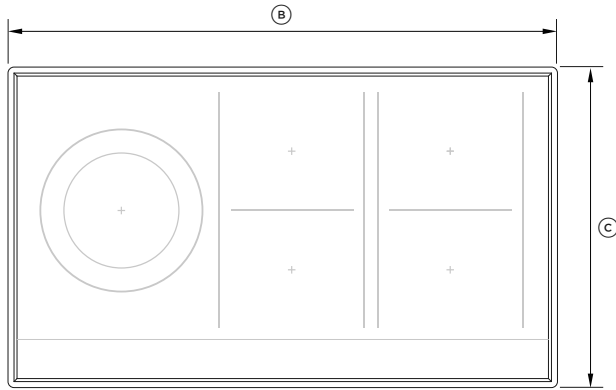
PROFILE

PRODUCT DIMENSIONS	CI304PTX	
	IN	MM
Ⓐ Overall height of cooktop*	3 13/16	97
Ⓑ Overall width of cooktop	30	762
Ⓒ Overall depth of cooktop	21	533
Ⓓ Height of chassis	3 1/4	83
Ⓔ Width of chassis	28 3/8	720
Ⓕ Depth of chassis	19	482
Ⓖ Height of cooktop glass**	9/16	14
Ⓗ Depth of front overhang of cooktop	13/16	21
Ⓘ Depth of rear overhang of cooktop	1 1/4	31
⓵ Depth of side overhang of cooktop	13/16	21

*Including conduit junction

**Including flange and tape

PRODUCT DIMENSIONS — 36" MODEL



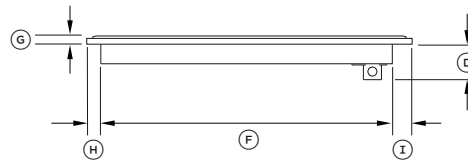
Ⓐ

PLAN

ISOMETRIC



FRONT



PROFILE

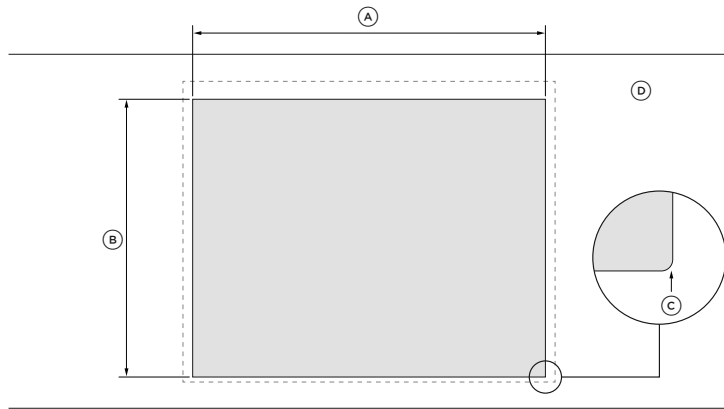
PRODUCT DIMENSIONS	CI365PTX	
	IN	MM
Ⓐ Overall height of cooktop*	3 7/16	87
Ⓑ Overall width of cooktop	35 3/8	914
Ⓒ Overall depth of cooktop	21	533
Ⓓ Height of chassis	2 7/8	73
Ⓔ Width of chassis	33 11/16	856
Ⓕ Depth of chassis	19 1/8	486
Ⓖ Height of cooktop glass**	9/16	14
Ⓗ Depth of front overhang of cooktop	13/16	21
Ⓘ Depth of rear overhang of cooktop	1	26
Ⓝ Depth of side overhang of cooktop	1 1/8	29

*Including conduit junction

**Including flange and tape

CUTOUT DIMENSIONS

30" MODEL

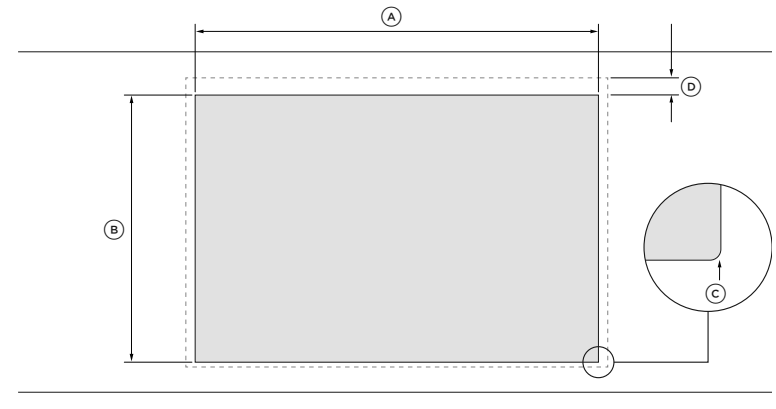


PLAN

FRONT

CUTOUT DIMENSIONS	C1304PTX	
	IN	MM
(A) Overall width of cutout	28 3/4	730
(B) Overall depth of cutout	19 5/16	490
(C) Corner radius of cutout	max 3/8	max 10
(D) Offset overhang allowance	1 9/16	39

36" MODEL

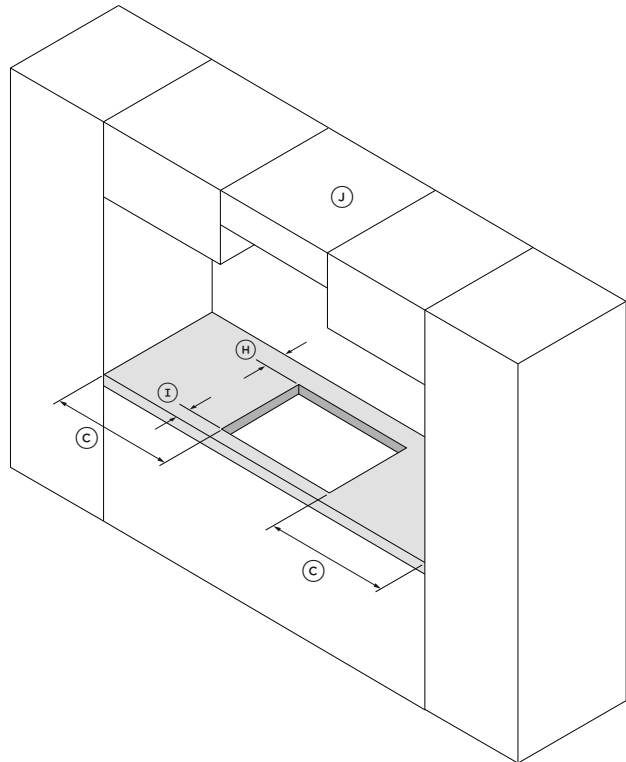
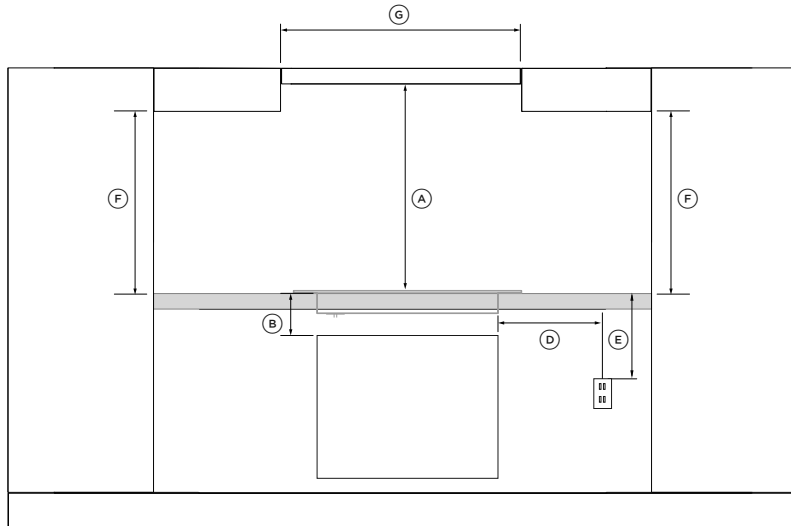


PLAN

FRONT

CUTOUT DIMENSIONS	C1365PTX	
	IN	MM
(A) Overall width of cutout	34 1/4	870
(B) Overall depth of cutout	19 7/16	494
(C) Corner radius of cutout	max 3/8	max 10
(D) Offset overhang allowance	1 3/8	35

CLEARANCE DIMENSIONS — 30" MODEL



Combustible surface

Any materials of a building structure or decorative structure made of wood, compressed paper, plant fibres, vinyl/plastic or other materials that are capable of transferring heat or being ignited and burned. Such material shall be considered combustible even though flame-proofed, fire-retardant treated or surface-painted, or plastered.

CLEARANCE DIMENSIONS	CI304PTX	
	IN	MM
(A) Minimum clearance from glass surface to: <ul style="list-style-type: none"> • Unprotected overhead cabinet centered above cooktop** • Protected overhead cabinet centered above cooktop** • Range hood** 	30 24 25 5/8	762 610 650
(B) Minimum clearance below top of countertop to top of any appliance, companion product or obstruction below cooktop***	3 3/8	85
(C) Minimum clearance from side edges of cutout to nearest combustable surface	1 3/16	30
(D) Maximum distance from right edge of cutout to center of junction box	30	762
(E) Minimum clearance below top of countertop to junction box	9	230
(F) Minimum clearance from countertop to overhead cabinet (not directly above the cooktop)	23 1/2	450
(G) Minimum distance between overhead cabinets (centered above cooktop)	29 15/16	760
(H) Minimum clearance from rear edge of cutout to nearest combustable surface	1 1/2	39
Distance from rear edge of cooktop to nearest combustable surface (not shown)	1/2	13
(I) Minimum clearance from front edge of cutout to front edge of counter	1 3/8	35
(J) Maximum depth of overhead cabinetry	13	330

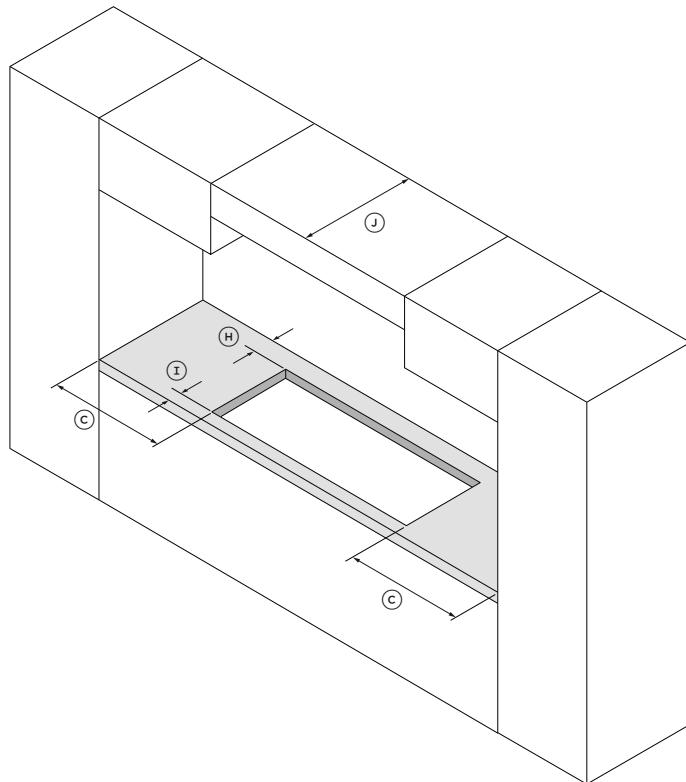
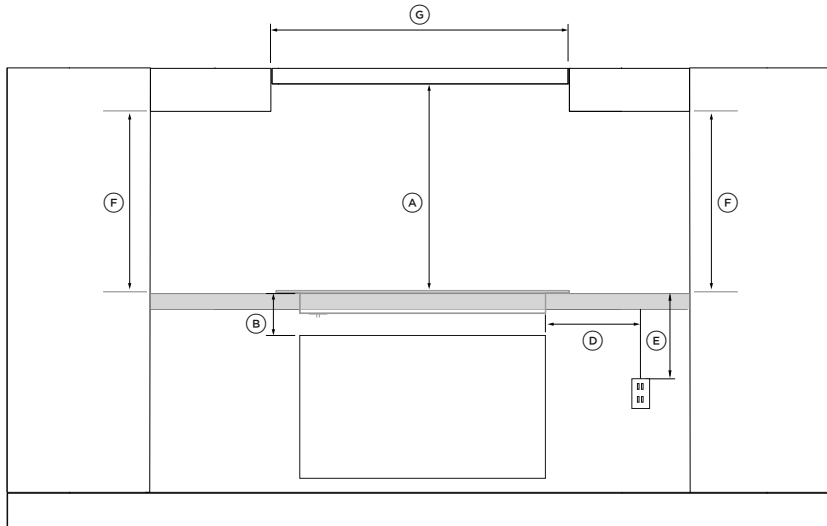
*To eliminate the risk of burns or fire by reaching over heated surface units, cabinet storage space located above the surface units should be avoided. If cabinet storage is to be provided, the risk can be reduced by installing a range hood that projects horizontally a minimum of 5" (127mm) beyond the bottom of the cabinets.

†(A) = 30" (762mm) minimum clearance between the top of the cooking surface and the bottom of an unprotected wood or metal cabinet; or (A) = 24" (610mm) minimum when bottom of wood or metal cabinet is protected by not less than 1/4"-thick flame-retardant millboard covered with not less than No. 28 MSG sheet steel, 0.015"-thick stainless steel, 0.024"-thick aluminum, or 0.020"-thick copper.

**Refer to your range hood installation guide for further details on clearances.

***Clearance stated is for proud installation of the cooktop. For flush installations, the height of the cooktop glass should be added to the clearance.

CLEARANCE DIMENSIONS — 36" MODEL



Combustible surface

Any materials of a building structure or decorative structure made of wood, compressed paper, plant fibres, vinyl/plastic or other materials that are capable of transferring heat or being ignited and burned. Such material shall be considered combustible even though flame-proofed, fire-retardant treated or surface-painted, or plastered.

CLEARANCE DIMENSIONS	CI365PTX	
	IN	MM
(A) Minimum clearance from glass surface to: <ul style="list-style-type: none"> • Unprotected overhead cabinet centered above cooktop** • Protected overhead cabinet centered above cooktop** • Range hood** 	30 24 25 5/8	762 610 650
(B) Minimum clearance below top of countertop to top of any appliance, companion product or obstruction below cooktop***	3	75
(C) Minimum clearance from side edges of cutout to nearest combustable surface	1 3/16	30
(D) Maximum distance from right edge of cutout to center of junction box	30	762
(E) Minimum clearance below top of countertop to junction box	9	230
(F) Minimum clearance from countertop to overhead cabinet (not directly above the cooktop)	23 1/2	450
(G) Minimum distance between overhead cabinets (centered above cooktop)	35 7/16	900
(H) Minimum clearance from rear edge of cutout to nearest combustable surface	1 3/8	35
Distance from rear edge of cooktop to nearest combustable surface (not shown)	1/2	13
(I) Minimum clearance from front edge of cutout to front edge of counter	1 3/8	35
(J) Maximum depth of overhead cabinetry	13	330

*To eliminate the risk of burns or fire by reaching over heated surface units, cabinet storage space located above the surface units should be avoided. If cabinet storage is to be provided, the risk can be reduced by installing a range hood that projects horizontally a minimum of 5" (127mm) beyond the bottom of the cabinets.

†(A) = 30" (762mm) minimum clearance between the top of the cooking surface and the bottom of an unprotected wood or metal cabinet; or (A) = 24" (610mm) minimum when bottom of wood or metal cabinet is protected by not less than 1/4"-thick flame-retardant millboard covered with not less than No. 28 MSG sheet steel, 0.015"-thick stainless steel, 0.024"-thick aluminum, or 0.020"-thick copper.

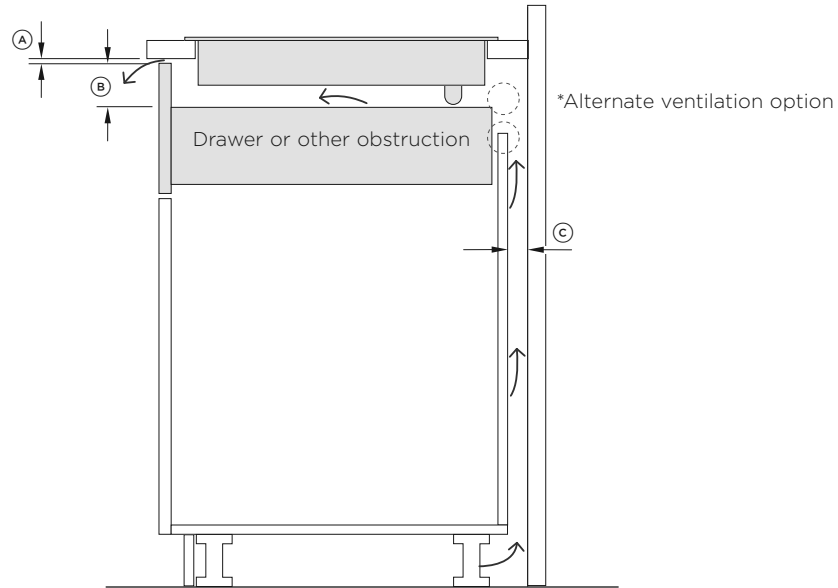
**Refer to your range hood installation guide for further details on clearances.

***Clearance stated is for proud installation of the cooktop. For flush installations, the height of the cooktop glass should be added to the clearance.

VENTING CLEARANCES

..... DRAWER OR OTHER OBSTRUCTION

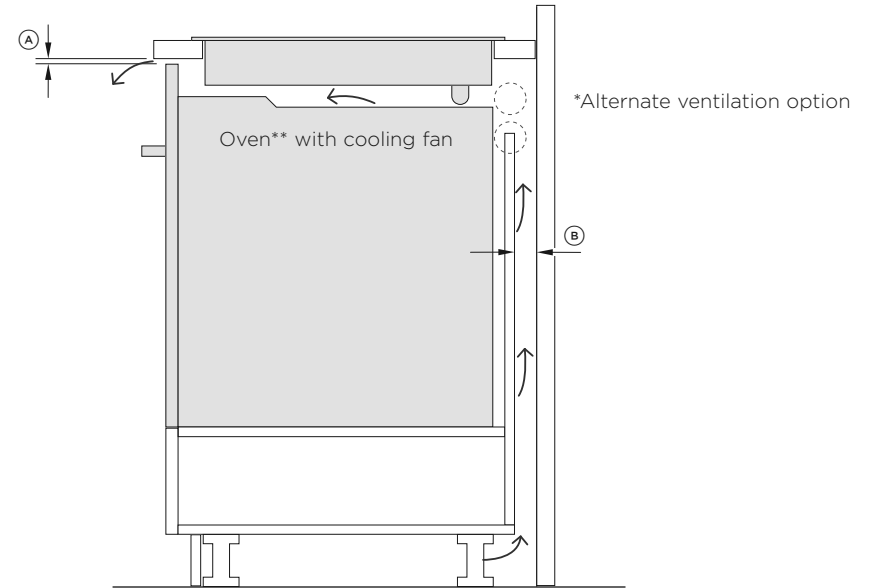
This cooktop requires adequate supply of cool air to fully function. The base of the cooktop must have direct unrestricted ventilation to the room where the cooktop is installed. There must be a 4mm air gap at the front of the cooktop.



CLEARANCE DIMENSIONS		IN	MM
Ⓐ Minimum ventilation gap at the front of the cooktop		3/16	4
Ⓑ Minimum clearance below top of countertop to top of any appliance, companion product or obstruction below cooktop	CI304PTX	3 3/8	85
	CI365PTX	3	75
Ⓒ Minimum ventilation gap at the rear of the cooktop		13/16	20

*If ventilation gap at the rear of the cooktop is not possible, add two x 2" diameter (50mm) holes in the side wall to allow adequate cooling air.

..... OVEN WITH COOLING FAN



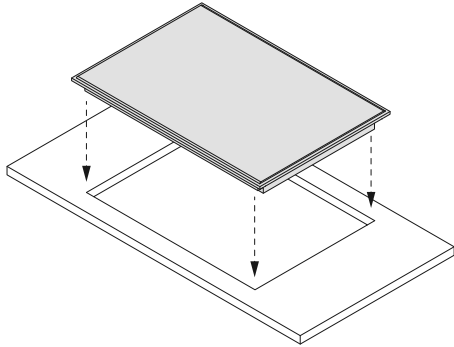
CLEARANCE DIMENSIONS		IN	MM
Ⓐ Minimum ventilation gap at the front of the cooktop		3 /16	4
Ⓑ Minimum ventilation gap at the rear of the cooktop		13/16	20

*If ventilation gap at the rear of the cooktop is not possible, add two x 2" diameter (50mm) holes in the side wall to allow adequate cooling air.

**Some ovens require installation in a sealed box. Please refer you oven installation guide for more information.

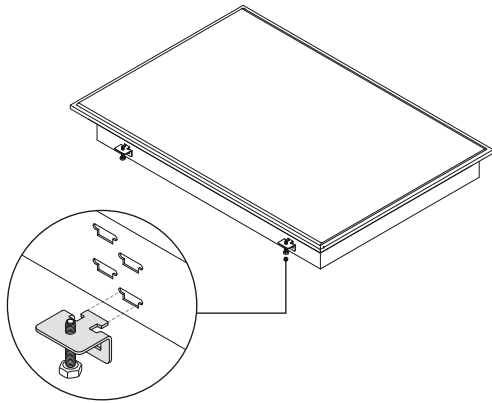
PROUD INSTALLATION

1



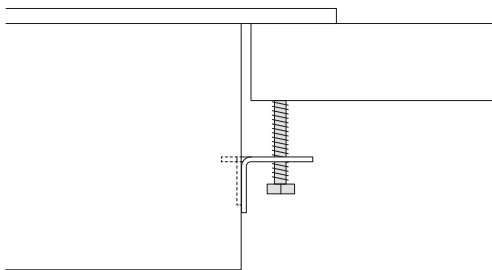
Gently lower the cooktop into the cutout ensuring you have access below the countertop to fit and secure the brackets.

2



Locate the side brackets* to the appropriate slots on the cooktop chassis. The correct slot height is determined by the thickness of your countertop.

3



Tighten all screws to secure the cooktop to the countertop. Ensure cooktop is level.

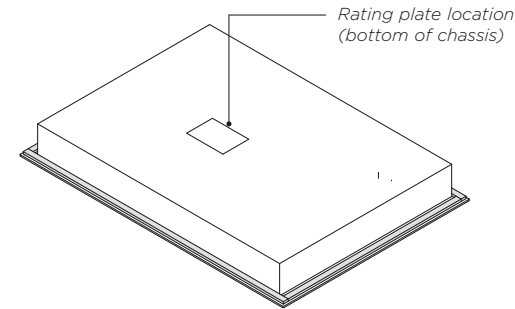
*The number of brackets varies based on your cooktop model.

ELECTRICAL CONNECTION

Before connecting the cooktop to the mains power supply check that:

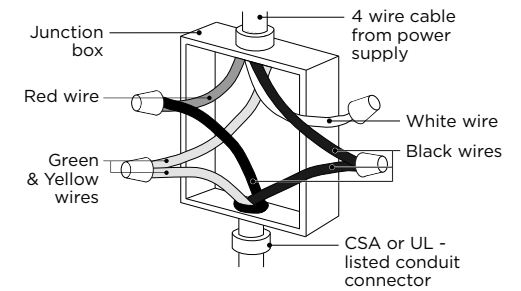
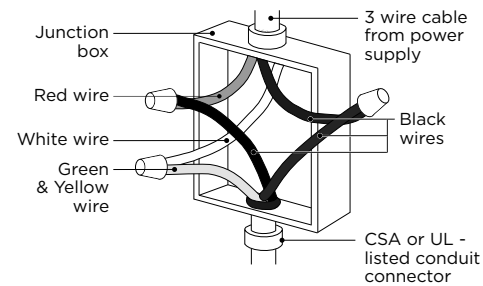
- The domestic wiring system is suitable for the power drawn by the cooktop.
- The voltage corresponds to the value given in the rating plate.
- The power supply cable sections can withstand the load specified on the rating plate.

MODEL	MAX. CURRENT DRAW	MAX. LOAD	VOLTAGE
CI304PTX	28A	6500W	208V
	32A	7400W	240V
CI365PTX	39A	9600W	208V
	45A	11000W	240V



Rating plate label can be found on the bottom of the cooktop chassis.

CI304PTX & CI365PTX MODELS



INSTALLER CHECKLIST

Read all installation guidance in this document to see if the unit has been correctly installed.
Ensure that installation has been completed correctly before use.

TO BE COMPLETED BY THE INSTALLER

Ensure that:

- Is the cooktop earthed?
- Check that there is an adequate and constant flow of cool air from the cabinetry to the base of the cooktop.
- Check that the power supply cable is not accessible via cupboard doors or drawers and that it is NOT touching the cooktop.
- Is the cooktop clamped down securely?
- Check that all the cooking zones function correctly. Turn on all of them to a high setting and leave them on for at least one minute.
- Are all elements glowing?
- Check that all the cooking zones function correctly. Place suitable pans with water in them on each zone, then turn all of them on to a high setting. Is the water heating?
- Are all touch controls and displays functioning?
- To check that the 'hot surface' indicators function correctly, turn off all the zones. Is H displayed in all the cooking zone displays?.
- Have you demonstrated the basic operation to the customer?

Explain the following to the customer:

- ① The importance of taking note of the safety warnings at the beginning of the user guide, especially for persons with pacemakers or other electrical implants.
- ② The 'hot surface' indicators.
- ③ Using induction suitable cookware only.
- ④ The pan detection feature.

Complete and keep for safe reference:

Model _____
Serial No. _____
Purchase Date _____
Purchaser _____
Dealer Address _____
Installer's Name _____
Installer's Signature _____
Installation Company _____
Installation Date _____

FISHERPAYKEL.COM

© Fisher & Paykel Appliances 2022. All rights reserved.

The models shown in this guide may not be available in all markets
and are subject to change at any time.

The product specifications in this guide apply to the specific products and
models described at the date of issue. Under our policy of continuous product
improvement, these specifications may change at any time.

For current details about model and specification availability in your country,
please go to our website or contact your local Fisher & Paykel dealer.

592124C 10.22