

FISHER & PAYKEL

BUILT-IN OVEN

OB30S & OB30D
models

INSTALLATION GUIDE

US CA

⚠ WARNING!



Electric Shock Hazard

Failure to follow this advice may result in electric shock or death.

- Before carrying out any work on the electrical section of the appliance, it must be disconnected from the mains electricity supply.
- Connection to a good earth wiring system is absolutely essential and mandatory.
- Alterations to the domestic wiring system must only be made by a qualified electrician.

⚠ WARNING!



Fire Hazard

Failure to follow this advice may result in overheating, burning, and injury.

- Do not use adapters, reducers, or branching devices to connect this appliance to the mains power supply.

⚠ WARNING!



Very Heavy

Failure to follow this advice may result in serious injury.

- Do not attempt to lift this product unassisted.

⚠ WARNING!



Cut Hazard

Failure to use caution could result in injury.

- Take care - some panel edges are sharp.

WARNING!

To avoid hazard, follow these instructions carefully before installing or using this appliance.

- Save these instructions for the local inspectors use.
- Please make this information available to the person installing the appliance—doing so could reduce your installation costs.
- This oven is to be installed and connected to the electricity supply only by an authorized person.
- If the installation requires alterations to the domestic electrical system, call a qualified electrician. The electrician should also check that the socket cable section is suitable for the electricity drawn by the oven.
- The oven must be grounded.
- Installation must comply with your local building and electricity regulations.
- This appliance must be installed and connected to the mains power supply only by a suitably qualified person according to these installation instructions and in compliance with any applicable local building and electricity regulations. Failure to install the appliance correctly could invalidate any warranty or liability claims.
- If the power supply cable is damaged, it must be replaced by the manufacturer, its service agent or similarly qualified person in order to avoid a hazard.
- A circuit breaker is recommended.
- Do not use adapters, reducers or branching devices to connect the oven to the mains electricity supply, as they can cause overheating and burning.
- Ensure the cavity is completely sealed with no gaps. This is to ensure the oven cooling system functions correctly.
- The appliance must not be installed behind a decorative door in order to avoid overheating.

Electrical requirements

- Connect oven with copper wire only.
- Do not cut the conduit.
- A U.L. listed conduit connector must be provided at the junction box.
- Do not ground to a gas pipe.
- Do not have a fuse in the grounding or neutral circuit.
- Fuse both sides of the line.
- A time delay fuse or circuit breaker is recommended. If using a time delay fuse, then fuse both sides of the line.
- Flexible armored cable from the appliance should be connected directly to the junction box.
- Connect directly to the fused disconnect (or circuit breaker box) through flexible, armored or non-metallic sheathed, copper cable (with grounding wire).
- If codes permit and a separate grounding wire is used, it is recommended that a qualified electrician determine that the grounding path and wire gauge are in accordance with local codes.

**IMPORTANT!
SAVE THESE INSTRUCTIONS**

The models shown in this installation guide may not be available in all markets and are subject to change at any time. For current details about model and specification availability in your country, please go to our website www.fisherpaykel.com or contact your local Fisher & Paykel dealer.

PARTS SUPPLIED



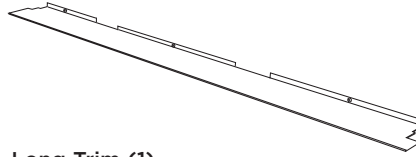
Screws

Single oven models (2)
Double oven models (4)



Spacers

Single oven models (2)
Double oven models (4)



Long Trim (1)

To be fitted in
a flush installation.

PRIOR TO INSTALLATION

IMPORTANT!

Some environmental factors and cooking habits can cause condensation in and around the oven during use. To protect surrounding cabinetry from possible damage caused by frequent or excessive condensation, we recommend moisture-proofing the oven cavity.

- the countertop and oven cavity are square and level, and are the required dimensions.
- the installation will comply with all clearance requirements and applicable standards and regulations.
- the isolating switch will be easily accessible to the customer with the oven installed.
- the electrician provides sufficient free length of power supply cable to reach from the bottom rear of the cavity to at least 1.5 metres in front of the bottom edge of the opening.
- the cable may enter the cavity from the side, top or bottom, but top entry must be at the rear of the cavity.
- the oven connection socket (if fitted) is outside the cavity if the oven is flush to the rear wall.
- the oven will rest on a surface that can support its weight.
- the height from the floor suits the customer.
- you consult local building authorities and by-laws if in doubt regarding installation.

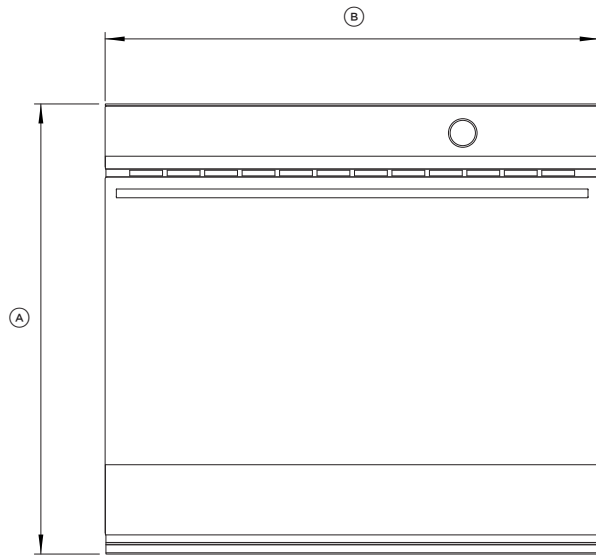
AFTER INSTALLATION

IMPORTANT!

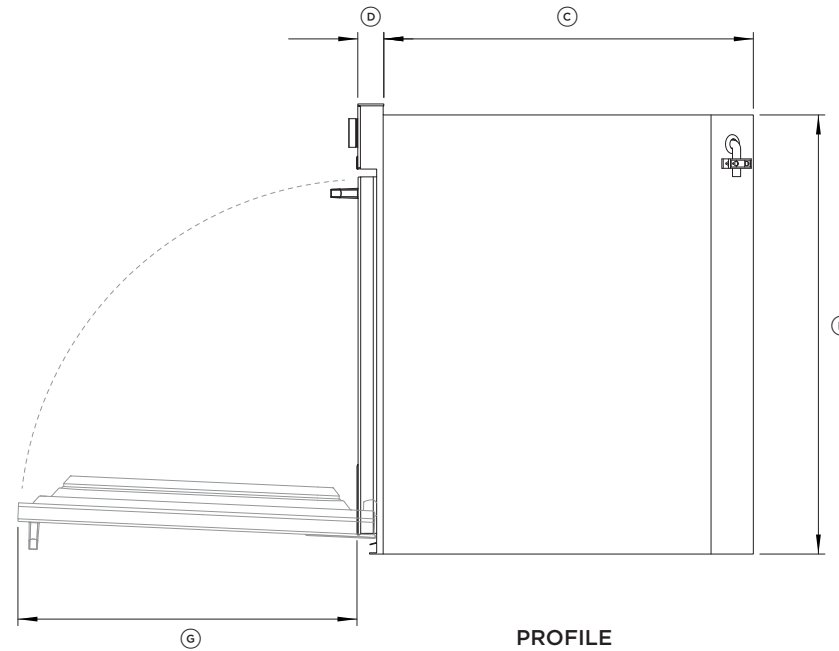
Please take extra care not to damage the lower trim of the oven during installation. The trim is important for correct air circulation and allows the door to open and close without obstruction. The manufacturer does not accept any responsibility for damage resulting from incorrect installation.

- the oven door(s) can open fully without obstruction.
- do not seal the oven into the cabinetry with silicone or glue. This makes future servicing difficult. Fisher & Paykel will not cover the costs of removing the oven, or of damage caused by this removal.
- the power supply cable does not touch any hot metal parts.
- the isolating switch is easily accessible to the customer with the oven installed.
- you complete the 'Final checklist' at the end of the installation.
- if, after following the instructions given, correct performance cannot be achieved, please contact your nearest Fisher & Paykel Authorized Service Center, Customer Care, or contact us through our local website listed at the end of this document.

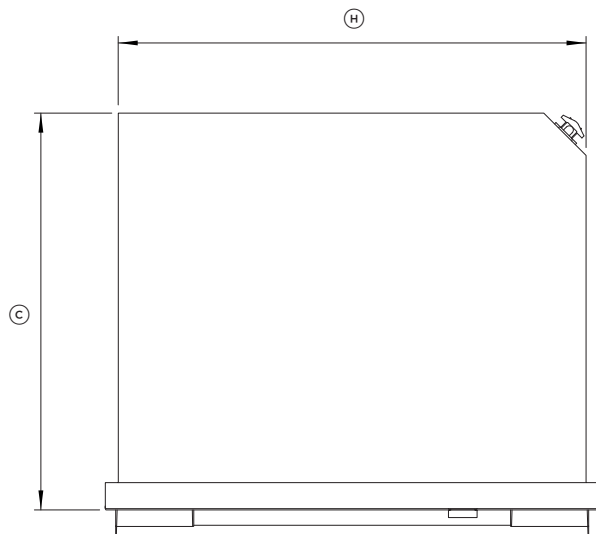
PRODUCT DIMENSIONS – SINGLE OVENS



FRONT



PROFILE

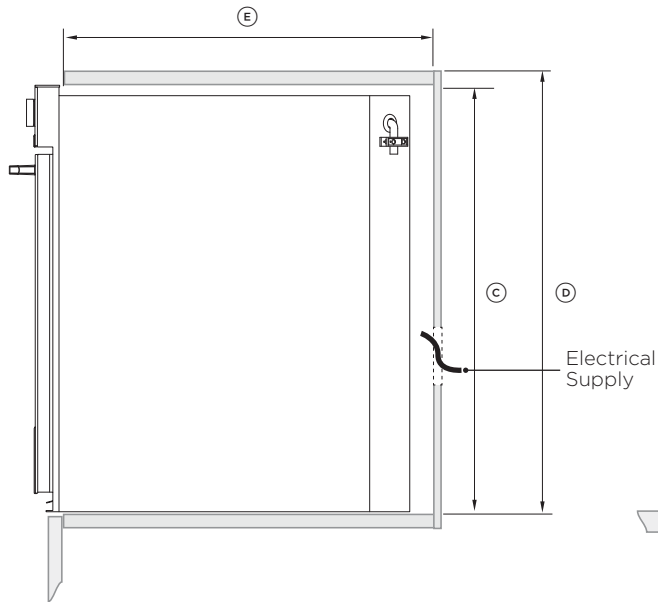


PLAN

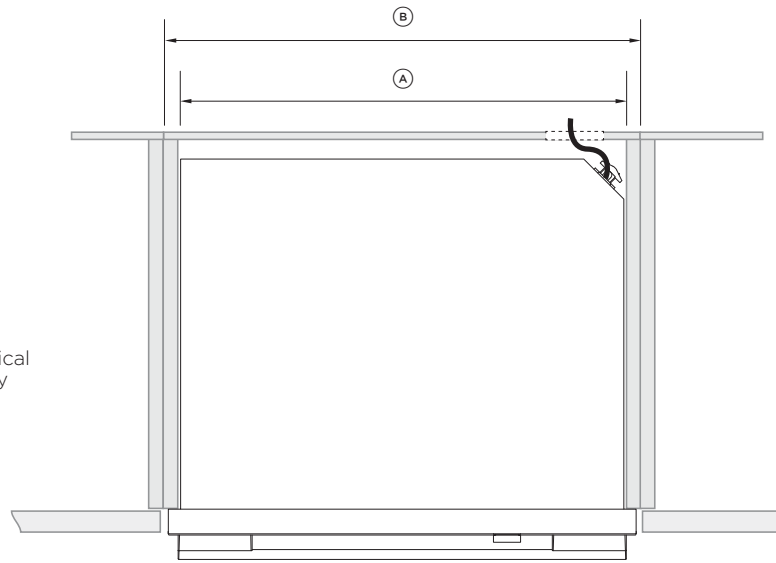
| PRODUCT DIMENSIONS | OB30S | |
|--|----------|-----|
| | INCHES | MM |
| (A) Overall height of product | 27 1/8 | 690 |
| (B) Overall width of product | 29 15/16 | 760 |
| (C) Overall depth of product (excl. handle and dials) | 23 15/16 | 610 |
| (D) Depth of oven front and control panel (excl. handle and dials) | 1 1/2 | 40 |
| (E) Depth of chassis (does not include oven front) | 22 3/8 | 569 |
| (F) Height of chassis | 26 9/16 | 675 |
| (G) Depth of door (open) (measured from front of door) | 21 5/8 | 550 |
| (H) Overall width of chassis | 28 5/16 | 720 |

Note: If flush installing, you need to replace the lower trim with the supplied long trim at the base of the oven, and the depth of the control panel (D) with the fitted spacer is larger than conventional ovens. Ensure you have created a 1 5/8" (42mm) recess in cabinetry.

CABINETY DIMENSIONS – SINGLE OVENS

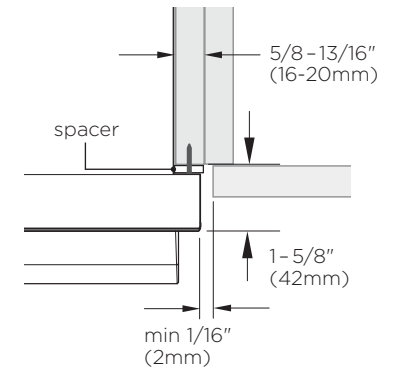


PROFILE

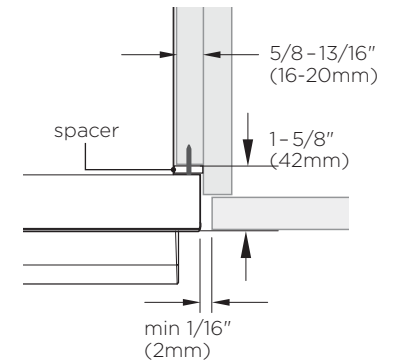


PLAN

PROUD INSTALL



FLUSH INSTALL



CABINETY DIMENSIONS

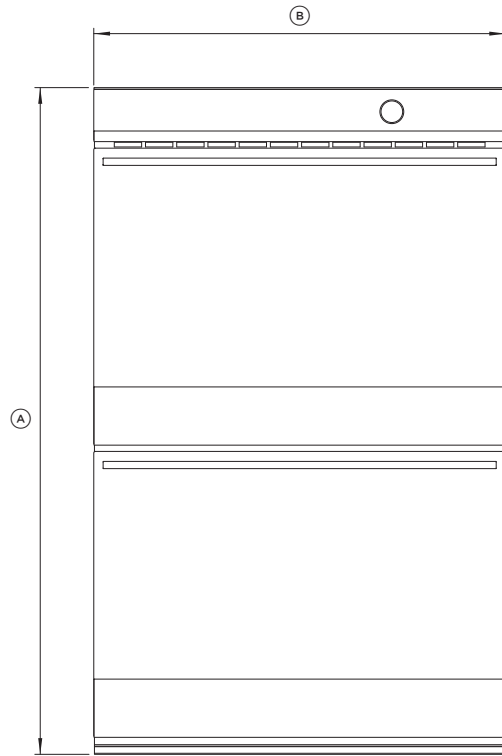
| | OB30S | |
|-----------------------------------|----------|-----|
| | INCHES | MM |
| Ⓐ Minimum inside width of cavity | 28 1/2 | 724 |
| Ⓑ Overall width of cabinetry | 30 1/8 | 764 |
| Ⓒ Minimum inside height of cavity | 26 13/16 | 681 |
| Ⓓ Overall height of cabinetry | 27 3/8 | 693 |
| Ⓔ Minimum inside depth of cavity | | |
| • Proud install | 22 5/8 | 575 |
| • Flush install | 24 3/16 | 614 |

Notes:

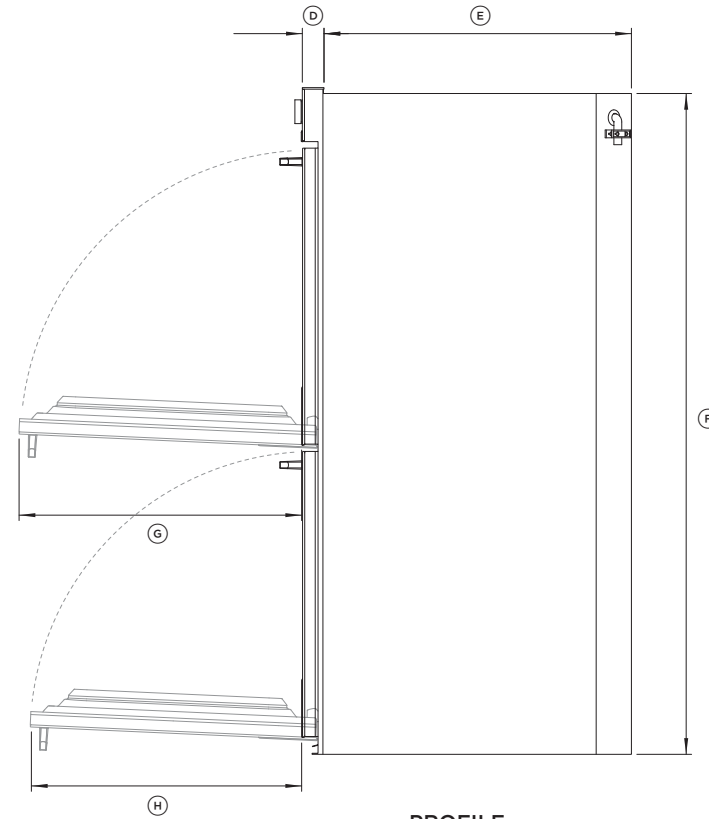
If installing a cooktop above the oven, ensure adequate clearance is provided for the cooktop as per the cooktop manufacturer's instructions.

Ensure the cavity is completely sealed with no gaps. This is to ensure the oven cooling system functions correctly.

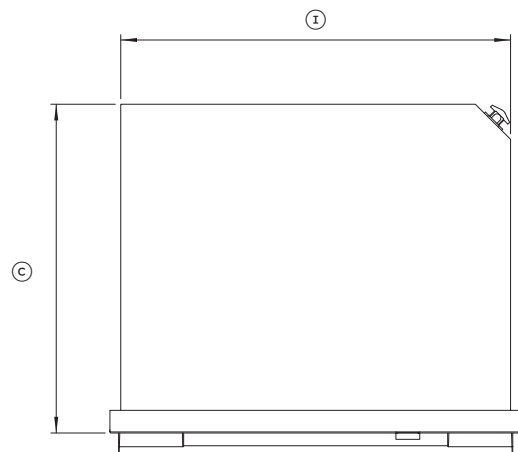
PRODUCT DIMENSIONS – DOUBLE OVENS



FRONT



PROFILE



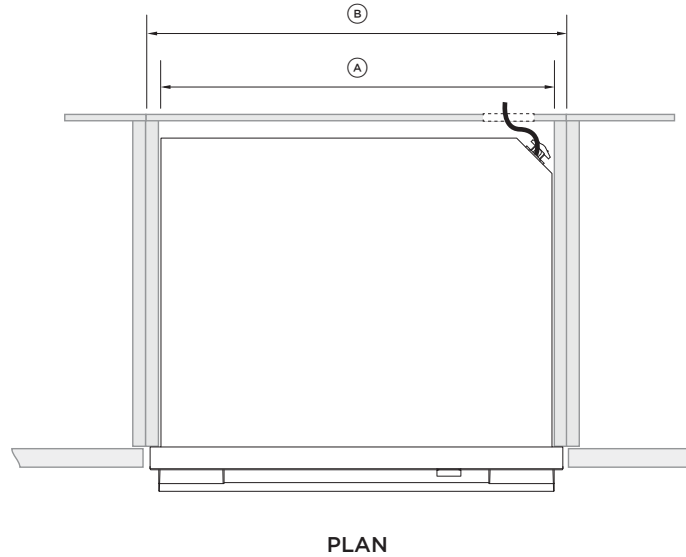
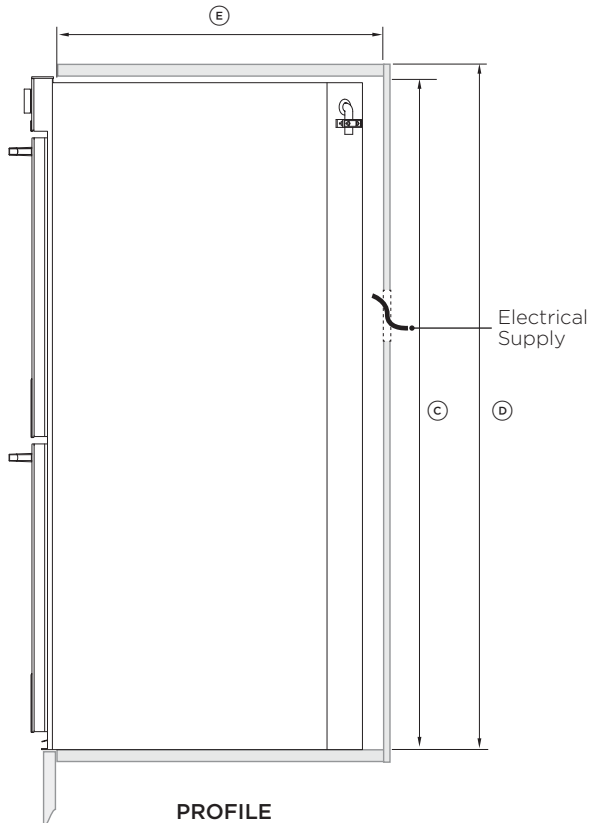
PLAN

PRODUCT DIMENSIONS

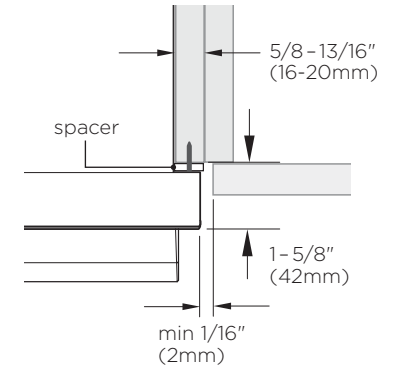
| | OB30D | |
|--|----------|------|
| | INCHES | MM |
| Ⓐ Overall height of product | 48 1/2 | 1232 |
| Ⓑ Overall width of product | 29 15/16 | 760 |
| Ⓒ Overall depth of product (excl. handle and dials) | 23 15/16 | 610 |
| Ⓓ Depth of oven front and control panel (excl. handle and dials) | 1 1/2 | 40 |
| Ⓔ Depth of chassis (does not include oven front) | 22 3/8 | 569 |
| Ⓕ Height of chassis | 47 15/16 | 1218 |
| Ⓖ Depth of upper door (open) (measured from front of door) | 21 5/8 | 550 |
| Ⓗ Depth of lower door (open) (measured from front of door) | 20 7/8 | 530 |
| Ⓘ Overall width of chassis | 28 5/16 | 720 |

Note: If flush installing, you need to replace the lower trim with the supplied long trim at the base of the oven, and the depth of the control panel Ⓒ with the fitted spacer is larger than conventional ovens. Ensure you have created a 42mm recess in cabinetry.

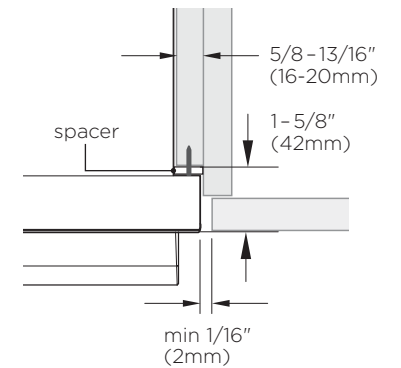
CABINETY DIMENSIONS – DOUBLE OVENS



PROUD INSTALL



FLUSH INSTALL



CABINETY DIMENSIONS

- (A) Minimum inside width of cavity
- (B) Overall width of cabinetry
- (C) Minimum inside height of cavity
- (D) Overall height of cabinetry
- (E) Minimum inside depth of cavity
 - Proud install
 - Flush install

OB30D

| | INCHES | MM |
|-------------------------------------|----------|------|
| (A) Minimum inside width of cavity | 28 1/2 | 724 |
| (B) Overall width of cabinetry | 30 1/8 | 764 |
| (C) Minimum inside height of cavity | 48 3/16 | 1224 |
| (D) Overall height of cabinetry | 48 11/16 | 1236 |
| (E) Minimum inside depth of cavity | | |
| • Proud install | 22 5/8 | 575 |
| • Flush install | 24 3/16 | 614 |

Notes:

If installing a cooktop above the oven, ensure adequate clearance is provided for the cooktop as per the cooktop manufacturer's instructions.

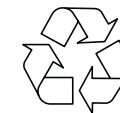
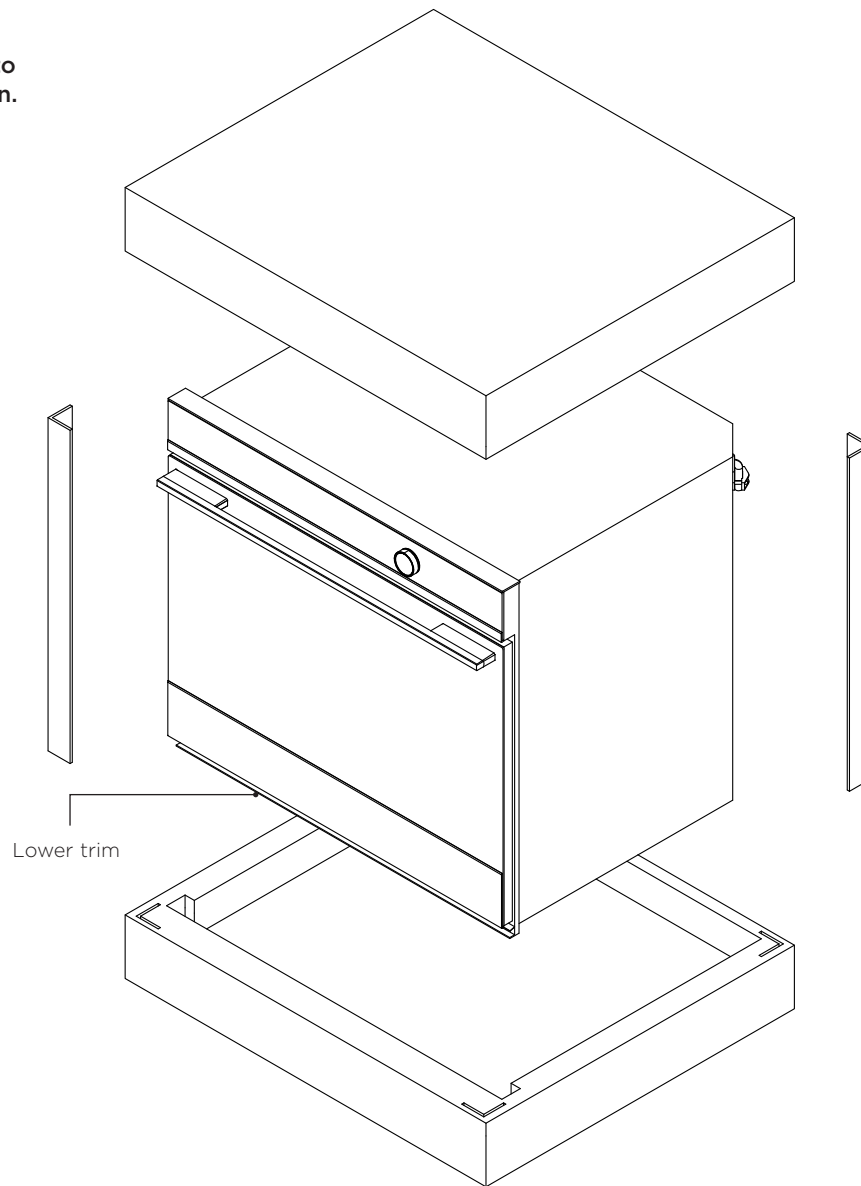
Ensure the cavity is completely sealed with no gaps. This is to ensure the oven cooling system functions correctly.

UPACKING THE OVEN

Single model shown for illustration purposes only

IMPORTANT!

- When you remove the oven from the carton be careful not to damage the lower trim. The trim is important for both ventilation and to ensure the door opens fully without obstruction.
- Ensure you remove the Long Trim from the packaging.



Remove the accessories box from the top of the oven and set aside. Recycle responsibly.

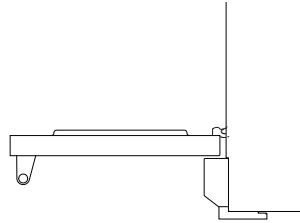
REMOVING AND REFITTING THE DOOR(S)

IMPORTANT!

- Take care, the oven door is heavy.
- Do not lift the oven door by its handle. Doing so may damage the door.
- Ensure the oven and the door are cool before you begin to remove the door.
- Before removing the door, ensure there is a large enough clear, protected surface in the kitchen to rest the door on.

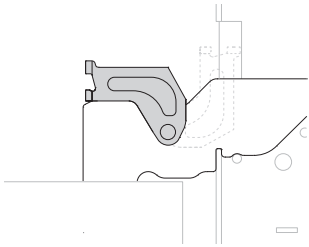
To remove the door(s)

①



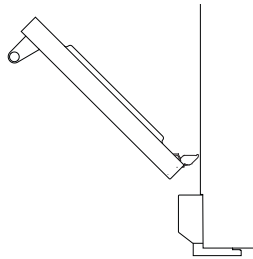
Open the door completely.

②



Open the hinge locks fully on both sides

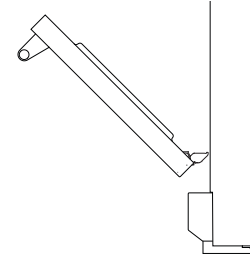
③



Holding the door on both sides, lift door back up to 45° and carefully pull the door out and away from the hinges.

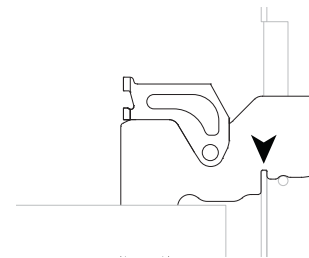
To refit the door(s)

①



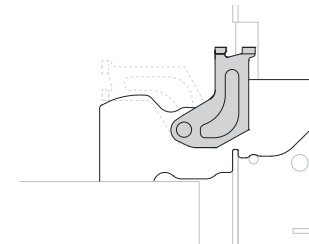
Holding the door at 45°, carefully align the hinge tongues with the hinge slots. Push the door in until you feel the latches locate into position on each side.

②



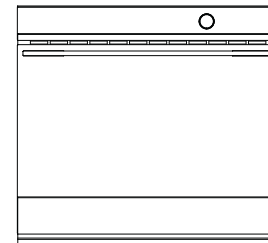
Open the door completely and ensure both hinges are secured by the correct notches.

③



Rotate the locks up into the closed position ensuring they rest inside the slots completely. Note: Incorrect installation will prevent door from correctly sealing.

④



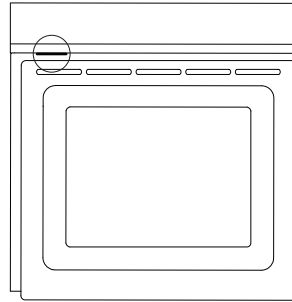
Close the oven door ensuring that when closed, the door is vertical and parallel to any surrounding cabinetry

ELECTRICAL CONNECTION TO JUNCTION BOX

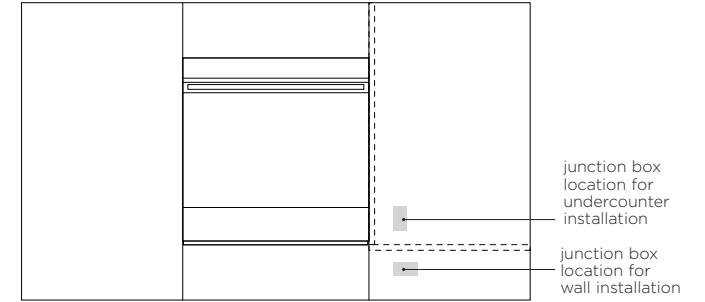


| MODEL | VOLTAGE | MAX CURRENT DRAW | MAX LOAD |
|-------------|---------|------------------|----------|
| OB30 Single | 208 V | 16.6 A | 3.5 kW |
| | 240 V | 19.4 A | 4.6 kW |
| OB30 Double | 208 V | 33.2 A | 7.0 kW |
| | 240 V | 38.3 A | 9.2 kW |

Nameplate location

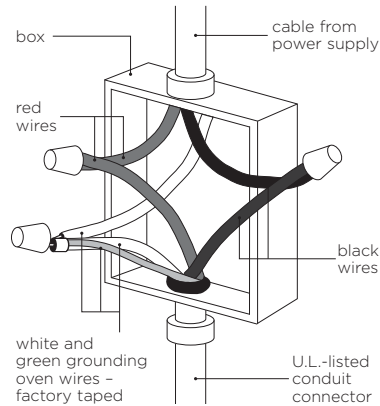


Junction box locations



Connection methods

A



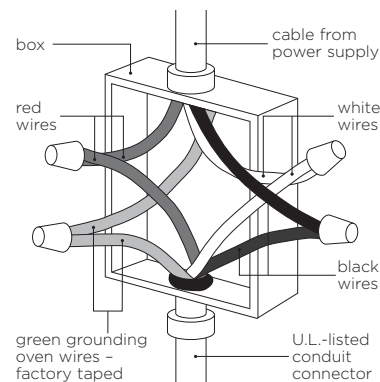
If local codes permit connecting the cabinet-grounding conductor to the neutral (white) wire in the junction box:

- ① Disconnect the power supply.
- ② Remove the junction box cover.
- ③ Connect the oven cable to the junction box through the U.L. listed conduit connector.
- ④ Connect the two black wires together with twist-on connectors.
- ⑤ Connect the two red wires together with twist-on connectors.
- ⑥ Connect electrical connection according to local codes and ordinances.
- ⑦ Connect the factory-taped green and white oven cable wires to the neutral (white) wire in the junction box.
- ⑧ Replace the junction box cover.

If local codes DO NOT PERMIT connecting the cabinet-grounding conductor to the neutral (white) wire in junction box:

- ① Disconnect the power supply.
- ② Remove the junction box cover.
- ③ Connect the oven cable to the junction box through the U.L.-listed conduit connector.
- ④ Connect the two black wires together with twist-on connectors.
- ⑤ Connect the two red wires together with twist-on connectors.
- ⑥ Connect electrical connection according to local codes and ordinances.
- ⑦ Separate the factory-taped green and white oven cable wires.
- ⑧ Connect the white oven cable wire to the neutral (white) wire in junction box.
- ⑨ Connect the green grounding oven cable wire to a grounded wire in the junction box.
- ⑩ Replace the junction box cover.

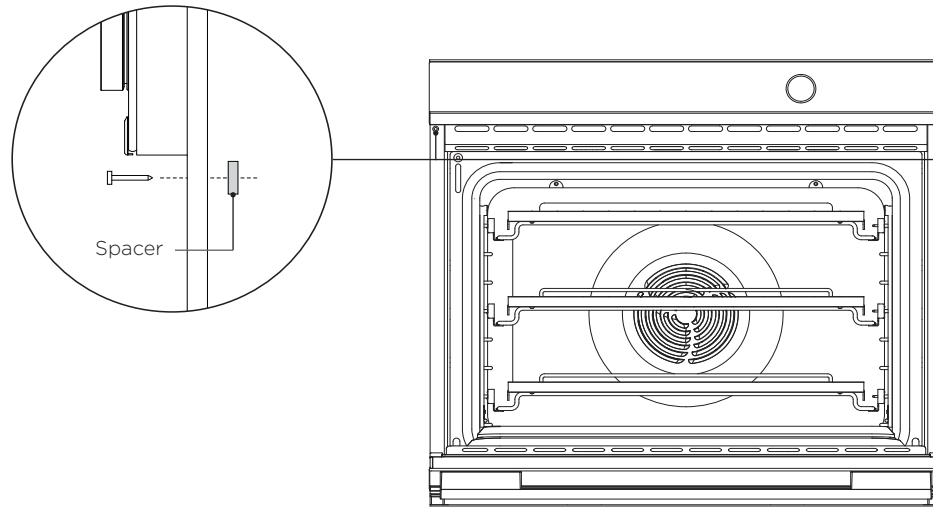
B



Four-wire electrical system

- ① Disconnect the power supply.
- ② Remove the junction box cover.
- ③ Connect the oven cable to the junction box through the U.L.-listed conduit connector.
- ④ Connect the two black wires together with twist-on connectors.
- ⑤ Connect the two red wires together with twist-on connectors.
- ⑥ Connect electrical connection according to local codes and ordinances.
- ⑦ Separate the green and white oven cable wires.
- ⑧ Connect the white oven cable wire to the neutral (white) wire in junction box.
- ⑨ Connect the green grounding oven cable wire to the (green) grounding wire in the junction box. Do not connect the green grounding wire to the neutral (white) wire in junction box.
- ⑩ Replace the junction box cover.

SECURE THE OVEN TO THE CABINERY

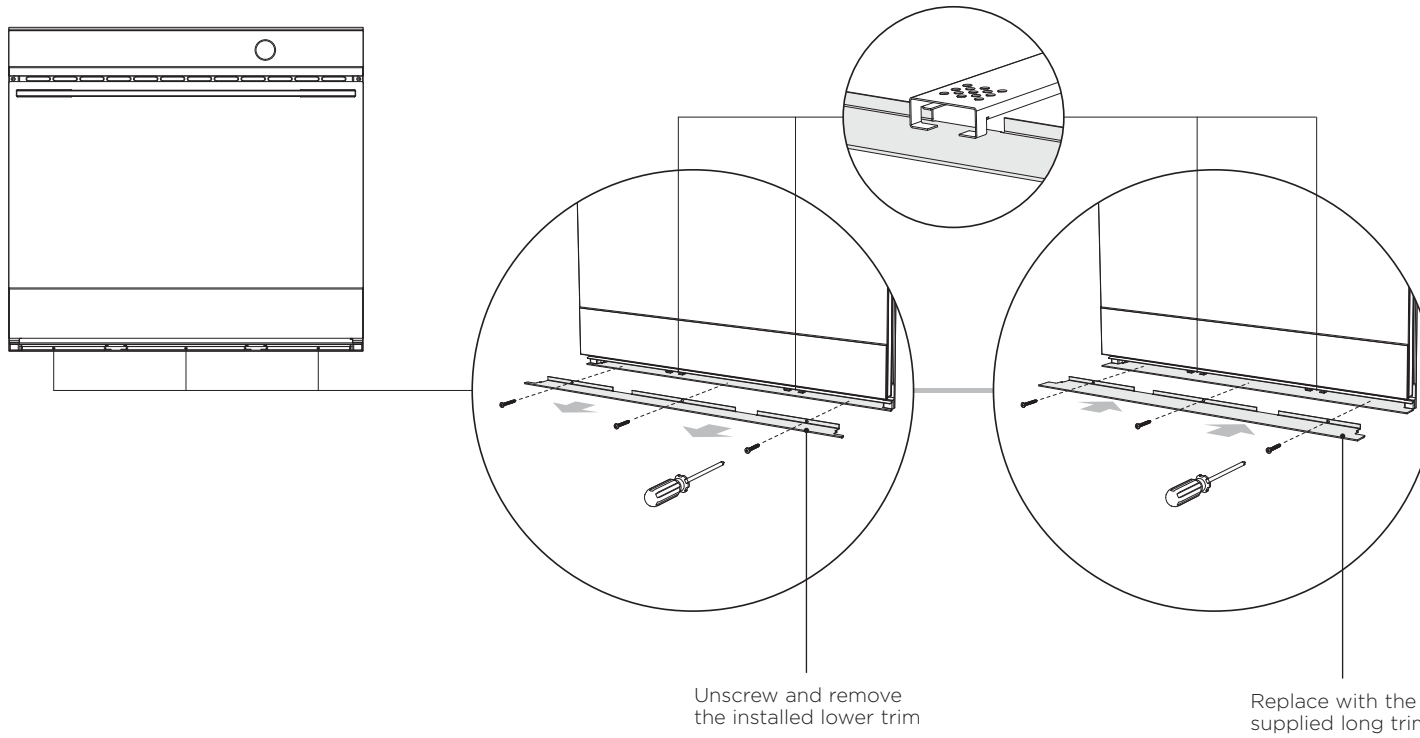


IMPORTANT!

- Do not lift the oven by the door handle.
- Do not over-tighten the screws.
- Do not seal the oven into the cabinetry with silicone or glue. This makes future servicing difficult. Fisher & Paykel will not cover the costs of removing the oven, or of damage caused by this removal.

- ① Position the oven in the prepared cavity.
- ② Open the oven door fully.
- ③ Mark and pre-drill the screw holes.
- ④ Use the supplied screws to secure the oven to the cabinetry. Ensure supplied spacer is fitted between oven and cabinetry.

FLUSH INSTALLATION ONLY – REPLACE THE LOWER TRIM WITH THE SUPPLIED LONG TRIM



FINAL CHECKLIST

TO BE COMPLETED BY THE INSTALLER

- Ensure the oven is level and securely fitted to the cabinetry.
- Check the lower trim is undamaged.
- Open the oven door slowly until it is fully open and check there is adequate clearance between the bottom of the door and the lower trim. This is to ensure correct air circulation. Should the lower trim become damaged, straighten the trim and ensure the oven door opens fully without obstruction.
- Ensure you remove all internal packaging (including the circular yellow packing retainers holding the accessory box in place).
- Ensure all oven vents and openings are clear and free of any obstruction or damage.

IMPORTANT!

Failure to ensure all oven vents are clear may result in poor product performance.

- Ensure the isolating switch is accessible by the customer.

TEST OPERATION:

- Turn the power to the oven on. The display should light up.
- Set the clock following the instructions in the 'User guide'.
- Set the oven to Bake at 120°F (50°C). The light should come on inside the oven cavity and air should blow out of the vent at the top of the oven. After five minutes, open the oven door: the air inside should feel warm. Turn the oven off.
- Have you demonstrated the basic operation to the customer?

Complete and keep for safe reference:

Model _____

Serial No. _____

Purchase Date _____

Purchaser _____

Dealer Address _____

Installer's Name _____

Installer's Signature _____

Installation Company _____

Installation Date _____

FISHERPAYKEL.COM

© Fisher & Paykel Appliances 2019. All rights reserved.
The product specifications in this document apply to the specific products and models described at the date of issue. Under our policy of continuous product improvement, these specifications may change at any time. You should therefore check with your Dealer to ensure this booklet correctly describes the product currently available.

US CA

591977A 07.19

FISHER & PAYKEL

FOUR ENCASTRÉ

OB30S & OB30D

Modèles

GUIDE D'INSTALLATION

US CA

⚠ MISE EN GARDE!



Risque de chocs électriques

Le non respect de ces conseils peut entraîner un choc électrique ou la mort.

- Avant d'effectuer des travaux sur la partie électrique de l'appareil, il doit être débranché de l'alimentation secteur de l'électricité.
- Connexion à un bon système de câblage de la terre est absolument essentiel et obligatoire.
- Les modifications apportées au système de câblage domestique ne doivent être effectués par un électricien qualifié.

⚠ MISE EN GARDE!



Risque d'incendie

Le non respect de ces conseils peut entraîner une surchauffe, des brûlures ou un incendie.

- N'utilisez pas d'adaptateurs, réducteurs, ou des dispositifs de branchement pour brancher cet appareil à l'alimentation secteur.

ATTENTION!

Pour éviter les dangers, suivez attentivement ces instructions avant d'installer ou d'utiliser cet appareil.

- Conservez ces instructions afin de pouvoir les mettre à la disposition de l'inspecteur local.
- Pour éviter les dangers, observez minutieusement ces instructions avant d'installer ou d'utiliser l'appareil.
- Veuillez mettre ces renseignements à la disposition de l'installateur afin d'éviter des coûts d'installation exorbitants.
- Ce four doit être installé et raccordé aux installations électriques par un personnel qualifié seulement.
- Si l'installation exige la modification du système électrique de votre résidence, faites appel à un électricien qualifié. L'électricien doit également s'assurer que le connecteur de câble convient à la puissance électrique du four.
- Le four doit être mis à la terre.
- L'installation doit être conforme aux codes du bâtiment et de l'électricité de votre région.

⚠ MISE EN GARDE!



Très lourd

Vous pourriez vous blesser gravement.

- Ne tentez pas de soulever cet appareil seul.

⚠ MISE EN GARDE!



Risque de coupure

Le non respect de ces instructions peut causer des blessures ou des coupures.

- Attention, le bord des panneaux est tranchant.

- Cet appareil doit être installé et connecté à l'alimentation secteur que par une personne qualifiée conformément à ces instructions d'installation et dans le respect des réglementations locales applicables en matière de construction et d'électricité. Ne pas installer l'appareil correctement pourrait invalider toutes les réclamations de garantie ou de responsabilité.
- Si le câble d'alimentation est endommagé, il doit être remplacé par le fabricant, son agent de service ou une personne de qualification similaire afin d'éviter un danger.
- Un disjoncteur est recommandé.
- N'utilisez pas d'adaptateurs, réducteurs ou des dispositifs de branchement pour relier le four au réseau électrique, car ils peuvent provoquer une surchauffe et de brûlure.
- Assurez-vous que la cavité est entièrement scellée et qu'elle ne présente aucun dégagement. Il s'agit d'assurer les fonctions du système de refroidissement du four correctement.
- L'appareil ne doit pas être installé derrière une porte décorative pour éviter une surchauffe.

Exigences électriques

- Utilisez uniquement des conducteurs en cuivre.
- Ne coupez pas le conduit.
- Un connecteur homologué UL doit être installé dans la boîte de jonction.
- Ne branchez pas le fil de mise à la terre à une conduite de gaz.
- N'installez aucun fusible au conducteur de mise à la terre ni au circuit neutre.
- Protégez les deux phases de l'alimentation par un fusible.
- Un fusible à fusion lente ou un disjoncteur est recommandé. Si vous utilisez un fusible à fusion lente, installez un fusible aux deux phases.
- Le câble à armature flexible doit être raccordé directement à la boîte de jonction.
- Raccordez-le directement au circuit à fusible (ou au boîtier de disjoncteurs) au moyen d'un conducteur en cuivre à armature flexible ou gainé (avec fil de mise à la terre).
- Si le code le permet et qu'un fil de mise à la terre distinct est utilisé, il est recommandé de faire appel à un électricien qualifié qui déterminera si la course de la mise à la terre et le calibre de fil répondent aux codes locaux.

PIÈCES FOURNIES



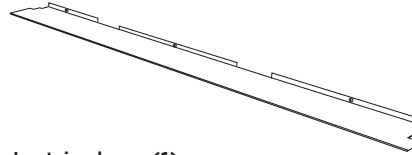
Visser

Pour les modèles de fours
simples (2)
Pour modèles de fours
doubles (4)



Entretoises

Pour les modèles de fours
simples (2)
Pour modèles de fours
doubles (4)



Le trim long (1)

Pour être monté dans
un montage encastré

AVANT L'INSTALLATION

IMPORTANT!

Certains facteurs environnementaux et les habitudes de cuisson peuvent provoquer de la condensation à l'intérieur et autour du four pendant l'utilisation. Pour protéger les armoires entourant d'éventuels dommages provoqués par la condensation fréquente ou excessive, nous vous recommandons étanche à l'humidité de la cavité du four.

- le comptoir et la cavité du four sont d'aplomb et de niveau, et sont de la dimension prescrite.
- l'installation sera conforme à toutes les exigences de dédouanement et les normes et règlements en vigueur.
- le sectionneur sera facilement accessible au client avec le four installé.
- l'électricien fournit longueur libre suffisante de câble d'alimentation pour atteindre de l'arrière fond de la cavité à au moins 1,5 mètres en avant du bord inférieur de l'ouverture. Le câble peut entrer dans la cavité du côté, en haut ou en bas, mais en haut entrée doit être à l'arrière de la cavité.
- la prise de raccordement du four (le cas échéant) est en dehors de la cavité si le four est au ras de la paroi arrière.
- le four reposera sur une surface de niveau capable de supporter le poids de l'appareil.
- la hauteur depuis le plancher est adaptée à l'utilisateur.
- consulter les autorités locales de construction et les règlements en cas de doute concernant l'installation.

APRÈS L'INSTALLATION

IMPORTANT!

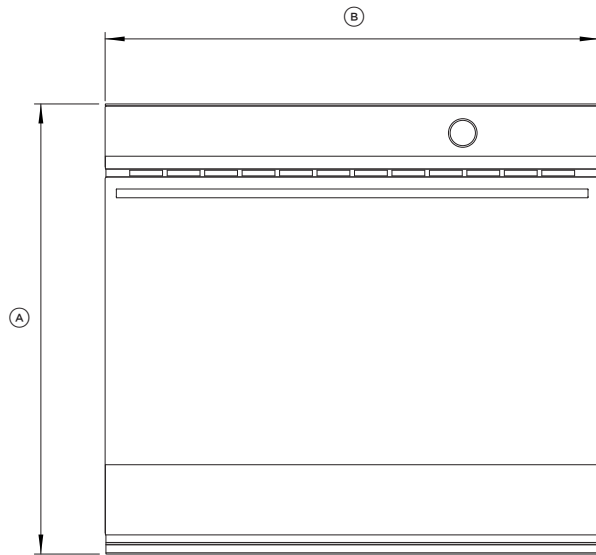
S'il vous plaît prendre soin de ne pas endommager la garniture inférieure du four lors de l'installation. La garniture est important pour la circulation de l'air correcte et permet à la porte pour ouvrir et fermer sans obstruction. Le fabricant décline toute responsabilité pour les dommages résultant d'une mauvaise installation.

- la porte du four peut s'ouvrir entièrement sans obstruction.
- N'appliquez aucune silicone ni colle pour sceller le four dans le module. Cette façon de faire rendrait difficile l'exécution de services d'entretien. Fisher & Paykel ne couvre pas les coûts de dépose du four ni les dommages causés par le retrait du four du module.
- le câble d'alimentation ne touche pas toutes les pièces métalliques chaudes.
- le sectionneur est facilement accessible pour le client avec le four installé.
- vous remplissez la liste de contrôle finale »à la fin de l'installation.
- Si, après avoir suivi les instructions données, le bon fonctionnement ne peut pas être atteint, s'il vous plaît contacter votre plus proche Fisher & Paykel center de service agréé, service à la clientèle, ou nous contacter via notre site web local figurant à la fin de ce document.

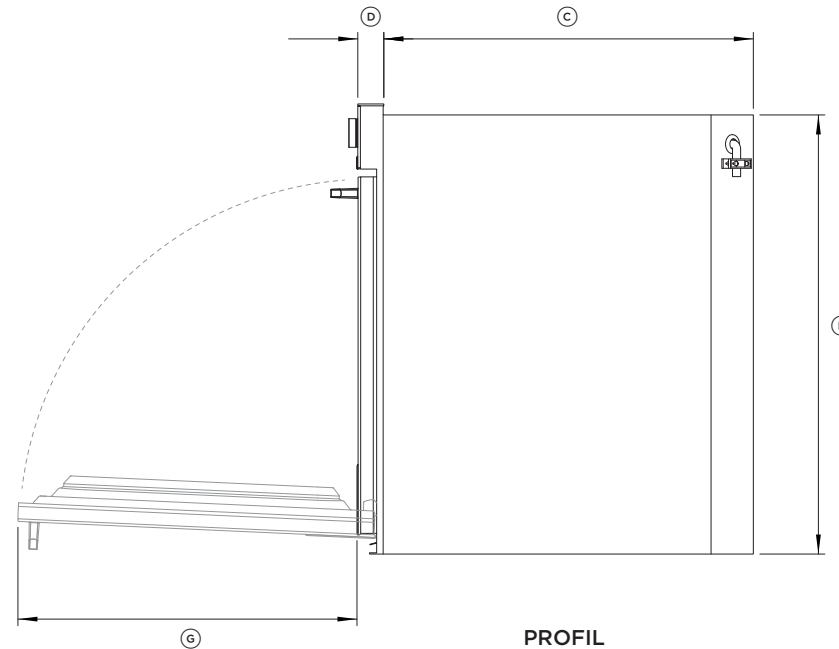
IMPORTANT! CONSERVER CES INSTRUCTIONS

Les modèles présentés dans ce guide d'installation ne soient pas disponibles sur tous les marchés et sont susceptibles de changer à tout moment. Pour les plus récentes sur les modèles et les spécifications offerts dans votre pays, s'il vous plaît visitez notre site Web www.fisherpaykel.com ou contactez votre revendeur Fisher & Paykel local.

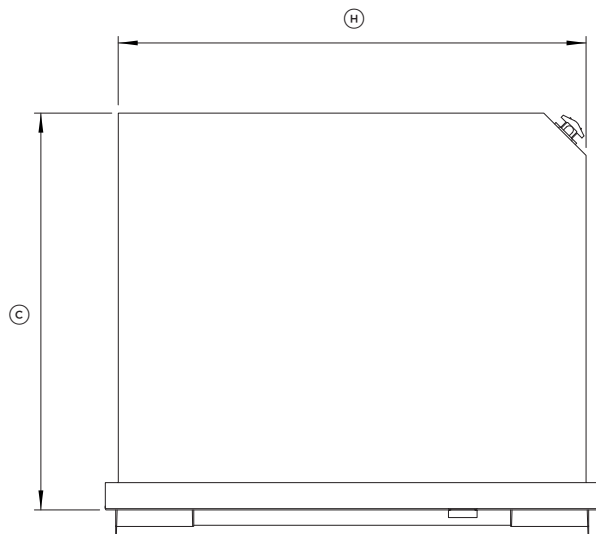
DIMENSIONS DU PRODUIT - FOURS SIMPLES



AVANT



PROFIL



PLAN

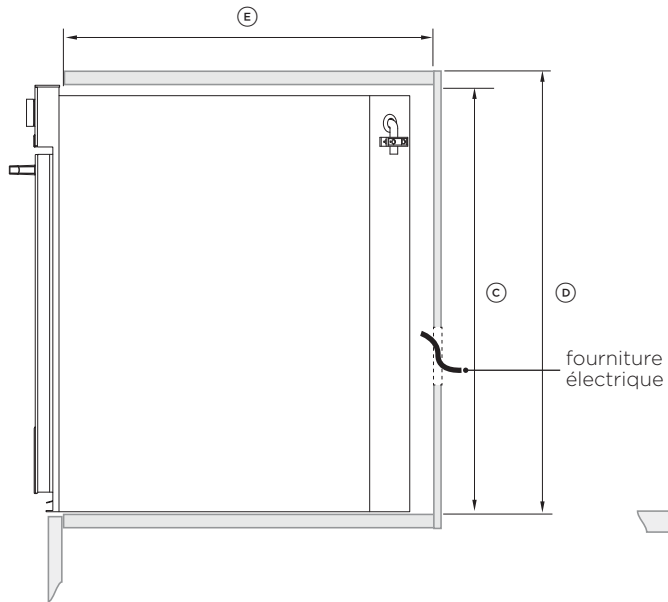
DIMENSIONS DU PRODUIT

| | POUCES | MM |
|---|----------|-----|
| Ⓐ Hauteur hors tout de l'appareil | 27 1/8 | 690 |
| Ⓑ Largeur hors tout de l'appareil | 29 15/16 | 760 |
| Ⓒ Profondeur hors tout de l'appareil (sans la poignée) | 23 15/16 | 610 |
| Ⓓ Profondeur du cadre de four et du panneau de commande (à l'exclusion des boutons) | 1 1/2 | 40 |
| Ⓔ Profondeur du châssis | 22 3/8 | 569 |
| Ⓕ Hauteur du châssis | 26 9/16 | 675 |
| Ⓖ Profondeur de la porte du four (ouverte) (mesurée à partir de l'avant du cadre de four) | 21 5/8 | 550 |
| Ⓗ Largeur du châssis | 28 5/16 | 720 |

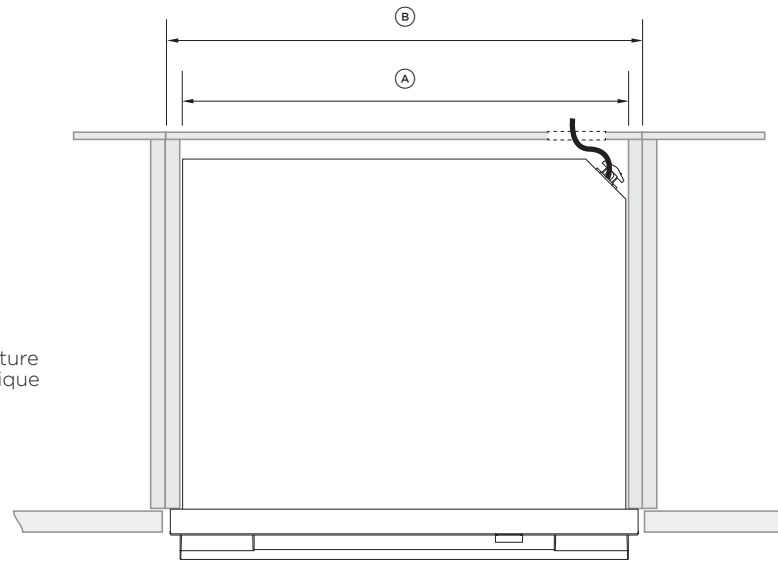
OB30S

Remarque : Si l'installation est affleurante, vous devez remplacer la garniture inférieure par la garniture longue fournie à la base du four. La profondeur du panneau de commande Ⓒ avec l'entretoise installée est plus grande que celle des fours traditionnels. Assurez-vous d'avoir créé un évidement de 42 mm (1 5/8 ") dans les armoires.

DIMENSIONS ARMOIRE - FOURS SIMPLES

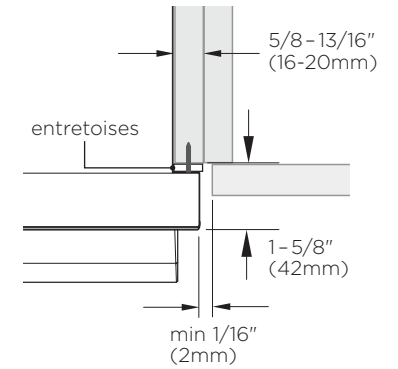


PROFIL

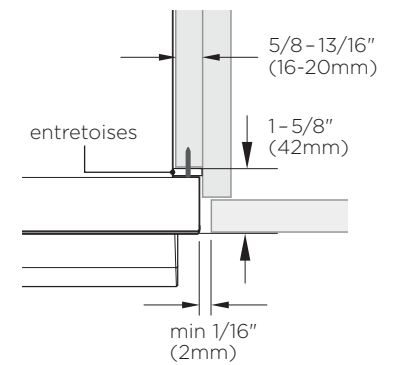


PLAN

INSTALLATION PROÉMINENTE



INSTALLATION AFFLEURANTE



DIMENSIONS ARMOIRE

OB30S

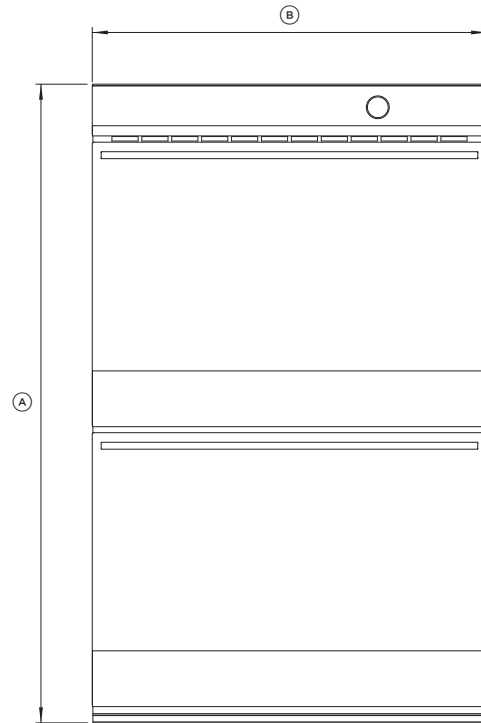
| | INCHES | MM |
|---|----------|-----|
| Ⓐ Largeur minimale de l'intérieur de la cavité | 28 1/2 | 724 |
| Ⓑ Largeur hors tout du module | 30 1/8 | 764 |
| Ⓒ Hauteur de l'intérieur de la cavité | 26 13/16 | 681 |
| Ⓓ Hauteur hors tout du module | 27 3/8 | 693 |
| Ⓔ Profondeur minimale de l'intérieur de la cavité | | |
| • Installation proéminente | 22 5/8 | 575 |
| • Installation affleurante | 24 3/16 | 614 |

Remarque :

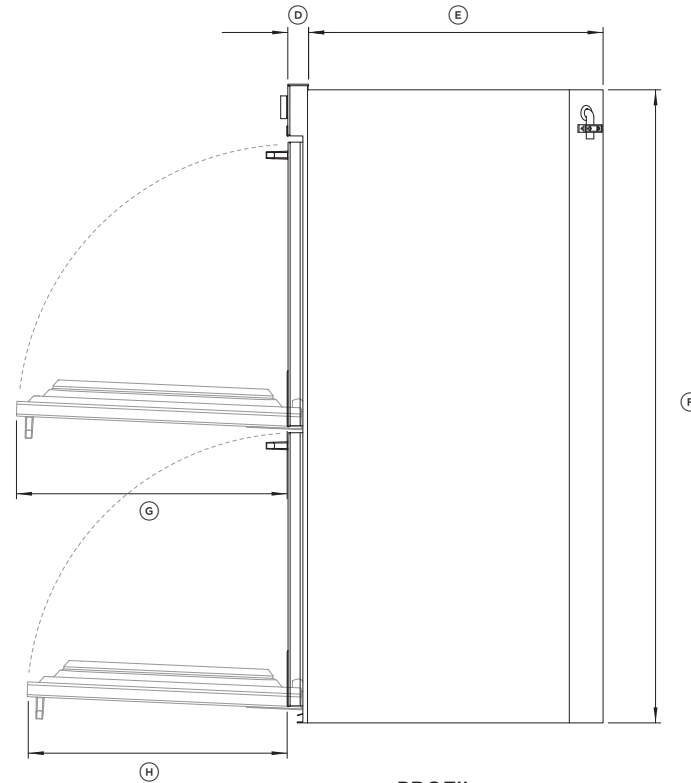
Si vous installez une surface de cuisson au-dessus du four, assurez-vous de prévoir un dégagement suffisant pour la surface de cuisson, comme le recommandent les instructions du fabricant.

Assurez-vous que la cavité est entièrement scellée et qu'elle ne présente aucun dégagement.
Il s'agit d'assurer les fonctions du système de refroidissement du four correctement.

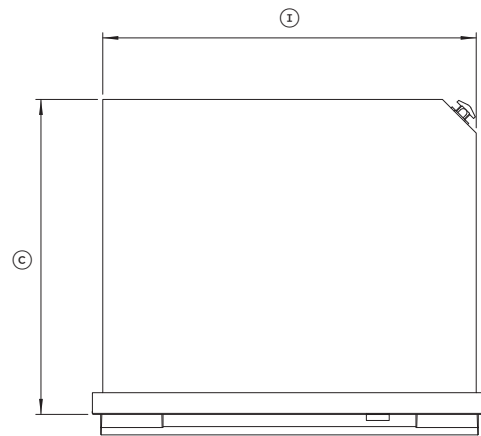
DIMENSIONS DU PRODUIT - FOURS DOUBLES



AVANT



PROFIL



PLAN

DIMENSIONS DU PRODUIT

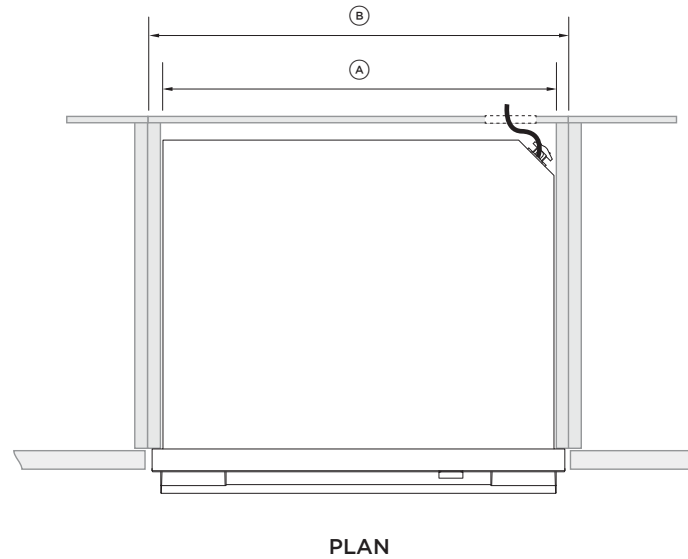
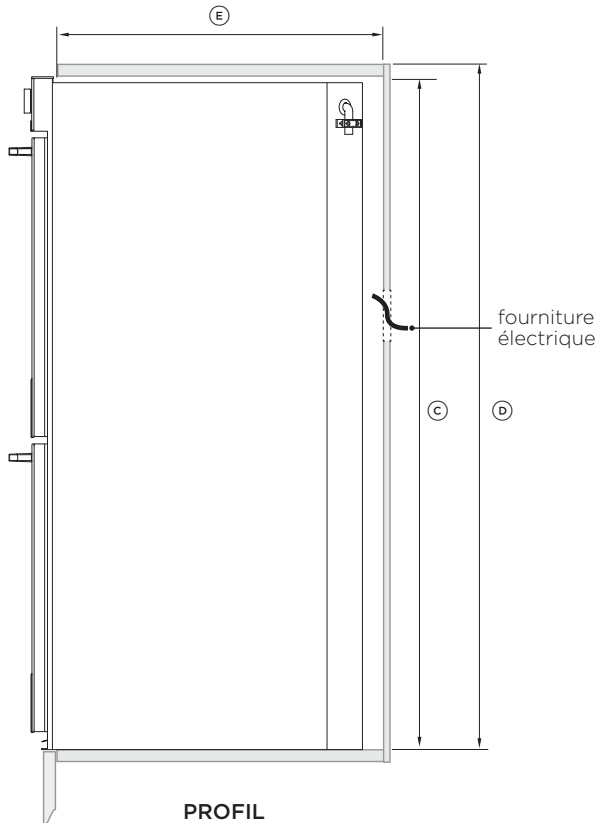
| | |
|---|---|
| Ⓐ | Hauteur hors tout de l'appareil |
| Ⓑ | Largeur hors tout de l'appareil |
| Ⓒ | Profondeur hors tout de l'appareil (sans la poignée) |
| Ⓓ | Profondeur du cadre de four et du panneau de commande (à l'exclusion des boutons) |
| Ⓔ | Profondeur du châssis |
| Ⓕ | Hauteur du châssis |
| Ⓖ | Depth of upper door (open) (measured from front of door) |
| Ⓗ | Depth of lower door (open) (measured from front of door) |
| Ⓘ | Largeur du châssis |

OB30D

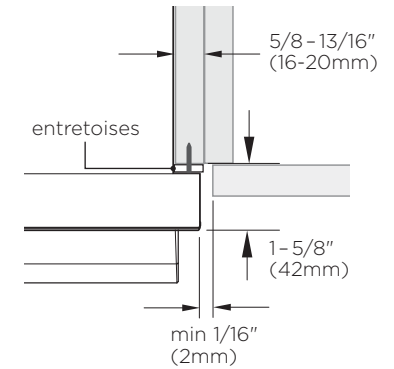
| POUCES | MM |
|----------|------|
| 48 1/2 | 1232 |
| 29 15/16 | 760 |
| 23 15/16 | 610 |
| 1 1/2 | 40 |
| 22 3/8 | 569 |
| 47 15/16 | 1218 |
| 21 5/8 | 550 |
| 20 7/8 | 530 |
| 28 5/16 | 720 |

Remarque : En cas d'installation affleurante, vous devez remplacer la garniture inférieure par la garniture longue fournie à la base du four et la profondeur du panneau de commande Ⓒ avec l'entretoise installée est plus grande que celle des fours conventionnels. Assurez-vous d'avoir créé un évidement de 42 mm (1 5/8 ") dans les armoires.

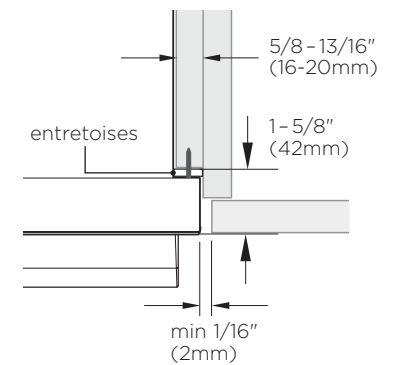
DIMENSIONS ARMOIRE - FOURS DOUBLES



INSTALLATION PROÉMINENTE



INSTALLATION AFFLEURANTE



DIMENSIONS ARMOIRE

- Ⓐ Largeur minimale de l'intérieur de la cavité
- Ⓑ Largeur hors tout du module
- Ⓒ Hauteur de l'intérieur de la cavité
- Ⓓ Hauteur hors tout du module
- Ⓔ Profondeur minimale de l'intérieur de la cavité
 - Installation proéminente
 - Installation affleurante

OB30D

| | POUCES | MM |
|---|----------|------|
| Ⓐ | 28 1/2 | 724 |
| Ⓑ | 30 1/8 | 764 |
| Ⓒ | 48 3/16 | 1224 |
| Ⓓ | 48 11/16 | 1236 |
| Ⓔ | 22 5/8 | 575 |
| | 24 3/16 | 614 |

Remarque :

Si vous installez une surface de cuisson au-dessus du four, assurez-vous de prévoir un dégagement suffisant pour la surface de cuisson, comme le recommandent les instructions du fabricant.

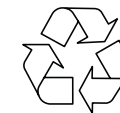
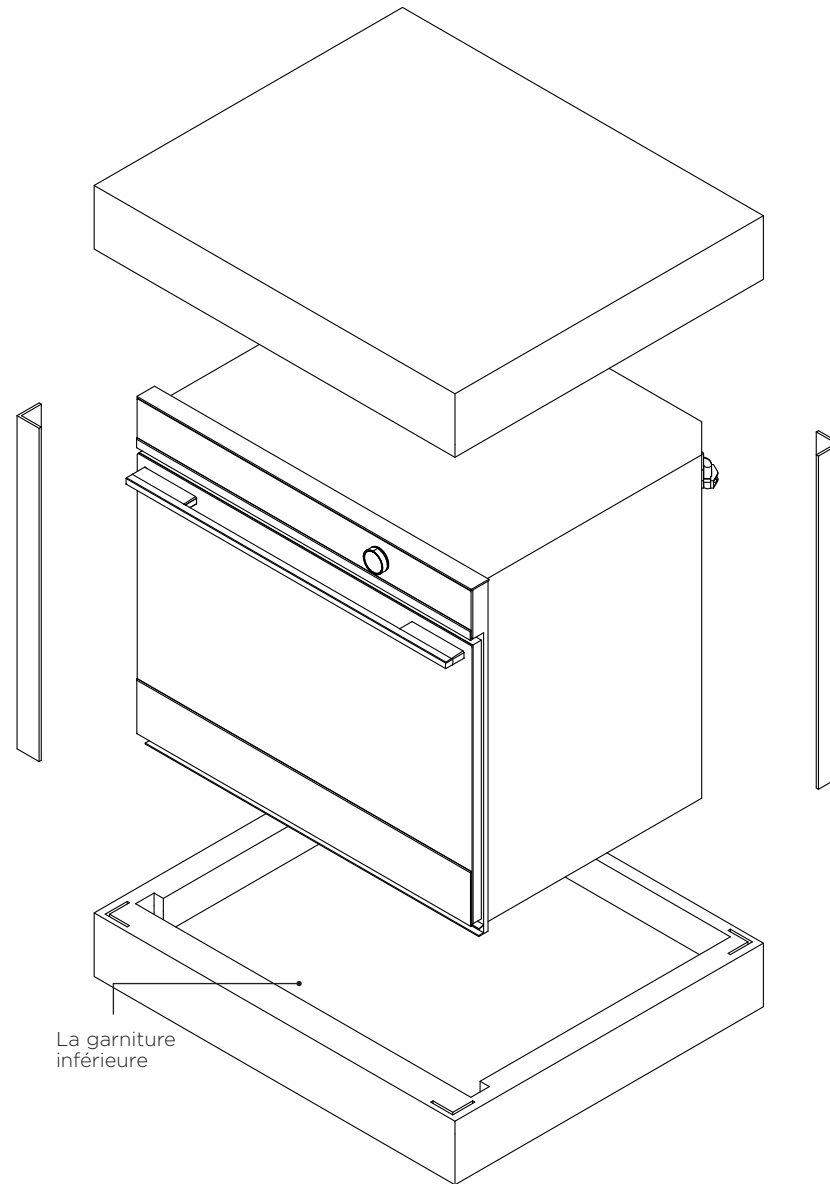
Assurez-vous que la cavité est entièrement scellée et qu'elle ne présente aucun dégagement. Il s'agit d'assurer les fonctions du système de refroidissement du four correctement.

DÉBALLAGE DU FOUR

Modèle unique montré à des fins d'illustration
seulement

IMPORTANT!

- Lorsque vous retirez le four du carton veiller à ne pas endommager la garniture inférieure. La garniture est important à la fois pour la ventilation et pour s'assurer que la porte s'ouvre complètement sans obstruction.
- Assurez-vous que vous supprimez le long Garniture de l'emballage.



Retirez la boîte à accessoires du
haut du four et mettez-la de côté.
Recycler de manière responsable

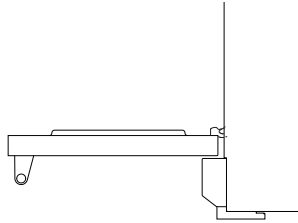
ENLEVER ET REMONTER LA PORTE (S)

IMPORTANT!

- Take care, the oven door is heavy.
- Do not lift the oven door by its handle. Doing so may damage the door.
- Ensure the oven and the door are cool before you begin to remove the door.
- Before removing the door, ensure there is a large enough clear, protected surface in the kitchen to rest the door on.

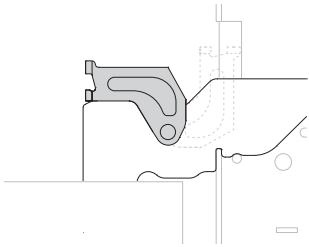
Enlever le porte

①



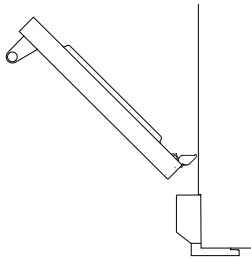
Ouvrez la porte complètement.

②



Open the hinge locks fully on both sides

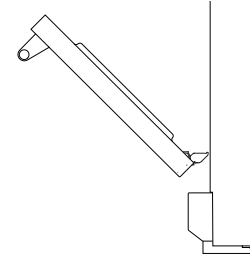
③



Holding the door on both sides, lift door back up to 45° and carefully pull the door out and away from the hinges.

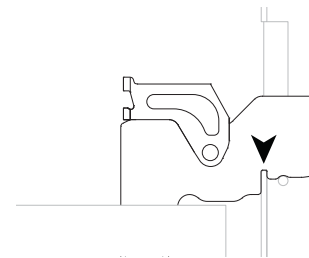
Remonter le porte

①



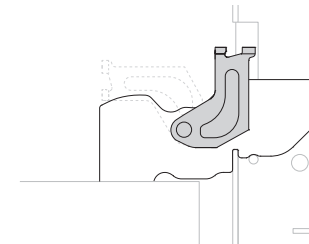
Holding the door at 45°, carefully align the hinge tongues with the hinge slots. Push the door in until you feel the latches locate into position on each side.

②



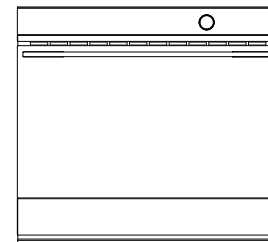
Open the door completely and ensure both hinges are secured by the correct notches.

③



Rotate the locks up into the closed position ensuring they rest inside the slots completely. Note: Incorrect installation will prevent door from correctly sealing.

④



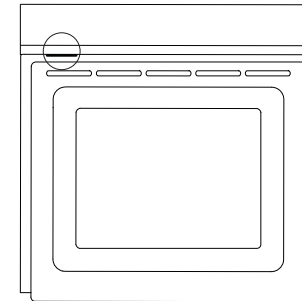
Close the oven door ensuring that when closed, the door is vertical and parallel to any surrounding cabinetry.

BRANCHEMENT ÉLECTRIQUE DE LA BOÎTE DE JONCTION

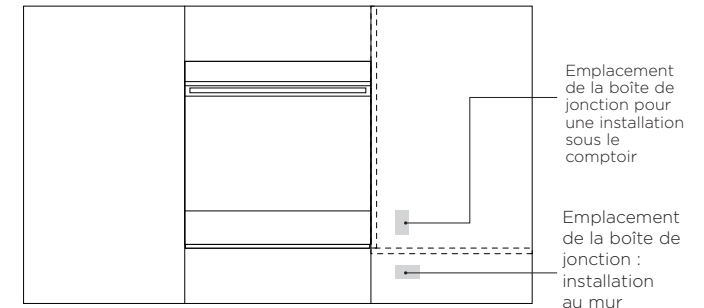


| MODÈLE | VOLTAGE | AMPERAGE MAX | PUISSANCE MAX |
|-------------|---------|--------------|---------------|
| OB30 Unique | 208 V | 16.6 A | 3.5 kW |
| | 240 V | 19.4 A | 4.6 kW |
| OB30 Double | 208 V | 33.2 A | 7.0 kW |
| | 240 V | 38.3 A | 9.2 kW |

Emplacement de la plaque signalétique

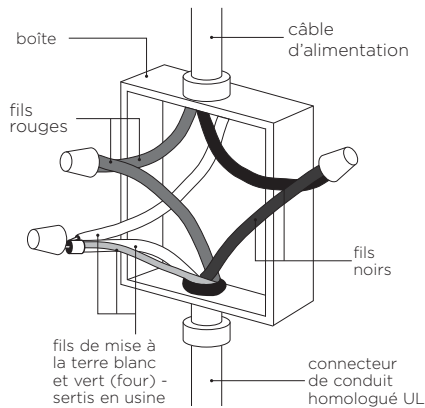


Emplacements des boîtes de jonction



Méthodes de connexion

A



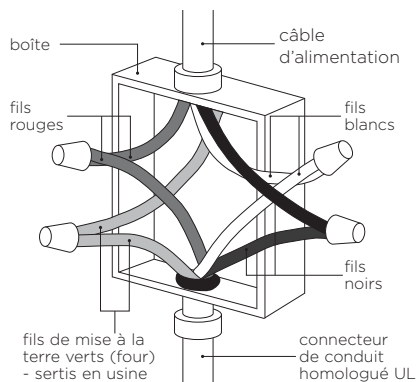
Si les codes locaux permettent de raccorder le conducteur de mise à la terre du module au fil blanc (neutre) de la boîte de jonction :

- ① Débranchez l'alimentation.
- ② Retirez le couvercle de la boîte de jonction.
- ③ Raccordez le câble du four à la boîte de jonction au moyen du connecteur de conduit homologué UL.
- ④ Raccordez les deux fils noirs ensemble au moyen de capuchons de connexion (Marrette).
- ⑤ Raccordez les deux fils rouges ensemble au moyen de capuchons de connexion (Marrette).
- ⑥ Effectuez le branchement en observant les codes et règlements locaux.
- ⑦ Raccordez les câbles vert et blanc sertis en usine au fil blanc (neutre) de la boîte de jonction.
- ⑧ Remettez le couvercle de la boîte de jonction en place.

Si les codes locaux permettent de raccorder le conducteur de mise à la terre du module au fil blanc (neutre) de la boîte de jonction :

- ① Débranchez l'alimentation.
- ② Retirez le couvercle de la boîte de jonction.
- ③ Raccordez le câble du four à la boîte de jonction au moyen du connecteur de conduit homologué UL.
- ④ Raccordez les deux fils noirs ensemble au moyen de capuchons de connexion (Marrette).
- ⑤ Raccordez les deux fils rouges ensemble au moyen de capuchons de connexion (Marrette).
- ⑥ Effectuez le branchement en observant les codes et règlements locaux.
- ⑦ Remettez le couvercle de la boîte de jonction en place.
- ⑧ Raccordez le fil blanc du four au fil blanc (neutre) de la boîte de jonction.
- ⑨ Raccordez le fil de mise à la terre du four (fil vert) au fil de mise à la terre de la boîte de jonction.
- ⑩ Remettez le couvercle de la boîte de jonction en place.

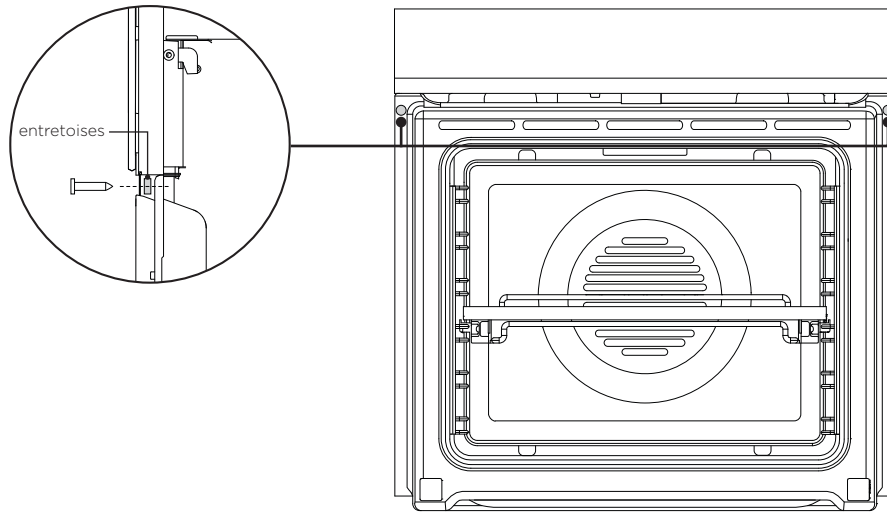
B



Si vous raccordez l'appareil à un système électrique à quatre (4) fils :

- ① Débranchez l'alimentation.
- ② Retirez le couvercle de la boîte de jonction.
- ③ Raccordez le câble du four à la boîte de jonction au moyen du connecteur de conduit homologué UL.
- ④ Raccordez les deux fils noirs ensemble au moyen de capuchons de connexion (Marrette).
- ⑤ Raccordez les deux fils rouges ensemble au moyen de capuchons de connexion (Marrette).
- ⑥ Effectuez le branchement en observant les codes et règlements locaux.
- ⑦ Séparez les fils vert et blanc du four.
- ⑧ Raccordez le fil blanc du four au fil blanc (neutre) de la boîte de jonction.
- ⑨ Raccordez le fil vert de mise à la terre de l'appareil au fil de mise à la terre (vert) de la boîte de jonction. Ne branchez pas le fil de mise à la terre vert au fil blanc (neutre) de la boîte de jonction.
- ⑩ Remettez le couvercle de la boîte de jonction en place.

SÉCURISER LE FOUR À L'ARMOIRE

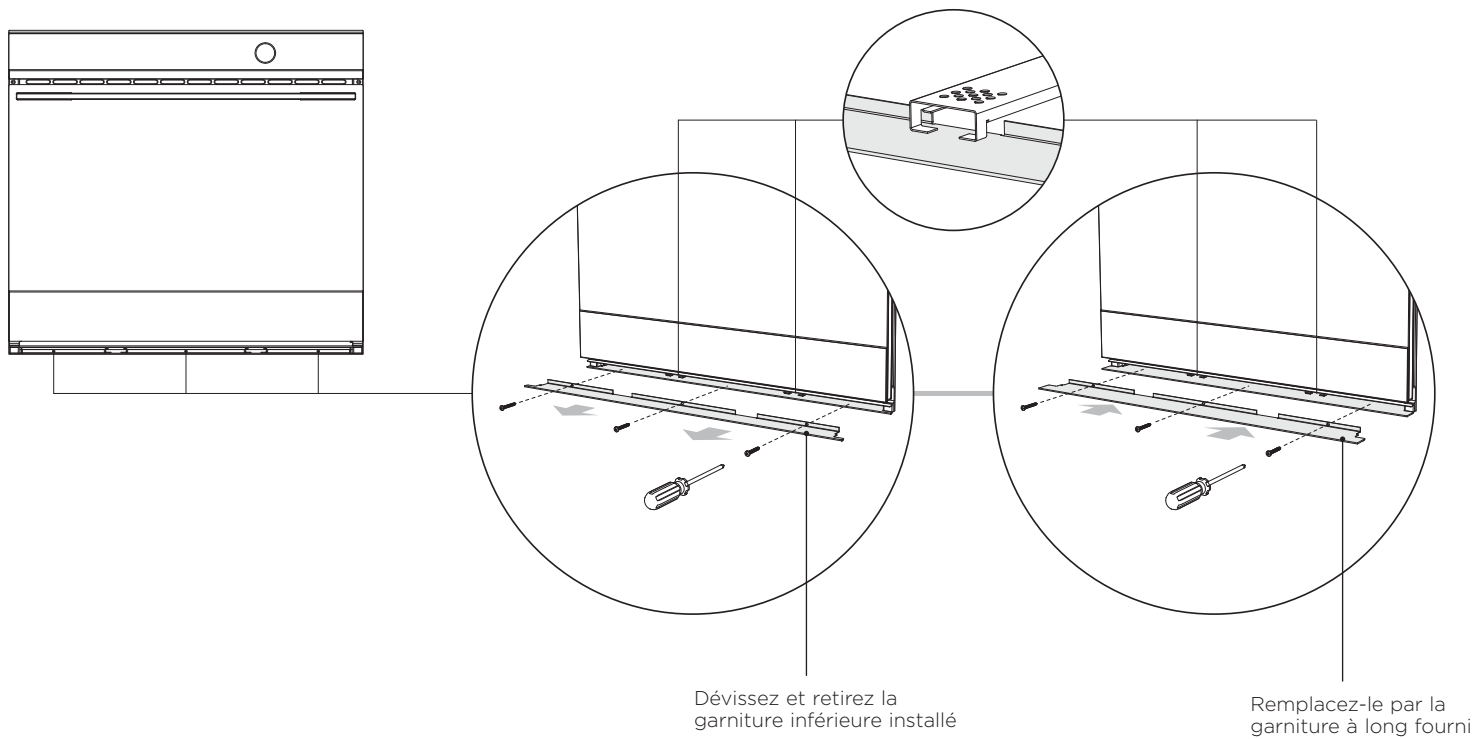


IMPORTANT!

- Ne pas trop serrer les vis.
- Rendez soin de ne pas endommager la garniture inférieure du four.
- Ne pas sceller le four dans l'armoire avec du silicone ou de la colle. Cela rend l'entretien avenir difficile. Fisher & Paykel ne couvrent pas les frais d'enlèvement du four, ou de dommage causé par ce retrait.
- Ne soulevez pas le four par la poignée de porte.

- ① Positionnez le four dans la cavité préparée.
- ② Ouvrez complètement la porte du four.
- ③ Marquez et pré-percez les trous de vis.
- ④ Utilisez les vis fournies pour fixer le four aux armoires.

INSTALLATION DE CHASSE SEULEMENT - REMPLACER LE TRIM INFÉRIEUR AVEC LE TRIM LONG FOURNI



LISTE DE VÉRIFICATION FINALE

À REMPLIR PAR L'INSTALLATEUR

- Ensure Assurez-vous que le four est à niveau et solidement fixés à l'armoire.
- Vérifiez la garniture inférieure est en bon état.
- Ouvrir le (inférieur) porte du four lentement jusqu'à ce qu'elle soit totalement ouverte et de vérifier qu'il ya un espace suffisant entre le bas de la porte et la garniture inférieure. C'est pour assurer une circulation d'air correcte. Si la garniture inférieure est endommagé, redresser l'équilibre et s'assurer que la porte du four s'ouvre totalement sans obstruction.
- Assurez-vous que toutes les attaches de câble et de l'emballage interne a été retiré de la cavité du four.
- Assurez-vous que tous les événements et les ouvertures du four sont claires et exemptes de tout obstruction ou de dommages.

IMPORTANT!

Défaut de s'assurer que tous les événements du four sont clairs peut altérer les performances du produit.

- Assurez-vous que le sectionneur est accessible par le client.

FONCTIONNEMENT TEST

- Couper l'alimentation au four. L'affichage doit s'allumer et afficher 24: Hr. Réglez l'horloge en suivant les instructions dans le «Guide de démarrage rapide.
- Activez la fonction four à 'Bake. L'intérieur de la cavité du four, la lumière de four devrait s'allumer. L'air doit souffler hors de l'évent au fond du four.
- Avez-vous montré le fonctionnement de base pour le client?
- Réduire la température à 120 °F/50 °C. L'indicateur de température devrait s'allumer. Après cinq minutes, ouvrir la porte du four: l'air intérieur doit être tiède. Tournez la molette de fonction du four sur OFF.

Compléter et conserver pour référence sûre:

Modèle _____

N ° De Série _____

Purchase Date _____

Date D'achat _____

Adresse Du Revendeur _____

Nom De L'installateur _____

Signature De L'installateur _____

Société D'installation _____

Date D'installation _____

FISHERPAYKEL.COM

Droit d'auteur © Fisher & Paykel Appliances 2019. Tous droits réservés.
Les caractéristiques de produit présentées dans ce livret s'appliquent aux modèles et produits spécifiques qui y sont décrits à la date de publication. Dans le cadre de notre politique d'amélioration en permanence de nos produits, ces caractéristiques peuvent être modifiées à tout moment. Nous vous recommandons de vérifier auprès de votre détaillant que ce livret décrit le produit actuellement disponible.

US CA

591977A 07.19