

FISHER & PAYKEL

CONVECTION SPEED OVEN

OM24NDTDX1, OM24NMTDB1 & OM24NDTDB1
models

INSTALLATION GUIDE

US CA

⚠ WARNING!



Electric Shock Hazard

Failure to follow this advice may result in electric shock or death.

- Before carrying out any work on the electrical section of the appliance, it must be disconnected from the mains electricity supply.
- Connection to a good earth wiring system is absolutely essential and mandatory.
- Alterations to the domestic wiring system must only be made by a qualified electrician.
- Failure to follow this advice may result in electrical shock or death.

⚠ WARNING!



Fire Hazard

Failure to follow this advice may result in overheating, burning, and injury.

- Do not use adapters, reducers, or branching devices to connect this appliance to the mains power supply.
- Failure to follow this advice may result in overheating, burning or fire.

⚠ WARNING!



Cut Hazard

Failure to use caution could result in injury.

- Take care: some edges are sharp.
- Failure to use caution could result in injury or cuts.

IMPORTANT SAFETY INSTRUCTIONS!

To avoid hazard, follow these instructions carefully before installing or using this appliance.

- Save these instructions for the local inspectors use.
- Please make this information available to the person installing the appliance - doing so could reduce your installation costs.
- This oven is to be installed and connected to the electricity supply only by an authorized person.
- If the installation requires alterations to the domestic electrical system, call a qualified electrician. The electrician should also check that the socket cable section is suitable for the electricity drawn by the oven.
- The oven must be grounded.
- Installation must comply with your local building and electricity regulations.
- This appliance must be installed and connected to the mains power supply only by a suitably qualified person according to these installation instructions and in compliance with any applicable local building and electricity regulations. Failure to install the appliance correctly could invalidate any warranty or liability claims.
- If the power supply cable is damaged, it must be replaced by the manufacturer, its service agent or similarly qualified person in order to avoid a hazard.
- A circuit breaker is recommended.
- Do not use adaptors, reducers or branching devices to connect the oven to the mains electricity supply, as they can cause overheating and burning.
- Do not allow children and animals to stop or linger near the appliance when it is pulled out of the cabinet.

Electrical requirements

- Connect oven with copper wire only.
- Do not cut the conduit.
- A U.L. listed conduit connector must be provided at the junction box.
- Do not ground to a gas pipe.
- Do not have a fuse in the grounding or neutral circuit.
- Fuse both sides of the line.
- A time delay fuse or circuit breaker is recommended. If using a time delay fuse, then fuse both sides of the line.
- Flexible armored cable from the appliance should be connected directly to the junction box.
- Connect directly to the fused disconnect (or circuit breaker box) through flexible, armored or non-metallic sheathed, copper cable (with grounding wire).
- If codes permit and a separate grounding wire is used, it is recommended that a qualified electrician determine that the grounding path and wire gauge are in accordance with local codes.

SAVE THESE INSTRUCTIONS

The models shown in this installation guide may not be available in all markets and are subject to change at any time. For current details about model and specification availability in your country, please go to our website www.fisherpaykel.com or contact your local Fisher & Paykel dealer.

SAFETY AND WARNINGS

Grounding Instructions

For all cord-connected appliances:

This appliance must be grounded. In the event of an electrical short circuit, grounding reduces the risk of electric shock by providing an escape wire for the electric current. This appliance is equipped with a cord having a grounding wire with a grounding plug. The plug must be plugged into an outlet that is properly installed and grounded.

WARNING: Improper use of the grounding can result in a risk of electric shock. Consult a qualified electrician or serviceman if the grounding instructions are not completely understood, or if doubt exists as to whether the appliance is properly grounded, and either:

- If it is necessary to use an extension cord, use only a 3-wire extension cord, use only a 3-wire extension cord that has a 3-blade grounding plug, and a 3-slot receptacle that will accept the plug on the appliance. The marked rating of the extension cord shall be equal to or greater than the electrical rating of the appliance, or
- Do not use an extension cord. If the power supply cord is too short, have a qualified electrician or serviceman install an outlet near the appliance.

For a permanently connected appliance:

This appliance must be connected to a grounded, metallic, permanent wiring system, or an equipment grounding conductor should be run with the circuit conductors and connected to the equipment terminal or lead on the appliance.

PRIOR TO INSTALLATION

Ensure that:

- The cavity ventilation has been set up correctly. Refer to [page 6](#) for details.
- The countertop and oven cavity are square and level, and are the required dimensions.
- The installation will comply with all clearance requirements and applicable standards and regulations.
- The isolating switch will be easily accessible to the customer with the oven installed.
- The electrician provides sufficient free length of power supply cable to reach from the bottom rear of the cavity to at least 59 1/16" (1.5m) in front of the bottom edge of the opening.
- The cable may enter the cavity from the side, top or bottom, but top entry must be at the rear of the cavity.
- The oven connection socket (if fitted) is outside the cavity if the oven is flush to the rear wall.
- The oven will rest on a surface that can support its weight.
- The height from the floor suits the customer.
- You consult local building authorities and by-laws if in doubt regarding installation.

Some environmental factors and cooking habits can cause condensation in and around the oven during use. To protect surrounding cabinetry from possible damage caused by frequent or excessive condensation, we recommend moisture-proofing the oven cavity.

AFTER INSTALLATION

The manufacturer does not accept any responsibility for damage resulting from incorrect installation.

- The oven door(s) can open fully without obstruction.
- The power supply cable does not touch any hot metal parts.
- The isolating switch is easily accessible to the customer with the oven installed.
- You complete the 'Final checklist' at the end of the installation.
- If, after following the instructions given, correct performance cannot be achieved, please contact your nearest Fisher & Paykel Authorised Service Center, Customer Care, or contact us through our local website listed at the end of this document.

INSTALLATION MILESTONES



Milestone indicator

These milestones represent areas throughout that are pivotal to an optimal installation outcome. These steps require additional installer attention and should be quality checked once completed.

MILESTONE LINKS



Align oven with surrounding cabinetry and appliances.

COMPONENTS REQUIRED

PARTS

- Keep all packaging materials until the unit has been inspected.
- Inspect the product to ensure there is no shipping damage. If any damage is detected contact the dealer or retailer you bought the product from to report the damage.
- Fisher & Paykel is not responsible for shipping damage.

Supplied



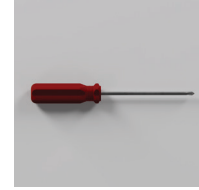
Screw SD #7X13 PAN
PH ZP

TOOLS

Not supplied

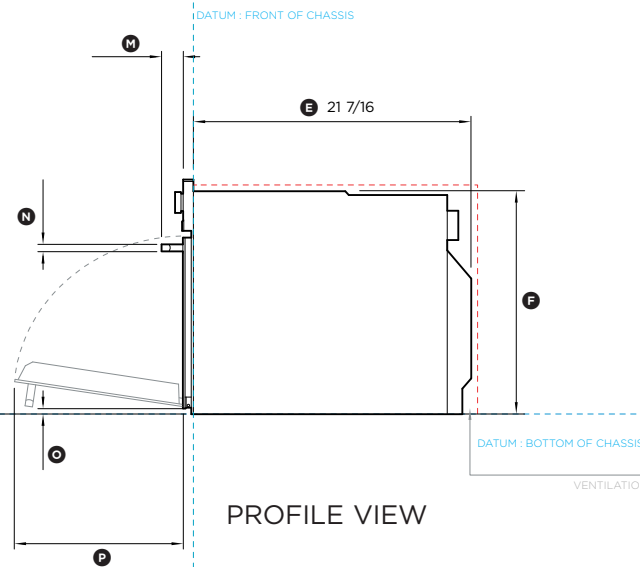
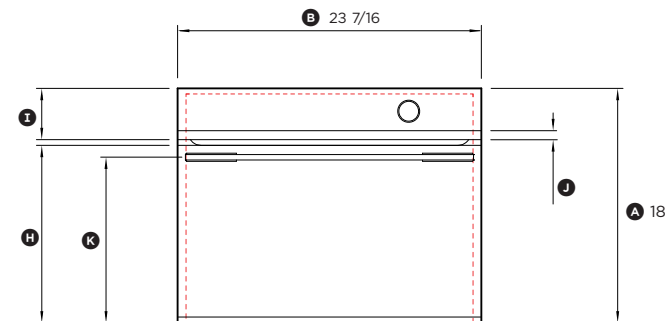
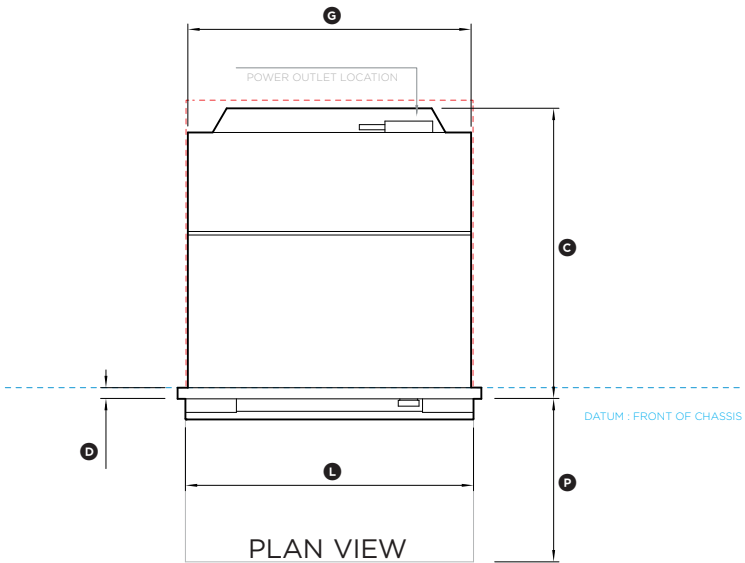


Powered driver



Cross-head
screwdriver

PRODUCT DIMENSIONS



OM24NDTDX1, OM24NMTDB1, OM24NDTDB1 models

Product Dimensions	inch	mm
Ⓐ Overall height of oven	18	458
Ⓑ Overall width of oven	23 7/16	596
Ⓒ Overall depth of oven (excludes handle and front metal trim)	22 1/4	565
Ⓓ Depth of oven frame, control panel and door (excludes handle and front trim)	13/16	20
Ⓔ Depth of chassis (includes terminal block)	21 7/16	545
Ⓕ Height of chassis	17 1/8	435
Ⓖ Width of chassis	21 7/8	556
Ⓗ Height from bottom datum to top of oven door	13 11/16	347
Ⓘ Height of control panel	3 15/16	100
Ⓢ Height of metal cap on control panel	13/16	20
Ⓚ Height from bottom datum to centerline of handle	12 3/4	324
Ⓛ Width of handle	22 1/4	565
Ⓜ Depth of handle (measured from front of door)	1 5/8	42
Ⓝ Thickness of handle	5/8	16
Ⓞ Distance from bottom datum to bottom of door glass	1/2	12
Ⓟ Depth of door (open) (measured from front of door)	12 5/8	320

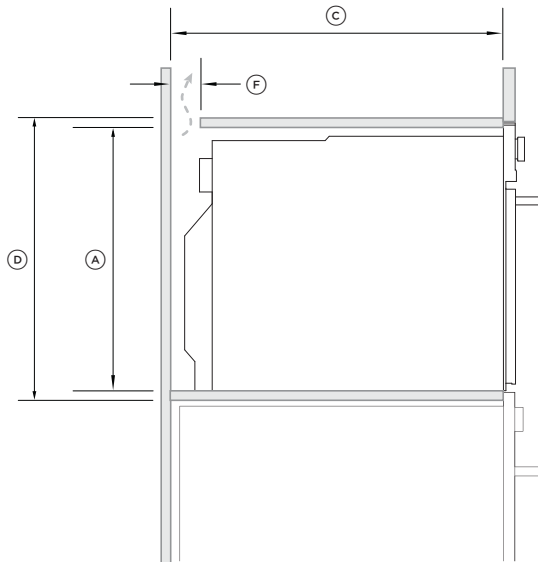
Minimum Clearances	inch	mm
Minimum inside height of cavity	17 5/16	440
Minimum inside width of cavity	22 1/16	560
Minimum inside depth of cavity	21 5/8	550
Overall height of cabinetry (cavity around front frame)	18 1/8	460
Overall width of cabinetry (cavity around front frame)	23 5/8	600
Rear ventilation air vent depth*	2	50
Rear ventilation air vent width*	22 1/16	560

*A rear ventilation air vent totalling 44in² (280cm²) is required. The air vent must be located at the rear of the cabinet, it can be positioned at the base, sides, back or top of the cavity.

IMPORTANT NOTE: Throughout this guide, dimensions may vary by ±2mm (1/16")

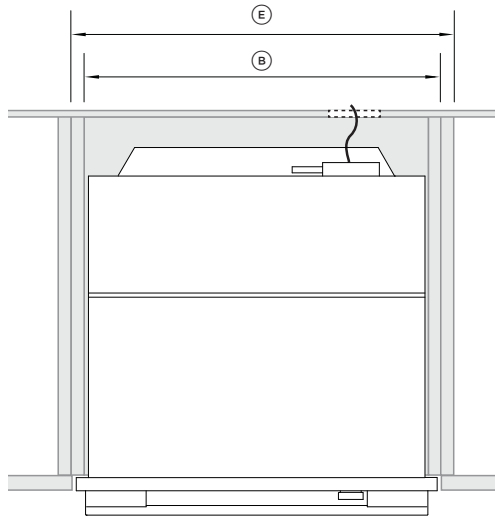
INDICATES PRODUCT DATUM -----
INDICATES CABINETRY CLEARANCES -----

CABINETY DIMENSIONS



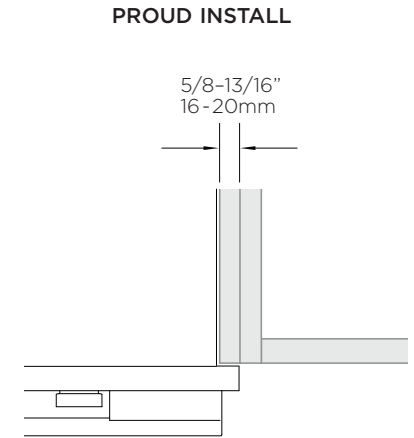
PROFILE

STACKED INSTALLATION ILLUSTRATED

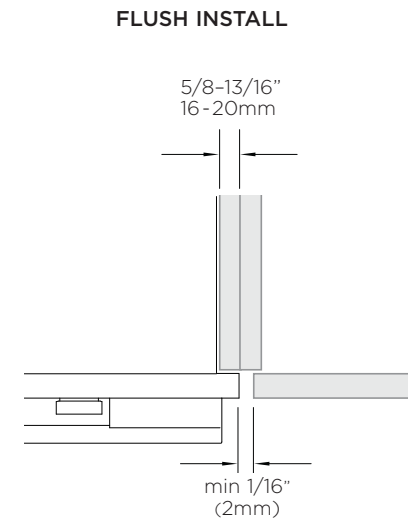


PLAN

STACKED INSTALLATION ILLUSTRATED



PROUD INSTALL



FLUSH INSTALL

CABINETY DIMENSIONS	OM24	
	IN	MM
Ⓐ Minimum inside height of cavity	17 5/16	440
Ⓑ Minimum inside width of cavity	22 1/16	560
Ⓒ Minimum inside depth of cavity	21 5/8	550
Ⓓ Overall height of cabinetry (cavity around front frame)	18 1/8	460
Ⓔ Overall width of cabinetry (cavity around front frame)	23 5/8	600
Ⓕ Rear ventilation air vent depth*	2	50
Rear ventilation air vent width*	22 1/16	560

*A rear air vent totalling a minimum of 110"² is required. The air vent must be located at the rear of the cabinet and be unobstructed by surrounding cabinetry or appliances. It can be positioned at the base, sides, back or top of the cavity. Ensure the oven is not bearing any weight from cabinetry or products installed above.

SERVICES

- This oven must be connected to the mains power supply only by a suitably qualified person.
- This oven must be earthed.

Before connecting the oven to the mains power supply, check that:

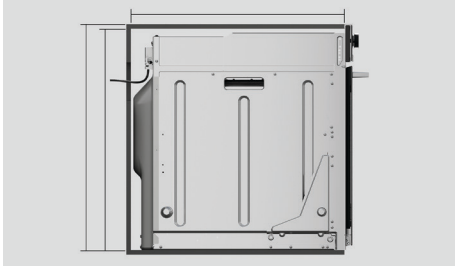
the domestic wiring system is suitable for the power drawn by the oven (as specified on the rating plate)

the voltage corresponds to the value given on the rating plate.

MAX POWER (W)	HZ	VOLTAGE (V)	AMPS (A)
3400	60 Hz	120/240	14
2700	60 Hz	120/208	13

CHECK CAVITY

①



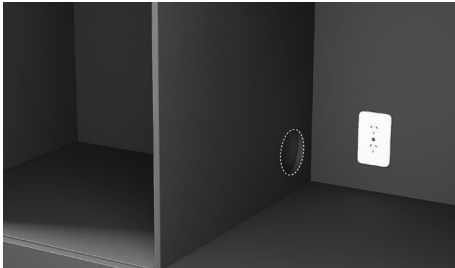
Measure cavity dimensions. Ensure all minimum specifications have been met. Refer to page 5.

②



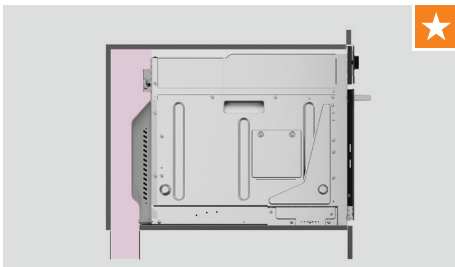
For dark cabinetry, ensure clashing has been considered and installed.

③



Ensure service access complies with local requirements. Refer to page 7 for details.

④



Ensure cavity ventilation has been set up correctly. Refer to page 7 for details.

UNPACK PRODUCT

- Do not lift or move the product using the handle.
- Keep all packing materials until the unit has been inspected.
- Inspect the product to ensure there is no shipping damage. If any damage is detected contact the dealer or retailer you brought the product from to report the damage.
- Fisher & Paykel is not responsible for shipping damage.

①



Remove the carton sleeve.

②



Remove the top cap, corner posts and any transit packaging.

③



Set aside any accessories.

④



Dispose responsibly.

REMOVE SHELVES

①



Open the door and remove all packaging holding the oven shelves in place.

②



Grip the shelves at the front. Lift upwards and pull out from the microwave.

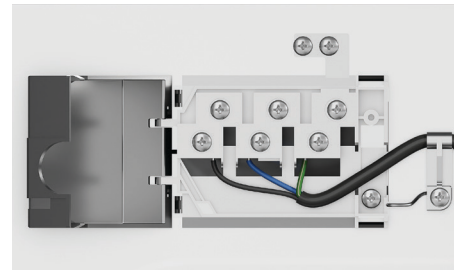
CONNECT POWER

①



Unclip and lift cover to access terminal block.

②

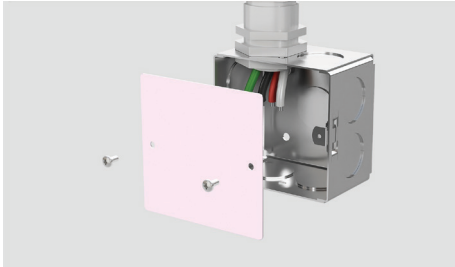


Connect to terminal block as shown. Ensure oven is correctly Earthed and cable clamp is tightened before closing the cover.

CONNECT POWER

FOUR WIRE CONNECTION

①



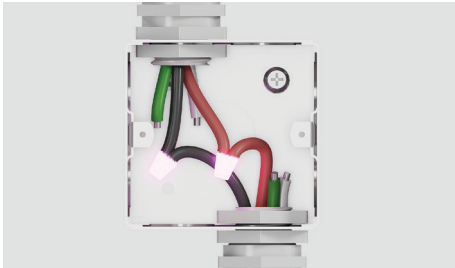
Disconnect the power supply and remove the junction box cover.

②



Connect the oven cable to the junction box through the U.L. - listed conduit connector.

③



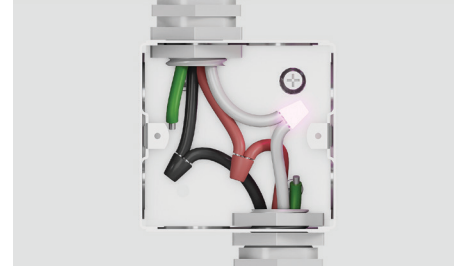
Connect the two black wires together with twist-on connectors and the two red wires together with twist-on connectors.

④



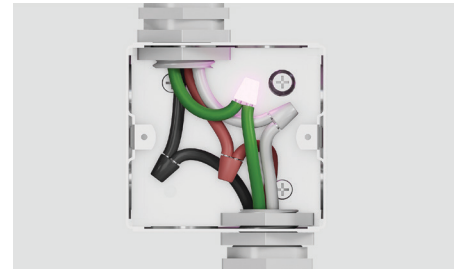
Connect electrical connection according to local codes and ordinances.

⑤



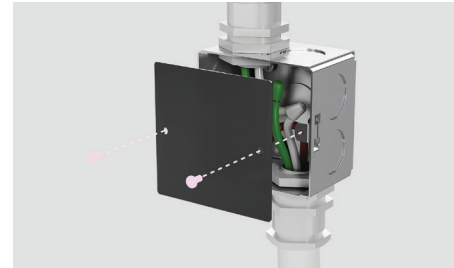
Separate the green and white oven cable wires. Connect the white oven cable wire to the neutral (white) wire in junction box.

⑥



Connect the green grounding oven cable wire to the (green) grounding wire in the junction box. Do not connect the green grounding wire to the neutral (white) wire in junction box.

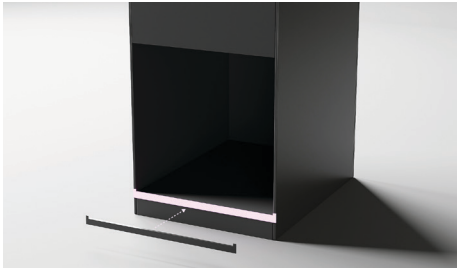
⑦



Replace the junction box cover.

POSITION OVEN INTO CAVITY

1



Some models only:

For dark cabinetry, the supplied trim can be used to enhance clashing finish. To install, remove the trim adhesive and press to secure to cavity.

2



Lift product into cavity.

ALIGN AND SECURE

1



Align oven with surrounding cabinetry and appliances.

2



Using the product as a guide, pre-drill 2 x 3mm pilot holes.

3



Secure oven to cavity using the 2 x #7x13 pan head screws provided.

REFIT SHELVES

①



Reposition shelves in the oven at the desired level.

②



Ensure shelves are level and correctly positioned with the guard rail at the back.

TEST OVEN

①



Follow the guidance on screen to ensure oven turns on and heats correctly. Refer to your User Guide for more information.

INSTALLER CHECKLIST

TO BE COMPLETED BY THE INSTALLER

- Make sure the oven is level and securely fitted to the cabinetry.
- Open the oven door (lower) slowly until it is fully open and check there is adequate clearance between the bottom of the door and the lower trim.
This is to ensure correct air circulation. Should the lower trim become damaged, straighten the trim and ensure the oven door opens fully without obstruction.
- Make sure any cable ties and internal packaging has been removed from the oven cavity.
- Make sure all oven vents and openings are clear and free of any obstruction or damage.
- Ensure cavity ventilation has been set up correctly.
Failure to make sure all oven vents are clear may result in poor product performance.
- Make sure the isolating switch is accessible by the customer.

Complete and keep for safe reference:

Model _____

Serial No. _____

Purchase Date _____

Purchaser _____

Dealer Address _____

Installer's Name _____

Installer's Signature _____

Installation Company _____

Installation Date _____

FISHERPAYKEL.COM

© Fisher & Paykel Appliances 2023. All rights reserved.

The models shown in this guide may not be available in all markets
and are subject to change at any time.

The product specifications in this guide apply to the specific products and
models described at the date of issue. Under our policy of continuous product
improvement, these specifications may change at any time.

For current details about model and specification availability in your country,
please go to our website or contact your local Fisher & Paykel dealer.

90002695A 09.23