

# **FISHER & PAYKEL**

## **24" INTEGRATED REFRIGERATOR/FREEZER**

---

RB2470BRV model

**INSTALLATION GUIDE**

**US CA**

**849695C 07.19**



# TABLE OF CONTENTS

---

- ① SAFETY AND WARNINGS
- ② COMPONENTS LIST
- ③ COMPONENTS LIST – DOOR PANELS AND HANDLES
  - ④ APPLIANCE DIMENSIONS
  - ⑤ CABINETY DIMENSIONS
  - ⑥ DOOR OPENING ROTATION
  - ⑦ ELECTRICAL SPECIFICATIONS
  - ⑧ BEFORE INSTALLATION
- ⑨ UNPACKING AND MOVING YOUR APPLIANCE
- ⑩ INSTALLATION OVERVIEW
- ⑪ CHANGING OVER DOOR HINGE (OPTIONAL)
- ⑫ INSTALL TRIM CLIPS
- ⑬ INSTALL CABINETY ATTACHMENT BRACKETS
- ⑭ INSTALL CLEARANCE ADJUSTMENT PLATES
- ⑮ POSITION YOUR APPLIANCE INSIDE THE CABINETY
- ⑯ FIX YOUR APPLIANCE INSIDE THE CABINETY
- ⑰ INSTALL THE TRIMS
  - ⑱ INSTALL TOP DOOR PANEL (CUSTOM)
  - ⑲ OR
  - ⑲ INSTALL TOP DOOR PANEL (CUSTOM)
  - ⑳ INSTALL BOTTOM DOOR PANEL (CUSTOM)
- ⑱ INSTALL DOOR PANELS (STAINLESS STEEL)
- ⑳ INSTALL BOTTOM DOOR PANEL (CUSTOM)
- ㉑ INSTALL COVERS AND INLET VENT GRILLE
- ㉒ FINAL CHECKLIST

---

## **IMPORTANT!** **SAVE THESE INSTRUCTIONS**

The models shown in this installation guide may not be available in all markets and are subject to change at any time. For current details about model and specification availability in your country, please go to our website [fisherpaykel.com](http://fisherpaykel.com) or contact your local Fisher & Paykel dealer.

## ① SAFETY AND WARNINGS

### ⚠ WARNING!



#### Electric Shock Hazard

Read and follow the safety and warnings outlined in this installation guide before operating this appliance.

Failure to do so can result in death, electric shock, fire or injury to persons.

### ⚠ WARNING!



#### Cut Hazard

Take care - panel edges are sharp. Failure to use caution could result in injury or cuts.

### IMPORTANT!

To ensure that the appliance is stable under all loading conditions, the fittings supplied must be installed according to the following installation instructions by a professional installer.

## ② COMPONENTS LIST

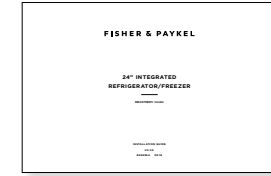
**MI (miscellaneous items) pack**— included in the appliance.



User guide (1x)



Service & Warranty (1x)



Installation guide (1x)

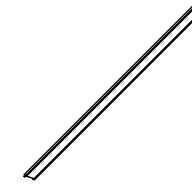
**Appliance accessories**— included with the appliance. Attached to the side of the appliance during transport.



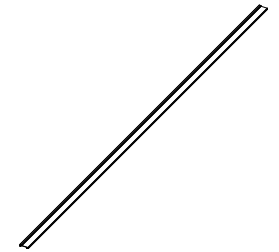
Top trim\* (1x)



Side trim bottom compartment hinged side (1x)



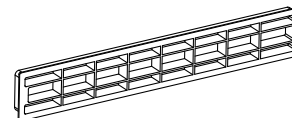
Side trim top compartment hinged side (1x)



Side trim non hinged side (1x)

\* Top trim is located inside the refrigerator compartment, behind the shelves. The shelves must be removed to get the top trim out.

**Optional accessory**— not included with the appliance and must be purchased separately.



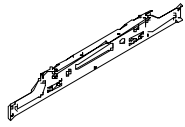
Inlet vent grille (1x)\*  
(873917)

\* Use only for cabinetry inlet vent area with dimensions 17 5/8" x 2 1/8" (448mm x 55mm). Refer to 'Install covers and inlet vent grille' for more information.

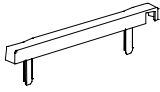


## 2 COMPONENTS LIST

### Pre-installed parts — included with the appliance.



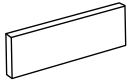
Top hanging bracket (2x)



Top hanging bracket cover (2x)



Top attachment ruler (4x)



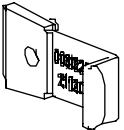
Hinge covers (4)



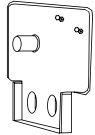
Door gasket baffle\* (2x)

\* Used only when transporting the appliance. Remove from the door after delivery of the appliance.

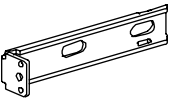
### Appliance fittings — included in the appliance.



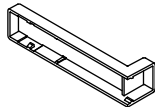
Position adjustment plate (1)



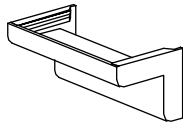
Clearance adjustment plates (4)



Cabinetry attachment bracket (1)

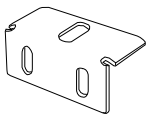


Cabinetry attachment bracket cover (1)



Bottom attachment bracket covers (4)

### Door panel (Custom) fittings — included in the appliance.

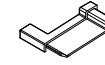


Bottom attachment brackets (4)

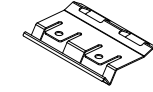
### Trim installation fittings — included in the appliance.



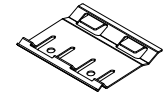
Trim end LH (2)



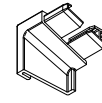
Trim end RH (2)



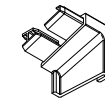
Top trim clips (2)



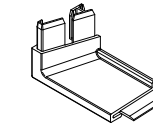
Side trim clips (8)



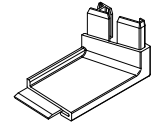
Top corner hinged LH (1)



Top corner hinged RH (1)



Top corner non hinged RH (1)

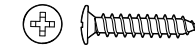


Top corner non hinged LH (1)

### Fasteners — included in the appliance.



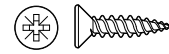
Cabinetry attachment screws (2)



Hinge screws (8)



Bottom attachment screws (4)

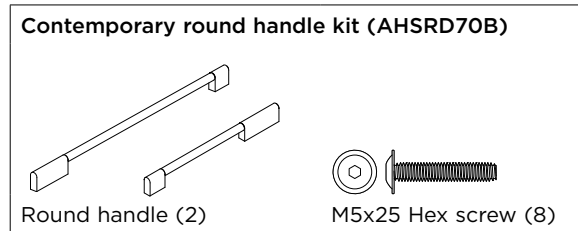
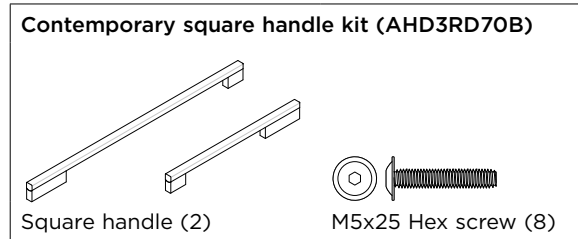


Wood screws (52)



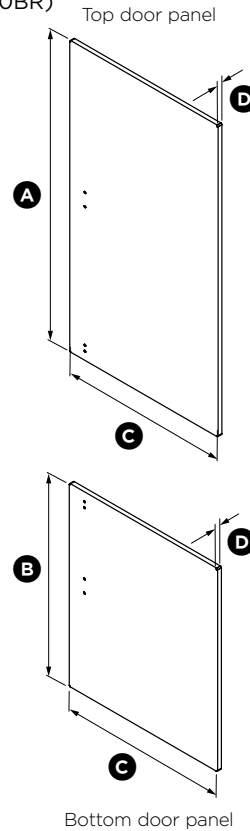
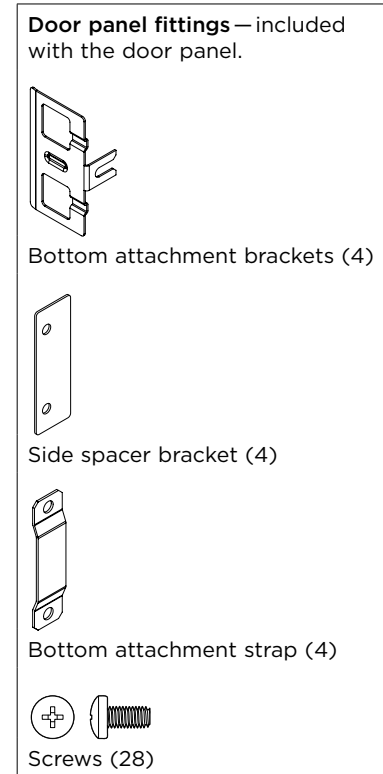
Hinge hole plugs (8)

**Door handle kits**—not included with the appliance and must be purchased separately.

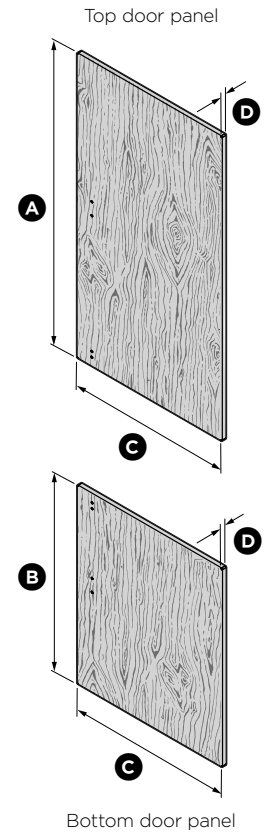
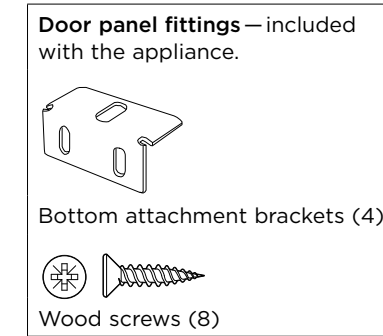


**Stainless Steel door panels**—Fisher & Paykel (Stainless steel) door panel is not included with the appliance and must be purchased separately.

- Door Panel Set Left Hinge (RD2470BL)
- Door Panel Set Right Hinge (RD2470BR)



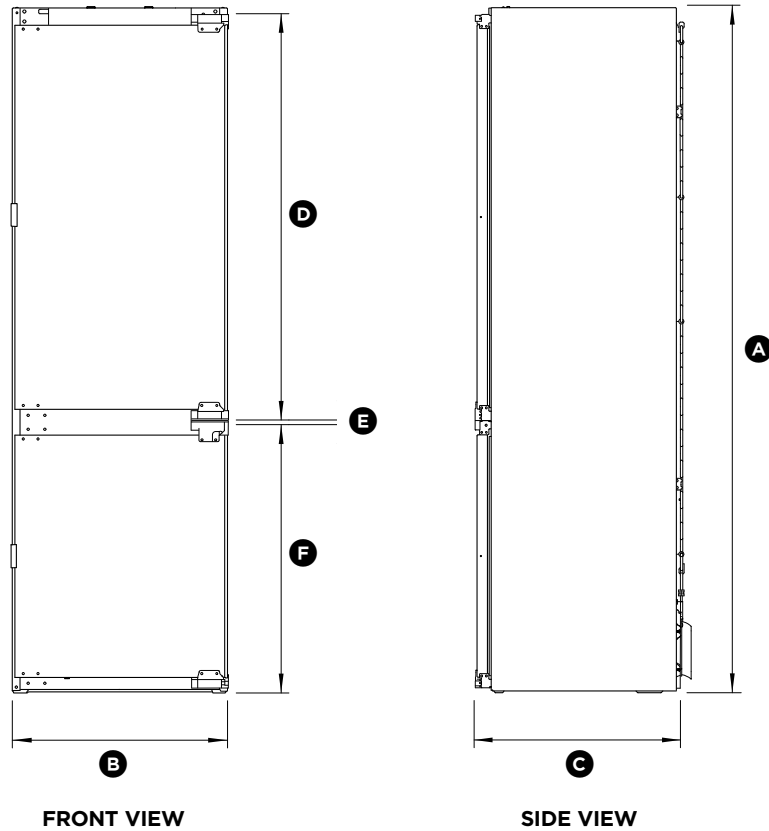
**Custom door panels**—Customers can supply their own Custom door panel to match their cabinetry.



	<b>STAINLESS STEEL</b>	<b>CUSTOM*</b>
<b>DOOR PANEL DIMENSIONS</b>	<b>in (mm)</b>	<b>in (mm)</b>
(A) Height of top door panel	43 1/4" (1098)	43 1/4" - 43 1/2" (1098 - 1105)
(B) Height of bottom door panel	28 3/16" (716)	28 3/16" (716)
(C) Width of top and bottom door panels	23 3/4" (603)	23 3/8" - 23 3/4" (594 - 603)
(D) Depth of each door panel (excluding door handle)	3/4" (19)	min 5/8" - max 3/4" (16 - 19)
<b>DOOR PANEL WEIGHT</b>	<b>lb (kg)</b>	<b>lb (kg)</b>
Weight of top door panel	18 (8)	max 26 (12)
Weight of bottom door panel	11 (5)	max 26 (12)

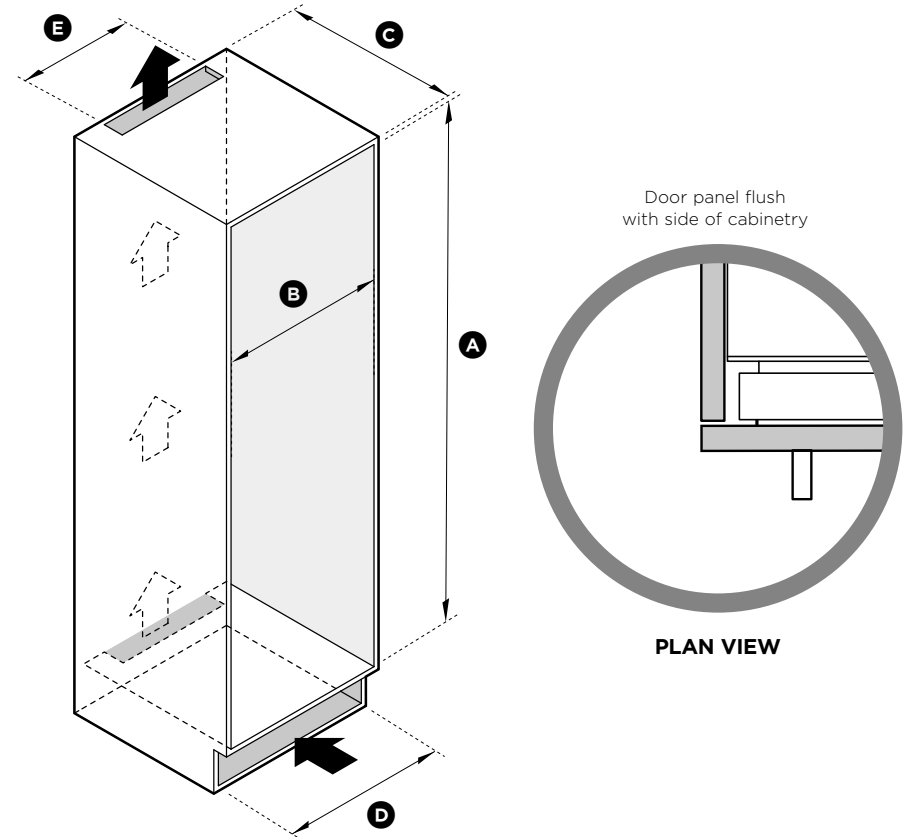
\* Custom door panels to be manufactured and fitted by cabinet maker.

## 4 APPLIANCE DIMENSIONS



APPLIANCE DIMENSIONS	in (mm)
Ⓐ Overall height of appliance	69 3/4" (1773)
Ⓑ Overall width of appliance	21 7/8" (555)
Ⓒ Overall depth of appliance (excluding door panels)	21 1/4" (540)
Ⓓ Height of top door (including top and bottom hinges)	42" (1066)
Ⓔ Height of hinge gap	1/2" (12)
Ⓕ Height of bottom door (including top and bottom hinges)	27 1/4" (692)
APPLIANCE SPECIFICATIONS	
Weight (including packaging)	81kg (179lbs)
Weight (without packaging)	75kg (165lbs)

## 5 CABINETY DIMENSIONS



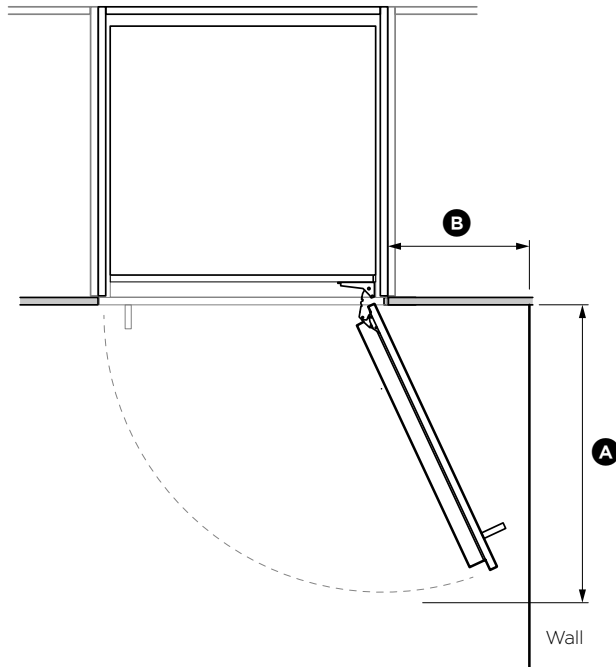
CABINETY DIMENSIONS	in (mm)
Ⓐ Inside height of cabinetry	70 1/8" - 70 1/4" (1782 - 1786)
Ⓑ Inside width of cabinetry	22 1/4" - 22 1/2" (564 - 570)
Ⓒ Overall depth	min 21 5/8" (min 550)
MINIMUM CLEARANCE	in <sup>2</sup> (mm <sup>2</sup> )
Ⓓ Minimum inlet vent area*	31 (20000)
Ⓔ Minimum outlet vent area	43 (28000)

\* An optional inlet vent grille is available for inlet vent area with dimensions 17 5/8" x 2 1/8" (448mm x 55mm). Refer to 'Install covers and inlet vent grille' for more information.

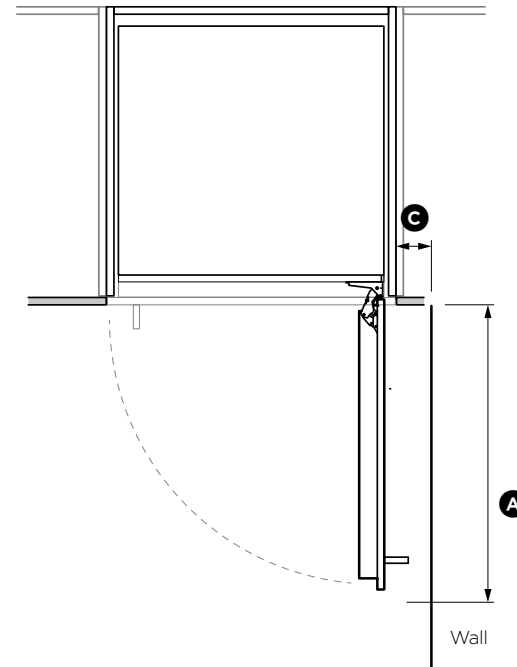
## ⑥ DOOR OPENING ROTATION

### WARNING!

- Ensure that the appliance is stable before opening the doors.
- Ensure that you follow the instructions to avoid risks that can cause serious injury or death.



**115° DOOR OPENING  
(FULL ROTATION)**



**90° DOOR OPENING**

#### DOOR OPENING AND CLEARANCE DIMENSIONS

- |  | in (mm)       |
|--|---------------|
| Ⓐ Width of door (90° open) measured from front of door panel | 24" (610)     |
| Ⓑ Minimum door clearance* to adjacent wall (115°)            | 13 3/4" (350) |
| Ⓒ Minimum door clearance* to adjacent wall (90°)             | 4" (100)      |

#### in (mm)

24" (610)

13 3/4" (350)

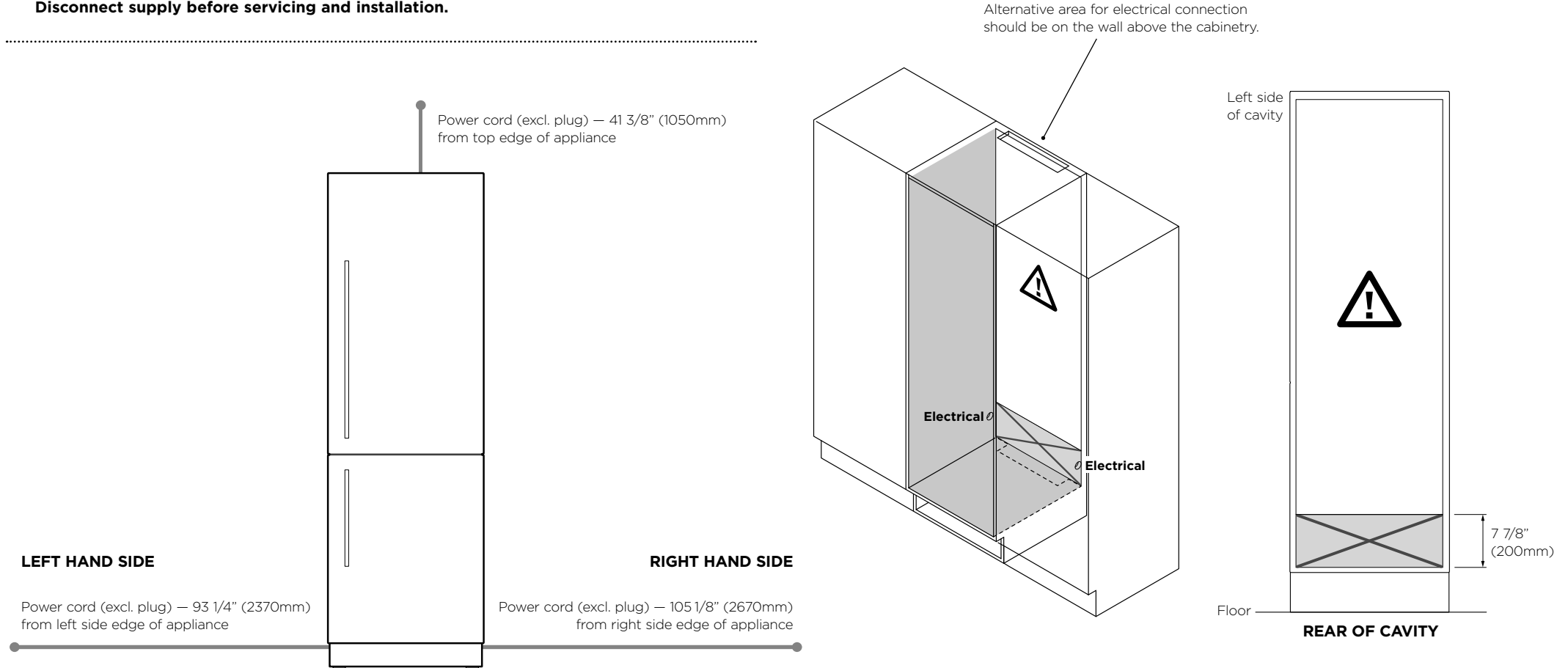
4" (100)

\* Measured from front cabinetry edge.

## 7 ELECTRICAL SPECIFICATIONS

### WARNING!

- **Electric shock hazard! Assume all parts are live. Disconnect supply before servicing and installation.**



### ELECTRICAL SPECIFICATIONS

Supply	120 VAC, 60Hz
Service	10 amp circuit
Outlet	3-prong grounding plug [NEMA 5-15P]

Note: Electrical connection can be located in an adjacent cabinet to either side of the fridge or above the fridge cavity. We recommend to use an isolating switch that is easily accessible to the user after the refrigerator is installed.

✗ Do not locate electricity in this area, keep clear of connections.

⚠ CAUTION: central area can only fit water outlet and electrical plug if they are placed within a recessed cavity.

**IMPORTANT!**

- Ensure your appliance is not exposed to any heat generating appliances eg cooktop, oven or dishwasher.
  - The appliance must be installed by a qualified installer, or Fisher & Paykel trained and supported service technician to avoid faulty electrical connection.
  - All connections for electrical power and grounding must comply with local codes and ordinances and be made by licensed personnel when required.
  - Avoid installation of the appliance/s under a ground fault circuit interrupter (GFCI).
  - Ensure the appliance is installed properly. Improper installation that results in appliance failure is not covered under the appliance warranty.
- 

**Check the installation location**

**Cabinetry**

- Check the dimensions of the cabinetry (width, depth, height, floor level, finished alcove returns).
- Ensure that the ventilation openings in the cabinetry are clear of obstruction.

**Power supply connection**

- Ensure that there is a separate power outlet for the appliance.
- Avoid sharing the power point with other appliances to prevent the appliance from accidentally switching off.
- For power requirements, refer to the information on the serial plate.
- Ensure your appliance is properly grounded (earthed).
- Connect your appliance to an electrical supply with the fitted plug and lead.
- We recommend to use an isolating switch that is easily accessible to the user after the appliance is installed.

**Your appliance**

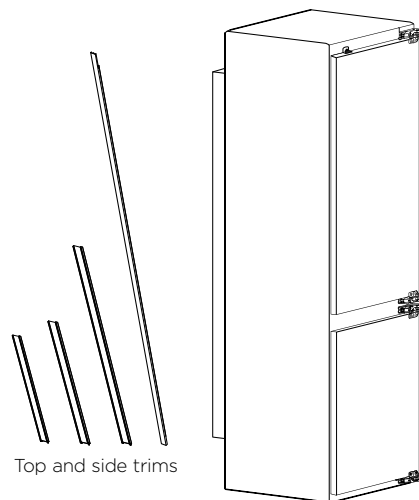
- Ensure that your appliance is the correct model as per your order.
- Ensure that the packaging is not damaged upon delivery.
- Check that the components and install kits are complete.

**IMPORTANT!**

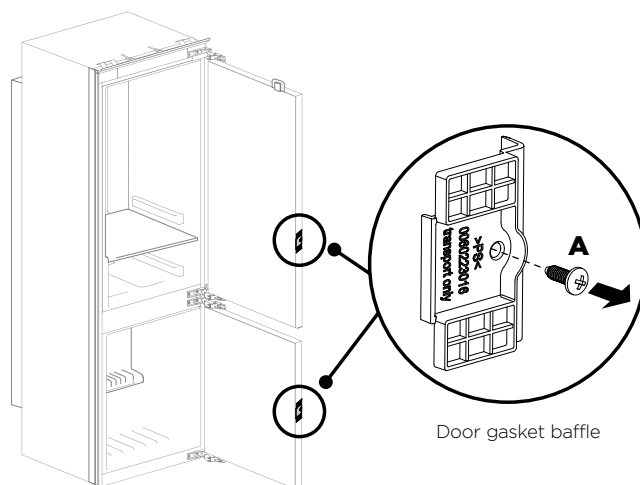
- Be careful when unpacking to prevent damage to the surface of your appliance.
- Ensure that the appliance is stable to prevent from tipping over when unpacking.
- Do not open the doors to prevent the appliance from tipping over.
- If the appliance is damaged, contact your Fisher & Paykel dealer.
- Take note of your model and registration numbers located at the bottom right side of the appliance. You will need these to request for servicing or repair of your appliance.

**Unpacking your appliance**

- 1 Remove the carton and packaging, along with the rip tag.
- 2 Remove the side trims taped to the side of the appliance and the top trim from inside the appliance.
- 3 Remove the bags of component parts from inside the appliance.



- 4 Remove the door gasket baffles from both doors (A).
  - Keep the door gasket baffles in case you need to move the appliance in the future.



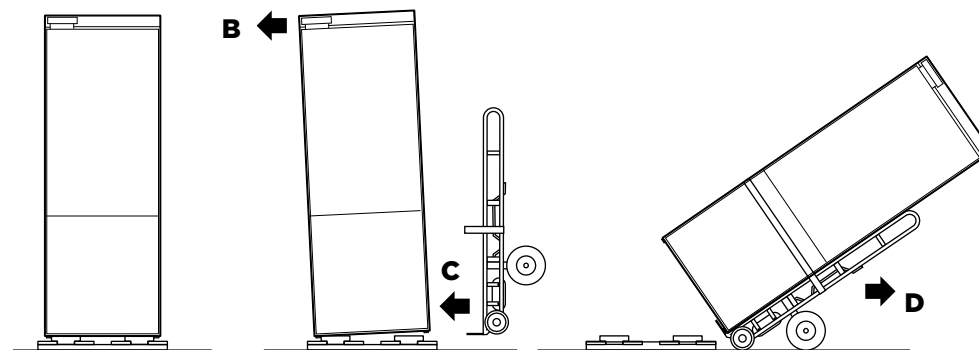
Door gasket baffle

**WARNING!**

- Follow these instructions to avoid risks that can cause serious injury or death.
- Keep doors closed until the appliance has been moved to its installation location.

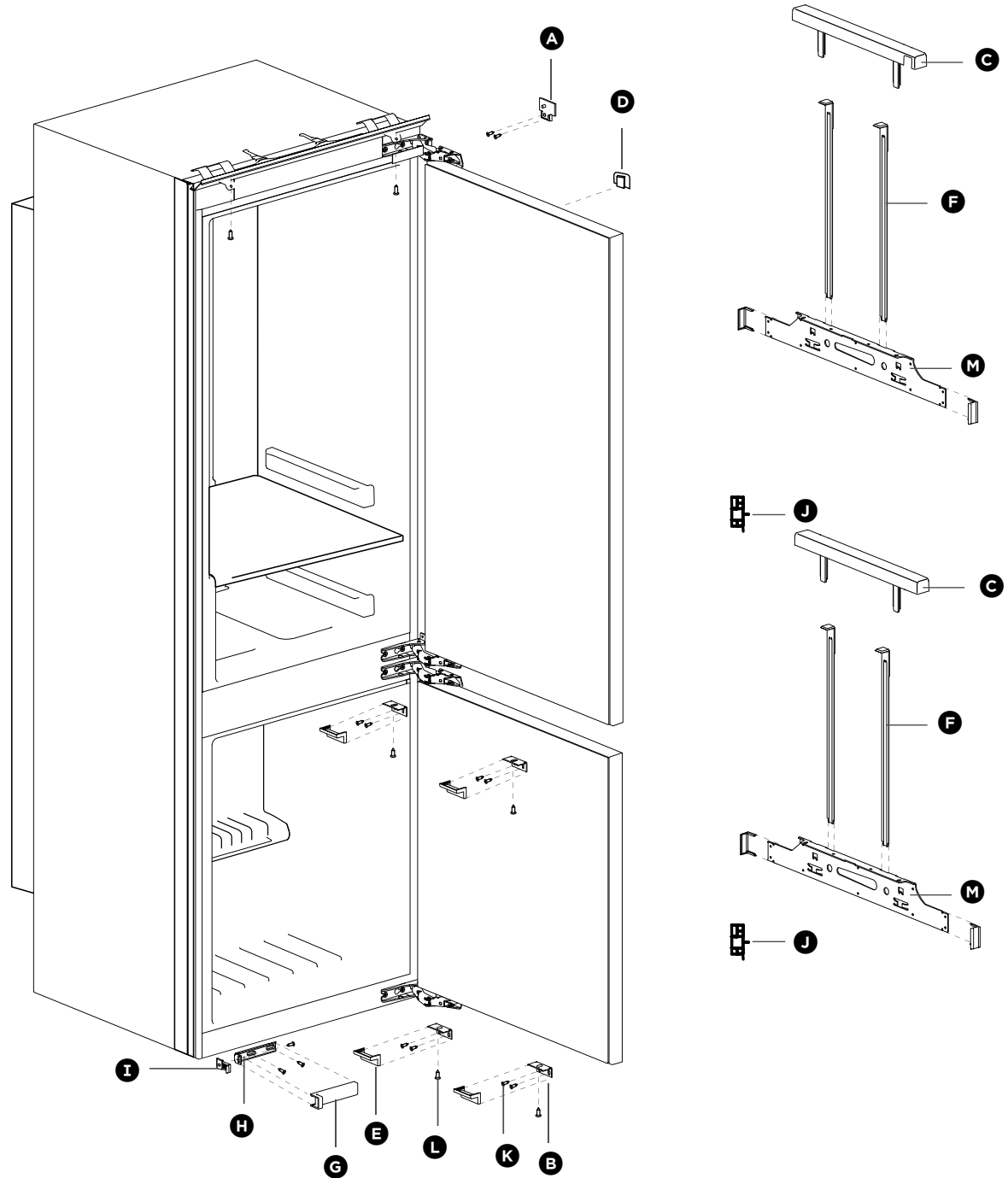
**Moving your appliance**

- 5 After unpacking, tape the door shut to prevent the possible opening of the doors when tilting.
- 6 Tilt the appliance slightly forward (B) and slide a two-wheeled cart (C) between the appliance and base pack (polystyrene foam).
  - Do not insert the cart from the back or front side of the appliance!
- 7 Restrain the appliance to the cart with straps, and then tilt backward onto the cart (D).
- 8 Set aside the base pack and push the appliance to the installation location.
  - Make sure the door stays closed until the appliance is positioned inside the cabinetry.



## 10 INSTALLATION OVERVIEW

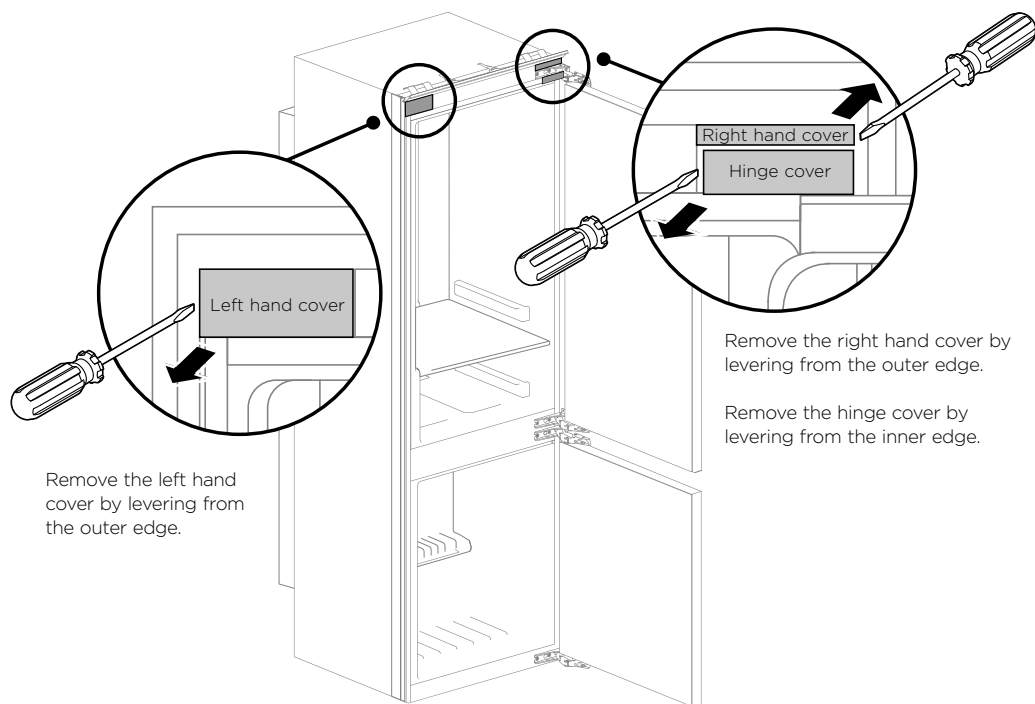
- Ⓐ Clearance adjustment plate
- Ⓑ Bottom attachment bracket
- Ⓒ Hanging bracket cover
- Ⓓ Sensor magnet
- Ⓔ Bottom attachment bracket cover (Custom door only)
- Ⓕ Top attachment ruler
- Ⓖ Cabinetry attachment bracket cover
- Ⓗ Cabinetry attachment bracket
- Ⓘ Position adjustment plate
- Ⓝ Door gasket baffle
- Ⓚ Wood screw
- Ⓛ Bottom attachment bracket screw
- Ⓜ Top hanging bracket



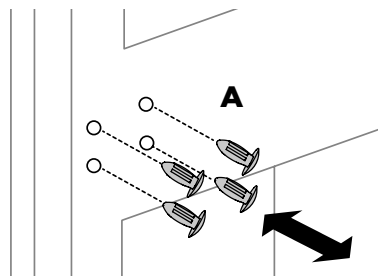


## 11 CHANGING OVER DOOR HINGE (OPTIONAL)

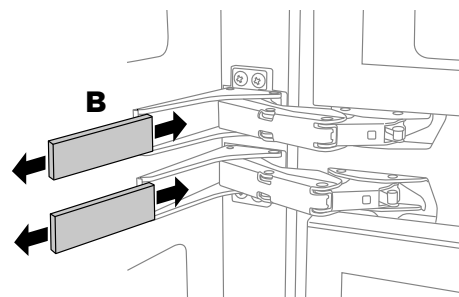
This model is right hinged with a left-opening door. If required, you can change this model to left hinged with a right-opening door.



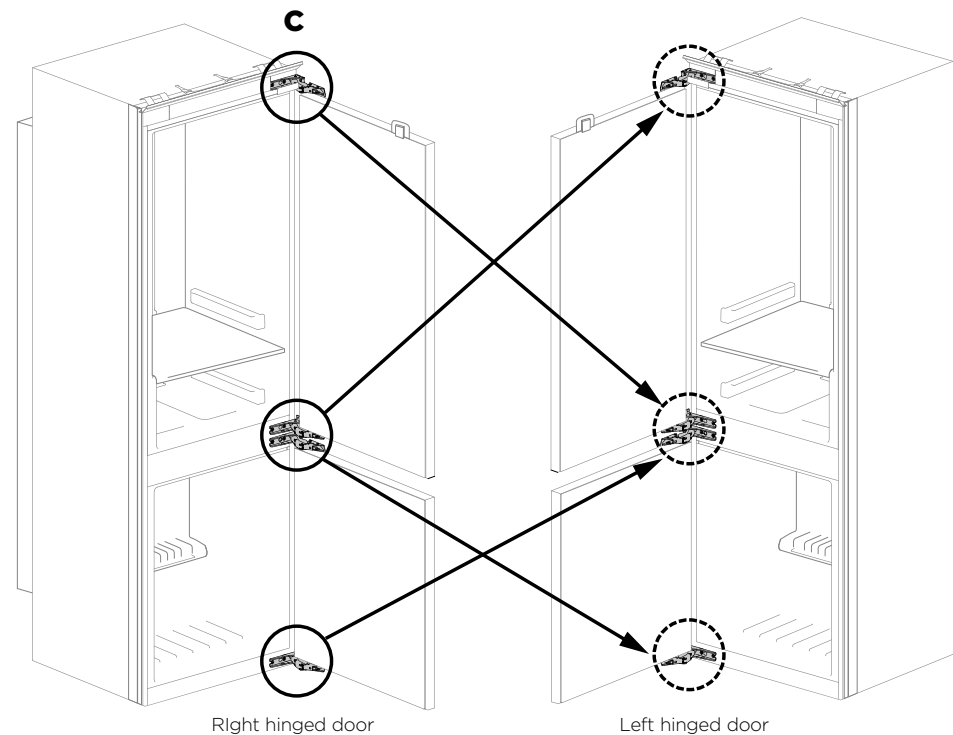
- 1 Remove the covers on the left and right ends of the control panel using a flat-head screwdriver.



- 2 When changing the hinge position remove the hinge hole plugs (A).

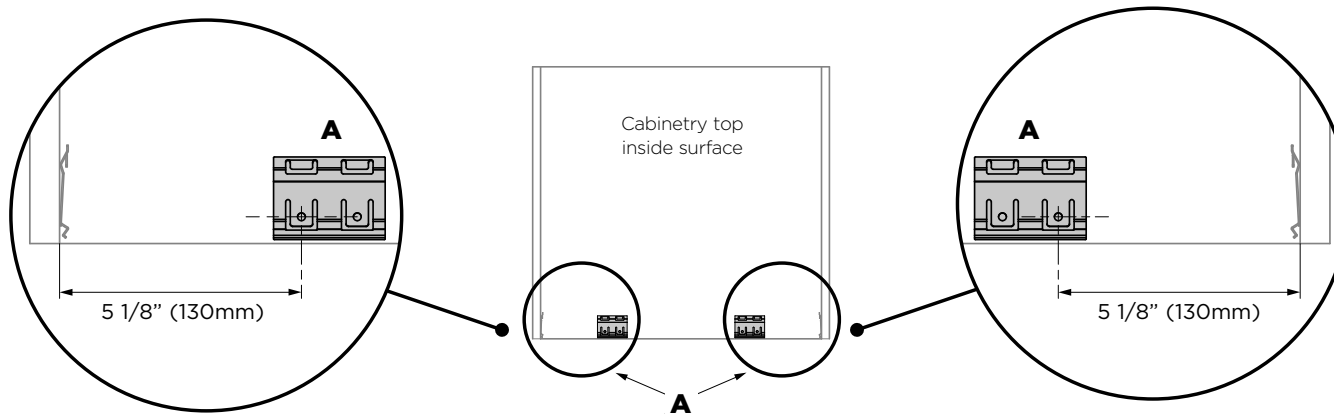


- 3 Remove the remaining hinge covers (B).



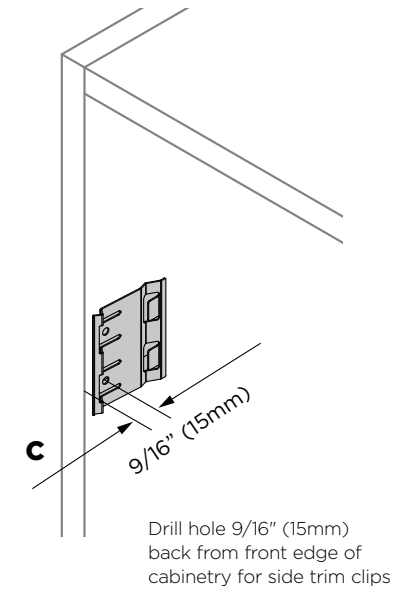
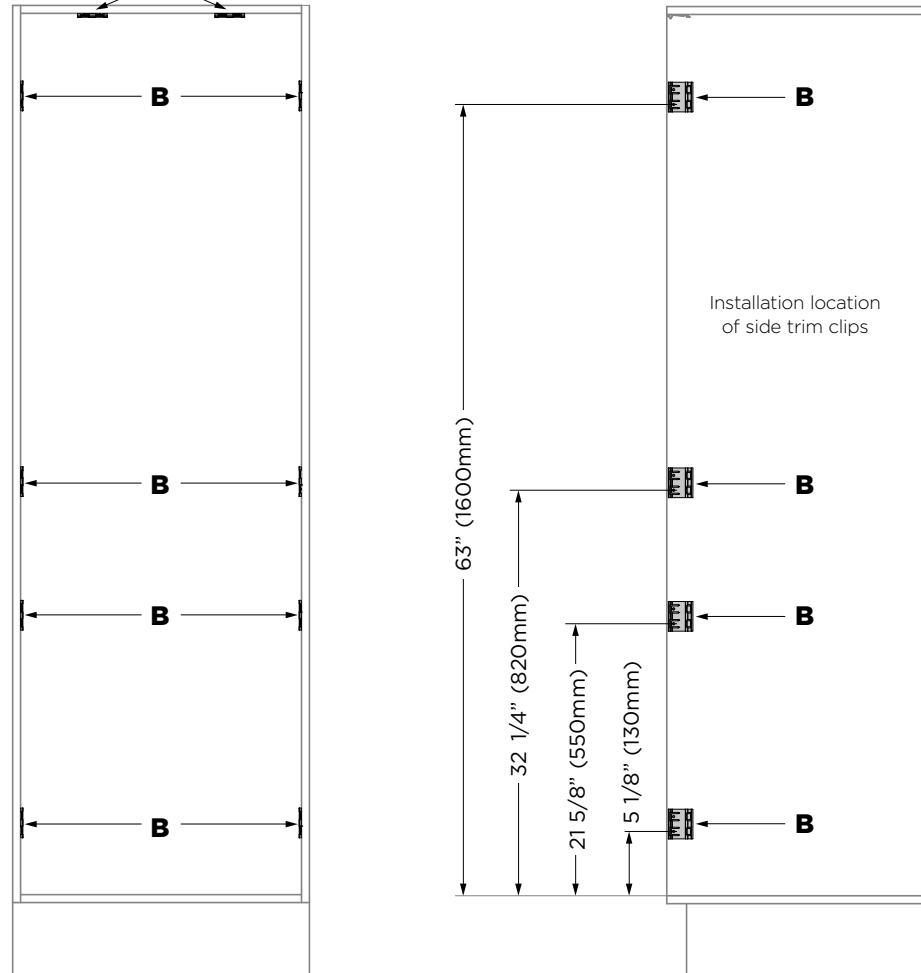
- 4 Remove the door hinges (C) and refit to the opposite side (as illustrated above).
- 5 Insert the hinge covers (B).
- 6 Insert the hinge hole plugs to the holes on the opposite side (A).

## 12 INSTALL TRIM CLIPS



### Installing trim clips to the cabinetry

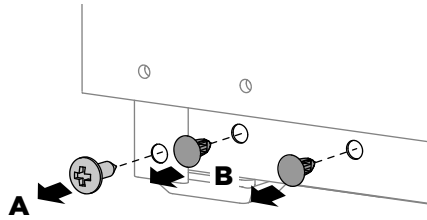
- ① Install top trim clips (**A**) to the top inside surface of the cabinetry at a minimum clearance of 5 1/8" (130mm) from the top side edge of the cabinetry.
- ② Install side trim clips (**B**) to the right and left side inner surfaces of the cabinetry. Drill each screw hole 9/16" (15mm) from the front edge of the cabinetry side (**C**).



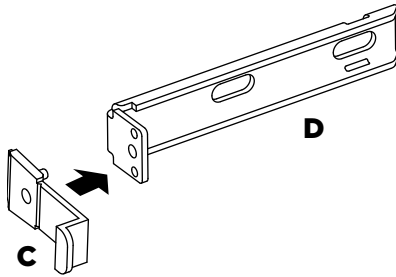
## 13 INSTALL CABINETRY ATTACHMENT BRACKETS

### Install cabinetry attachment bracket to the appliance

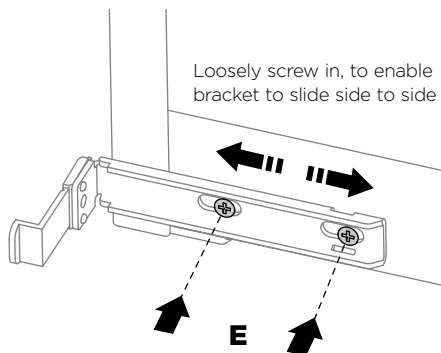
- 1 Remove the pre-existing screw/plastic washer (A) and plastic plugs (B) on the non-hinge side bottom corner of the appliance.



- 2 Attach the position adjustment plate (C) to the cabinetry attachment bracket (D) by inserting the knobs of the plate into the holes of the bracket.



- 3 Install the cabinetry attachment bracket to the bottom non-hinge side of the appliance by inserting two screws (E) into the existing plug holes.
  - Do not tighten fully to allow for adjustment.

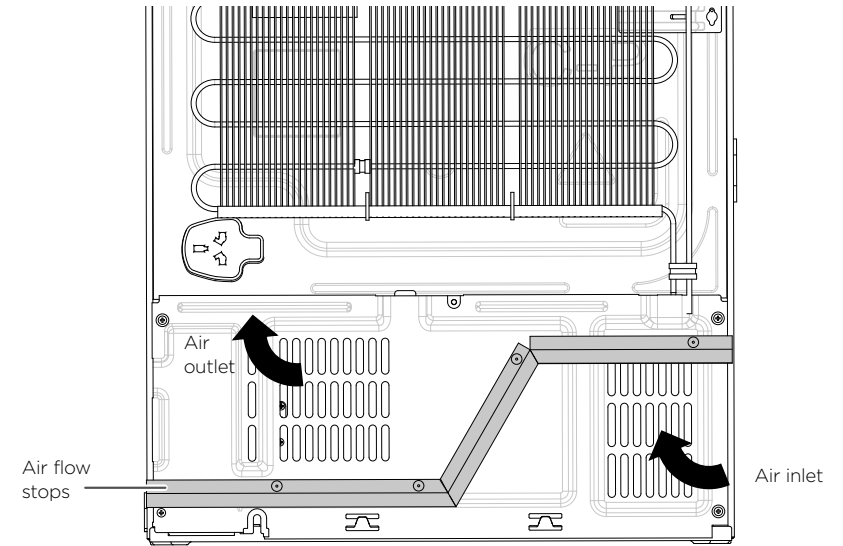


### Adjust the air flow stops

- 4 Adjust the air flow stops located on the back cover of the compressor. Ensure the air flow stops make contact with the cabinetry.

#### **IMPORTANT!**

It is possible for the air flow stops to get flattened during transport. If this happens, unfurl the air flow stops to ensure they meet the back of the cabinetry to help airflow.



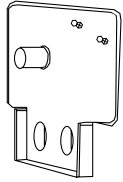
Adjust the air flow stops

## 14 INSTALL CLEARANCE ADJUSTMENT PLATES

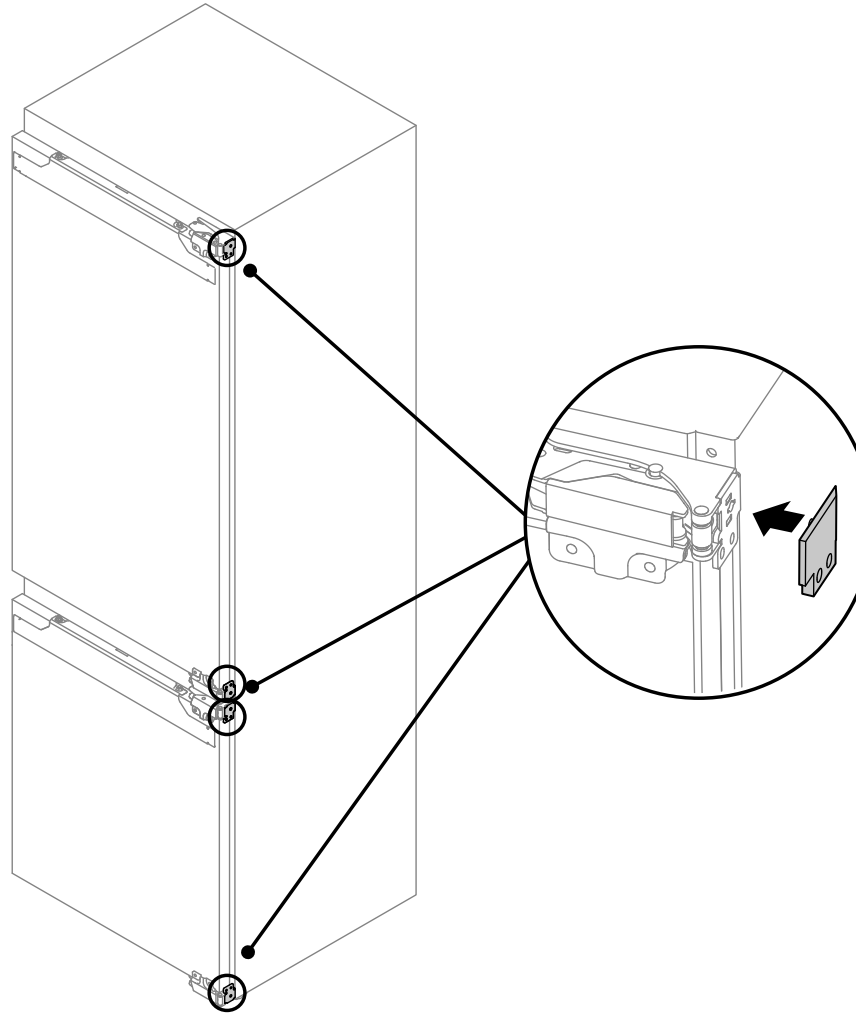
### IMPORTANT!

Clearance adjustment plates are installed depending on the overall dimensions of your cabinetry (see table for more information).

- ① Attach clearance adjustment plates to the door hinges of the refrigerator and freezer doors.
  - Ensure the correct orientation when attaching the plates.



Clearance adjustment plate



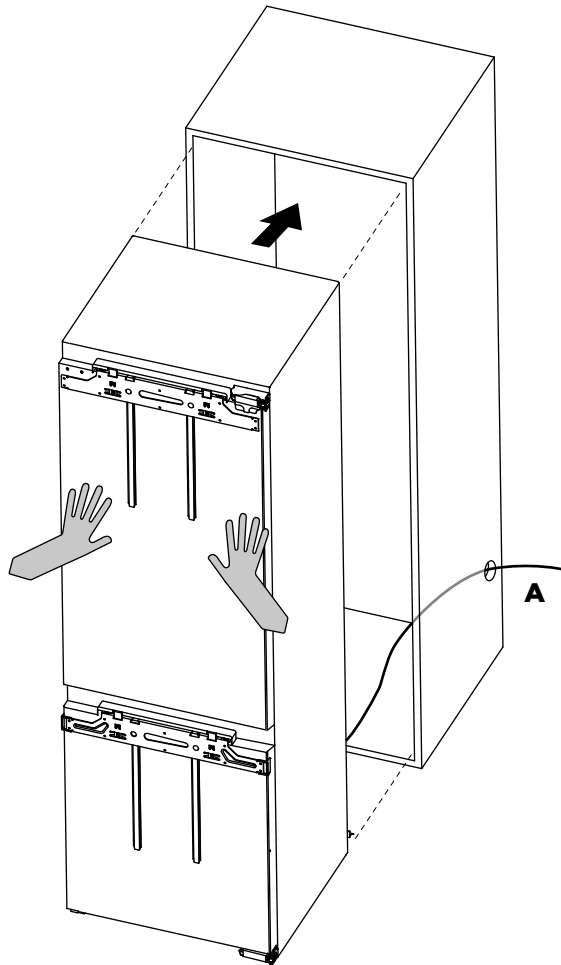
CABINERY	OUTSIDE WIDTH OF CABINERY in (mm)	INSIDE WIDTH OF CABINERY in (mm)	THICKNESS OF SIDE PANEL in (mm)	CLEARANCE ADJUSTMENT PLATE
Standard US	24" (609)	22 1/2" (571.5)	3/4" (19)	✓
Standard European	23 5/8" (600)	22 1/4" (564)	11/16" (18)	✗*
		22 1/2" (570)	5/8" (15)	✓

\* The clearance adjustment plate is not necessary if the outside width of your cabinetry is 23 5/8" (600mm) with 22 1/4" (564mm) inside dimension and 11/16" (18mm) side panels.

## 15 POSITION YOUR APPLIANCE INSIDE THE CABINETY

### Connecting the appliance to the power supply

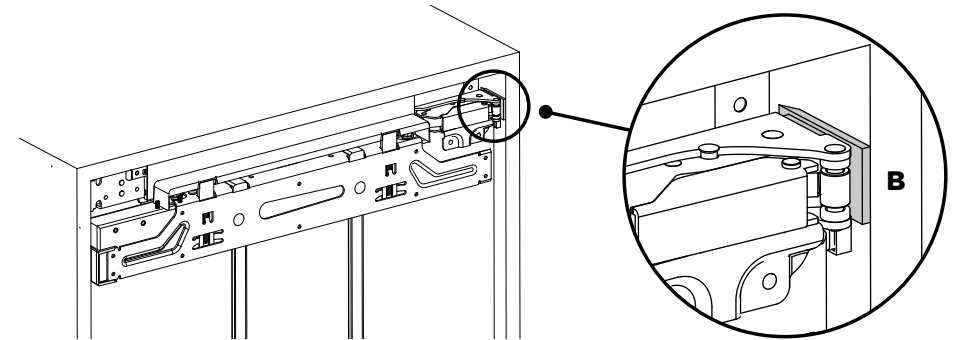
- 1 Move the appliance in front of the cabinetry close enough that you can access behind to connect the power supply.



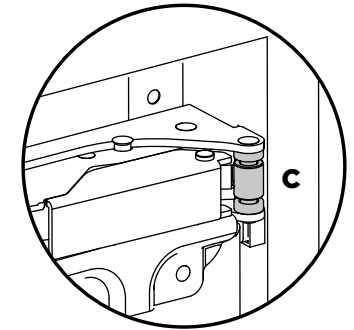
- 2 Connect the power cord of the appliance to the power outlet (A) and turn ON before placing into the cabinetry.
  - Ensure that the power cord does not bend or get entangled to prevent damage that can cause a fire hazard.

### Aligning the appliance inside the cabinetry

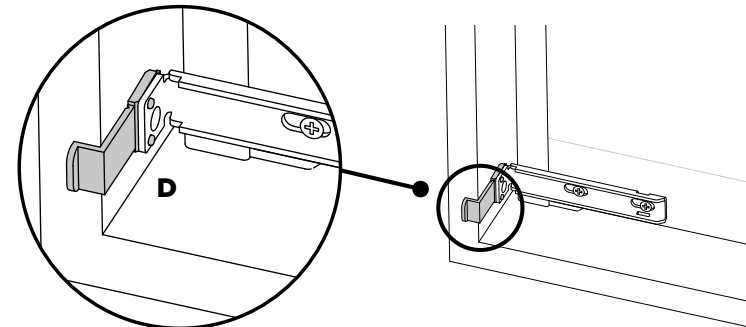
- 3 Push the appliance all the way into the cabinetry and adjust its position.
  - Ensure the front edges of all clearance adjustment plates (refrigerator and freezer doors) are flush with the cabinetry front edge (B).



Note: If not using clearance adjustment plates, ensure the front face of each door hinge is flush with the cabinetry front edge (C).

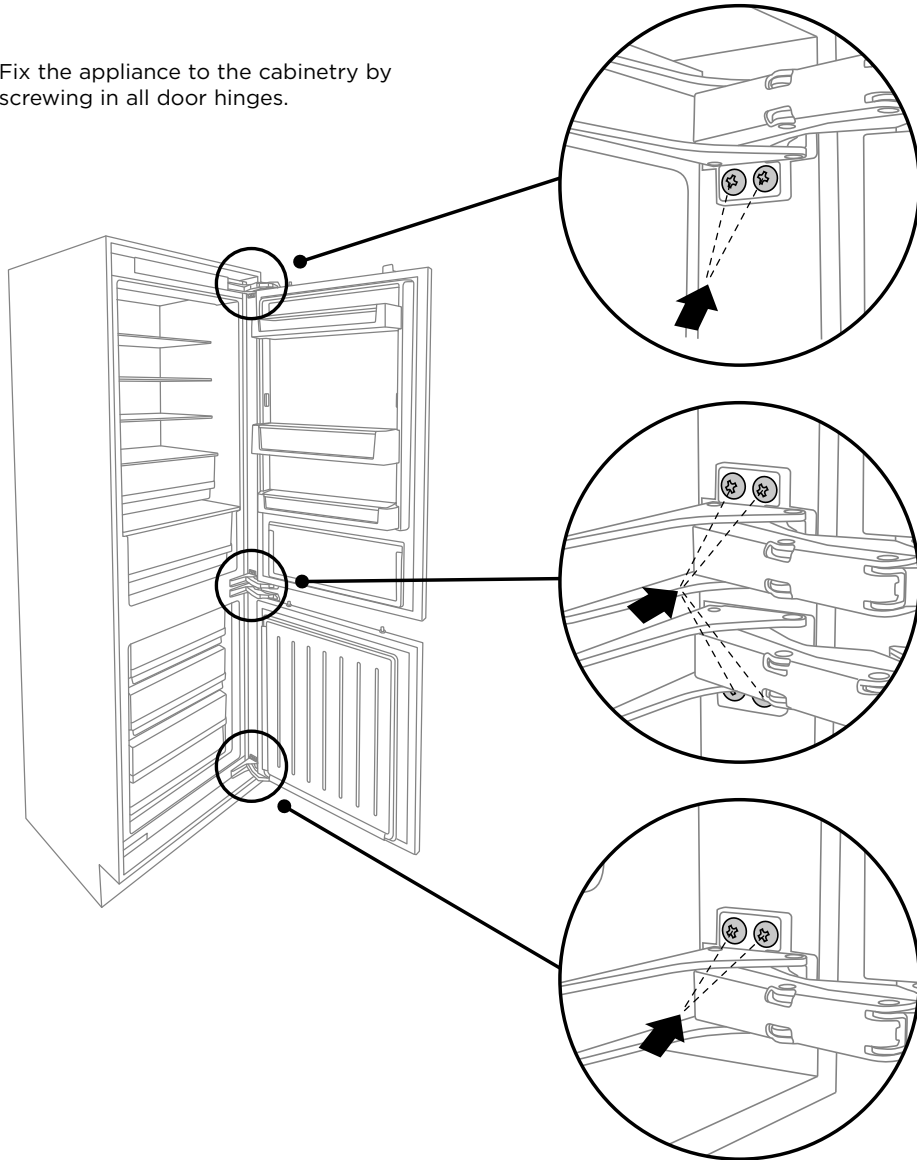


- 4 Ensure the front tab of the position adjustment plate is up against the cabinetry front edge (D).

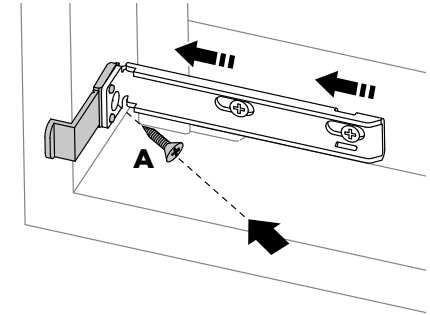


## 16 FIX YOUR APPLIANCE INSIDE THE CABINETY

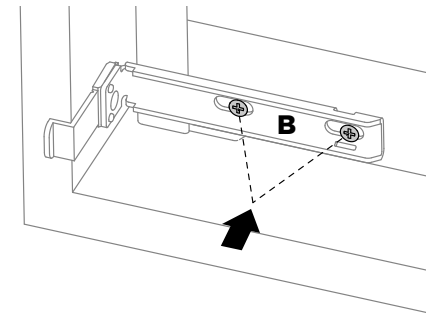
- ① Fix the appliance to the cabinetry by screwing in all door hinges.



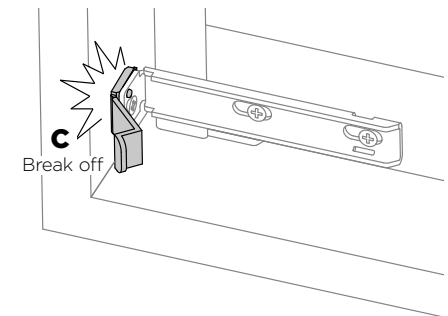
- ② Slide the cabinetry attachment bracket towards the cabinetry wall so that the position adjustment plate is pressed against the cabinetry wall, and then fix with a wood screw (A).



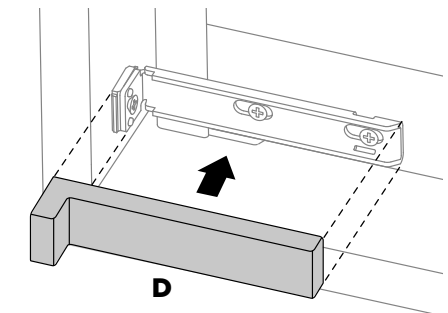
- ③ Tighten the attachment bracket screws (B).



- ④ Once the appliance is fixed into the cabinetry, break off the tab of the position adjustment plate (C).



- ⑤ Place the bracket cover on the cabinetry attachment bracket (D).



## 17 INSTALL THE TRIMS

### Top trim

- ① Slide the LH and RH top corners (**A**) into the ends of the top trim (**B**).
- ② Fix the top trim to the trim clips (**C**).

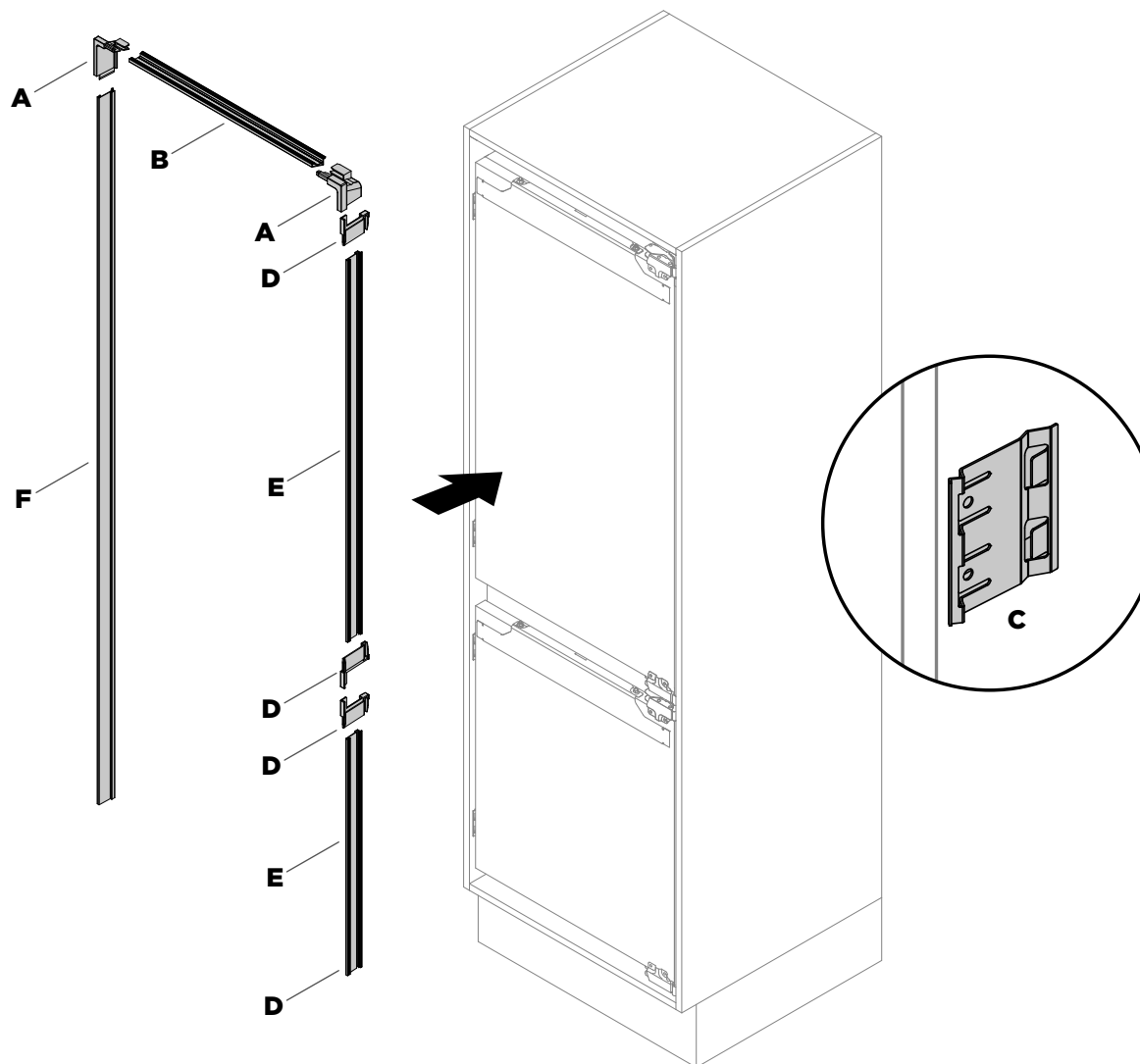
Note: You may need to cut the top trim depending on the overall dimensions of your cabinetry. (See table for more information).

### Top and bottom side trims (hinged side)

- ③ Slide the trim ends (**D**) to the top and bottom ends of each side trim (**E**).
- ④ Fix the side trims to the trim clips (**C**).

### Side trim (non-hinged side)

- ⑤ Slide the top end of the side trim (**F**) into the LH top corner (**A**).
- ⑥ Fix the side trim to the trim clips (**C**).



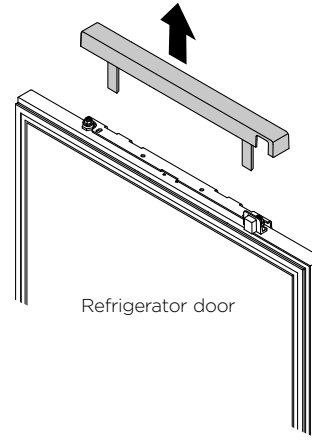
CABINERY	OUTSIDE WIDTH OF CABINERY in (mm)	INSIDE WIDTH OF CABINERY in (mm)	THICKNESS OF SIDE PANEL in (mm)	1/8" (4mm) TO BE CUT FROM TOP TRIM
Standard US	24" (609)	22 1/2" (571.5)	3/4" (19)	X
Standard European	23 5/8" (600)	22 1/4" (564)	11/16" (18)	✓
		22 1/2" (570)	5/8" (15)	X

**IMPORTANT!**

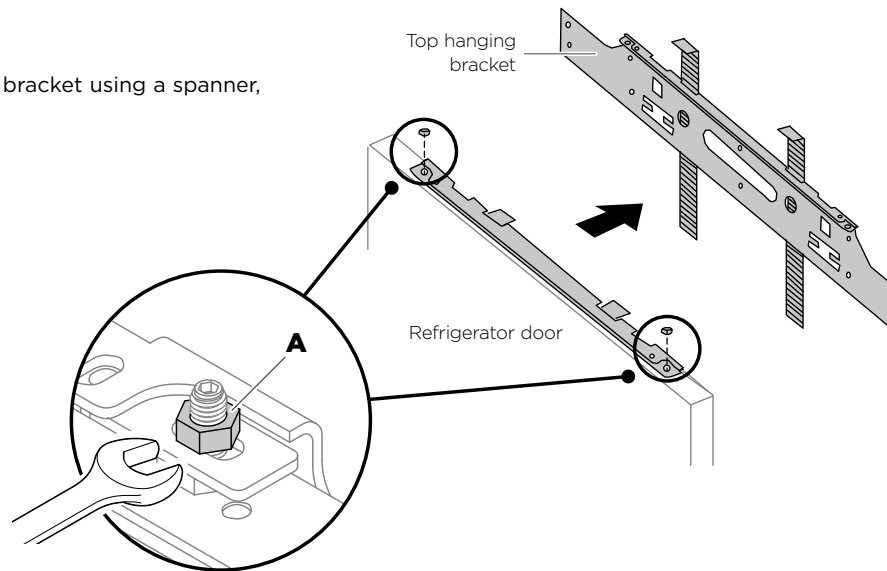
- Ensure to protect the finish of the Fisher & Paykel Stainless steel door panels.
- Leave the protective film on the panels when hanging and remove the film only when the installation is complete.

**Removing the hanging bracket**

- ① Open the refrigerator door and remove the top hanging bracket cover by drawing out upwards.



- ② Remove the two side adjustment nuts (A) on the top hanging bracket using a spanner, then remove the top hanging bracket and rulers together.
- Keep the hanging bracket to reinstall later.



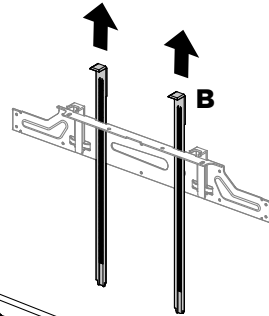
Repeat steps ① - ② for the freezer door.



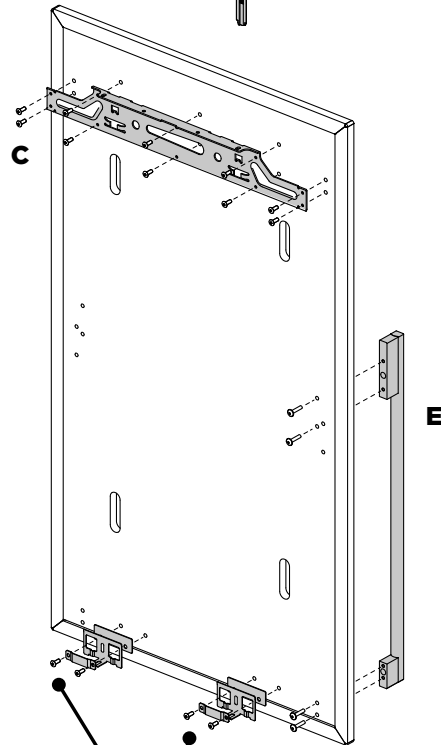
## 18 INSTALL DOOR PANELS (STAINLESS STEEL)

### Installing the hanging and attachment brackets

- ③ Remove the rulers (**B**) from the top hanging bracket and discard.



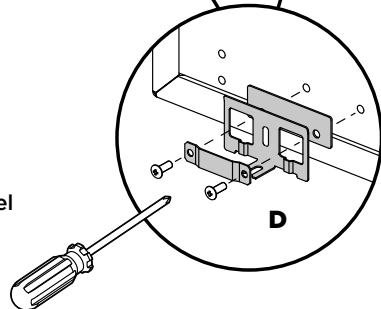
- ④ Align the screw holes of the top hanging bracket with the screw holes of the top door panel and fix the bracket with supplied M5x12 screws (**C**).
- ⑤ Align the screw holes of the bottom attachment bracket assembly (Bottom attachment bracket, Side spacer bracket, Bottom attachment strap) with the screw holes of the top door panel, and fix with M5x12 screws (**D**).



### Attaching the door handle

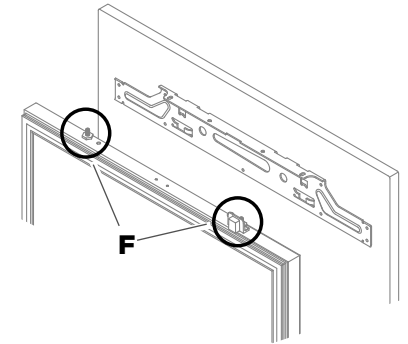
- ⑥ Remove the plastic plugs from handle holes (4x).
- ⑦ Align the handle to the holes and secure with M5x25 hex screws (**E**).

Repeat steps ③ - ⑦ for the door panel of freezer door.

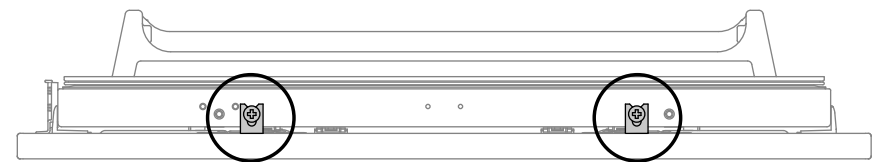
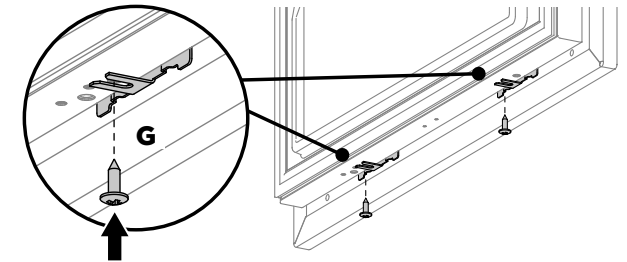


### Hanging the door panel

- ⑧ Open the refrigerator door.
- ⑨ Hang the top door panel onto the height adjustment nuts (**F**) at the top of the refrigerator door.



- ⑩ Align the bottom attachment brackets with screw holes at the bottom of the top door panel. Fasten with bottom attachment screws (**G**).
- Do not tighten fully to allow adjustment of the top door panel.

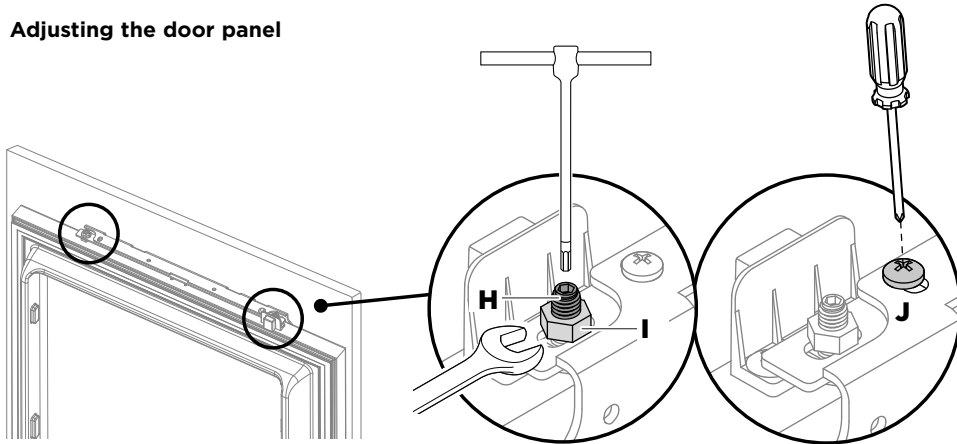


Bottom view of door

Repeat steps ⑧ - ⑩ for the door panel of freezer door.  
**Note:** The magnet sensor is installed only on the refrigerator door.

## 18 INSTALL DOOR PANELS (STAINLESS STEEL)

### Adjusting the door panel



#### Height adjustment of the door panel

- 11 Turn the height adjustment nuts (**H**) with a hex key. Hold the side adjustment nuts (**J**) in place with a spanner to ensure it does not rotate when turning the height adjustment nuts.
- We recommend to use a T-handle hex key so that the height adjustment nuts can be turned easily without being blocked by the magnet sensor.
  - If the height adjustment nuts cannot be adjusted, check the left and right clearances of the top hanging bracket.

#### Side adjustment of the door panel

- 12 Move the door panel slightly sideways to adjust the side alignment.
- 13 Screw the side adjustment nuts (**I**) onto the thread of the height adjustment nuts to secure the door panel to the refrigerator door.

#### Depth adjustment of the door panel

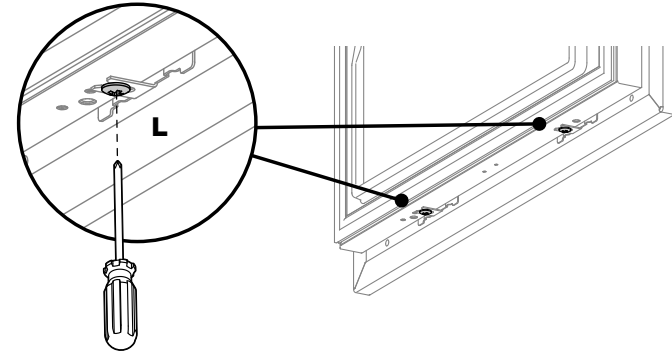
- 14 Loosen the depth adjustment nuts (**J**) and move the door panel forward/backward to adjust the depth position.
- 15 Tighten the nuts fully after you are satisfied with the adjustments.

Repeat steps 11 – 15 for the door panel of freezer door.

Note: The magnet sensor is installed only on the refrigerator door.

### Fixing the top door panel

- 16 Once you are satisfied with the adjustment, fully tighten the screws of the bottom attachment brackets (**K**) to secure the door panel.

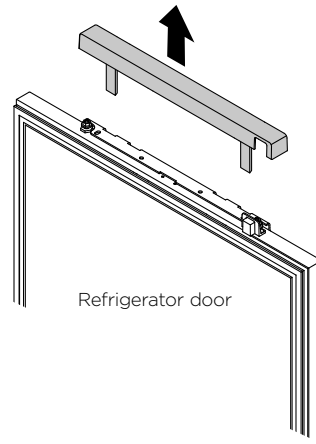


Repeat step 16 for the door panel of freezer door.

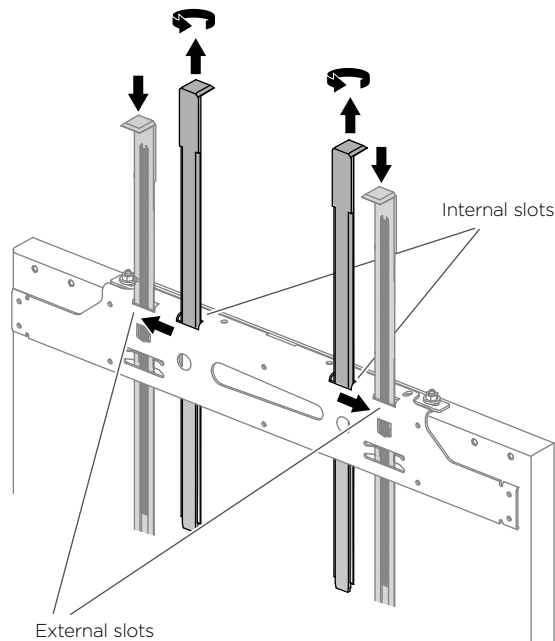
## 19 INSTALL TOP DOOR PANEL (CUSTOM)

### Removing the hanging bracket

- 1 Open the refrigerator door and remove the top hanging bracket cover by drawing out upwards.

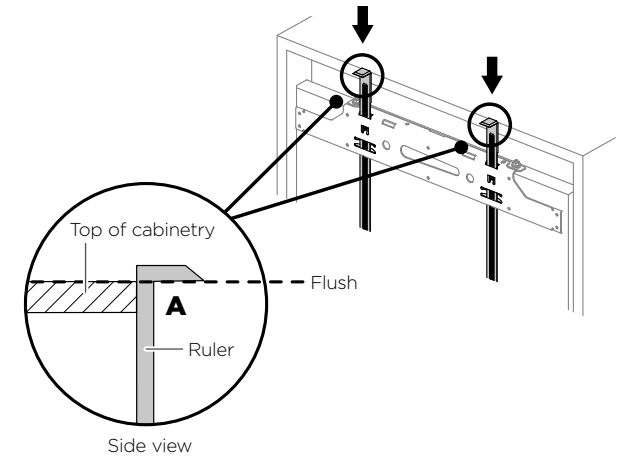


- 2 Pull out the rulers from the **internal slots** of the top hanging bracket and turn the rulers around.

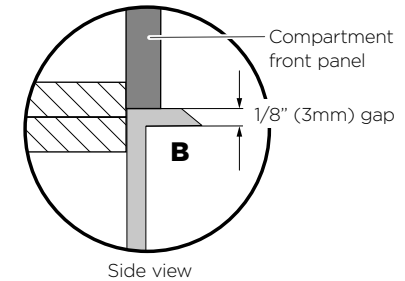


- 3 Insert the rulers into the **external slots** of the top hanging bracket with the overhang of the rulers pointing outward.

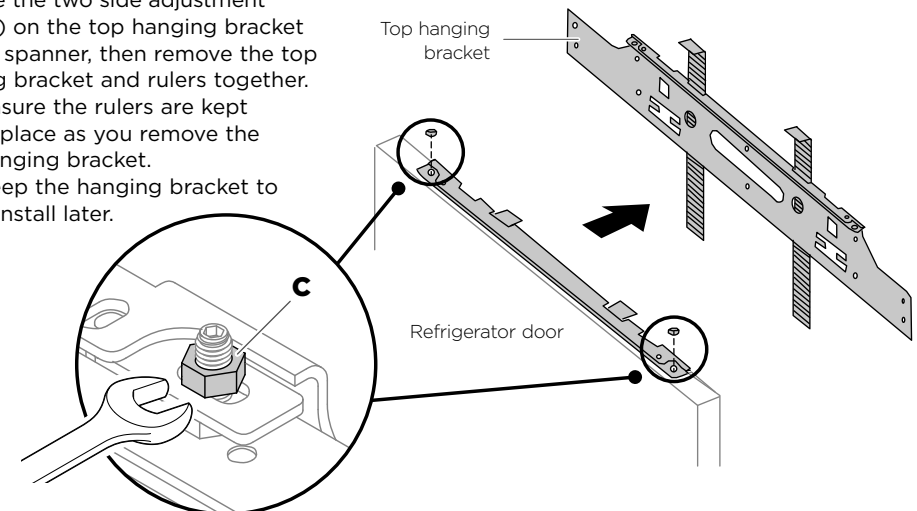
- 4 Push the rulers down so that the underside of the overhang of the ruler is flush with the top of the cabinetry (**A**).



- Note:
- If there is an existing compartment on top of the cabinetry, push the rulers so that the overhang of each ruler contacts the bottom of compartment front panel (**B**).
  - The overhang creates a 1/8" (3mm) gap between top and bottom door panels.



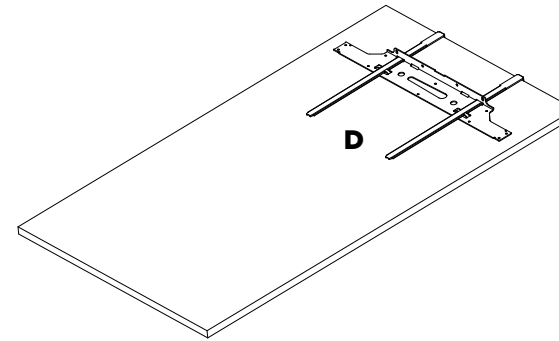
- 5 Remove the two side adjustment nuts (**C**) on the top hanging bracket using a spanner, then remove the top hanging bracket and rulers together.
  - Ensure the rulers are kept in place as you remove the hanging bracket.
  - Keep the hanging bracket to reinstall later.



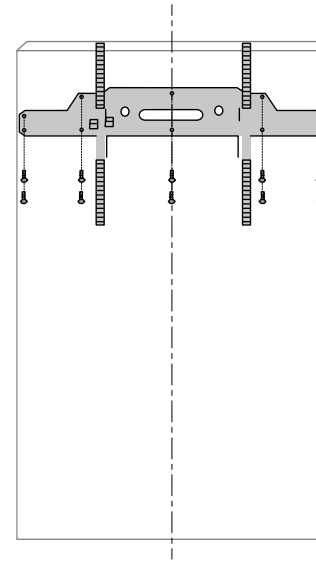
## 19 INSTALL TOP DOOR PANEL (CUSTOM)

### Installing the hanging and attachment brackets

- ⑥ Lay the top custom door panel (face down) onto the floor and place the top hanging bracket on the door panel. Latch the rulers on top of the door panel (**D**).



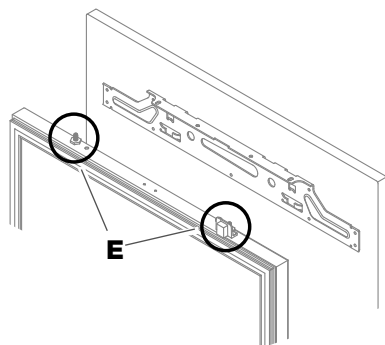
- ⑦ Align the center line of the top hanging bracket with the center of the top door panel.  
⑧ Once aligned, fix the top hanging bracket to the top door panel with wood screws.  
⑨ Remove the rulers from the top hanging bracket and discard.



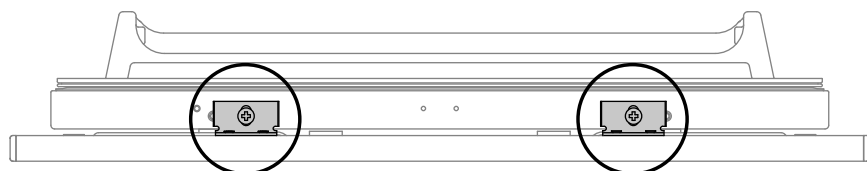
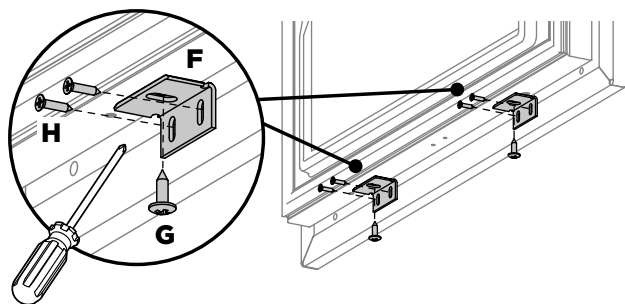
## 19 INSTALL TOP DOOR PANEL (CUSTOM)

### Hanging the door panel

- 10 Open the refrigerator door.
- 11 Hang the top door panel onto the height adjustment nuts (E) at the top of the refrigerator door.

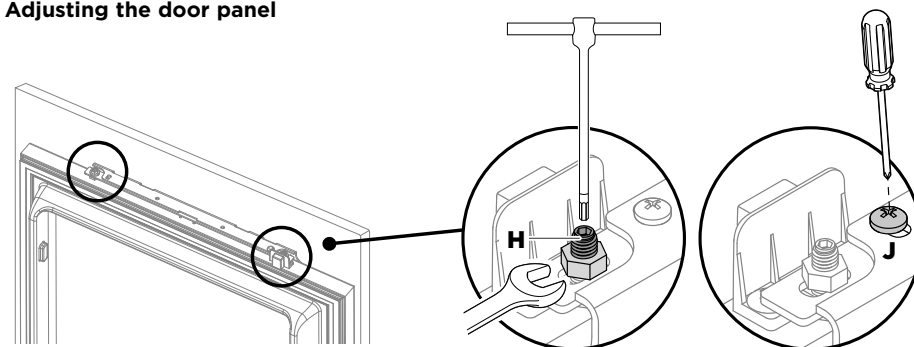


- 12 Align the bottom attachment brackets (F) with the screw holes at the bottom of the top door panel. Fasten with cabinetry attachment screws (G) and wood screws (H).
  - Do not tighten fully to allow adjustment of the top door panel.



Bottom view of door

### Adjusting the door panel

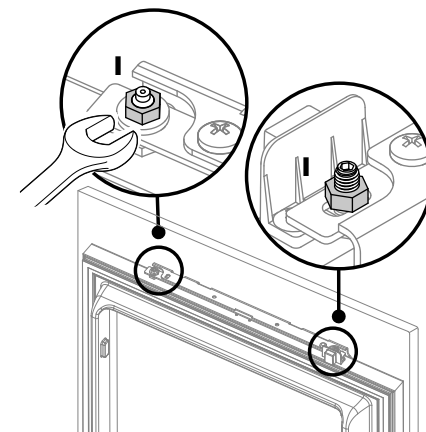


#### Height adjustment of the door panel

- 13 Turn the height adjustment nuts (H) with a hex key.
  - We recommend to use a T-handle hex key so that the height adjustment nuts can be turned easily without being blocked by the magnet sensor.
  - If the height adjustment nuts cannot be adjusted, check the left and right clearances of the top hanging bracket.

#### Side adjustment of the door panel

- 14 Move the door panel slightly sideways to adjust the side alignment.
- 15 Screw the side adjustment nuts (I) onto the thread of the height adjustment nuts to secure the door panel to the refrigerator door.

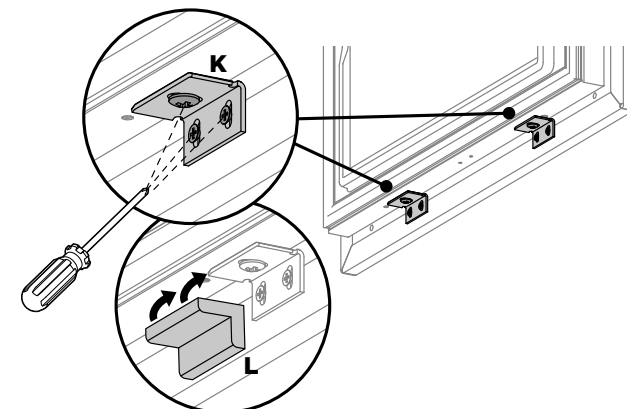


#### Depth adjustment of the door panel

- 16 Loosen the depth adjustment nuts (J) and move the door panel forward/backward to adjust the depth position.
- 17 Tighten the nuts fully after you are satisfied with the adjustments.

#### Fixing the top door panel

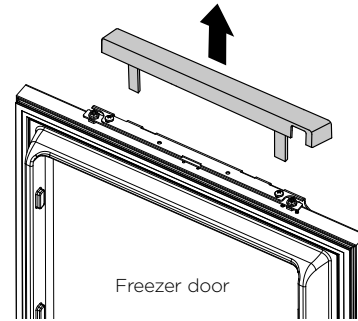
- 18 Once you are satisfied with the adjustment, fully tighten the screws of the bottom attachment brackets (K) to secure the door panel.
- 19 Place the bracket covers on the bottom attachment brackets (L).



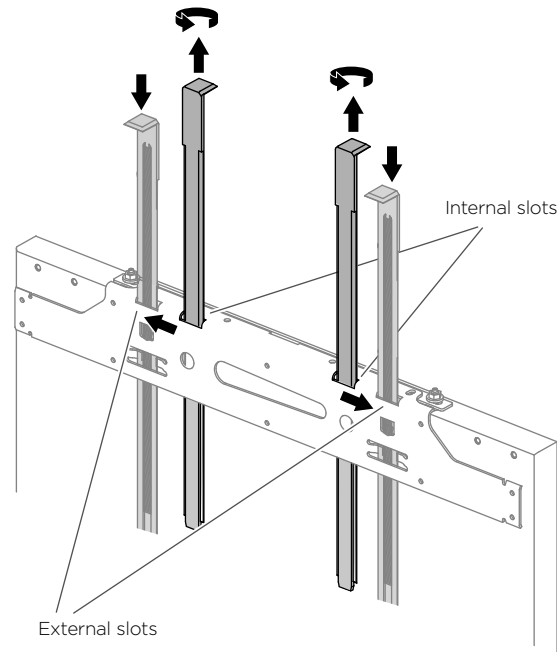
## 20 INSTALL BOTTOM DOOR PANEL (CUSTOM)

### Removing the hanging brackets

- 1 Open the freezer door and remove the top hanging bracket cover by drawing out upwards.

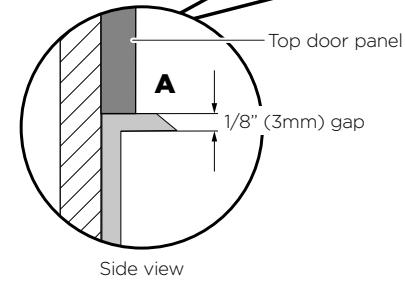


- 2 Pull out the rulers from the **internal slots** of the top hanging bracket and turn the rulers around.

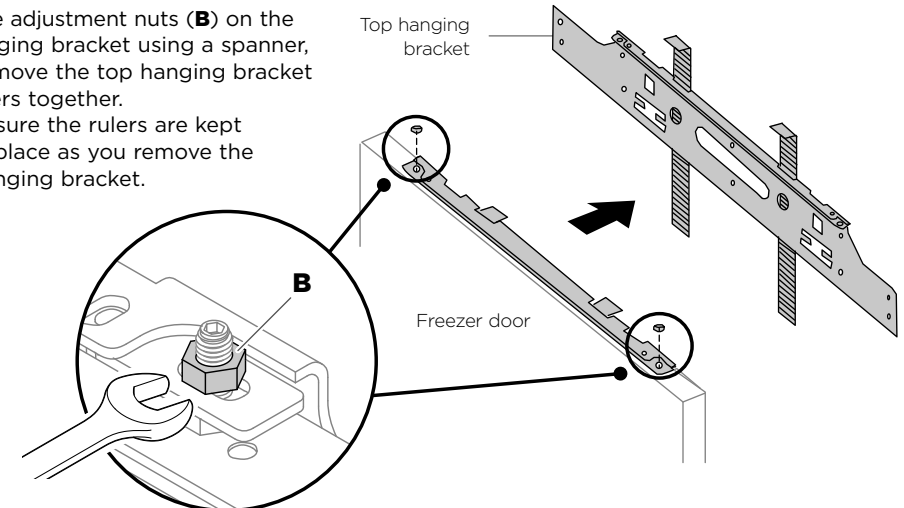


- 3 Insert the rulers into the **external slots** of the top hanging bracket with the overhang of the rulers pointing outward.

- 4 Push the rulers down and close the freezer door. Adjust the rulers so that the top side of the overhang of each ruler contacts the bottom of the top door panel. **(A)**.



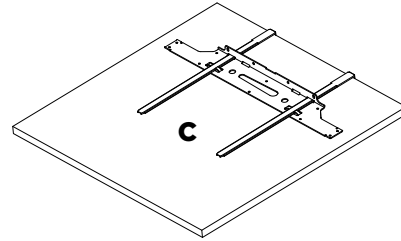
- 5 Open the freezer door. Remove the two side adjustment nuts **(B)** on the top hanging bracket using a spanner, then remove the top hanging bracket and rulers together.
  - Ensure the rulers are kept in place as you remove the hanging bracket.



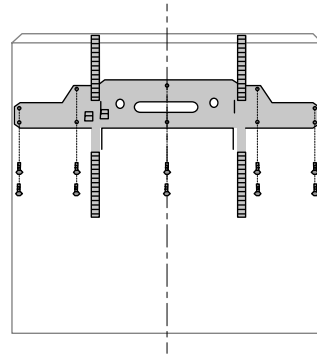
## 20 INSTALL BOTTOM DOOR PANEL (CUSTOM)

### Installing the hanging and attachment brackets

- ⑥ Lay the bottom custom door panel (face down) onto the floor and place the top hanging bracket on the door panel. Latch the rulers on top of the door panel (C).

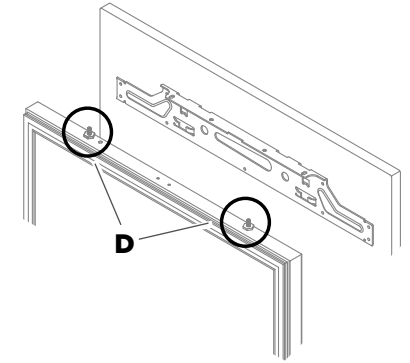


- ⑦ Align the center line of the top hanging bracket with the center of the top door panel.  
⑧ Once aligned, fix the top hanging bracket to the bottom door panel with wood screws.  
⑨ Remove the rulers from the top hanging bracket and discard.

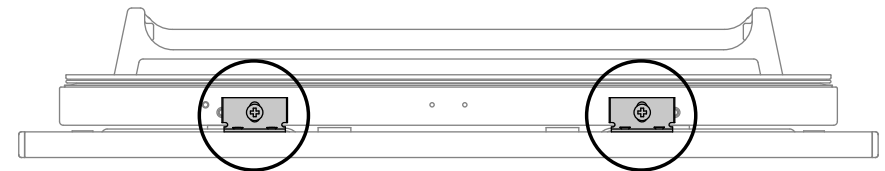
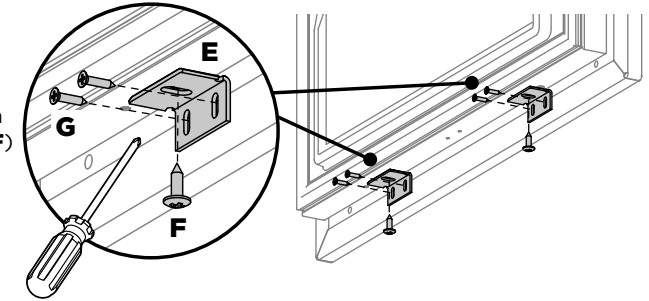


### Hanging the door panel

- ⑩ Open the freezer door.  
⑪ Hang the bottom door panel onto the height adjustment nuts (D) at the top of the freezer door.



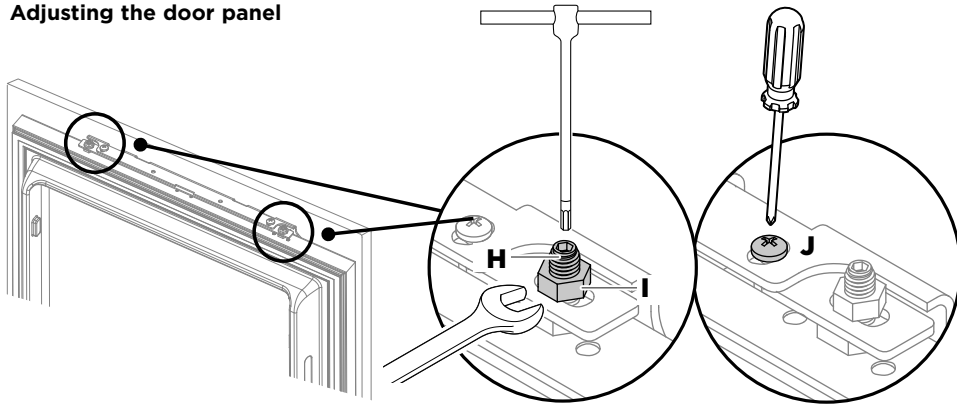
- ⑫ Align the bottom attachment brackets (E) with the screw holes at the bottom of the bottom door panel. Fasten with cabinetry attachment screws (F) and wood screws (G).  
- Do not tighten fully to allow adjustment of the bottom door panel.



Bottom view of door

## 20 INSTALL BOTTOM DOOR PANEL (CUSTOM)

### Adjusting the door panel



#### Height adjustment of the door panel

- 13 Turn the height adjustment nuts (**H**) with a hex key. Hold the side adjustment nuts (**J**) with a spanner wrench to ensure it does not rotate when turning the height adjustment nuts.
- If the height adjustment nuts cannot be adjusted, check the left and right clearances of the bottom hanging bracket.

#### Side adjustment of the door panel

- 14 Move the door panel slightly sideways to adjust the side alignment.
- 15 Screw the side adjustment nuts (**I**) onto the thread of the height adjustment nuts to secure the door panel to the refrigerator door.

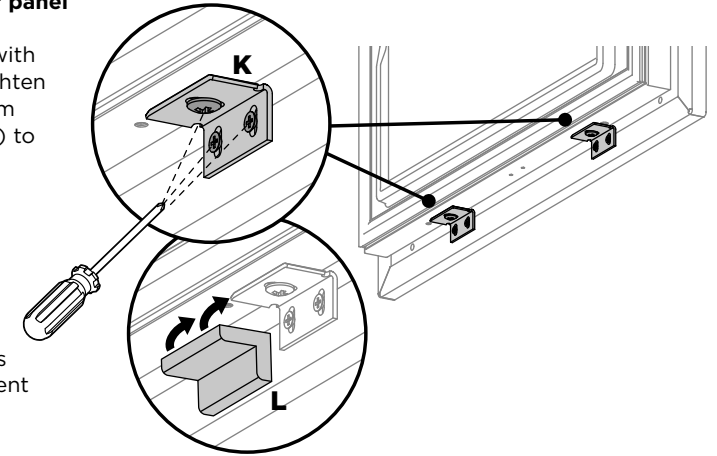
#### Depth adjustment of the door panel

- 16 Loosen the depth adjustment nuts (**J**) and move the door panel forward/backward to adjust the depth position.
- 17 Tighten the nuts fully after you are satisfied with the adjustments.

### Fixing the bottom door panel

- 18 Once you are satisfied with the adjustment, fully tighten the screws of the bottom attachment brackets (**K**) to secure the door panel.

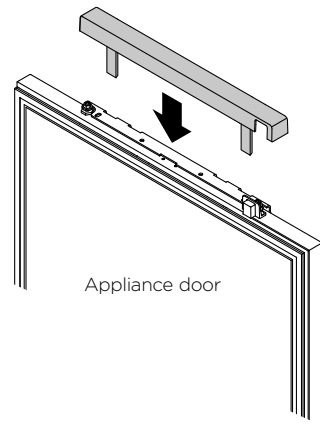
- 19 Place the bracket covers on the bottom attachment brackets (**L**).



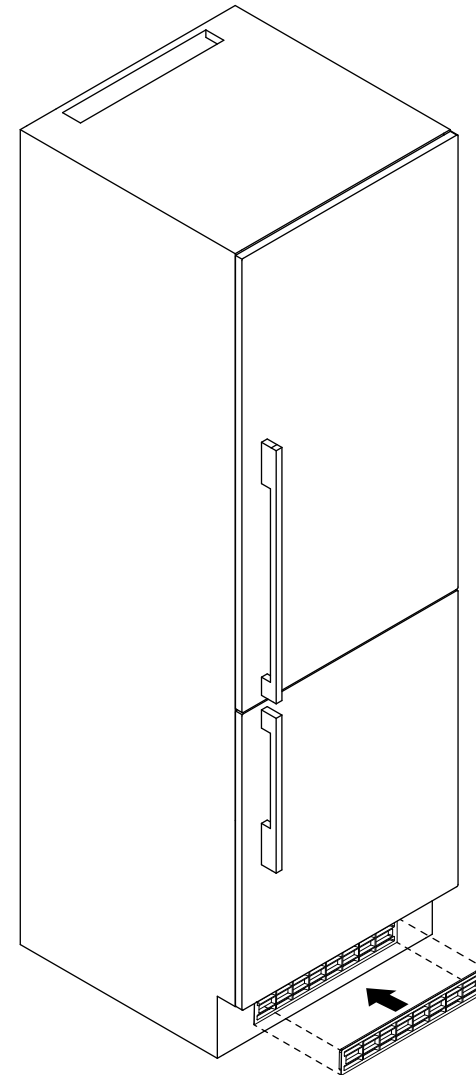


**Reinstall the hanging bracket covers**

- ① Re-insert the hanging bracket covers onto the top hanging brackets.

**Installing the (optional) inlet vent grille**

- ② Install the inlet vent grille to the inlet vent at the toe kick section of the cabinetry.
  - The grille can be purchased as an accessory.



✓ **TO BE COMPLETED BY THE INSTALLER**

**All models**

- Check all parts are installed.
- Ensure the appliance is level.
- Ensure the appliance is securely fastened to the cabinetry with the supplied fittings.
- Ensure the doors can open and close freely with no resistance from surrounding cabinetry.
- Ensure all internal and external packaging is removed from the appliance before use.

---

Complete and keep for safe reference:

Model \_\_\_\_\_

Serial No. \_\_\_\_\_

Purchase Date \_\_\_\_\_

Purchaser \_\_\_\_\_

Dealer Address \_\_\_\_\_

Installer's Name \_\_\_\_\_

Installer's Signature \_\_\_\_\_

Installation Company \_\_\_\_\_

Installation Date \_\_\_\_\_

**FISHERPAYKEL.COM**

© Fisher & Paykel Appliances 2018. All rights reserved.  
The appliance specifications in this booklet apply to the specific appliances and models described at the date of issue. Under our policy of continuous appliance improvement, these specifications may change at any time. You should therefore check with your Dealer to ensure this booklet correctly describes the appliance currently available.