

FISHER & PAYKEL

INTEGRATED COOLDRAWER™



MULTI-TEMPERATURE DRAWER

RB36S model

INSTALLATION GUIDE

US CA

CONTENTS

Safety and warnings	4
Integrated CoolDrawer™	5
Supplied parts	5
Drawer panels	6
Handle kit	6
Product dimensions	7
Stainless steel panel dimensions	8
Custom panel dimensions — single panel	9
Custom panel dimensions — dual panel	10
Cabinetry dimensions — framed	11
Cabinetry dimensions — frameless	12
Electrical connection	13
Cabinetry preparation	14
Panel preparation	15
Attach drawer panel	17
Secure product to cabinetry	18
Attach side trims to cabinetry	18
Attach false panel	18
Final checklist	19

⚠ WARNING!



Electric Shock Hazard

Failure to follow this advice may result in electrical shock or death.

- Read and follow the safety and warnings outlined in this installation guide before operating this appliance.

⚠ WARNING!



Cut Hazard

Failure to use caution could result in injury.

- Take care: panel edges may be sharp.
- Do not put fingers in the drawers when closing.

⚠ WARNING!



Tip Hazard

- Do not operate this appliance until it has been securely anchored inside the cabinetry.

To ensure that the appliance is stable under all loading conditions:

- The appliance must be securely anchored to the floor by a professional installer according to the installation steps in this guide.

READ AND SAVE THIS GUIDE

WARNING!

To avoid hazard, follow these instructions carefully before installing or using this appliance.

- Please make this information available to the persons installing the appliance.
- Assume all electrical parts are live.
- Disconnect power supply before servicing and installation.

BEFORE INSTALLATION

- The appliance must be installed by a qualified installer, or Fisher and Paykel trained and supported service technician to avoid faulty electrical connection.
- All connections for electrical power and grounding must comply with local codes and ordinances and be made by licensed personnel when required.
- Avoid installation of the appliance/s under a ground fault circuit interrupter (GFCI).
- Ensure the appliance is installed properly. Improper installation that results in appliance failure is not covered under the appliance warranty.

UNPACKING

- Remove all packaging materials supplied with the appliance.
- Avoid scratching the surface of your appliance when moving or installing.
- If the appliance is damaged, contact your Fisher and Paykel dealer.
- Ensure all components and accessories are complete.

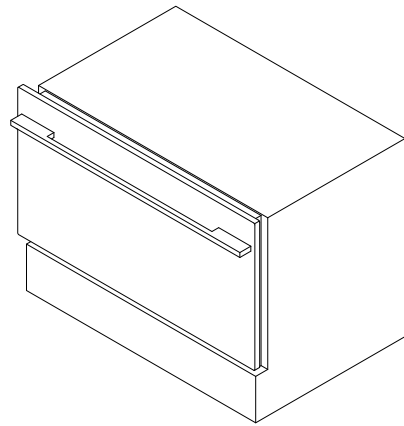
ELECTRICAL/PLUMBING

- We recommend to locate the electrical connection of the appliance in an adjacent area or unit (cabinet or cupboard) that are easily accessible in case of repair or disconnection.
- Ensure the power outlet is located outside the cavity, within 72 13/16" (1850mm) from the CoolDrawer™ cavity if situated on the left-hand side of the cavity, and within 49 3/16" (1250mm) if situated on the right-hand side of the cavity.
- The services hole in the cavity needs to be large enough for the power supply plug to fit through.

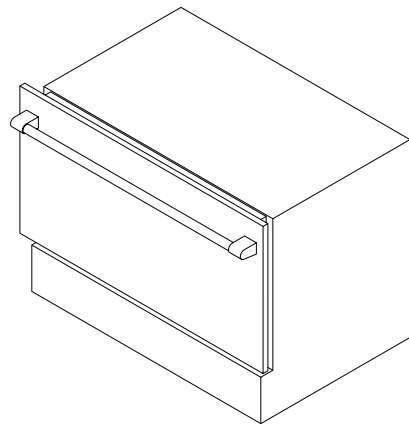
INSTALLATION

- The installation bracket and fittings supplied must be fitted to the wall of the finished enclosure to withstand a 100kg load.
- Ensure that the installation bracket is installed correctly to prevent the possibility of the appliance tipping forward when the drawer is open.
- Ensure the power cord is not run over or damaged when installing the product into the cabinetry.
- For flush installation, ensure the drawer panel is installed flush with cabinetry front surface. Ensure the appliance is properly centered.
- Complete the final checklist after installation is complete.
- Protect the finish of the Fisher and Paykel Stainless Steel door panel from any scratch or damage.
- If using Custom door panels, ensure they are prepared as per 'Custom door panel install dimensions' section.
- The thickness of the custom door panel can vary as long as the screws do not penetrate beyond the full depth of the door panel, and as long as the overall weight of door panel does not exceed the allowable weight. Refer to 'Door panel dimensions' for maximum door panel weight of your product.

INTEGRATED COOLDRAWER™



With Contemporary style handle



With Professional style handle

SUPPLIED PARTS



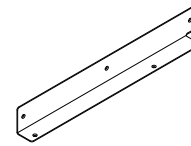
Installation guide



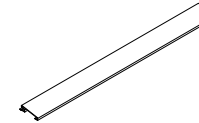
Service & Warranty



User guide



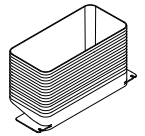
Installation brackets (2x)



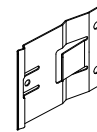
Installation trim (2x)



Power cord (1x)



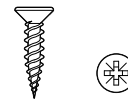
Vent duct (1x)



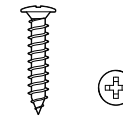
Trim brackets (4x)



Drawer panel attachment hooks (3x)



8Gx16 Countersunk screw (12x)

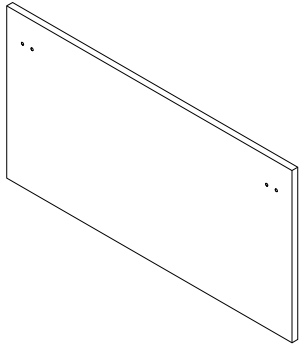


16mm Pan head screw (14x)

DRAWER PANELS

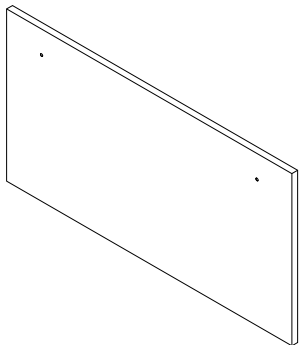
The Stainless steel drawer panel is not supplied and must be purchased separately through an authorised Fisher and Paykel dealer. Visit fisherpaykel.com for more information.

Contemporary



DESCRIPTION	MODEL CODE
Contemporary drawer panel	RD3625S UB

Professional

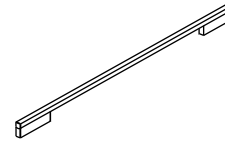


DESCRIPTION	MODEL CODE
Professional drawer panel	RB36SC

HANDLE KIT

The handle kit is not supplied and must be purchased separately through an authorised Fisher & Paykel dealer. Visit fisherpaykel.com for more information.

Contemporary

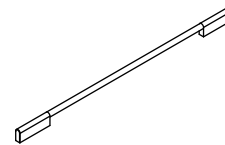


Square handle (1x)



M5x25 Hex screw (4x)

DESCRIPTION	MODEL CODE
Stainless steel silver square handle	AHD3-RB90S
Stainless steel silver square fine handle	AHD5-RD36S
Stainless steel black square fine handle	AHD5-RD36SB



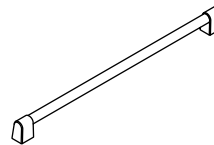
Round handle (1x)



M5x25 Hex screw (4x)

DESCRIPTION	MODEL CODE
Aluminium silver round handle	AHS-RB90S

Professional



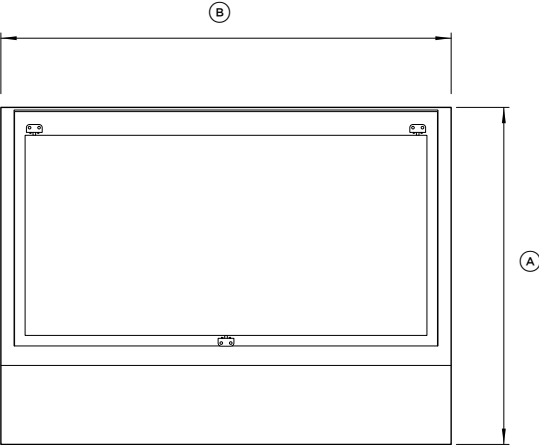
Round handle (1x)



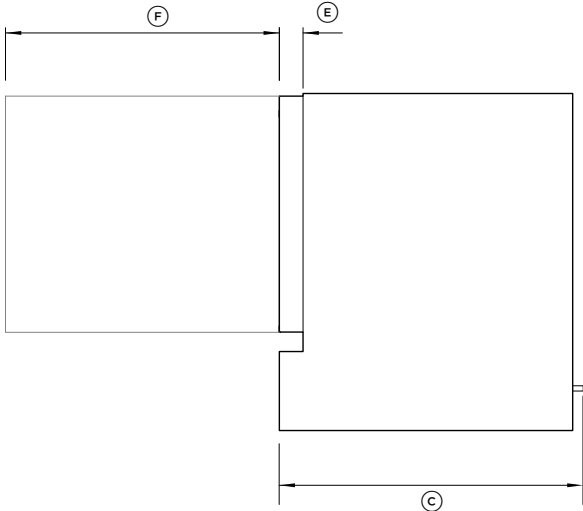
M5x25 Hex screw (2x)

DESCRIPTION	MODEL CODE
Stainless steel round handle	RD3625
Stainless steel round flush handle	AHP3-RD36S

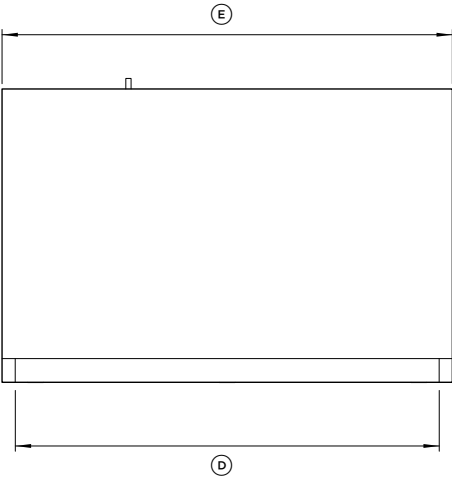
PRODUCT DIMENSIONS



FRONT VIEW



PROFILE VIEW



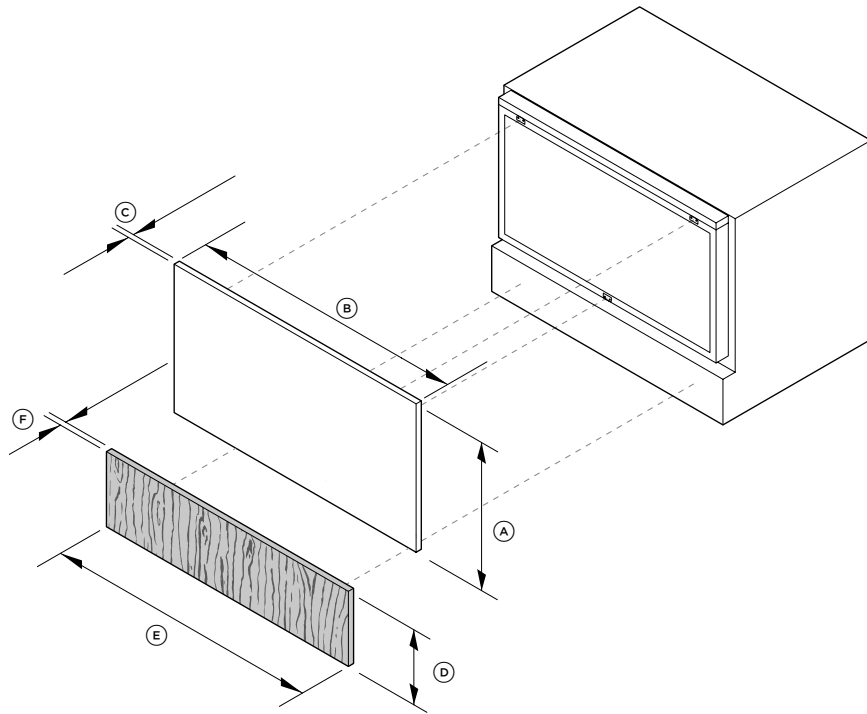
PLAN VIEW

PRODUCT DIMENSIONS	IN	MM
Ⓐ Overall height of product*	25 3/16	640
Ⓑ Overall width of product*	33 11/16	855
Ⓒ Depth of chassis**	21 15/16	557
Ⓓ Width of internal drawer front	31 11/16	805
Ⓔ Depth of internal drawer front	1 3/4	45
Ⓕ Depth of drawer (open) measured from front*	20 1/2	520

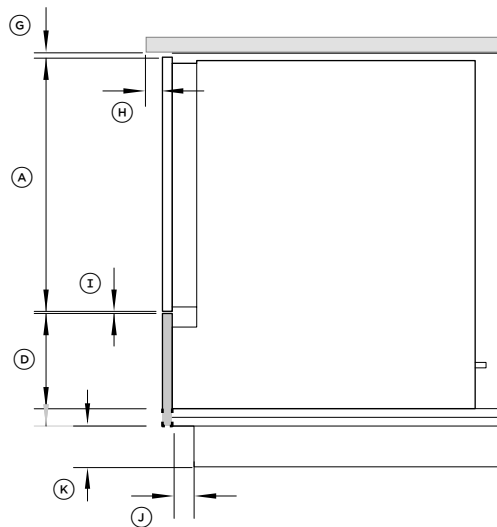
* Does not include Stainless steel or custom door panel, false panel and handle.

**Includes power terminal.

STAINLESS STEEL PANEL DIMENSIONS



ISO VIEW



PROFILE VIEW

DRAWER PANEL DIMENSIONS	CONTEMPORARY & PROFESSIONAL	
	IN	MM
(A) Height of custom drawer panel	18 3/4	476
(B) Width of custom drawer panel	35 3/4	908
(C) Depth of custom drawer panel	3/4	19
Weight of drawer panel (including handle)	15 lbs	7kg

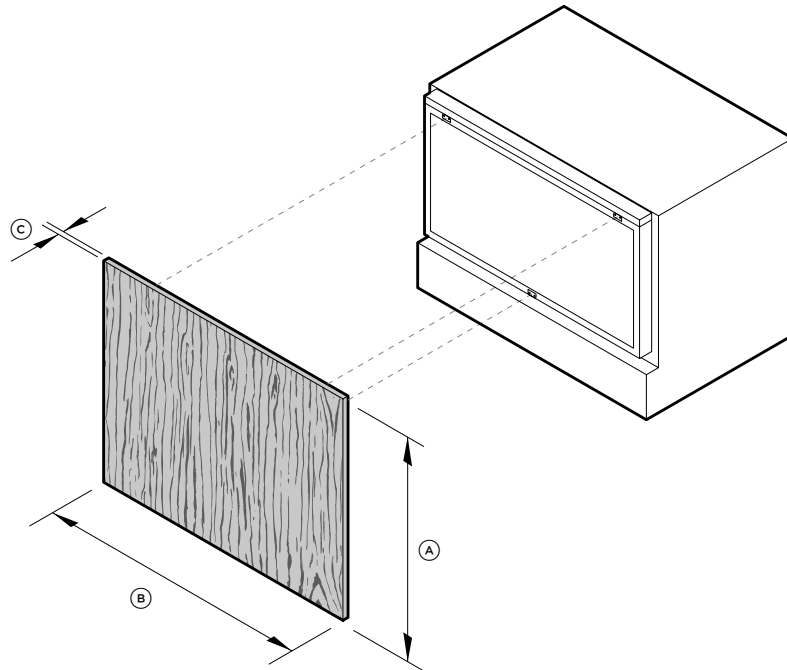
FALSE PANEL DIMENSIONS	IN	MM
(D) Height of custom false panel	5 15/16 - 7 1/16	150 - 180
(E) Width of custom false panel	min 35 1/4	min 896
(F) Depth of custom false panel	5/8 - 13/16	16 - 20

False panel to be manufactured and fitted by cabinetmaker. The false panel must be adequately sealed to withstand moisture (50°C @ 80% RH).

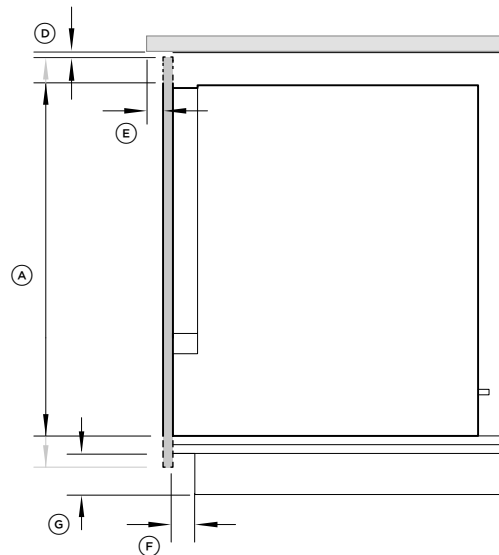
CLEARANCE DIMENSIONS	IN	MM
(G) Clearance between top of drawer panel and underside of benchtop	1/16	2
(H) Clearance between front end of benchtop to front surface of drawer panel*	max 3/16	max 20
(I) Gap between drawer panel and false panel	3/16	4
(J) Depth from back of drawer panel/false panel to base of cabinetry	min 1 9/16	min 40
(K) Height for ventilation*	min 2	min 50

* Minimum height to ensure adequate airflow and prevent condensation build up on the floor.

CUSTOM PANEL DIMENSIONS — SINGLE PANEL



ISO VIEW



PROFILE VIEW

DRAWER PANEL DIMENSIONS

	IN	MM
Ⓐ Height of custom drawer panel	min 24 13/16	min 630
Ⓑ Width of custom drawer panel	min 35 1/4	min 896
Ⓒ Depth of custom drawer panel	5/8 - 13/16	16 - 20
Maximum weight of drawer (including handle)	15 lbs	7 kg

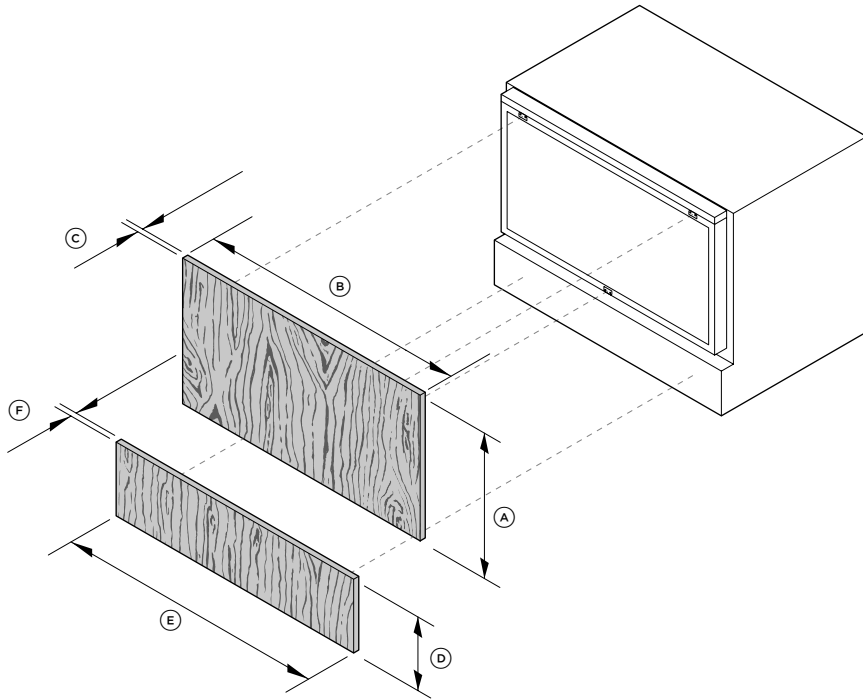
Custom drawer panel to be manufactured and fitted by cabinetmaker. These panels must be adequately sealed to withstand moisture (50°C @ 80% RH).

CLEARANCE DIMENSIONS

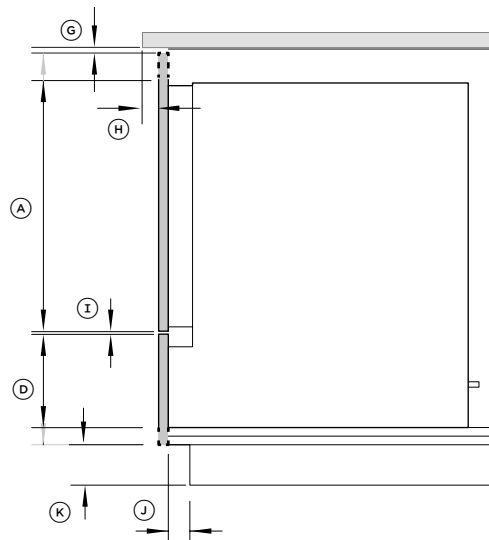
	IN	MM
Ⓓ Clearance between top of drawer panel and underside of benchtop	1/16	2
Ⓔ Clearance between front end of benchtop to front surface of drawer panel	max 3/16	max 20
Ⓕ Depth from back of drawer panel/false panel to base of cabinetry	min 1 9/16	min 40
Ⓖ Height for ventilation*	min 2	min 50

* Minimum height to ensure adequate airflow and prevent condensation build up on the floor.

CUSTOM PANEL DIMENSIONS – DUAL PANEL



ISO VIEW



PROFILE VIEW

DRAWER PANEL DIMENSIONS	IN	MM
Ⓐ Height of custom drawer panel	min 18 3/4	min 476
Ⓑ Width of custom drawer panel	min 35 1/4	min 896
Ⓒ Depth of custom drawer panel	5/8 - 13/16	16 - 20
Weight of drawer panel (including handle)	15 lbs	7kg

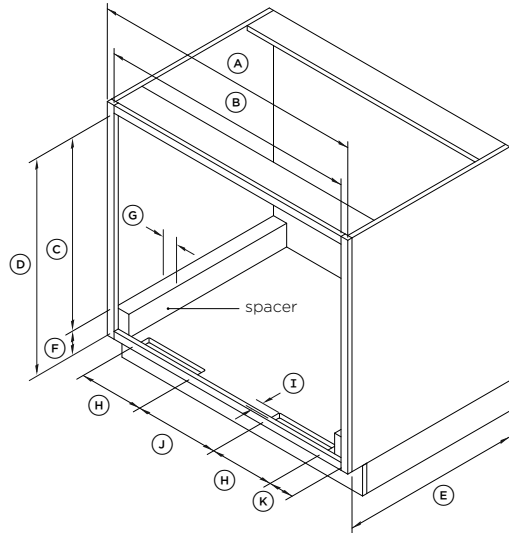
FALSE PANEL DIMENSIONS	IN	MM
Ⓓ Height of custom false panel	5 15/16 - 7 1/16	150 - 180
Ⓔ Width of custom false panel	min 35 1/4	min 896
Ⓕ Depth of custom false panel	5/8 - 13/16	16 - 20

Custom drawer panel and false panel to be manufactured and fitted by cabinetmaker. These panels must be adequately sealed to withstand moisture (50°C @ 80% RH).w

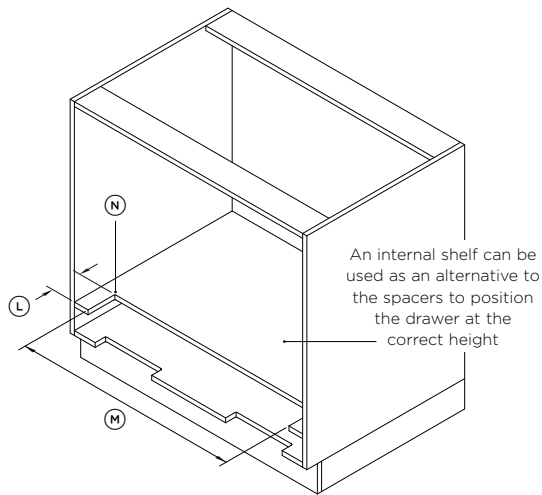
CLEARANCE DIMENSIONS	IN	MM
Ⓖ Clearance between top of drawer panel and underside of benchtop	1/16	2
Ⓗ Clearance between front end of benchtop to front surface of drawer panel	max 3/16	max 20
Ⓘ Gap between drawer panel and false panel	3/16	4
Ⓙ Depth from back of drawer panel/false panel to base of cabinetry	min 1 9/16	min 40
Ⓚ Height for ventilation*	min 2	min 50

* Minimum height to ensure adequate airflow and prevent condensation build up on the floor.

CABINETY DIMENSIONS — FRAMED



ISO VIEW



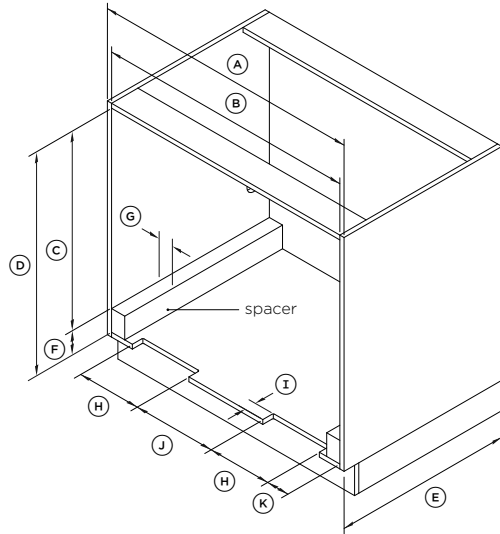
ISO VIEW

DIMENSIONS	IN	MM
Ⓐ Overall width of cabinetry frame	36	914
Ⓑ Inside width of cabinetry frame	min 34	min 864
Ⓒ Inside height from top inner face of cabinetry frame to top of spacer*	min 25 3/8	min 644
Ⓓ Inside height from top inner face to bottom inner face of cabinetry frame	26 3/16 - 30 1/16	665 - 764
Ⓔ Inside depth from front to rear wall of cabinetry	min 22 1/16	min 560
Ⓕ Height of spacer	min 7/8	min 21
Ⓖ Width of spacer	min 2	min 50
Ⓗ Width of vent duct	min 8 7/16	min 215
Ⓘ Depth of vent duct	min 1 9/16	min 40
⓵ Clearance between vent ducts	min 11	min 280
Ⓚ Clearance between vent duct and spacer	min 3	min 76
Ⓛ Depth of cutout at front end of internal shelf**	min 4	min 102
Ⓜ Width of internal shelf cutout**	min 30 1/16	min 764
Ⓝ Corner radius of internal shelf cutout	Ø 5/8	Ø 16

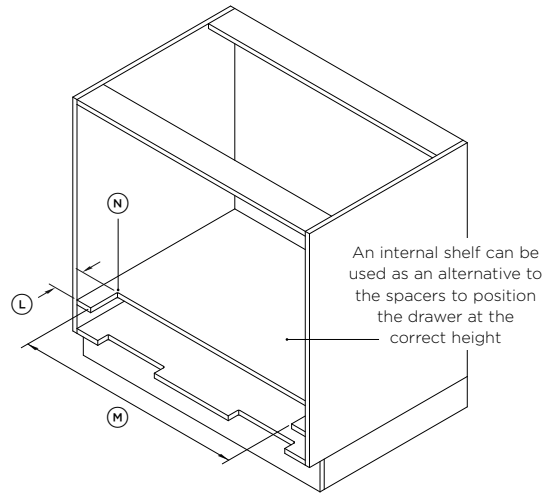
* Minimum internal height of cabinetry can be 644mm if vent duct is not used.

** If using internal shelf.

CABINETY DIMENSIONS – FRAMELESS



ISO VIEW



ISO VIEW

DIMENSIONS	IN	MM
Ⓐ Overall width of cabinetry frame	35 7/16	900
Ⓑ Inside width of cabinetry frame	min 34	min 864
Ⓒ Inside height from top inner face of cabinetry frame to top of spacer*	min 25 3/8	min 644
Ⓓ Inside height from top inner face to bottom inner face of cabinetry frame	26 3/16 - 30 1/16	665 - 764
Ⓔ Inside depth from front to rear wall of cabinetry	min 22 1/16	min 560
Ⓕ Height of spacer	min 7/8	min 21
Ⓖ Width of spacer	min 2	min 50
Ⓗ Width of vent duct	min 8 7/16	min 215
Ⓘ Depth of vent duct	min 1 9/16	min 40
Ⓝ Clearance between vent ducts	min 11	min 280
Ⓚ Clearance between vent duct and spacer	min 3	min 76
Ⓛ Depth of cutout at front end of internal shelf**	min 4	min 102
Ⓜ Width of internal shelf cutout**	min 30 1/16	min 764
Ⓝ Corner radius of internal shelf cutout	Ø 5/8	Ø 16

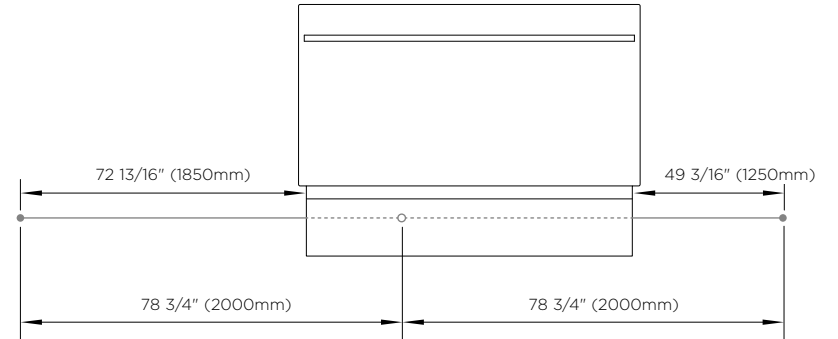
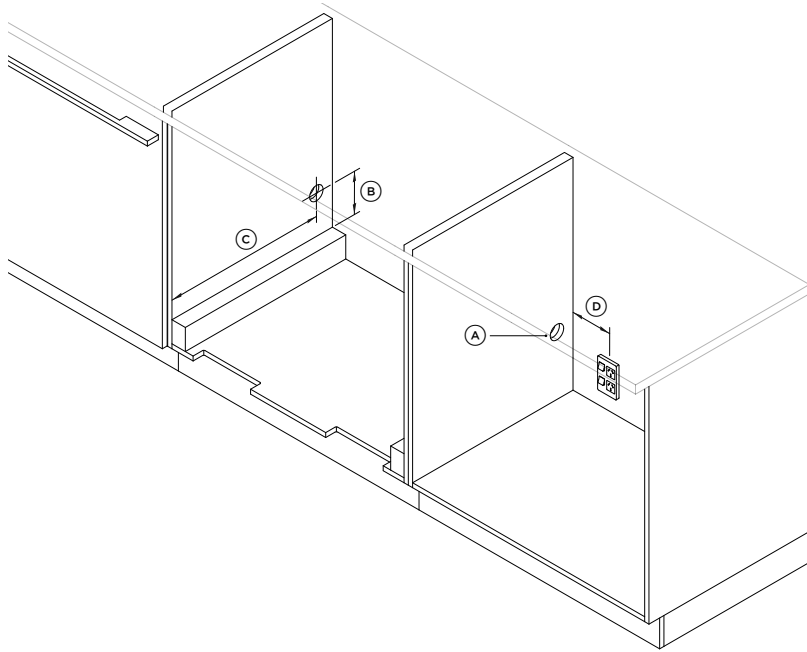
* Minimum internal height of cabinetry can be 644mm if vent duct is not used.

** If using internal shelf.

NOTE: The product can also be placed directly on the bottom shelf without the spacer or internal shelf depending on the height of your cabinetry.

ELECTRICAL CONNECTION

Services can be located on either side of the CoolDrawer™. Disconnect power to surrounding appliances before preparing the cavity.

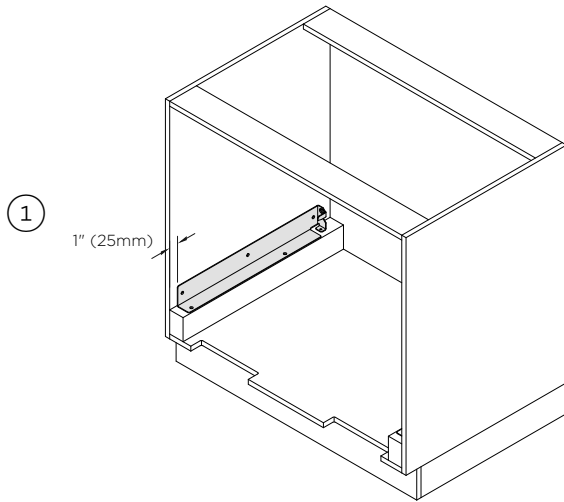


SUPPLY DIMENSIONS	IN	MM
Ⓐ Diameter of supply area cutout	Ø 2	Ø 50
Ⓑ Distance from centre of supply area cutout to top of spacer	min 5 1/8	min 130
Ⓒ Distance from front end of cabinetry frame to centre of supply area cutout	min 21 1/16	min 535
Ⓓ Distance of supply area cutout to power outlet	min 33 7/16	max 850

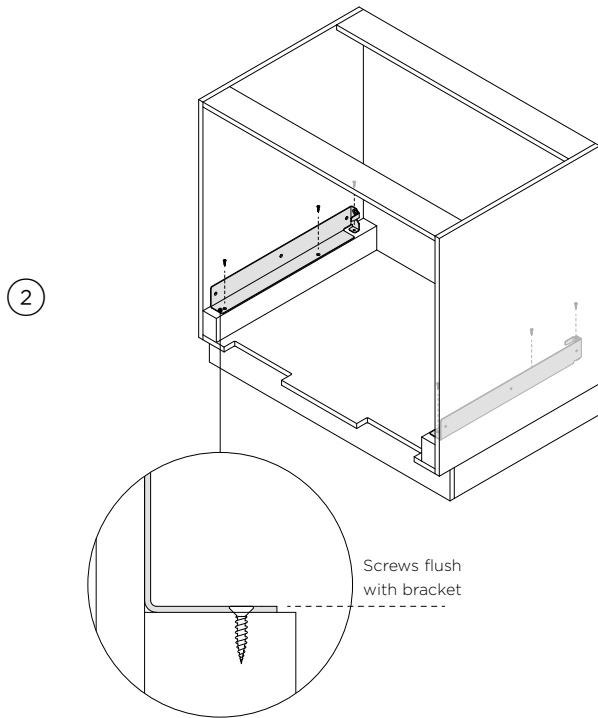
ELECTRICAL SPECIFICATIONS	
Supply	115 VAC, 60 Hz
Service	10 amp circuit
Receptacle	3-prong grounding-type
Total length of power cord	78 3/4" (2000mm)
Power cord length exiting from left side of product	72 13/16" (1850mm)
Power cord length exiting from right side of product	49 3/16" (1250mm)

CABINETY PREPARATION

INSTALL BRACKETS

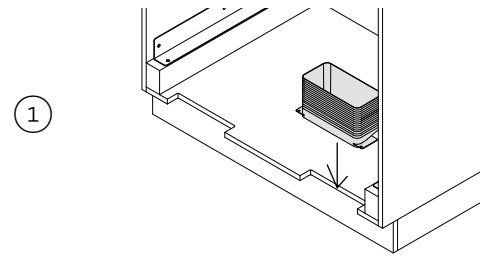


Locate the brackets to the top of each spacer.
Ensure there is 1" (25mm) clearance between the front end of cabinetry frame and front of bracket.

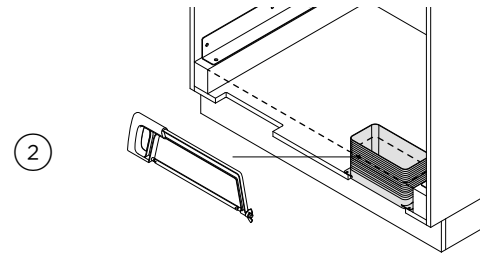


Secure each bracket to the spacer with countersunk screws (3x).

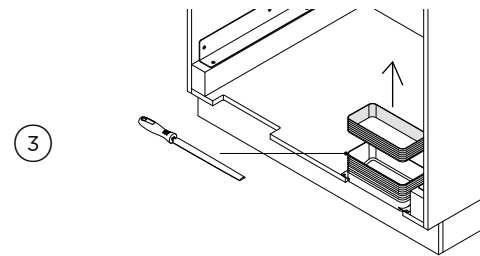
ATTACH VENT DUCTS



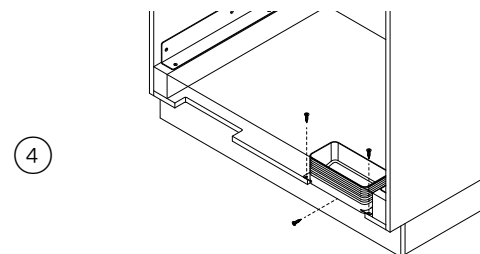
Locate the vent ducts to the slots in the cabinetry frame.



Cut each vent duct to be flush with the top of the spacer.



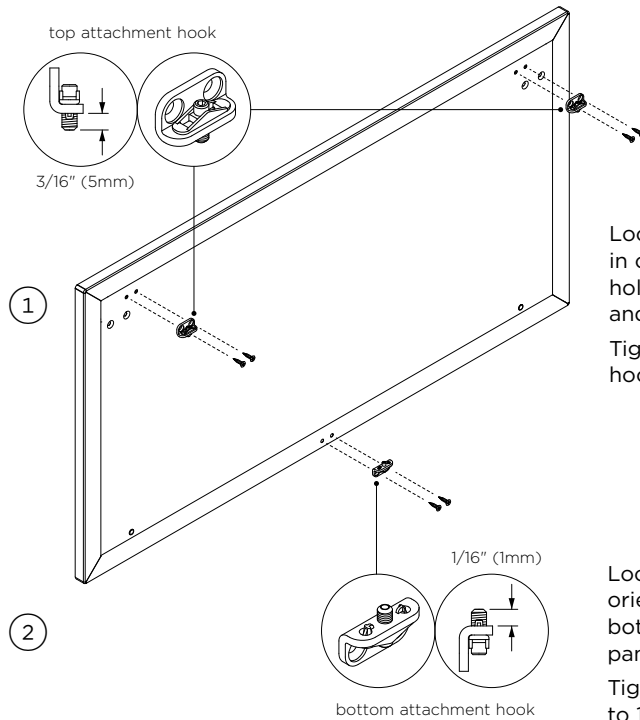
Smooth the sharp edges with a file or similar tool.



Secure the vent ducts by fixing with screws.

PANEL PREPARATION

STAINLESS STEEL PANEL



Locate the top attachment hooks (2x) in correct orientation to the screw holes at the back of drawer panel*, and secure with screws.

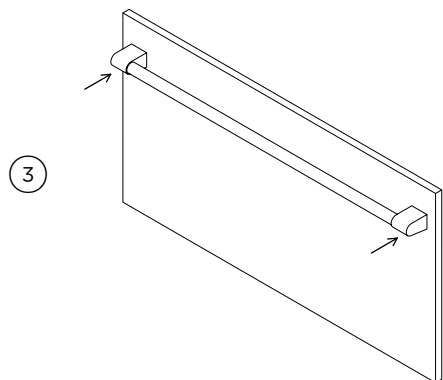
Tighten the locking screw of each hook to 3/16" (5mm) depth.

Locate one attachment hook in correct orientation to the screw hole at bottom middle of the back of drawer panel, and secure with screw.

Tighten the locking screw of the hook to 1/16" (1mm) depth.

Attach the handle* to the drawer panel.

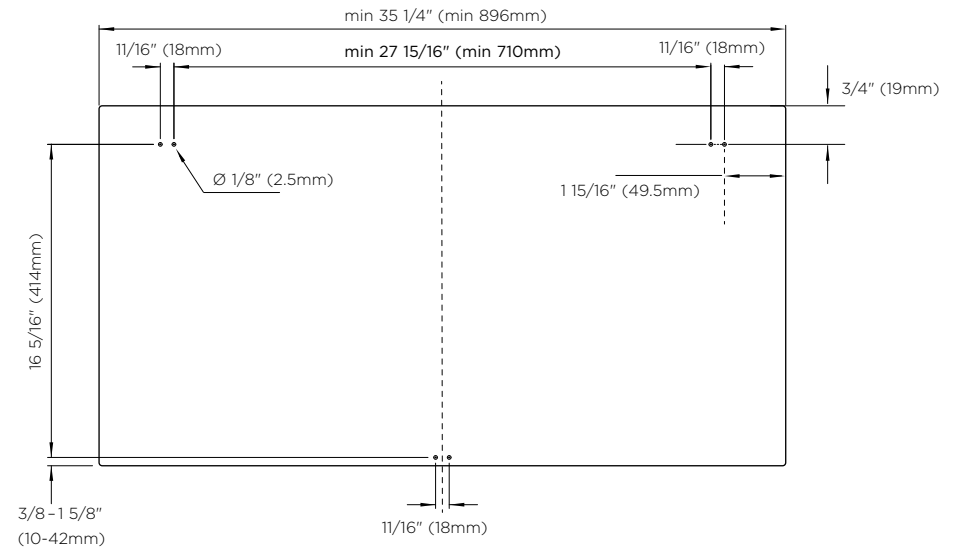
Refer to the installation guide included in your purchased handle kit to attach the handle.



*Illustrations showing Professional drawer panel and handle.

CUSTOM PANEL

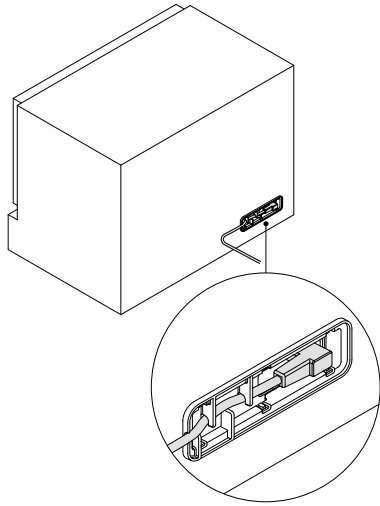
Refer to the dimensions below for the preparation of the Custom door panel when attaching the attachment hooks. Drill the screw holes using a 6mm drill bit, and counterbore from the rear.



Refer to stainless steel panel instructions for securing the attachment hooks to the drawer panel. Refer to the installation guide included in your purchased handle kit to attach the handle.

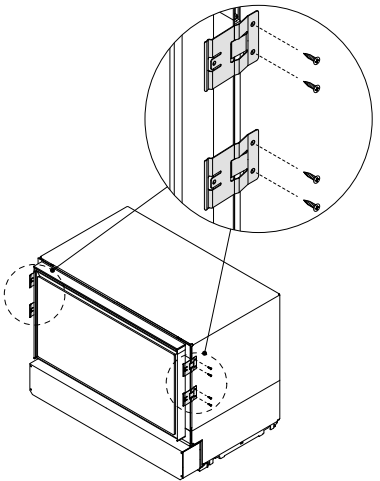
ATTACH POWER CORD & TRIM BRACKETS

1



Connect the power plug to the back of the Cooldrawer™ and clip the cord in place.

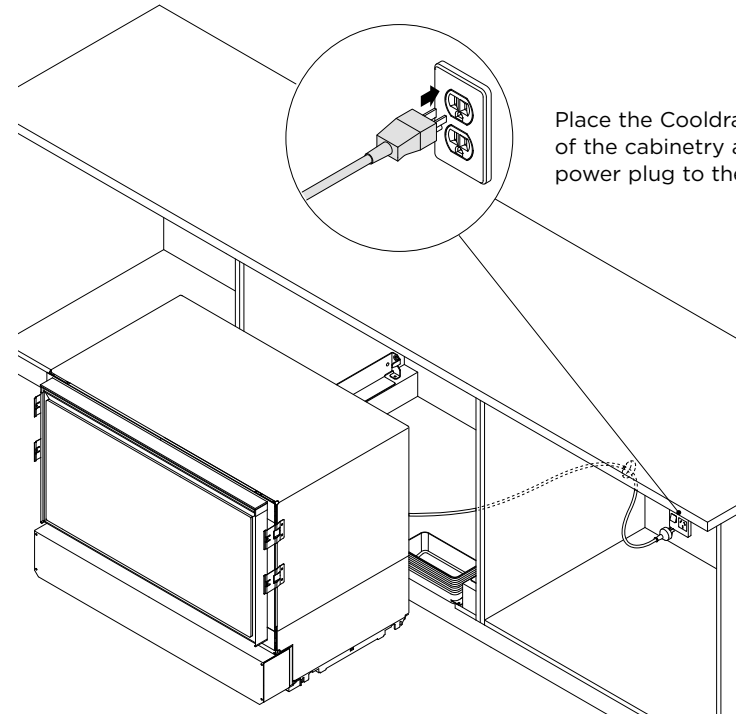
2



Secure the trim brackets with screws to the side of the Cooldrawer™ in the correct orientation.

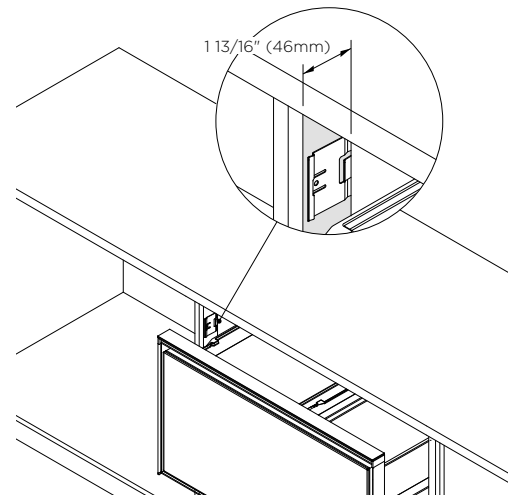
POSITION PRODUCT INTO CABINETY

1



Place the Cooldrawer™ in front of the cabinetry and connect the power plug to the power outlet.

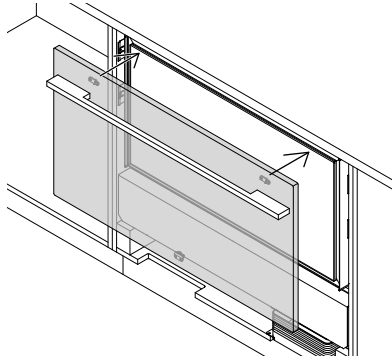
2



Slide the Cooldrawer™ into the cavity.
Do not screw in the trim brackets at this stage.

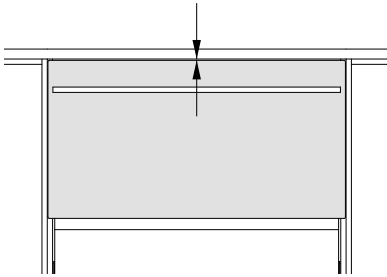
ATTACH DRAWER PANEL

1



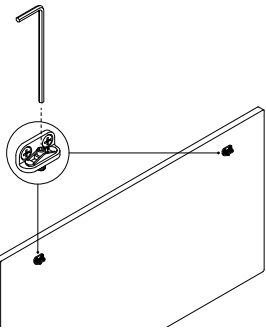
Hook the drawer panel onto the drawer front channel.

2



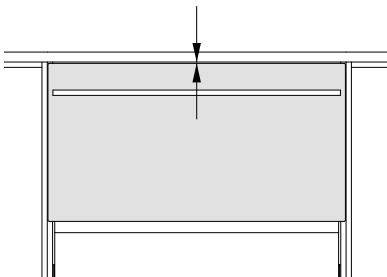
Close the drawer and check vertical clearances.

3



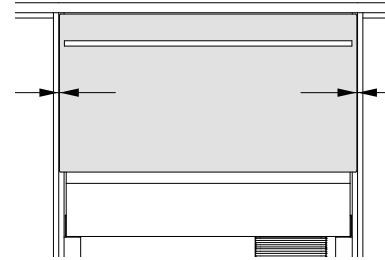
Remove the panel and adjust the top attachment hooks as necessary.

4



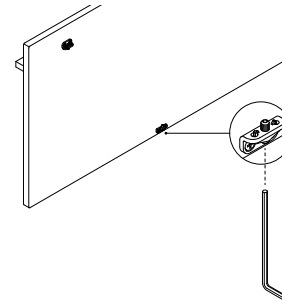
Replace the panel on the drawer and confirm vertical clearances.

5



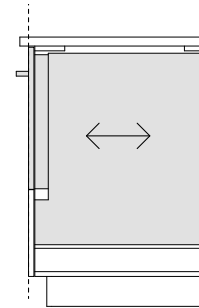
Slide the panel to achieve even horizontal clearances.

6



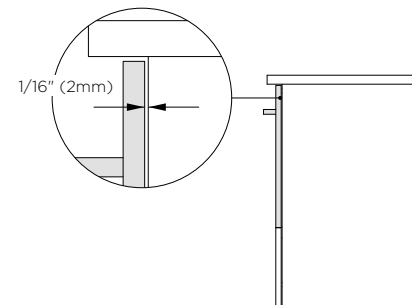
Open the drawer and clamp the panel onto the drawer by tightening the bottom attachment hook.

7



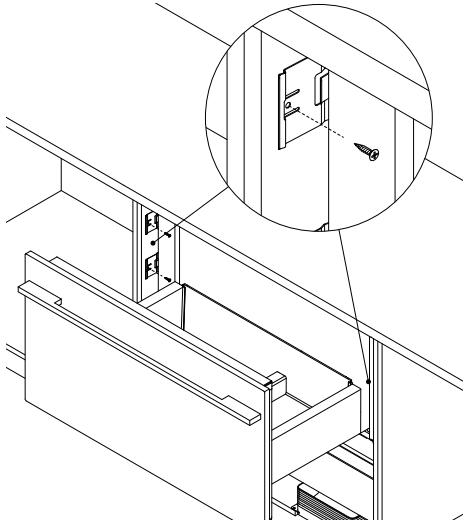
Close the drawer and ensure it is flush with the adjacent cabinetry. If not, the product may have to be pulled back or forward.

8



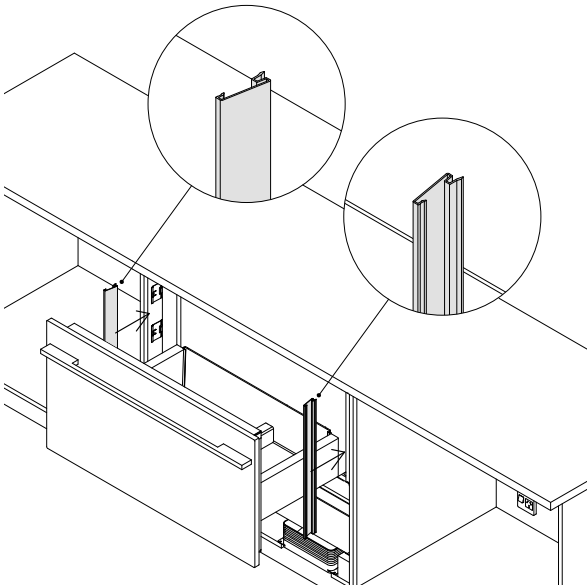
Ensure there is clearance between the panel and cabinetry when the drawer is fully closed.

SECURE PRODUCT TO CABINETY



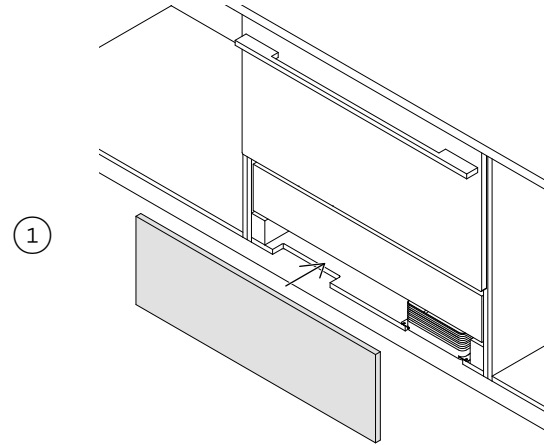
Open the drawer and secure the product to the cabinetry by securing the four trim brackets with screws.

ATTACH SIDE TRIMS TO CABINETY

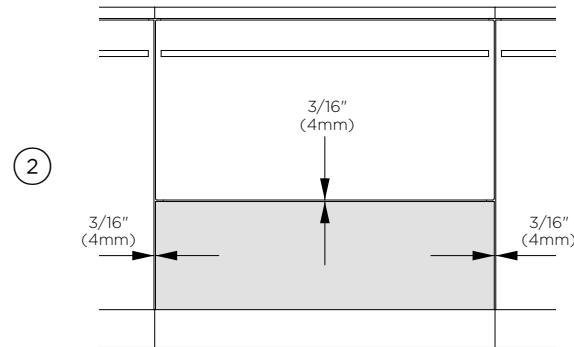


Install the side trims to the trim brackets in the correct orientation.

ATTACH FALSE PANEL



Attach the false panel securely as recommended by the cabinet maker. The false panel needs to be removable for servicing.



Check the top and side clearances. Ensure to check basic operation and complete the final checklist.

INSTALLER CHECKLIST

Read all installation guidance in this document to see if the unit has been correctly installed.
Ensure that installation has been completed correctly before use.

TO BE COMPLETED BY THE INSTALLER

Ensure that:

- | | |
|--|---|
| <input type="checkbox"/> Has all packaging been removed from the appliance? | <input type="checkbox"/> Is there clearance between drawer and cabinetry frame? |
| <input type="checkbox"/> Is the appliance securely fastened to the cabinetry? | <input type="checkbox"/> Has the power cord been plugged into a properly earthed 3-prong outlet, which has been installed in accordance with all applicable electrical codes? |
| <input type="checkbox"/> Does the drawer slide freely and close properly? | <input type="checkbox"/> Is the control panel lit? |
| <input type="checkbox"/> Has the outlet duct been installed correctly? | <input type="checkbox"/> Can you hear the compressor motor running? |
| <input type="checkbox"/> Is the appliance level? | <input type="checkbox"/> When a hand is placed near the toe kick, can airflow be felt under front right-hand side of appliance? |
| <input type="checkbox"/> Are the panels securely attached? | <input type="checkbox"/> Have you demonstrated the basic operation to the customer? |
| <input type="checkbox"/> Have the panels been properly aligned for correct operation and appearance?
Are all clearances even? | |

Complete and keep for safe reference:

Model _____
Serial No. _____
Purchase Date _____
Purchaser _____
Dealer Address _____
Installer's Name _____
Installer's Signature _____
Installation Company _____
Installation Date _____

FISHERPAYKEL.COM

© Fisher & Paykel Appliances 2021. All rights reserved.

The models shown in this guide may not be available in all markets
and are subject to change at any time.

The product specifications in this guide apply to the specific products and
models described at the date of issue. Under our policy of continuous product
improvement, these specifications may change at any time.

For current details about model and specification availability in your country,
please go to our website or contact your local Fisher & Paykel dealer.

866529A 02.21