

FISHER & PAYKEL

CERAMIC COOKTOP

CE244DTB1, CE304DTB1 & CE365DTB1 Models

INSTALLATION GUIDE

US CA

592141A 05.20

⚠ WARNING!



Electric Shock Hazard

Failure to follow this advice may result in electric shock or death.

- Disconnect the appliance from the mains electricity supply before carrying out any work or maintenance.
- Connection to a good earth wiring system is essential and mandatory.
- Alterations to the domestic wiring system must only be made by a qualified electrician.

⚠ WARNING!



Cut Hazard

Failure to use caution could result in injury.

- Take care: some edges are sharp.

READ AND SAVE THIS GUIDE

General Use

- Read these instructions carefully before installing this product.
- Save these instructions for the local electrical inspector's use.
- Installation must comply with your local building and local electricity regulations.
- Electrical installation (including electrical grounding) must be done in accordance with the National Electrical Code, ANSI/NFPA70 - latest edition and/or local codes. In Canada: Electrical installation must be in accordance with the current CSA C22.1 Canadian Electrical Codes Part 1 and/or local codes. Particular attention shall be given to the relevant requirements regarding ventilation.
- This appliance is to be installed and serviced only by fisher & Paykel trained and supported service technician or qualified person.
- The manufacturer accepts no responsibility for the incorrect installation of appliances. Incorrect installation may result in personal injury, damage to property and may invalidate any warranty or liability claims.
- Do not modify this appliance.
- Do not use or store flammable materials on or near this appliance.
- Packing elements (eg plastic bags, polystyrene foam, staples, packing straps etc) and tools should not be left around during and after installation, especially if they are within easy reach of children, as these may cause serious injuries.
- Make sure you recycle the packaging material.
- Before disposing of any appliance, make sure that it can no longer be used and that all hazardous parts are removed or made harmless, so that children playing with the old appliance cannot harm themselves.
- Only genuine replacement parts may be used for servicing the appliance. These are available from your nearest Fisher & Paykel Service Center.
- This cooktop requires adequate supply of cool air to fully function. The base of the cooktop must have direct unrestricted ventilation to the room where the cooktop is installed. There must be a 5mm air gap at the front of the cooktop as shown on diagram above in 'Venting Clearances'. Follow the requirements shown.
- This cooktop must be connected to the mains power supply only by a suitably qualified person.
- To connect the cooktop to the mains power supply, do not use adapters, reducers, or branching devices, as they can cause overheating and fire.
- The power supply cable must not touch any hot parts and must be positioned so that its temperature will not exceed 165°F (75°C) at any point.

INSTALLATION CONSIDERATIONS

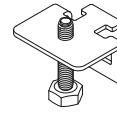
Before you install the appliance, please ensure the following:

- The countertop is made of a heat resistant material.
- The power supply cable is not accessible through cupboard doors or drawers.
- There is adequate flow of cool air from the cabinetry to the base of the cooktop. You may ventilate from adjacent cupboards, but ensure that the available air supply will not be restricted.
- The ventilation area must be at least two 2" (50mm) diameter holes or of an equivalent area.
- You use heat-resistant and easy-to-clean finishes (such as ceramic tiles) for the wall surfaces surrounding the cooktop.
- The cooktop will not be installed directly above a dishwasher, fridge, freezer, washing machine or clothes dryer, as the humidity may damage the cooktop electronics.
- If the cooktop is installed above an oven, the oven has a built-in cooling fan.
- The installation will comply with all clearance requirements and applicable standards and regulations.
- You consult local building authorities and by-laws if in doubt regarding installation.
- To eliminate the risk of burns or fire by reaching over heated surface units, cabinet storage space located above the surface units should be avoided. If cabinet storage is to be provided, the risk can be reduced by installing a rangehood that projects horizontally a minimum of 5" (127mm) beyond the bottom of the overhead cabinets.

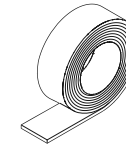
When you install the appliance

- Seal exposed bare edges of the cutout with an oil-based paint or moisture-proof polyurethane to prevent possible moisture creeping between the cooktop trim and the countertop.
- Take extreme care not to chip, crack, or break the top glass surfaces during installation. A heavy metal tool or part accidentally dropped on the glass could damage it.
- If, after following the instructions given, correct performance cannot be achieved, please contact your nearest Fisher & Paykel Service Centre, Customer Care, or contact us through our local website listed at the end of this document.

PARTS SUPPLIED

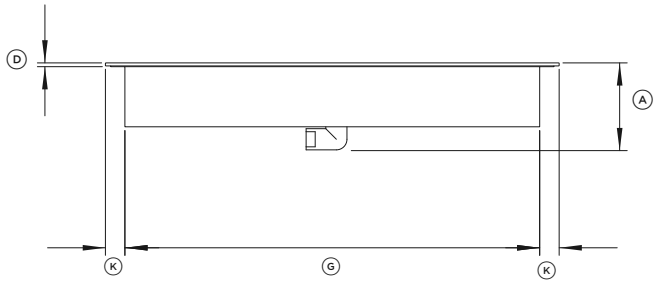


Clamping brackets (4)
and screws (4)



Foam tape (1)

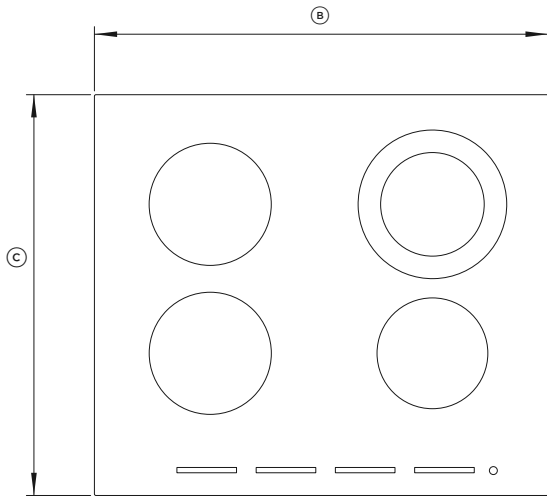
PRODUCT DIMENSIONS – 24" MODEL



FRONT



PROFILE



PLAN

PRODUCT DIMENSIONS

	CE244DTB1	
	INCHES	MM
(A) Overall height of the cooktop	4 1/2	115
(B) Overall width of cooktop	23 5/8	600
(C) Overall depth of cooktop	20 7/8	530
(D) Height of cooktop surface	3/16	5
(E) Height of chassis (incl. height of conduit junction)	4 5/16	110
(F) Height of the chassis (below glass excl. height of conduit junction)	3 1/8	79.5
(G) Width of chassis	21 5/8	549
(H) Depth of chassis	19 5/16	490
(I) Depth of front overhang of cooktop surface	13/16	20
(J) Depth of rear overhang of cooktop surface	13/16	20
(K) Depth of side overhang of cooktop surface	1	26

Actual product dimensions may vary by ± 2 mm.

PRODUCT WEIGHT

Weight of the product (excluding packaging)

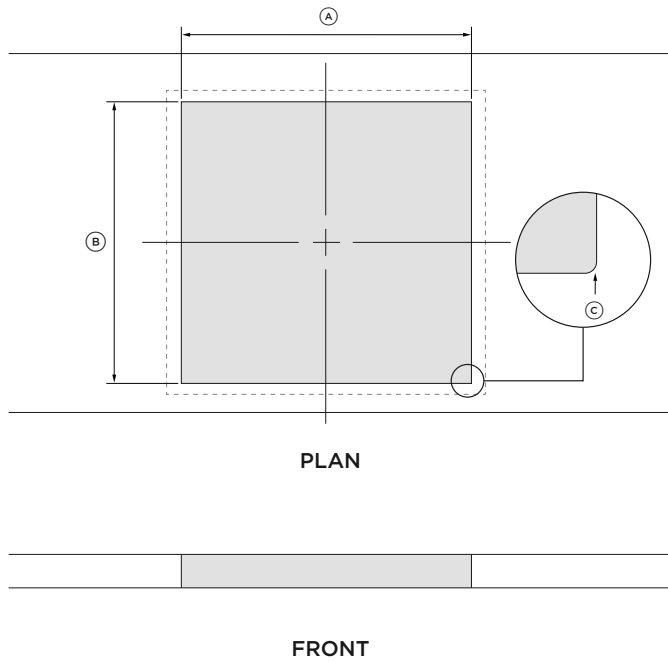
CE244DTB1

	LB	KG
Weight of the product (excluding packaging)	30.9	14

Refer to 'Electrical Dimensions' for details conduit dimension.

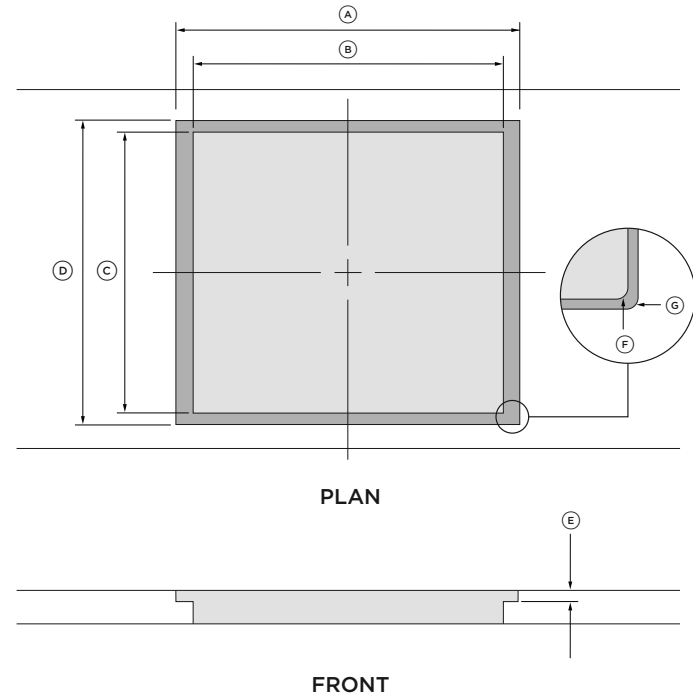
CUTOUT DIMENSIONS – 24" MODEL

PROUD INSTALLATION



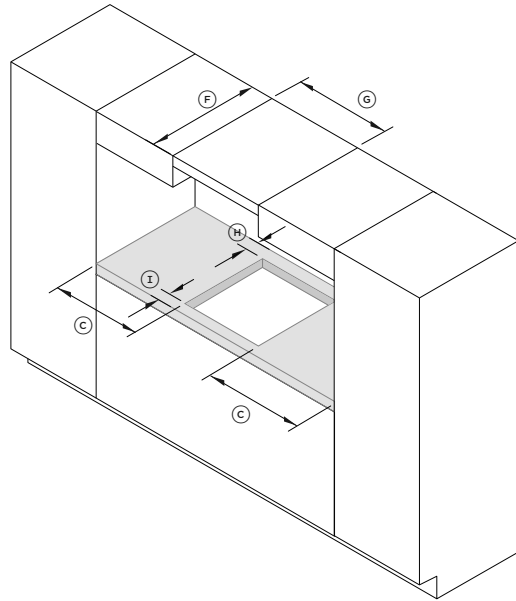
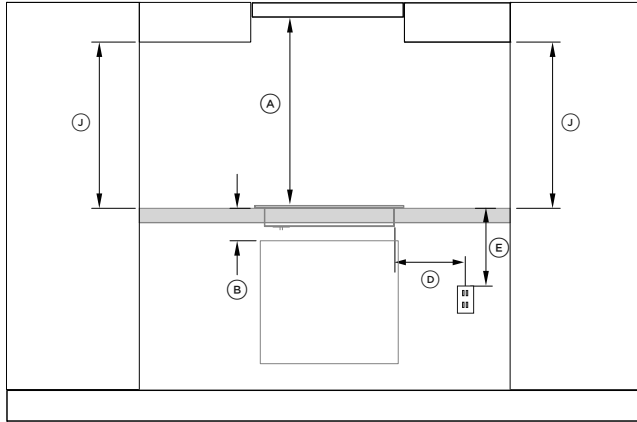
CUTOUT DIMENSIONS	CE244DTB1	
	INCHES	MM
Ⓐ Width of cutout	21 7/8	555
Ⓑ Depth of cutout	19 1/2	495
Ⓒ Corner radius of cutout max.	5/16	8

FLUSH INSTALLATION



FLUSH MOUNTING CUTOUT DIMENSIONS	CE244DTB1	
	INCHES	MM
Ⓐ Overall width of routed recess	23 13/16	605
Ⓑ Width of cutout	21 7/8	555
Ⓒ Depth of cutout	19 1/2	495
Ⓓ Overall depth of routed recess	21 1/16	535
Ⓔ Height of routed recess	3/16	5
Ⓕ Corner radius of routed recess	3/16	5
Ⓖ Corner radius of cutout max.	5/16	8

CLEARANCE DIMENSIONS — 24" MODEL



Combustible surface

Any materials of a building structure or decorative structure made of wood, compressed paper, plant fibres, vinyl/plastic or other materials that are capable of transferring heat or being ignited and burned. Such material shall be considered combustible even though flame-proofed, fire-retardant treated or surface-painted, or plastered.

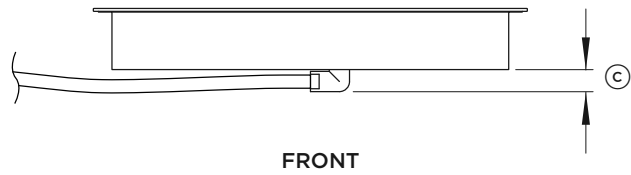
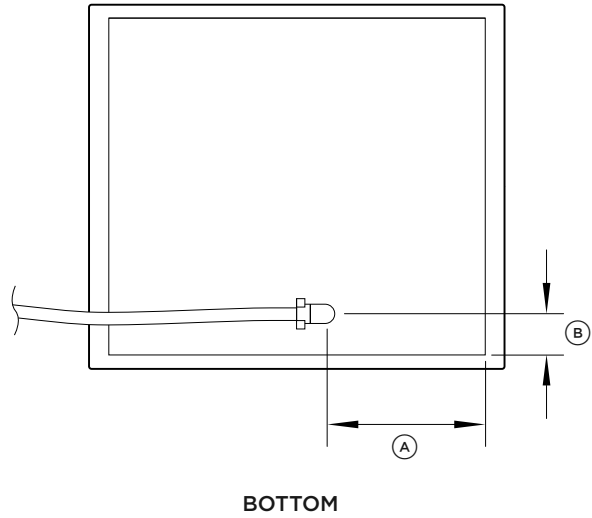
CLEARANCE DIMENSIONS	CE244DTB1	
	INCHES	MM
(A) Minimum clearance from ceramic surface to overhead cabinet centered above cooktop:		
• Minimum clearance from ceramic surface to rangehood†	25 9/16	650
• Unprotected**	30	762
• Protected**	24	610
(B) Minimum clearance below top of countertop to top of any appliance, companion product or obstruction below cooktop	4 1/2	115
(C) Minimum clearance from side edges of cutout to nearest combustible surface	2 3/16	55
(D) Maximum clearance from right edge of cutout to center of junction box	30	762
(E) Minimum clearance below top of countertop to junction box	9 1/16	230
(F) Maximum depth of overhead cabinetry	13	330
(G) Minimum clearance between overhead cabinets either side of the cooktop	24 3/16	615
(H) Minimum clearance from rear edge of cutout to nearest combustible surface	2 3/16	55
(I) Minimum clearance from front edge of cutout to front edge of counter	1 3/8	35
(J) Minimum clearance from countertop to overhead cabinet not directly above the cooktop	17 11/16	450

*To eliminate the risk of burns or fire by reaching over heated surface units, cabinet storage space located above the surface units should be avoided. If cabinet storage is to be provided, the risk can be reduced by installing a rangehood that projects horizontally a minimum of 5" (127mm) beyond the bottom of the cabinets.

** (A)=30" (762mm) minimum clearance between the top of the cooking surface and the bottom of an unprotected wood or metal cabinet; or (A)=24" (610mm) minimum when bottom of wood or metal cabinet is protected by not less than 1/4"-thick flame-retardant millboard covered with not less than No. 28 MSG sheet steel, 0.015"-thick stainless steel, 0.024"-thick aluminum, or 0.020"-thick copper.

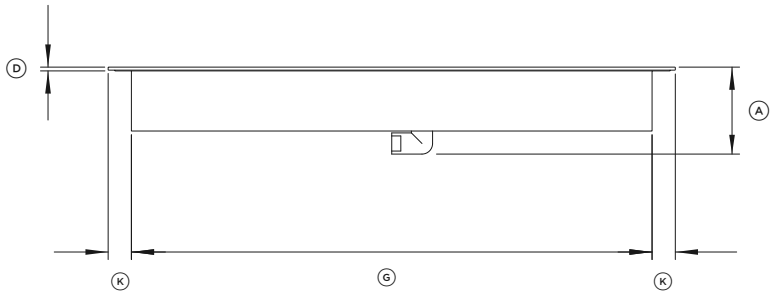
†Refer to your range hood installation guide for further details on clearances.

ELECTRICAL DIMENSIONS – 24" MODEL

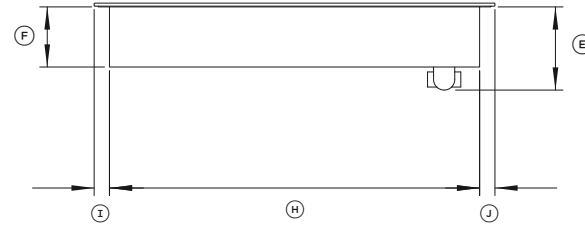


ELECTRICAL DIMENSIONS	CE244DTB1	
	INCHES	MM
Ⓐ Distance to center of conduit junction from right side of chassis	9 3/16	234
Ⓑ Distance to center of conduit junction from rear of chassis	1 7/8	47
Ⓒ Max height of conduit junction from bottom of chassis	1 1/4	31

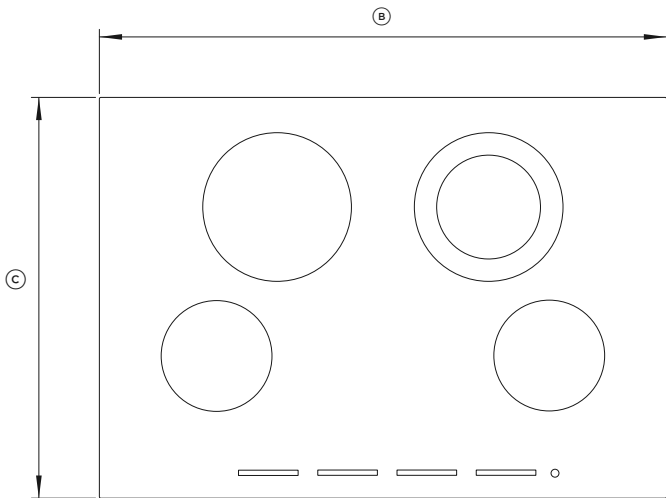
PRODUCT DIMENSIONS – 30" MODEL



FRONT



PROFILE



PLAN

Refer to 'Electrical Dimensions' for details conduit dimension.

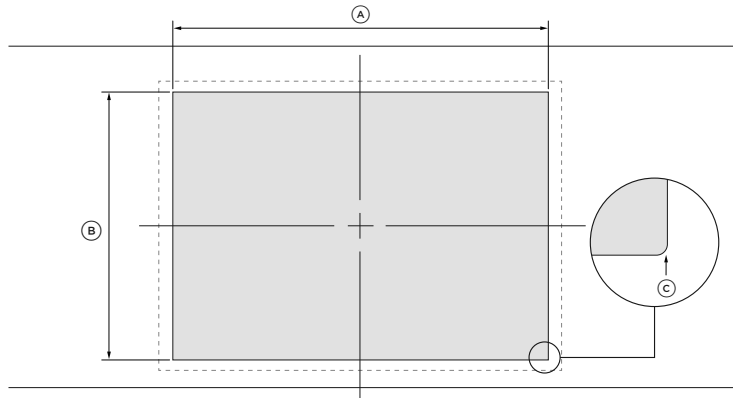
PRODUCT DIMENSIONS	CE304DTB1	
	INCHES	MM
(A) Overall height of the cooktop	4 1/2	115
(B) Overall width of cooktop	29 1/2	750
(C) Overall depth of cooktop	20 7/8	530
(D) Height of the cooktop surface	3/16	5
(E) Height of chassis (incl. height of conduit junction)	4 5/16	110
(F) Height of the chassis (below glass excl. height of conduit junction)	3 1/8	79.5
(G) Width of chassis	27 1/8	689
(H) Depth of chassis	19 5/16	490
(I) Depth of front overhang of cooktop surface	13/16	20
(J) Depth of rear overhang of cooktop surface	13/16	20
(K) Depth of side overhang of cooktop surface	1 1/4	31

Actual product dimensions may vary by ± 2 mm.

PRODUCT WEIGHT	CD304DTB1	
	LB	KG
Weight of the product (excluding packaging)	35	16

CUTOUT DIMENSIONS — 30" MODEL

PROUD INSTALLATION

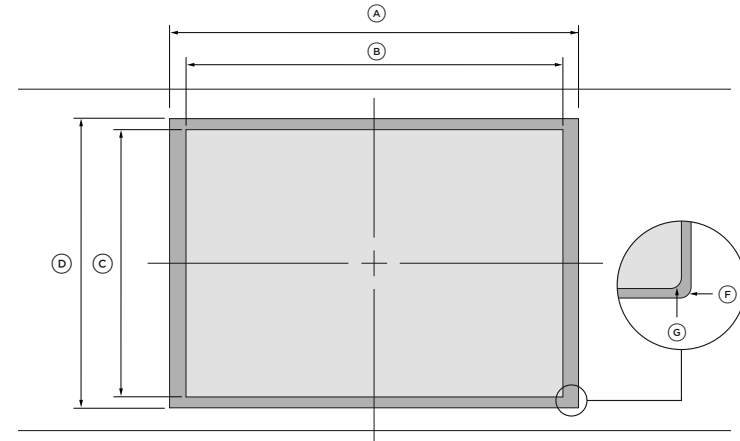


PLAN

FRONT

CUTOUT DIMENSIONS	CE304DTB1	
	INCHES	MM
Ⓐ Width of cutout	27 9/16	700
Ⓑ Depth of cutout	19 1/2	495
Ⓒ Corner radius of cutout max.	3/8	10

FLUSH INSTALLATION

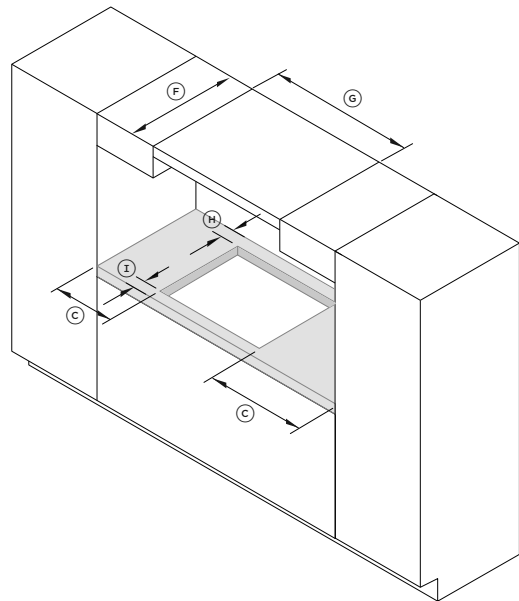
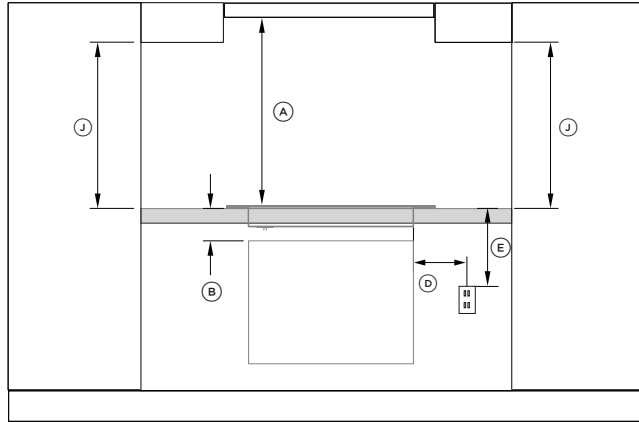


PLAN

FRONT

FLUSH MOUNTING CUTOUT DIMENSIONS	CE304DTB1	
	INCHES	MM
Ⓐ Overall width of routed recess	29 3/4	755
Ⓑ Width of cutout	27 9/16	700
Ⓒ Depth of cutout	19 1/2	495
Ⓓ Overall depth of routed recess	21 1/16	535
Ⓔ Height of routed recess	3/16	5
Ⓕ Corner radius of routed recess	3/16	5
Ⓖ Corner radius of cutout max.	3/8	10

CLEARANCE DIMENSIONS — 30" MODEL



Combustible surface

Any materials of a building structure or decorative structure made of wood, compressed paper, plant fibres, vinyl/plastic or other materials that are capable of transferring heat or being ignited and burned. Such material shall be considered combustible even though flame-proofed, fire-retardant treated or surface-painted, or plastered.

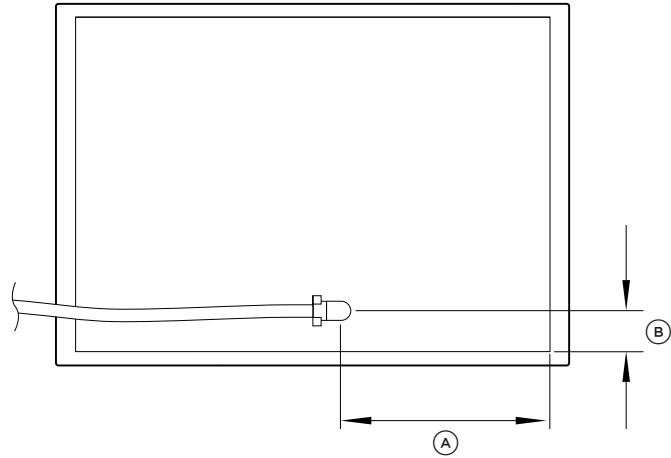
CLEARANCE DIMENSIONS	CE304DTB1	
	INCHES	MM
(A) Minimum clearance from ceramic surface to overhead cabinet centered above cooktop: <ul style="list-style-type: none"> • Minimum clearance from ceramic surface to rangehood[†] • Unprotected** • Protected** 	25 9/16 30 24	650 762 610
(B) Minimum clearance below top of countertop to top of any appliance, companion product or obstruction below cooktop	4 1/2	115
(C) Minimum clearance from side edges of cutout to nearest combustable surface	2 3/16	55
(D) Maximum clearance from right edge of cutout to center of junction box	30	762
(E) Minimum clearance below top of countertop to junction box	9 1/16	230
(F) Maximum depth of overhead cabinetry	13	330
(G) Minimum clearance between overhead cabinets either side of the cooktop	30 1/8	765
(H) Minimum clearance from rear edge of cutout to nearest combustable surface	2 3/16	55
(I) Minimum clearance from front edge of cutout to front edge of counter	1 3/8	35
(J) Minimum clearance from countertop to overhead cabinet not directly above the cooktop	17 11/16	450

*To eliminate the risk of burns or fire by reaching over heated surface units, cabinet storage space located above the surface units should be avoided. If cabinet storage is to be provided, the risk can be reduced by installing a rangehood that projects horizontally a minimum of 5" (127mm) beyond the bottom of the cabinets.

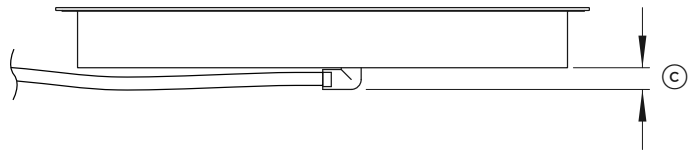
** (A)=30" (762mm) minimum clearance between the top of the cooking surface and the bottom of an unprotected wood or metal cabinet; or (A)=24" (610mm) minimum when bottom of wood or metal cabinet is protected by not less than 1/4"-thick flame-retardant millboard covered with not less than No. 28 MSG sheet steel, 0.015"-thick stainless steel, 0.024"-thick aluminum, or 0.020"-thick copper.

†Refer to your range hood installation guide for further details on clearances.

ELECTRICAL DIMENSIONS — 30" MODEL



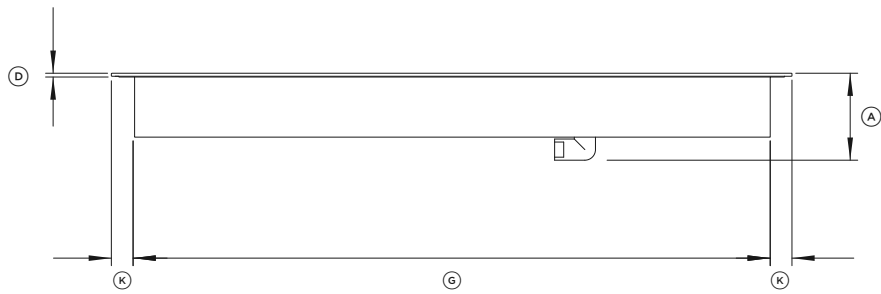
BOTTOM



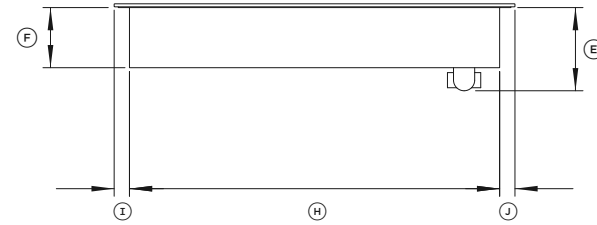
FRONT

ELECTRICAL DIMENSIONS	CE304DTB1	
	INCHES	MM
Ⓐ Distance to center of conduit junction from right side of chassis	12	304
Ⓑ Distance to center of conduit junction from rear of chassis	1 7/8	47
Ⓒ Max height of conduit junction from bottom of chassis	1 1/4	31

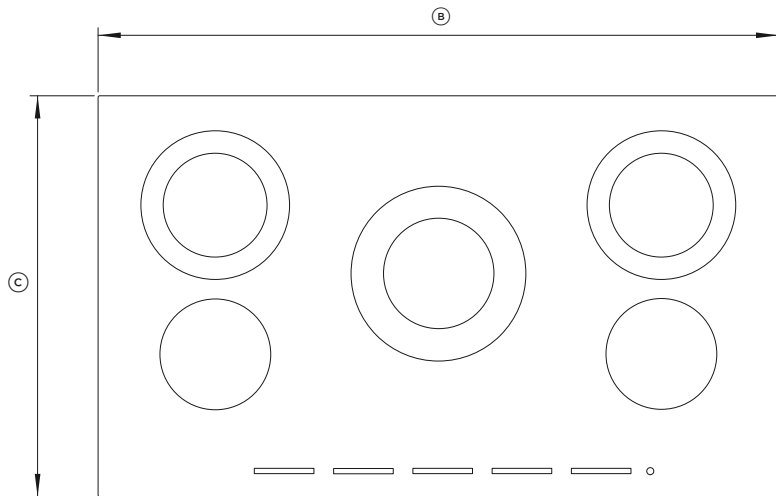
PRODUCT DIMENSIONS – 36" MODELS



FRONT



PROFILE



PLAN

Refer to 'Electrical Dimensions' for details conduit dimension.

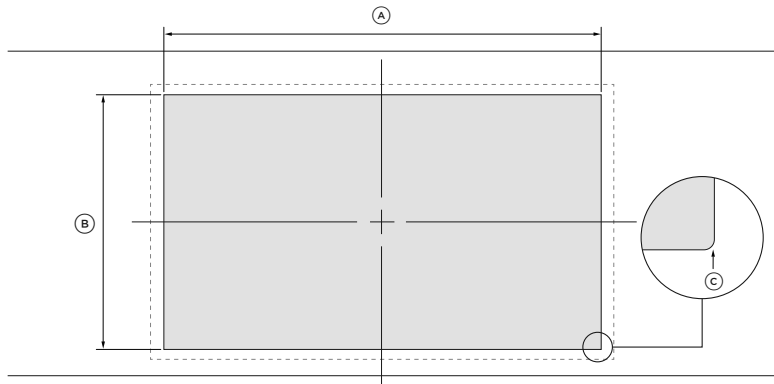
PRODUCT DIMENSIONS	CE365DTB1	
	INCHES	MM
(A) Overall height of the cooktop	4 1/2	115
(B) Overall width of cooktop	35 7/6	900
(C) Overall depth of cooktop	20 7/8	530
(D) Height of cooktop surface	3/16	5
(E) Height of chassis (incl. height of conduit junction)	4 5/16	110
(F) Height of the chassis (below glass excl. height of conduit junction)	3 1/8	79.5
(G) Width of chassis	33 3/16	843
(H) Depth of chassis	19 5/16	490
(I) Depth of front overhang of cooktop surface	13/16	20
(J) Depth of rear overhang of cooktop surface	13/16	20
(K) Depth of side overhang of cooktop surface	1 1/8	29

Actual product dimensions may vary by ± 2mm.

PRODUCT WEIGHT	CE365DTB1	
	LB	KG
Weight of the product (excluding packaging)	42	19

CUTOUT DIMENSIONS — 36" MODEL

PROUD INSTALLATION

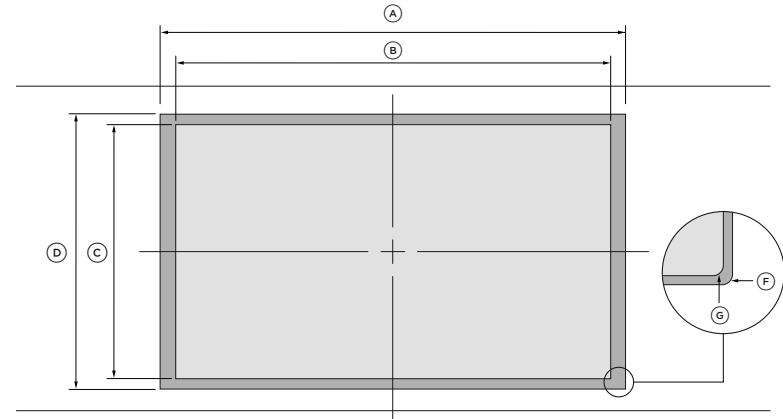


PLAN

FRONT

CUTOUT DIMENSIONS	CE365DTB1	
	INCHES	MM
Ⓐ Width of cutout	33 7/16	850
Ⓑ Depth of cutout	19 1/2	495
Ⓒ Corner radius of cutout max.	3/8	10

FLUSH INSTALLATION

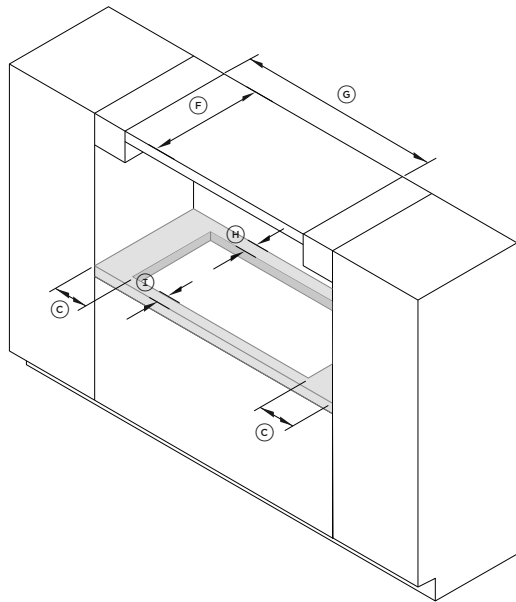
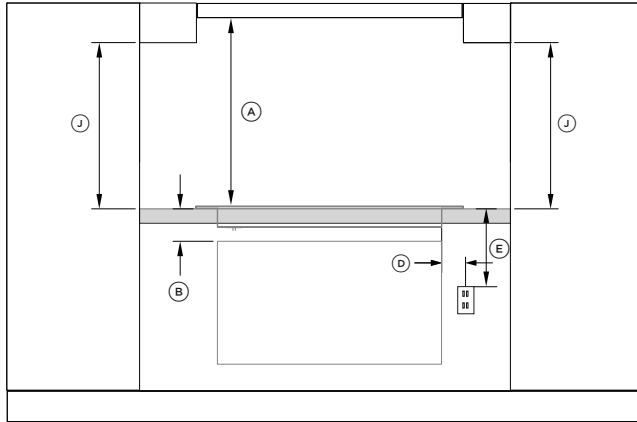


PLAN

FRONT

FLUSH MOUNTING CUTOUT DIMENSIONS	CE365DTB1	
	INCHES	MM
Ⓐ Overall width of routed recess	35 5/8	905
Ⓑ Width of cutout	33 7/16	850
Ⓒ Depth of cutout	19 1/2	495
Ⓓ Overall depth of routed recess	21 1/16	535
Ⓔ Height of routed recess	3/16	5
Ⓕ Corner radius of routed recess	3/16	5
Ⓖ Corner radius of cutout max.	3/8	10

CLEARANCE DIMENSIONS — 36" MODEL



Combustible surface

Any materials of a building structure or decorative structure made of wood, compressed paper, plant fibres, vinyl/plastic or other materials that are capable of transferring heat or being ignited and burned. Such material shall be considered combustable even though flame-proofed, fire-retardant treated or surface-painted, or plastered.

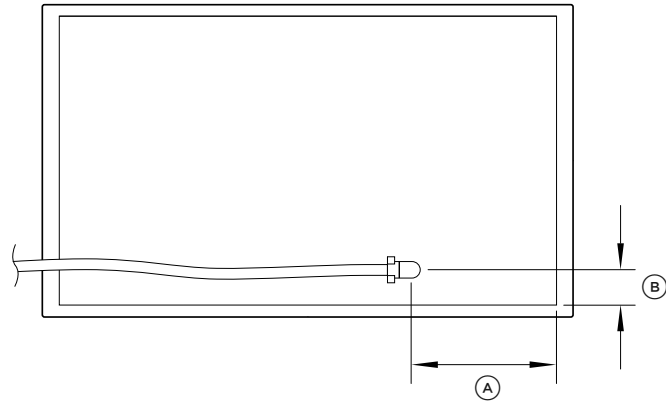
CLEARANCE DIMENSIONS	CE365DTB1	
	INCHES	MM
(A) Minimum clearance from ceramic surface to overhead cabinet centered above cooktop:		
• Minimum clearance from ceramic surface to rangehood [†]	25 9/16	650
• Unprotected**	30	762
• Protected**	24	610
(B) Minimum clearance below top of countertop to top of any appliance, companion product or obstruction below cooktop	4 1/2	115
(C) Minimum clearance from side edges of cutout to nearest combustable surface	2 3/16	55
(D) Maximum clearance from right edge of cutout to center of junction box	30	762
(E) Minimum clearance below top of countertop to junction box	9 1/16	230
(F) Maximum depth of overhead cabinetry	13	330
(G) Minimum clearance between overhead cabinets either side of the cooktop	36	915
(H) Minimum clearance from rear edge of cutout to nearest combustable surface	2 3/16	55
(I) Minimum clearance from front edge of cutout to front edge of counter	1 3/8	35
(J) Minimum clearance from countertop to overhead cabinet not directly above the cooktop	17 11/16	450

*To eliminate the risk of burns or fire by reaching over heated surface units, cabinet storage space located above the surface units should be avoided. If cabinet storage is to be provided, the risk can be reduced by installing a rangehood that projects horizontally a minimum of 5" (127mm) beyond the bottom of the cabinets.

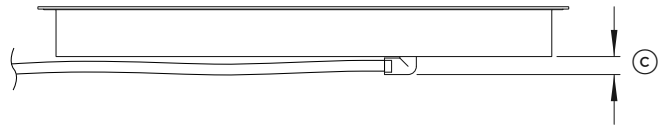
**A=30" (762mm) minimum clearance between the top of the cooking surface and the bottom of an unprotected wood or metal cabinet; or A=24" (610mm) minimum when bottom of wood or metal cabinet is protected by not less than 1/4"-thick flame-retardant millboard covered with not less than No. 28 MSG sheet steel, 0.015"-thick stainless steel, 0.024"-thick aluminum, or 0.020"-thick copper.

†Refer to your range hood installation guide for further details on clearances.

ELECTRICAL DIMENSIONS — 36" MODEL



BOTTOM

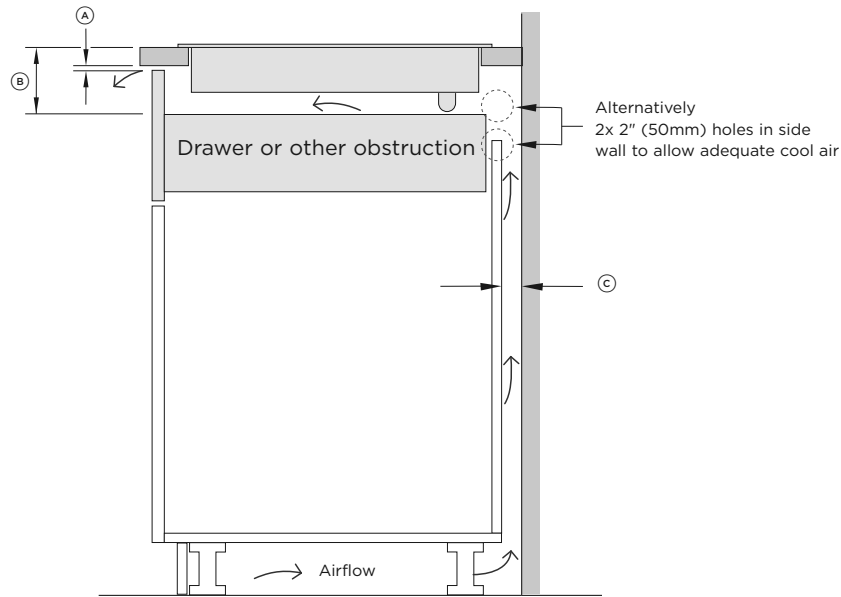


FRONT

ELECTRICAL DIMENSIONS	CE365DTB1	
	INCHES	MM
Ⓐ Distance to center of conduit junction from right side of chassis	9 5/8	245
Ⓑ Distance to center of conduit junction from rear of chassis	1 7/8	47
Ⓒ Max height of conduit junction from bottom of chassis	1 1/4	31

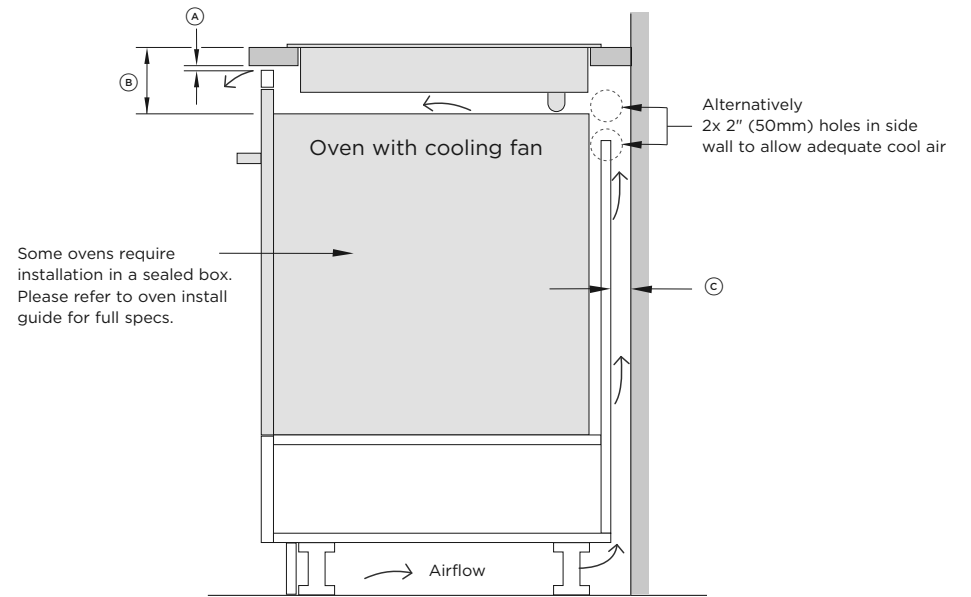
VENTING CLEARANCES

DRAWER OR OTHER OBSTRUCTION



CLEARANCE DIMENSIONS	INCHES	MM
Ⓐ Minimum ventilation gap at the front of the cooktop	3 /16	5
Ⓑ Minimum clearance from top of benchtop to drawer or other obstruction	4 1/2	115
Ⓒ Minimum ventilation gap at the rear of the cooktop	2	50

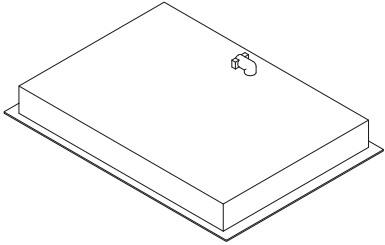
OVEN WITH COOLING FAN



CLEARANCE DIMENSIONS	INCHES	MM
Ⓐ Minimum ventilation gap at the front of the cooktop	3 /16	5
Ⓑ Minimum clearance from top of the benchtop to top of oven	4 1/2	115
Ⓒ Minimum ventilation gap at the rear of the cooktop	2	50

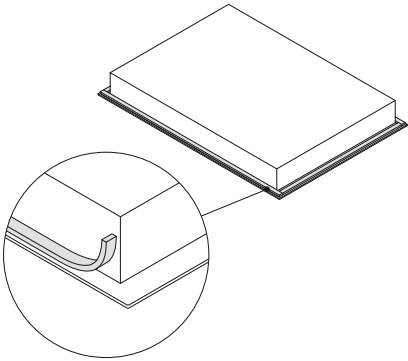
PROUD INSTALLATION

1



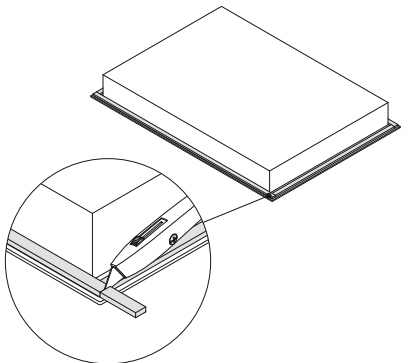
Turn the cooktop upside down on a protective cover.

2



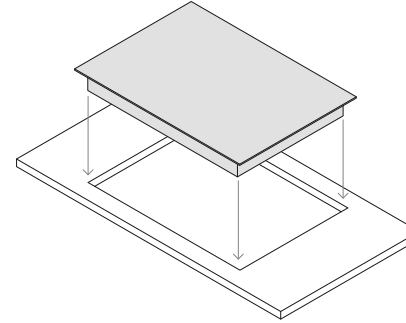
Apply adhesive foam seal around the ceramic overhang, 3/16" (5mm) in from the edge of the glass. Ensure the adhesive side is facing down to form a continuous seal around the cooktop.

3



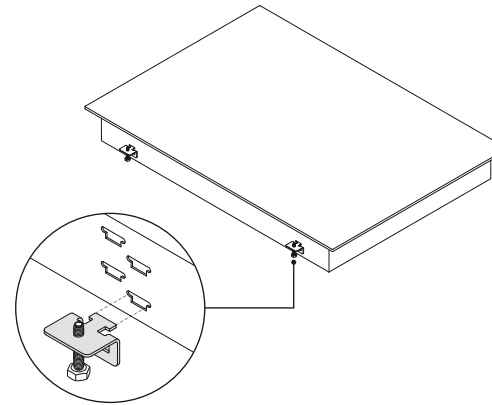
Trim any excess seal using a sharp knife taking care not to damage the cooktop or surface.

4



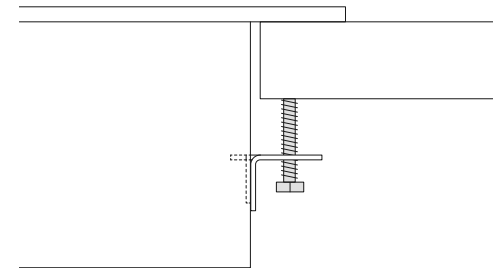
Gently lower the cooktop into the cutout. Press gently on the edges of the glass to ensure the sealing material adheres to the counter top.

5



Locate the side brackets* to the appropriate slots on the cooktop chassis. The correct slot height is determined by the thickness of your countertop.

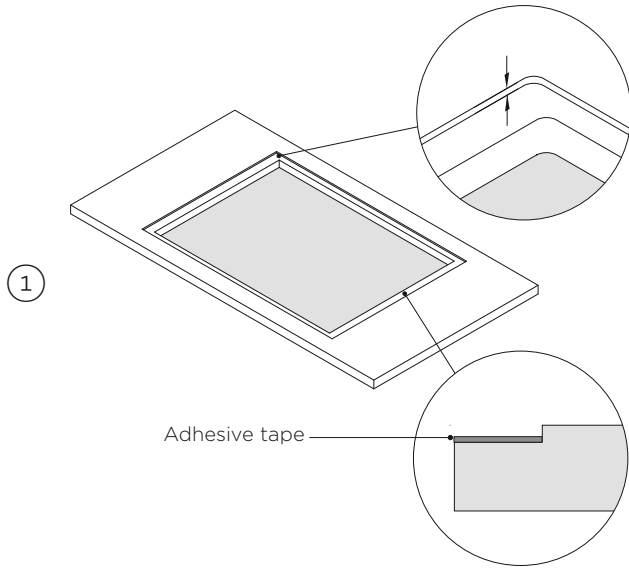
6



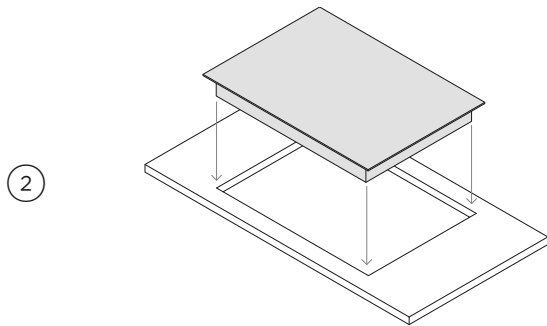
Tighten all screws to secure the cooktop to the countertop. Ensure cooktop is level.

*The number of brackets varies based on your cooktop model

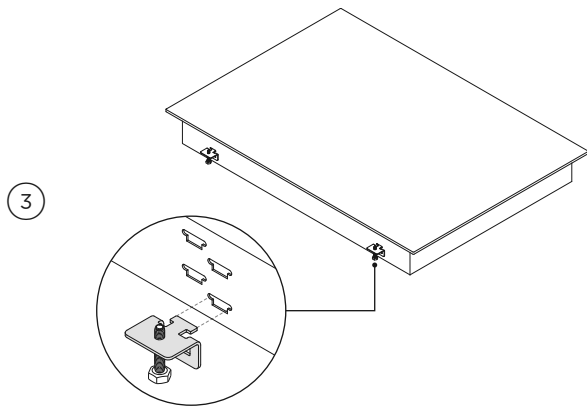
FLUSH INSTALLATION



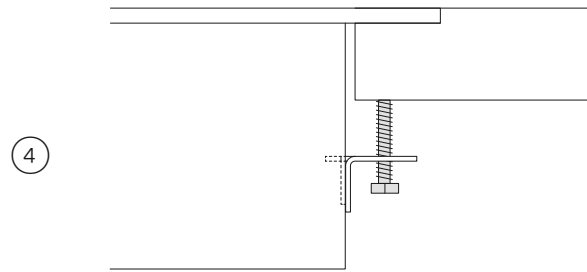
Router the countertop to the specified depth of 3/16" (5mm). Attach an adhesive tape along the edges of the routed recess.



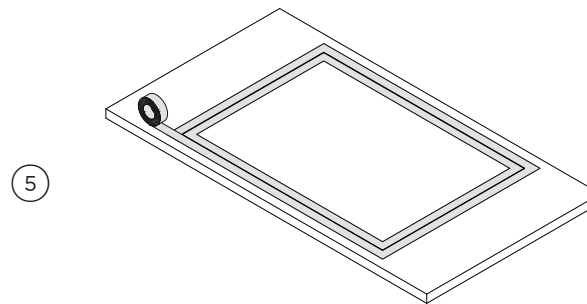
Gently lower the cooktop into the cutout ensuring you have access below the countertop to fit and secure the brackets.



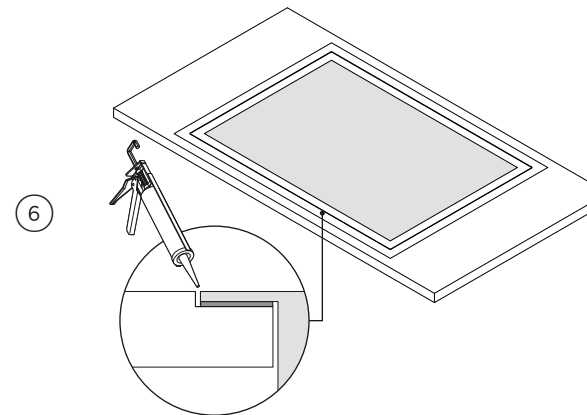
Locate the side brackets* to the appropriate slots on the cooktop chassis. The correct slot height is determined by the thickness of your countertop.



Tighten all screws to secure the cooktop to the countertop. Ensure cooktop is level.



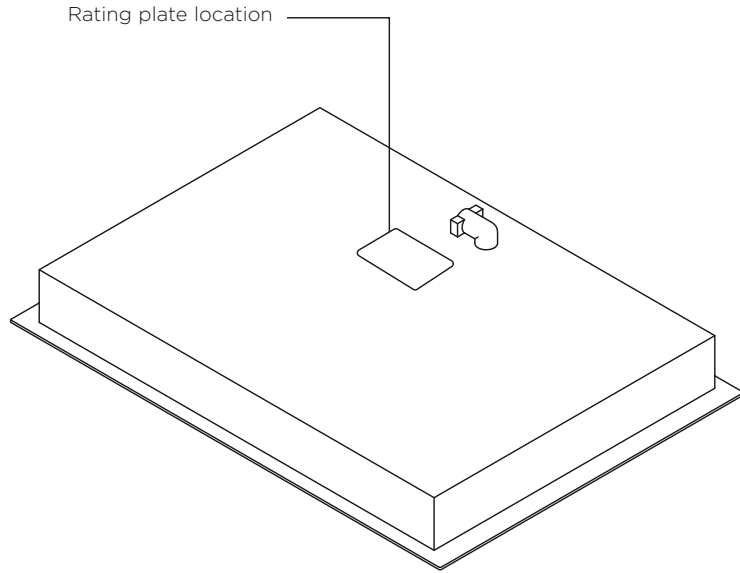
Mask off the area to be siliconed ensuring both the cooktop and countertop are protected.



Apply silicone in the gap between countertop and cooktop. Wipe off any excess silicone.

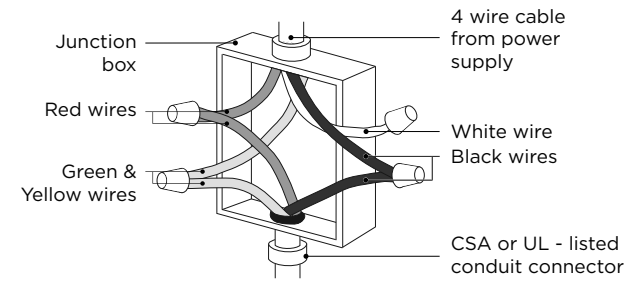
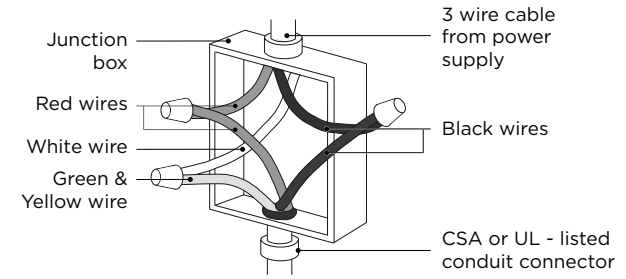
*The number of brackets varies based on your cooktop model.

ELECTRICAL CONNECTION



Before connecting the cooktop to the mains power supply check that:

- The domestic wiring system is suitable for the power drawn by the cooktop.
- The voltage corresponds to the value given in the rating plate.
- The power supply cable sections can withstand the load specified on the rating plate.



MODELS	MAX. CURRENT DRAW	MAX. LOAD	VOLTAGE
CE244DTB1	22A	4650W	208V
	25A	6200W	240V
CE304DTB1	23A	4800W	208V
	26A	6400W	240V
CE365DTB1	34A	7060W	208V
	39A	9400W	240V

INSTALLER CHECKLIST

Read all installation guidance in this document to see if the unit has been correctly installed.
Ensure that installation has been completed correctly before use.

TO BE COMPLETED BY THE INSTALLER

Ensure that:

- Is the cooktop earthed?
- Check that there is an adequate and constant flow of cool air from the cabinetry to the base of the cooktop.
- Check that the power supply cable is not accessible via cupboard doors or drawers and that it is NOT touching the cooktop.
- Is the cooktop clamped down securely?
- Check that all the cooking zones function correctly. Turn on all of them to a high setting and leave them on for at least one minute.
- Are all elements glowing?
- Check that all the cooking zones function correctly. Place suitable pans with water in them on each zone, then turn all of them on to a high setting. Is the water heating?
- Are all touch controls and displays functioning?
- To check that the 'hot surface' indicators function correctly, turn off all the zones. Is H displayed in all the cooking zone displays?
- Have you demonstrated the basic operation to the customer?

Explain the following to the customer:

- ① The importance of taking note of the safety warnings at the beginning of the installation and user guides, especially for persons with pacemakers or other electrical implants.
- ② The 'hot surface' indicators.

Complete and keep for safe reference:

Model _____

Serial No. _____

Purchase Date _____

Purchaser _____

Dealer Address _____

Installer's Name _____

Installer's Signature _____

Installation Company _____

Installation Date _____

FISHERPAYKEL.COM

© Fisher & Paykel Appliances 2020. All rights reserved.

The models shown in this guide may not be available in all markets
and are subject to change at any time.

The product specifications in this guide apply to the specific products and
models described at the date of issue. Under our policy of continuous product
improvement, these specifications may change at any time.

For current details about model and specification availability in your country,
please go to our website or contact your local Fisher & Paykel dealer.

592141A 05.20