

F I S H E R & P A Y K E L

W A R M I N G D R A W E R

INTEGRATED WB30SDEI

INSTALLATION GUIDE

US CA

CONTENTS

Safety and warnings	5
Warming drawer models	6
Unpack your product	7
Electrical specifications	7
Parts supplied	8
Tools required	8
Product dimensions - 30" integrated models	9
Cabinetry dimensions - 30" integrated models	10
Front panel specifications	11
Installation options	11
Installing the drawer	14
Adjusting the depth	16
Adjusting the height	16
Installer checklist	17

SAFETY AND WARNINGS

⚠ WARNING!



Tip Hazard

This product may tip. Keep children away and take care. Failure to follow this advice may result in injury.

- Drawer must be secured in place by supplied screws.
- Ensure there is a fixed shelf directly above the drawer if it is not installed under another product.

⚠ WARNING!



Cut Hazard

Failure to use caution could result in injury.

- Take care: some edges may be sharp.
- Do not put fingers in the drawer when closing.

⚠ WARNING!



Electric Shock Hazard

Failure to follow this advice may result in electrical shock or death.

- If the product is damaged, switch the appliance off and disconnect it from the mains to avoid possible electric shock.

⚠ WARNING!



Weight Hazard

Failure to follow this advice may result in damage or personal injury.

- Ensure the bottom shelf of the cabinetry can fully support the weight of combined appliances.

SAFETY AND WARNINGS

READ AND SAVE THIS GUIDE

WARNING!

To reduce the risk of fire, injury to persons or damage when using the appliance, follow the important safety guides listed below. Read all the instructions before using the appliance.

Installation

- Please make this information available to the person installing the product.
- The appliance must be installed by a qualified installer, or Fisher & Paykel trained and supported service technician to avoid faulty electrical connection.
- Ensure the installation complies with all clearance requirements and applicable standards and regulations.
- When installed in combination with a companion product, the companion product can be placed directly onto the appliance. A built-in shelf at the base of the cabinetry must be able to support the weight of both products.
- Ensure the cabinetry is square and level and with correct dimensions.
- If installing the appliance directly underneath an oven, ensure you do not damage the oven's lower trim. Fisher & Paykel does not accept any responsibility for any damage resulting from incorrect installation.
- Before installing the appliance, inspect for any signs of damage. Do not install or use damaged appliances.
- Be careful when stacking the appliances on top of each other to avoid damage to the appliances.

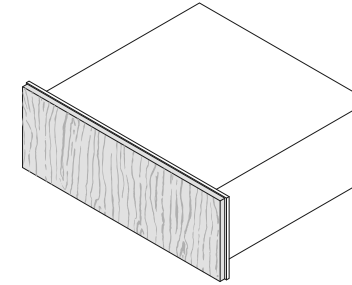
Electrical

- All connections for electrical power and earthing must be done by a qualified electrician and must comply with local codes and ordinances.
- Before installation, ensure that the voltage and frequency listed on the data plate corresponds with the household electrical supply.
- When combining with another appliance, ensure each appliance has its own power outlet. Avoid sharing the power point to prevent accidental switching off of the appliance.
- Ensure your appliance is properly grounded (earthed).
- Connect the drawer to a properly rated, protected and sized power supply circuit to avoid electrical overload.
- Do not use an extension cord or a portable electrical outlet device (e.g. multi-outlet outlet box) to connect the drawer to the power supply. Ensure the power supply cord is located so that it will not be stepped on, tripped over or otherwise subject to damage or stress.
- Ensure there is a switched outlet in an easily accessible area within 35 7/16" (900mm) of the centre rear of the product.

Servicing

- Do not repair or replace any part of the appliance unless specifically recommended in the user guide. All other servicing should be done by a Fisher & Paykel trained and supported service technician or qualified person.
- Always disconnect the power supply before doing any installation, maintenance or repair work.
- If the power supply cord is damaged, it must be replaced by a qualified electrician or Fisher & Paykel trained and supported service technician.

WARMING DRAWER MODELS



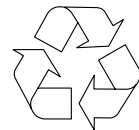
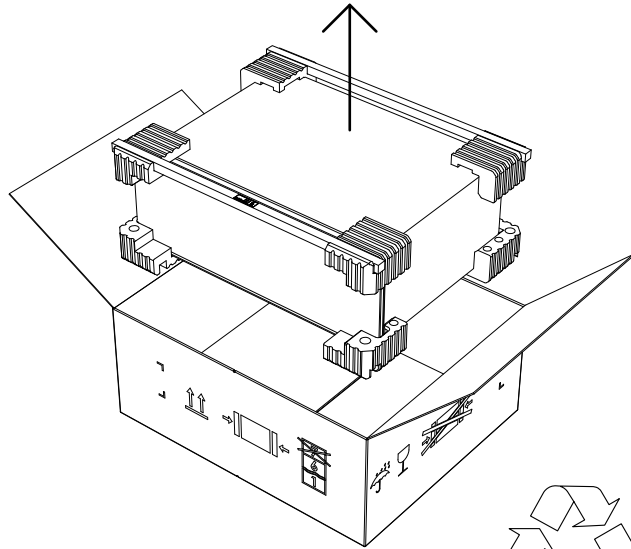
30" Warming Drawer,
Integrated style

WB30SDEI

UNPACK YOUR PRODUCT

Remove the warming drawer and accessories box from the packaging. Recycle the materials that can be reused. Dispose packaging materials in accordance with local regulations on waste disposal.

Inspect the warming drawer for any signs of damage. Do not install the warming drawer if it has been damaged. If the product is damaged, contact your local Fisher & Paykel dealer.



**RECYCLE
RESPONSIBLY**

ELECTRICAL SPECIFICATIONS

All electrical work must be done by a qualified electrician, or a Fisher & Paykel trained and supported service technician.

	WB30SDEI
Supply	110 VAC, 60 Hz
Service	10 amp circuit
Maximum Power	810 W
Power outlet*	3-prong grounding-type
Power cord (total length)	70 7/8" (1800mm)

* The power outlet must be earthed and located within 35 7/16" (900mm) of the centre rear of the product.

PARTS SUPPLIED



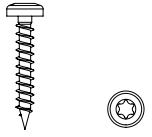
Service & Warranty
(1)



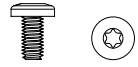
User guide (1)



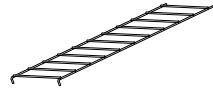
Installation guide (1)



T15 star head
wood screw (12)



T15 star head
machine screw (6)



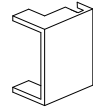
Wire shelf (1)



Side brackets (2)



Bracket cover (5)

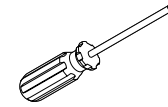


Bracket spacer (1)

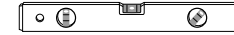
TOOLS REQUIRED



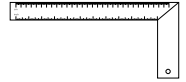
5mm Hex key



T15 star-head
screwdriver

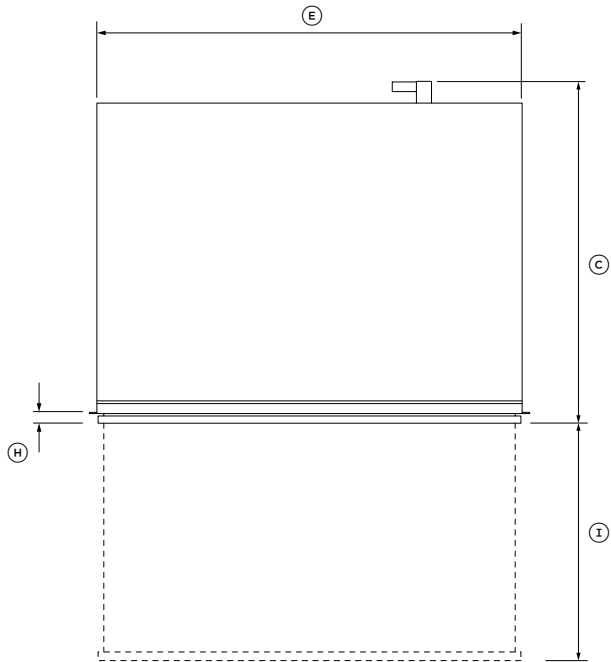


Leveler

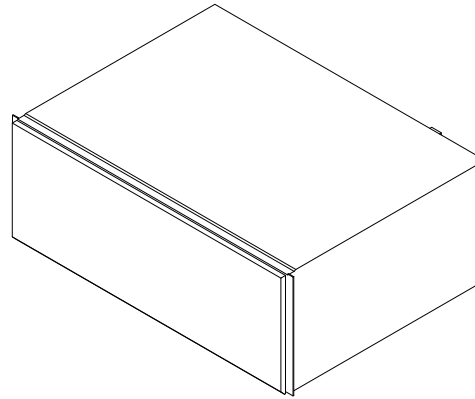


Ruler

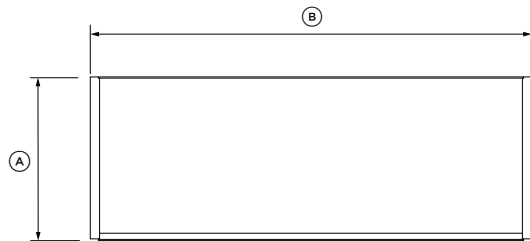
PRODUCT DIMENSIONS - 30" INTEGRATED MODELS



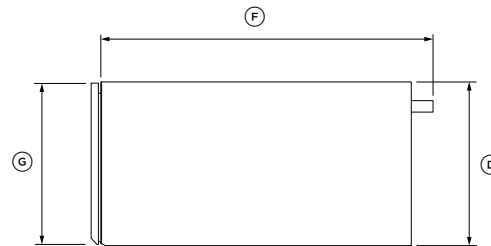
PLAN



ISOMETRIC



FRONT



PROFILE

PRODUCT DIMENSIONS	WB30SDEI	
	IN	MM
Ⓐ Overall height	10 11/16	271
Ⓑ Overall width	28 7/16	723
Ⓒ Overall depth*	22 3/16	564
Ⓓ Height of chassis	10 11/16	271
Ⓔ Width of chassis	27 13/16	707
Ⓕ Height of door frame	10 1/2	267
Ⓖ Depth of door frame**	11/16	17
Ⓗ Depth of open drawer	16 1/2	419

* Including power plug and drawer frame

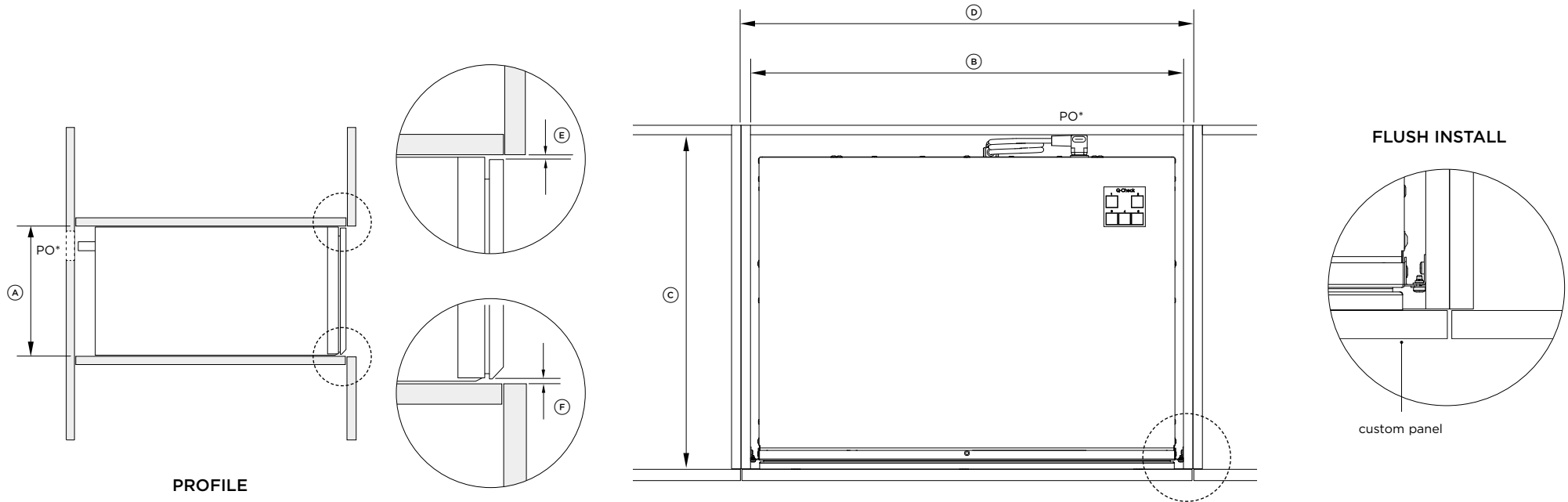
** Measured from back of chassis flange to front of door frame.

PRODUCT WEIGHT	WB30SDEI	
	LBS	KG
Total weight of drawer*	75	34

*including packaging

Actual product dimension may vary by ± 2 mm.

CABINETY DIMENSIONS - 30" INTEGRATED MODELS

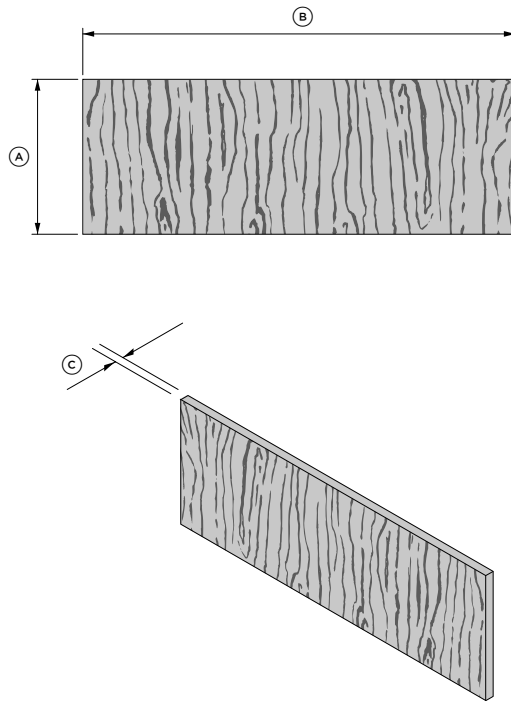


CABINETY DIMENSIONS	WB30SDEI	
	INCHES	MM
Ⓐ Minimum inside height of cavity	10 3/4	273
Ⓑ Minimum inside width of cavity	min 28 9/16 - max 28 3/4	min 725 - max 730
Ⓒ Minimum inside depth of cavity	22 1/2	572
Ⓓ Overall width of cabinetry	30	762
Ⓔ Minimum clearance between top of door frame and upper cabinetry panel	1/8	3
Ⓕ Minimum clearance between bottom of door frame and lower cabinetry panel	1/16	2

* The power outlet (PO) must be earthed and located within 35 7/16" (900mm) of the centre rear of the product.

FRONT PANEL SPECIFICATIONS

Ensure the back and sides of the panel and cabinetry around the drawer are completely sealed with a waterproof vapour barrier (ie polyurethane) to prevent damage to the panel.



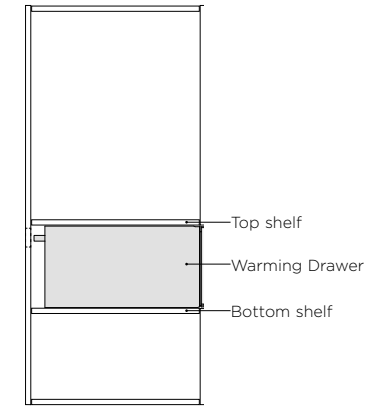
FRONT PANEL DIMENSIONS	WB30SDEI	
	IN	MM
Ⓐ Height of drawer front panel	10 1/2	267
Ⓑ Width of drawer front panel	29 15/16	760
Ⓒ Depth of drawer front panel	13/16	16-20

FRONT PANEL WEIGHT	WB30SDEI	
	LBS	KG
Total weight of drawer front panel	11	5

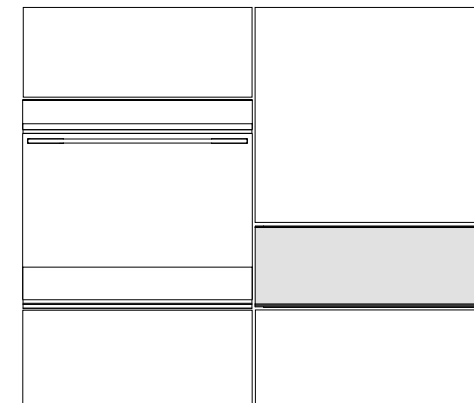
INSTALLATION OPTIONS

STANDALONE INSTALLATION

This installation is suitable for Minimal, Contemporary & Professional Warming drawers. A fixed shelf must be installed above the warming drawer.



PROFILE

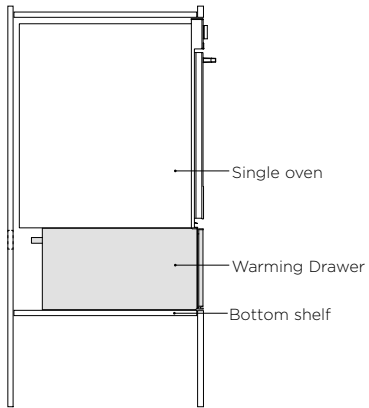


FRONT

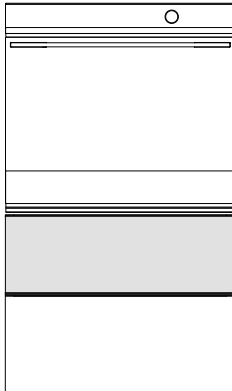
INSTALLATION OPTIONS

COMBINED WITH SINGLE OVEN

This combination is suitable for 24" and 30" Warming Drawers that can fully support 24" and 30" Fisher & Paykel wall ovens, respectively.



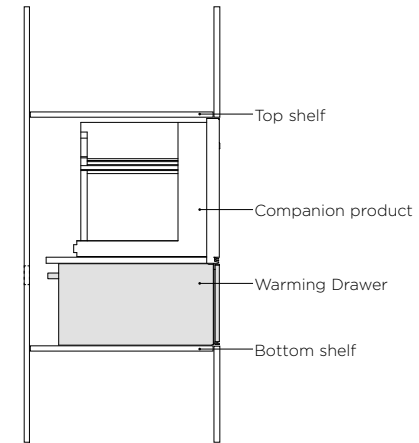
PROFILE



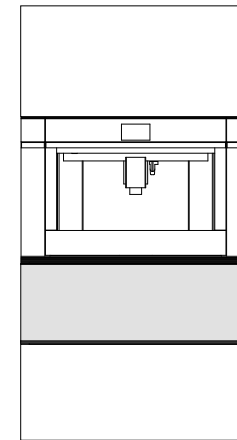
FRONT

COMBINED WITH COMPANION PRODUCT

This combination is suitable for 24" and 30" Warming Drawers that can fully support 24" and 30" Fisher & Paykel companion products, respectively.



PROFILE

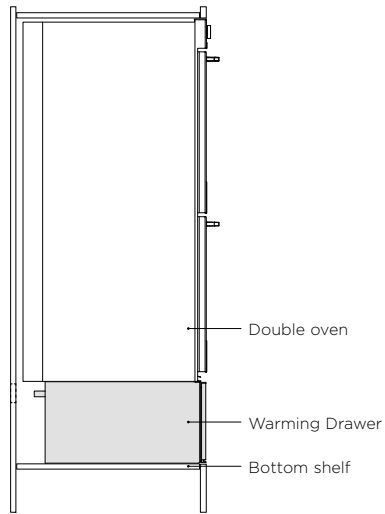


FRONT

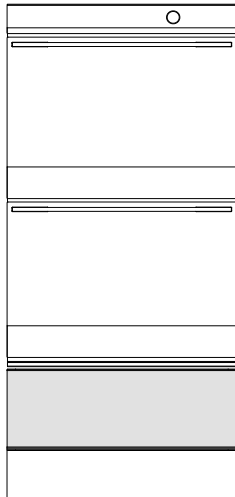
INSTALLATION OPTIONS

COMBINED WITH DOUBLE OVEN

This combination is suitable for 30" Warming Drawers that can fully support a 30" Fisher & Paykel double oven.



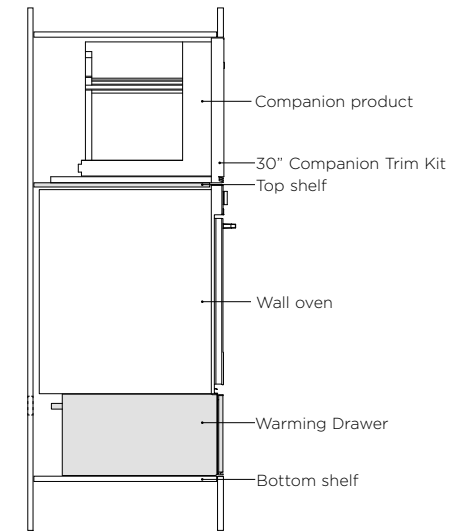
PROFILE



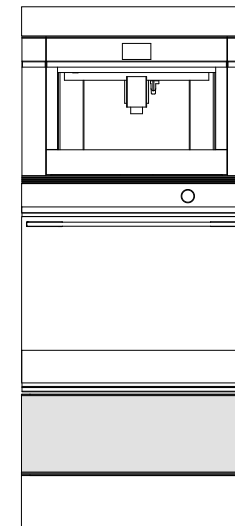
FRONT

COMBINED WITH SINGLE OVEN & COMPANION PRODUCT

This combination is suitable for 30" Warming Drawers. A shelf is required above the oven to support the 30" companion product. Ensure the bottom shelf can fully support the weight of all appliances.

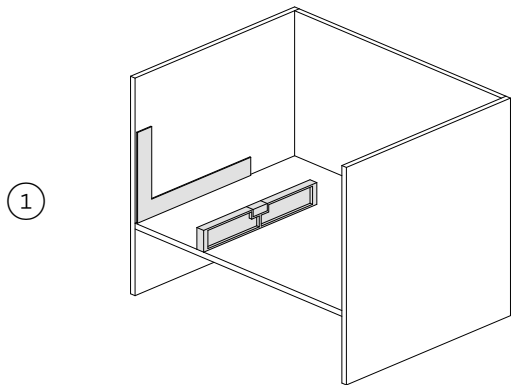


PROFILE



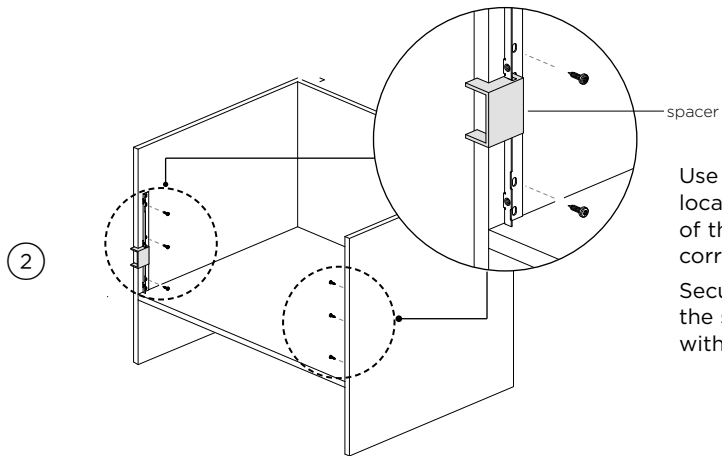
FRONT

INSTALLING THE DRAWER



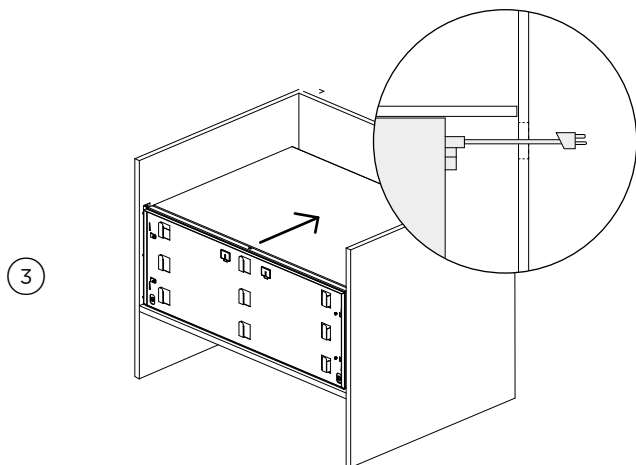
1

Check the base of the cabinetry using a leveler or ruler. Ensure the cabinetry is square and base is level.



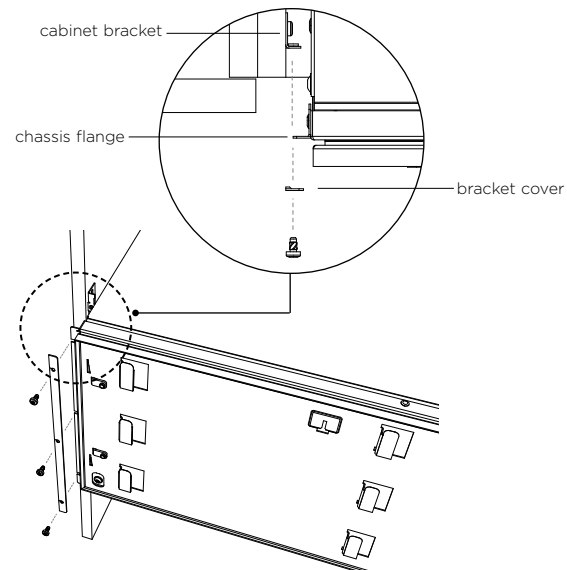
2

Use the supplied spacer to locate the attachment position of the cabinet brackets to correct depth. Secure the cabinet brackets to the side panels of the cabinetry with T15 wood screws (6x).



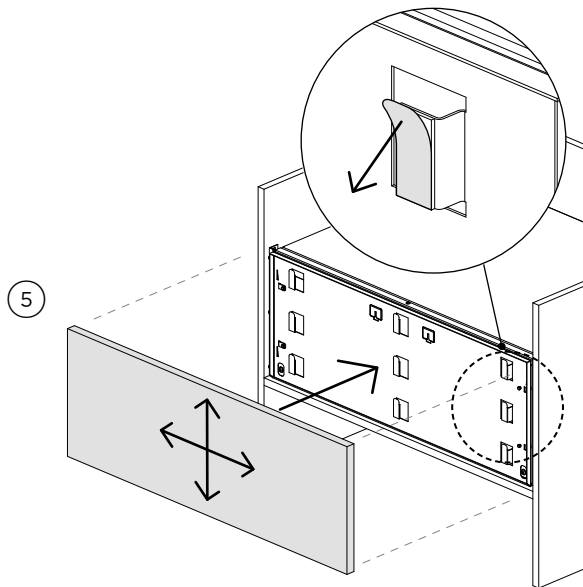
3

Connect the power plug at the back of the drawer to the power outlet. Place the warming drawer carefully inside the cabinetry.



4

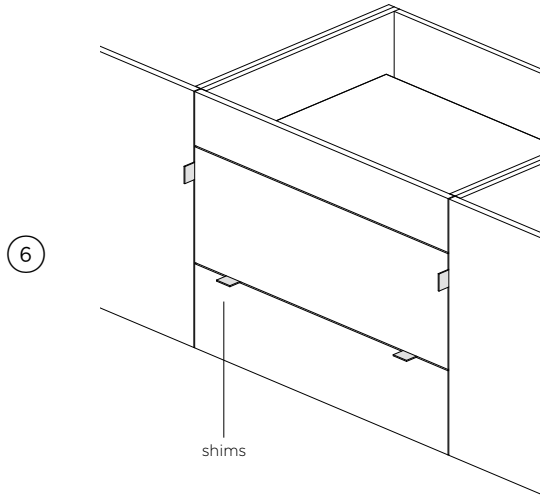
Secure the bracket cover and chassis flange to the cabinet brackets with T15 machine screws (6x).



5

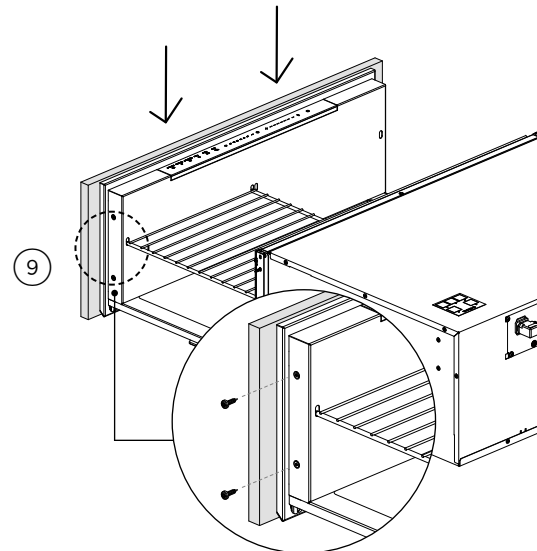
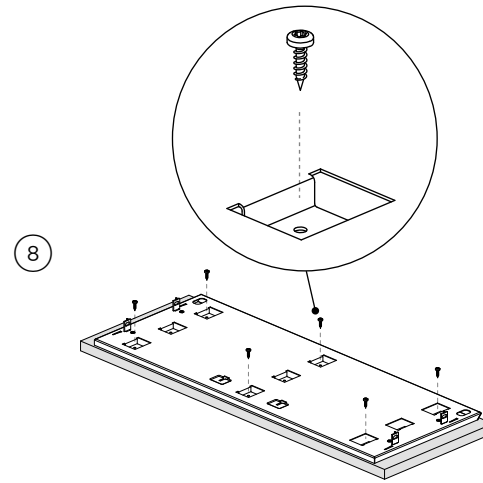
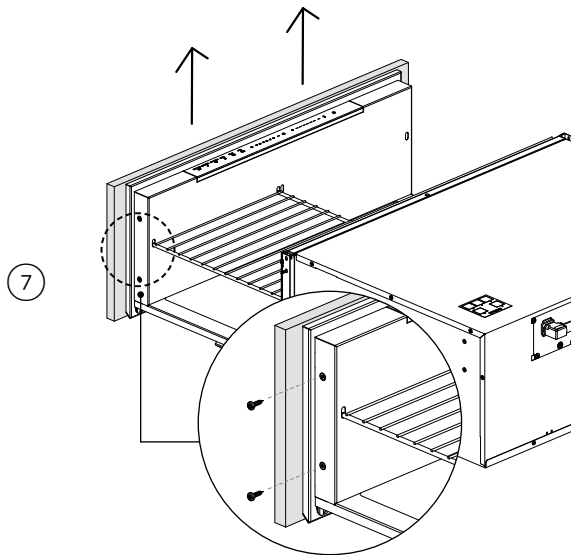
Remove the backing of adhesive tape on the door frame. Align the custom panel carefully with the cabinetry.

INSTALLING THE DRAWER



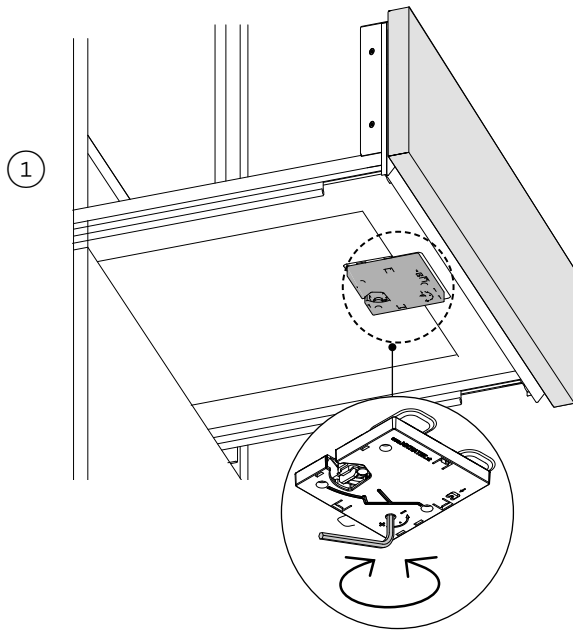
Ensure the custom panel is correctly aligned and centered before fixing to the tape as this can only be done once.

Use shims (not supplied) to ensure gaps are accurate.

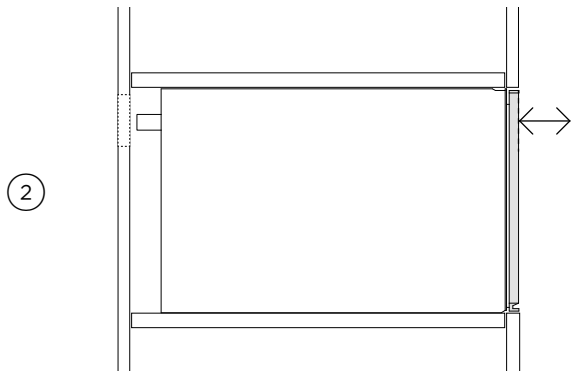


ADJUSTING THE DEPTH

The depth of the front panel of the warming drawer can be adjusted to align with the surrounding cabinetry.



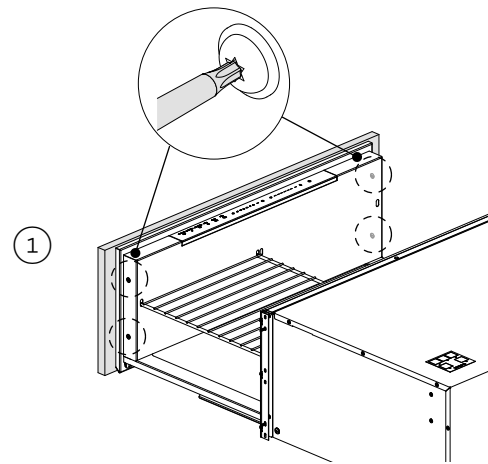
Open the drawer fully.
Using a hex key, turn the adjustment screw to move the front panel forward.
Turn clockwise to move backwards or counterclockwise to move forwards.



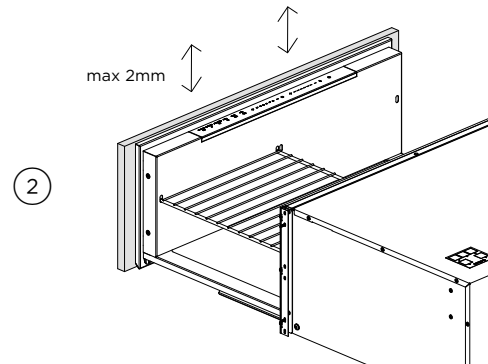
The depth is adjustable within 4mm.

ADJUSTING THE HEIGHT

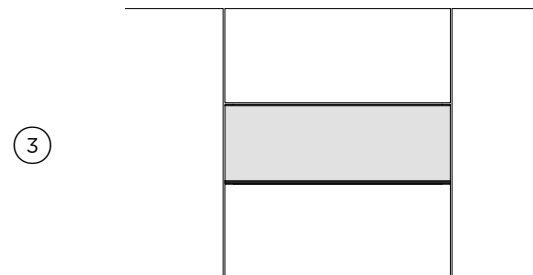
The front panel of the warming drawer can be adjusted vertically to align with the surrounding cabinetry.



Open the drawer fully, and slightly loosen the T15 screws.



Adjust to the required height and then re-tighten the screws. The height is adjustable within 2mm.



Close the drawer and check the alignment. Adjust again if necessary.

INSTALLER CHECKLIST

IMPORTANT!

Read all installation instructions in this manual to see if the unit has been correctly installed.

Ensure that installation has been completed correctly before use.

Ensure that:

- the warming drawer is level and securely fitted to the cabinetry.
- any internal packaging has been removed from the drawer.
- the isolating switch is accessible to the customer.
- the bottom shelf can fully support the total weight of the combined appliances.

Test operation:

- Open the drawer.
- Press the ① button to turn the warming drawer on.
- Shut the drawer.
- After 5-10 minutes, open the drawer to ensure heating has started.
- Press the ① button to turn the warming drawer off and shut the drawer.

Complete and keep for safe reference:

Model _____

Serial No. _____

Purchase Date _____

Purchaser _____

Dealer Address _____

Installer's Name _____

Installer's Signature _____

Installation Company _____

Installation Date _____

FISHERPAYKEL.COM

© Fisher & Paykel Appliances 2020. All rights reserved.

The models shown in this guide may not be available in all markets
and are subject to change at any time.

The product specifications in this guide apply to the specific products and
models described at the date of issue. Under our policy of continuous product
improvement, these specifications may change at any time.

For current details about model and specification availability in your country,
please go to our website or contact your local Fisher & Paykel dealer.

592266A 08.20