

CBS 1660

Freestanding / Semi Built-in

LIEBHERR

Refrigeration and Freezing



home.liebherr.com



CBS 1660

Energy consumption (kWh / y)	488
Estimated Yearly Energy Cost in US \$	68
Sound rating dB(A)	40
Total capacity cu.ft. (l)	15 (424)
Refrigerator capacity cu.ft. (l)	10.7 (303)
BioFresh comp. cu.ft. (l)	3.6 (103)
Freezer capacity cu.ft. (l)	4.3 (121)
Number of shelves	4
Number of door racks	3
Number of BioFresh drawers	2
Number of FrostSafe drawers	3
Electronic control	Touch electronic
Refrigerator temperature range °F (°C)	36 to 44°F (2 to 7°C)
Freezer temperature range °F (°C)	7 to -17°F (-14 to -27°C)
Defrost type	Automatic
Interior light	LED light column, both sides
Internal water dispenser	No
Water filter	No
IceMaker	Fixed water connection
Ice cube output lbs. (kg)/24h	3.1 (1.4)
Ice cube stock lbs. (kg)	4.4 (2.0)
Door hinges	Right, reversible
Product dimensions	
in inch (H / W / D)	79 9/16 / 29 9/16 / 24 13/16
in cm (H / W / D)	202 / 75 / 63
Cut out dimensions	
in inch (H / W / D)	80 / 30 / 24
in cm (H / W / D)	203.2 / 76.2 / 61
Net weight lbs. (kg)	277.8 (126)
Voltage V / Hz	115/60

* Energy Cost will depend on utility rates and use. Estimated energy cost based on a national average electricity cost of 14 cents per kWh.

** Noise output – according to EN 60704-3

Accessories

SBS kit	9901555
----------------	---------

Features

Duo Cooling

DuoCooling independent refrigeration systems provide precise temperature control and superior performance, efficiency and food preservation.

Power Cooling

The fan – as powerful as it is quiet – distributes the cold air efficiently throughout the entire refrigeration compartment.

Bio Fresh

BioFresh technology guarantees the perfect climate for superior, long-lasting freshness.

Super Silent

All refrigeration components such as compressors, valves, fans and evaporators are optimised and perfectly adapted to one another. This means you only hear what you want to hear in your kitchen.

Ice Maker

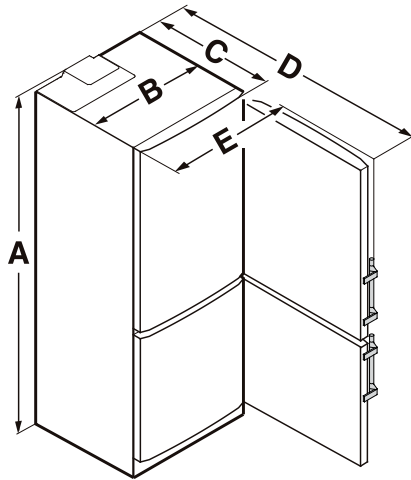
Ice Maker automatic with fixed water connection produces perfect ice cubes and keeps a constant supply on hand.

Soft System

SoftSystem integrated into the appliance door, cushions the door closure, thus eliminating slamming, even when the shelves are fully loaded.

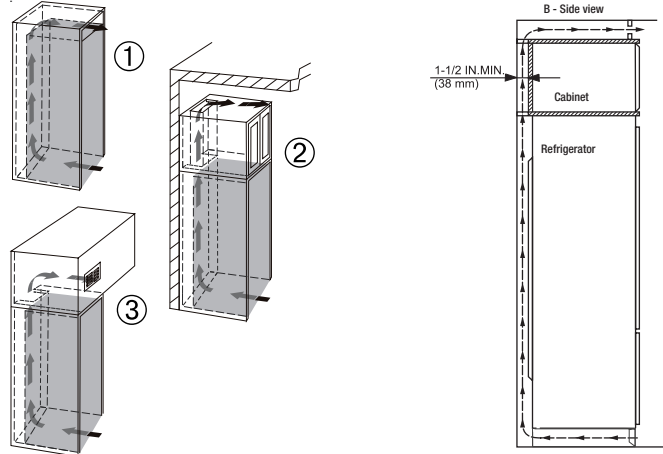
Diagrams

Product Dimensions



- A. 79-9/16" (2020 mm)
- B. 29-3/8" (747 mm)
- C. 24-13/16" (630 mm)
- D. 52-3/8" (1330 mm)
- E. 31-1/8" (791 mm)

Ventilation Requirements



Do not restrict the air flow. The opening can either be directly over the appliance ①, above the cabinet and below the ceiling ② or through a vent installed in a soffit ③.

The cabinet height as specified at 80" (2032 mm) will create a 1-5/16" (33 mm) gap above the appliance providing optimal air flow over the top of the appliance for its efficient operation.

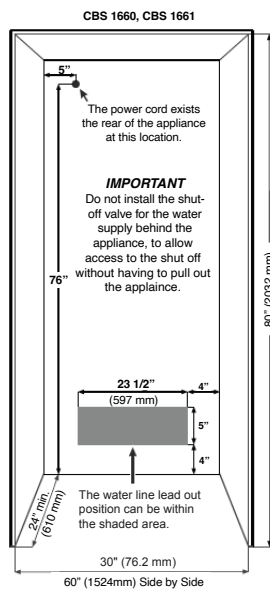
Be sure to consider the possibility of having to raise some of the leveling legs in order to level the appliance when installing. If you adjust the height of the appliance - it will effectively reduce air flow. Therefore leave yourself some room for adjustment.

IMPORTANT

The section between the freezer door and the floor must not be covered.

The refrigerator is designed to allow proper air flow when the appliance is installed up against the wall. A minimum space of 1 1/2" is required behind the cabinet when venting above an upper cabinet which is installed flush to the top of the appliance.

Semi built-in look - Cut out dimensions



The appliance can be used freestanding or semi built-in. If semi built-in, consider the cabinet opening dimensions.

The power cord comes out of the appliance top. The location of the electrical outlet can be within a radius of 90 inch from the appliance top center.