

HW 4800

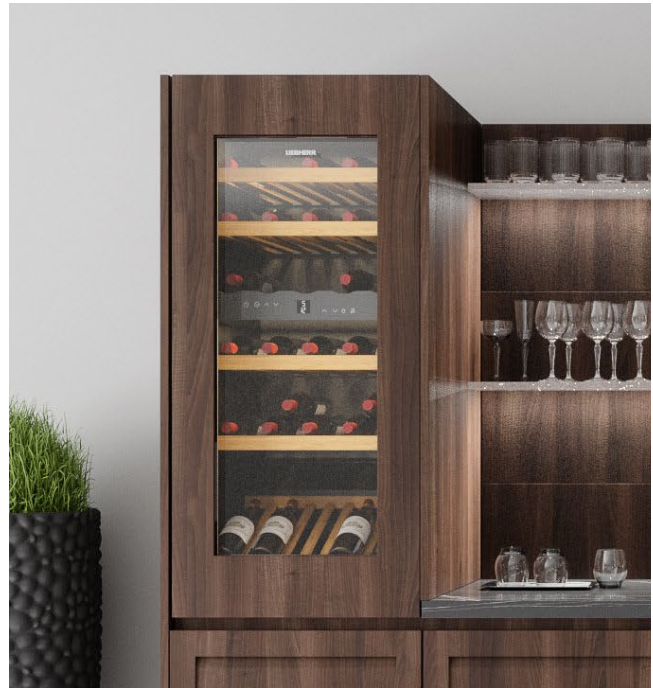
Wine Cabinets

LIEBHERR

Refrigeration and Freezing



home.liebherr.com



HW 4800

Energy consumption (kWh / y)	150
Sound rating dB(A)	36
Total capacity cu.ft. (l)	5.6 (158)
Max. No. of Bordeaux bottles (0.75l)	48
Number of shelves	6
Shelves on telescopic rails	4
Self material	Beech wood
Presentation shelf	Yes
Electronic control	Touch electronic
Temperature range °F (°C)	41 to 68°F (5 to 20°C)
Temperature zones	2
Temperature alarm	Yes
Interior light	LED interior lighting
Door alarm	Acoustic
Safety thermostat	Yes
Activated charcoal filter	Yes
Door type	Panel ready, glass
Door hinges	Right, reversible
SoftSystem	Yes
Door lock	No
Product dimensions	
in inch (H / W / D)	48 / 21 15/16 / 21 13/16
in cm (H / W / D)	121.8 / 55.7 / 55.3
Cut out dimensions	
in inch (H / W / D)	48 1/16 / 22 1/16 / 21 11/16
in cm (H / W / D)	122 / 56 / 55
Net weight lbs. (kg)	-
Voltage V / Hz	115/60

Accessories

FreshAir charcoal filter	7434557
Ventilation grill	7420465 9097348
Stainless steel panel with handle	9901575
Brushed aluminum square handle	9901561

Features

LED

LED lighting is energy efficient, long-lasting, and maintenance-free.

Wine

Wine storage cabinets provide similar conditions to wine cellars. A constant temperature prevails throughout the interior in these appliances. It can be set to between 41° to 68° F (5° to 20°C) as required. Wine storage cabinets are ideal for the long-term storage and maturing of wines.

Soft System

SoftSystem integrated into the appliance door, cushions the door closure, thus eliminating slamming, even when the shelves are fully loaded.

Telescopic Rails

Telescopic rails a self-closing system for drawers and shelves, ensures easy and convenient handling.

ADA Compliant

ADA compliant, with control panel designed to be accessible within 55" from the floor.

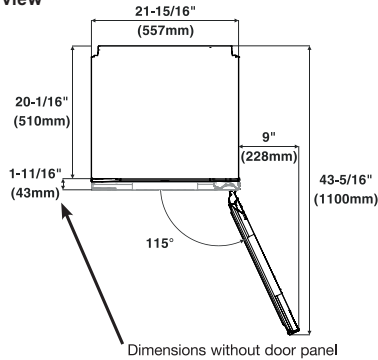
** Noise output – according to EN 60704-3

Not recommended for installation or use at altitude greater than 5000 feet above sea level.

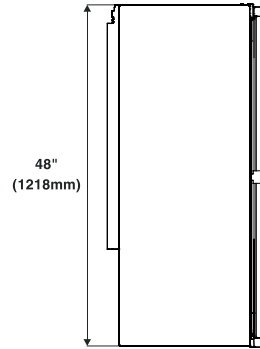
Diagrams

Product Dimensions

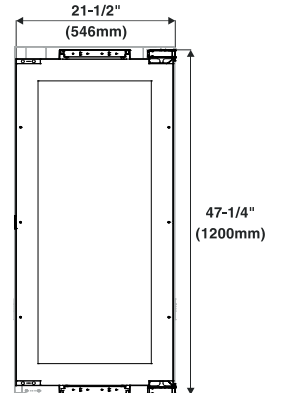
Top view



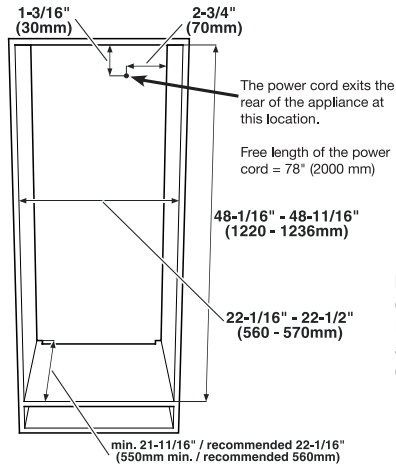
Side view



Dimensions of Appliance Door

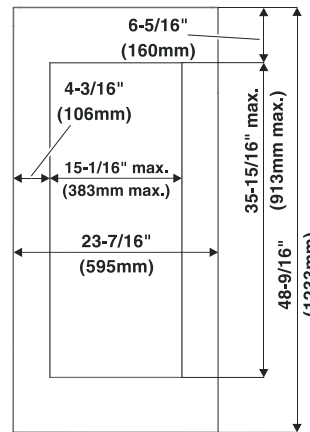


Cabinet Dimensions



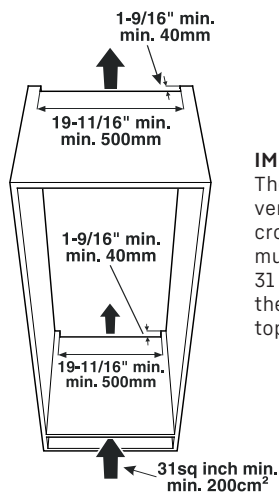
IMPORTANT: The electrical outlet must not be situated behind the appliance and must be easily accessible.

Custom Panel Dimensions



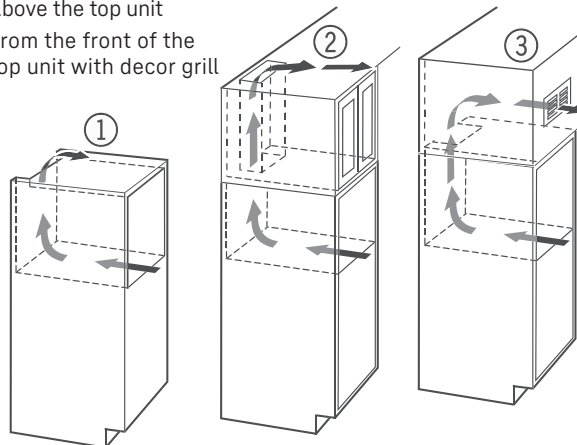
Maximum weight of the custom panel door is 44 lbs (20kg). The door should be at least 5/8 in. (16 mm) thick to allow the connecting rails to be fastened to it. The maximum thickness of the door panel can be 3/4 in. (19mm).

Ventilation Requirements



IMPORTANT: The clear ventilation cross section must be at least 31 sq inches from the lower to the top opening.

- ① Directly above the appliance
- ② Above the top unit
- ③ From the front of the top unit with decor grill



IMPORTANT When using decor grills, the sum of the individual openings must total a minimum of 31 square inches. A cut-out section of 31 square inches (200 cm²) for installing the ventilation grill is thus not sufficient.