

24" Built-In Custom Panel Bottom Freezer

800 Series – Custom Panel B09IB91NSP



B09IB91NSP
Custom Panel

The 24" Custom Panel Bottom Freezer, with Home Connect, provides smart solutions and the optimal freshness environment for small kitchen spaces.

Features & Benefits

Remotely monitor and control your refrigerator with the Home Connect® app.

The VitaFreshPro® Drawer keeps fruit and vegetables fresher longer.

Installs completely flush.

Bright LED lighting illuminates the entire interior.

ENERGY STAR® qualified for energy efficiency.

Easy to install Custom Panel

General Properties	
Reversible door hinge	Yes
Fully flush, zero clearance hinge	Yes
Water filter	No
Lighting	Recessed LED lighting
Defrost process refrigerator section	Frost-free
Number of shelves – refrigerator	3
Adjustable shelves – refrigerator	2
Shelf material – refrigerator	Tempered glass with metal trim
Type of shelves – refrigerator	Full-width
Gallon storage bins	No
Humidity and temperature controlled drawer	VitaFreshPro®
Defrost process freezer section	Automatic
Number of drawers – freezer	3
Ice packs	2
MultiAirFlow™	Yes
Wi-Fi enabled	Yes, Home Connect® app
Small item railing	Yes, in the door bin
Soft close capability	Yes



Capacity

Total capacity 8.3 cu. ft.

Technical Details

Current 10 A

Volts 120 V

Frequency 60 Hz

Power cord length 90.5"

Plug type 3-Prong

Dimensions & Weight

Appliance dimensions (H x W x D) 69 3/4" x 22" x 21 1/2"

Required cutout size (H x W x D) 70" x 22 1/16" x 22 1/16"

Net weight 145 lbs

Efficiency

ENERGY STAR® qualified Yes

Energy consumption 388 kWh



Accessories: To purchase Bosch accessories, cleaners & parts please visit www.bosch-home.com/us/store or call 1-800-944-2904 (Mon to Fri 5 am to 6 pm PST, Sat 6 am to 3 pm PST).

Notes: All height, width and depth dimensions are shown in inches. BSH reserves the absolute and unrestricted right to change product materials and specifications, at any time, without notice. Consult the product's installation instructions for final dimensional data and other details prior to making cutout.

Warranties: Please see Use & Care manual or Bosch website for statement of limited warranty.

For more information on our entire line of products, go to www.bosch-home.com/us or call 1-800-944-2904

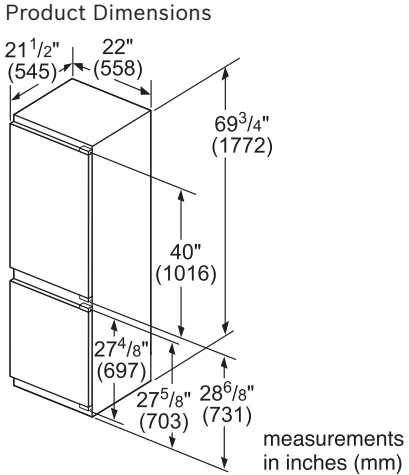
© BSH Home Appliances Corporation. All rights reserved. Bosch is a registered trademark of Robert Bosch GmbH.

24" Built-In Custom Panel Bottom Freezer

800 Series – Custom Panel B09IB91NSP

Installation Details

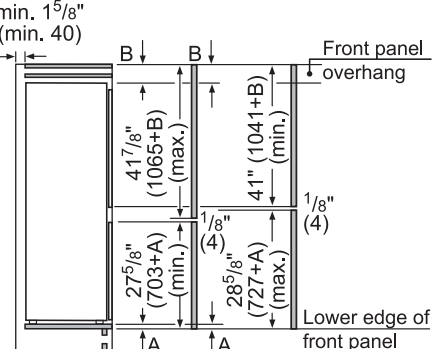
Product Dimensions



21 1/2" (545) 22" (558) 69 3/4" (1772) 40" (1016) 27 4/8" (697) 27 5/8" (703) 28 5/8" (731)

measurements in inches (mm)

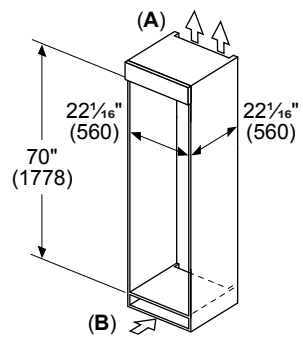
Custom Door Panel Dimensions



min. 1 5/8" (min. 40) B B Front panel overhang 41 7/8" (1065+B) (max.) 41" (1041+B) (min.) 1/8" (4) 27 5/8" (703+A) (min.) 28 5/8" (727+A) (max.) Lower edge of front panel

The specified unit door dimensions are valid for a door gap of 1/8" (4 mm).
measurements in inches (mm)

Cutout and Clearances

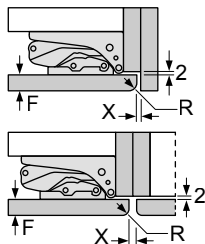


70" (1778) 22 1/16" (560) 22 1/16" (560)

A: Air outlet $\geq 31''^2$ ($\geq 200 \text{ cm}^2$)
B: Ventilation space in the base $\geq 31''^2$ ($\geq 200 \text{ cm}^2$)

measurements in inches (mm)

Recommended Gap Dimensions for Flat Hinges



	F	R	X
16-19	0-3	2.5	
	20	0-1	3
21	2-3	2.5	
	0-1	3	
22	2-3	2.5	
	0	4	
	1	3.5	
	2-3	3	

The gap dimensions recommended in the table must be maintained to guarantee collision-free opening of appliance doors and avoid damage to kitchen furniture.

Measurements in mm

IMPORTANT: Handleless Panels should not be installed on units without the soft close capability. If you are uncertain if you have a refrigeration unit with soft close capability please contact our customer team by calling 1-800-944-2904.

Accessories: To purchase Bosch accessories, cleaners & parts please visit www.bosch-home.com/us/store or call 1-800-944-2904 (Mon to Fri 5 am to 6 pm PST, Sat 6 am to 3 pm PST).

Notes: All height, width and depth dimensions are shown in inches. BSH reserves the absolute and unrestricted right to change product materials and specifications, at any time, without notice. Consult the product's installation instructions for final dimensional data and other details prior to making cutout.

Warranties: Please see Use & Care manual or Bosch website for statement of limited warranty.

For more information on our entire line of products, go to www.bosch-home.com/us or call 1-800-944-2904

© BSH Home Appliances Corporation. All rights reserved. Bosch is a registered trademark of Robert Bosch GmbH.