

30" Under-Cabinet Wall Hood

800 Series – Stainless Steel DPH30652UC



DPH30652UC
Stainless Steel

Quickly and quietly clears the air of smoke and odors.

Features & Benefits

600 CFM centrifugal integrated blower included.

Allows you to adjust the performance of your hood to match the type of cooking.

Efficiently filters grease and other solid particles out of the extracted air.

Flexible design gives the ability to recirculate the air back into the kitchen.

Professional styling with deep capture area.

General Properties

Operating mode	Convertible: ducted / recirculating
Maximum CFM (blower)	600 CFM
Number of speed settings	2-stage
Motor location	Integrated motor in hood body
Number of lights	2
Bulb type	Incandescent
Light lumens	380
Light color	2700 K
Total power of the lamps	80 W
Damper included	Yes
Grease filter material	Aluminum
Grease filter type	Multilayer cassette

Technical Details

Watts	449 W
Volts	120 V
Frequency	60 Hz
Plug type	No plug



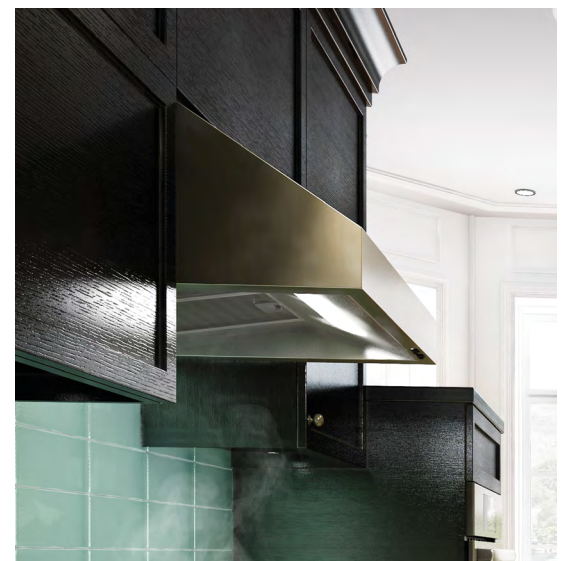
Dimensions & Weight

Overall appliance dimensions (width of canopy included) (HxWxD)	11" x 30" x 23"
Minimum distance above cooktop / range cooking surface	Min. 30" Electric / 30" Gas
Diameter of air duct top	8"
Diameter of air duct back	8"
Net weight	34 lbs

Accessories – Optional

Replacement charcoal filter	DHZ3052UC
Recirculation kit	DRZ3052UC*

*DRZ3052UC recirculation kit adds 4" to height of appliance.



Accessories: To purchase Bosch accessories, cleaners & parts please visit www.bosch-home.com/us/store or call 1-800-944-2904 (Mon to Fri 5 am to 6 pm PST, Sat 6 am to 3 pm PST).

Notes: All height, width and depth dimensions are shown in inches. BSH reserves the absolute and unrestricted right to change product materials and specifications, at any time, without notice. Consult the product's installation instructions for final dimensional data and other details prior to making cutout.

Warranties: Please see Use & Care manual or Bosch website for statement of limited warranty.

For more information on our entire line of products, go to www.bosch-home.com/us or call 1-800-944-2904

© BSH Home Appliances Corporation. All rights reserved. Bosch is a registered trademark of Robert Bosch GmbH.

30" Under-Cabinet Wall Hood

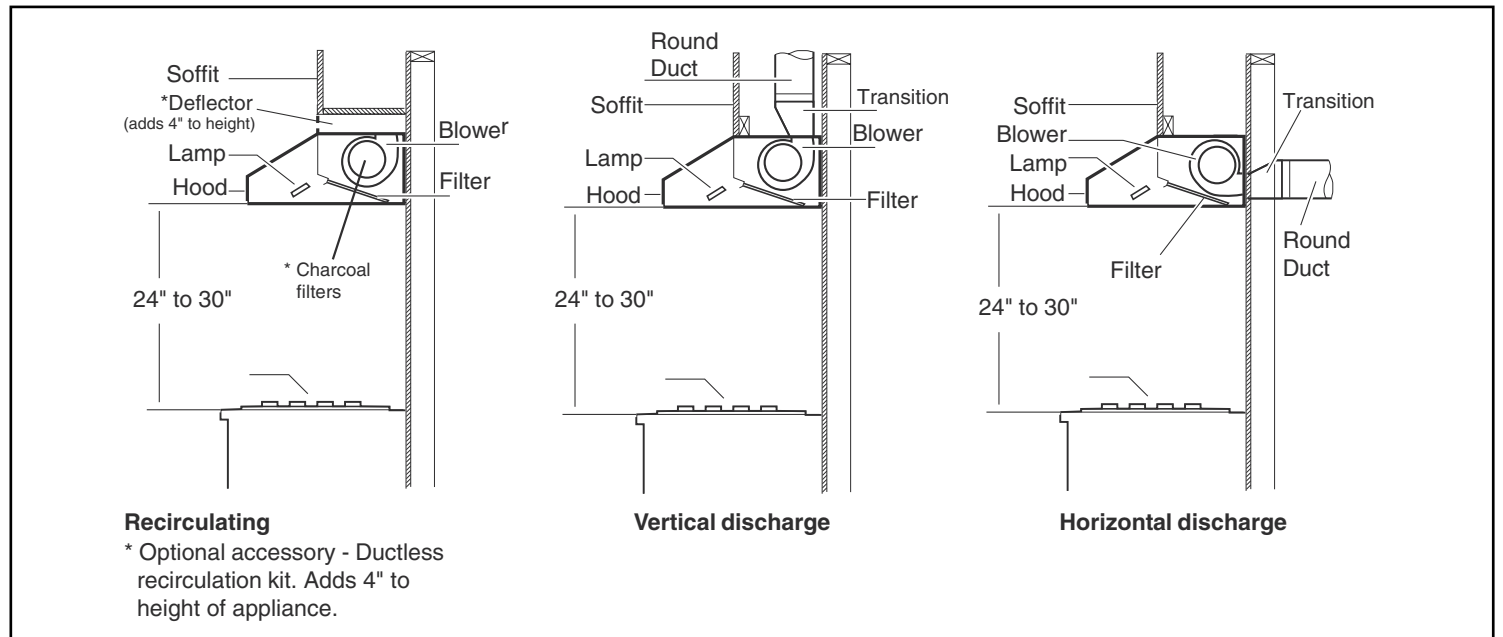
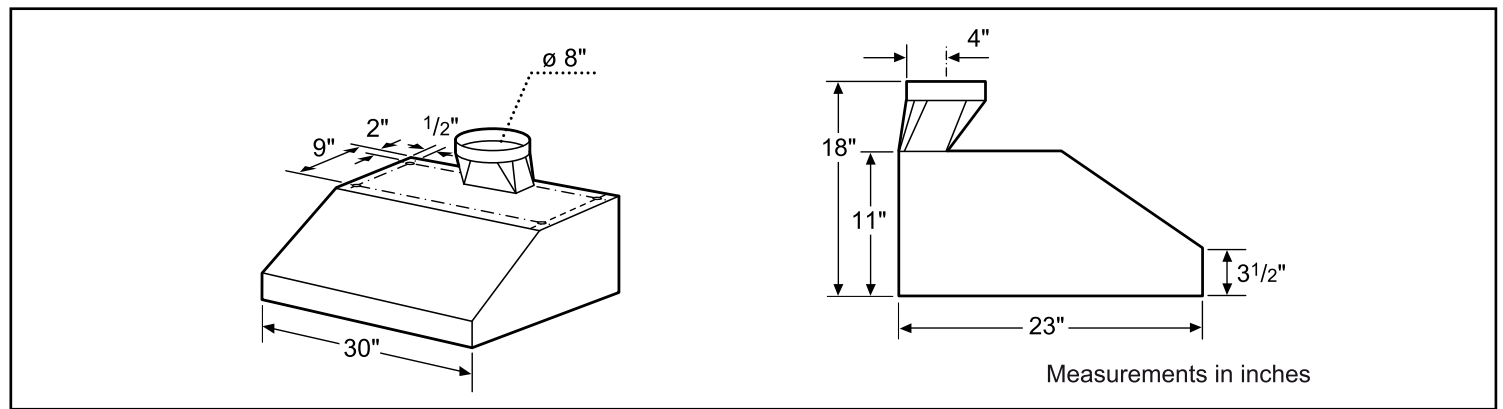
800 Series – Stainless Steel DPH30652UC



HVI Performance Values

Exhaust	Duct Size	Pressure (in. H2O)		Power (W)		CFM		Sones	
		High Speed	Working Speed	High Speed	Working Speed	High Speed	Working Speed	High Speed	Working Speed
Vertical	8"	0.1	0.013	445	174	500	170	12.5	2.0
Horizontal	8"	0.1	0.013	449	176	520	180	12.5	2.0

Installation Details



Accessories: To purchase Bosch accessories, cleaners & parts please visit www.bosch-home.com/us/store or call 1-800-944-2904 (Mon to Fri 5 am to 6 pm PST, Sat 6 am to 3 pm PST).

Notes: All height, width and depth dimensions are shown in inches. BSH reserves the absolute and unrestricted right to change product materials and specifications, at any time, without notice. Consult the product's installation instructions for final dimensional data and other details prior to making cutout.

Warranties: Please see Use & Care manual or Bosch website for statement of limited warranty.

For more information on our entire line of products, go to www.bosch-home.com/us or call 1-800-944-2904

© BSH Home Appliances Corporation. All rights reserved. Bosch is a registered trademark of Robert Bosch GmbH.