

# 30" Microwave Combination Oven

500 Series – Stainless Steel HBL57M52UC



**BOSCH**  
Invented for life



**HBL57M52UC**  
Stainless Steel

**Built-In Microwave Design Matched for Use in Combination with Bosch Wall Oven.**

## Features & Benefits

Convection Pro combines a third heating element with a back fan for even browning and time savings by using multiple racks at one time.

Bosch wall ovens are compatible with most competitor's cutouts.

The wall oven is designed to be installed flush with cabinetry.

## General Properties

Oven modes – upper cavity	Microwave; 10 Sensor Cooking Programs (including Baked Potato, Sweet Potato, Fresh Vegetable, Frozen Vegetable, Ground Meat, Fish/Seafood, Brown Rice, White Rice, Frozen Entrees, Reheat), Popcorn, Beverage, Melt/Soften, Defrost
---------------------------	---

Oven modes – lower cavity	Bake, Variable Broil (hi & low), Roast, Warm, Sabbath, Proof Dough, Convection Bake, Convection Broil, Convection Roast, Pizza, Convection Multi-Rack, Convection Conversion
---------------------------	--

Cleaning type – lower	Self Clean
-----------------------	------------

Telescopic rack	0
-----------------	---

Illumination type	LED (Upper) / Halogen (Lower)
-------------------	-------------------------------

Interior lights	1 Upper / 1 Lower
-----------------	-------------------

## Oven Performance

Microwave power – upper cavity	950 W
--------------------------------	-------

Bake / broil element – upper cavity	N/A
-------------------------------------	-----

Bake / broil element – lower cavity	2,400 / 3,800 W
-------------------------------------	-----------------

Convection element – lower cavity	2,000 W
-----------------------------------	---------

## Technical Details

Watts	9,600 W
-------	---------

Circuit breaker	40 A
-----------------	------

Volts; Frequency	240 / 208 V; 60 Hz
------------------	--------------------

Power cord length	60"
-------------------	-----

Plug type	Fixed Connection, No Plug
-----------	---------------------------

Energy source	Electric
---------------	----------



\*Wall oven only

## Dimensions & Weight

Overall appliance dimensions (HxWxD)	49" x 29 3/4" x 24 1/2"
--------------------------------------	-------------------------

Required cutout size – Standard (HxWxD)	48 5/8" x 28 1/2" x 23 1/2"
---	-----------------------------

Required cutout size – Flush (HxWxD)	49 1/8" x 30" x 24 1/2"
--------------------------------------	-------------------------

Oven cavity size – upper	1.6 cu. ft.
--------------------------	-------------

Overall upper oven interior dimensions (HxWxD)	9 7/8" x 16 1/2" x 16 1/2"
--	----------------------------

Turntable – Glass Max. Cookware – upper	14 1/8" dia.
---	--------------

Oven cavity size – lower	4.6 cu. ft.
--------------------------	-------------

Overall lower oven interior dimensions (HxWxD)	17 13/16" x 24 1/8" x 18"
--	---------------------------

Usable lower oven interior dimensions (HxWxD)	12 5/16" x 23 1/4" x 15 1/4"
---	------------------------------

Net weight	259 lbs
------------	---------

## Accessories—Included

Upper Oven: Glass Turntable  
Lower Oven: 3 Standard Racks

## Accessories—Optional



**HEZTR301**  
30" Telescopic Rack



**00449757**  
Broiler Pan



**00798845**  
30" Flat Rack

**Accessories:** To purchase Bosch accessories, cleaners & parts please visit [www.bosch-home.com/us/store](http://www.bosch-home.com/us/store) or call 1-800-944-2904 (Mon to Fri 5 am to 6 pm PST, Sat 6 am to 3 pm PST).

**Notes:** All height, width and depth dimensions are shown in inches. BSH reserves the absolute and unrestricted right to change product materials and specifications, at any time, without notice. Consult the product's installation instructions for final dimensional data and other details prior to making cutout.

**Warranties:** Please see Use & Care manual or Bosch website for statement of limited warranty.

**For more information on our entire line of products, go to [www.bosch-home.com/us](http://www.bosch-home.com/us) or call 1-800-944-2904**

© BSH Home Appliances Corporation. All rights reserved. Bosch is a registered trademark of Robert Bosch GmbH.

# 30" Microwave Combination Oven

500 Series – Stainless Steel HBL57M52UC

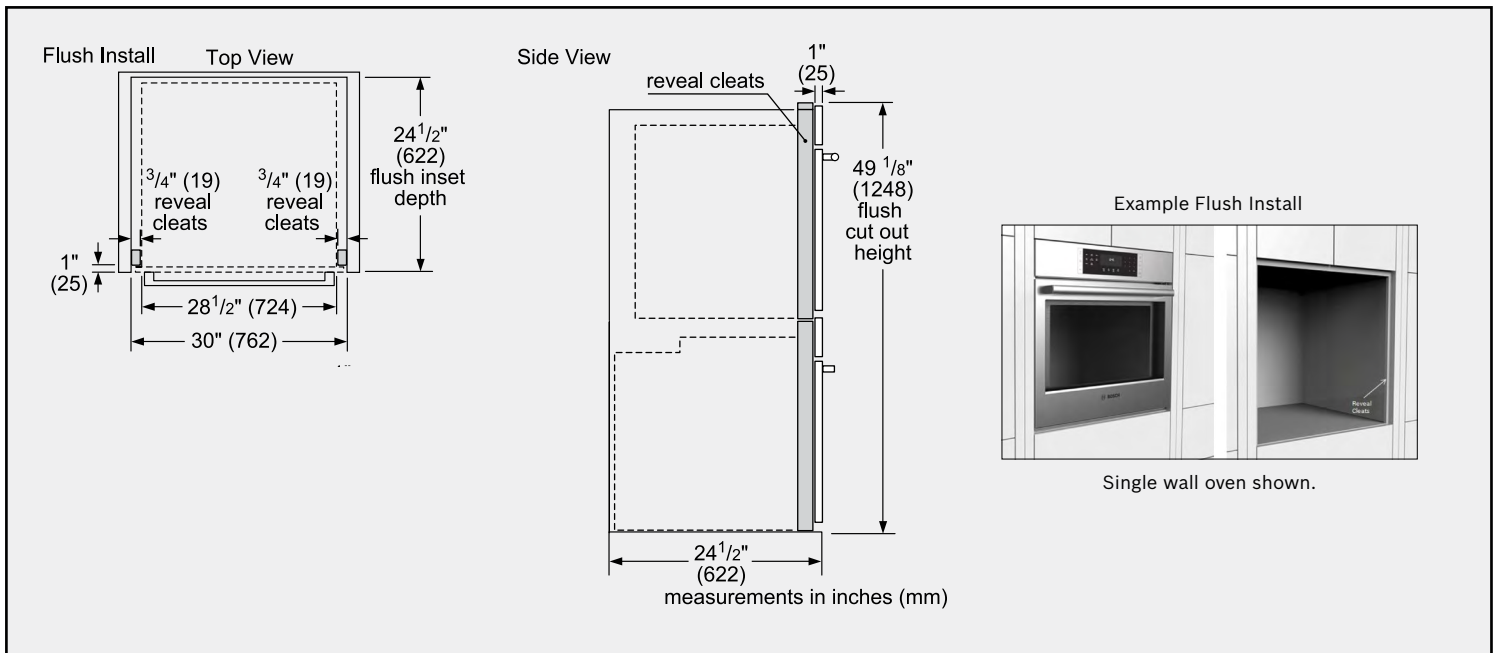
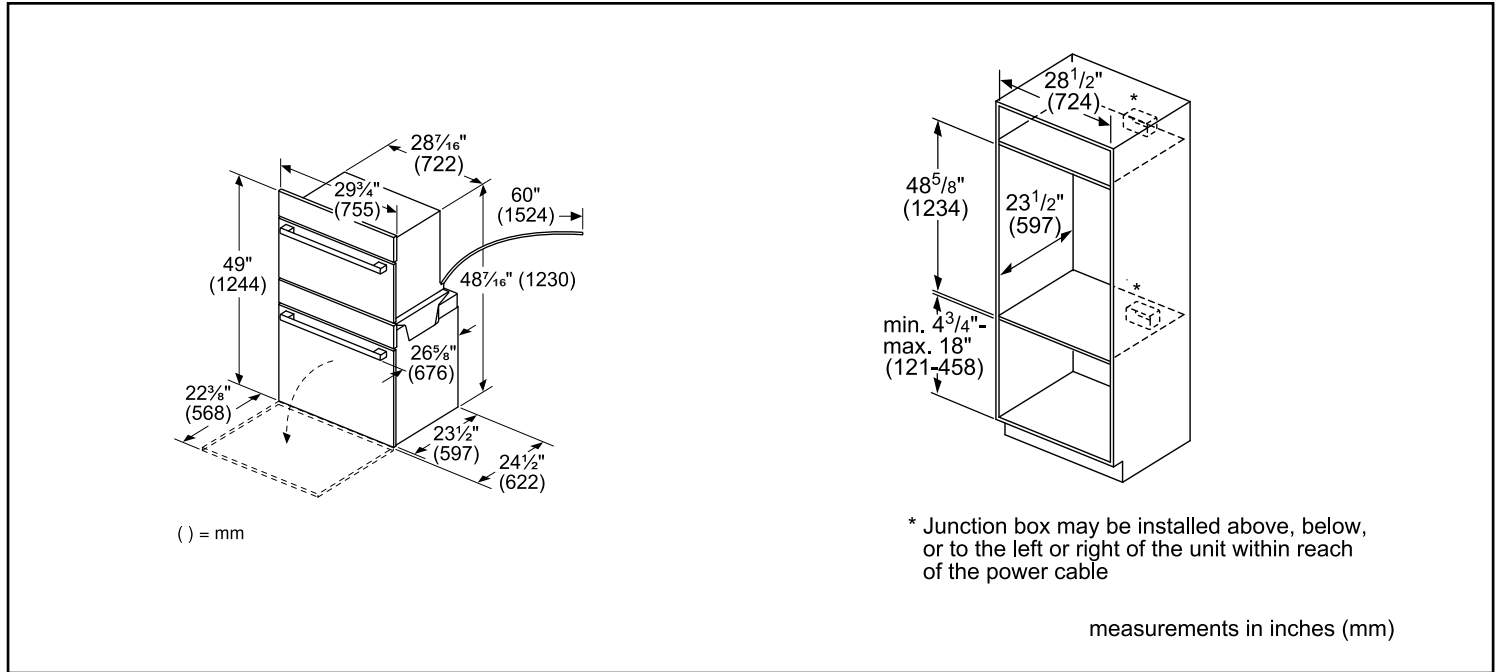


**BOSCH**

Invented for life



## Installation Details



**Accessories:** To purchase Bosch accessories, cleaners & parts please visit [www.bosch-home.com/us/store](http://www.bosch-home.com/us/store) or call 1-800-944-2904 (Mon to Fri 5 am to 6 pm PST, Sat 6 am to 3 pm PST).

**Notes:** All height, width and depth dimensions are shown in inches. BSH reserves the absolute and unrestricted right to change product materials and specifications, at any time, without notice. Consult the product's installation instructions for final dimensional data and other details prior to making cutout.

**Warranties:** Please see Use & Care manual or Bosch website for statement of limited warranty.

**For more information on our entire line of products, go to [www.bosch-home.com/us](http://www.bosch-home.com/us) or call 1-800-944-2904**

© BSH Home Appliances Corporation. All rights reserved. Bosch is a registered trademark of Robert Bosch GmbH.

# 30" Microwave Combination Oven

500 Series – Stainless Steel HBL57M52UC

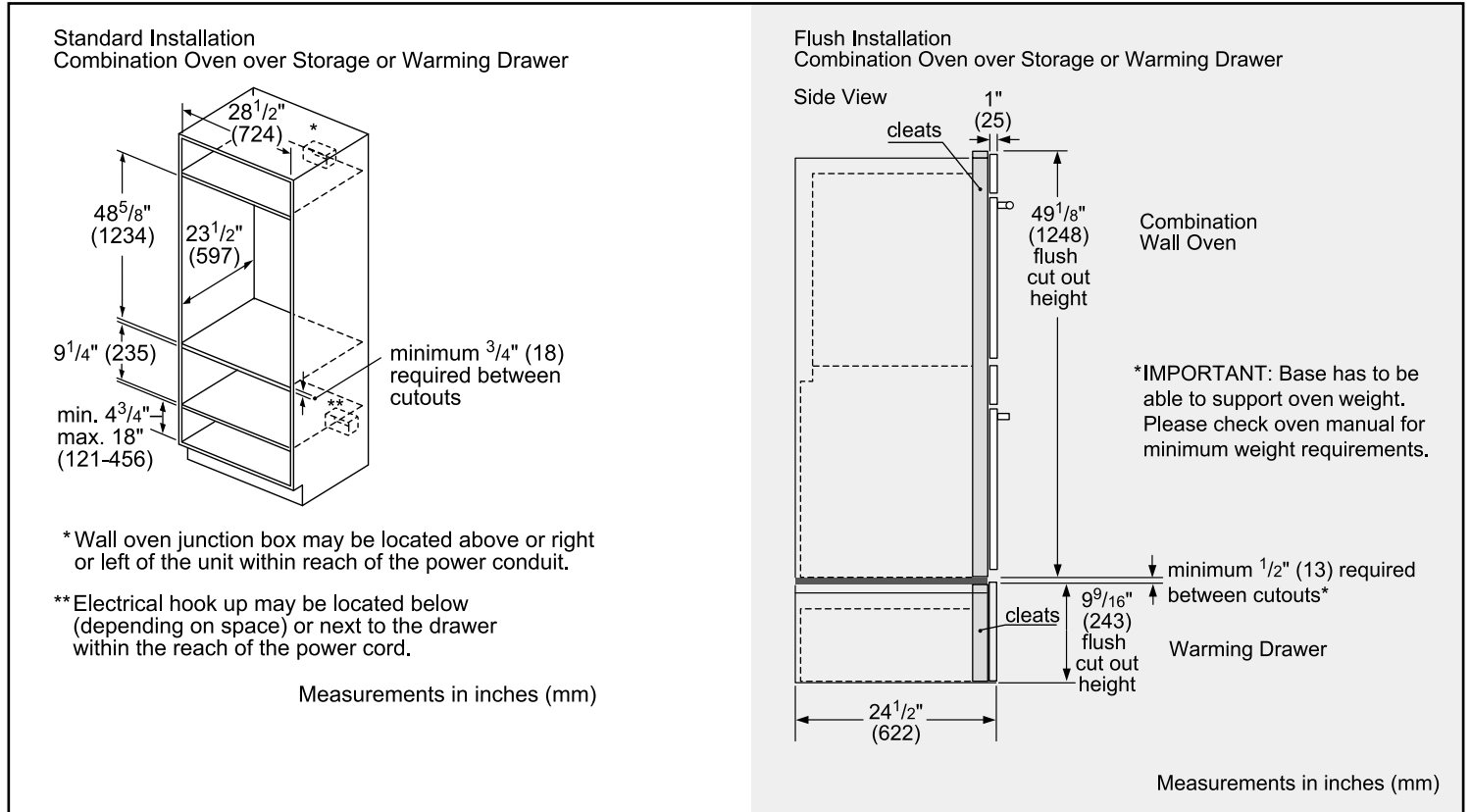


**BOSCH**

Invented for life



## Installation Details



**Accessories:** To purchase Bosch accessories, cleaners & parts please visit [www.bosch-home.com/us/store](http://www.bosch-home.com/us/store) or call 1-800-944-2904 (Mon to Fri 5 am to 6 pm PST, Sat 6 am to 3 pm PST).

**Notes:** All height, width and depth dimensions are shown in inches. BSH reserves the absolute and unrestricted right to change product materials and specifications, at any time, without notice. Consult the product's installation instructions for final dimensional data and other details prior to making cutout.

**Warranties:** Please see Use & Care manual or Bosch website for statement of limited warranty.

**For more information on our entire line of products, go to [www.bosch-home.com/us](http://www.bosch-home.com/us) or call 1-800-944-2904**

© BSH Home Appliances Corporation. All rights reserved. Bosch is a registered trademark of Robert Bosch GmbH.