

# 30" Pyramid Canopy Chimney Hood

300 Series – Stainless Steel HCP30E52UC



**BOSCH**  
Invented for life



**HCP30E52UC**  
Stainless Steel

The **ENERGY STAR®** hood is quiet in operation providing better efficiency and comfort with less noise.

## Features & Benefits

Touch controls with LCD display.

300 CFM centrifugal integrated blower included.

Three speed touch controls with LCD display.

Dishwasher safe aluminum mesh filters.

Converts to recirculation mode with accessory kit (separate purchase required).

## General Properties

|                          |                                     |
|--------------------------|-------------------------------------|
| Operating mode           | Convertible: ducted / recirculating |
| Maximum CFM (blower)     | 300 CFM                             |
| Number of speed settings | 3-stage                             |
| Motor location           | Integrated motor in hood chimney    |
| Number of lights         | 2                                   |
| Bulb type                | LED                                 |
| Light lumens             | 500                                 |
| Light color              | 2700-3000 K                         |
| Total power of the lamps | 13 W                                |
| Damper included          | Yes                                 |
| Grease filter material   | Aluminum                            |
| Grease filter type       | Multilayer cassette                 |

## Technical Details

|           |         |
|-----------|---------|
| Watts     | 161 W   |
| Volts     | 120 V   |
| Frequency | 60 Hz   |
| Plug type | No plug |



## Dimensions & Weight

|   |   |
|---|---|
| Overall appliance dimensions (width of canopy included) (HxWxD) | 24 9/16" – 38 7/8" / 28 1/4" – 42 9/16" x 30" x 19 11/16" |
| Height of the chimney   | 19 9/16" – 33 7/8" / 23 1/4" – 42 9/16"                   |
| Minimum distance above cooktop / range cooking surface          | Min. 24" electric / Min. 27" gas                          |
| Diameter of air duct top  | 8"  |
| Net weight  | 49 lbs  |

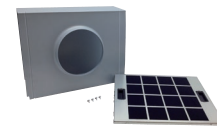
## Accessories – Optional



**HCPEXT5UC**  
Chimney extension for 9–11.5 ft. ceilings



**HCIFILTUC**  
Filter kit



**HCREC5UC**  
Recirculation kit



**Accessories:** To purchase Bosch accessories, cleaners & parts please visit [www.bosch-home.com/us/store](http://www.bosch-home.com/us/store) or call 1-800-944-2904 (Mon to Fri 5 am to 6 pm PST, Sat 6 am to 3 pm PST).

**Notes:** All height, width and depth dimensions are shown in inches. BSH reserves the absolute and unrestricted right to change product materials and specifications, at any time, without notice. Consult the product's installation instructions for final dimensional data and other details prior to making cutout.

**Warranties:** Please see Use & Care manual or Bosch website for statement of limited warranty.

**For more information on our entire line of products, go to [www.bosch-home.com/us](http://www.bosch-home.com/us) or call 1-800-944-2904**

© BSH Home Appliances Corporation. All rights reserved. Bosch is a registered trademark of Robert Bosch GmbH.

# 30" Pyramid Canopy Chimney Hood

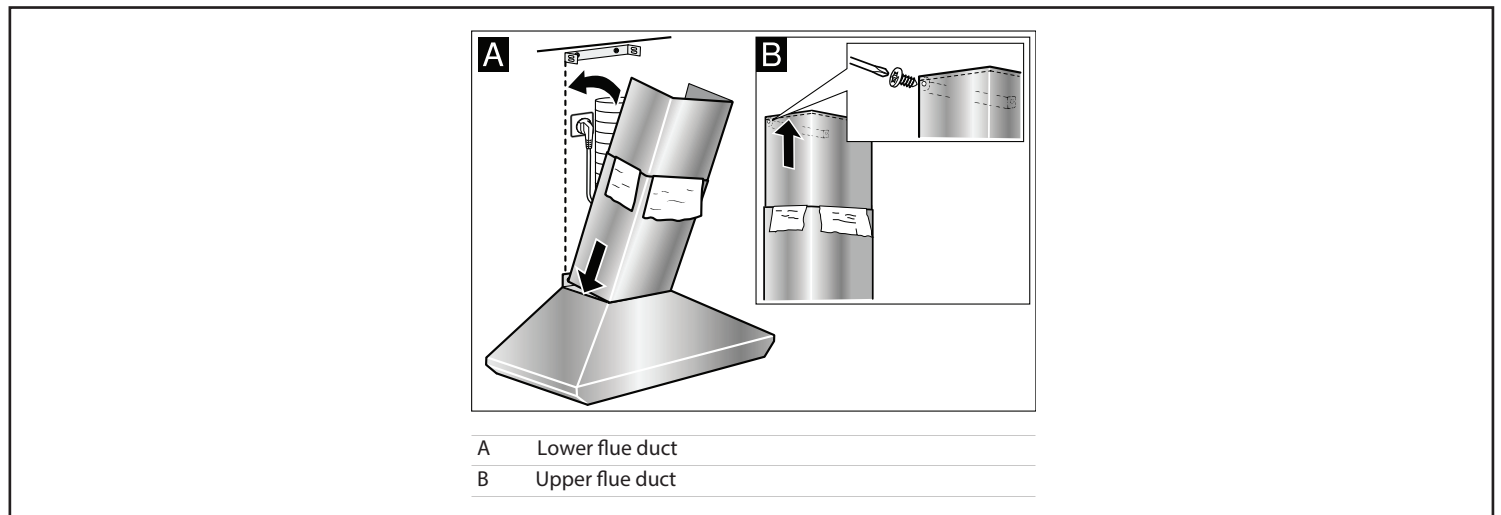
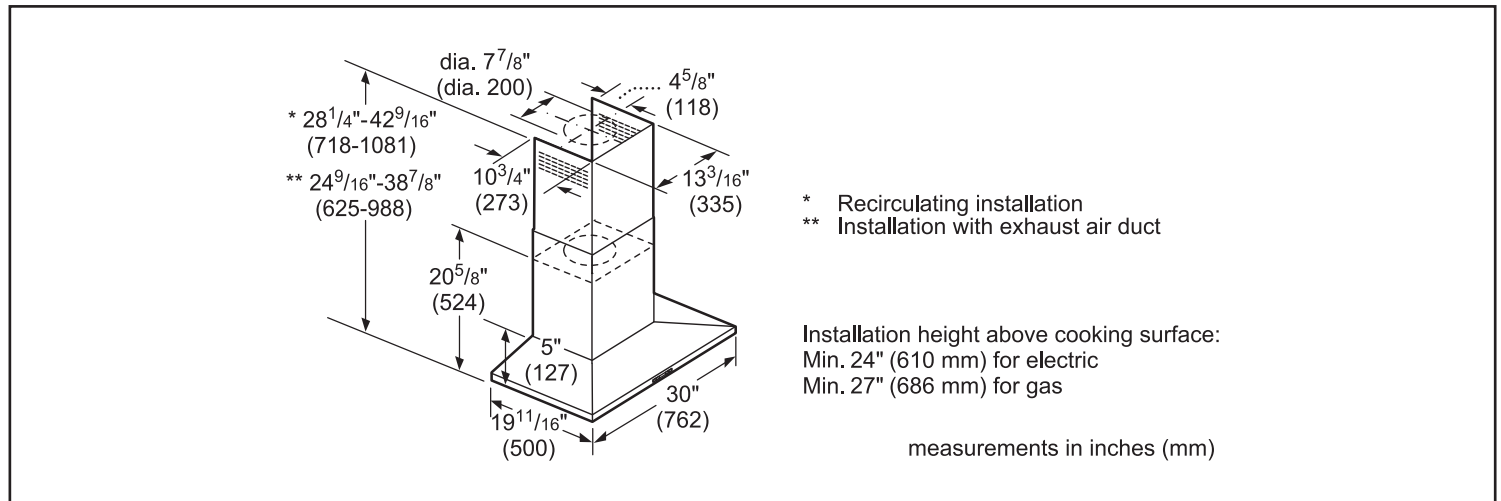
300 Series – Stainless Steel HCP30E52UC



## HVI Performance Values

| Exhaust  | Duct Size | Pressure (in. H2O) |               | Power (W)  |               | CFM        |               | Sones      |               |
|----------|-----------|--------------------|---------------|------------|---------------|------------|---------------|------------|---------------|
|          |           | High Speed         | Working Speed | High Speed | Working Speed | High Speed | Working Speed | High Speed | Working Speed |
| Vertical | 8"        | 0.1                | 0.1           | 161        | 33            | 310        | 120           | 5.5        | 1.3           |

## Installation Details



**Accessories:** To purchase Bosch accessories, cleaners & parts please visit [www.bosch-home.com/us/store](http://www.bosch-home.com/us/store) or call 1-800-944-2904 (Mon to Fri 5 am to 6 pm PST, Sat 6 am to 3 pm PST).

**Notes:** All height, width and depth dimensions are shown in inches. BSH reserves the absolute and unrestricted right to change product materials and specifications, at any time, without notice. Consult the product's installation instructions for final dimensional data and other details prior to making cutout.

**Warranties:** Please see Use & Care manual or Bosch website for statement of limited warranty.

**For more information on our entire line of products, go to [www.bosch-home.com/us](http://www.bosch-home.com/us) or call 1-800-944-2904**

© BSH Home Appliances Corporation. All rights reserved. Bosch is a registered trademark of Robert Bosch GmbH.