

30" Over-the-Range Convection Microwave

Benchmark™ Series – Stainless Steel HMVP053U



HMVP053U
Stainless Steel

The OTR microwave's convection cooking capability allows it to be used as a second oven.

Features & Benefits

Convection cooking delivers oven-like results.

Stainless steel cavity is durable and makes cleanup easier.

A multi-speed vent efficiently removes steam, smoke, grease and odors.

The OTR microwave is designed to install with a Bosch slide-in range or cooktop.

Triple distribution offers more even cooking.

General Properties

Cavity material	Stainless steel
Max. microwave power	1,000 W
Max. extraction rate	385 CFM
Ducted	Yes
Ductless	Yes
Duct size	3 1/4" x 10"

Capacity

Cavity capacity	1.8 cu. ft.
Turntable diameter	14 3/16"

Technical Details

Watts	1,450 W
Circuit breaker	15 A
Volts	120 V
Frequency	60 Hz
Power cord length	40"
Plug type	120V-3 prong

Dimensions & Weight

Overall appliance dimensions (HxWxD)	17 1/2" x 29 7/8" x 15 7/8"
Required cutout size (HxWxD)	30" x 30" x 12"-14"
Net weight	73 lbs

Accessories—Included

Included	Two level cooking rack
----------	------------------------



Accessories: To purchase Bosch accessories, cleaners & parts please visit www.bosch-home.com/us/store or call 1-800-944-2904 (Mon to Fri 5 am to 6 pm PST, Sat 6 am to 3 pm PST).

Notes: All height, width and depth dimensions are shown in inches. BSH reserves the absolute and unrestricted right to change product materials and specifications, at any time, without notice. Consult the product's installation instructions for final dimensional data and other details prior to making cutout.

Warranties: Please see Use & Care manual or Bosch website for statement of limited warranty.

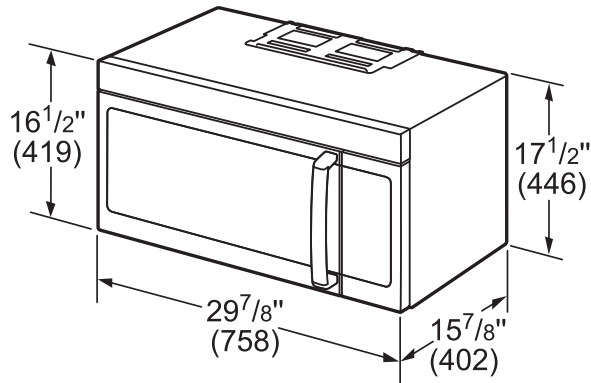
For more information on our entire line of products, go to www.bosch-home.com/us or call 1-800-944-2904

© BSH Home Appliances Corporation. All rights reserved. Bosch is a registered trademark of Robert Bosch GmbH.

30" Over-the-Range Convection Microwave

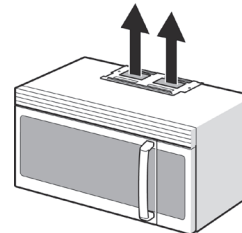
Benchmark™ Series – Stainless Steel HMVP053U

Installation Details

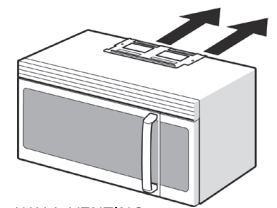


measurements in inches (mm)

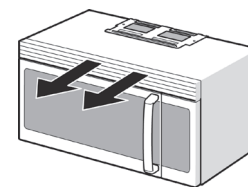
Venting Options



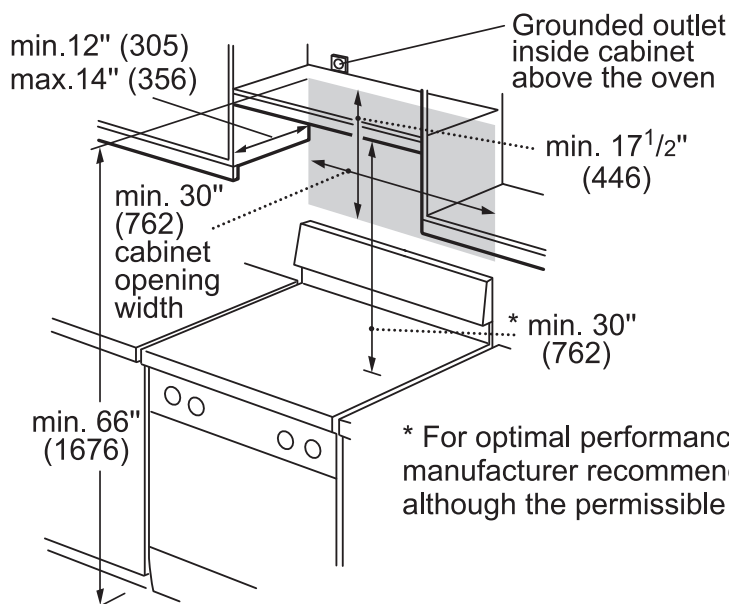
ROOF VENTING



WALL VENTING



ROOM VENTING



* For optimal performance and reliability, the manufacturer recommends a clearance of 33"–36", although the permissible clearance must be at least 30".

measurements in inches (mm)

Accessories: To purchase Bosch accessories, cleaners & parts please visit www.bosch-home.com/us/store or call 1-800-944-2904 (Mon to Fri 5 am to 6 pm PST, Sat 6 am to 3 pm PST).

Notes: All height, width and depth dimensions are shown in inches. BSH reserves the absolute and unrestricted right to change product materials and specifications, at any time, without notice. Consult the product's installation instructions for final dimensional data and other details prior to making cutout.

Warranties: Please see Use & Care manual or Bosch website for statement of limited warranty.

For more information on our entire line of products, go to www.bosch-home.com/us or call 1-800-944-2904

© BSH Home Appliances Corporation. All rights reserved. Bosch is a registered trademark of Robert Bosch GmbH.