

30" Induction Slide-in Range

Benchmark® Series – Stainless Steel HIIP057U



HIIP057U
Stainless Steel

The full-depth induction slide-in range combines FlexInduction® technology with an oven featuring a QuietClose® door.

Features & Benefits

FlexInduction® combines two cooking zones into one surface for larger pans.

Induction cooking is faster and more efficient than gas and electric.

Dampened hinges softly and quietly guide the QuietClose® door shut.

The warming drawer keeps your meals warm and ready to serve.

The EasyGlide™ telescopic rack provides a smooth glide for heavy dishes.

Convection Pro combines a third heating element with a back fan for even browning and time savings by using multiple racks at one time.

General Properties

| | |
|---------------|--|
| Cooking modes | Bake, Variable Broil (hi & low), Roast, Warm, Proof Dough, Convection Bake, Convection Broil, Convection Roast, Convection Multi-Rack, Convection Conversion, Pizza, Fast Preheat, Sabbath |
|---------------|--|

| | |
|-----------------|----------------|
| Cleaning type | Self Clean |
| Interior lights | 2 |
| Kitchen timer | Yes |
| Drawer type | Warming Drawer |

Oven Performance

| | |
|----------------------------|-----------------|
| Bake / broil element watts | 2,400 / 3,800 W |
| Convection element watts | 2,000 W |

Element Performance

| | |
|------------------------------------|--------------------------|
| Total cooktop elements | 4 |
| Power of front left element watts | 2,200 W (3,600 w/ boost) |
| Power of back left element watts | 2,200 W (3,600 w/ boost) |
| Power of back right element watts | 2,600 W (3,700 w/ boost) |
| Power of front right element watts | 1,400 W (2,200 w/ boost) |

Element Size

| | |
|--|----------|
| Dimension of FlexInduction® zone | 16" x 9" |
| Dimension of front left heating element | 8" x 9" |
| Dimension of back left heating element | 8" x 9" |
| Dimension of back right heating element | 11" |
| Dimension of front right heating element | 6" |

Technical Details

| | |
|-------------------------|----------------------------|
| Watts | 11,700 / 14,000 W |
| Circuit breaker | 40 A |
| Volts | 208 V / 240 V |
| Frequency | 60 Hz |
| Plug type / Cord length | Fixed connection (no plug) |
| Energy source | Electric |

Dimensions & Weight

| | |
|--|---------------------------------|
| Overall appliance dimensions (HxWxD) | 36 1/2"–38" x 31 1/2" x 28 7/8" |
| Required cutout size (HxWxD) | 35 1/2"–37" x 30" x 25" |
| Adjustable range height | 1 1/2" |
| Oven cavity size | 4.6 cu. ft. |
| Overall oven interior dimensions (HxWxD) | 17 13/16" x 24 1/8" x 18" |
| Usable oven interior dimensions (HxWxD) | 12 5/16" x 23 1/4" x 15 1/4" |
| Net weight | 239 lbs |

Accessories—Included

Use and care manual, installation guide, temperature probe, 2 standard racks, 1 telescopic rack

Accessories—Optional



HEZTR301
30" Telescopic rack



HEZBS301
4" Low backguard (stainless steel)



HEZ390210
8" AutoChef® pan for 6" element



HEZ390220
9" AutoChef® pan for 7" element



HEZ390230
10" AutoChef® pan for 8" and 9" elements



Accessories: To purchase Bosch accessories, cleaners & parts please visit www.bosch-home.com/us/store or call 1-800-944-2904 (Mon to Fri 5 am to 6 pm PST, Sat 6 am to 3 pm PST).

Notes: All height, width and depth dimensions are shown in inches. BSH reserves the absolute and unrestricted right to change product materials and specifications, at any time, without notice. Consult the product's installation instructions for final dimensional data and other details prior to making cutout.

Warranties: Please see Use & Care manual or Bosch website for statement of limited warranty.

For more information on our entire line of products, go to www.bosch-home.com/us or call 1-800-944-2904

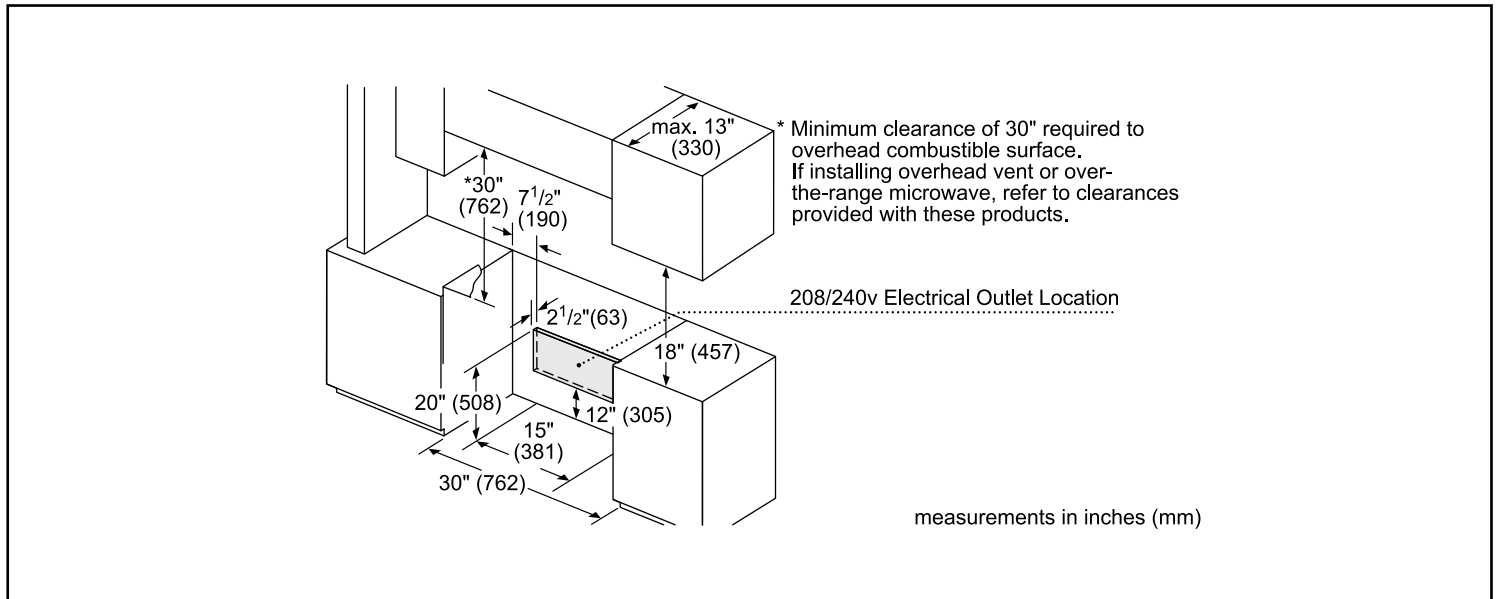
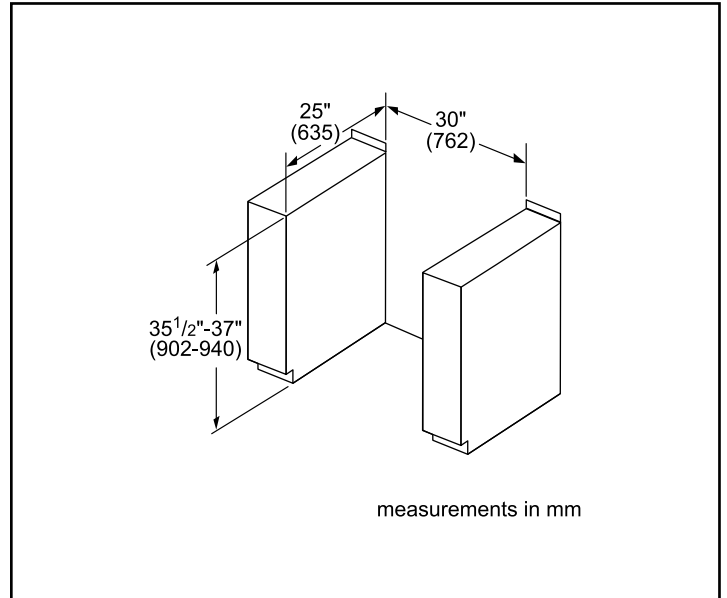
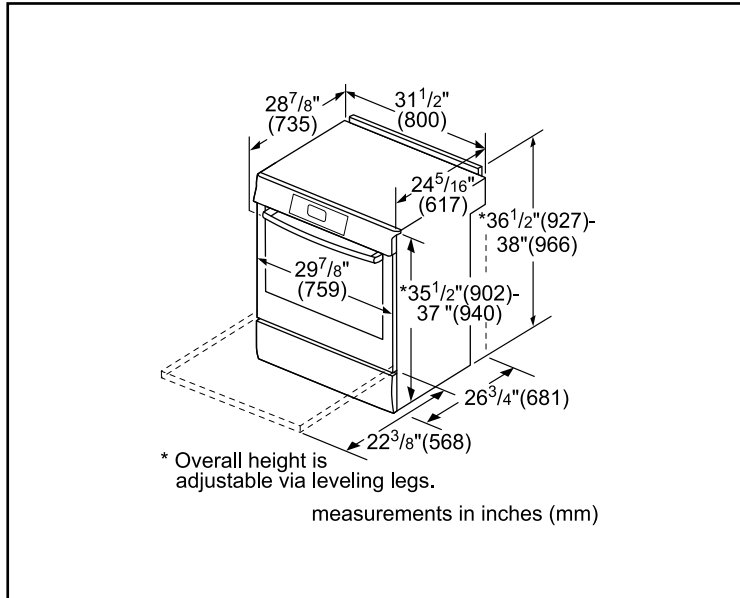
© BSH Home Appliances Corporation. All rights reserved. Bosch is a registered trademark of Robert Bosch GmbH.

30" Induction Slide-in Range

Benchmark® Series – Stainless Steel HIIP057U



Installation Details



Accessories: To purchase Bosch accessories, cleaners & parts please visit www.bosch-home.com/us/store or call 1-800-944-2904 (Mon to Fri 5 am to 6 pm PST, Sat 6 am to 3 pm PST).

Notes: All height, width and depth dimensions are shown in inches. BSH reserves the absolute and unrestricted right to change product materials and specifications, at any time, without notice. Consult the product's installation instructions for final dimensional data and other details prior to making cutout.

Warranties: Please see Use & Care manual or Bosch website for statement of limited warranty.

For more information on our entire line of products, go to www.bosch-home.com/us or call 1-800-944-2904

© BSH Home Appliances Corporation. All rights reserved. Bosch is a registered trademark of Robert Bosch GmbH.