

18" Recessed Handle ADA-compliant Dishwasher



300 Series – Black SPE53B56UC



SPE53B56UC
Black

Also available in:

Stainless Steel SPE53B55UC

White SPE53B52UC

The 18" wide dishwasher perfectly fits in compact spaces.

Features & Benefits

46 dBA: dishwasher runs quietly so your kitchen conversations aren't interrupted.

Get hands-free voice operation with Amazon Alexa or Hey Google, smart reordering of detergent tabs via the Amazon Alexa app, plus so much more—all with the Home Connect™ app on your smartphone.

3rd rack provides the perfect space for silverware and large utensils while its V shape leaves room below for taller items.

The Favorite button allows you to easily access your preferred cycle/option combination with 1 touch.

AquaStop Plus® detects leaks with a dual sensor system, and then contains them for premium protection.

General Properties

| | |
|---------------------------------|--|
| Number of wash cycles | 5 |
| Number of options | 5 |
| Special Program | Machine Care |
| dBA | 46 |
| Drying system | PureDry |
| Third rack | Yes |
| Rack adjustability | RackMatic® |
| Tub material | Stainless steel |
| Control type | Buttons |
| Concealed water heating element | Yes |
| Leak protection system | 24/7 AquaStop® Plus |
| Water softener | No |
| Five-level wash | Yes |
| ChildLock | Yes |
| Home Connect™ (Wi-Fi enabled) | Yes |
| Special features | 24h delay start timer, Favorite button |

Efficiency

| | |
|---------------------------------------|-----|
| Water usage per cycle | 3.5 |
| ENERGY STAR® certified | No |
| Total annual energy consumption (kWh) | 269 |
| Total annual water consumption (g) | 574 |

Capacity

| | |
|--------------------------|----|
| Number of place settings | 10 |
|--------------------------|----|

Technical Details

| | |
|---|---------------------------|
| Watts (W) | 1440 W |
| Current (A) | 12 Amps |
| Volts (V) | 120 V |
| Frequency (Hz) | 60 Hz |
| Power cord full length | 67" |
| Power cord install length from edge of unit when facing the door (in) | Left – 51" Right – 51" |
| Minimum water pressure (lb/sin) | 7 |
| Length inlet hose (in) | 65" |
| Length outlet hose (in) | 80 5/8" |

Dimensions & Weight

| | |
|---|-------------------------------|
| Overall appliance dimensions (HxWxD) (in) | 32 1/16" x 17 5/8" x 22 9/16" |
| Required cutout size (HxWxD) (in) | 32 1/8" x 17 3/4" x 24" |
| Adjustable feet | Yes |
| Net weight (lbs) | 72 lbs |

Accessories—Optional

| | |
|--|------------|
| Junction Box | SMZPCJB1UC |
| Dishwasher Drain Hose Extension 76 3/4" | SGZ1010UC |
| Accessory Kit | SMZ5000 |
| Hinge for 4" Toekick Height Installation | SMZ5003 |
| Edge Protector + Power Cord Clip Install Kit | SMZEPCC1UC |



Accessories: To purchase Bosch accessories, cleaners & parts please visit www.bosch-home.com/us/store or call 1-800-944-2904 (Mon to Fri 5 am to 6 pm PST, Sat 6 am to 3 pm PST).

Notes: All height, width and depth dimensions are shown in inches. BSH reserves the absolute and unrestricted right to change product materials and specifications, at any time, without notice. Consult the product's installation instructions for final dimensional data and other details prior to making cutout.

Warranties: Please see Use & Care manual or Bosch website for statement of limited warranty.

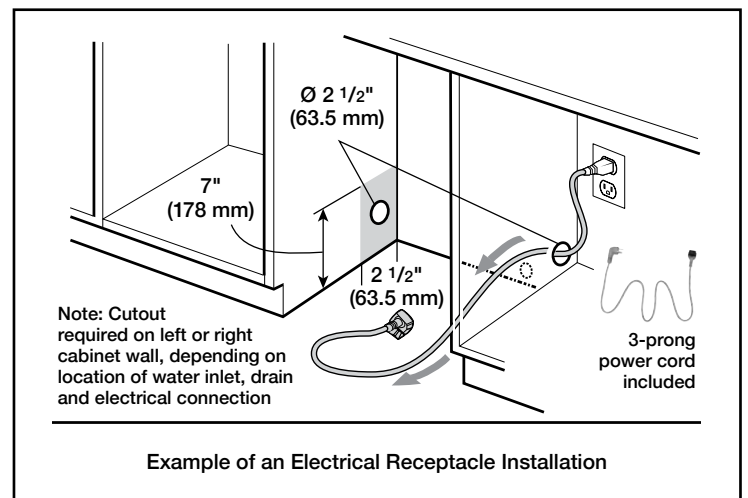
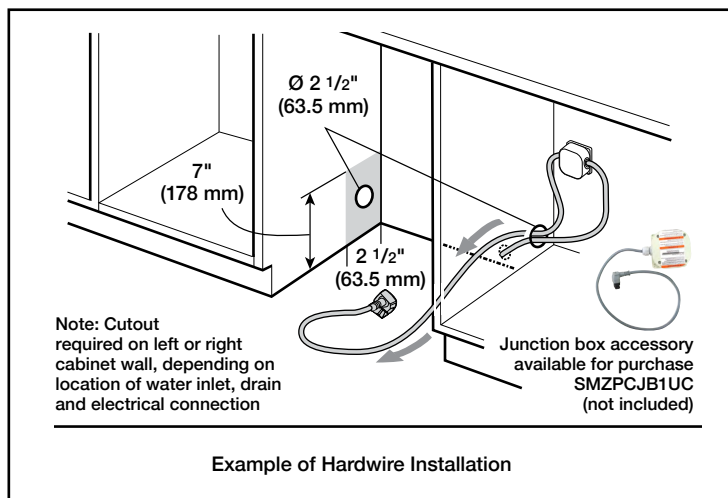
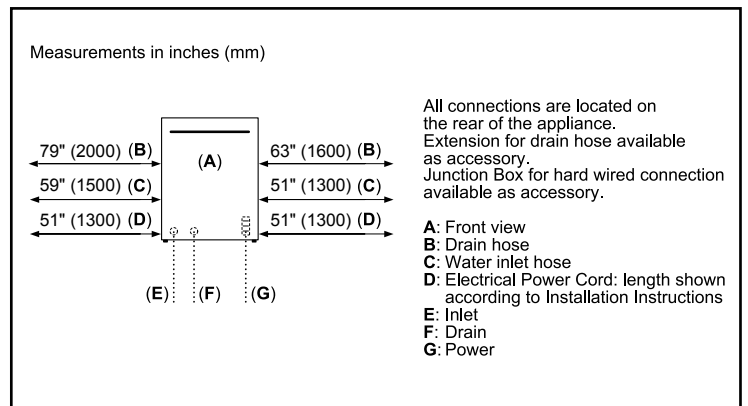
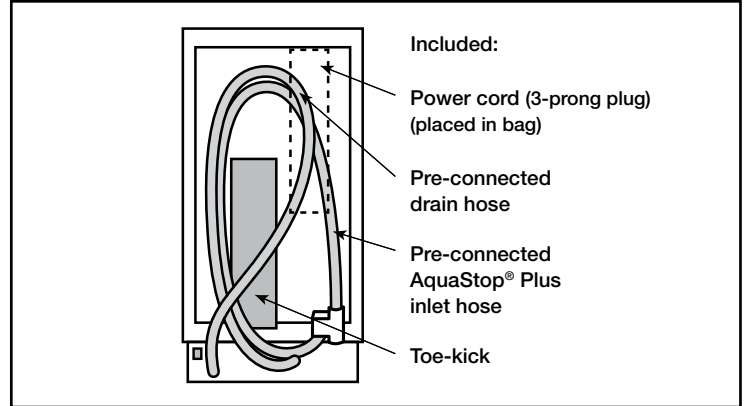
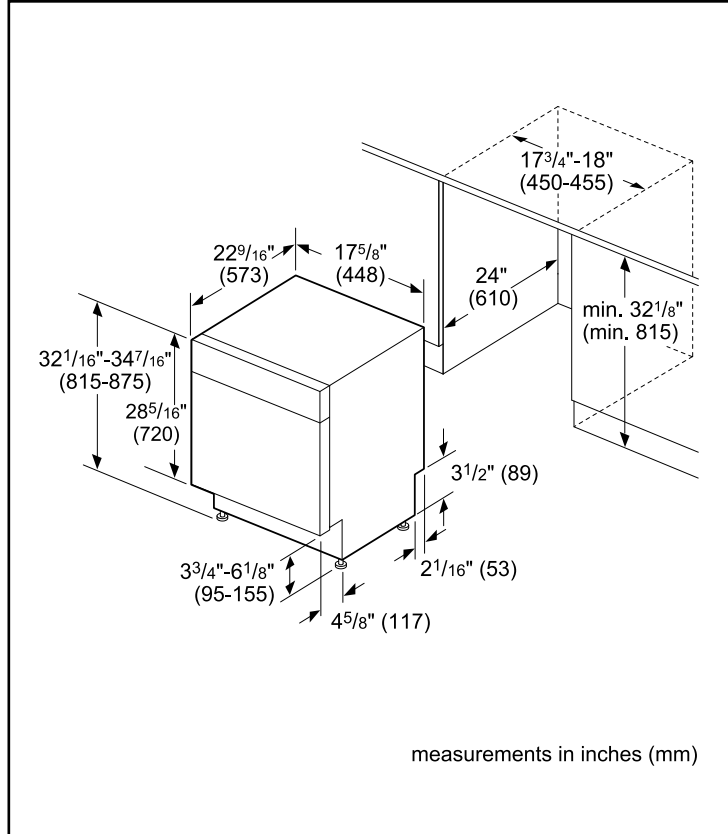
For more information on our entire line of products, go to www.bosch-home.com/us or call 1-800-944-2904

© BSH Home Appliances Corporation. All rights reserved. Bosch is a registered trademark of Robert Bosch GmbH.

18" Recessed Handle ADA-compliant Dishwasher

300 Series – Black SPE53B56UC

Installation Details



Accessories: To purchase Bosch accessories, cleaners & parts please visit www.bosch-home.com/us/store or call 1-800-944-2904 (Mon to Fri 5 am to 6 pm PST, Sat 6 am to 3 pm PST).

Notes: All height, width and depth dimensions are shown in inches. BSH reserves the absolute and unrestricted right to change product materials and specifications, at any time, without notice. Consult the product's installation instructions for final dimensional data and other details prior to making cutout.

Warranties: Please see Use & Care manual or Bosch website for statement of limited warranty.

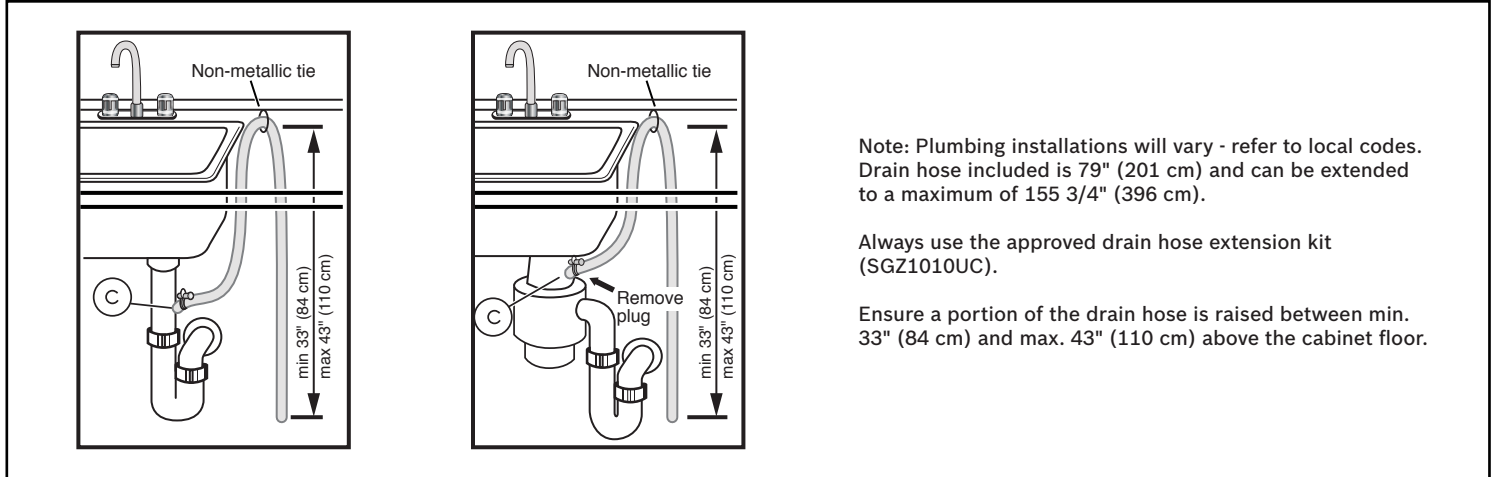
For more information on our entire line of products, go to www.bosch-home.com/us or call 1-800-944-2904

© BSH Home Appliances Corporation. All rights reserved. Bosch is a registered trademark of Robert Bosch GmbH.

18" Recessed Handle ADA-compliant Dishwasher

300 Series – Black SPE53B56UC

Installation Details



Accessories: To purchase Bosch accessories, cleaners & parts please visit www.bosch-home.com/us/store or call 1-800-944-2904 (Mon to Fri 5 am to 6 pm PST, Sat 6 am to 3 pm PST).

Notes: All height, width and depth dimensions are shown in inches. BSH reserves the absolute and unrestricted right to change product materials and specifications, at any time, without notice. Consult the product's installation instructions for final dimensional data and other details prior to making cutout.

Warranties: Please see Use & Care manual or Bosch website for statement of limited warranty.

For more information on our entire line of products, go to www.bosch-home.com/us or call 1-800-944-2904

© BSH Home Appliances Corporation. All rights reserved. Bosch is a registered trademark of Robert Bosch GmbH.