

30" Gas Slide-in Range

800 Series – Stainless Steel HGI8056UC



HGI8056UC
Stainless Steel

Also available in:

Black HGI8046UC
Stainless Steel

The full-depth gas slide-in range fits into any freestanding range cutout, and features five burners to cook more dishes at once.

Features & Benefits

The Bosch slide-in range fits in any freestanding range cutout.

Powerful 18,000 BTU center burner speeds cooking time.

At 4.8 cu. ft., a large oven capacity accommodates most pots and pans.

Heavy-duty metal knobs for a premium look and feel.

The warming drawer keeps everything you cook warm and ready to serve.

General Properties

Cooking modes	Bake, Variable Broil (hi & low), Roast, Warm, Proof Dough, Convection Bake, Convection Roast, Convection Conversion, Pizza, Sabbath
Cleaning type	Self clean
Type of grate	Cast iron
Knob material	Metal
Interior light	1
Kitchen timer	Yes
Drawer type	Warming drawer
Sealed burners	Yes

Oven Performance

Bake / broil burner power BTU	18,000 / 12,500 BTU
Convection element watts (W)	N/A

Burner Performance

Total cooktop burners	5
Total cooktop (NG / LP) BTU	53,000 / 46,500
Power of front left burner (NG / LP) BTU	10,000 / 8,000
Power of back left burner (NG / LP) BTU	5,000 / 5,000
Power of center burner (NG / LP) BTU	18,000 / 15,000
Power of back right burner (NG / LP) BTU	5,000 / 5,000
Power of front right burner (NG / LP) BTU	15,000 / 13,500

Technical Details

Circuit breaker (A)	15 A
Volts (V)	120 V
Frequency (Hz)	60 Hz

Technical Details (continued)

Plug type	US 3-prong
Cord length (in.)	78"
Energy source	Gas
Gas type	Natural gas 15 mbar (USA)
Alternative gas type	LP 27.5 mbar (USA)

Dimensions & Weight

Overall appliance dimensions (HxWxD)(in.)	36 1/2"–38" x 31 1/2" x 29 3/16"
Required cutout size (HxWxD)(in.)	35 1/2"–37" x 30" x 25 1/4"
Adjustable range height (in.)	1 1/2"
Oven cavity size (cu. ft.)	4.8
Overall oven interior dimensions (HxWxD)(in.)	17 13/16" x 24 1/8" x 18"
Usable oven interior dimensions (HxWxD)(in.)	11 1/2" x 23 1/4" x 15 1/4"
Net weight (lbs)	228 lbs

Accessories—Included

Use and care manual, installation guide, LP conversion kit, 3 standard racks

Accessories—Optional



HEZTR301
30" Telescopic rack



HEZGR301
Griddle



HEZ298102
Wok ring



HGZBS301
4" Low backguard (stainless steel)



HGZIT301
Island Trim (stainless steel)



Accessories: To purchase Bosch accessories, cleaners & parts please visit www.bosch-home.com/us/store or call 1-800-944-2904 (Mon to Fri 5 am to 6 pm PST, Sat 6 am to 3 pm PST).

Notes: All height, width and depth dimensions are shown in inches. BSH reserves the absolute and unrestricted right to change product materials and specifications, at any time, without notice. Consult the product's installation instructions for final dimensional data and other details prior to making cutout.

Warranties: Please see Use & Care manual or Bosch website for statement of limited warranty.

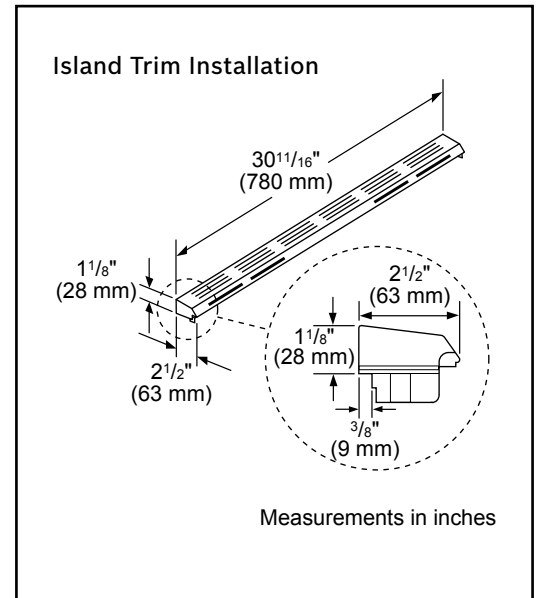
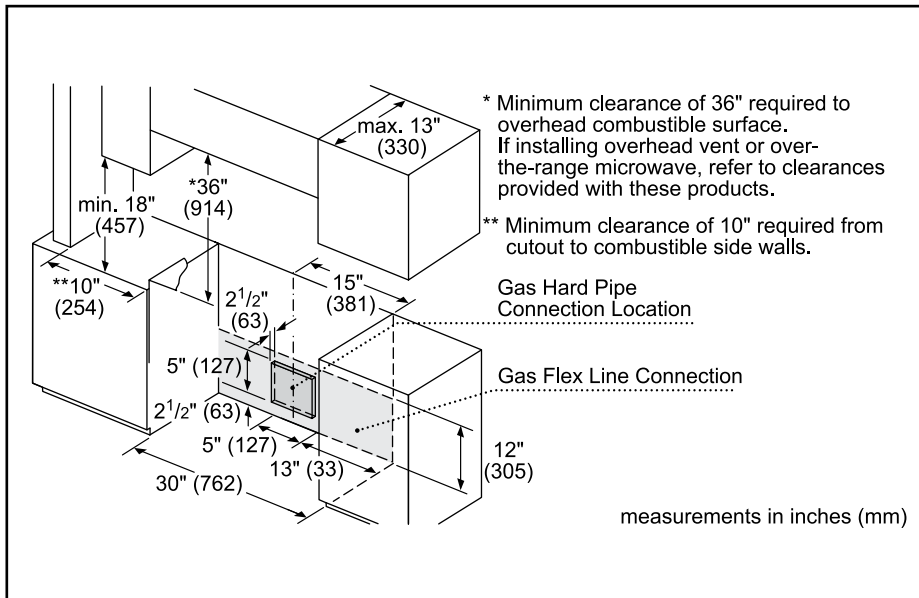
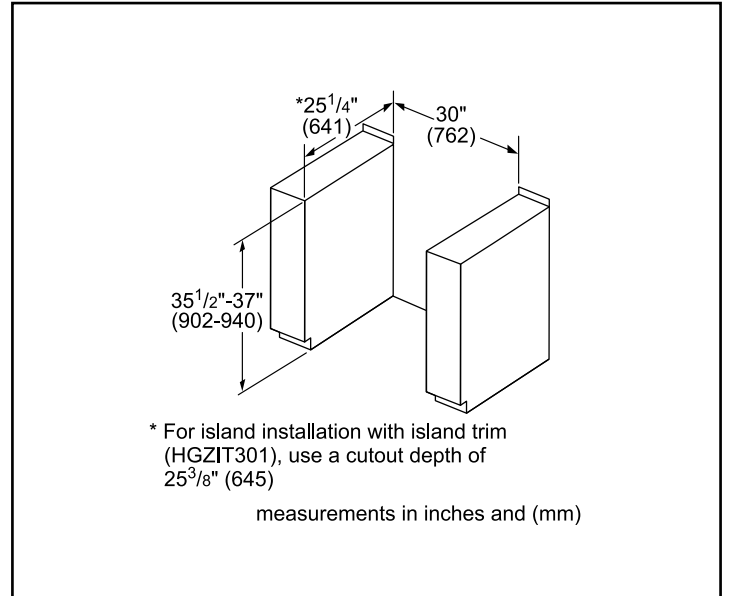
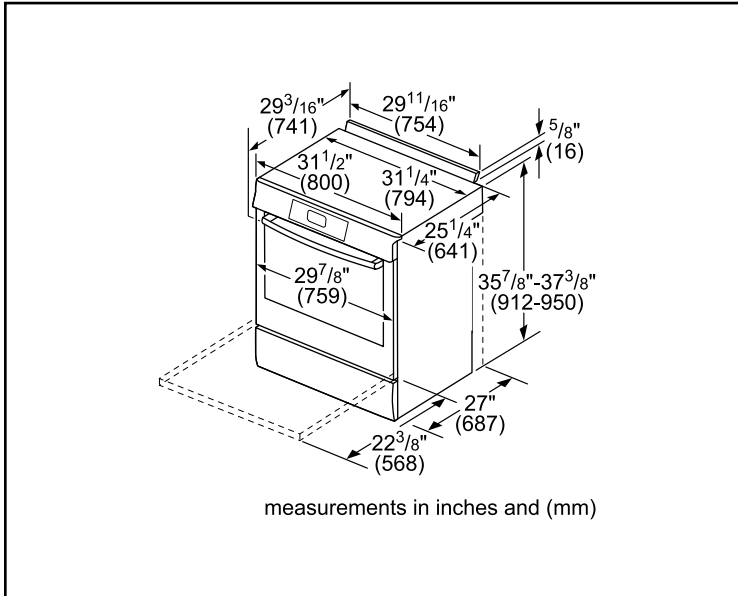
For more information on our entire line of products, go to www.bosch-home.com/us or call 1-800-944-2904

© BSH Home Appliances Corporation. All rights reserved. Bosch is a registered trademark of Robert Bosch GmbH.

30" Gas Slide-in Range

800 Series – Stainless Steel HG18056UC

Installation Details



Accessories: To purchase Bosch accessories, cleaners & parts please visit www.bosch-home.com/us/store or call 1-800-944-2904 (Mon to Fri 5 am to 6 pm PST, Sat 6 am to 3 pm PST).

Notes: All height, width and depth dimensions are shown in inches. BSH reserves the absolute and unrestricted right to change product materials and specifications, at any time, without notice. Consult the product's installation instructions for final dimensional data and other details prior to making cutout.

Warranties: Please see Use & Care manual or Bosch website for statement of limited warranty.

For more information on our entire line of products, go to www.bosch-home.com/us or call 1-800-944-2904

© BSH Home Appliances Corporation. All rights reserved. Bosch is a registered trademark of Robert Bosch GmbH.