

30" Dual Fuel Slide-in Range

800 Series – Stainless Steel HDI8056U



HDI8056U
Stainless Steel

The full-depth dual fuel slide-in range fits into any freestanding range cutout, and features five burners to cook more dishes at once.

Features & Benefits

The Bosch slide-in range fits in any freestanding range cutout.

Powerful 18,000 BTU center burner speeds cooking time.

At 4.6 cu. ft., a large oven capacity accommodates most pots and pans.

Convection Pro combines a third heating element with a back fan for even browning and time savings by using multiple racks at one time.

The warming drawer keeps everything you cook warm and ready to serve.

General Properties

| | |
|----------------|--|
| Cooking modes | Bake, Variable Broil (hi & low), Roast, Warm, Proof Dough, Convection Bake, Convection Broil, Convection Roast, Convection Multi-Rack, Convection Conversion, Pizza, Fast Preheat, Sabbath |
| Cleaning type | Self clean |
| Type of grate | Cast iron |
| Knob material | Metal |
| Interior light | 1 |
| Kitchen timer | Yes |
| Drawer type | Warming drawer |
| Sealed burners | Yes |

| | |
|----------------|----------------|
| Cleaning type | Self clean |
| Type of grate | Cast iron |
| Knob material | Metal |
| Interior light | 1 |
| Kitchen timer | Yes |
| Drawer type | Warming drawer |
| Sealed burners | Yes |

Oven Performance

| | |
|--------------------------------|-----------------|
| Bake / broil element watts (W) | 2,400 / 3,800 W |
| Convection element watts (W) | 2,000 W |

Burner Performance

| | |
|---|-----------------|
| Total cooktop burners | 5 |
| Total cooktop (NG / LP) BTU | 53,000 / 44,000 |
| Power of front left burner (NG / LP) BTU | 10,000 / 8,000 |
| Power of back left burner (NG / LP) BTU | 5,000 / 5,000 |
| Power of center burner (NG / LP) BTU | 18,000 / 12,500 |
| Power of back right burner (NG / LP) BTU | 5,000 / 5,000 |
| Power of front right burner (NG / LP) BTU | 15,000 / 13,500 |

Technical Details

| | |
|---------------------|-----------------|
| Watts (W) | 4,800 / 6,400 W |
| Circuit breaker (A) | 30 A |

| | |
|-------------------------|----------------------------|
| Volts (V) | 208 V / 240 V |
| Frequency (Hz) | 60 Hz |
| Plug type / Cord length | Fixed connection (no plug) |
| Energy source | Mixed Electric / Gas |
| Gas type | Natural gas 15 mbar (USA) |
| Alternative gas type | LP 27.5 mbar (USA) |

Dimensions & Weight

| | |
|---|---------------------------------|
| Overall appliance dimensions (HxWxD)(in.) | 36 1/2"-38" x 31 1/2" x 28 7/8" |
| Required cutout size (HxWxD)(in.) | 35 1/2"-37" x 30" x 25" |
| Adjustable range height (in.) | 1 1/2" |
| Oven cavity size (cu. ft.) | 4.6 |
| Overall oven interior dimensions (HxWxD)(in.) | 17 13/16" x 24 1/8" x 18" |
| Usable oven interior dimensions (HxWxD)(in.) | 12 5/16" x 23 1/4" x 15 1/4" |
| Net weight (lbs) | 227 lbs |

Accessories—Included

Use and care manual, installation guide, temperature probe, LP conversion kit, 3 standard racks

Accessories—Optional



HEZTR301
30" Telescopic rack



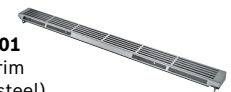
HEZGR301
Griddle



HEZ298102
Wok ring



HDZBS301
4" Low backguard (stainless steel)



HDZIT301
Island Trim (stainless steel)



Accessories: To purchase Bosch accessories, cleaners & parts please visit www.bosch-home.com/us/store or call 1-800-944-2904 (Mon to Fri 5 am to 6 pm PST, Sat 6 am to 3 pm PST).

Notes: All height, width and depth dimensions are shown in inches. BSH reserves the absolute and unrestricted right to change product materials and specifications, at any time, without notice. Consult the product's installation instructions for final dimensional data and other details prior to making cutout.

Warranties: Please see Use & Care manual or Bosch website for statement of limited warranty.

For more information on our entire line of products, go to www.bosch-home.com/us or call 1-800-944-2904

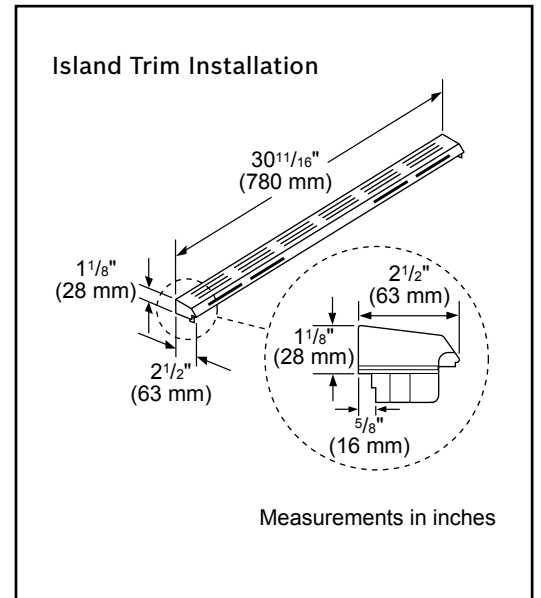
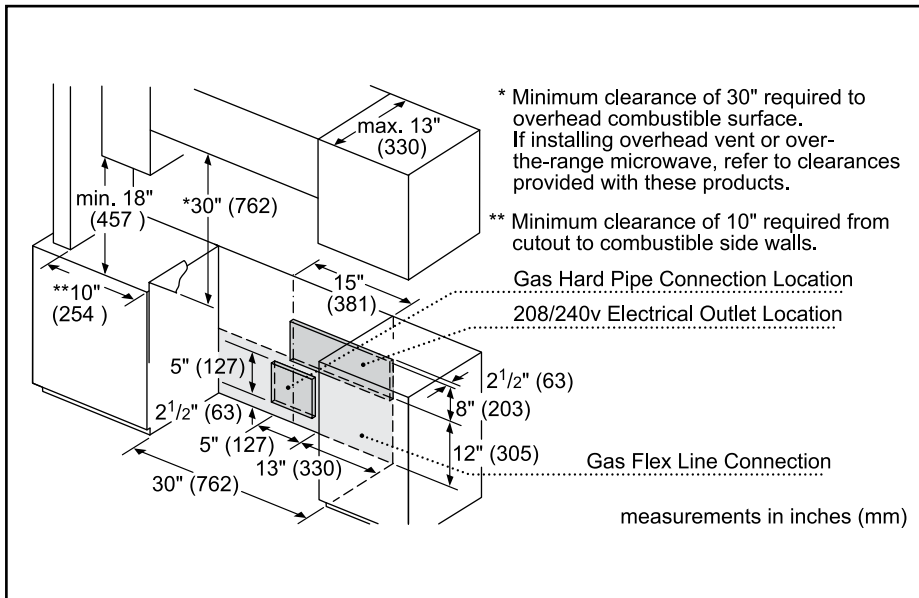
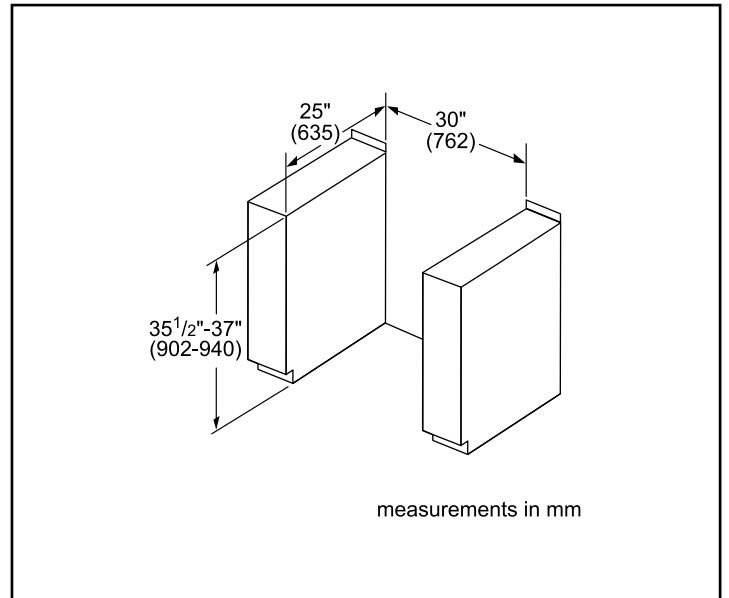
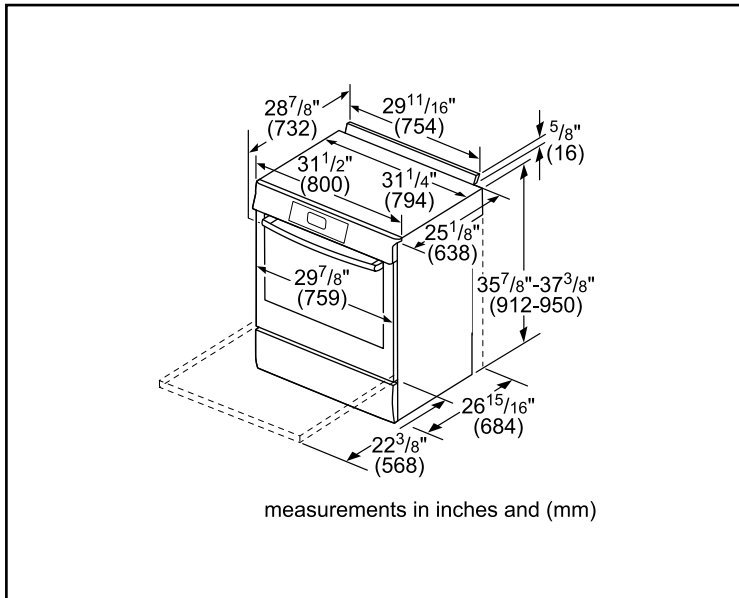
© BSH Home Appliances Corporation. All rights reserved. Bosch is a registered trademark of Robert Bosch GmbH.

30" Dual Fuel Slide-in Range

800 Series – Stainless Steel HDI8056U



Installation Details



Accessories: To purchase Bosch accessories, cleaners & parts please visit www.bosch-home.com/us/store or call 1-800-944-2904 (Mon to Fri 5 am to 6 pm PST, Sat 6 am to 3 pm PST).

Notes: All height, width and depth dimensions are shown in inches. BSH reserves the absolute and unrestricted right to change product materials and specifications, at any time, without notice. Consult the product's installation instructions for final dimensional data and other details prior to making cutout.

Warranties: Please see Use & Care manual or Bosch website for statement of limited warranty.

For more information on our entire line of products, go to www.bosch-home.com/us or call 1-800-944-2904

© BSH Home Appliances Corporation. All rights reserved. Bosch is a registered trademark of Robert Bosch GmbH.