

30" Steam Convection Combination Oven

Benchmark® Series – Stainless Steel HSLP751UC



BOSCH
Invented for life



HSLP751UC
Stainless Steel

The steam convection combination oven allows for great results and features an oven with a QuietClose® door.

Features & Benefits

The steam oven cooks meats, vegetables, rice and fish to perfection.

Dampened hinges softly and quietly guide the QuietClose® door shut.

The color TFT control panel with SteelTouch® buttons is easy to use.

Convection Pro combines a third heating element with a back fan for even browning and time savings by using multiple racks at one time.

A full-extension telescopic rack offers safe access to the oven cavity.

The wall oven is designed to be installed flush with cabinetry.

General Properties

Oven modes – upper cavity: Steam, Steam Convection, Convection Multi-Rack, Reheat, Keep Warm, Defrost, Slow Cook, Proof, Dish Warming, 2 Chicken and 7 Vegetable Programs

Oven modes – lower cavity: Bake, Variable Broil (hi & low), Roast, Warm, Sabbath, Proof Dough, Convection Bake, Convection Broil, Convection Roast, Pizza, Convection Multi-Rack, Convection Conversion, AutoProbe, Fast Preheat, EcoChef, Speed Convection (Frozen Foods)

Cleaning type – lower: Self Clean

Telescopic rack: 1

Illumination type: Halogen (Upper and Lower)

Interior lights – upper / lower cavity: 1 / 2

Oven Performance

Bake / broil element – upper cavity: 1,960 W**

Bake / broil element – lower cavity: 2,400 / 3,800 W

Convection element – lower cavity: 1,960 W / 2,000 W

Technical Details

Watts: 8,325 W

Circuit breaker: 40 A

Volts; Frequency: 240 / 208 V; 60 Hz

Power cord length: 60"

Plug type: Fixed Connection, No Plug

Energy source: Electric

Installation Type: Non-plumbed



Dimensions & Weight

Overall appliance dimensions (HxWxD): 49" x 29 3/4" x 24 1/2"

Required cutout size – Standard (HxWxD): 48 5/8" x 28 1/2" x 23 1/2"

Required cutout size – Flush (HxWxD): 49 1/8" x 30" x 24 1/2"

Oven cavity size – upper: 1.4 cu. ft.

Oven cavity size – lower: 4.6 cu. ft.

Overall lower oven interior dimensions (HxWxD): 17 13/16" x 24 1/8" x 18"

Usable lower oven interior dimensions (HxWxD): 12 5/16" x 23 1/4" x 15 1/4"

Net weight: 219 lbs

Accessories—Included

Upper Oven: Wire rack, Perforated Cooking Pan – Full Size, Baking Tray, Perforated Cooking Pan – Half Size, Cooking Pan – Half Size Lower Oven: 1 Telescopic and 2 Standard Oven Racks, Temperature Probe, Broiler Pan

Accessories—Optional



11027159
Cooking pan – full size, 1 5/8" deep [not included with product]



00664949
Baking tray – full size, 1 1/8" deep



00577553
Perforated cooking pan – half size, 1 5/8" deep



00577552
Cooking pan – half size, 1 5/8" deep



HEZTR301
30" Telescopic Rack



00798845
30" Flat Rack



00449757
Broiler Pan

**Element below water reservoir that generates steam

Accessories: To purchase Bosch accessories, cleaners & parts please visit www.bosch-home.com/us/store or call 1-800-944-2904 (Mon to Fri 5 am to 6 pm PST, Sat 6 am to 3 pm PST).

Notes: All height, width and depth dimensions are shown in inches. BSH reserves the absolute and unrestricted right to change product materials and specifications, at any time, without notice. Consult the product's installation instructions for final dimensional data and other details prior to making cutout.

Warranties: Please see Use & Care manual or Bosch website for statement of limited warranty.

For more information on our entire line of products, go to www.bosch-home.com/us or call 1-800-944-2904

© BSH Home Appliances Corporation. All rights reserved. Bosch is a registered trademark of Robert Bosch GmbH.

30" Steam Convection Combination Oven

Benchmark® Series – Stainless Steel HSLP751UC

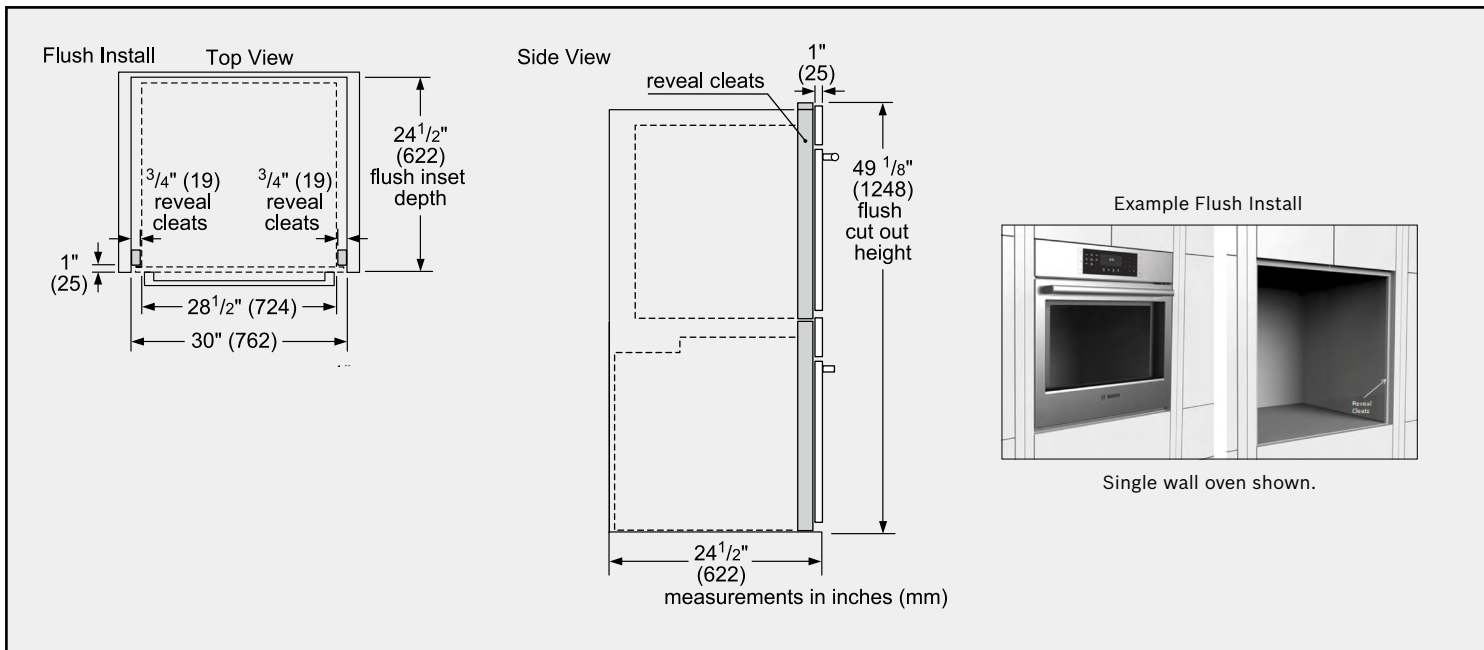
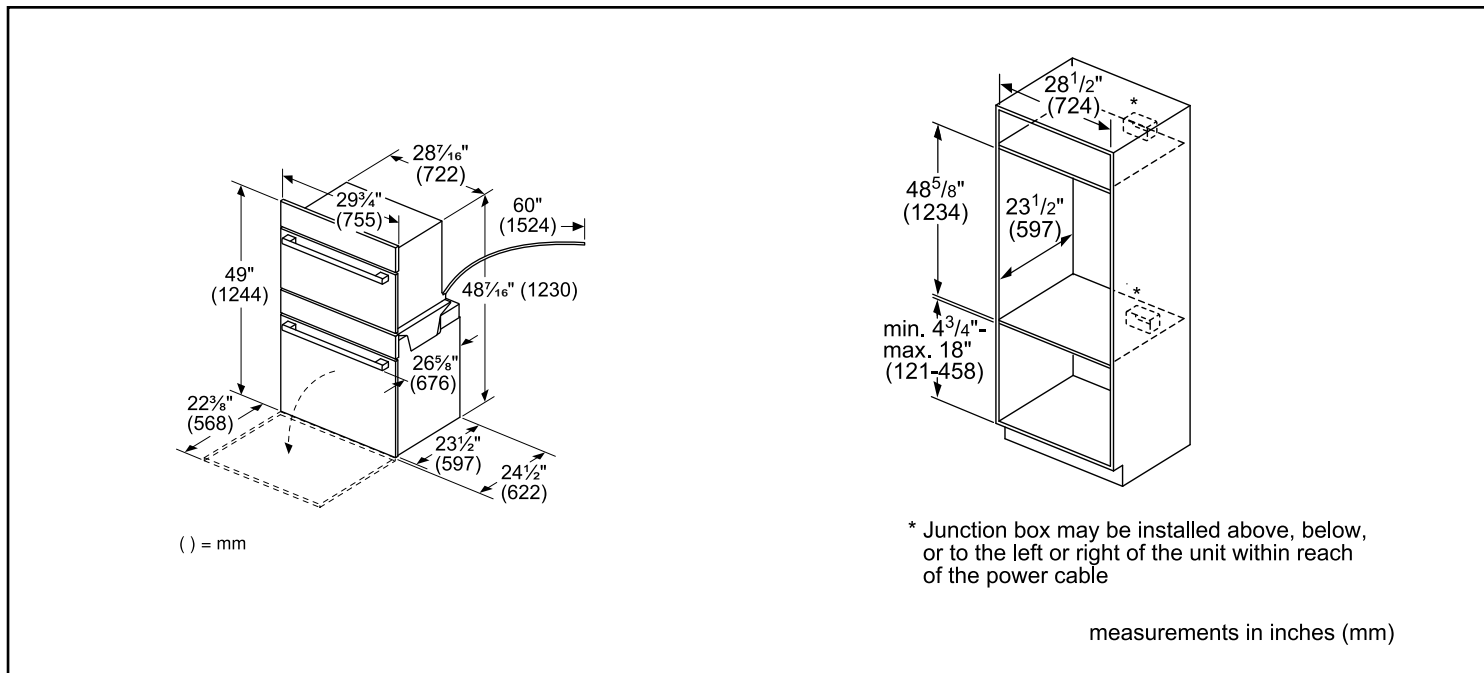


BOSCH

Invented for life



Installation Details



Accessories: To purchase Bosch accessories, cleaners & parts please visit www.bosch-home.com/us/store or call 1-800-944-2904 (Mon to Fri 5 am to 6 pm PST, Sat 6 am to 3 pm PST).

Notes: All height, width and depth dimensions are shown in inches. BSH reserves the absolute and unrestricted right to change product materials and specifications, at any time, without notice. Consult the product's installation instructions for final dimensional data and other details prior to making cutout.

Warranties: Please see Use & Care manual or Bosch website for statement of limited warranty.

For more information on our entire line of products, go to www.bosch-home.com/us or call 1-800-944-2904

© BSH Home Appliances Corporation. All rights reserved. Bosch is a registered trademark of Robert Bosch GmbH.

30" Steam Convection Combination Oven

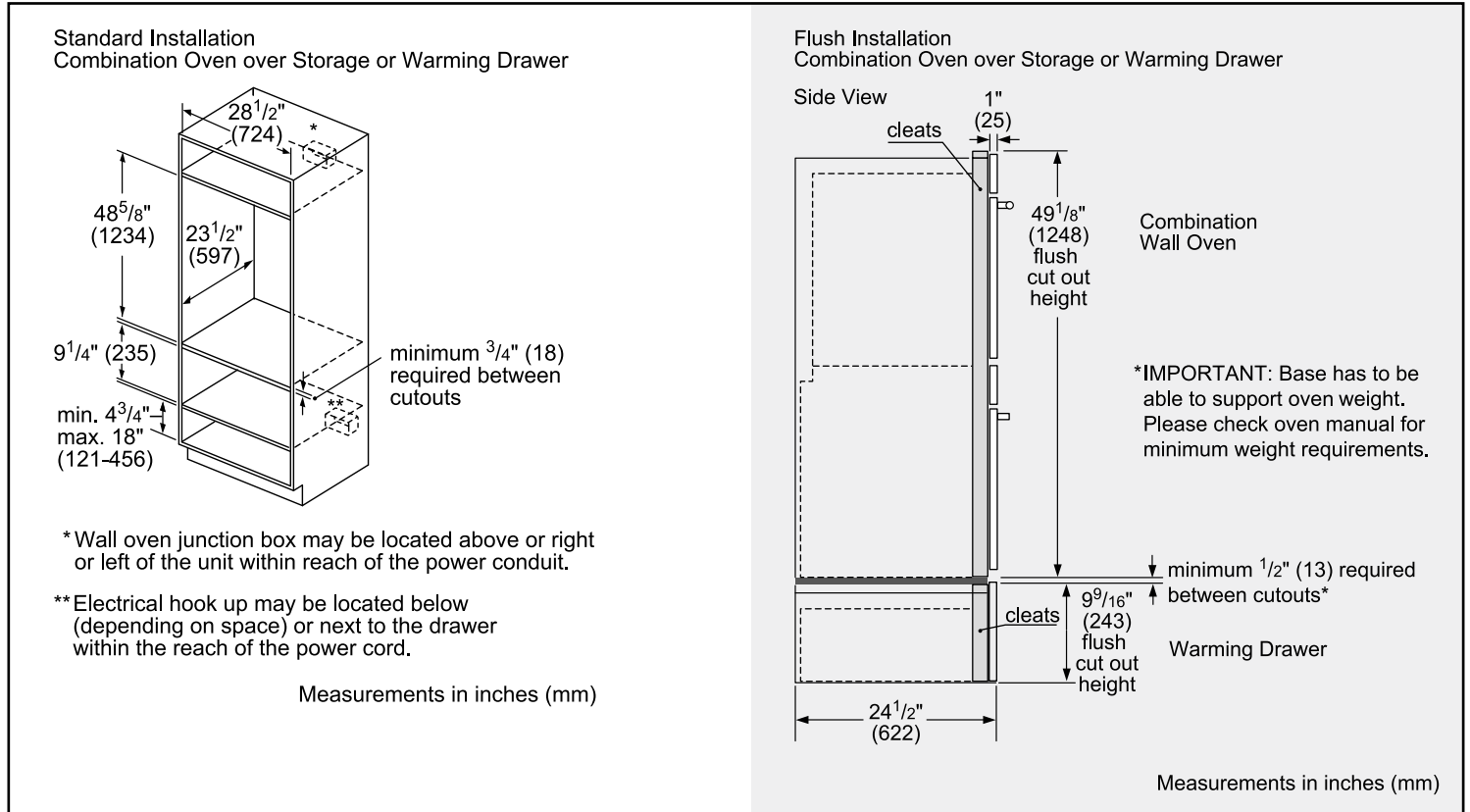
Benchmark® Series – Stainless Steel HSLP751UC



BOSCH
Invented for life



Installation Details



Accessories: To purchase Bosch accessories, cleaners & parts please visit www.bosch-home.com/us/store or call 1-800-944-2904 (Mon to Fri 5 am to 6 pm PST, Sat 6 am to 3 pm PST).

Notes: All height, width and depth dimensions are shown in inches. BSH reserves the absolute and unrestricted right to change product materials and specifications, at any time, without notice. Consult the product's installation instructions for final dimensional data and other details prior to making cutout.

Warranties: Please see Use & Care manual or Bosch website for statement of limited warranty.

For more information on our entire line of products, go to www.bosch-home.com/us or call 1-800-944-2904

© BSH Home Appliances Corporation. All rights reserved. Bosch is a registered trademark of Robert Bosch GmbH.