

24" Compact Heat Pump Dryer

500 Series Dryer with Home Connect® – WTW87NH1UC



WTW87NH1UC
White

The 500 series washer & dryer are one of the only ENERGY STAR® Most Efficient certified 24" matching pairs available¹.

Features & Benefits

The patented self-cleaning condenser keeps energy usage constantly low by regularly rinsing fluff from the condenser with every cycle.

North America's only self-cleaning condenser eliminates the need to regularly clean and rinse the condenser area².

Most energy efficient heat pump dryer in its class³.

Remotely control and monitor your dryer with Home Connect®

The 4.0 cu. ft. drum has large capacity to fit a variety of loads.



General Properties

Dryer type	Heat Pump
Drum material	Stainless Steel
Interior light	No
Ventless drying (no ducting)	Yes
Stackable	Yes with Stacking Kit Accessory
Silence level	65 dBA
Programs (No.), [Special]	(14), [Sanitize, Outdoor/Sport]
Options (No.), [Special]	(8), [Remote Start, Dryness Level]
Home Connect™ (Wi-Fi enabled)	Yes
Energy consumption	123 kWh/yr
ENERGY STAR® certified	Most Efficient of 2021

Capacity

Capacity	4.0 cu. ft.
----------	-------------

Design Elements

Door ring	Silver
Control type	Premium LED touch
Dial	Silver
Bosch logo on door glass	Yes

Technical Details

Energy source	Electric
Watts	900 W
Circuit breaker	15 A*
Volts	208/220-240 V
Current	3.5 A
Frequency	60 Hz
Power Cord (included) [Type]	(Yes) [240V; NEMA 6-15, 3-prong]
Power cord length	63" (Full Length)

Technical Details (continued)

Drain hose length	78" (Full Length)
Door hinge	Right Side (Reversible)

Dimensions & Weight

Overall appliance dimensions (HxWxD)	33 1/4" x 23 1/2" x 25"
Net weight	125 lbs
Minimum stack height	67 3/4"

*ADA compliance

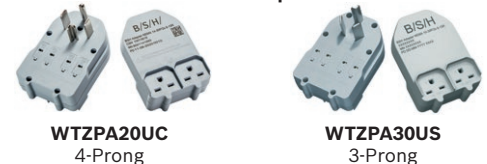
- Meets ADA height and access requirements when installed on pedestal.
- Meets ADA operable parts requirements for controls and lint filter.

Accessories

Dryer Stacking Kits



Power Adapters



Bosch Dryers are supplied with WTZPA20UC adapter to fit a standard 4-Prong, 30A, Dryer receptacle (NEMA 14-30R) to power both Bosch Washers and Dryers.

- Note: – 3-Prong Adapter may be ordered directly from Bosch (not supplied with Washer or Dryer).
– Use of two individual NEMA 6-15R or 6-20R receptacles/circuits may be used as alternative means to power Washer and Dryer.



WTZPW20D
Dryer Pedestal



WMZ20600
Drying Rack

¹ Based on Most Efficient residential washers ≤2.5 cu.ft with a corresponding Most Efficient ventless ≤24 inch dryer as listed on Energystar.gov as of August 2020.

² Based on ≤24 inch compact heat pump dryers available for sale as of August 2020 with ENERGY STAR certification.

³ Based on DOE/EPA energy test procedures of compact dryers ≤24 inches with ENERGY STAR certification.

*Stated circuit breaker size is if the appliance is plugged into an individual 240/208V, 15A minimum branch circuit.

Accessories: To purchase Bosch accessories, cleaners & parts please visit www.bosch-home.com/us/store or call 1-800-944-2904 (Mon to Fri 5 am to 6 pm PST, Sat 6 am to 3 pm PST).

Notes: All height, width and depth dimensions are shown in inches. BSH reserves the absolute and unrestricted right to change product materials and specifications, at any time, without notice. Consult the product's installation instructions for final dimensional data and other details prior to making cutout.

Warranties: Please see Use & Care manual or Bosch website for statement of limited warranty.

For more information on our entire line of products, go to www.bosch-home.com/us or call 1-800-944-2904

© BSH Home Appliances Corporation. All rights reserved. Bosch is a registered trademark of Robert Bosch GmbH.

24" Compact Heat Pump Dryer

500 Series Dryer with Home Connect® – WTW87NH1UC

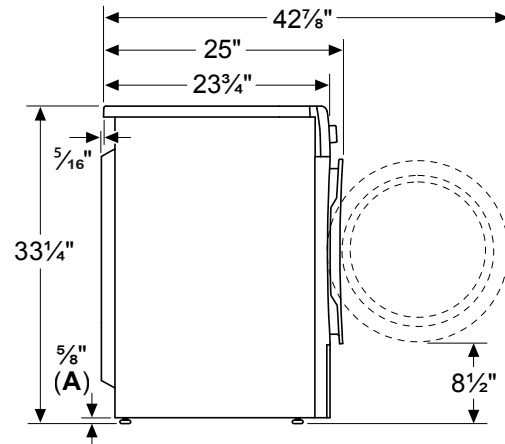
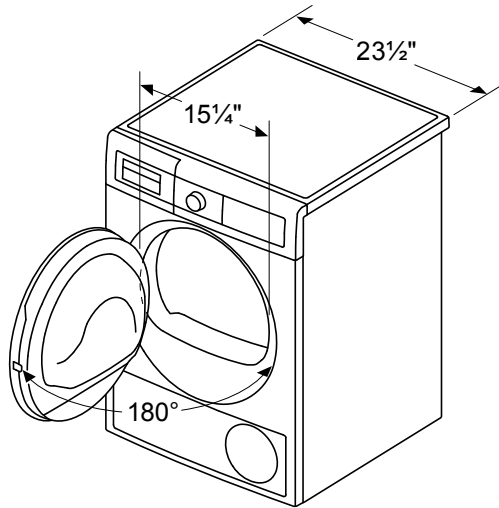


BOSCH

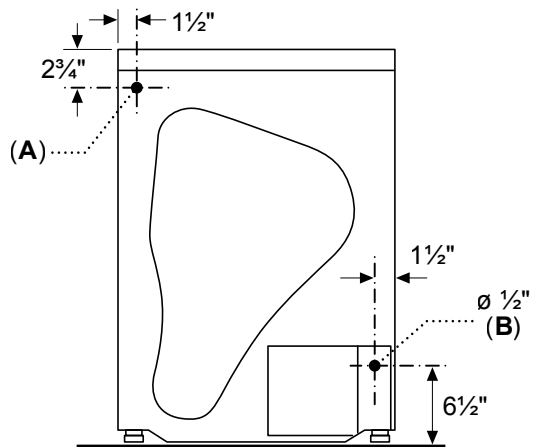
Invented for life



Installation Details

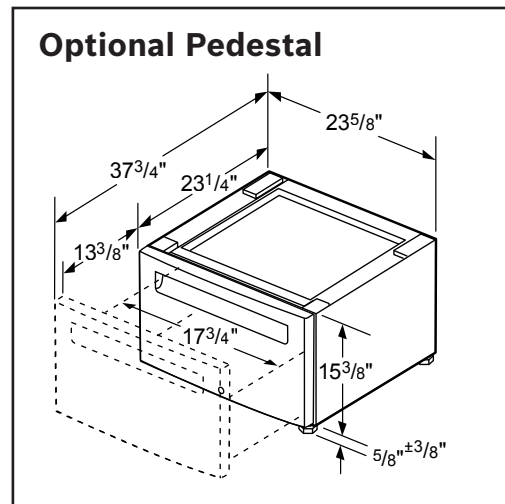


A: 5/8" nominal; 1/2" minimum; 1" maximum



A: Power cord exit
B: Drain exit

measurements in inches



Accessories: To purchase Bosch accessories, cleaners & parts please visit www.bosch-home.com/us/store or call 1-800-944-2904 (Mon to Fri 5 am to 6 pm PST, Sat 6 am to 3 pm PST).

Notes: All height, width and depth dimensions are shown in inches. BSH reserves the absolute and unrestricted right to change product materials and specifications, at any time, without notice. Consult the product's installation instructions for final dimensional data and other details prior to making cutout.

Warranties: Please see Use & Care manual or Bosch website for statement of limited warranty.

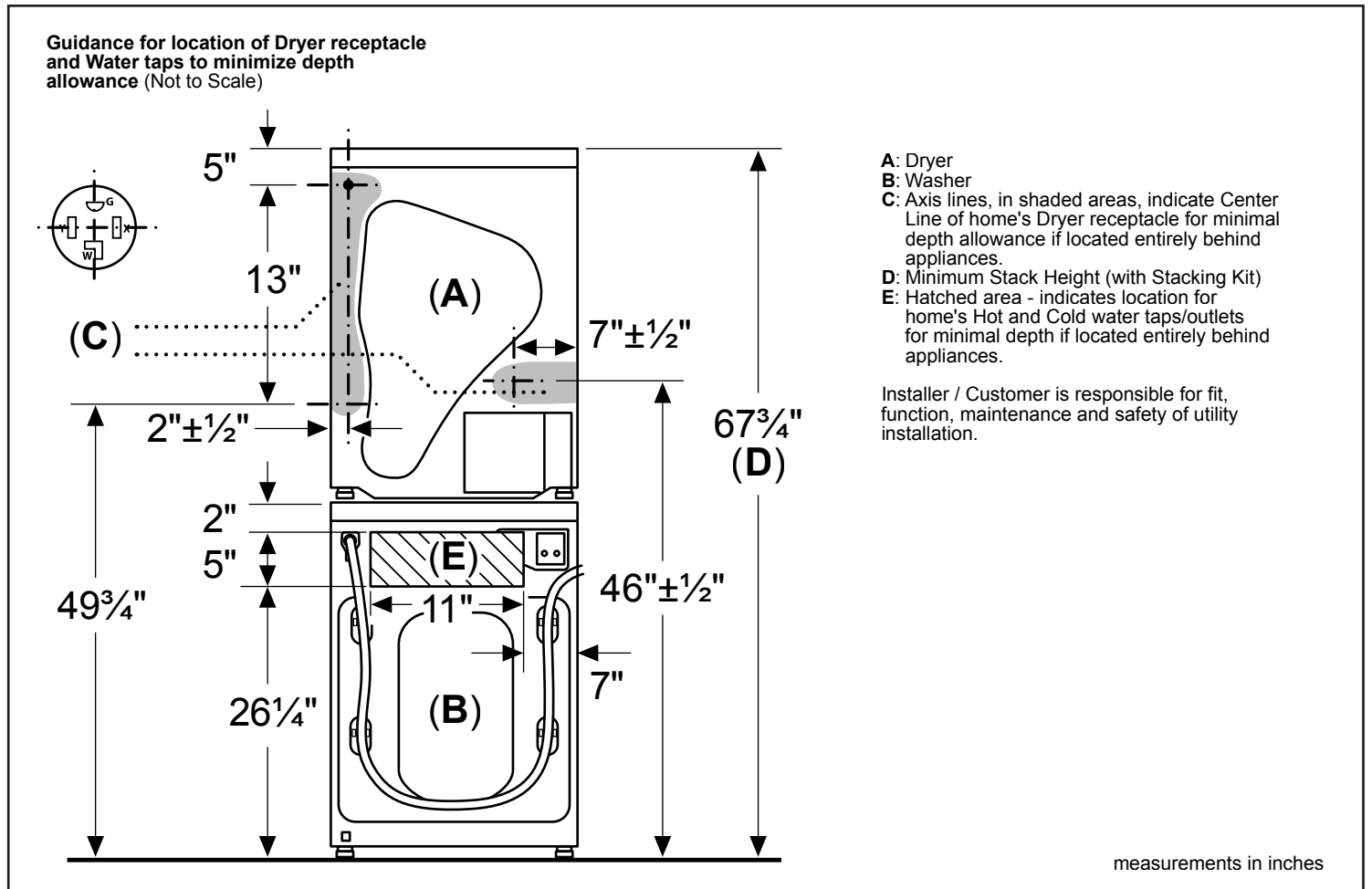
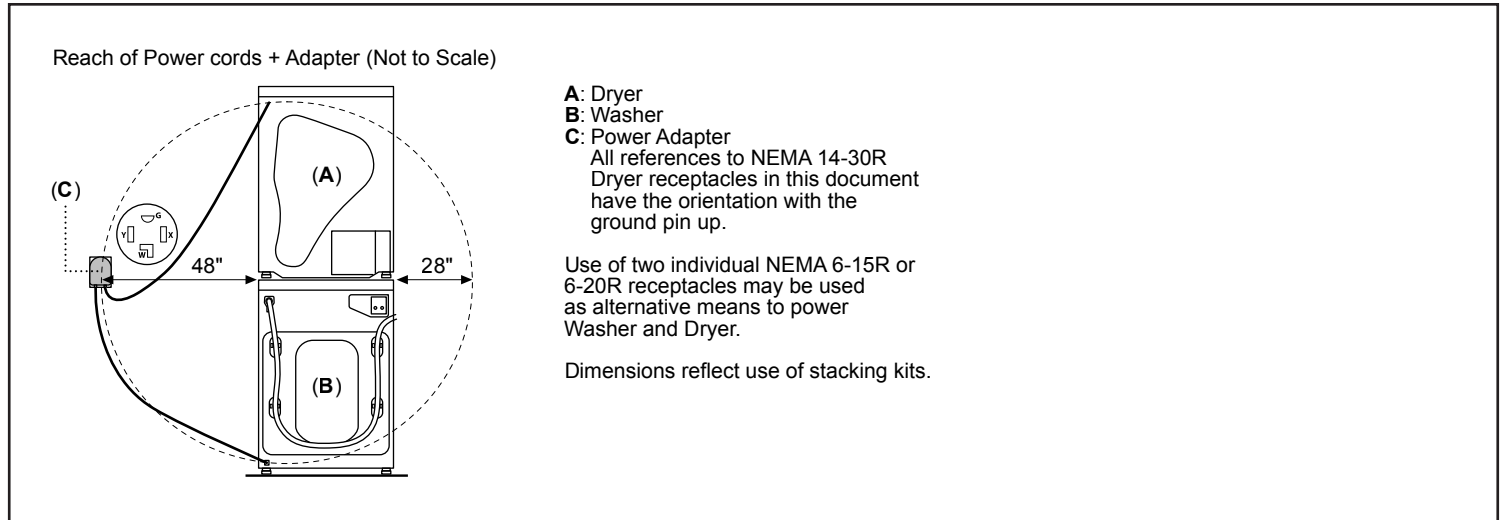
For more information on our entire line of products, go to www.bosch-home.com/us or call 1-800-944-2904

© BSH Home Appliances Corporation. All rights reserved. Bosch is a registered trademark of Robert Bosch GmbH.

24" Compact Heat Pump Dryer

500 Series Dryer with Home Connect® – WTW87NH1UC

Installation Details



Accessories: To purchase Bosch accessories, cleaners & parts please visit www.bosch-home.com/us/store or call 1-800-944-2904 (Mon to Fri 5 am to 6 pm PST, Sat 6 am to 3 pm PST).

Notes: All height, width and depth dimensions are shown in inches. BSH reserves the absolute and unrestricted right to change product materials and specifications, at any time, without notice. Consult the product's installation instructions for final dimensional data and other details prior to making cutout.

Warranties: Please see Use & Care manual or Bosch website for statement of limited warranty.

For more information on our entire line of products, go to www.bosch-home.com/us or call 1-800-944-2904

© BSH Home Appliances Corporation. All rights reserved. Bosch is a registered trademark of Robert Bosch GmbH.

24" Compact Heat Pump Dryer

500 Series Dryer with Home Connect® – WTW87NH1UC

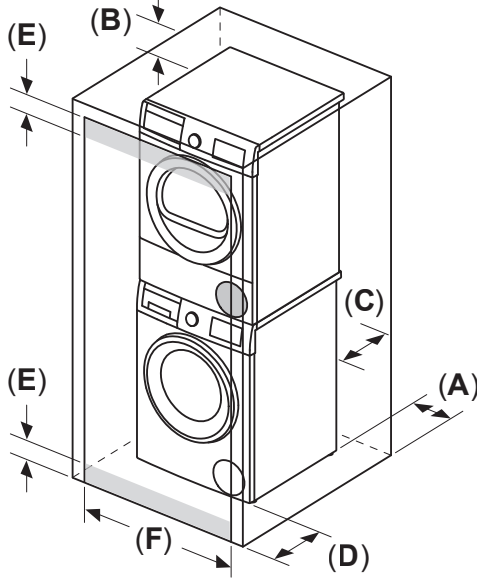


BOSCH
Invented for life



Installation Details

Closet: Stacked Washer with Heat Pump Dryer



Minimum clearance requirements (Stacked, Stand Alone or Side by Side):

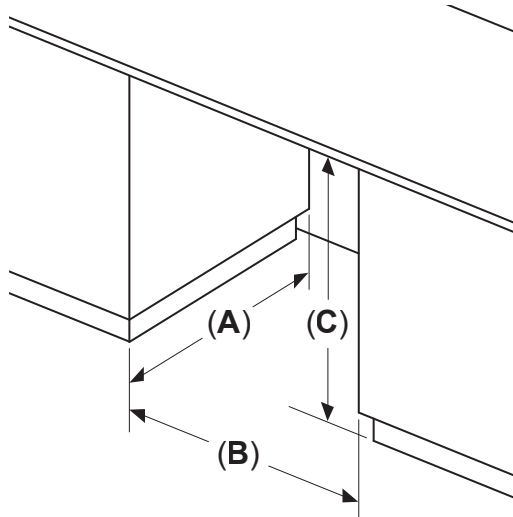
- A: Both sides (left and right) – 1/2"
- B: Top – 6 1/4"
- C: Rear – 3"
- D: Front – 1/2"

Minimum door undercut (louvered area):

- E: Undercut height (Top and Bottom) – 1 1/4"
Louvered areas of equal total sizes and split between upper and lower portions of door are permitted.
- F: Undercut width (Top and Bottom):
 - 24" minimum for Stacked and Stand Alone
 - 48" minimum for Side by Side

For shortest drying times keep closet door open while dryer is operating. When closet doors are closed, open areas only allow minimal drying results (expect long drying times).

Under Counter (Preferred)

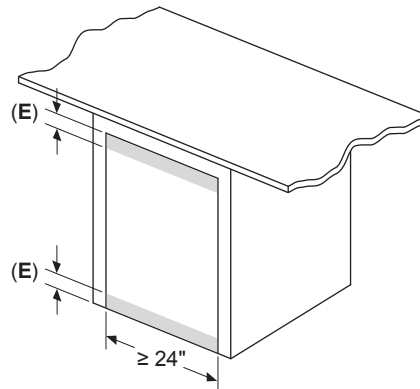


Minimum opening dimensions:

- A: Depth – 28"
- B: Width – 23 7/8"
- C: Height – 34 1/2"

Front of appliance fully open.
No doors or coverings.

Under Counter Enclosed (Less Preferred)



Minimum door undercuts:

- E: Undercut height (Top and Bottom) – 1 1/4"
Louvered areas of equal total sizes and split between upper and lower portions of door are permitted.

For shortest drying times keep cabinet door open while dryer is operating. When cabinet door is closed, open areas only allow minimal drying results (expect long drying times).

measurements in inches

Accessories: To purchase Bosch accessories, cleaners & parts please visit www.bosch-home.com/us/store or call 1-800-944-2904 (Mon to Fri 5 am to 6 pm PST, Sat 6 am to 3 pm PST).

Notes: All height, width and depth dimensions are shown in inches. BSH reserves the absolute and unrestricted right to change product materials and specifications, at any time, without notice. Consult the product's installation instructions for final dimensional data and other details prior to making cutout.

Warranties: Please see Use & Care manual or Bosch website for statement of limited warranty.

For more information on our entire line of products, go to www.bosch-home.com/us or call 1-800-944-2904

© BSH Home Appliances Corporation. All rights reserved. Bosch is a registered trademark of Robert Bosch GmbH.