

T24UR915RS

UNDER-COUNTER GLASS DOOR REFRIGERATOR

MASTERPIECE® SERIES HANDLE – RIGHT HINGED



Also Available:
 T24UR915LS – Left Hinged with Masterpiece® Series Handle
 T24UR925LS – Left Hinged with Professional Series Handle
 T24UR925RS – Right Hinged with Professional Series Handle
 T24UR905LP – Left Hinged Custom Panel-Ready
 T24UR905RP – Right Hinged Custom Panel-Ready

FEATURES & BENEFITS

- Customizable cooling modes—Refrigerator, Pantry and Bar
- SoftClose® door hinges for ultra-smooth closing
- Fully adjustable tempered glass shelves
- Door Open Alarm
- LED theater Lighting
- Sabbath Mode
- Touch electronic controls for temperature management

GENERAL PROPERTIES

| | |
|-------------------------------|-------------------------|
| SoftClose® Door | Yes |
| Lighting | Adjustable LED Lighting |
| Tempered Glass Shelves | 4 |
| Door Open Alarm | Yes |
| Quick Chill | Yes |
| Touch Electronic Controls | Yes |
| STAR-K Certified Sabbath Mode | Yes |

CAPACITY

| | |
|--------------------------|-------------|
| Total Capacity (cu. ft.) | 5.2 cu. ft. |
|--------------------------|-------------|

TEMPERATURE RANGES

| | |
|-----------------------|---|
| Refrigerator | 33°F (0.5°C) to 64°F (18°C) |
| Pre-Set Cooling Modes | Refrigerator 37°F (3°C) Pantry 53°F (12°C) Bar 34°F (1°C) |
| Quick Chill | Refrigerator 33°F (0.5°C) for approximately 24 hours |

TECHNICAL DETAILS

| | |
|-------------------------|-------------|
| Watts (W) | 150 W |
| Current (A) | 15 Amp |
| Volts (V) | 115 V |
| Frequency (Hz) | 60 Hz |
| Power Cord Length (in.) | 60" |
| Plug Type | 120V 3-Wire |

DIMENSIONS & WEIGHT

| | |
|--|-----------------------------|
| Appliance Dimensions (H x W x D) (in.) | 34 3/8" x 23 7/8" x 23 5/8" |
| Required Cutout Size (H x W x D) (in.) | 34 1/2"–35 1/4" x 24" x 24" |
| Net / Gross Weight (lbs.) | 115 / 126 lbs. |

EFFICIENCY

| | |
|---------------------------|---------|
| ENERGY STAR® Qualified | Yes |
| Annual Energy Consumption | 274 kWh |

WARRANTY

Limited, Entire Appliance, Parts and Labor on any Part of the Refrigerator that Fails Because of a Manufacturing Defect

2 Year

Limited Warranty for Sealed Refrigeration System*; Parts and Labor
 3rd to 6th Year

Limited Warranty for Sealed Refrigeration System*; Parts Only
 7th to 12th Year

*Height adjustable + 1/2" (13 mm) with legs fully extended

**Sealed refrigeration system includes compressor, evaporator, condenser, dryer / strainer and connection tubing

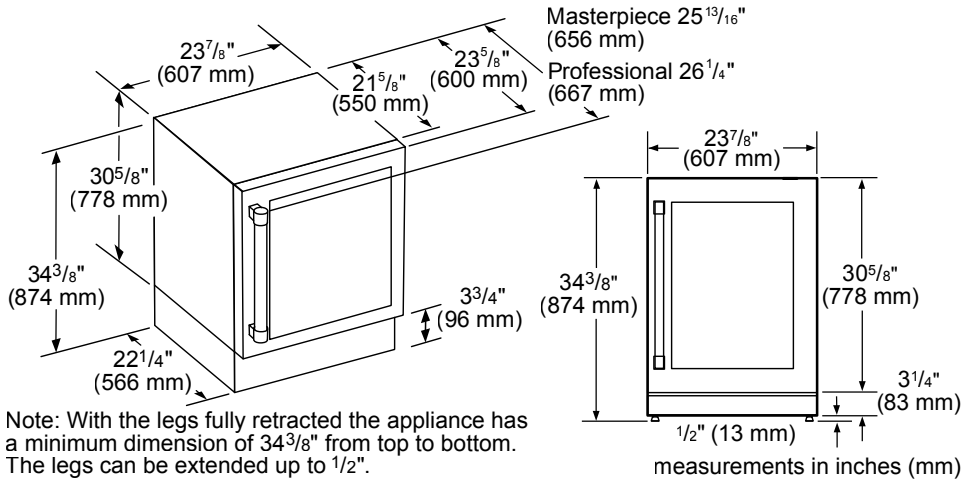
T24UR915RS

UNDER-COUNTER GLASS DOOR REFRIGERATOR

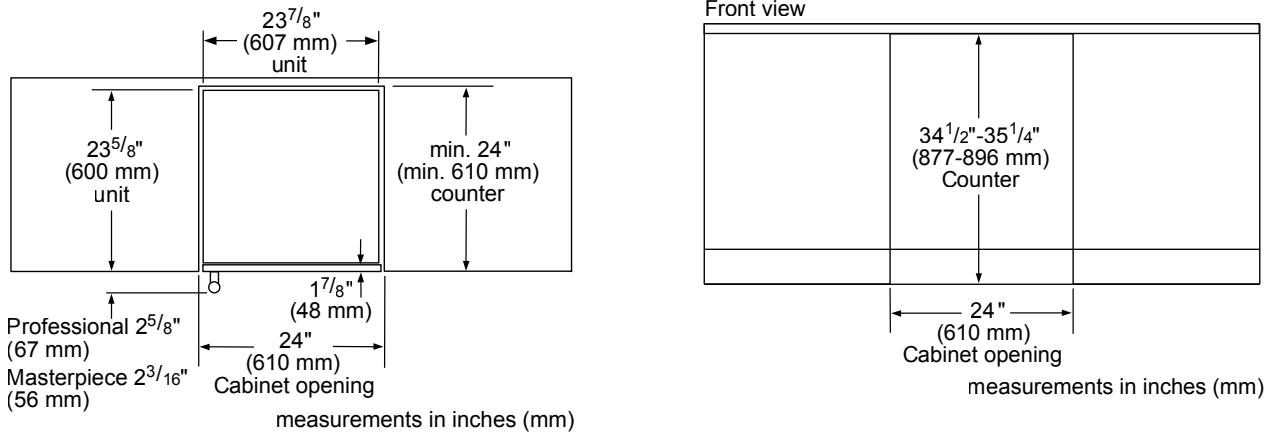
MASTERPIECE® SERIES HANDLE – RIGHT HINGED



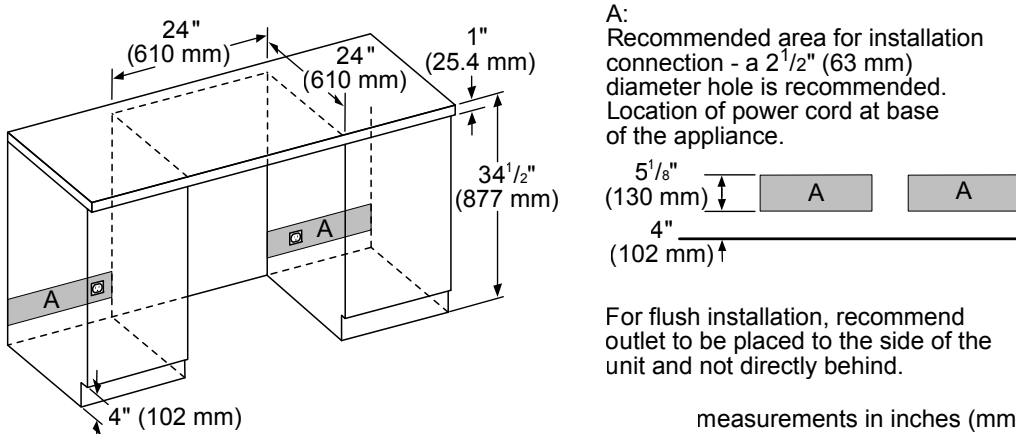
GLASS DOOR REFRIGERATOR PRODUCT DIMENSIONS



GLASS DOOR REFRIGERATOR CUTOUT DIMENSIONS



GLASS DOOR REFRIGERATOR CUTOUT DIMENSIONS & ELECTRICAL LOCATION



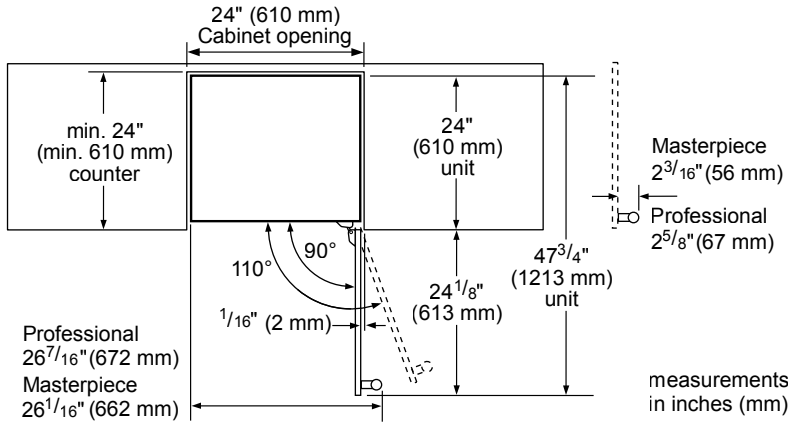
T24UR915RS

UNDER-COUNTER GLASS DOOR REFRIGERATOR

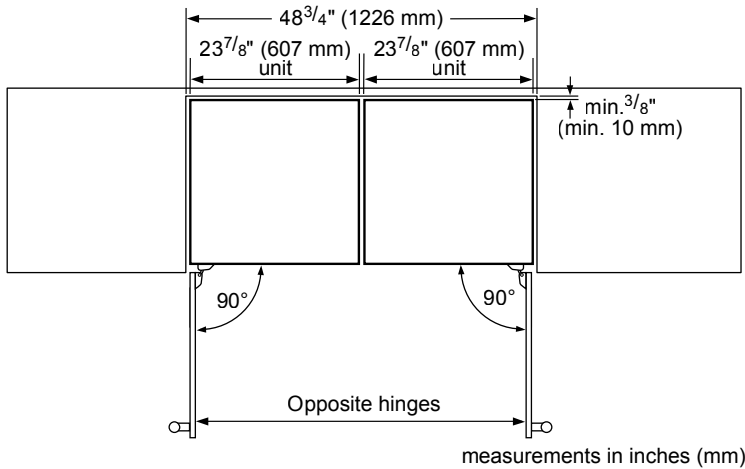
MASTERPIECE® SERIES HANDLE – RIGHT HINGED



GLASS DOOR REFRIGERATOR CUTOUT & DOOR SWING DIMENSIONS



GLASS DOOR REFRIGERATOR SIDE-BY-SIDE INSTALLATION



These warranties give you specific legal rights and you may have other rights that vary from state to state. Limited warranty from date of delivery. For complete warranty details, refer to your Use & Care manual, or ask your dealer.

Specifications are for planning purposes only. Refer to installation instructions and consult your countertop supplier prior to making counter opening. Consult with a heating and ventilation engineer for your specific ventilation requirements. For the most detailed information, refer to installation instructions accompanying product or write to Thermador indicating the model number. Specifications are correct at time of printing. Thermador reserves the right to change product specifications or design without notice. Some models are certified for use in Canada. Thermador is not responsible for products that are transported from the U.S. for use in Canada.