

# DWHD760CPR

## SAPPHIRE® 7-PROGRAM DISHWASHER

CUSTOM PANEL



Home Connect

Also Available In:

DWHD760CFP – Flat Stainless Steel Panel with Professional Series Handle

DWHD760CFM – Flat Stainless Steel Panel with Masterpiece® Series Handle

### FEATURES & BENEFITS

- ★ - StarDry™ — No one dries better. Star Dry with Zeolite: the ultra-powerful program that dries dishes better so place settings, glassware, and even sturdy plastics and containers with hard-to-reach crevices are ready for use immediately after each cycle
- ★ - Sapphire Glow® light illuminates with the sparkling blue light when the dishwasher is open
  - Time Remaining PowerBeam® shines the actual remaining time of the cycle on the floor
  - Adjustable Chef's Tool Drawer® delivers added loading capacity as well as flexibility to accommodate larger or smaller items, wider ends and utensil handles
  - Flexible folding tines fold down to accommodate larger pots, pans, and dishes and add flexibility to hold items twice as wide as previous models and significantly wider than competitor
  - Smooth-glide ball bearing wheels on upper and lower racks
  - Exceptionally Quiet — 44 dBA for a peaceful kitchen experience
  - Thermador connected experience by Home Connect® enables exclusive dishwasher features and appliance interaction through app, voice, smartwatch and more

### GENERAL PROPERTIES

Number Of Wash Cycles	7
Number Of Options	6
NSF®-Certified* Sanitize Option	Yes
dBA	44 dBA
Third Rack	Adjustable Chef's Tool Drawer®
Rack Adjustability	Rackmatic 3-Stage
Tub Material	Stainless Steel
Control Type	Touch Control
Concealed Water Heating Element	Yes
Leak Protection System	24/7 AquaStop®
Water Softener	Yes
Five-Level Wash	Yes
Childlock	No
Home Connect® (Wi-Fi Enabled)	Yes

### EFFICIENCY

Water Usage Per Cycle	3.5 g
Energy Efficiency Class	Tier 1
ENERGY STAR® Certified	No
Total Annual Energy Consumption	269 kWh
Total Annual Water Consumption	623.5 g

### CAPACITY

Number Of Place Settings	16
--------------------------	----

### TECHNICAL DETAILS

Watts	1,440 W
Current	12 A
Volts	120 V
Frequency	60 Hz
Power Cord Length	67"
Power Cord Install Length from Corner of Unit when Facing the Door	Left - 45" Right - 56"
Minimum Water Pressure	14 (lb/sin)
Max. Temperature for Water Intake	140° F
Length Inlet Hose	N/A
Length Outlet Hose	79"

### DIMENSIONS & WEIGHT

Overall Appliance Dimensions (HxWxD)	33 7/8" x 23 9/16" x 23 1/16"
Required Cutout Size (HxWxD)	33 7/8" Min. x 24" Min. x 24"
Adjustable Feet	Yes
Net Weight	105 lbs

\*Certification to NSF/ANSI Standard 184 for residential dishwashers

# DWHD760CPR

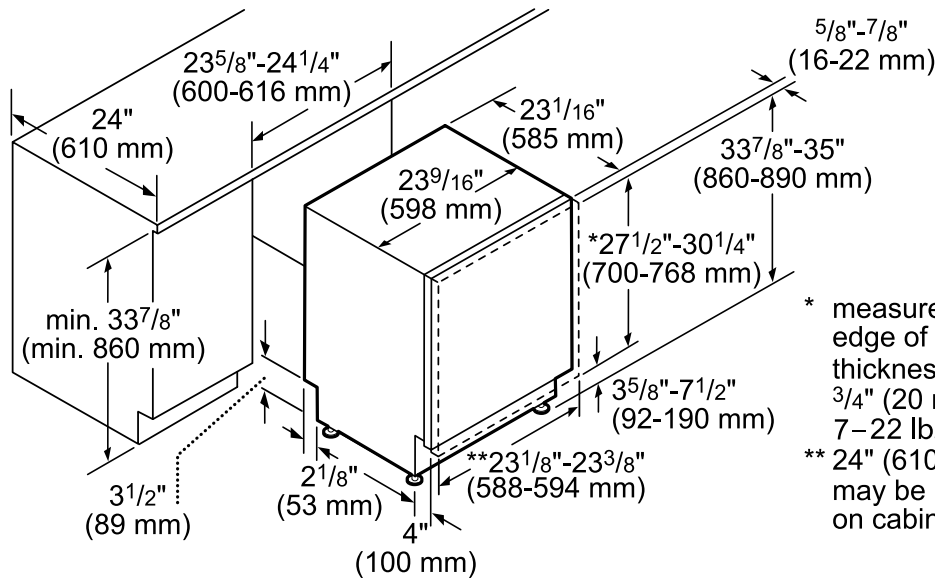
## SAPPHIRE® 7-PROGRAM DISHWASHER

CUSTOM PANEL



WARRANTY	
Limited Warranty, Entire Appliance, Parts and Labor	2 Year
Limited Warranty for Microprocessor or Printed Circuit Board; Parts Only	3rd to 5th Year
Limited Warranty for Racks (Does Not Include Rack Components); Parts Only	3rd to 5th Year
Limited Warranty for Rust-through On Inner Tub Liner; Parts Only	Lifetime

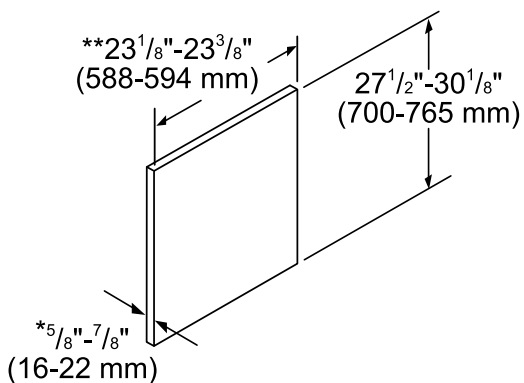
### DISHWASHER & CUTOUT DIMENSIONS



\* measured from the bottom edge of the countertop panel  
thickness recommended 3/4" (20 mm)  
panel weight 7–22 lb. (3–10 kg)

\*\* 24" (610 mm) wide panel may be used depending on cabinet design

measurements in inches and mm



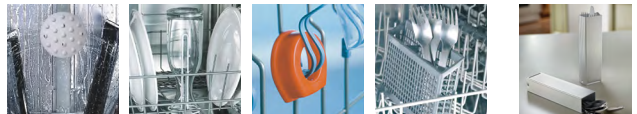
\* thickness recommended 3/4" (20 mm),  
panel weight 7–22 lb. (3–10 kg)

\*\* 24" (610 mm) wide panel may be used  
depending on cabinet design

measurements in inches and mm

### ACCESSORIES (OPTIONAL)

Dishwasher Installation Kit (Junction Box, 90° Elbow and Water Supply Hose)	SMZ3IN1UC
Dishwasher Supply and Drainage Hose Extension 76 3/4"	SGZ1010UC
Junction Box	SMZPCJB1UC
Cabinet Protector with Power Cord Clip	SMZEPCC1UC
Water supply hose	SMZSH002UC
Dishwasher Accessory Kit**	SMZ5000
Fine Silverware Carafe	SMZ5002UC



\*\*Accessory Kit includes Extra-Tall-Item Sprinkler, Vase / Bottle Holder, 3 Plastic Item Clips and Small Item Basket

Fine Silverware Carafe

These warranties give you specific legal rights and you may have other rights that vary from state to state. Limited warranty from date of delivery. For complete warranty details, refer to your Use & Care manual, or ask your dealer.

Specifications are for planning purposes only. Refer to installation instructions and consult your countertop supplier prior to making counter opening. Consult with a heating and ventilation engineer for your specific ventilation requirements. For the most detailed information, refer to installation instructions accompanying product or write to Thermador indicating the model number. Specifications are correct at time of printing. Thermador reserves the right to change product specifications or design without notice. Some models are certified for use in Canada. Thermador is not responsible for products that are transported from the U.S. for use in Canada.