

HMDW30WS

UNDER CABINET DRAWER WALL HOOD WITH BLOWER

(30-INCH WIDTH)

MASTERPIECE® SERIES



FEATURES & BENEFITS

- Pull canopy open for increased capture, or push back for flush design
- ★ - Noise Control Technology™ reduces noise while hood is in use
- ★ - Equipped with the Thermador Connected Experience by Home Connect™
 - Cooktop Hood Sync enables control through Freedom® Induction Cooktop
 - Beautiful illumination with multi-level, vivid LED lights

ACCESSORIES (OPTIONAL)

- Recirculation Kit
- RECHMDW30 - For HMDW30WS & HMDW36WS under cabinet drawer hoods only
- Replacement Charcoal Filter
- CHFHMDW30 - For use with recirculation kit RECHMDW30
- Built-In Remote Control Panel
- REMCPU - Ability to vertically install on cabinetry or wall to control hood in a convenient location

GENERAL PROPERTIES

Features

Cooktop Hood-Sync Enabled, Noise Control Technology™, Multi-Level LED Lights with Fading Transitions, Automatic Mode, Check Filter Reminder Light, Delay Shut-Off

Operating Mode	Convertible: Ducted / Recirculating
Maximum CFM (blower)	600 CFM
CFM (HVI)	490 HS / 180 WS
Sones (HVI)	10.5 HS / 2 WS
Number of Speed Settings	4-Stage
Motor Location	Integrated
Number Of Lights	2
Bulb Type	LED
Light Lumens	100 – 150
Light Color	3500 – 4000 °K
Total Power Of The Lamps	2.4 W
Damper Included	Yes
Grease Filter Material	Washable Stainless Steel
Grease Filter Type	Hybrid Mesh
Home Connect™ (Wi-Fi Enabled)	Yes

TECHNICAL DETAILS

Watts	423 W
Current	15 A
Volts	120 V
Frequency	60 HZ
Plug Type	Fixed Connection

DIMENSIONS & WEIGHT

Overall Appliance Dimensions (Width Of Canopy Included) (HxWxD)	17 9/16" x 29 15/16" x 12" - 19 7/8"
Minimum Distance Above Gas / Electric Cooking Surface	30" / 30"
Diameter of Air Duct Top	8"
Net Weight	51 lbs

WARRANTY

Limited Warranty Parts And Labor	2 Year
----------------------------------	--------

HS=High Speed; WS=Working Speed

HMDW30WS

UNDER CABINET DRAWER WALL HOOD WITH BLOWER

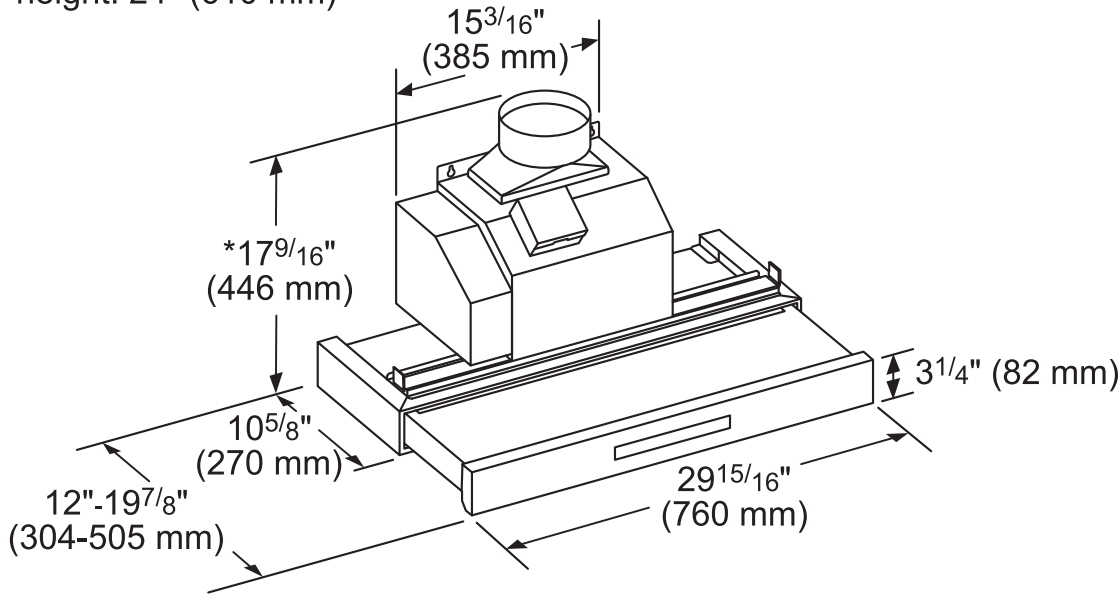
(30-INCH WIDTH)

MASTERPIECE® SERIES



HOOD DIMENSIONS

*Minimum Cabinet inside height: 24" (610 mm)



measurements in inches (mm)

OPTIONAL ACCESSORIES

REMOTE CONTROL PANEL REMCPW



Convenience at your fingertips: The remote control accessory offers the freedom to extend your hood controls to a more reachable spot

REPLACEMENT CHARCOAL FILTER CHFHMWDW30

For use with Recirculation Kit RECHMDW30

RECIRCULATION KIT RECHMDW30

For HMDW30WS & HMDW36WS under cabinet drawer hoods only. Ideal for applications where ducting out is not possible.

These warranties give you specific legal rights and you may have other rights that vary from state to state. Limited warranty from date of purchase. For complete warranty details, refer to your Use & Care manual, or ask your dealer.

Specifications are for planning purposes only. Refer to installation instructions and consult your countertop supplier prior to making counter opening. Consult with a heating and ventilation engineer for your specific ventilation requirements. For the most detailed information, refer to installation instructions accompanying product or write to Thermador indicating the model number. Specifications are correct at time of printing. Thermador reserves the right to change product specifications or design without notice. Some models are certified for use in Canada. Thermador is not responsible for products that are transported from the U.S. for use in Canada.