

T36BB925SS

36-INCH STAINLESS STEEL BUILT-IN 2-DOOR BOTTOM FREEZER, PRE-ASSEMBLED

FREEDOM® COLLECTION, PROFESSIONAL SERIES HANDLES



Also Available In:
T36BB915SS – Masterpiece® Series Handles

FEATURES & BENEFITS

- Full Stainless Steel Inner Liner
- Freedom® Hinge enables true flush design
- Auto Door Opening provides the opening of the door with just a slight push or pull
- ThermaFresh System, Humidity and Temperature controlled drawers
- SoftClose® Drawers for easy and controlled storage
- Sleek clean design for the perfect symmetry when paired with additional columns
- TFT control panel managing all your columns functions

TEMPERATURE RANGES

Refrigerator	36°F (2°C) to 46°F (8°C)
SuperCool	36°F (2°C) for approximately 6 hours
Energy Saving (Economy) Mode	Refrigerator: 45°F (7°C) Freezer: 3°F (-16°C)
Freezer	-11°F (-24°C) to 7°F (-14°C)
SuperFreeze®	-22°F (-30°C) for approximately 52 hours

GENERAL PROPERTIES

Home Connect® (Wi-Fi Enabled)	Yes
Reversible Door Swing	Yes
SoftClose® Door	Yes
SoftClose® Drawers	Yes
Carbon Air Filter	Yes
Lighting	LED Sidewall and Theater Lighting
Refrigerator Shelves	3
Adjustable Shelves – Refrigerator	2
Shelf Material	Glass w/Aluminum Profile
Full Extension Drawers @ 115° Door Opening Angle	Yes
Full Extension Drawers @ 90° Door Opening Angle	Yes
Adjustable Temperature Drawer	1
Humidity Managed Drawer	1
Door Bins – Refrigerator	2
Gallon Door Bins – Refrigerator	1
Defrost Process – Freezer	Frost-Free
Freezer Baskets	2
Ice Maker with Diamond Ice System	Yes
Door Open Alarms	Yes
Open Door Assist	Yes
SuperCool	Yes
SuperFreeze®	Yes
Special Modes	Sabbath, Economy, Vacation

CAPACITY

Total Capacity (cu. ft.)	19.6 cu. ft.
Refrigerator Capacity (cu. ft.)	14.0 cu. ft.
Freezer Capacity (cu. ft.)	5.6 cu. ft.

TECHNICAL DETAILS

Watts (W)	350W
Current (A)	15 A
Volts (V)	110-120 V
Frequency (Hz)	60 Hz
Power Cord Length (in.)	118
Plug Type	120V-3 Prong

DIMENSIONS & WEIGHT

Appliance Dimensions (H x W x D) (in.)	83 3/4"* x 35 3/4" x 24 3/4"
Required Cutout Size (H x W x D) (in.)	84" x 36" x 25"
Net / Gross Weight (lbs)	535 / 583 lbs

EFFICIENCY

ENERGY STAR® Qualified	Yes
Annual Energy Consumption	504 kWh

*Height adjustable + / -1/2" (+ / -13 mm)

T36BB925SS

36-INCH STAINLESS STEEL BUILT-IN 2-DOOR BOTTOM FREEZER, PRE-ASSEMBLED

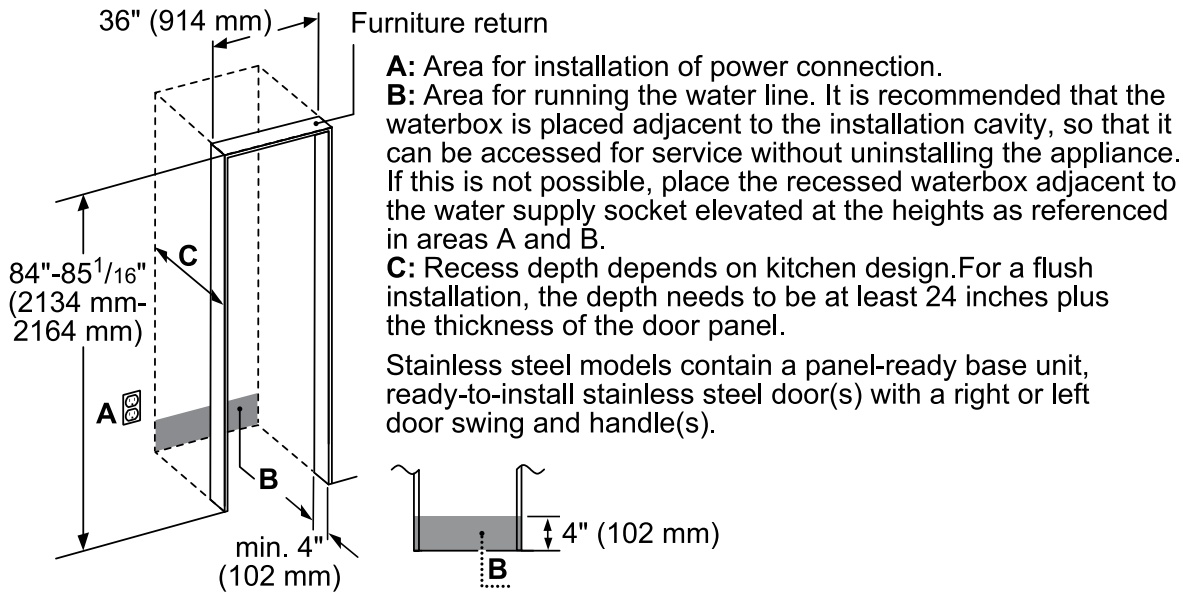
FREEDOM® COLLECTION, PROFESSIONAL SERIES HANDLES



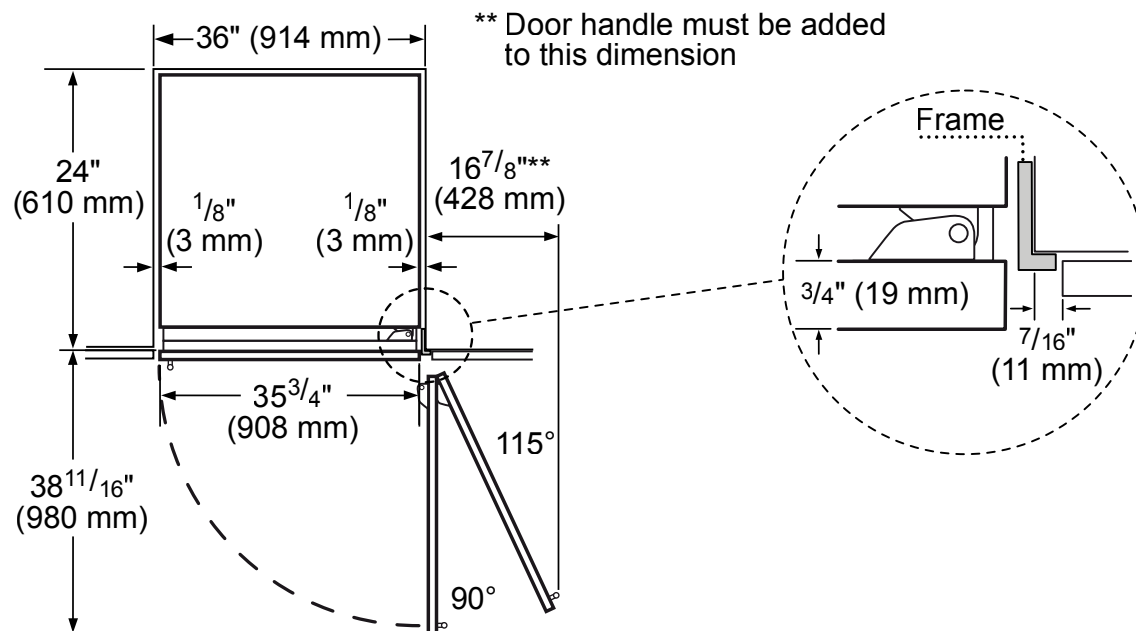
WARRANTY	
Limited, Entire Appliance, Parts and Labor on Any Part of the Refrigerator that Fails Because of a Manufacturing Defect	2 Year
Limited Warranty for Sealed Refrigeration System*; Parts and Labor	3rd to 6th Year
Limited Warranty for Sealed Refrigeration System*; Parts Only	7th to 12th Year
Limited Warranty for Stainless Steel Rust-Through	Lifetime

*Sealed refrigeration system includes compressor, evaporator, condenser, dryer / strainer and connection tubing

CUTOUT DIMENSIONS



TOP VIEW CLEARANCE



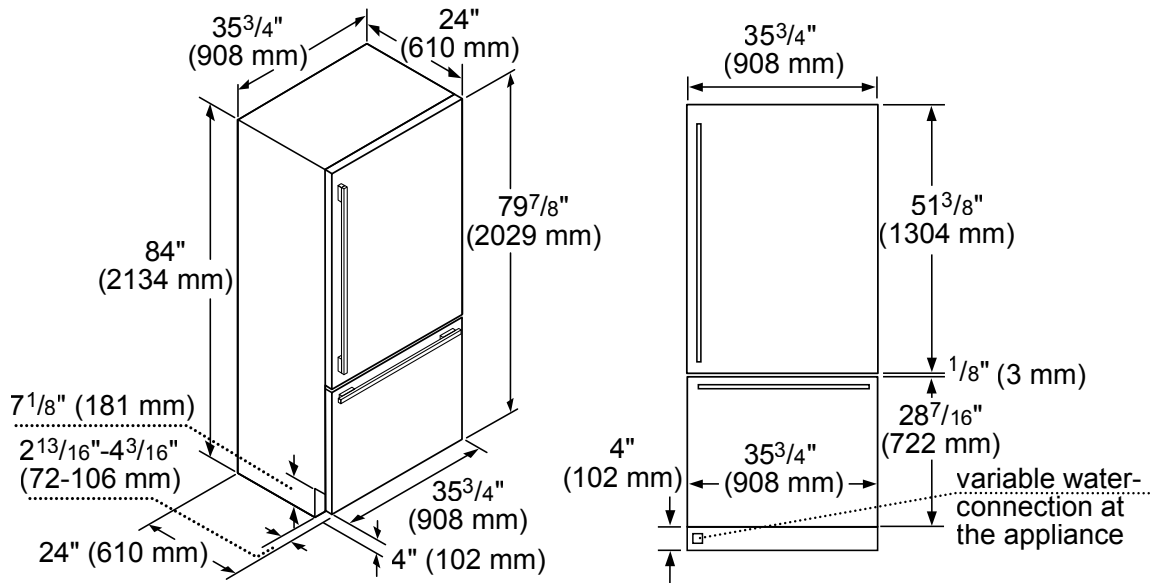
T36BB925SS

36-INCH STAINLESS STEEL BUILT-IN 2-DOOR BOTTOM FREEZER, PRE-ASSEMBLED

FREEDOM® COLLECTION, PROFESSIONAL SERIES HANDLES




PRODUCT AND PANEL DIMENSIONS



ACCESSORIES (OPTIONAL)

STORAGE

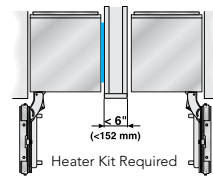
-  **36HFGALBIN**
36-Inch Half Gallon Bin
-  **LPRODBIN10**
Large Produce Bin
-  **SPRODBIN10**
Small Produce Bin
-  **36PRODRAIL**
36-Inch Produce Railing

FILTERS

-  **REPLFLTR55**
Freedom® Water Filter
Replacement water filter
for use in all freezer and
bottom freezer models

FRAMEKIT10

Freedom® Frame Kit
For any custom column installation
in 24-inch deep cutouts. With two
metal side trims whose placement
between the interior cutout wall and
the appliance helps overcome the
challenge of unfinished cabinet returns.



HEATRKIT20 – 13W @ 120V

Freedom® Heater Kit
When two appliances are installed side-by-side
a sealing kit must be used. For combinations
that involve a freezer column, this sealing
kit is included. For all other (non-traditional,
i.e. two wine columns, two bottom freezers,
etc.) side-by-side combinations or instances
where any appliances are installed less than
6-inches (152 mm) apart from one another
but not connected side-by-side, purchase
this kit. This kit is recommended for use with
any installation in areas that are subject to
humidity, or located next to an outside wall.

These warranties give you specific legal rights and you may have other rights that vary from state to state. Limited warranty from date of delivery. For complete warranty details, refer to your Use & Care manual, or ask your dealer.

Specifications are for planning purposes only. Refer to installation instructions and consult your countertop supplier prior to making counter opening. Consult with a heating and ventilation engineer for your specific ventilation requirements. For the most detailed information, refer to installation instructions accompanying product or write to Thermador indicating the model number. Specifications are correct at time of printing. Thermador reserves the right to change product specifications or design without notice. Some models are certified for use in Canada. Thermador is not responsible for products that are transported from the U.S. for use in Canada.