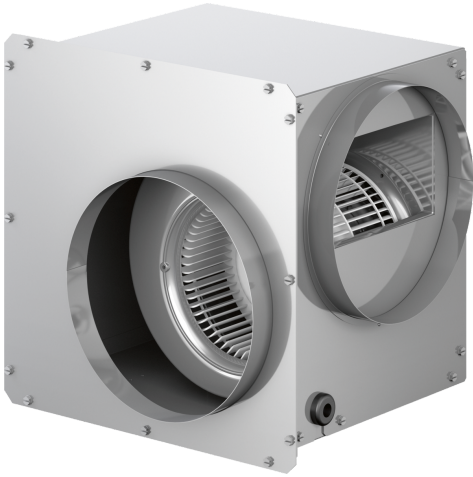


**Blower
VTD600P**



600 CFM flexible blower can be installed as an integrated or inline blower for Masterpiece® Downdraft ventilation for exhaust flexibility to suit your personal kitchen design



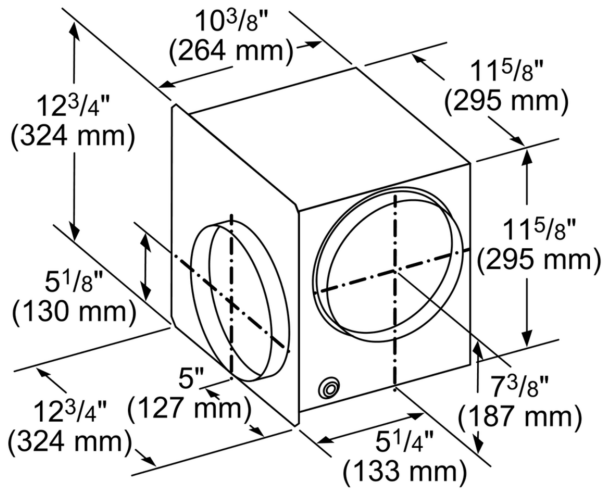
**Blower
VTD600P**

600 CFM flexible blower can be installed as an integrated or inline blower for Masterpiece® Downdraft ventilation for exhaust flexibility to suit your personal kitchen design

Performance

- Designed for use with UCVM30RS, UCVM36RS and UCVP36RS downdrafts
- Capable up to 600 CFM in performance
- Some blower positions may need deeper cabinets. See installation guide
- Recirculation kit available, use with induction/electric cooktops only
- Additional accessories may be required for installation, see manual

**Blower
VTD600P**



measurements in inches (mm)