



## RB 472 705

Fully integrated  
Width 30" (76.2 cm)  
Cooling section with one door and  
one fully extendable freezing drawer

### Included accessories

- 1 egg holder with lid
- 1 ice cube scoop
- 1 supply hose, 51" (1.3 m) with  
¼" male compression fitting  
(standard icemaker connector)

### Installation accessories

**RA 421 715**  
Stainless steel door panel **with handle**  
For 30" (76.2 cm) RB bottom freezer,  
panel thickness ¾".

**RA 423 340**  
Side trims, 2 pieces, for RY and RB.

**RA 425 110**  
Stainless steel handle for refrigerator  
door for RB 472, with 3 mounts,  
length 44 1/2" (1.131m).

**RA 425 710**  
Stainless steel handle for freezer door.  
For RB 472 with 2 mounts,  
length 25 5/8" (658 mm).

**RA 428 715**  
Stainless steel door panels, **handleless**  
For RB 472, panel thickness ¾".

**RA 460 000**  
Accessory for side-by-side installation.  
Not required if appliances are installed  
more than 6 5/16" apart from each other.  
Included in delivery for RF and RW

**RA 460 012**  
Additional side heating element 110 V.  
Required if appliances are installed with  
a distance greater than 5/8" and less than  
6 5/16" next to each other and for all built-in  
situations in a very humid environment.  
Not required if appliances are installed  
more than 6 5/16" apart from each other.

**RA 460 030**  
Connecting element for vertically split  
fronts (for bottom freezer combination).

**RA 464 713**  
Ventilation grill stainless steel  
For RB 472 with integrated water filter

## Vario 400 series two-door bottom freezer RB 472

- Stainless steel interior with solid  
anthracite aluminium elements
- Warm white and glare-free LED  
light spots
- Opening assist for door and  
freezer drawer with two options:
  1. Push-to-open function for  
integration into handleless cabinet  
front
  2. Pull-to-open function to facilitate  
opening the door using a handle
- Flat stainless steel inner door,  
full-length
- Almost invisible rail system for  
shelves and door bins for flexible  
positioning
- Solid anthracite aluminium door bins
- One fresh cooling drawer with  
manually adjustable temperature  
and one fresh cooling drawer with  
manually adjustable humidity
- Integrated automatic ice maker with  
fixed inlet water connection
- Fully extendable freezer drawer  
with practical divider in anthracite
- TFT touch display
- ENERGY STAR® certified
- Sabbath mode certified by Star-K
- Net volume 16.0 cu.ft.

### Operation

TFT touch display operation.  
Clear text display in 52 languages.

### Features

Dynamic cold air distribution with  
Multi-Flow Air System.  
Automatic defrosting with defrost  
water evaporation.  
Cushioned door closing system.  
Activated charcoal air filter.  
When rest mode (Sabbath mode)  
is active, the appliance can only be  
opened using a handle.  
Open-door and malfunction alarm.

Home network integration for digital  
services (Home Connect) wireless via  
WiFi. The use of the Home Connect  
functionality depends on the Home  
Connect services, which are not  
available in every country.  
For further information please check:  
home-connect.com.

### Cooling

No-Frost technology with fast cooling.  
Temperature adjustable from 35 °F to  
46 °F (from +2 °C to +8 °C).  
2 safety glass shelves, white glass,  
individually adjustable in height.  
1 integrated shelf with satin-finished  
glass.  
4 brilliant LED light spots with warm  
white, glare-free light within cooling  
area and drawers.  
Flat door rail system with fully flexible  
positioning of door bins.  
3 height-adjustable door bins, one of  
which is a large gallon door bin.  
Net volume 11.5 cu.ft.

### Optional accessories

**RA 430 100**  
Storage container with transparent lid,  
anthracite

**Part #11031964**  
Egg holder insert (for use with RA  
430 100)

**RA 450 022**  
Water filter cartridge

**Part #11037377**  
Water filter bypass for home water  
filtration system

### Fresh cooling close to 32° F (0° C)

1 fully extendable fresh cooling drawer  
with transparent front, illuminated.  
Cushioned closing system.  
Temperature can be adjusted manually.  
Ideal for meat, fish and poultry.

### Freezer

No-frost technology with fast freezing at  
-22 °F (-30 °C).  
Temperature adjustable from  
3 °F to -11 °F (-16 °C to -24 °C).  
Freezing capacity 31 lbs. (14 kg)/24 h.  
2 fully extendable drawers, one of them  
inside. Outer drawer with synchronously  
running pull-out rails.  
Storage time after a malfunction (13) h.  
Interior lighting with 2 LED light spots,  
warm white light.  
Net volume 4.5 cu.ft.

### Ice maker

Integrated in the freezer compartment,  
with fixed inlet water connection.  
Particle filter for water inlet, integrated  
in ventilation grille area.  
Can be switched off.  
Ice cube production approx.  
3.5 lb (1.6 kg)/24 h.  
Removable ice storage container with  
approx. 6.6 lbs. (3 kg) capacity.

### Consumption data

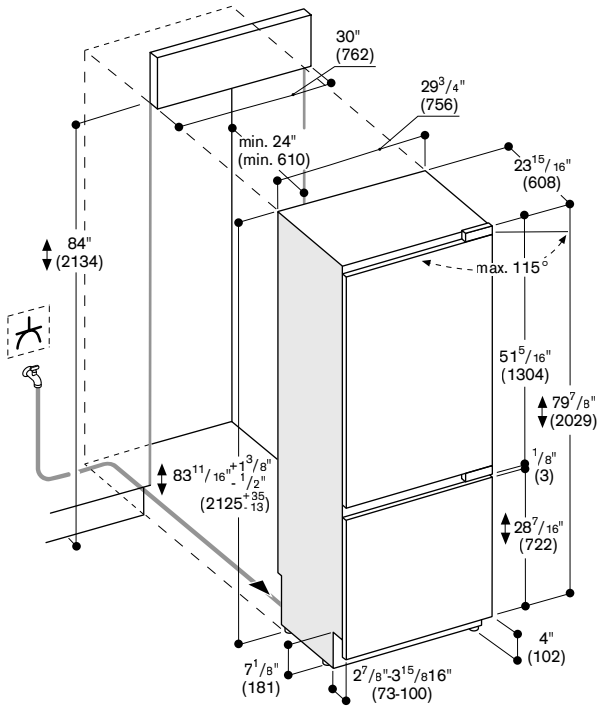
Energy consumption 470 kWh/year.  
Noise level 42 dB(A) re 1 pW.

### Planning notes

Flat hinge.  
Door hinge right, reversible.  
Door opening angle of 115°,  
fixable at 90°.  
Max. door panel weight:  
Door 90 lbs (41 kg).  
Drawer 22 lbs (10 kg).  
Shut-off valve for water connection  
must be planned next to the appliance  
and always be accessible.  
If the water pressure exceeds 116 psi,  
connect pressure relief valve between  
water tap and hose set.

### Rating

Total rating: 1,280 W/24h.  
Total Amps: 10 A.  
120 V / 60 Hz  
Connecting cable 118" (3.0 m),  
detachable.  
Cold water connection required.  
Electrical location 6" above ground in  
lower left corner of unit.  
Supply hose 51" (1.3 m) with ¼" male  
compression fitting (standard icemaker  
connector).  
Water pressure 29 to 116 psi.



The door face dimensions are designed for a maximum gap of 1/8" (3 mm).