



#### AF 210 761

Stainless steel handle bar  
Width 24" (60 cm)

Air extraction/Air recirculation

#### AF 210 791

Stainless steel handle bar  
Width 36" (90 cm)

Air extraction/Air recirculation

#### Installation accessories

##### AA 210 460

Lowering frame accessory for 24" AF visor hood, enables hood to disappear behind cabinetry.

##### AA 210 490

Lowering frame accessory for 36" AF visor hood, enables hood to disappear behind cabinetry.

##### AA 210 491

Mounting set for 36" upper cabinet. Required for installation of 36" AF visor hood if AA210490 lowering accessory isn't used.

#### Optional accessories

##### AA 211 812

Patented air recirculation kit including 1 activated charcoal filter with high efficient odor reduction. For air recirculation.

##### AA 210 110

1 activated charcoal filter with high efficient odor reduction. For use with air recirculation kit AA211812.

Refer to page 171 for detailed information on the recirculation and lowering frame accessory.

#### 200 series Visor hood

##### AF 210

- Unobtrusive visor hood design thanks to integrated glass panel in the steam screen
- Especially quiet operation thanks to integrated sound insulation
- Steam screen extends by touching the handle bar
- Steam screen and visible frame made of brushed stainless steel
- Especially high air output
- Dimmable, warm white LED light for ideal illumination of the entire cooktop
- The patented lowering frame allows the visor hood to disappear completely into the upper cabinet
- Air extraction or air recirculation system
- Air recirculation kit with activated charcoal filters: quiet and highly efficient air recirculation solution with odor reduction as in air extraction mode and long replacement intervals

#### Output

Performance and noise level, output level 3/Intensive:  
500 CFM

#### Features

Controls at front.  
3 electronically controlled power levels and 1 intensive mode.  
Delayed shut-off function.  
Grease filter saturation indicator.  
Stainless steel grease filter, dishwasher-safe.  
Warm white LED light (3,600 K), continuously dimmable.  
Lamp output 2x 9 W.  
Illuminance 683 lx.  
Light can be switched on separately.  
Integrated sound insulation for quiet operation.  
The blower is activated when the steam screen is extended.  
Patented technology for extension of the steam screen.  
Extendable steam screen up to 7 1/8".  
Airflow-optimized interior for efficient air circulation and ease of cleaning.  
Patented easy mounting system for simple installation.  
The package includes a one-way flap.

#### Consumption data

Sound level min. 40 dBA / max. 56 dBA normal mode.

#### Planning notes

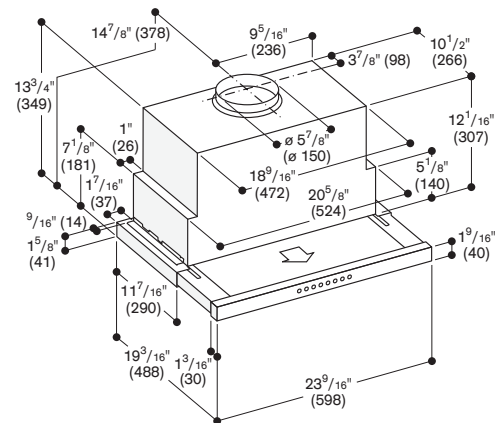
No mounting set required for 24" AF 210 visor hood. For 36" AF 210 visor hood AA210491 mounting set is required. When lowering frame for 36" AF 210 visor hood is used, mounting set is not required.  
A flexible duct (Part # 00361093) is needed when installed with lowering frame.  
Patented air recirculation kit with activated charcoal filter can be installed in the upper cabinet. The activated charcoal filter can be changed from the front by simply pulling out the filter.  
The door of the upper cabinet must be accessible in order to exchange the activated charcoal filter.

To be installed in an upper cabinet without base.  
The required cavity depth of the upper cabinet together with the lowering frame measures 13 3/16".  
The required cavity height of the upper cabinet together with the lowering frame measures 23 5/8".  
Minimum clearance above gas cooktops 25 1/2". If the instructions for installation for the gas cooktop specify a greater distance, this must be adhered to.  
Minimum clearance above electric cooktops 17".

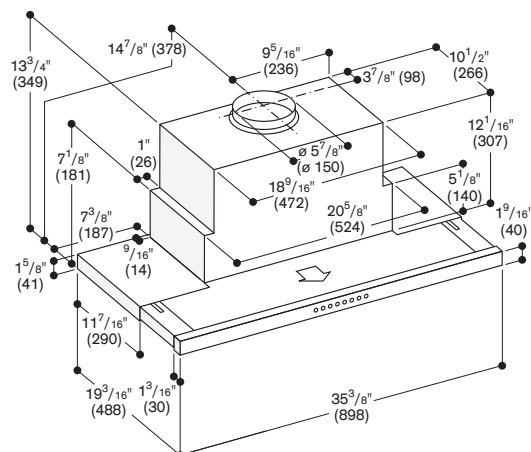
#### Rating

Total rating: 430 W  
Total Amps: 10 A.  
120 V / 60 Hz  
Connecting cable 35.4" with plug.

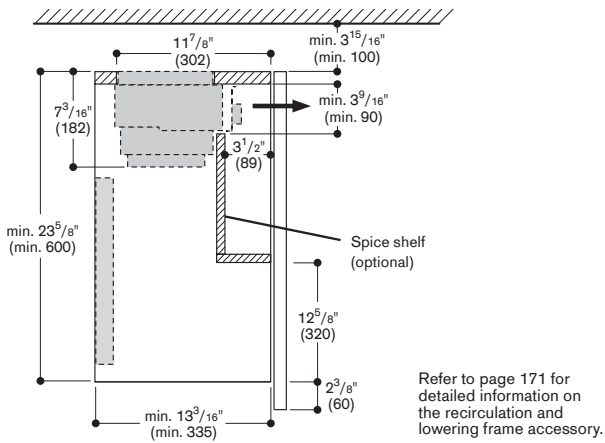
#### Measurement drawing of 24" AF visor hood



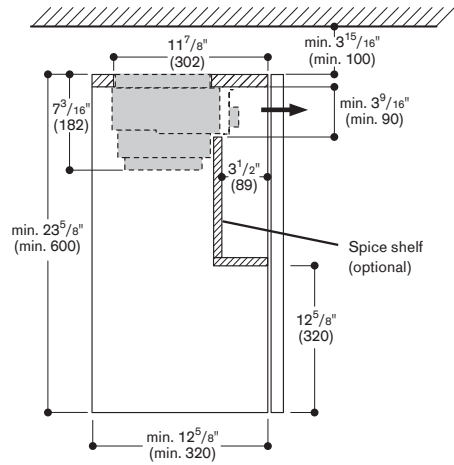
#### Measurement drawing of 36" AF visor hood



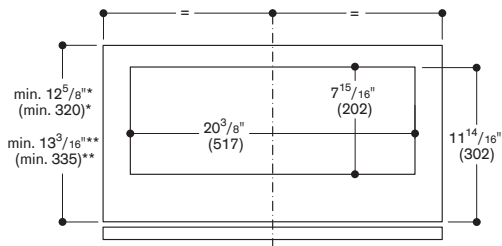
**Cross-section of upper cabinet with AA 211 812 recirculation kit and lowering frame AA 210 490/460**



**Cross-section of upper cabinet with AA 211 812 recirculation kit**

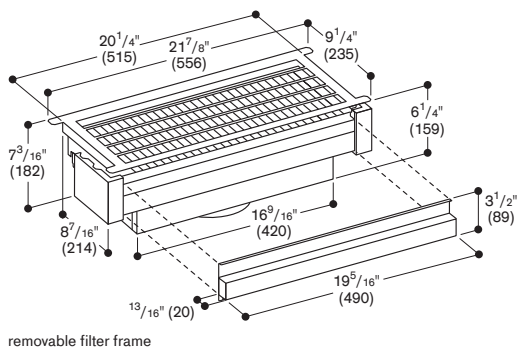


**View from above of upper cabinet with AA 211 812 recirculation kit**



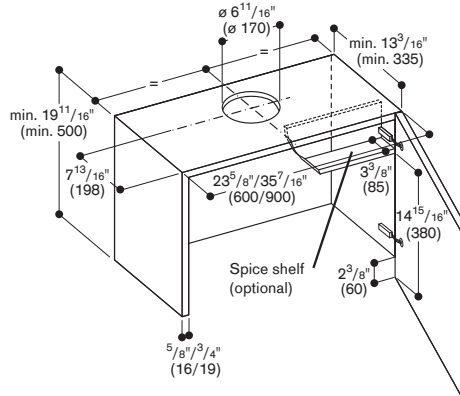
\* only appliance  
\*\* Appliance with lowering frame AA 210 490/460

**AA 211 812 recirculation kit**

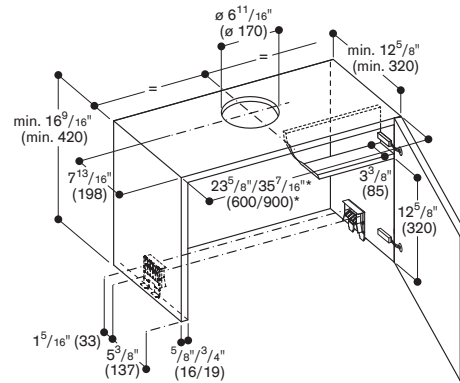


Numbers indicated  
inside parenthesis ( ) = mm

**Upper cabinet for AF visor hood with lowering frame AA 210 460/ AA 210 490**



**Upper cabinet for 24"/36" AF visor hood**



\* for a 36" (90 cm) upper cabinet the mounting set AA 210 491 is required

**Upper cabinet for 36" AF visor hood with AA 210 491 mounting set**

