



AL 400 722

Stainless steel
Width 46 5/8" (120 cm)
Air extraction / Air recirculation
Two blowers required.

AL 400 792

Stainless steel
Width 36" (90 cm)
Air extraction /
Air recirculation
Single blower required.

Necessary installation accessories
Depending on the connection option (front, back, or bottom) one of the following accessories must be ordered.

AD 754 049

Connecting piece for AL 400
Metal zinc coated
DN 150 round

AD 854 050

Connecting piece for AL 400
Metal zinc coated
DN 150 flat

Installation accessories

AA 409 401

Countertop support for AL 400 792 retractable downdraft.

AA 409 431

Countertop support for AL 400 722 retractable downdraft.

AD 704 050

Air collector box for AL 400
Metal zinc coated
DN 150 flat

Retractable downdraft

AL 400

- Extendable downdraft ventilation, when not in use can be completely lowered into the countertop
- Can be combined perfectly with all Vario cooktops 400 series
- Dimmable, neutral white surface LED light for ideal illumination of the cooktop
- Precision crafted 3 mm stainless steel
- For surface mounting with a visible edge or for flush mounting
- Motorless, to be combined with Gaggenau blower(s)

Output

Power levels depend on the blower selected.

Noise level depends on built in situation and blower(s) selection.

Features

3 electronically controlled power levels and 1 intensive mode.

Interval ventilation, 6 min.

Run-on function, 6 min.

Grease filter saturation indicator.

2 large-scale metal grease filters included, easy to remove and dishwasher-safe.

Grease drip trays, easy to remove and dishwasher-safe.

Neutral white surface LED light (3600 K), continuously dimmable.

Lamp output 2 x 10 W.

Illuminance 400 lx.

Flexible connection options to the selected blower: at the bottom, at the front or at the back.

In all the options, it is possible to have space for drawers in front of the retractable downdraft ventilation.

Planning notes

AL 400 792 : Combinable with all cooktops Vario 400 series, 400 series and 200 series. Maximum cooktops width: 36" (90 cm).

AL 400 722 : Combinable with all cooktops Vario 400 series and 400 series.

Maximum cooktops width: 46 5/8" (120 cm).

It is recommended to use two inline, remote, or recirculation blower units with the AL 400 722 so that sufficient vapor capture will be ensured.

Depending on the type of installation, the corresponding accessories must be ordered separately.

Air recirculation is not recommended in combination with Vario electric grill. Operation of Vario cooking appliances only possible without appliance cover.

Max. output of cooktops 61,400 BTU (18 kW).

The retractable downdraft must have its own cooktop cut-out and must be 1 15/16" (50mm) apart from the cooktop.

The bearing capacity and stability, in the case of thin countertops in particular, must be supported using suitable substructures.

Take into account the appliance weight

and additional loads.

The remaining surface of the countertop min 1 15/16" (min. 50 mm) between the cut-outs must be reinforced with a support. It is recommended to use countertop support AA 409 401/431.

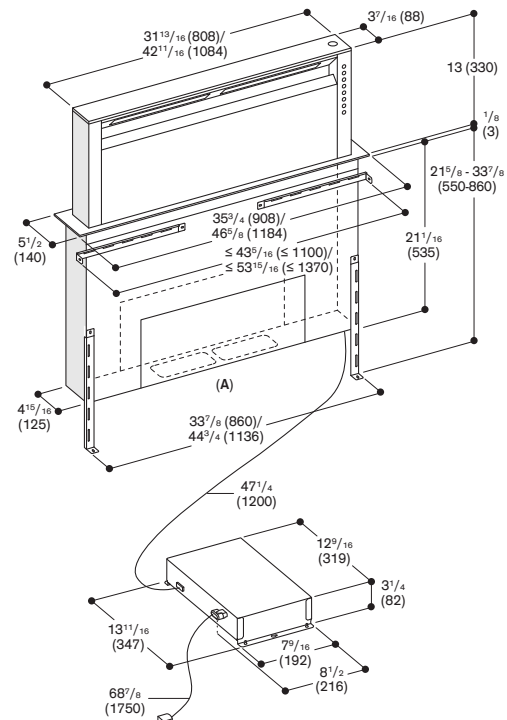
Additional instructions for flush mounting:

Installation is possible in countertops made of stone, synthetics or solid wood. Heat resistance and watertight sealing of the cut edges must be observed. Concerning other materials please consult the countertop manufacturer. Depending on the type of installation, ovens can be combined with the table ventilation.

The control unit should be accessible and be secured to a panel of the cabinet that avoids any risk of flooding.

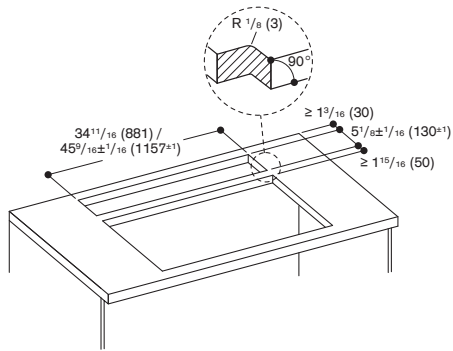
Connection

Total connected load 65 W
Connecting cable 68" (1.7 m) with NEMA 5-15P plug.
Network cable 47" (1.2 m).

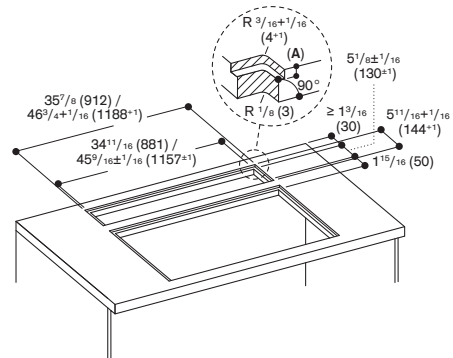


A: Flexible connection of the hood at the front, the back, or at the bottom

Surface-mount Installation

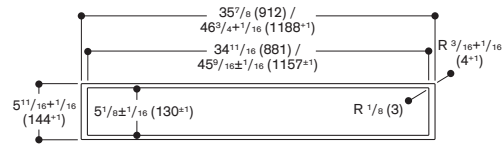


Flush-mount Installation

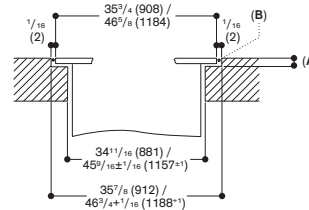


A: $1/8''$ (3.5 $^{0.5}$ mm)

View from above

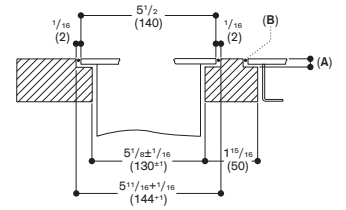


Longitudinal section



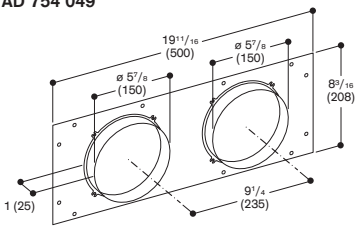
A: $1/8''$ (3.5 $^{0.5}$ mm)
B: Fill with silicone

Cross-section

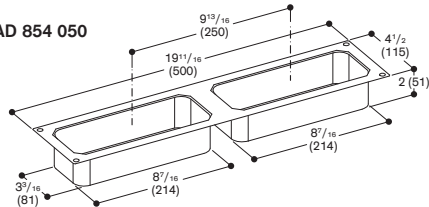


A: $1/8''$ (3.5 $^{0.5}$ mm)
B: Fill with silicone

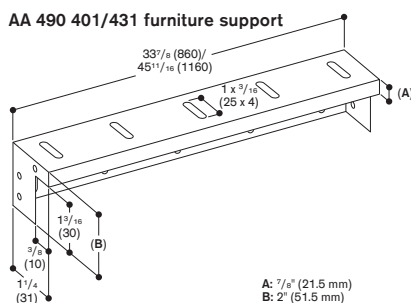
AD 754 049



AD 854 050



AA 490 401/431 furniture support



A: $7/8''$ (21.5 mm)
B: $2''$ (51.5 mm)

AD 704 050

