



AR 410 710

Metal housing
 Max. air output 400 CFM
 Air recirculation
 Works with AL 400 retractable
 downdraft and VL 200 downdraft

Installation accessories

AA 410 112
 2 regenerable activated charcoal filter
 For air recirculation.

Installation accessories and
 planning guides can be found on
 the following pages:

For AL 400 712, see page 162.
 For VL 200 120, see page 187.

400 and 200 series recirculation blower

AR 410

- Powerful recirculation blower to combine with 200 series Vario downdraft and 400 series AL 400 retractable downdraft ventilation
- Efficient BLDC technology
- Particularly quiet due to patented noise insulation
- Compact, space-saving installation

Output

Performance output level 3/Intensive.
 Sound power and sound pressure
 depending on built-in situation.
 Air recirculation: 400 CFM.

Features

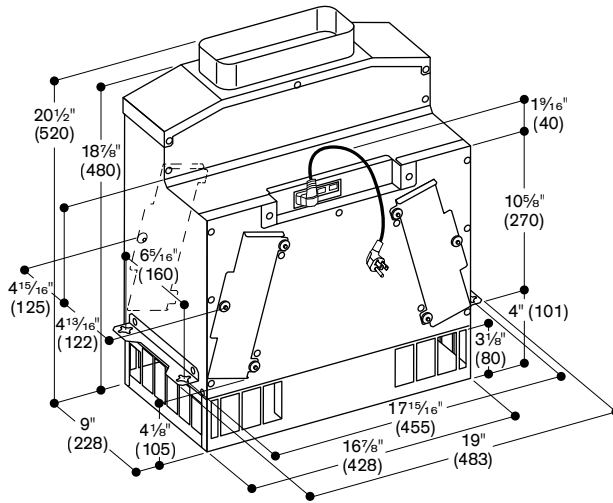
3 electronically controlled power levels
 and 1 intensive mode.
 Fan technology with highly efficient,
 brushless DC motor (BLDC).
 Including sound insulation to minimize
 the noise level.
 Steel housing, zinc-plated.
 Pipe connection piece on intake side:
 1 x DN 150 flat duct.
 Retaining bracket for installation at the
 cabinet base enclosed.
 2 regenerable activated charcoal filters
 enclosed.
 Extended change interval of the
 activated charcoal filter: regenerable
 up to 30 times.
 Regenerable in the oven at 400 F.

Planning notes

Powerful recirculation blower to
 combine with VL200 Vario downdraft
 ventilation.
 Connection to VL200 downdraft via
 network cable.
 Installation in a base cabinet possible
 with a cut-out in the cabinet base or
 behind the cabinet positioned on the
 floor. To replace the filter the blower
 must be accessible.
 The filter exchange is possible from
 both sides of the blower.

Rating

Total rating: 170 W.
 Total Amps: 10 A.
 Connecting cable 68 7/8" with plug.
 78" network cable included.



Measurements in inches (mm)

Filter exchange

