



AR 413 722

Recirculation blower
500 CFM

Air recirculation

For installation in 4" toe-kick.

For air recirculation operation

additional accessories are required:

AA 413 722 recirculation kit and

AD 413 722 oval aluminum flex duct to

connect to AR 413 722 recirculation

blower.

Required installation accessories

AA 413 722

Recirculation kit with 2 activated charcoal filters. Must be installed with AR 413 722 recirculation blower and AD 413 722 oval aluminum flex duct. Installation together with recirculation blower in a 4" high toe-kick.

AD 413 722

Oval aluminum flex duct.

DN 10 15/16". Length: 39 3/8".

Must be used to combine AR 413 722 recirculation blower with AA 413 722 recirculation kit.

Installation accessories

AD 754 048

Transition box with two ø 6" round

intakes to one ø 8" round outlet.

Used in installation with 2x VL 414 downdraft to connect 2x round ducts to AR413722 blower (see drawing on page 149 example 1).

AD 704 048

Transition box with two ø 6" round

intakes to one ø 8" round outlet.

Required for installation with AL 400 retractable downdraft to connect 2x round ducts to AR413722 blower (see drawing on page 142), example 4).

AA 010 410

Air exhaust grill for air recirculation mode

Stainless steel-colored, 36", including installation fittings, height adjustable.

Optional accessories

AA 413 110

2 additional activated charcoal filter with high efficient odor reduction due to large surface. For use with AA413722 recirculation kit.

400 series recirculation blower

AR 413

- Powerful blower for combination with 400 series AL 400 retractable downdraft and VL 414 downdraft
- Quiet blower with high-efficiency BLDC technology
- Compact and space-saving due to installation in a 4-inch high toe-kick

Output

3 performance output levels and Intensive mode: Sound power and sound pressure depending on built-in situation.

Air recirculation: 500 CFM

Power levels depend on the ventilation system.

Features

3 electronically controlled power levels and one intensive mode.

Blower technology with highly efficient, brushless DC motor (BLDC). Metal housing.

Duct connection pieces on intake side: 1x ø 6" round.

Retaining bracket for ceiling installation or installation on the inner side of a cabinetry comes included with the blower.

Planning notes

This blower can only be combined with 400 series ventilation systems such as AL 400 retractable downdraft and VL 414 downdraft.

Additional accessories for recirculation operation are required:

AA 413 722 recirculation kit with 2 activated charcoal filters and AD413722 oval aluminum flex duct to connect recirculation kit with recirculation blower AR413722.

The AR413722 recirculation must be connected to AA413722 recirculation kit via AD413722 oval flex duct.

Connection to the respective appliances via network cable. Network cable is included with AR413722 recirculation blower.

Installation in a 4-inch high toe-kick with cut-out on the cabinet base to connect blower to the duct work of respective ventilation appliance.

Installation with 2x VL 414 downdraft: to connect 2x VL 414 downdraft with AR413722 recirculation blower, transition box AD754048 can be used (see page 142, example 4) or a Y-connector (can be purchased at local hardware store).

Transition box AD704048 required to connect 2x ducts coming from AL 400 retractable downdraft with AR413722 recirculation blower (see page 149, example 1).

Odor reduction comparable to air extraction mode (95%).

Filter replacement interval of recirculation kit: 1 - 1 1/2 years depending on cooking frequency. Toe-kick must be accessible in order to replace filters.

Recommended minimum gap between filter openings and cabinet wall if there is no ventilation grill directly in front: 6".

Rating

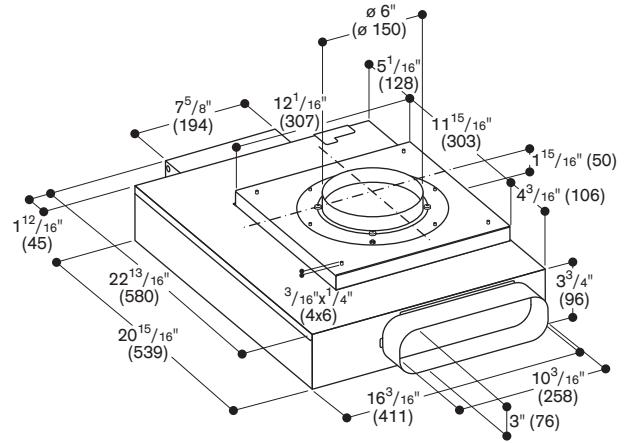
Total rating: 170 W.

Total amps: 10 A.

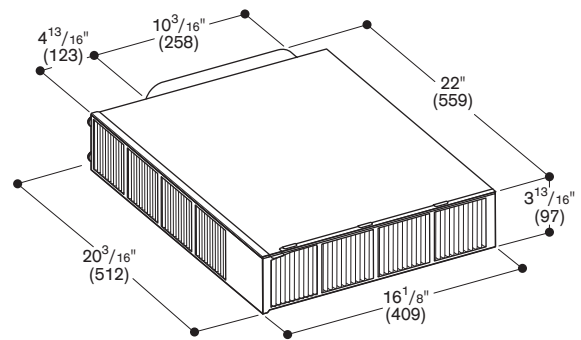
120 V / 60 Hz.

Connecting cable 69" with plug. 6.5' network cable included.

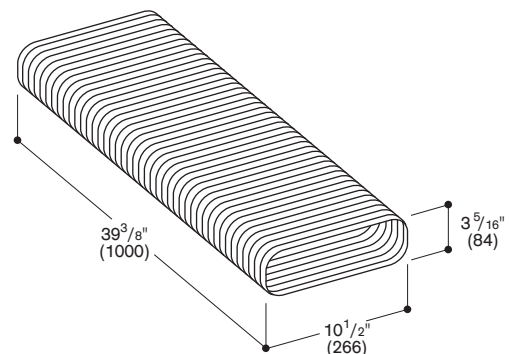
Recirculation blower AR 413 722



Recirculation kit AA 413 722



Aluminum flex duct AD 413 722



Numbers indicated
inside parenthesis () = mm