



AW 442 720

Stainless steel
 Width 48" (120 cm)
 Air extraction/recirculation
 Without blower. (Choose from 400 series AR400743 internal, AR400742 inline or AR401742 remote blower.)
 Duct cover not included.

AW 442 760

Stainless steel
 Width 63" (160 cm)
 Air extraction/recirculation
 Without blower. (Choose from 400 series AR400743 internal, AR400742 inline or AR401742 remote blower.)
 Duct cover not included.

Installation accessories for exhaust air mode

AD 442 012

Stainless steel duct cover, length: 24 7/16", for 7' 9" - 8' 6" ceiling heights (2.35 - 2.60 m).

AD 442 022

Stainless steel duct cover, length: 33 7/8", for 8' 6" - 10' 2" ceiling heights (2.60 - 3.10 m).

Installation accessories for recirculation air mode

AD 442 112

Stainless steel duct cover, length 24 7/16", for 7' 9" - 8' 6" ceiling heights (2.35 - 2.60 m).

AD 442 122

Stainless steel duct cover, length: 33 7/8", for 8' 6" - 10' 2" ceiling heights (2.60 - 3.10 m).

AA 442 810

Recirculation kit including two activated charcoal filters with highly efficient odor reduction. For installation on the inner duct cover (see adjacent drawing).

Optional accessories

AA 442 110

2 activated charcoal filter with highly efficient odor reduction. For use with recirculation kit AA442810.

AD 442 392

Stainless steel ceiling collar, covers screws on duct cover and uneven gaps of ceilings that are not completely flat.

400 series wall hood

AW 442

- Professional technology hood combined with classic Gaggenau design
- Highly efficient extraction of cooking vapors due to a large vapor collection area
- Comes without blower, can be combined with Gaggenau's highly performing and highly efficient brushless DC (BLDC) blowers
- Angled baffle filter with high grease absorption level
- Automatic function, sensor-controlled power adjustment depending on the build-up of cooking vapors
- Dimmable, warm white LED lighting for ideal illumination of the cooking surface
- Air extraction or recirculation system
- Recirculation kit with activated charcoal filters: quiet and highly efficient recirculation solution with odor reduction as in air extraction mode, and long replacement intervals.

Output

For CFM information, refer to the blower overview on pages 180-181.

Features

Three electronically controlled power levels and one intensive mode. Automatic function with sensor-controlled delayed shut-off function. Grease filter saturation indication through flashing light. Baffle filter, dishwasher-safe. Warm white surface LED light (3,500 K), continuously dimmable. Lamp output 3x LED light bars 10 W. Illuminance 1,110 lx (48") / 1,010 lx (63"). Easy mounting system for simple installation and alignment.

Planning notes

For recirculation, use internal blower AR400743.

To chose the correct blower for extraction, refer to the 400 series blower overview on pages 180-181.

The two-part duct cover must be ordered as a separate installation accessory.

Connection to the respective blower via network cable.

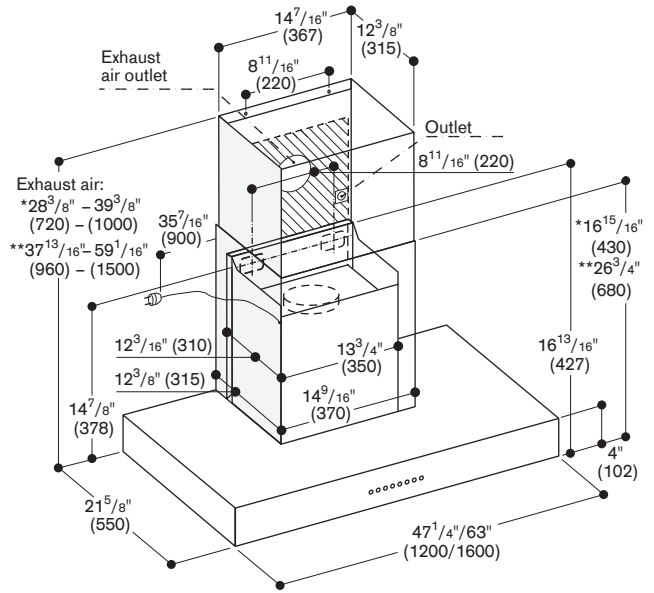
Minimum clearance above gas cooktops 30".

Minimum clearance above electric cooktops 28".

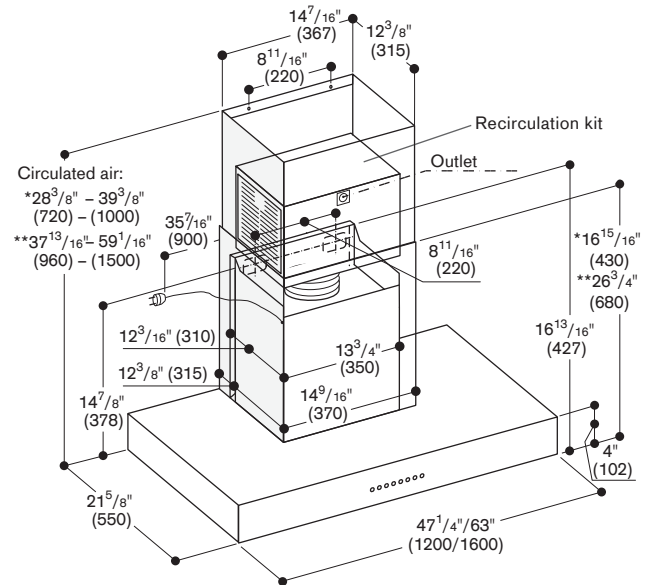
Air recirculation kit with 2 activated charcoal filters is installed in the inner duct cover. Special recirculation duct covers are available.

Rating

Total rating: 40 W (48") / 50 W (63").
 Total Amps: 10 (48") / 15 (63")
 120 V / 60 Hz
 Connecting cable 3' 5" with plug.

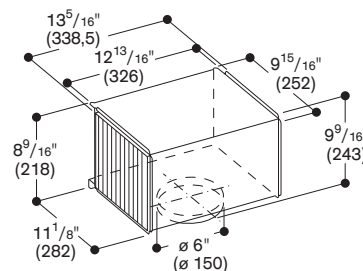


- * With the exhaust air duct cover AD 442 012 suitable for ceiling heights of 7.6 ft (2.35 m) to 8.6 ft (2.60 m).
- ** With the exhaust air duct cover AD 442 022 suitable for ceiling heights of 8.6 ft (2.60 m) to 10.2 ft (3.10 m); specifications refer to a distance from floor to lower chimney edge of 5.2 ft (1.60 m).



- * With the air recirculation duct cover AD 442 112 suitable for ceiling heights of 7.6 ft (2.35 m) to 8.6 ft (2.60 m).
- ** With the air recirculation duct cover AD 442 122 suitable for ceiling heights of 8.6 ft (2.60 m) to 10.2 ft (3.10 m); specifications refer to a distance from floor to lower chimney edge of 5.2 ft (1.60 m).

Recirculation kit AA 442 810



Numbers indicated inside parenthesis () = mm