



Controls on top

**Left-hinged only**

**CM 470 712**

Stainless steel-backed full glass front

Width 24" (60 cm)

#### Included accessories

- 1 assembly screws
- 1 scoop
- 1 water hardness test strip
- 1 milk container (insulated) 17 oz (0.5 liters)
- 1 connection hose for milk frother
- 1 milk tube
- 1 bean container with lid

#### Optional accessories

**(order as spare parts):**

**Part No. 17000705**

Water filter

**Part No. 00311819**

Descaling tablets

**Part No. 00311769**

Cleaning tablets

**Part No. 00636455**

Door hinge restrictor

(92° opening angle)

**Part No. 11005967**

Stainless steel milk container

**Part No. 11015223**

Bean container with lid

#### 400 series plumbed, fully automatic espresso machine

CM 470

- **Handleless door / automatic door opening**
- **Fixed inlet and outlet water connection**
- **Continuous flow heater means no waiting time and constant brewing temperature**
- **Aroma brewing technology for a full aroma**
- **Single portion cleaning**
- **TFT touch display**
- **Centralized controls for easy use and intuitive operation**
- **One-touch operation**
- **Personalization function**
- **Seven light settings**
- **Electronic fill level control for milk, water and coffee to ensure a perfect result**

#### Type of beverage

- Ristretto / 2 x Ristretto.
- Espresso / 2 x Espresso.
- Espresso Macchiato / 2 x Espresso Macchiato.
- Coffee / 2 x Coffee.
- Americano / 2 x Americano.
- Caffe Latte / 2 x Caffe Latte.
- Latte Macchiato / 2 x Latte Macchiato.
- Cappuccino / 2 x Cappuccino.
- Flat White / 2 x Flat White.
- Milk froth / 2 x Milk froth.
- Warm milk / 2 x Warm milk.
- Hot water / 2 x Hot water.

#### Operation

Automatic door opening to the left. Rotary knobs and TFT touch display operation. Clear text display in 44 languages. Personalization function, option to save 8 individualized beverages. 4 beverage size settings from small to extra large; can be individually adjusted to match the size of the cup. 8 coffee strength levels from very mild to extra strong. 3 coffee temperature levels. 10 hot water temperature levels. 4 coffee-milk ratio levels. Adjustable grinding level. Height-adjustable coffee dispenser 2 3/4" - 5 7/8". Easy access to water tank, milk and coffee bean container behind the door.

#### Features

Maintenance-free grinding unit with ceramic discs. Separate drawer for second ground coffee type. Water pump with 275 psi (19 bar) pressure. Double grinding and brewing cycles for extra intensity for single beverage order. For double beverage order, two grinding and brewing cycles. Beverage dispenser with integrated milk system. Insulated stainless steel milk container for up to 17 oz. (0.5 liters). Integrated LED lighting. Removable 1.1 lbs. (0.5 kg) bean container with aroma lid, allows for an effortless exchange of different types of coffee beans. Automatic adjustment of ground coffee quantity. Removable 81 oz. (2.4 liter) water tank.

Drain connection: 3/4"

67" long (1.7 m) rubber outlet hose included

Drain size: 1 1/2" diameter minimum.

Vacuum break recommended.

Ensure a 6" minimum drop to connect to the drain line to ensure proper drainage.

#### Rating

Total rating: 1,600 W.

Total Amps: 10 A

120 V / 60 H

Connecting cable 39" with three-prong plug (NEMA 5-15P).

Plan for a LAN cable or connect via WiFi.

Electronic water filter exchange indicator. Electronic fill level control for drip tray and container for coffee residue.

Home network integration for digital services (Home Connect) either via cable connection LAN (recommended) or wireless via WiFi.

The use of the Home Connect functionality depends on the Home Connect services, which are not available in every country. For further information please check: [home-connect.com](http://home-connect.com).

#### Safety

Child lock.

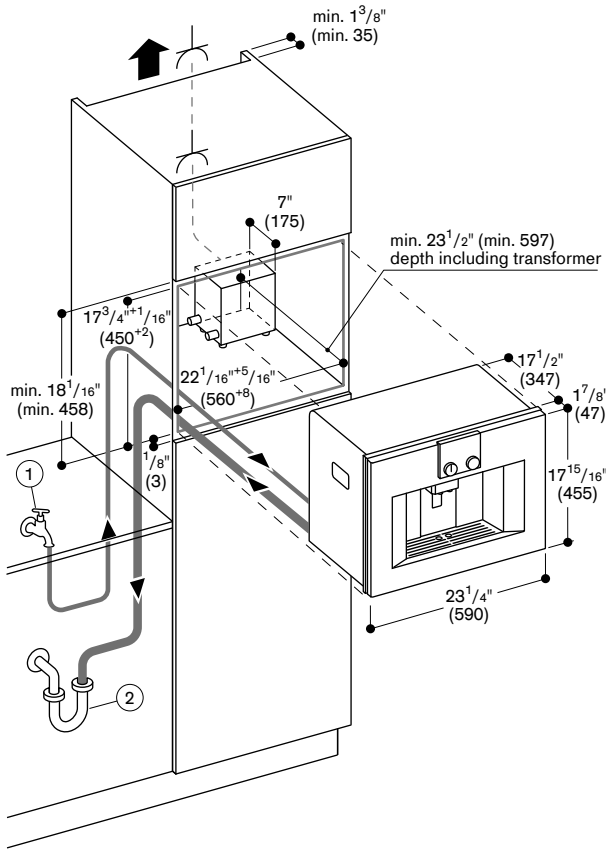
Aqua stop.

#### Cleaning

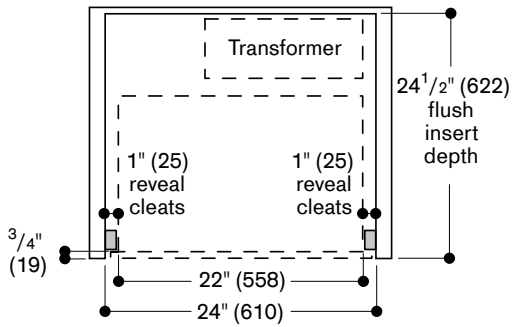
Fully automatic rinse program when machine is turned on/off. Automatic steam cleaning of the milk system after every beverage. Automatic cleaning and descaling program. Emptying program to prepare the appliance for holiday or transportation. Removable brewing unit. Coffee residue container and drip tray dishwasher-safe. Beverage dispenser dishwasher-safe.

#### Planning notes

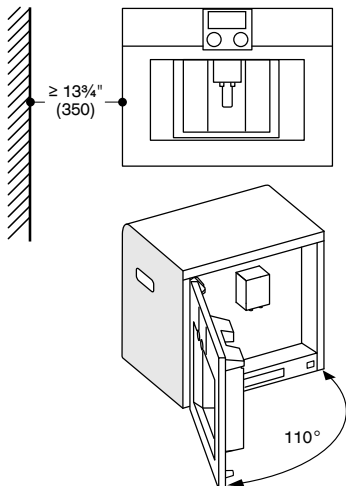
Ideal installation height 3.1 ft - 4.8 ft. (top edge of bottom cut-out). The front of the appliance extends 1 7/8" from the furniture cavity. When installing in a corner a side clearance is required. Door opening angle approx. 110° (delivery status) - mounting distance to the wall has to be at least 13 3/4". Door opening angle approx. 155° - mounting distance to the wall has to be at least 25 9/16". Door opening angle approx. 92° - mounting distance to the wall has to be at least 3 15/16" (spare part No. 00636455). Installation directly above WS461 (5 3/8" tall) high warming drawer in 23 1/4" standard cut-out. At no point may the outlet hose be positioned higher than the bottom edge of the appliance. The outlet hose must also be at least 5 7/8" lower than the appliance outlet (see drawing "drainage connection"). If necessary, the transformer can be placed in an adjacent cabinet. Note that the length of the power cable between the transformer and appliance is 23 1/2" (600 mm). If the appliance is placed too far from the main siphon, the drain system has to be adjusted on-site (building installation). The water connection (1) for the inlet hose must always be accessible and not located directly behind the appliance. The connection of the outlet hose to the siphon (2) must not be directly behind the appliance and should be accessible. Water connection: 3/4" inner diameter, 1" outer diameter (cold water only) 65" long (1.65 m) aqua stop inlet hose included.



Top View



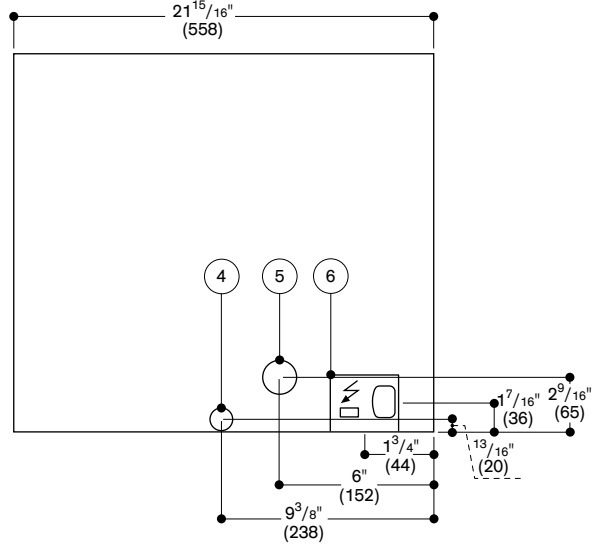
Left corner installation



If using the 92° door hinge restrictor (spare part no. 00636455), the minimum distance from the wall is only 4" (100).

Numbers indicated inside parenthesis ( ) = mm

View from rear



- (4) Water outlet
- (5) Cold-water connection
- (6) Electric terminal box

Drainage connection

