



## RF 411 705

Fully integrated  
Width 18" (45.7 cm)

### Included accessories

- 1 ice cube scoop
- 1 ice storage container, large
- 1 Accessory for side-by-side installation
- 1 supply hose, 47" (1.2 m) with ¼" male compression fitting (standard icemaker connector)

### Installation accessories

**RA 421 115**  
Stainless steel door panel **with handle**  
For 18" (45.7 cm) wide appliances,  
Panel thickness ¾".

**RA 423 140**  
Side trims, long.

**RA 425 110**  
Stainless steel handle for freezer door.  
With 3 mounts, length 44 ½" (1.131 mm).

**RA 428 115**  
Stainless steel door panel, **handleless**  
For 18" (45.7 cm) wide appliances,  
panel thickness ¾".

**RA 460 012**  
Additional side heating element 110 V.  
Required if appliances are installed with  
a distance greater than 5/8" and less than  
6 5/8" next to each other and for all built-in  
situations in a very humid environment.  
Not required if appliances are installed  
more than 6 5/8" apart from each other.

**RA 460 020**  
Connecting element for vertically split  
appliance fronts (for a flush front).

**RA 464 113**  
Ventilation grill stainless steel  
For 18" (45.7 cm) wide appliances  
with filter.

### Optional accessories

**RA 448 220**  
Ice storage container, small.

**RA 450 022**  
Water filter cartridge

**Part #11037377**  
Water filter bypass for home water  
filtration system

## Vario 400 series freezer column RF 411

- Stainless steel interior with solid anthracite aluminium elements
- Warm white and glare-free LED light spots
- Opening assist for door with two options:
  1. Push-to-open function for integration into handleless cabinet front
  2. Pull-to-open function to facilitate opening the door using a handle
- The drawers in the RC and RF models are positioned at the same height. With side-by-side installation, the glass shelves and door bins can be aligned on the same level
- Material and aesthetics of interior as for RC model
  - Glass shelves
  - Solid anthracite aluminium door bins
- Flat stainless steel inner door, full-length
- Almost invisible rail system for shelves and door bins for flexible positioning
- Integrated automatic ice maker with fixed water connection
- TFT touch display
- ENERGY STAR® certified
- Sabbath mode certified by Star-K
- Net volume 8.6 cu.ft.

**Operation**  
TFT touch display operation.  
Clear text display in 52 languages.

**Features**  
Dynamic cold air distribution with Multi-Flow Air System.  
Automatic defrosting with defrost water evaporation.  
Cushioned door closing system.  
When rest mode is active, the appliance can only be opened using a handle.  
Open-door and malfunction alarm.

Home network integration for digital services (Home Connect) wireless via WiFi. The use of the Home Connect functionality depends on the Home Connect services, which are not available in every country.  
For further information please check: [home-connect.com](http://home-connect.com).

**Freezing**  
No-frost technology with fast freezing at -22 °F (-30 °C).  
Temperature adjustable from 3 °F to -11 °F (-16 °C to -24 °C).  
4 safety glass shelves, white glass, 3 of which are individually height adjustable.  
2 fully extendable drawers with transparent front.  
Brilliant LED light spots with warm white, glare-free light.  
Flat door rail system with fully flexible positioning of door bins.  
4 height-adjustable door bins.

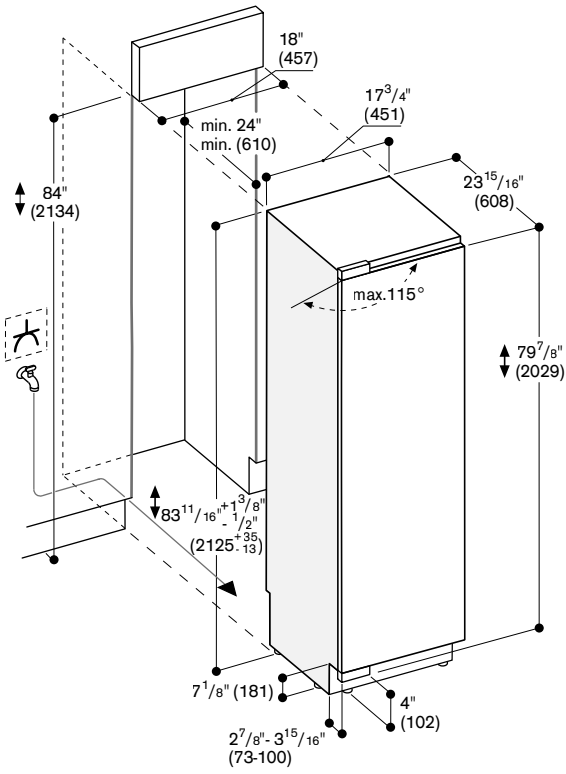
**Ice maker**  
Integrated automatic ice maker in the freezer compartment, with fixed water connection.  
Particle filter for water inlet, integrated in ventilation grill area.  
Saturation indicator shown in TFT touch display.  
Ice maker can be switched off independently.  
Ice cube production approx. 3.1 lb (1.4 kg)/24 h.  
Removable ice storage container with approx. 8.8 lbs. (4 kg) capacity.

**Consumption data**  
Energy consumption 404 kWh/year.  
Noise level 42 dB(A) re 1 pW.

**Planning notes**  
Flat hinge.  
Door hinge left, reversible.  
Door opening angle of 115°, fixable at 90°.  
For installation with a door opening angle of 90° the ice storage container must be exchanged for the small ice storage container (RA 448220). This must be done prior to fixing the door. Max. door panel weight 55 lbs (25 kg).  
Shut-off valve for water connection must be planned next to the appliance and always be accessible.  
If the water pressure exceeds 116 psi, connect pressure relief valve between water tap and hose set.

**Rating**  
Total rating: 1,100 W/24h.  
Total Amps: 10 A.  
120 V / 60 Hz  
Connecting cable 118" (3.0 m), detachable.  
Cold water connection required.  
Electrical location 6" above ground in lower left corner of unit.  
Supply hose 47" (1.2 m) with ¼" male compression fitting (standard icemaker connector).  
Water pressure 29 to 116 psi.





The door face dimensions are designed for a maximum gap of 1/8" (3 mm).