



RF463707
Vario freezer 400 series
Fully integrated, panel ready, with ice and water dispenser
Niche width24"(61 cm)
Left-hinged

Stainless steel interior with solid anthracite aluminium elements
 Warm white and glare-free LED light spots
 Opening assist for door with two options:
 1. Push-to-open function for integration into handleless furniture front
 2. Pull-to-open function to facilitate opening the door using a handle
 The drawers in the RC and RF models are positioned at the same height.
 With side-by-side installation, the glass shelves and door racks can be aligned on the same level
 Flat stainless steel inner door, full-length
 Integrated automatic ice maker with fixed water connection
 Proximity sensor for ice and water dispenser
 Illuminated dispenser for ice cubes, crushed ice and chilled water
 TFT touch display
 Net volume11.2 ft3cu.ft. (318) litres
 Energy Star certified

Operation
 TFT touch display operation.
 Clear text display in 44 languages.
 Touch key operation for ice and water dispenser.

Technical Features
 Dynamic cold air distribution with Multi-Flow Air System.
 Automatic defrosting with defrost water evaporation.
 Cushioned door closing system.
 Sabbath mode certified by Star-K.
 When rest mode is active, the appliance can only be opened using a handle.
 Open-door and malfunction warning system.
 Home network integration for digital services (Home Connect) wireless via WiFi.
 The use of the Home Connect functionality depends on the Home Connect services, which are not available in every country. For further information please check: home-connect.com.

Freezer compartment
 No-frost technology with fast freezing at -22 °F.
 Temperature adjustable from 3 °F to -11 °F.
 4-star freezer compartment.
 Freezing capacity8.7 kg/24 h.
 4safety glass shelves, white glass,2of which are individually height adjustable.
 2 fully extendable drawers with transparent front.
 Brilliant LED light spots with warm white, glare-free light.

Ice and water dispenser
 Warm white LED lighting.
 Proximity sensor for automatic activation of light and touch keys for ice and water dispenser.
 Integrated, with fixed inlet water connection.
 Particle filter for water inlet, integrated in ventilation grille area.
 Saturation indicator shown in TFT touch display.

Product Features
Multi-Flow Air Tower
 Yes
Number of compressors
 1
Number of independent cooling systems
 1
Eco Mode
 Yes
SUPERFREEZE
 No
Number of Door Bins - Freezer
 0
Adjustable Door Bins - Freezer
 No
Tilt-Out Door Bins - Freezer
 No
Number of Shelves - Freezer
 2
Adjustable Door Bins - Freezer
 No
Shelf Material - Freezer
 Safety glass
Door Hinge
 Left
Reversible Door Hinge
 No

Consumption and connection features
UPC code
 825225961161
Variant color
 Not applicable
Panel ready
 Yes
Installation Type
 N/A
Silence level (dBA)
 42
Watts (W)
 350
Current (A)
 10
Volts (V)
 110-120
Frequency (Hz)
 60
Total annual energy consumption (kWh)
 454.0
ENERGY STAR®
 Yes
Approval certificates
 CSA
Power Cord Length
 118,1"
Plug type
 120V-3 prong
Appliance dimensions (h x w x d) inch
 83 3/4 " x 23 3/4 " x 24"
Required cutout size (HxWxD) (in)
 84" x 24" x 24 3/4"
Appliance Width (in)
 23 3/4 "
Height (in)
 83 3/4 "
Depth (in)
 24"
Product packaging dimensions (HxWxD) (in)
 84.25 x 27.36 x 29.92
Total unit gross capacity (cu. ft.) - AHAM
 11.2
Net weight (lbs)
 334.000
Gross weight (lbs)
 367.000

2021-01-03
 Page 1

Ice maker can be switched off independently.
 Ice cube production approx. 2.9 lb (1.1 kg)/24 h.
 Ice cubes and crushed ice.
 Removable ice storage container with approx. 6.6 lbs. (3.2 kg) capacity.
 Chilled water supply approx.1.3litres.

Consumption data
 Energy consumption453.98 kWh/year.
 Noise level42 dB(re 1 pW).

Planning notes
 Flat hinge.
 Door opening angle of 115°, fixable at 90°.
 Max. door panel weight 147 lbs. (67kg).
 Shut-off valve for water connection must be planned next to the appliance and always be accessible.
 If the water pressure exceeds 116 psi, connect pressure relief valve between water tap and hose set.

Rating
 Total rating 1.079 kWh/24 h.
 Total Amps:10 A.
 Connecting cable 118" (3.0 m), detachable.
 Cold water connection required.
 Electrical location 6" above ground in lower left corner of unit.
 Supply hose47,2 INCH(1.2 m) with 1/4" male compression fitting (standard icemaker connector).
 Water pressure 29 to 116 psi.

Color Variants
RF463707
Fully integrated, panel ready, with ice and water dispenser
Niche width24"(61 cm)

Included accessories
 1 x connection set.

Optional accessories
RA450022

Installation Accessories
RA422611
 Stainless steel door panel with handle
RA423140
RA425110
 Long stainless steel door handle
RA428811
 Stainless steel door panel, handleless
RA460012
RA460020
 Connecting element for vertically split appliance fronts (for a flush front)
RA464618
 Ventilation grill, stainless steel



RF463707

Vario freezer 400 series

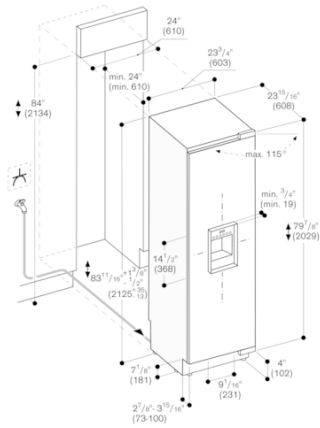
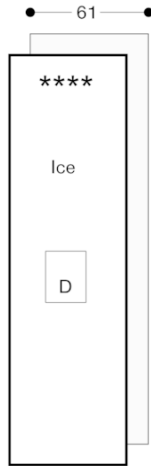
Fully integrated, panel ready, with ice
and water dispenser

Niche width 24" (61 cm)

Left-hinged

2021-01-03

Page 2



The maximum door front dimensions are based on a clearance of 28mm.