



VG 231 220CA

Black control panel
Width 12" (28 cm)
Natural gas.

For conversion to LP gas, LP kit (part#10009475) must be ordered.

Included accessories

1 wok attachment ring

Installation accessories

VV 200 010

Stainless steel connection strip for combination with other Vario appliances of the 200 series

VV 200 020

Black connection strip for combination with other Vario appliances of the 200 series

Optional accessories

VD 200 020

Black appliance cover

WP 400 001

Wok pan made of multiple-layer material

With round bottom and handle, \varnothing 14 $\frac{9}{16}$ " , 6.3 qt., height 4".

Vario 200 series gas wok

VG 231

- Can be combined with other Vario 200 series products
- Control panel for comfortable and secure operation
- Mechanical power level regulation for 9 power levels, with exact setting and reproduction of flame size
- Multi-ring burner of solid, heat-resistant brass as used in professional kitchen
- Total output up to 18,800 BTU (5.5 kW)

Cooking zones

1 multi-ring wok burner. 1,000 – 18,800 BTU (300 – 5,500 W), suitable for woks and pots up to \varnothing 12 $\frac{5}{8}$ ".

Operation

Control knobs with illuminated ring. Integrated control panel. One-handed operation. Electric ignition. To close the cover, the cast iron pan support can be easily reversed.

Features

Cast iron pan support. Brass burner rings.

Safety

Thermoelectric safety pilot. Residual heat indication. Operation indicator.

Planning notes

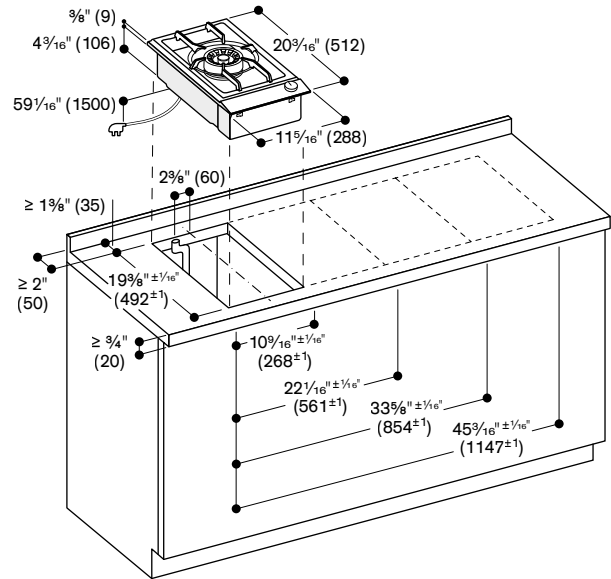
Equipped for natural gas. For conversion to LP gas, LP kit (part#10009475) must be ordered.

Appliance can be snapped into the countertop from above. A minimum clearance of at least 6" (150 mm) from adjacent heat-sensitive cabinet or contact surfaces must be observed or thermal insulation fitted. With a total connected load of more than 37,533 BTU (11 kW) local regulations concerning room ventilation, room size and combination of extraction or recirculation hoods must be observed. Minimum clearance between gas cooktop(s) with more than 37,533 BTU (11 kW) and ventilation hood 27 $\frac{1}{2}$ " (70 cm). Appliance weight: approx. 24 lbs (11kg).

Please read additional planning notes on page 122.

Rating

Total rating: 18,800 BTU.
Total Amps: 1 A.
120 V / 60 Hz
Connecting cable 59" with plug.



Minimum distance from the appliance cut-out to the side wall 11 $\frac{13}{16}$ " (300 mm).

Gas connection

