

**VI 263 620**

Black control panel  
Width 24" (60 cm)

**Included in the price**

1 glass scraper

**Installation accessories**

**VV 200 010**

Stainless steel connection strip for combination with other Vario appliances of the 200 series

**VV 200 020**

Black connection strip for combination with other Vario appliances of the 200 series

**Optional accessories**

**GP 900 001**

Stainless steel frying sensor pan  
Non-stick cooking, for ø 6" cooking zone.

**GP 900 002**

Stainless steel frying sensor pan  
Non-stick coating, for ø 7" cooking zone.

**GP 900 003**

Stainless steel frying sensor pan  
Non-stick coating, for ø 8" cooking zone.

**GP 900 004**

Stainless steel frying sensor pan  
Non-stick coating, for ø 11" cooking zone.

**Vario 200 series induction cooktop**

**VI 263**

- Can be combined with the cooktops of the Vario 200 series to a harmonic unity
- Control panel for comfortable and secure operation

**Cooking zones**

3 cooking zones:

1 induction cooking zone 11" (2,600 W, with booster 3,700 W)

1 induction cooking zone 7" (1,800 W, with booster 3,100 W)

1 induction cooking zone 6" (1,400 W, with booster 2,200 W)

**Operation**

Control knobs with illuminated ring.  
Integrated control panel.

Electronic power control in 9 output levels.

**Features**

Cooking area marking.

Frying sensor function.

Pot detection.

Booster function for each cooking zone.

**Safety**

Residual heat indication.

Operation indicator.

Safety shut-off.

**Planning notes**

Operates with magnetic (induction) iron pots and pans only. For an optimal heat distribution, the use of sandwich bottom cookware is recommended.

Appliance can be snapped into the countertop from above.

Appliance weight: approx. 30.8 lbs (14 kg).

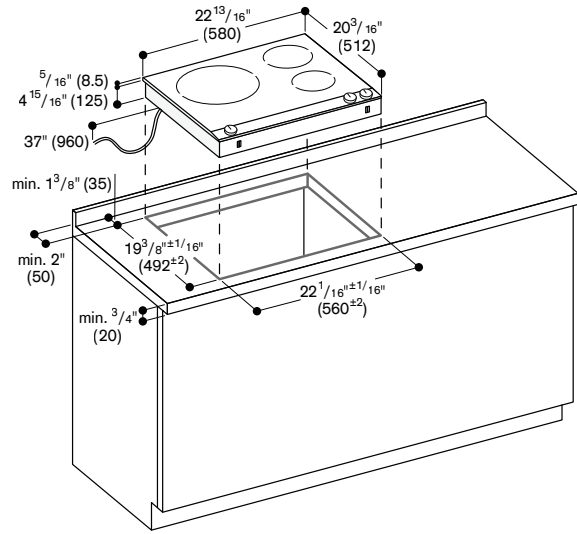
**Rating**

Total rating: 7.4 kW.

Total Amps: 30 A.

208 - 240V / 60 Hz

Plan for 37" connecting cable without plug (hardware required).



Numbers indicated  
inside parenthesis ( ) = mm